

← THERE IS NOT

THERE IS →

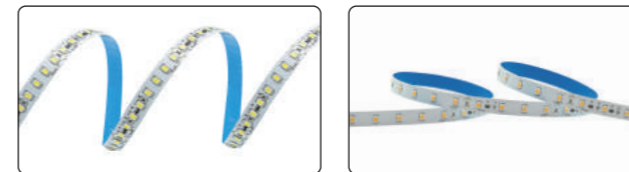
SPARKLE LINEAR LIGHT

Black lens in Trimless, Trimed Recessed, Surface, Pendant solutions over 40 models. More fit for architecture aesthetics.

VIVALYTE B.V.
 Tel.: +32 56 42 65 35
 Mail: info@vivalyte.com Web: www.vivalyte.com
 Add.: Kouterstraat 6, Wevelgem, B-8560, Belgium VAT: BE500611159



▲ RECOMMEND FLEXIBLE LIGHT SOURCE



4000K 5000K 6000K

Model No.		LED QTY	Input Vol.	Power	CRI	Light Source Lumen	Black Lens Lumen	Cuttable length	Max Run
FN-2835-120	Standard	120pcs/m	12/24VDC	9.6W/m	80+/90+	1300lm/m	195lm/m	12V=25mm, 24V=50mm	12V=3m, 24V=6m
	High Efficiency	128pcs/m	24VDC	11.5W/m	80+	1698lm/m	255lm/m	62.5mm	5m
	Short Cut	120pcs/m	24VDC	21.6W/m	80+/90+	1922lm/m	288lm/m	16.7mm	3.5m
FN-2835-60	Standard	60pcs/m	12/24VDC	14.4W/m	80+/90+	1050lm/m	158lm/m	12V=50mm, 24V=100mm	12V=4.5m, 24V=8m
	High Efficiency	64pcs/m	24VDC	7.68W/m	80+	1065lm/m	160lm/m	125	5m
	Long Run	60pcs/m	24VDC	2.4W/m	80+/90+	211lm/m	32lm/m	100mm	50m
	Short Cut	60pcs/m	24VDC	14.4W/m	80+/90+	1239lm/m	186lm/m	33.3mm	5.5m

SL-B101008

VERTICAL SURFACE MOUNTED



RECOMMEND FLEXIBLE LIGHT SOURCE



4000K 5000K 6000K

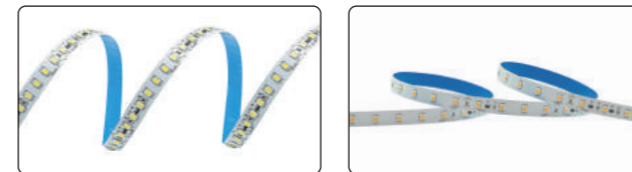
Model No.	FPC Width	LED QTY	Input Vol.	Power	CRI	Light Source Lumen	Black Lens Lumen	Cuttable length	Max Run
MINI FN-2835-60	5mm	60pcs/m	12/24VDC	14.8W/m	80+/90+	100lm/m	15lm/m	12V=50mm, 24V=100mm	12V=3m, 24V=5m
MINI FN-2835-120	4mm	120pcs/m	12/24VDC	9.6W/m	80+/90+	956lm/m	143lm/m	12V=25mm, 24V=50mm	12V=1.5m, 24V=3m
MINI FN-5630-60	5mm	60pcs/m	24VDC	9.6W/m	80+/90+	1900lm/m	285lm/m	100mm	2m

SL-B170912

VERTICAL SURFACE MOUNTED



RECOMMEND FLEXIBLE LIGHT SOURCE

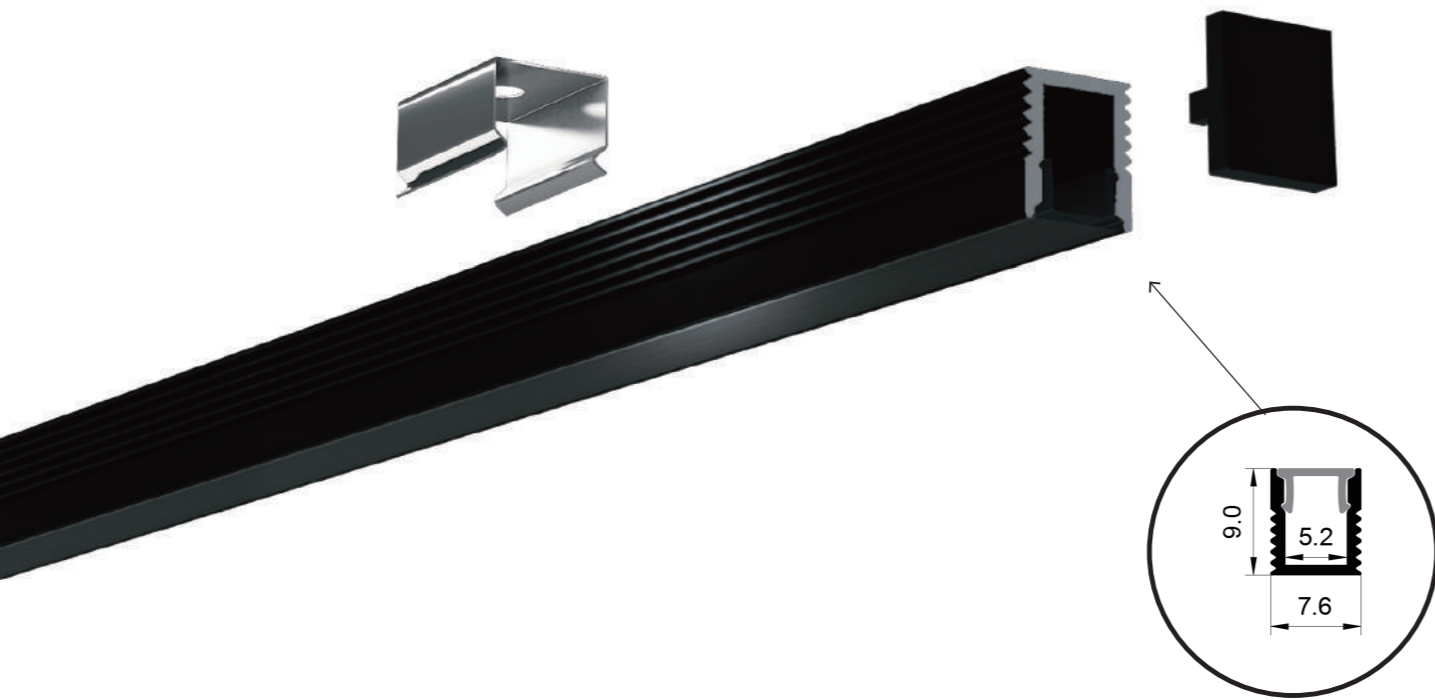


4000K 5000K 6000K

Model No.	LED QTY	Input Vol.	Power	CRI	Light Source Lumen	Black Lens Lumen	Cuttable length	Max Run	
FN-2835-120	Standard	120pcs/m	12/24VDC	9.6W/m	80+/90+	1300lm/m	195lm/m	12V=25mm, 24V=50mm	12V=3m, 24V=6m
	High Efficiency	128pcs/m	24VDC	11.5W/m	80+	1698lm/m	255lm/m	62.5mm	5m
	Short Cut	120pcs/m	24VDC	21.6W/m	80+/90+	1922lm/m	288lm/m	16.7mm	3.5m
FN-2835-60	Standard	60pcs/m	12/24VDC	14.4W/m	80+/90+	1050lm/m	158lm/m	12V=50mm, 24V=100mm	12V=4.5m, 24V=8m
	High Efficiency	64pcs/m	24VDC	7.68W/m	80+	1065lm/m	160lm/m	125	5m
	Long Run	60pcs/m	24VDC	2.4W/m	80+/90+	211lm/m	32lm/m	100mm	50m
	Short Cut	60pcs/m	24VDC	14.4W/m	80+/90+	1239lm/m	186lm/m	33.3mm	5.5m

SL-B080905

VERTICAL SURFACE MOUNTED



RECOMMEND FLEXIBLE LIGHT SOURCE



4000K 5000K 6000K

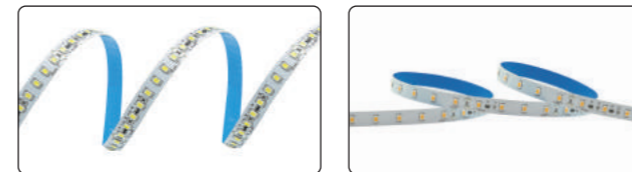
Model No.	FPC Width	LED QTY	Input Vol.	Power	CRI	Light Source Lumen	Black Lens Lumen	Cutttable length	Max Run
MINI FN-2835-60	5mm	60pcs/m	12/24VDC	14.8W/m	80+/90+	100lm/m	15lm/m	12V=50mm, 24V=100mm	12V=3m, 24V=5m
MINI FN-2835-120	4mm	120pcs/m	12/24VDC	9.6W/m	80+/90+	956lm/m	143lm/m	12V=25mm, 24V=50mm	12V=1.5m, 24V=3m
MINI FN-5630-60	5mm	60pcs/m	24VDC	9.6W/m	80+/90+	1900lm/m	285lm/m	100mm	2m

SL-B121210

VERTICAL SURFACE MOUNTED



RECOMMEND FLEXIBLE LIGHT SOURCE

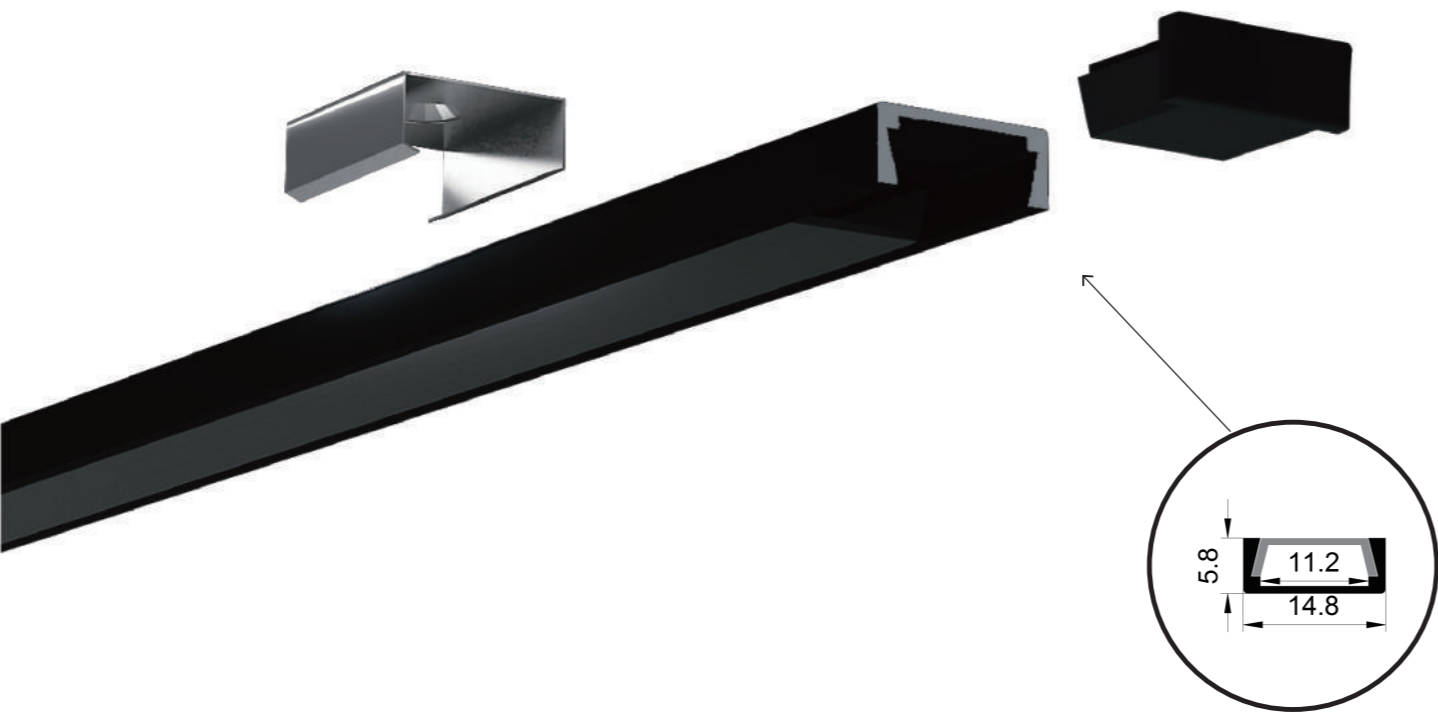


4000K 5000K 6000K

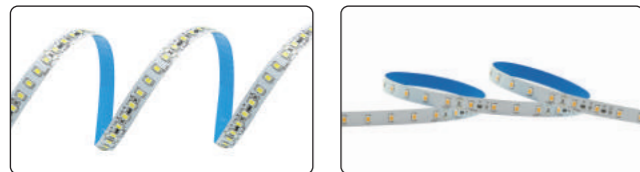
Model No.	LED QTY	Input Vol.	Power	CRI	Light Source Lumen	Black Lens Lumen	Cutttable length	Max Run	
FN-2835-120	Standard	120pcs/m	12/24VDC	9.6W/m	80+/90+	1300lm/m	195lm/m	12V=25mm, 24V=50mm	12V=3m, 24V=6m
	High Efficiency	128pcs/m	24VDC	11.5W/m	80+	1698lm/m	255lm/m	62.5mm	5m
	Short Cut	120pcs/m	24VDC	21.6W/m	80+/90+	1922lm/m	288lm/m	16.7mm	3.5m
FN-2835-60	Standard	60pcs/m	12/24VDC	14.4W/m	80+/90+	1050lm/m	158lm/m	12V=50mm, 24V=100mm	12V=4.5m, 24V=8m
	High Efficiency	64pcs/m	24VDC	7.68W/m	80+	1065lm/m	160lm/m	125	5m
	Long Run	60pcs/m	24VDC	2.4W/m	80+/90+	211lm/m	32lm/m	100mm	50m
	Short Cut	60pcs/m	24VDC	14.4W/m	80+/90+	1239lm/m	186lm/m	33.3mm	5.5m

SL-B150611

VERTICAL SURFACE MOUNTED



RECOMMEND FLEXIBLE LIGHT SOURCE



4000K

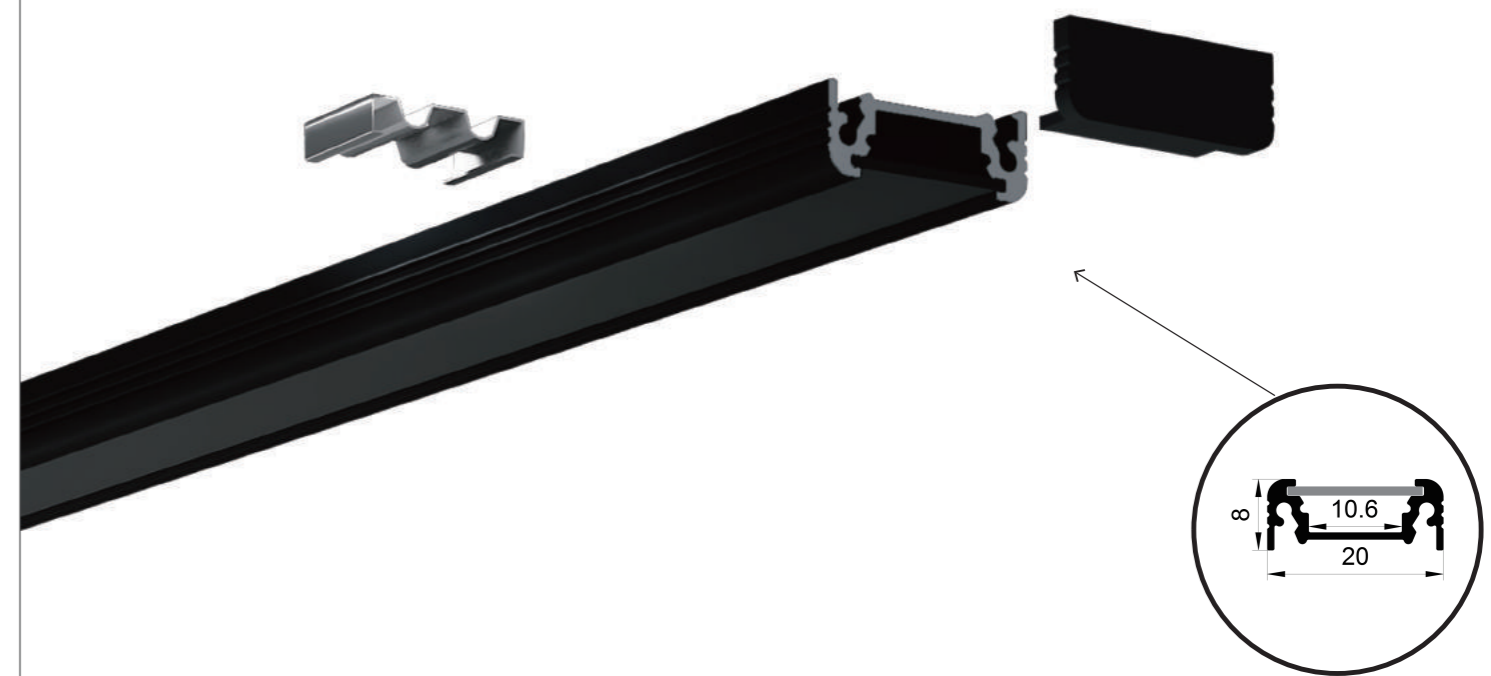
5000K

6000K

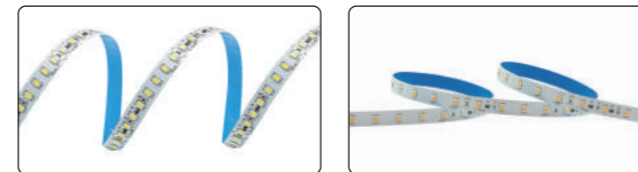
Model No.		LED QTY	Input Vol.	Power	CRI	Light Source Lumen	Black Lens Lumen	Cuttable length	Max Run
FN-2835-120	Standard	120pcs/m	12/24VDC	9.6W/m	80+/90+	1300lm/m	195lm/m	12V=25mm, 24V=50mm	12V=3m, 24V=6m
	High Efficiency	128pcs/m	24VDC	11.5W/m	80+	1698lm/m	255lm/m	62.5mm	5m
	Short Cut	120pcs/m	24VDC	21.6W/m	80+/90+	1922lm/m	288lm/m	16.7mm	3.5m
FN-2835-60	Standard	60pcs/m	12/24VDC	14.4W/m	80+/90+	1050lm/m	158lm/m	12V=50mm, 24V=100mm	12V=4.5m, 24V=8m
	High Efficiency	64pcs/m	24VDC	7.68W/m	80+	1065lm/m	160lm/m	125	5m
	Long Run	60pcs/m	24VDC	2.4W/m	80+/90+	211lm/m	32lm/m	100mm	50m
	Short Cut	60pcs/m	24VDC	14.4W/m	80+/90+	1239lm/m	186lm/m	33.3mm	5.5m

SL-B200810

VERTICAL SURFACE MOUNTED



RECOMMEND FLEXIBLE LIGHT SOURCE



4000K

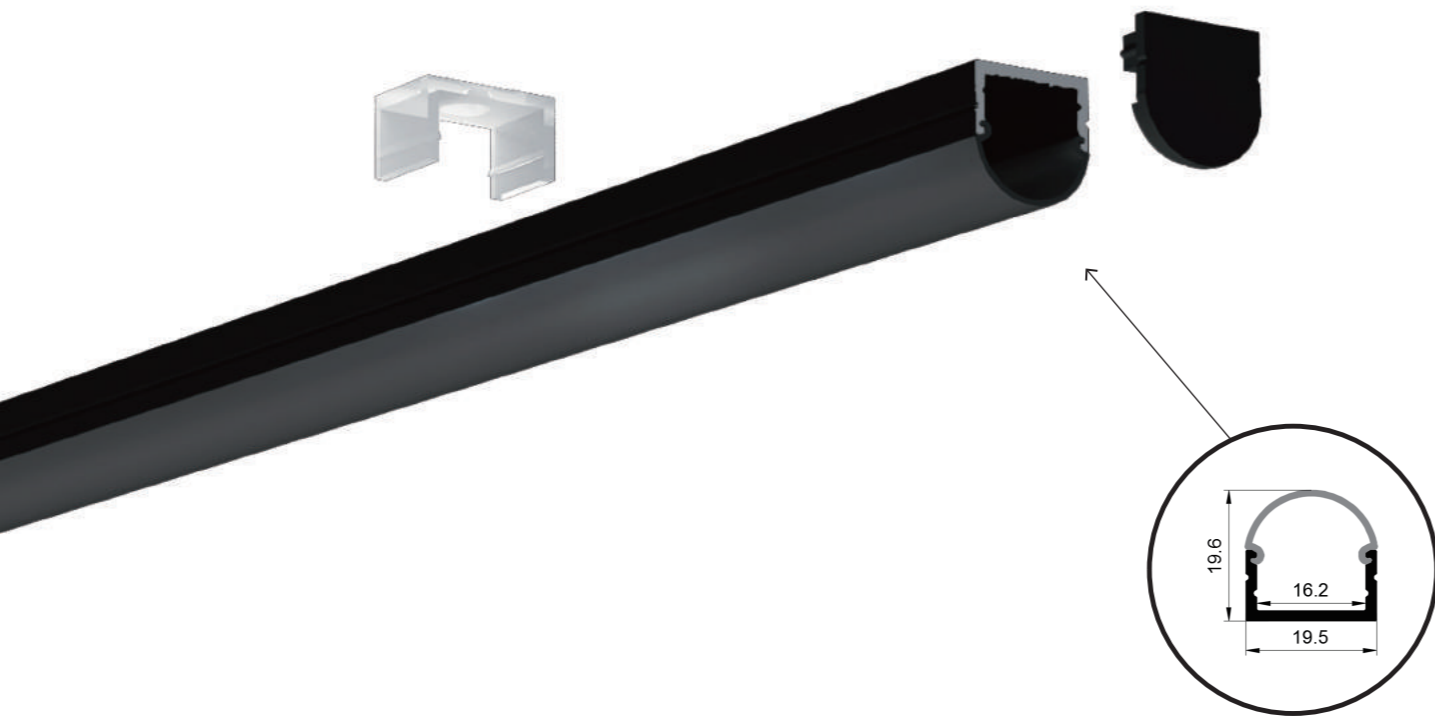
5000K

6000K

Model No.		LED QTY	Input Vol.	Power	CRI	Light Source Lumen	Black Lens Lumen	Cuttable length	Max Run
FN-2835-120	Standard	120pcs/m	12/24VDC	9.6W/m	80+/90+	1300lm/m	195lm/m	12V=25mm, 24V=50mm	12V=3m, 24V=6m
	High Efficiency	128pcs/m	24VDC	11.5W/m	80+	1698lm/m	255lm/m	62.5mm	5m
	Short Cut	120pcs/m	24VDC	21.6W/m	80+/90+	1922lm/m	288lm/m	16.7mm	3.5m
FN-2835-60	Standard	60pcs/m	12/24VDC	14.4W/m	80+/90+	1050lm/m	158lm/m	12V=50mm, 24V=100mm	12V=4.5m, 24V=8m
	High Efficiency	64pcs/m	24VDC	7.68W/m	80+	1065lm/m	160lm/m	125	5m
	Long Run	60pcs/m	24VDC	2.4W/m	80+/90+	211lm/m	32lm/m	100mm	50m
	Short Cut	60pcs/m	24VDC	14.4W/m	80+/90+	1239lm/m	186lm/m	33.3mm	5.5m

SL-B202016

VERTICAL SURFACE MOUNTED



RECOMMEND FLEXIBLE LIGHT SOURCE



4000K

5000K

6000K

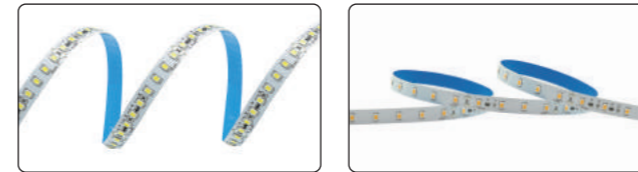
Model No.		LED QTY	Input Vol.	Power	CRI	Light Source Lumen	Black Lens Lumen	Cuttible length	Max Run
FN-2835-120	Standard	120pcs/m	12/24VDC	9.6W/m	80+/90+	1300lm/m	195lm/m	12V=25mm, 24V=50mm	12V=3m, 24V=6m
	High Efficiency	128pcs/m	24VDC	11.5W/m	80+	1698lm/m	255lm/m	62.5mm	5m
	Short Cut	120pcs/m	24VDC	21.6W/m	80+/90+	1922lm/m	288lm/m	16.7mm	3.5m
FN-2835-60	Standard	60pcs/m	12/24VDC	14.4W/m	80+/90+	1050lm/m	158lm/m	12V=50mm, 24V=100mm	12V=4.5m, 24V=8m
	High Efficiency	64pcs/m	24VDC	7.68W/m	80+	1065lm/m	160lm/m	125	5m
	Long Run	60pcs/m	24VDC	2.4W/m	80+/90+	211lm/m	32lm/m	100mm	50m
	Short Cut	60pcs/m	24VDC	14.4W/m	80+/90+	1239lm/m	186lm/m	33.3mm	5.5m

SL-B202116

VERTICAL SURFACE MOUNTED



RECOMMEND FLEXIBLE LIGHT SOURCE



4000K

5000K

6000K

Model No.		LED QTY	Input Vol.	Power	CRI	Light Source Lumen	Black Lens Lumen	Cuttible length	Max Run
FN-2835-120	Standard	120pcs/m	12/24VDC	9.6W/m	80+/90+	1300lm/m	195lm/m	12V=25mm, 24V=50mm	12V=3m, 24V=6m
	High Efficiency	128pcs/m	24VDC	11.5W/m	80+	1698lm/m	255lm/m	62.5mm	5m
	Short Cut	120pcs/m	24VDC	21.6W/m	80+/90+	1922lm/m	288lm/m	16.7mm	3.5m
FN-2835-60	Standard	60pcs/m	12/24VDC	14.4W/m	80+/90+	1050lm/m	158lm/m	12V=50mm, 24V=100mm	12V=4.5m, 24V=8m
	High Efficiency	64pcs/m	24VDC	7.68W/m	80+	1065lm/m	160lm/m	125	5m
	Long Run	60pcs/m	24VDC	2.4W/m	80+/90+	211lm/m	32lm/m	100mm	50m
	Short Cut	60pcs/m	24VDC	14.4W/m	80+/90+	1239lm/m	186lm/m	33.3mm	5.5m

SL-B241620

VERTICAL SURFACE MOUNTED



RECOMMEND FLEXIBLE LIGHT SOURCE



4000K

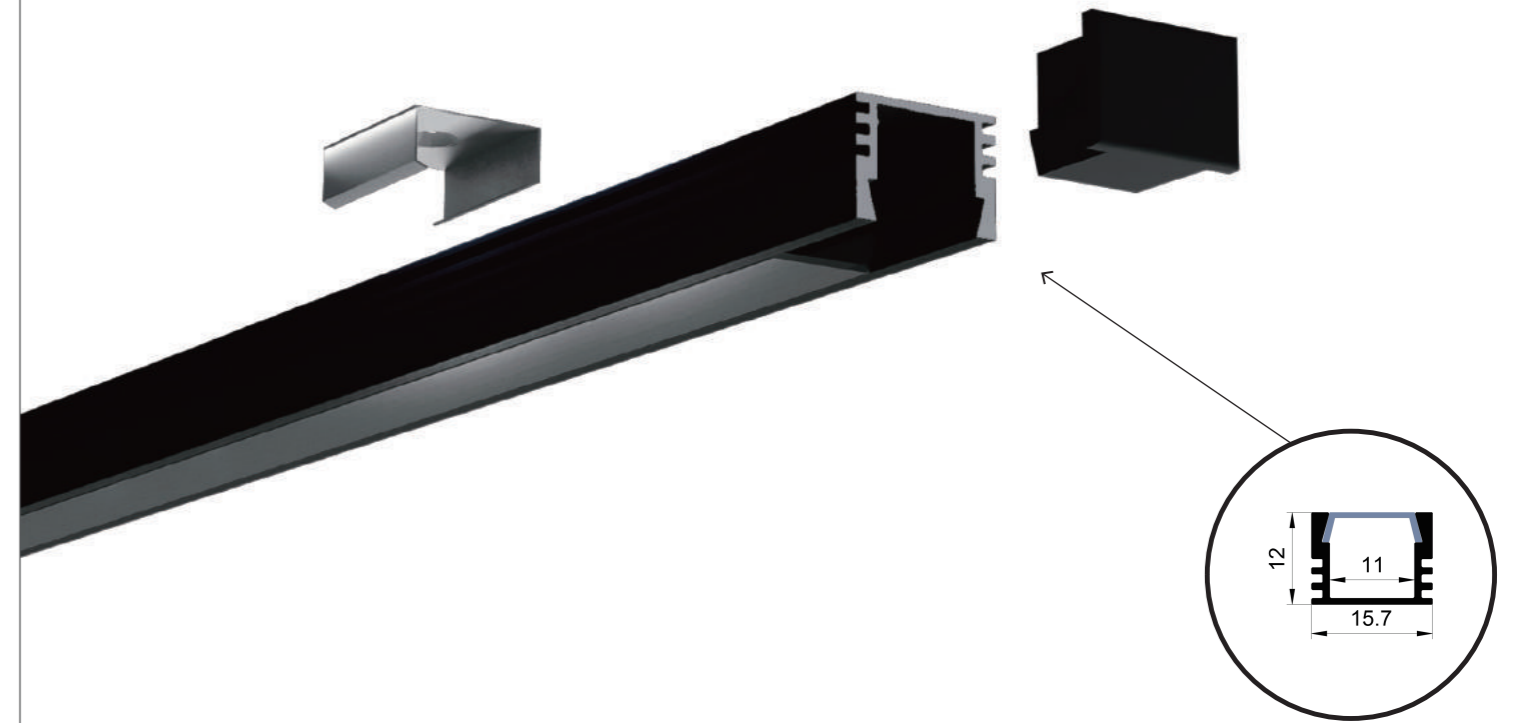
5000K

6000K

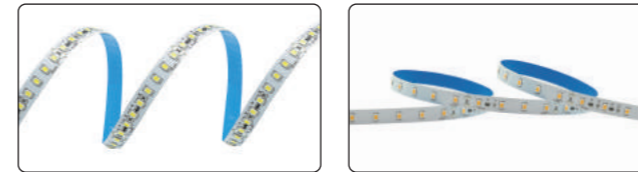
Model No.		LED QTY	Input Vol.	Power	CRI	Light Source Lumen	Black Lens Lumen	Cuttable length	Max Run
FN-2835-120	Standard	120pcs/m	12/24VDC	9.6W/m	80+/90+	1300lm/m	195lm/m	12V=25mm, 24V=50mm	12V=3m, 24V=6m
	High Efficiency	128pcs/m	24VDC	11.5W/m	80+	1698lm/m	255lm/m	62.5mm	5m
	Short Cut	120pcs/m	24VDC	21.6W/m	80+/90+	1922lm/m	288lm/m	16.7mm	3.5m
FN-2835-60	Standard	60pcs/m	12/24VDC	14.4W/m	80+/90+	1050lm/m	158lm/m	12V=50mm, 24V=100mm	12V=4.5m, 24V=8m
	High Efficiency	64pcs/m	24VDC	7.68W/m	80+	1065lm/m	160lm/m	125	5m
	Long Run	60pcs/m	24VDC	2.4W/m	80+/90+	211lm/m	32lm/m	100mm	50m
	Short Cut	60pcs/m	24VDC	14.4W/m	80+/90+	1239lm/m	186lm/m	33.3mm	5.5m

SL-B161211

VERTICAL SURFACE MOUNTED / TRIMLESS RECESSED



RECOMMEND FLEXIBLE LIGHT SOURCE



4000K

5000K

6000K

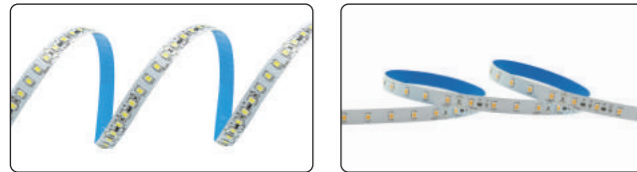
Model No.		LED QTY	Input Vol.	Power	CRI	Light Source Lumen	Black Lens Lumen	Cuttable length	Max Run
FN-2835-120	Standard	120pcs/m	12/24VDC	9.6W/m	80+/90+	1300lm/m	195lm/m	12V=25mm, 24V=50mm	12V=3m, 24V=6m
	High Efficiency	128pcs/m	24VDC	11.5W/m	80+	1698lm/m	255lm/m	62.5mm	5m
	Short Cut	120pcs/m	24VDC	21.6W/m	80+/90+	1922lm/m	288lm/m	16.7mm	3.5m
FN-2835-60	Standard	60pcs/m	12/24VDC	14.4W/m	80+/90+	1050lm/m	158lm/m	12V=50mm, 24V=100mm	12V=4.5m, 24V=8m
	High Efficiency	64pcs/m	24VDC	7.68W/m	80+	1065lm/m	160lm/m	125	5m
	Long Run	60pcs/m	24VDC	2.4W/m	80+/90+	211lm/m	32lm/m	100mm	50m
	Short Cut	60pcs/m	24VDC	14.4W/m	80+/90+	1239lm/m	186lm/m	33.3mm	5.5m

SL-B171212

VERTICAL SURFACE MOUNTED / MAGNETIC SURFACE MOUNTED



RECOMMEND FLEXIBLE LIGHT SOURCE



4000K

5000K

6000K

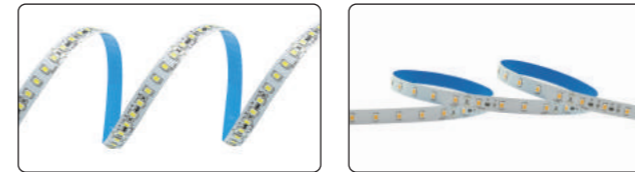
Model No.		LED QTY	Input Vol.	Power	CRI	Light Source Lumen	Black Lens Lumen	Cuttable length	Max Run
FN-2835-120	Standard	120pcs/m	12/24VDC	9.6W/m	80+/90+	1300lm/m	195lm/m	12V=25mm, 24V=50mm	12V=3m, 24V=6m
	High Efficiency	128pcs/m	24VDC	11.5W/m	80+	1698lm/m	255lm/m	62.5mm	5m
	Short Cut	120pcs/m	24VDC	21.6W/m	80+/90+	1922lm/m	288lm/m	16.7mm	3.5m
FN-2835-60	Standard	60pcs/m	12/24VDC	14.4W/m	80+/90+	1050lm/m	158lm/m	12V=50mm, 24V=100mm	12V=4.5m, 24V=8m
	High Efficiency	64pcs/m	24VDC	7.68W/m	80+	1065lm/m	160lm/m	125	5m
	Long Run	60pcs/m	24VDC	2.4W/m	80+/90+	211lm/m	32lm/m	100mm	50m
	Short Cut	60pcs/m	24VDC	14.4W/m	80+/90+	1239lm/m	186lm/m	33.3mm	5.5m

SL-B353524

PENDANT / CEILING MOUNTED



RECOMMEND FLEXIBLE LIGHT SOURCE



4000K

5000K

6000K

Model No.		LED QTY	Input Vol.	Power	CRI	Light Source Lumen	Black Lens Lumen	Cuttable length	Max Run
FN-2835-120	Standard	120pcs/m	12/24VDC	9.6W/m	80+/90+	1300lm/m	195lm/m	12V=25mm, 24V=50mm	12V=3m, 24V=6m
	High Efficiency	128pcs/m	24VDC	11.5W/m	80+	1698lm/m	255lm/m	62.5mm	5m
	Short Cut	120pcs/m	24VDC	21.6W/m	80+/90+	1922lm/m	288lm/m	16.7mm	3.5m
FN-2835-60	Standard	60pcs/m	12/24VDC	14.4W/m	80+/90+	1050lm/m	158lm/m	12V=50mm, 24V=100mm	12V=4.5m, 24V=8m
	High Efficiency	64pcs/m	24VDC	7.68W/m	80+	1065lm/m	160lm/m	125	5m
	Long Run	60pcs/m	24VDC	2.4W/m	80+/90+	211lm/m	32lm/m	100mm	50m
	Short Cut	60pcs/m	24VDC	14.4W/m	80+/90+	1239lm/m	186lm/m	33.3mm	5.5m

SL-B161610

ANGULAR SURFACE MOUNTED



RECOMMEND FLEXIBLE LIGHT SOURCE



4000K

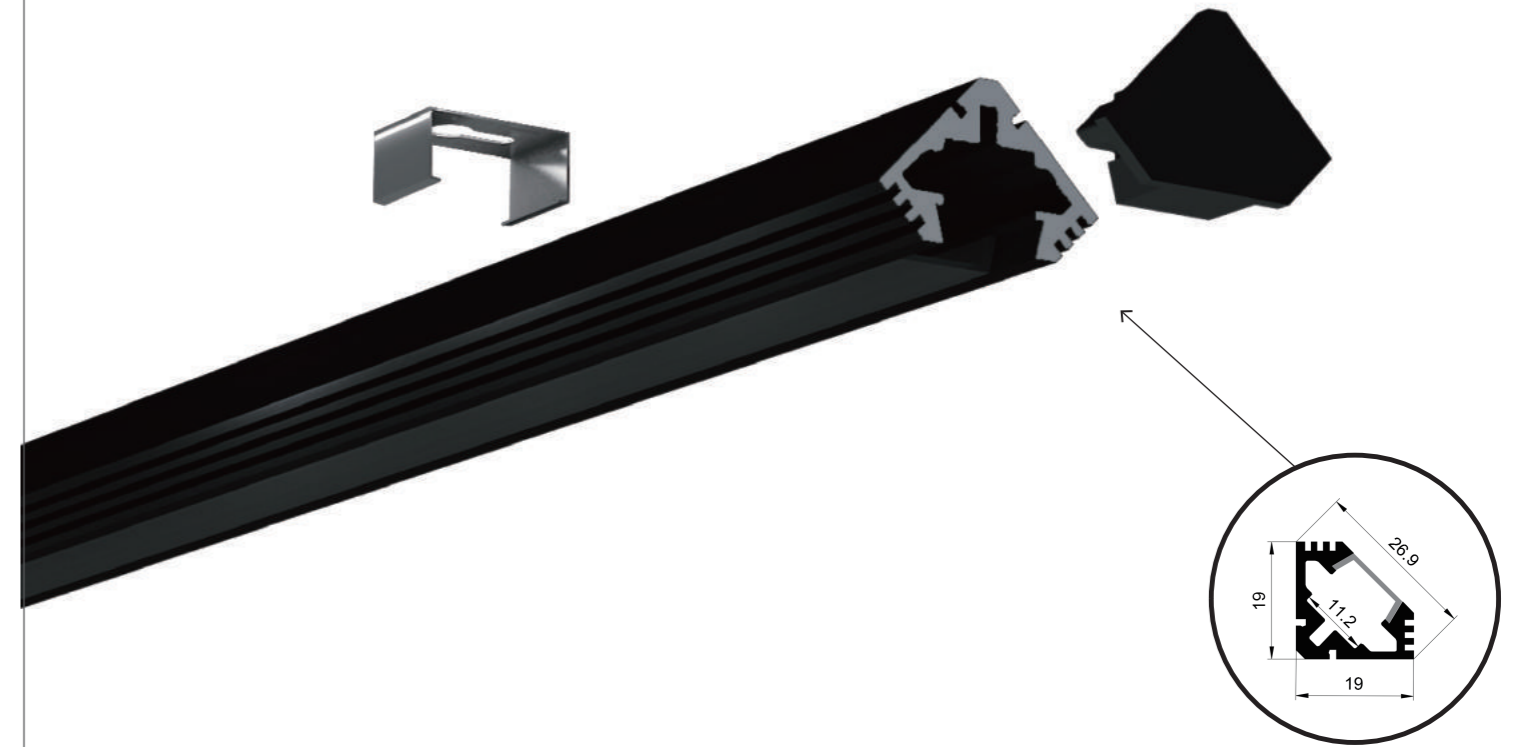
5000K

6000K

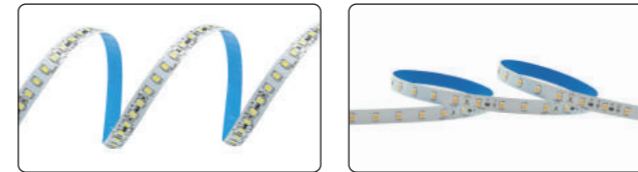
Model No.		LED QTY	Input Vol.	Power	CRI	Light Source Lumen	Black Lens Lumen	Cuttable length	Max Run
FN-2835-120	Standard	120pcs/m	12/24VDC	9.6W/m	80+/90+	1300lm/m	195lm/m	12V=25mm, 24V=50mm	12V=3m, 24V=6m
	High Efficiency	128pcs/m	24VDC	11.5W/m	80+	1698lm/m	255lm/m	62.5mm	5m
	Short Cut	120pcs/m	24VDC	21.6W/m	80+/90+	1922lm/m	288lm/m	16.7mm	3.5m
FN-2835-60	Standard	60pcs/m	12/24VDC	14.4W/m	80+/90+	1050lm/m	158lm/m	12V=50mm, 24V=100mm	12V=4.5m, 24V=8m
	High Efficiency	64pcs/m	24VDC	7.68W/m	80+	1065lm/m	160lm/m	125	5m
	Long Run	60pcs/m	24VDC	2.4W/m	80+/90+	211lm/m	32lm/m	100mm	50m
	Short Cut	60pcs/m	24VDC	14.4W/m	80+/90+	1239lm/m	186lm/m	33.3mm	5.5m

SL-B191911

ANGULAR SURFACE MOUNTED



RECOMMEND FLEXIBLE LIGHT SOURCE



4000K

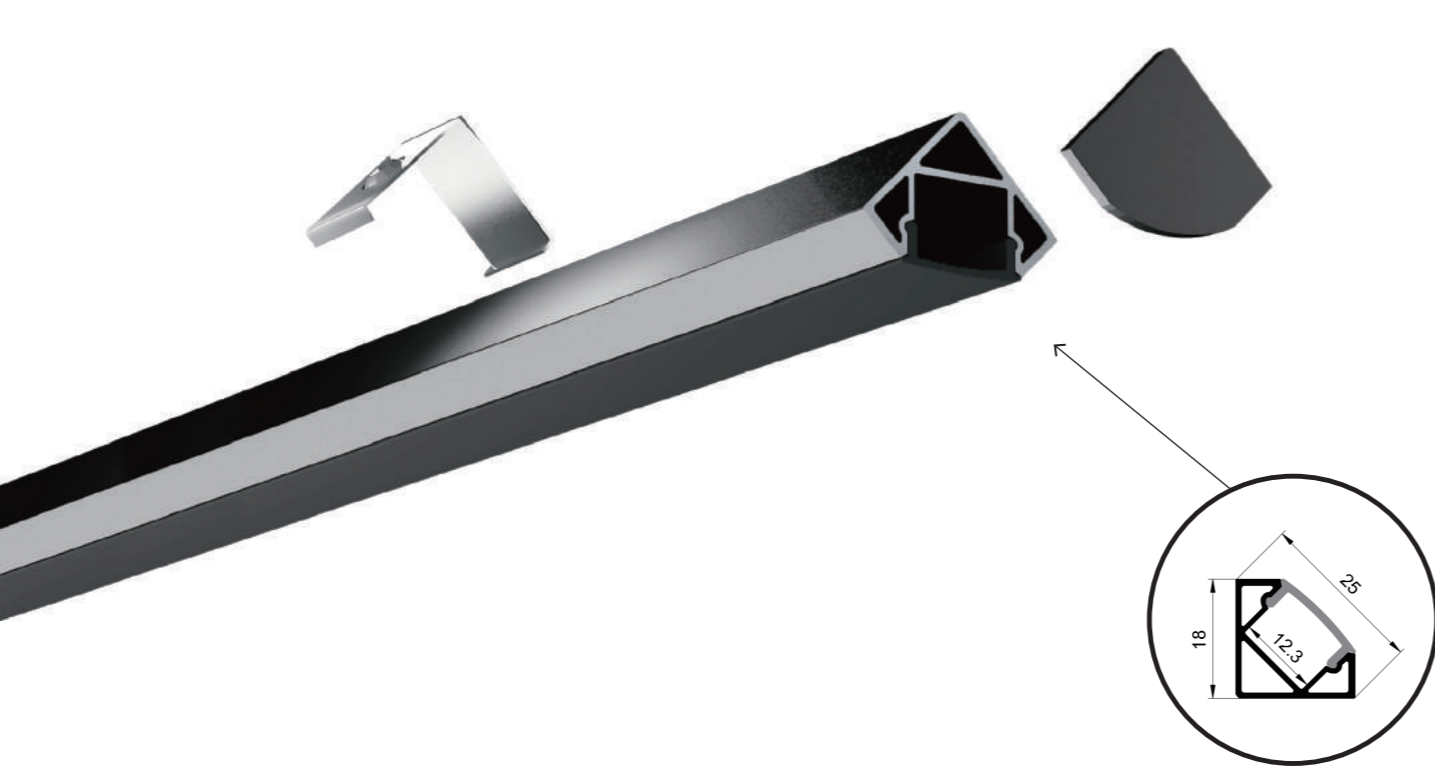
5000K

6000K

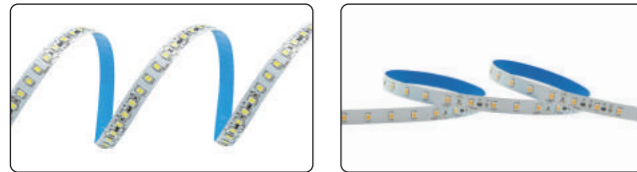
Model No.		LED QTY	Input Vol.	Power	CRI	Light Source Lumen	Black Lens Lumen	Cuttable length	Max Run
FN-2835-120	Standard	120pcs/m	12/24VDC	9.6W/m	80+/90+	1300lm/m	195lm/m	12V=25mm, 24V=50mm	12V=3m, 24V=6m
	High Efficiency	128pcs/m	24VDC	11.5W/m	80+	1698lm/m	255lm/m	62.5mm	5m
	Short Cut	120pcs/m	24VDC	21.6W/m	80+/90+	1922lm/m	288lm/m	16.7mm	3.5m
FN-2835-60	Standard	60pcs/m	12/24VDC	14.4W/m	80+/90+	1050lm/m	158lm/m	12V=50mm, 24V=100mm	12V=4.5m, 24V=8m
	High Efficiency	64pcs/m	24VDC	7.68W/m	80+	1065lm/m	160lm/m	125	5m
	Long Run	60pcs/m	24VDC	2.4W/m	80+/90+	211lm/m	32lm/m	100mm	50m
	Short Cut	60pcs/m	24VDC	14.4W/m	80+/90+	1239lm/m	186lm/m	33.3mm	5.5m

SL-B181812

ANGULAR SURFACE MOUNTED



RECOMMEND FLEXIBLE LIGHT SOURCE



4000K

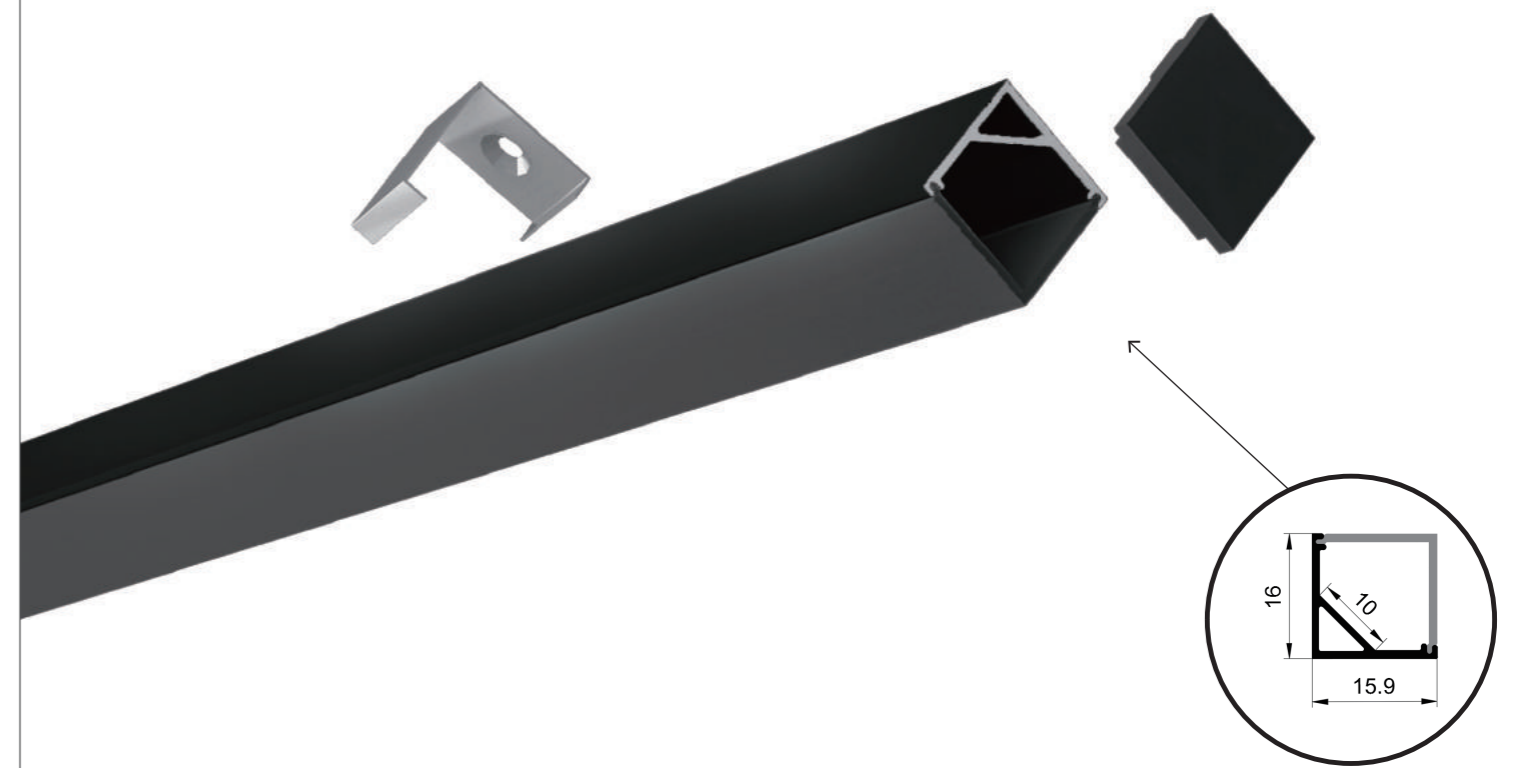
5000K

6000K

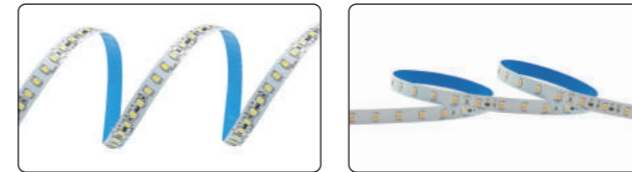
Model No.		LED QTY	Input Vol.	Power	CRI	Light Source Lumen	Black Lens Lumen	Cuttable length	Max Run
FN-2835-120	Standard	120pcs/m	12/24VDC	9.6W/m	80+/90+	1300lm/m	195lm/m	12V=25mm, 24V=50mm	12V=3m, 24V=6m
	High Efficiency	128pcs/m	24VDC	11.5W/m	80+	1698lm/m	255lm/m	62.5mm	5m
	Short Cut	120pcs/m	24VDC	21.6W/m	80+/90+	1922lm/m	288lm/m	16.7mm	3.5m
FN-2835-60	Standard	60pcs/m	12/24VDC	14.4W/m	80+/90+	1050lm/m	158lm/m	12V=50mm, 24V=100mm	12V=4.5m, 24V=8m
	High Efficiency	64pcs/m	24VDC	7.68W/m	80+	1065lm/m	160lm/m	125	5m
	Long Run	60pcs/m	24VDC	2.4W/m	80+/90+	211lm/m	32lm/m	100mm	50m
	Short Cut	60pcs/m	24VDC	14.4W/m	80+/90+	1239lm/m	186lm/m	33.3mm	5.5m

SL-B161610B

ANGULAR SURFACE MOUNTED



RECOMMEND FLEXIBLE LIGHT SOURCE



4000K

5000K

6000K

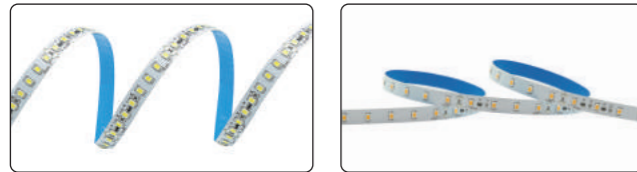
Model No.		LED QTY	Input Vol.	Power	CRI	Light Source Lumen	Black Lens Lumen	Cuttable length	Max Run
FN-2835-120	Standard	120pcs/m	12/24VDC	9.6W/m	80+/90+	1300lm/m	195lm/m	12V=25mm, 24V=50mm	12V=3m, 24V=6m
	High Efficiency	128pcs/m	24VDC	11.5W/m	80+	1698lm/m	255lm/m	62.5mm	5m
	Short Cut	120pcs/m	24VDC	21.6W/m	80+/90+	1922lm/m	288lm/m	16.7mm	3.5m
FN-2835-60	Standard	60pcs/m	12/24VDC	14.4W/m	80+/90+	1050lm/m	158lm/m	12V=50mm, 24V=100mm	12V=4.5m, 24V=8m
	High Efficiency	64pcs/m	24VDC	7.68W/m	80+	1065lm/m	160lm/m	125	5m
	Long Run	60pcs/m	24VDC	2.4W/m	80+/90+	211lm/m	32lm/m	100mm	50m
	Short Cut	60pcs/m	24VDC	14.4W/m	80+/90+	1239lm/m	186lm/m	33.3mm	5.5m

SL-B231612

TRIMED RECESSED



RECOMMEND FLEXIBLE LIGHT SOURCE

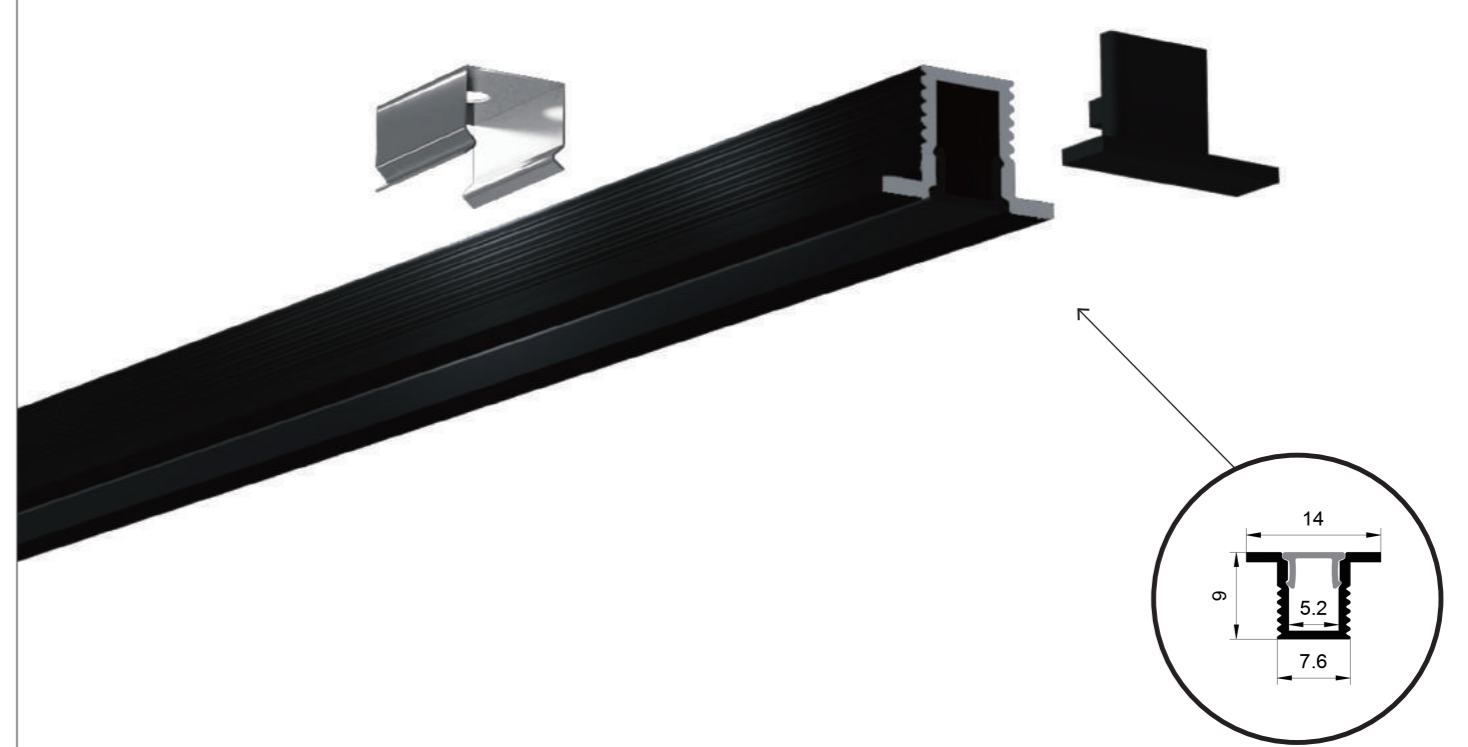


4000K 5000K 6000K

Model No.		LED QTY	Input Vol.	Power	CRI	Light Source Lumen	Black Lens Lumen	Cutttable length	Max Run
FN-2835-120	Standard	120pcs/m	12/24VDC	9.6W/m	80+/90+	1300lm/m	195lm/m	12V=25mm, 24V=50mm	12V=3m, 24V=6m
	High Efficiency	128pcs/m	24VDC	11.5W/m	80+	1698lm/m	255lm/m	62.5mm	5m
	Short Cut	120pcs/m	24VDC	21.6W/m	80+/90+	1922lm/m	288lm/m	16.7mm	3.5m
FN-2835-60	Standard	60pcs/m	12/24VDC	14.4W/m	80+/90+	1050lm/m	158lm/m	12V=50mm, 24V=100mm	12V=4.5m, 24V=8m
	High Efficiency	64pcs/m	24VDC	7.68W/m	80+	1065lm/m	160lm/m	125	5m
	Long Run	60pcs/m	24VDC	2.4W/m	80+/90+	211lm/m	32lm/m	100mm	50m
	Short Cut	60pcs/m	24VDC	14.4W/m	80+/90+	1239lm/m	186lm/m	33.3mm	5.5m

SL-B140905

TRIMED RECESSED



RECOMMEND FLEXIBLE LIGHT SOURCE

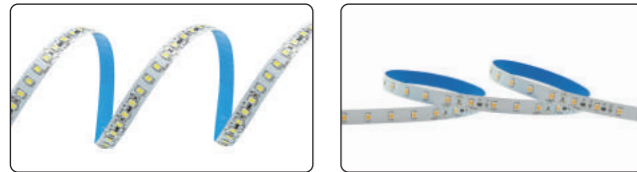


4000K 5000K 6000K

Model No.	FPC Width	LED QTY	Input Vol.	Power	CRI	Light Source Lumen	Black Lens Lumen	Cutttable length	Max Run
MINI FN-2835-60	5mm	60pcs/m	12/24VDC	14.8W/m	80+/90+	100lm/m	15lm/m	12V=50mm, 24V=100mm	12V=3m, 24V=5m
MINI FN-2835-120	4mm	120pcs/m	12/24VDC	9.6W/m	80+/90+	956lm/m	143lm/m	12V=25mm, 24V=50mm	12V=1.5m, 24V=3m
MINI FN-5630-60	5mm	60pcs/m	24VDC	9.6W/m	80+/90+	1900lm/m	285lm/m	100mm	2m



▲ RECOMMEND FLEXIBLE LIGHT SOURCE

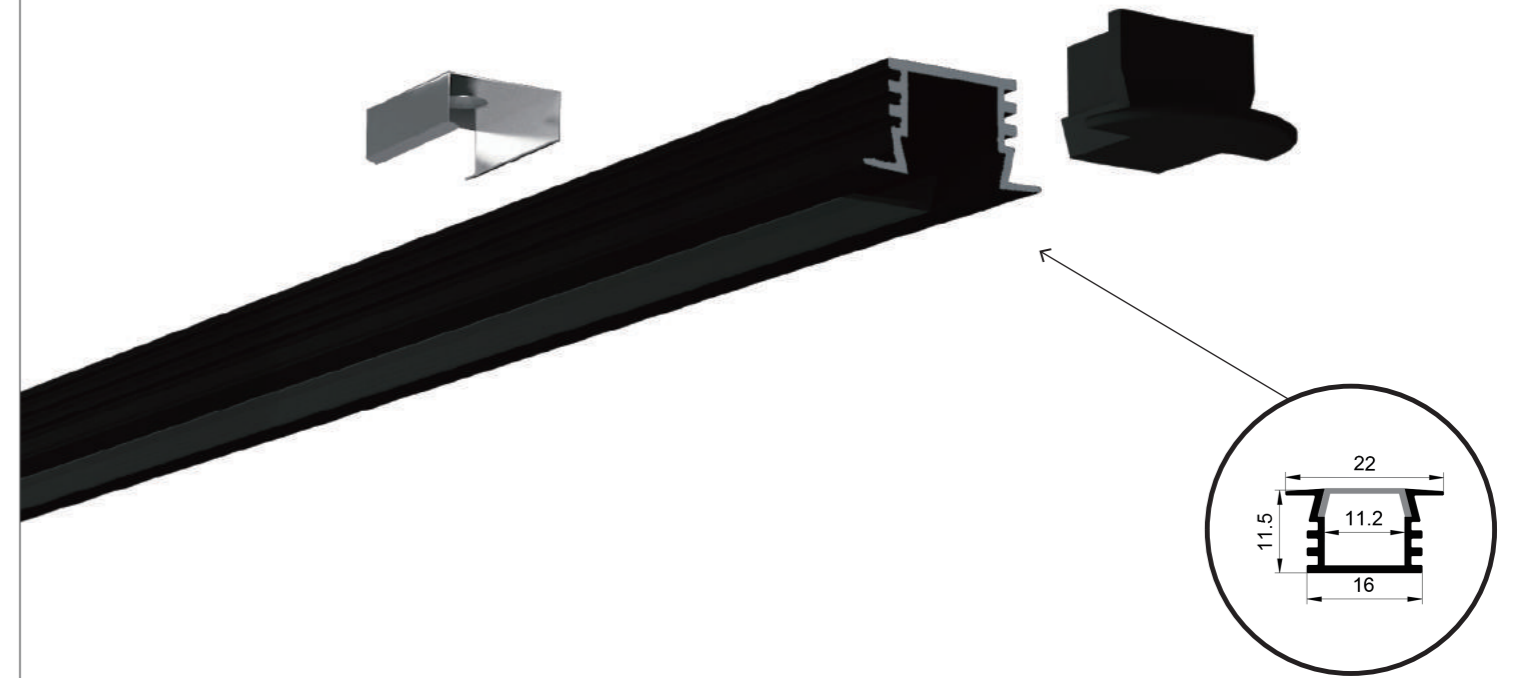


4000K

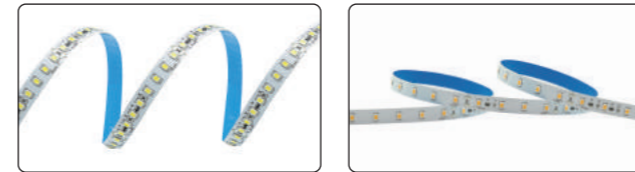
5000K

6000K

Model No.		LED QTY	Input Vol.	Power	CRI	Light Source Lumen	Black Lens Lumen	Cuttable length	Max Run
FN-2835-120	Standard	120pcs/m	12/24VDC	9.6W/m	80+/90+	1300lm/m	195lm/m	12V=25mm, 24V=50mm	12V=3m, 24V=6m
	High Efficiency	128pcs/m	24VDC	11.5W/m	80+	1698lm/m	255lm/m	62.5mm	5m
	Short Cut	120pcs/m	24VDC	21.6W/m	80+/90+	1922lm/m	288lm/m	16.7mm	3.5m
FN-2835-60	Standard	60pcs/m	12/24VDC	14.4W/m	80+/90+	1050lm/m	158lm/m	12V=50mm, 24V=100mm	12V=4.5m, 24V=8m
	High Efficiency	64pcs/m	24VDC	7.68W/m	80+	1065lm/m	160lm/m	125	5m
	Long Run	60pcs/m	24VDC	2.4W/m	80+/90+	211lm/m	32lm/m	100mm	50m
	Short Cut	60pcs/m	24VDC	14.4W/m	80+/90+	1239lm/m	186lm/m	33.3mm	5.5m



▲ RECOMMEND FLEXIBLE LIGHT SOURCE



4000K

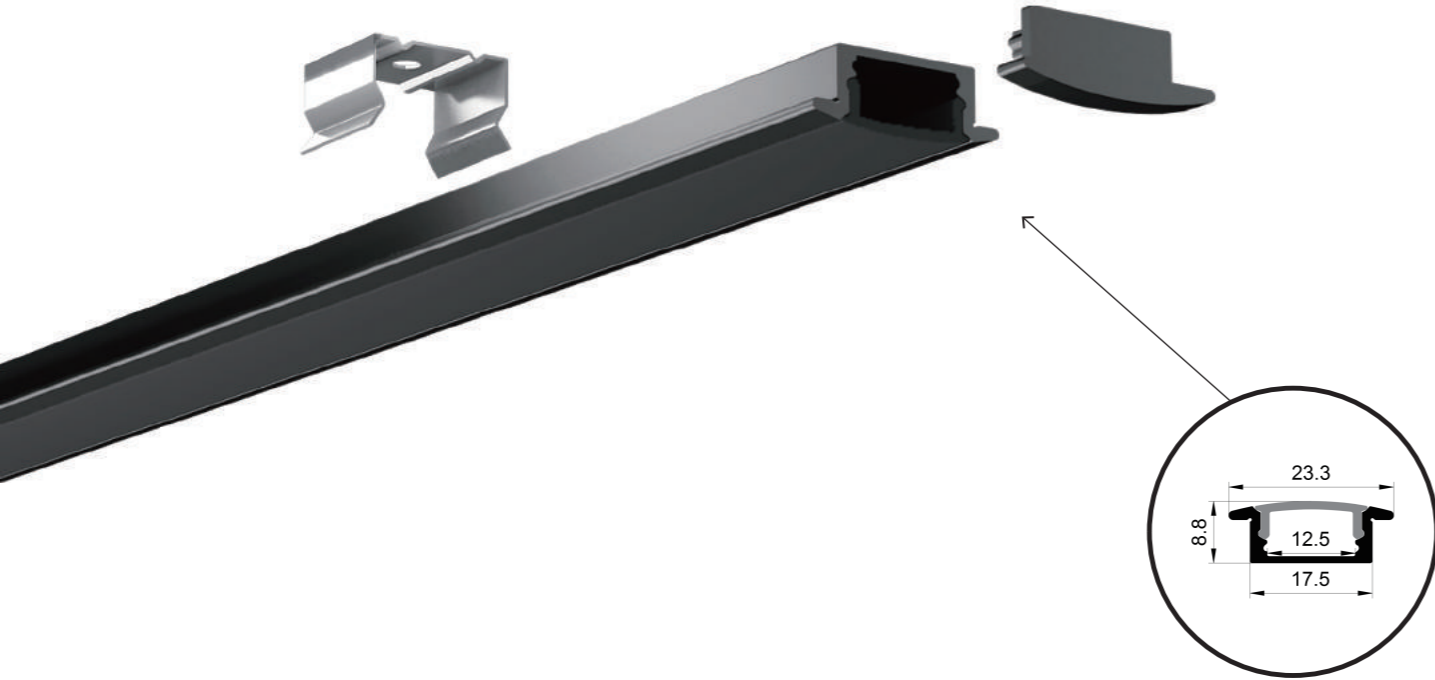
5000K

6000K

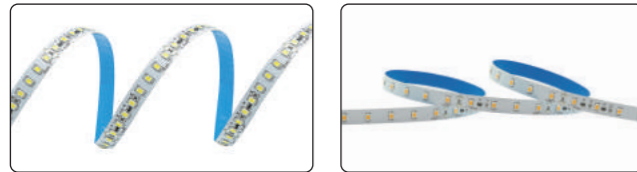
Model No.		LED QTY	Input Vol.	Power	CRI	Light Source Lumen	Black Lens Lumen	Cuttable length	Max Run
FN-2835-120	Standard	120pcs/m	12/24VDC	9.6W/m	80+/90+	1300lm/m	195lm/m	12V=25mm, 24V=50mm	12V=3m, 24V=6m
	High Efficiency	128pcs/m	24VDC	11.5W/m	80+	1698lm/m	255lm/m	62.5mm	5m
	Short Cut	120pcs/m	24VDC	21.6W/m	80+/90+	1922lm/m	288lm/m	16.7mm	3.5m
FN-2835-60	Standard	60pcs/m	12/24VDC	14.4W/m	80+/90+	1050lm/m	158lm/m	12V=50mm, 24V=100mm	12V=4.5m, 24V=8m
	High Efficiency	64pcs/m	24VDC	7.68W/m	80+	1065lm/m	160lm/m	125	5m
	Long Run	60pcs/m	24VDC	2.4W/m	80+/90+	211lm/m	32lm/m	100mm	50m
	Short Cut	60pcs/m	24VDC	14.4W/m	80+/90+	1239lm/m	186lm/m	33.3mm	5.5m

SL-B230912

TRIMED RECESSED



RECOMMEND FLEXIBLE LIGHT SOURCE



4000K

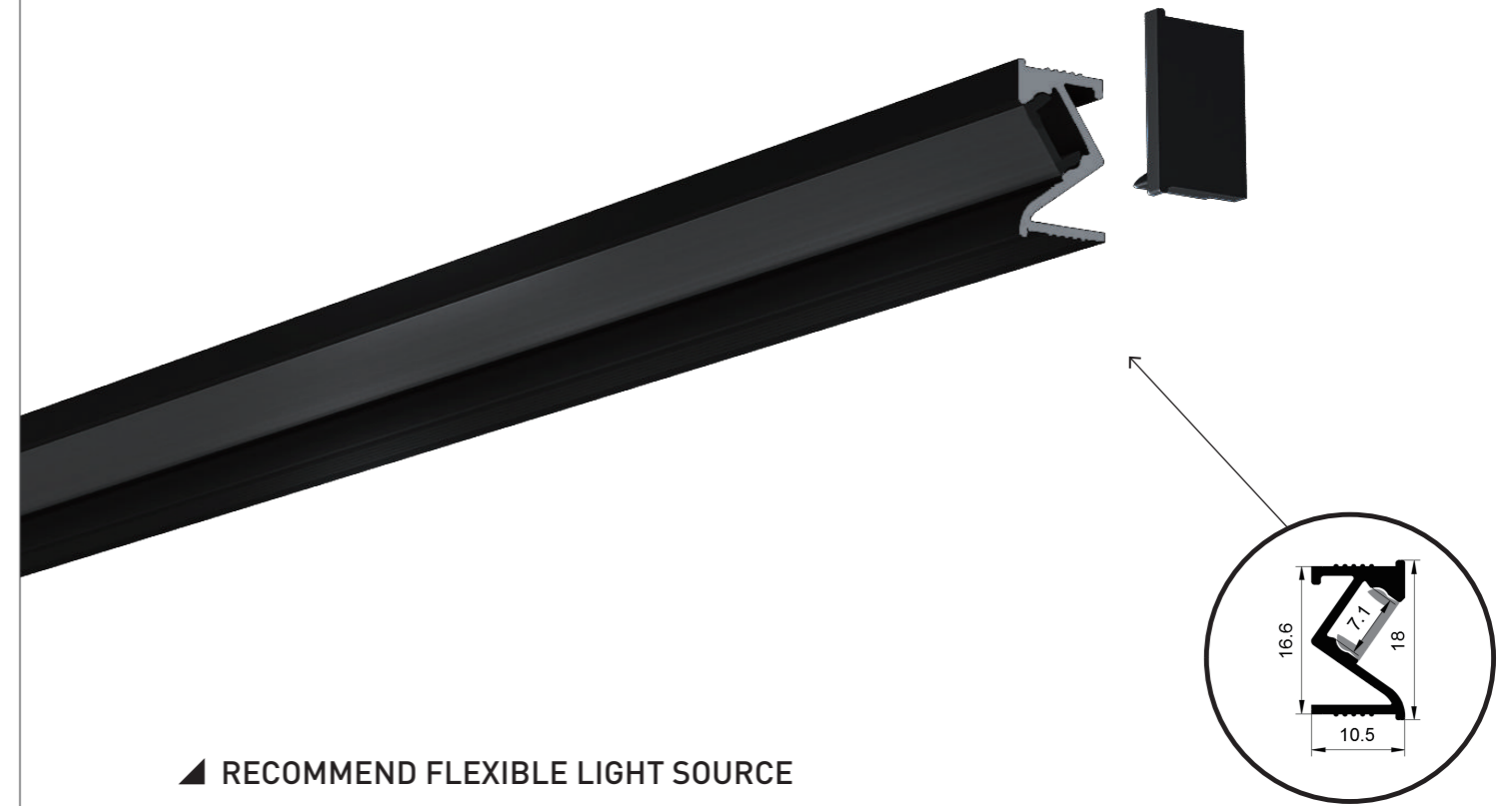
5000K

6000K

Model No.	LED QTY	Input Vol.	Power	CRI	Light Source Lumen	Black Lens Lumen	Cutttable length	Max Run	
FN-2835-120	Standard	120pcs/m	12/24VDC	9.6W/m	80+/90+	1300lm/m	195lm/m	12V=25mm, 24V=50mm	12V=3m, 24V=6m
	High Efficiency	128pcs/m	24VDC	11.5W/m	80+	1698lm/m	255lm/m	62.5mm	5m
	Short Cut	120pcs/m	24VDC	21.6W/m	80+/90+	1922lm/m	288lm/m	16.7mm	3.5m
FN-2835-60	Standard	60pcs/m	12/24VDC	14.4W/m	80+/90+	1050lm/m	158lm/m	12V=50mm, 24V=100mm	12V=4.5m, 24V=8m
	High Efficiency	64pcs/m	24VDC	7.68W/m	80+	1065lm/m	160lm/m	125	5m
	Long Run	60pcs/m	24VDC	2.4W/m	80+/90+	211lm/m	32lm/m	100mm	50m
	Short Cut	60pcs/m	24VDC	14.4W/m	80+/90+	1239lm/m	186lm/m	33.3mm	5.5m

SL-B181107

TRIMED RECESSED



RECOMMEND FLEXIBLE LIGHT SOURCE



4000K

5000K

6000K

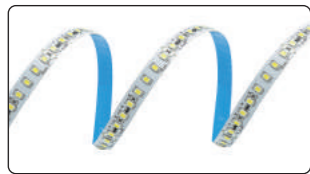
Model No.	LED QTY	Input Vol.	Power	CRI	Light Source Lumen	Black Lens Lumen	Cutttable length	Max Run	
FN-2835-30	Standard	30pcs/m	12/24VDC	7.2W/m	80+/90+	590lm/m	89lm/m	12V=100mm, 24V=200mm	12V=7m, 24V=12m
	Short Cut	30pcs/m	12/24VDC	7.2W/m	80+/90+	619lm/m	93lm/m	12V=33.3mm, 24V=67.7mm	5m
FN-2835-60	Standard	60pcs/m	12/24VDC	14.4W/m	80+/90+	1050lm/m	158lm/m	12V=50mm, 24V=100mm	12V=4.5m, 24V=8m
	High Efficiency	64pcs/m	24VDC	7.68W/m	80+	1065lm/m	160lm/m	125	5m
	Long Run	60pcs/m	24VDC	2.4W/m	80+/90+	211lm/m	32lm/m	100mm	50m
	Short Cut	60pcs/m	24VDC	14.4W/m	80+/90+	1239lm/m	186lm/m	33.3mm	5.5m
FN-2835-120	Standard	120pcs/m	12/24VDC	9.6W/m	80+/90+	1300lm/m	195lm/m	12V=25mm, 24V=50mm	12V=3m, 24V=6m
	High Efficiency	128pcs/m	24VDC	11.5W/m	80+	1698lm/m	255lm/m	62.5mm	5m
	Short Cut	120pcs/m	24VDC	21.6W/m	80+/90+	1922lm/m	288lm/m	16.7mm	3.5m

SL-B311520

TRIMED RECESSED



RECOMMEND FLEXIBLE LIGHT SOURCE

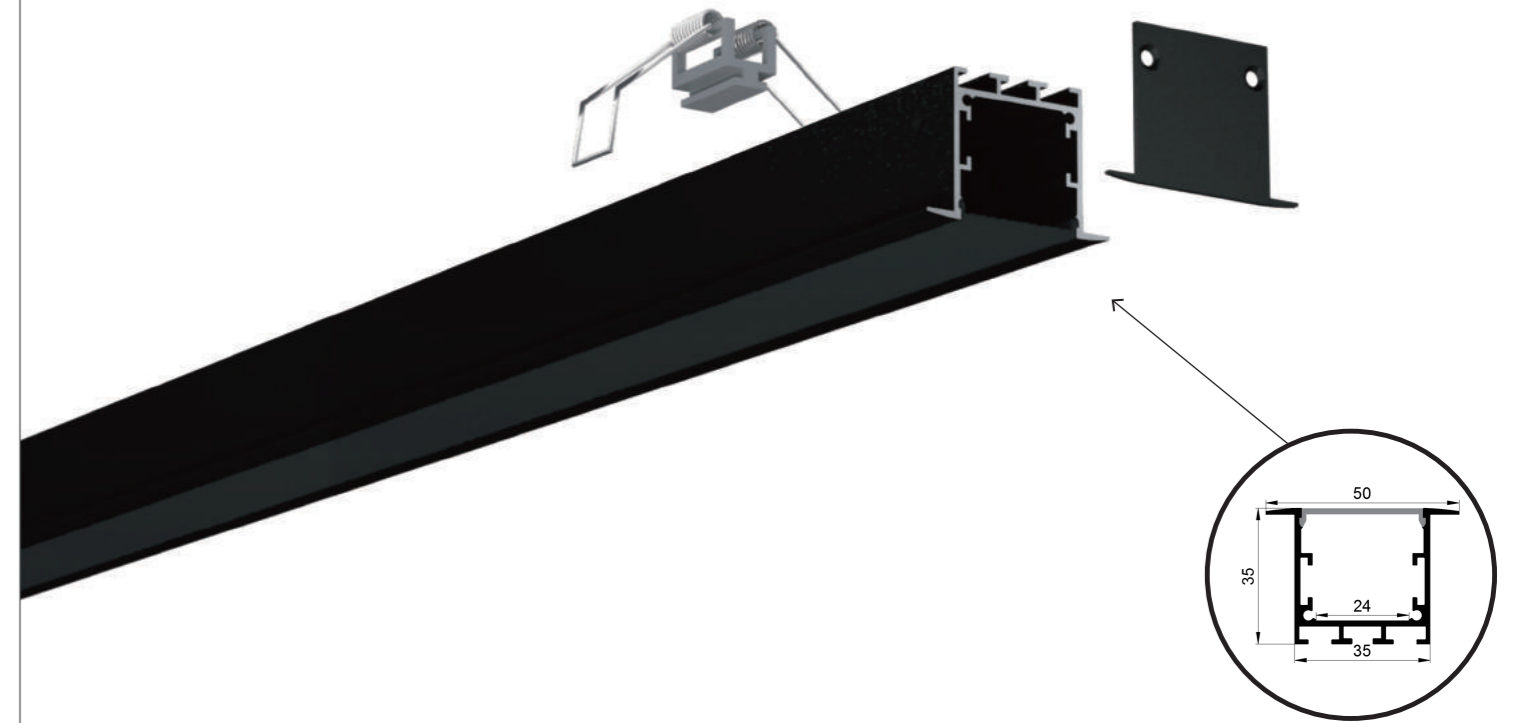


4000K 5000K 6000K

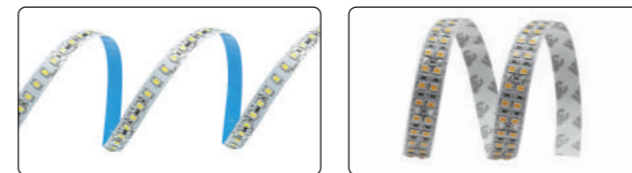
Model No.	LED QTY	Input Vol.	Power	CRI	Light Source Lumen	Black Lens Lumen	Cuttable length	Max Run	
FN-2835-120	Standard	120pcs/m	12/24VDC	9.6W/m	80+/90+	1300lm/m	195lm/m	12V=25mm, 24V=50mm	12V=3m, 24V=6m
	High Efficiency	128pcs/m	24VDC	11.5W/m	80+	1698lm/m	255lm/m	62.5mm	5m
	Short Cut	120pcs/m	24VDC	21.6W/m	80+/90+	1922lm/m	288lm/m	16.7mm	3.5m

SL-B503524

TRIMED RECESSED



RECOMMEND FLEXIBLE LIGHT SOURCE

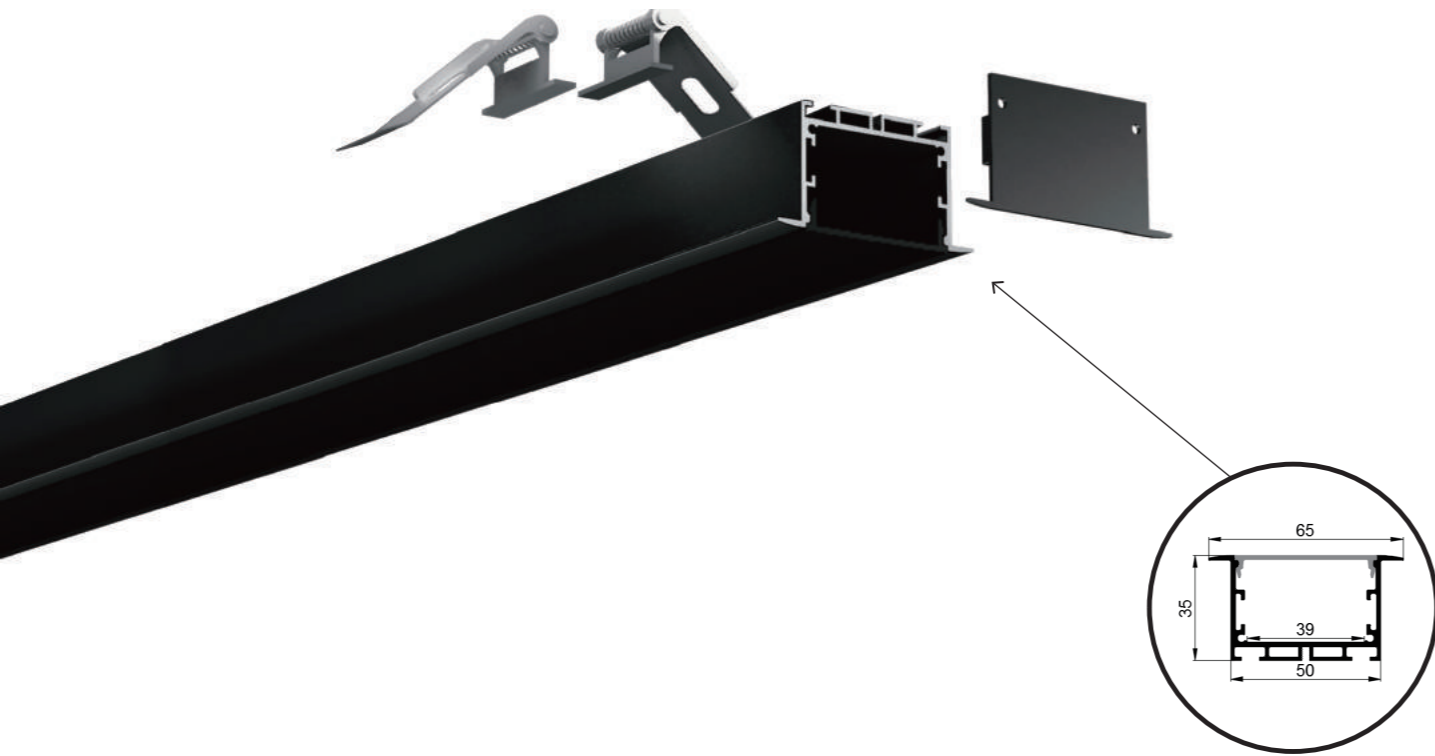


4000K 5000K 6000K

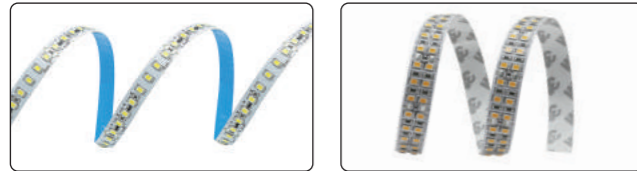
Model No.	LED QTY	Input Vol.	Power	CRI	Light Source Lumen	Black Lens Lumen	Cuttable length	Max Run	
FN-2835-240	Standard	240pcs/m	24VDC	28.8W/m	80+/90+	2600lm/m	390lm/m	25mm	5m
	High Efficiency	240pcs/m	24VDC	21.6W/m	80+/90+	3024lm/m	423lm/m	33.33mm	5m
FN-2835-120	Standard	120pcs/m	12/24VDC	9.6W/m	80+/90+	1300lm/m	195lm/m	12V=25mm, 24V=50mm	12V=3m, 24V=6m
	High Efficiency	128pcs/m	24VDC	11.5W/m	80+	1698lm/m	255lm/m	62.5mm	5m
	Short Cut	120pcs/m	24VDC	21.6W/m	80+/90+	1922lm/m	288lm/m	16.7mm	3.5m

SL-B653539

TRIMMED RECESSED



RECOMMEND FLEXIBLE LIGHT SOURCE



4000K

5000K

6000K

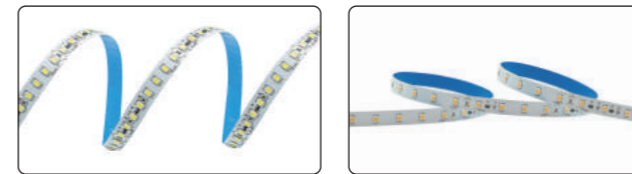
Model No.		LED QTY	Input Vol.	Power	CRI	Light Source Lumen	Black Lens Lumen	Cutttable length	Max Run
FN-2835-240	Standard	240pcs/m	24VDC	28.8W/m	80+/90+	2600lm/m	390lm/m	25mm	5m
	High Efficiency	240pcs/m	24VDC	21.6W/m	80+/90+	3024lm/m	423lm/m	33.33mm	5m
FN-2835-120	Standard	120pcs/m	12/24VDC	9.6W/m	80+/90+	1300lm/m	195lm/m	12V=25mm, 24V=50mm	12V=3m, 24V=6m
	High Efficiency	128pcs/m	24VDC	11.5W/m	80+	1698lm/m	255lm/m	62.5mm	5m
	Short Cut	120pcs/m	24VDC	21.6W/m	80+/90+	1922lm/m	288lm/m	16.7mm	3.5m

SL-B424213B

TRIMLESS IN ANGULAR RECESSED



RECOMMEND FLEXIBLE LIGHT SOURCE



4000K

5000K

6000K

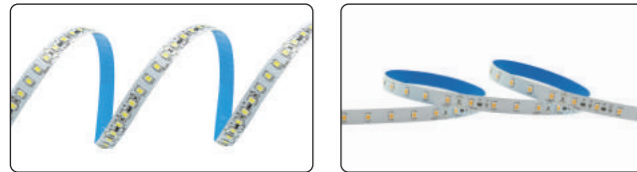
Model No.		LED QTY	Input Vol.	Power	CRI	Light Source Lumen	Black Lens Lumen	Cutttable length	Max Run
FN-2835-120	Standard	120pcs/m	12/24VDC	9.6W/m	80+/90+	1300lm/m	195lm/m	12V=25mm, 24V=50mm	12V=3m, 24V=6m
	High Efficiency	128pcs/m	24VDC	11.5W/m	80+	1698lm/m	255lm/m	62.5mm	5m
	Short Cut	120pcs/m	24VDC	21.6W/m	80+/90+	1922lm/m	288lm/m	16.7mm	3.5m
FN-2835-60	Standard	60pcs/m	12/24VDC	14.4W/m	80+/90+	1050lm/m	158lm/m	12V=50mm, 24V=100mm	12V=4.5m, 24V=8m
	High Efficiency	64pcs/m	24VDC	7.68W/m	80+	1065lm/m	160lm/m	125	5m
	Long Run	60pcs/m	24VDC	2.4W/m	80+/90+	211lm/m	32lm/m	100mm	50m
	Short Cut	60pcs/m	24VDC	14.4W/m	80+/90+	1239lm/m	186lm/m	33.3mm	5.5m

SL-B424213A

TRIMLESS OUT ANGULAR RECESSED



RECOMMEND FLEXIBLE LIGHT SOURCE



4000K

5000K

6000K

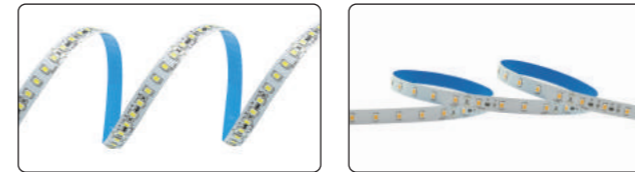
Model No.		LED QTY	Input Vol.	Power	CRI	Light Source Lumen	Black Lens Lumen	Cuttable length	Max Run
FN-2835-120	Standard	120pcs/m	12/24VDC	9.6W/m	80+/90+	1300lm/m	195lm/m	12V=25mm, 24V=50mm	12V=3m, 24V=6m
	High Efficiency	128pcs/m	24VDC	11.5W/m	80+	1698lm/m	255lm/m	62.5mm	5m
	Short Cut	120pcs/m	24VDC	21.6W/m	80+/90+	1922lm/m	288lm/m	16.7mm	3.5m
FN-2835-60	Standard	60pcs/m	12/24VDC	14.4W/m	80+/90+	1050lm/m	158lm/m	12V=50mm, 24V=100mm	12V=4.5m, 24V=8m
	High Efficiency	64pcs/m	24VDC	7.68W/m	80+	1065lm/m	160lm/m	125	5m
	Long Run	60pcs/m	24VDC	2.4W/m	80+/90+	211lm/m	32lm/m	100mm	50m
	Short Cut	60pcs/m	24VDC	14.4W/m	80+/90+	1239lm/m	186lm/m	33.3mm	5.5m

SL-B381213

TRIMLESS RECESSED



RECOMMEND FLEXIBLE LIGHT SOURCE



4000K

5000K

6000K

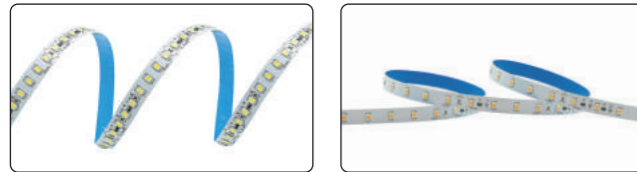
Model No.		LED QTY	Input Vol.	Power	CRI	Light Source Lumen	Black Lens Lumen	Cuttable length	Max Run
FN-2835-120	Standard	120pcs/m	12/24VDC	9.6W/m	80+/90+	1300lm/m	195lm/m	12V=25mm, 24V=50mm	12V=3m, 24V=6m
	High Efficiency	128pcs/m	24VDC	11.5W/m	80+	1698lm/m	255lm/m	62.5mm	5m
	Short Cut	120pcs/m	24VDC	21.6W/m	80+/90+	1922lm/m	288lm/m	16.7mm	3.5m
FN-2835-60	Standard	60pcs/m	12/24VDC	14.4W/m	80+/90+	1050lm/m	158lm/m	12V=50mm, 24V=100mm	12V=4.5m, 24V=8m
	High Efficiency	64pcs/m	24VDC	7.68W/m	80+	1065lm/m	160lm/m	125	5m
	Long Run	60pcs/m	24VDC	2.4W/m	80+/90+	211lm/m	32lm/m	100mm	50m
	Short Cut	60pcs/m	24VDC	14.4W/m	80+/90+	1239lm/m	186lm/m	33.3mm	5.5m

SL-B301914

CLOSET HANGING BAR



RECOMMEND FLEXIBLE LIGHT SOURCE



4000K

5000K

6000K

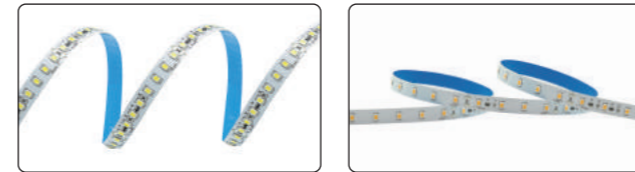
Model No.		LED QTY	Input Vol.	Power	CRI	Light Source Lumen	Black Lens Lumen	Cuttable length	Max Run
FN-2835-120	Standard	120pcs/m	12/24VDC	9.6W/m	80+/90+	1300lm/m	195lm/m	12V=25mm, 24V=50mm	12V=3m, 24V=6m
	High Efficiency	128pcs/m	24VDC	11.5W/m	80+	1698lm/m	255lm/m	62.5mm	5m
	Short Cut	120pcs/m	24VDC	21.6W/m	80+/90+	1922lm/m	288lm/m	16.7mm	3.5m
FN-2835-60	Standard	60pcs/m	12/24VDC	14.4W/m	80+/90+	1050lm/m	158lm/m	12V=50mm, 24V=100mm	12V=4.5m, 24V=8m
	High Efficiency	64pcs/m	24VDC	7.68W/m	80+	1065lm/m	160lm/m	125	5m
	Long Run	60pcs/m	24VDC	2.4W/m	80+/90+	211lm/m	32lm/m	100mm	50m
	Short Cut	60pcs/m	24VDC	14.4W/m	80+/90+	1239lm/m	186lm/m	33.3mm	5.5m

SL-B181410

INGROUND



RECOMMEND FLEXIBLE LIGHT SOURCE



4000K

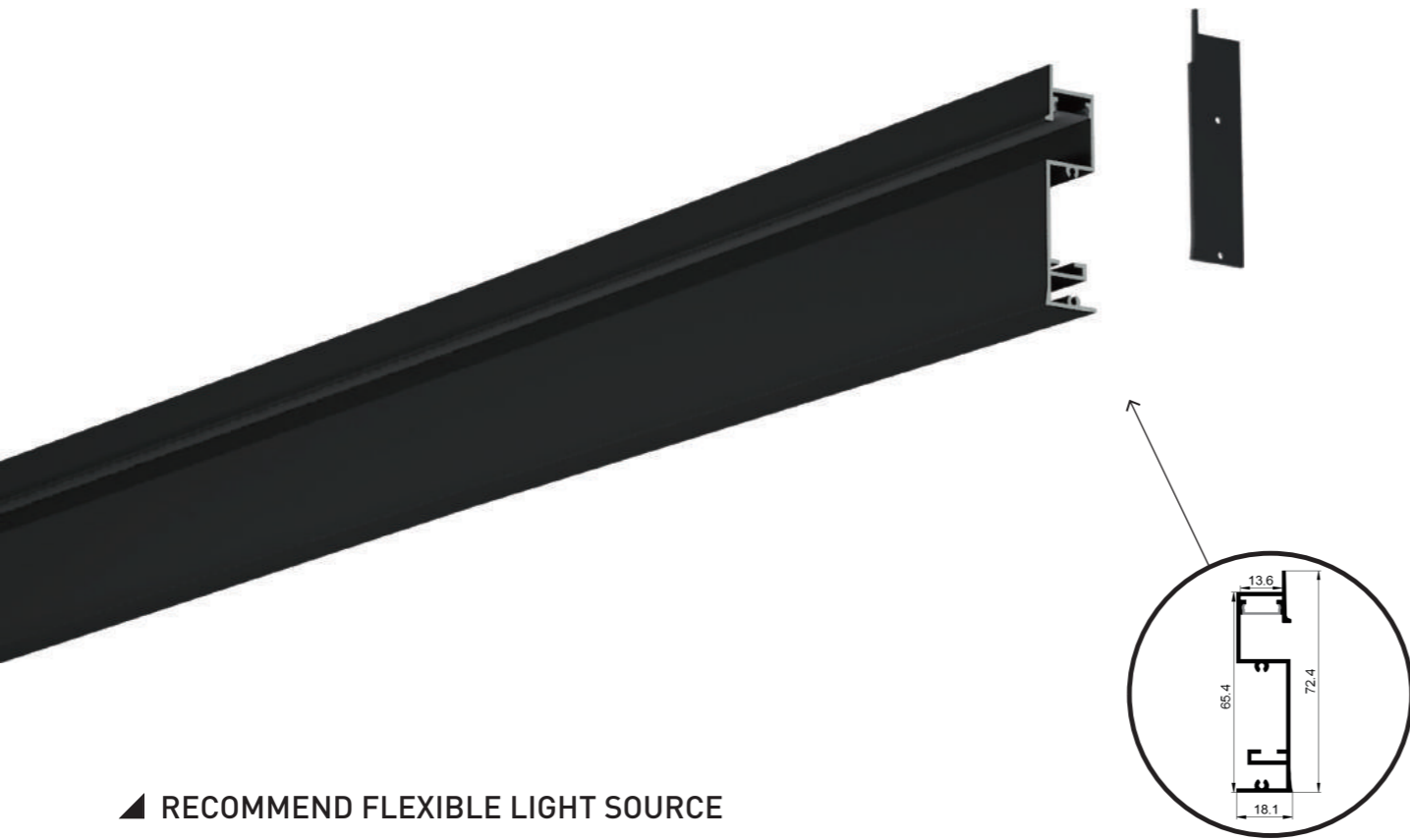
5000K

6000K

Model No.		LED QTY	Input Vol.	Power	CRI	Light Source Lumen	Black Lens Lumen	Cuttable length	Max Run
FN-2835-120	Standard	120pcs/m	12/24VDC	9.6W/m	80+/90+	1300lm/m	195lm/m	12V=25mm, 24V=50mm	12V=3m, 24V=6m
	High Efficiency	128pcs/m	24VDC	11.5W/m	80+	1698lm/m	255lm/m	62.5mm	5m
	Short Cut	120pcs/m	24VDC	21.6W/m	80+/90+	1922lm/m	288lm/m	16.7mm	3.5m
FN-2835-60	Standard	60pcs/m	12/24VDC	14.4W/m	80+/90+	1050lm/m	158lm/m	12V=50mm, 24V=100mm	12V=4.5m, 24V=8m
	High Efficiency	64pcs/m	24VDC	7.68W/m	80+	1065lm/m	160lm/m	125	5m
	Long Run	60pcs/m	24VDC	2.4W/m	80+/90+	211lm/m	32lm/m	100mm	50m
	Short Cut	60pcs/m	24VDC	14.4W/m	80+/90+	1239lm/m	186lm/m	33.3mm	5.5m

SL-B731813

SKIRTING



RECOMMEND FLEXIBLE LIGHT SOURCE



4000K

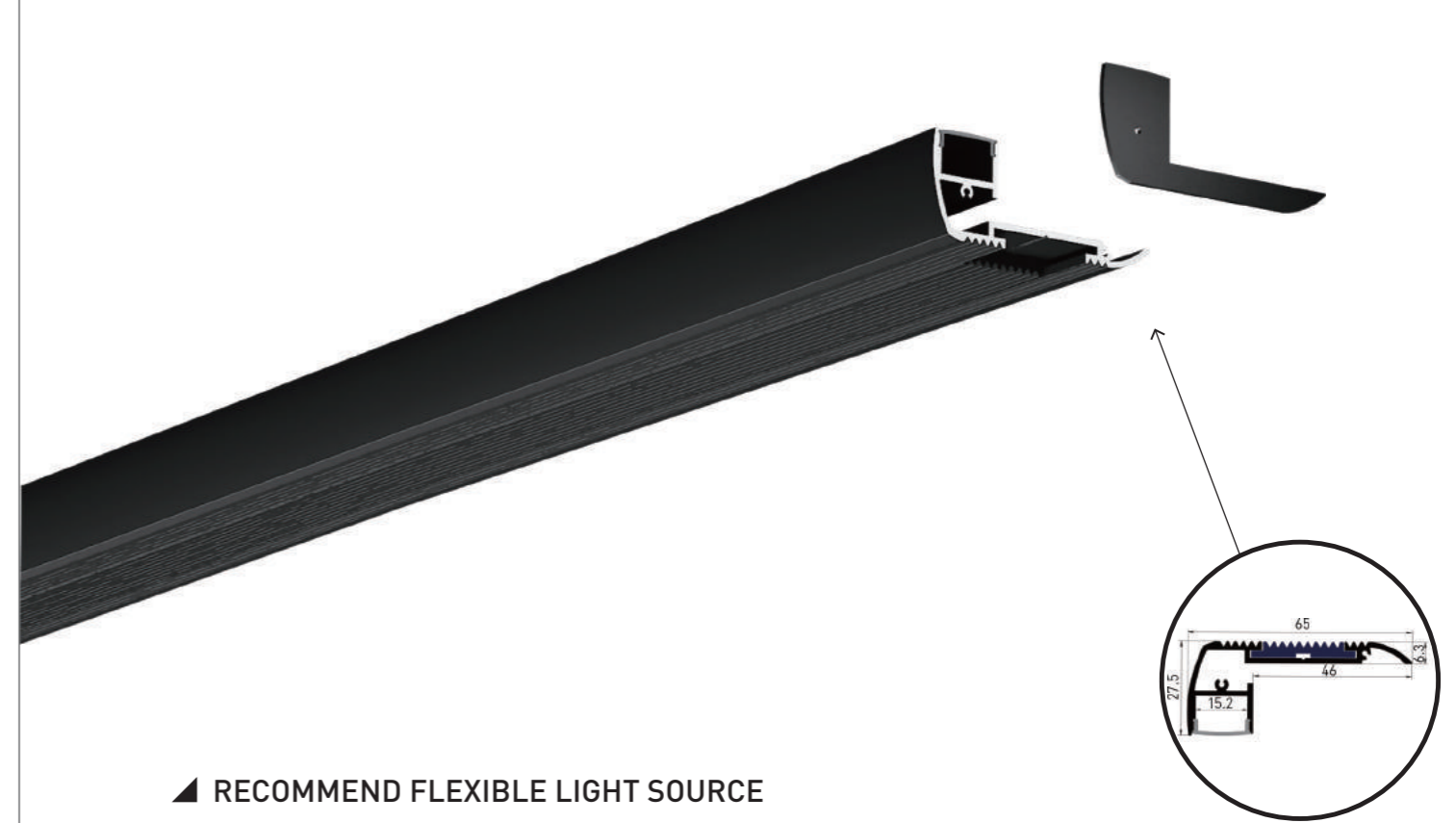
5000K

6000K

Model No.		LED QTY	Input Vol.	Power	CRI	Light Source Lumen	Black Lens Lumen	Cuttible length	Max Run
FN-2835-30	Standard	30pcs/m	12/24VDC	7.2W/m	80+/90+	590lm/m	89lm/m	12V=100mm, 24V=200mm	12V=7m, 24V=12m
	Short Cut	30pcs/m	12/24VDC	7.2W/m	80+/90+	619lm/m	93lm/m	12V=33.3mm, 24V=67.7mm	5m
FN-2835-60	Standard	60pcs/m	12/24VDC	14.4W/m	80+/90+	1050lm/m	158lm/m	12V=50mm, 24V=100mm	12V=4.5m, 24V=8m
	High Efficiency	64pcs/m	24VDC	7.68W/m	80+	1065lm/m	160lm/m	125	5m
	Long Run	60pcs/m	24VDC	2.4W/m	80+/90+	211lm/m	32lm/m	100mm	50m
	Short Cut	60pcs/m	24VDC	14.4W/m	80+/90+	1239lm/m	186lm/m	33.3mm	5.5m
FN-2835-120	Standard	120pcs/m	12/24VDC	9.6W/m	80+/90+	1300lm/m	195lm/m	12V=25mm, 24V=50mm	12V=3m, 24V=6m
	High Efficiency	128pcs/m	24VDC	11.5W/m	80+	1698lm/m	255lm/m	62.5mm	5m
	Short Cut	120pcs/m	24VDC	21.6W/m	80+/90+	1922lm/m	288lm/m	16.7mm	3.5m

SL-B652815

STAIRS



RECOMMEND FLEXIBLE LIGHT SOURCE



4000K

5000K

6000K

Model No.		LED QTY	Input Vol.	Power	CRI	Light Source Lumen	Black Lens Lumen	Cuttible length	Max Run
FN-2835-30	Standard	30pcs/m	12/24VDC	7.2W/m	80+/90+	590lm/m	89lm/m	12V=100mm, 24V=200mm	12V=7m, 24V=12m
	Short Cut	30pcs/m	12/24VDC	7.2W/m	80+/90+	619lm/m	93lm/m	12V=33.3mm, 24V=67.7mm	5m
FN-2835-60	Standard	60pcs/m	12/24VDC	14.4W/m	80+/90+	1050lm/m	158lm/m	12V=50mm, 24V=100mm	12V=4.5m, 24V=8m
	High Efficiency	64pcs/m	24VDC	7.68W/m	80+	1065lm/m	160lm/m	125	5m
	Long Run	60pcs/m	24VDC	2.4W/m	80+/90+	211lm/m	32lm/m	100mm	50m
	Short Cut	60pcs/m	24VDC	14.4W/m	80+/90+	1239lm/m	186lm/m	33.3mm	5.5m
FN-2835-120	Standard	120pcs/m	12/24VDC	9.6W/m	80+/90+	1300lm/m	195lm/m	12V=25mm, 24V=50mm	12V=3m, 24V=6m
	High Efficiency	128pcs/m	24VDC	11.5W/m	80+	1698lm/m	255lm/m	62.5mm	5m
	Short Cut	120pcs/m	24VDC	21.6W/m	80+/90+	1922lm/m	288lm/m	16.7mm	3.5m

SL-B701005

UP AND DOWN SKIRTING LUNINAIRE



RECOMMEND FLEXIBLE LIGHT SOURCE



4000K

5000K

6000K

Model No.	FPC Width	LED QTY	Input Vol.	Power	CRI	Light Source Lumen	Black Lens Lumen	Cuttable length	Max Run
MINI FN-2835-60	5mm	60pcs/m	12/24VDC	14.8W/m	80+/90+	100lm/m	15lm/m	12V=50mm, 24V=100mm	12V=3m, 24V=5m
MINI FN-2835-120	4mm	120pcs/m	12/24VDC	9.6W/m	80+/90+	956lm/m	143lm/m	12V=25mm, 24V=50mm	12V=1.5m, 24V=3m
MINI FN-5630-60	5mm	60pcs/m	24VDC	9.6W/m	80+/90+	1900lm/m	285lm/m	100mm	2m