

vivaly^{te}

LED PROFILE CATALOGUE

VIVALYTE B.V.
Tel.: +32 56 42 65 35
Mail: info@vivalyte.com Web: www.vivalyte.com
Add.: Kouterstraat 6, Wevelgem, B-8560, Belgium VAT: BE500611159

VIVALYTE DECO LINEAR LIGHT 2020-2021

vivaly^{te}

DECO LINEAR
LIGHTING

TOP5 REASONS TO CHOOSE OUR LINEAR LIGHTING

1

BEST-IN-CLASS SERVICES

- Customized spec support, private label service
 - 24 hours response policy
 - Solution offering with result-oriented
 - Technical, Sales, Marketing team service
-

2

EXPERIENCE YOU CAN TRUST

- Aiming to long-term partner relationship
 - Focus on the advantage LED manufacturing technology
 - Serving for High-end Market over since 2004, 1000+ employees
 - Over than 55 million US Dollar annual sales
-

3

CLASSIC ENGINEERING DESIGN

- Modular system offers more than million variations
 - Blue light hazard less lighting source
 - Min labor cost on installation & maintenance
-

4

HIGH STANDARD QUALITY CONTROL

- TÜV Rheinland authorized laboratory
 - Operations accredited to ISO 9001:2008
 - 50% overseas sales in North America, all products meet all regulatory requirements including Title 24 and other unique standards
 - Over than 20 process on reliability testing for one item
-

5

ODM & OEM AVAILABLE

- 55 Engineers team
 - Over than 50 R&D Patents
 - Strong Supply Chain System
-

CONTENT

001	TOP 5 TO CHOOSE OUR LINEAR LIGHT
003	CHOOSE PROFILE
005	PROFILE LAYOUT
013	CHOOSE ILLUMINANT
023	CHOOSE TERMINAL
029	ANGULAR SURFACE MOUNTED
065	MINI SERIES
105	VERTICAL SURFACE MOUNTED SERIES
199	U LENS SERIES
261	PENDANT SERIES
326	TRIMLESS RECESSED SERIES
375	TRIMMED RECESSED SERIES
433	WALL MOUNTED SERIES
448	CLOSET SERIES
453	MAGNETIC SURFACE MOUNTED SERIES
469	IP44 SERIES
480	SKIRTING SERIES
503	INGROUND SERIES
515	STAIRS SERIES
527	CARPET SERIES
533	SHELF BOARD SERIES
537	OPTICAL SERIES
589	BENDING SERIES

CHOOSE PROFILE

ANGULAR SURFACE MOUNTED SERIES

01 /  

- 1 Opal
- 2 Diffuser
- 3 Clear

MINI SERIES

02 /  

- 1 Opal
- 2 Diffuser
- 3 Clear

VERTICAL SURFACE MOUNTED SERIES

03 /  

- 1 Opal
- 2 Diffuser
- 3 Clear

VERTICAL SURFACE MOUNTED - U LENS

04 /  

- 1 Opal
- 2 Diffuser
- 3 Clear

PENDANT SERIES

05 /  



- 1 Opal
- 2 Diffuser

TRIMLESS RECESSED SERIES

06 /  



- 1 Opal
- 2 Diffuser
- 3 Clear

TRIMED RECESSED SERIES

07 /  

- 1 Opal
- 2 Diffuser
- 3 Clear

WALL MOUNTED SERIES



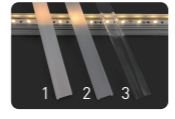
08 /  

- 1 Opal
- 2 Diffuser
- 3 Clear


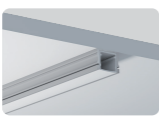
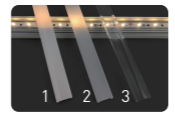
CLOSET SERIES

09 /    **1** Opal
2 Diffuser
3 Clear

MAGNETIC SURFACE MOUNTED SERIES

10 /    **1** Opal
2 Diffuser
3 Clear

IP44 SERIES

11 /    **1** Opal
2 Diffuser
3 Clear

SKIRTING SERIES

12 /    **1** Opal
2 Diffuser
3 Clear


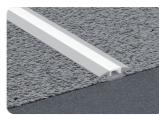

INGRUND SERIES

13 /    **1** Opal
2 Diffuser
3 Clear

STAIRS SERIES

14 /    **1** Opal
2 Diffuser
3 Clear


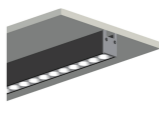

CARPET SERIES

15 /    **1** Opal
2 Diffuser
3 Clear

SHELF BOARD SERIES

16 /    **1** Opal
2 Diffuser
3 Clear

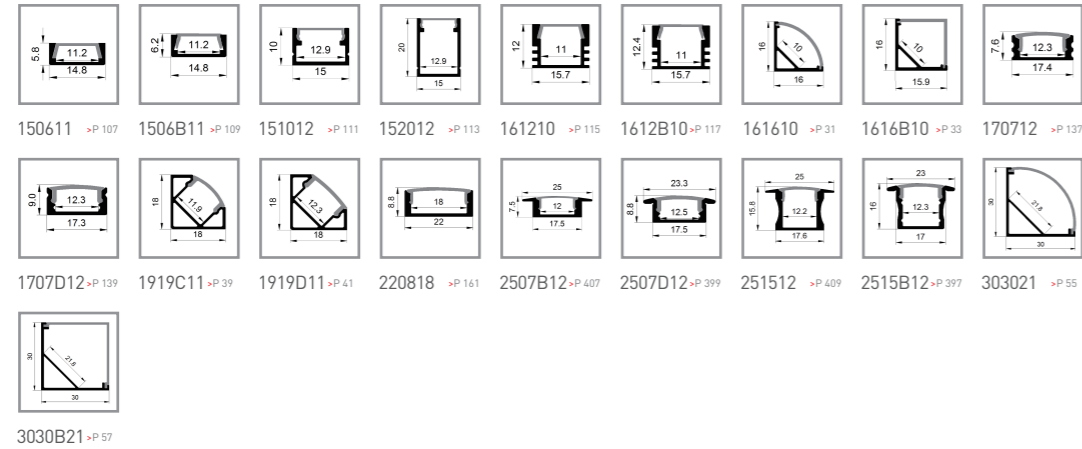
OPTICAL SERIES

17 /    **1** Clear

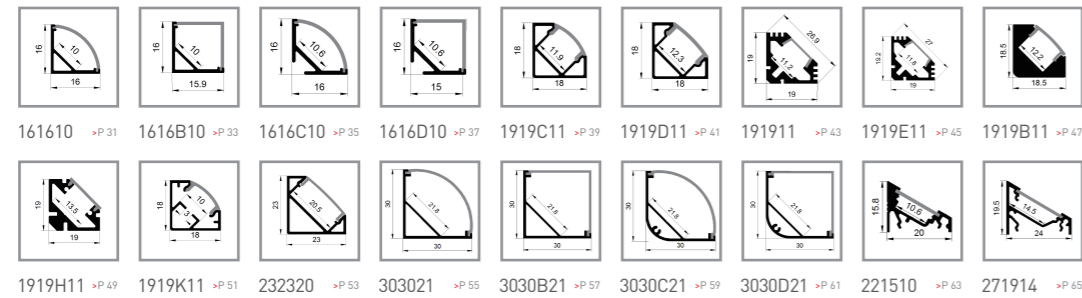
BENDING SERIES

18 /    **1** Opal
2 Diffuser
3 Clear

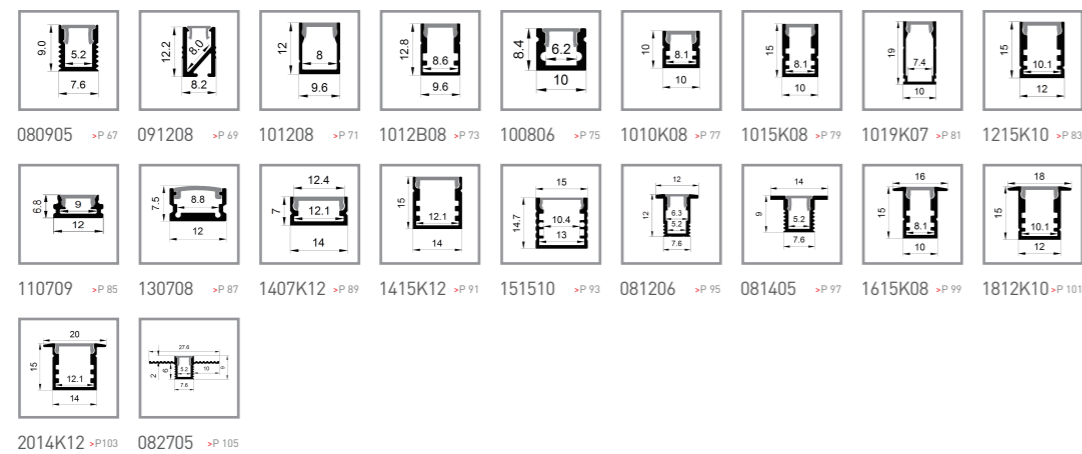
Hot-Sale Series



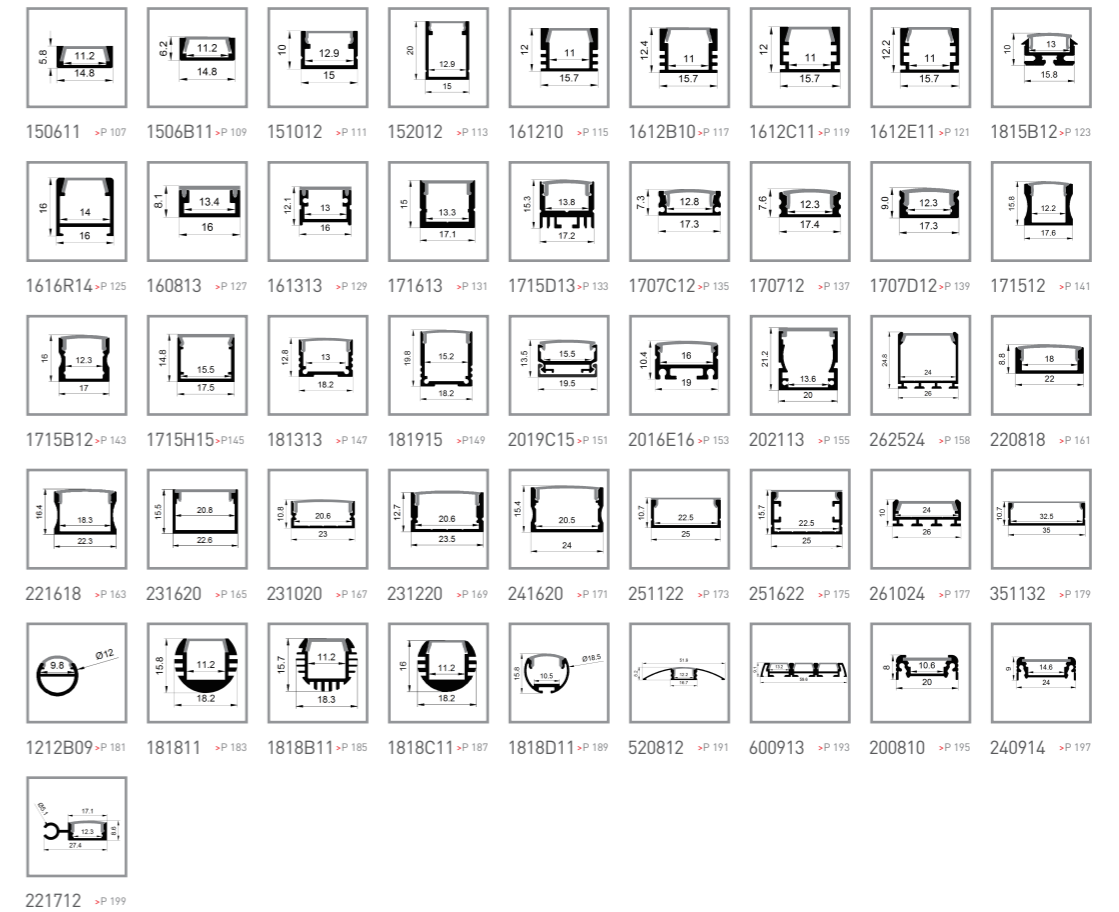
Angular Surface Mounted



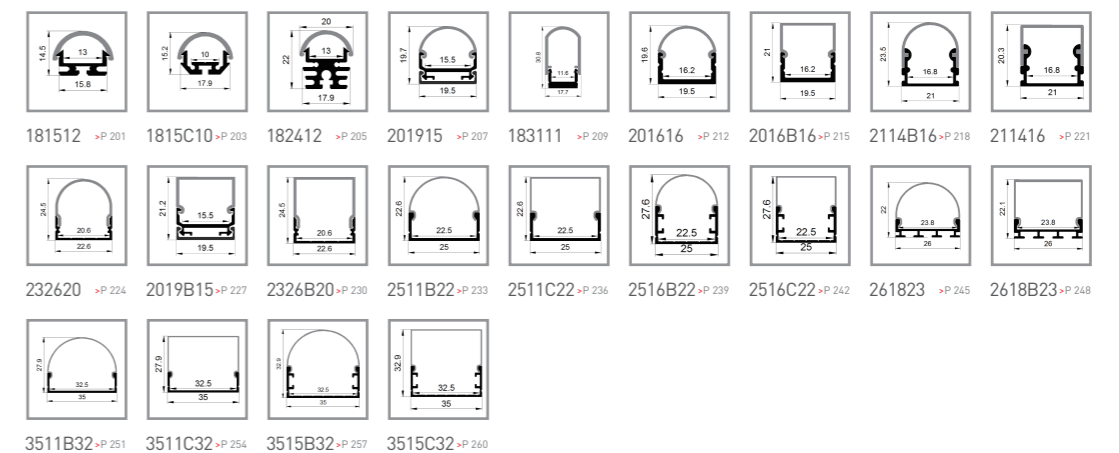
Mini



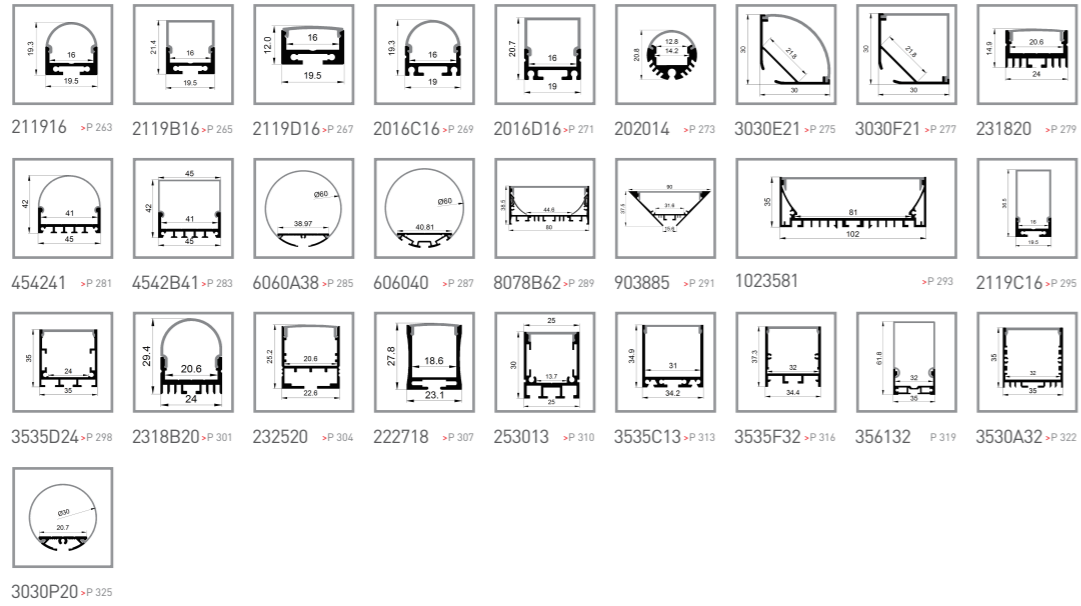
Vertical Surface Mounted



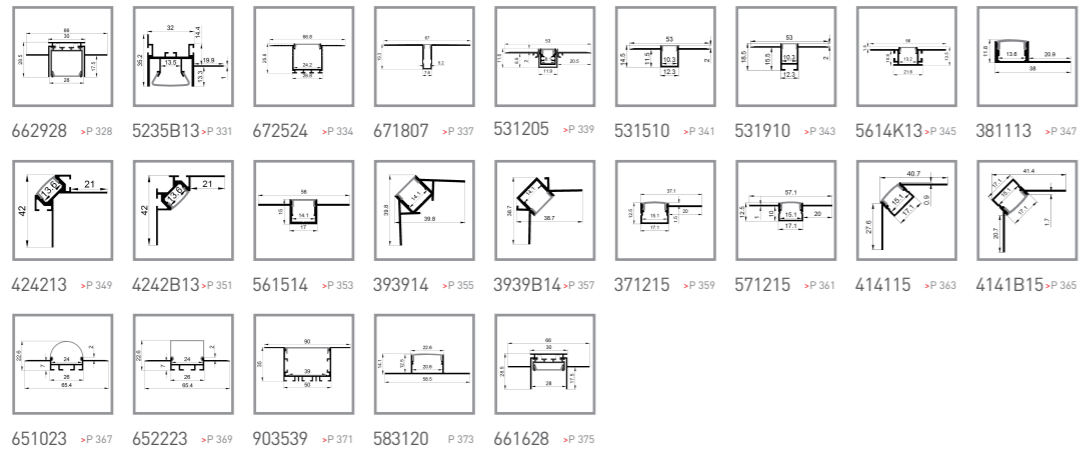
Vertical Surface Mounted- U lens



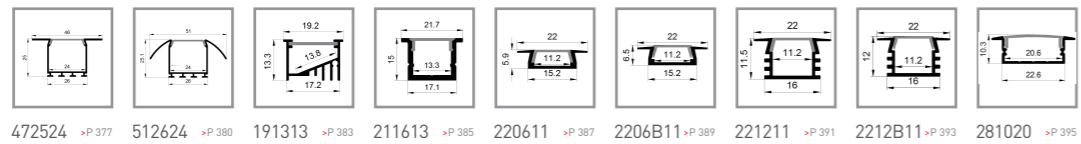
Pendant



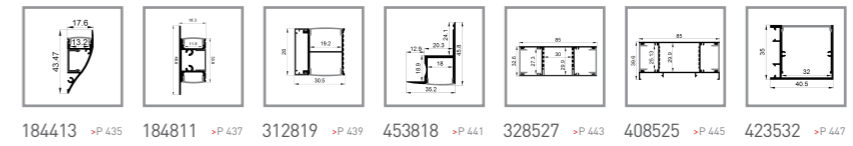
Trimless Recessed



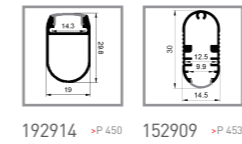
Trimmed Recessed



Wall Mounted



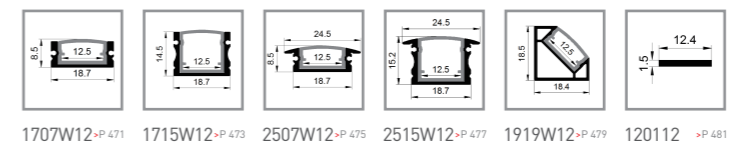
Closet Series



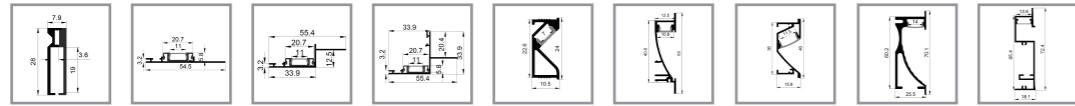
Magnetic Surface Mounted



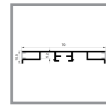
IP44 Series



Skirting Series



082819 >P 482 540511 >P 483 5405B11 >P 485 5405C11 >P 487 241107 >P 489 531310 >P 491 401611 >P 494 702614 >P 497 731813 >P 500



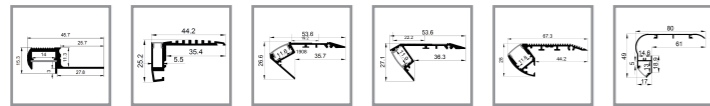
701105 >P 503

Inground Series



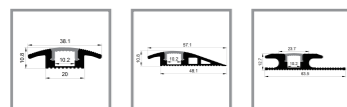
181410 >P 505 190811 >P 507 1908B10 >P 509 212612 >P 511 262611 >P 513 271112 >P 515

Stairs Series



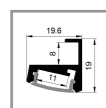
451514 >P 517 452508 >P 519 552811 >P 521 5528B11 >P 523 662811 >P 525 805013 >P 527

Carpet Series



3810R10 >P 529 5710R10 >P 531 6310R10 >P 533

Shelf board Series



191811 >P 535

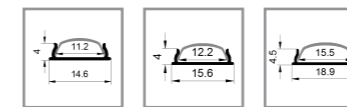
Optical Series



253520 >P 537
Asymmetric 18°
Asymmetric 25°
Flood 60x90°
Flood 90x110°
Flood 130x110°

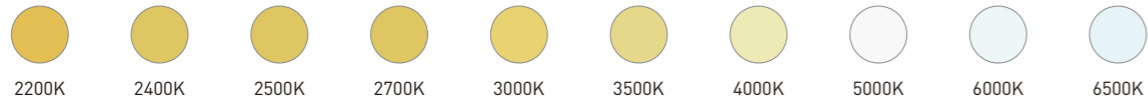
253518 >P 539
Spot 30°
Flood 50°

Bending



140711 >P 541 150712 >P 543 108715 >P 545

CHOOSE ILLUMINANT



VFN-2835T-30 (12/24VDC)

L Max Run 12V=8.5m 24V=14m	C_{ct} 2200K, 2400K, 2500K, 2700K 3000K, 3500K, 4000K, 5000K, 6500K	Power 7.2W/m	
--	---	------------------------	--

VFN-F2835A-30 (12/24VDC)

L Max Run 12V=5m 24V=5m	C_{ct} 2200K, 2400K, 2500K, 2700K 3000K, 3500K, 4000K, 5000K, 6500K	Power 7.2W/m	
---	---	------------------------	--

VFN-2835T-60 (12/24VDC)

L Max Run 12V=5m 24V=9m	C_{ct} 2200K, 2400K, 2500K, 2700K 3000K, 3500K, 4000K, 5000K, 6500K	Power 14.4W/m	
---	---	-------------------------	--

VFN-H2835T-64 (24VDC)

L Max Run 24V=5m	C_{ct} 2200K, 2400K, 2500K, 2700K 3000K, 3500K, 4000K, 5000K, 6500K	Power 7.68W/m	
-------------------------------	---	-------------------------	--

VFN-H28350-80 (24VDC)

L Max Run 24V=4m	C_{ct} 2200K, 2400K, 2500K, 2700K 3000K, 3500K, 4000K, 5000K, 6500K	Power 14.4W/m	
-------------------------------	---	-------------------------	--

VLN-2835T-60 (24VDC)

L Max Run 24V=21m 24V=50m	C_{ct} 2200K, 2400K, 2500K, 2700K 3000K, 3500K, 4000K, 5000K, 6500K	Power 5.0W/m 2.4W/m	
---	---	----------------------------------	--

VLN-2835T-56 (48VDC)

L Max Run 48V=35m	C_{ct} 2200K, 2400K, 2500K, 2700K 3000K, 3500K, 4000K, 5000K, 6500K	Power 5.76W/m	
--------------------------------	---	-------------------------	--

VFN-F2835A-60 (12VDC)

L Max Run 12V=5.5m	C_{ct} 2200K, 2400K, 2500K, 2700K 3000K, 3500K, 4000K, 5000K, 6500K	Power 14.4W/m	
---------------------------------	---	-------------------------	--

VFN-2835T-120 (12/24VDC)

L Max Run 12V=5m 24V=9m	C_{ct} 2200K, 2400K, 2500K, 2700K 3000K, 3500K, 4000K, 5000K, 6500K	Power 14.4W/m	
---	---	-------------------------	--

VFN-H2835T-128 (24VDC)

L Max Run 24V=6m	C_{ct} 2200K, 2400K, 2500K, 2700K 3000K, 3500K, 4000K, 5000K, 6500K	Power 11.52W/m	
-------------------------------	---	--------------------------	--

VFN-H28350-160 (24VDC)

L Max Run 24V=3m	C_{ct} 2200K, 2400K, 2500K, 2700K 3000K, 3500K, 4000K, 5000K, 6500K	Power 24W/m	
-------------------------------	---	-----------------------	--

VFN-H2835T-160 (24VDC)

L Max Run 24V=5m	C_{ct} 2200K, 2400K, 2500K, 2700K 3000K, 3500K, 4000K, 5000K, 6500K	Power 14.4W/m	
-------------------------------	---	-------------------------	--

VFN-H28350-192 (24VDC)

L Max Run 24V=2.5m	C_{ct} 2200K, 2400K, 2500K, 2700K 3000K, 3500K, 4000K, 5000K, 6500K	Power 28.8W/m	
---------------------------------	---	-------------------------	--

VLN-2835T-80 (36VDC)

L Max Run 36V=50m	C_{ct} 2200K, 2400K, 2500K, 2700K 3000K, 3500K, 4000K, 5000K, 6500K	Power 5.18W/m	
--------------------------------	---	-------------------------	--

VLN-2835T-112 (48VDC)

L Max Run 48V=25m	C_{ct} 2200K, 2400K, 2500K, 2700K 3000K, 3500K, 4000K, 5000K, 6500K	Power 11.52W/m	
--------------------------------	---	--------------------------	--

VLN-2835T-120 (24VDC)

L Max Run 24V=21m	C_{ct} 2200K, 2400K, 2500K, 2700K 3000K, 3500K, 4000K, 5000K, 6500K	Power 6W/m
--------------------------------	---	----------------------

VFN-F2835A-120 (24VDC)

L Max Run 24V=3.5m	C_{ct} 2200K, 2400K, 2500K, 2700K 3000K, 3500K, 4000K, 5000K, 6500K	Power 21.6W/m
---------------------------------	---	-------------------------

VCN-2016-180 (24VDC)

L Max Run 24V=33m	C_{ct} 2200K, 2400K, 2500K, 2700K 3000K, 3500K, 4000K, 5000K, 6500K	Power 12.96W ±10%
--------------------------------	---	--------------------------------

VFN-2016-240 (24VDC)

L Max Run 24V=25m	C_{ct} 2200K, 2400K, 2500K, 2700K 3000K, 3500K, 4000K, 5000K, 6500K	Power 17.28W ±10%
--------------------------------	---	--------------------------------

VFN-2016-266 (24VDC)

L Max Run 24V=3m	C_{ct} 2200K, 2400K, 2500K, 2700K 3000K, 3500K, 4000K, 5000K, 6500K	Power 16.42W/m
-------------------------------	---	--------------------------

VFN-2835T-240 (24VDC)

L length 1.97"	C_{ct} 2200K, 2400K, 2500K, 2700K 3000K, 3500K, 4000K, 5000K, 6500K	Power 28.8W/m
-----------------------------	---	-------------------------

VFN-H28350-240 (24VDC)

L Max Run 24V=2.5m	C_{ct} 2200K, 2400K, 2500K, 2700K 3000K, 3500K, 4000K, 5000K, 6500K	Power 36W/m
---------------------------------	---	-----------------------

VFN-H28350-288 (24VDC)

L Max Run 24V=2m	C_{ct} 2200K, 2400K, 2500K, 2700K 3000K, 3500K, 4000K, 5000K, 6500K	Power 43.2W/m
-------------------------------	---	-------------------------

VFN-H2835-240 (24VDC)

L Max Run 24V=7m	C_{ct} 2200K, 2400K, 2500K, 2700K 3000K, 3500K, 4000K, 5000K, 6500K	Power 21.6W/m	
-------------------------------	---	-------------------------	--

VFN-2835T-432 (24VDC)

L Max Run 24V=5m	C_{ct} 2200K, 2400K, 2500K, 2700K 3000K, 3500K, 4000K, 5000K, 6500K	Power 51.84W/m	
-------------------------------	---	--------------------------	--

VFN-H28350-320 (24VDC)

L Max Run 24V=2m	C_{ct} 2200K, 2400K, 2500K, 2700K 3000K, 3500K, 4000K, 5000K, 6500K	Power 57.6W/m	
-------------------------------	---	-------------------------	--

VFN-H2835T-432 (24VDC)

L Max Run 24V=5m	C_{ct} 2200K, 2400K, 2500K, 2700K 3000K, 3500K, 4000K, 5000K, 6500K	Power 38.88W/m	
-------------------------------	---	--------------------------	--

VMN-2835A-60 (24VDC)

L Max Run 24V=5m	C_{ct} 2200K, 2400K, 2500K, 2700K 3000K, 3500K, 4000K, 5000K, 6500K	Power 4.8W/m	
-------------------------------	---	------------------------	--

VMN-2835A-120 (24VDC)

L Max Run 24V=3m	C_{ct} 2200K, 2400K, 2500K, 2700K 3000K, 3500K, 4000K, 5000K, 6500K	Power 9.6W/m	
-------------------------------	---	------------------------	--

VMN-2110-238 (24VDC)

L Max Run 24V=2m	C_{ct} 2200K, 2400K, 2500K, 2700K 3000K, 3500K, 4000K, 5000K, 6500K	Power 12.24W/m	
-------------------------------	---	--------------------------	--

VMN-5730A-60 (24VDC)

L Max Run 24V=2m	C_{ct} 2200K, 2400K, 2500K, 2700K 3000K, 3500K, 4000K, 5000K, 6500K	Power 28.8W/m	
-------------------------------	---	-------------------------	--

VTN-H2835T-160 -WN (24VDC)

L Max Run 24V=2.5m	Cct 2600K-2800K, 2800K-3200K, 3800K-4300K, 4700K-5300K, 5800K-6800K	Power 14.4W/m	
---------------------------------	---	-------------------------	--

VLN-2835T-168 (24VDC)

L Max Run 24V=9.5m	Cct 2600K-2800K, 2800K-3200K, 3800K-4300K, 4700K-5300K, 5800K-6800K	Power 11.52W/m	
---------------------------------	---	--------------------------	--

VPTW-2835T-168 (24VDC)

L Max Run 24V=5m	Cct 2850K-2550K, 3100K-2800K, 4200K-3900K, 5100K-4600K 6800K -6300K,	Power 14.4W/m	
-------------------------------	--	-------------------------	--

VTN-4040RGB+2835T-192 (24VDC)

L Max Run 24V=3.5m	Cct W 2900K , R 620K-630K G 515K-530K , B 460K-470K RGB 100000K, RGB+W 7748K	Power 24.96W/m	
---------------------------------	--	--------------------------	--

EXTERNAL SWITCH



EX-DBS
External door
blocking switch.



EX-IRS
External IR(Infrared)
sensor switch



EX-MOS
External Motion
Sensor switch



EX-TOS
External Touching
Sensor switch

BUILT-IN SWITCH



IN-IRS
Built-in IR(Infrared)
sensor switch

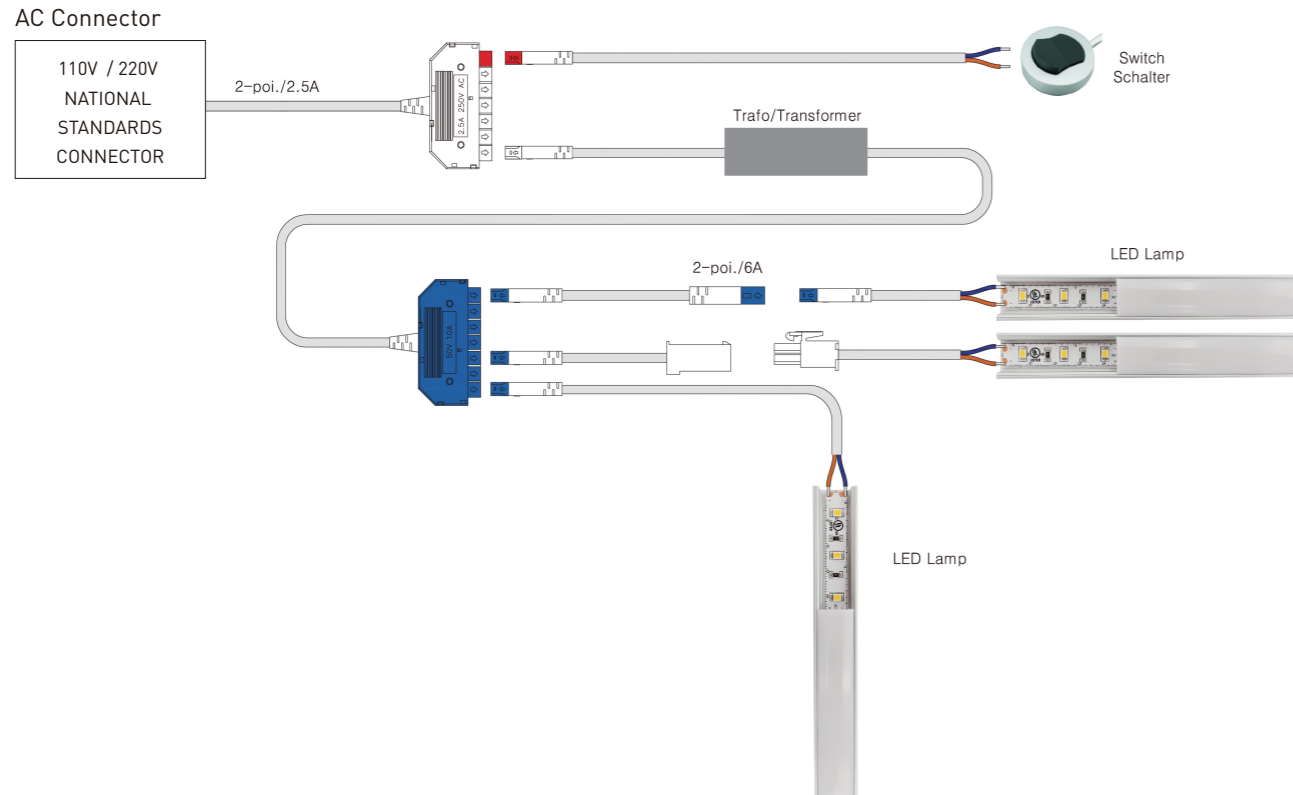


IN-MOS
Built-in Motion
sensor switch



IN-TOS
Built-in Touching
Sensor switch

CHOOSE TERMINAL



Mini A500 QUICK CONNECTION SYSTEM



Input Cable

- mini male connector
- max in 50V/6A
- tinned end
- 2x0.75mm² white cable
- blue



Input Cable

- mini female connector
- max in 50V/6A
- terminal ends
- x0.75mm² white cable
- blue



Extension Cable

- mini male & female connector
- max in 50V/6A
- 2x0.75mm² white cable
- blue



Input Cable

- mini male connector
- max in 50V/6A
- tinned end
- 2x0.75mm² white cable
- red



Coded supply lead

- mini female connector
- terminal ends
- 50V/6A
- 2x0.75mm² white cable
- red



Coded extension lead

- Extension cable
- mini male & female connector
- 50V/6A
- 2x0.75mm² white cable
- red



Junction Box

- 6-way distributor+ switch (red hole=switch)
- 50V/10A
- 2x0.75mm² white cable
- blue



Junction Box

- 6-way distributor (1way closed)
- 50V/10A
- 2x0.75mm² white cable
- blue



Junction box

- 2-way distributor
- terminal ends
- 50V/10A
- HO3VVH2-F
- 2x0.75mm² white cable
- blue



Build-in Recessed Socket

- white



Build-in Recessed Socket

- 50V/6A
- mini connector + mini femal socket
- blue



Surface mounted switch Ø65

- end mini A500 red connector
- 2.5A/250V AC
- 2x0.75mm² white cable
- silver color

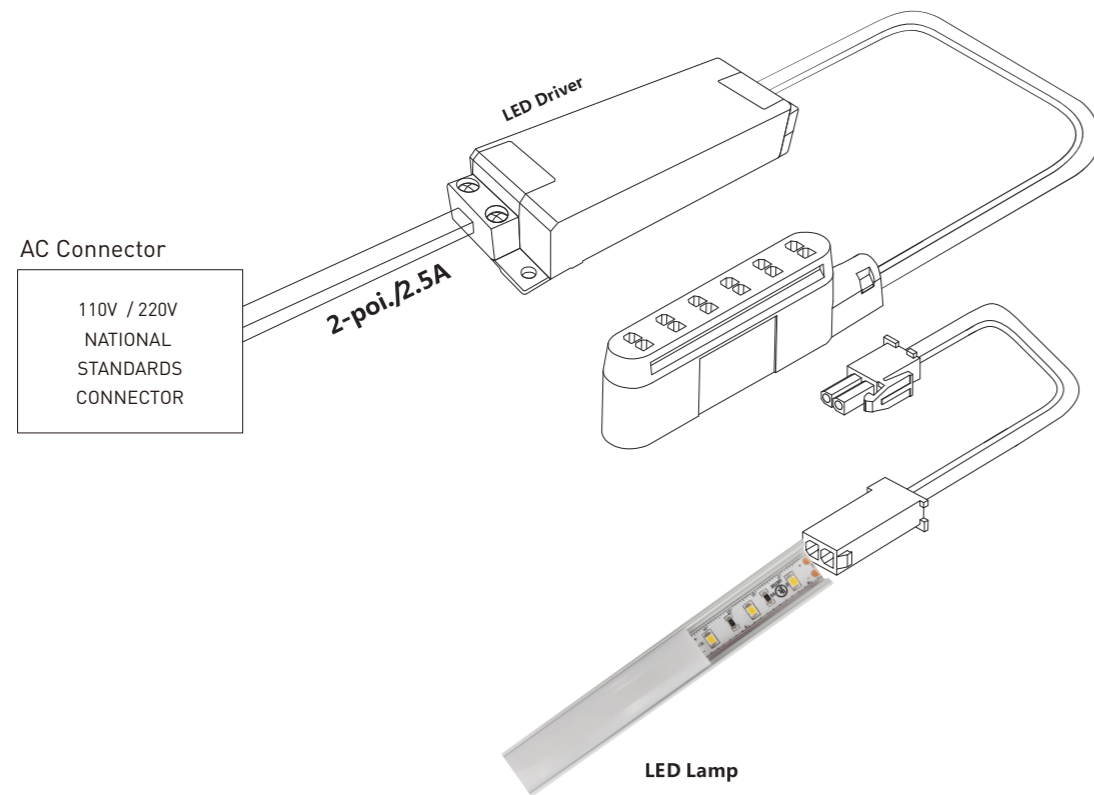


Recess Switch Ø65

- end mini A500 redconnector
- 2.5A/250V AC
- 2x0.75mm² white cable
- silver color



MINI AMP QUICK CONNECTION SYSTEM



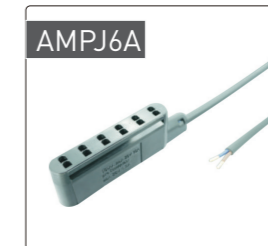
- 10-way Junction Box**
- 10-way distributor
 - terminal ends
 - 12~ 30V/10A
 - 2x0.75mm² white cable
 - parallel or serial
 - screws fixing
 - white



- 3-way Junction Box**
- 3-way distributor
 - 12~ 30V/10A
 - 2x0.75mm² black cable
 - parallel or serial
 - black



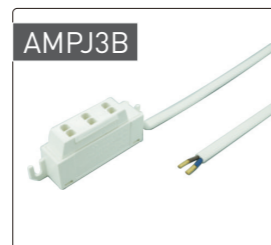
- 3-way Junction Box**
- 3-way distributor
 - 12~ 30V/10A
 - 2x0.75mm² black cable
 - parallel or serial
 - screws fixing
 - black



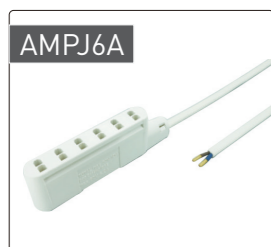
- 6-way Junction Box**
- 6-way distributor
 - 12~ 30V/10A
 - 2x0.75mm² black cable
 - parallel or serial
 - black



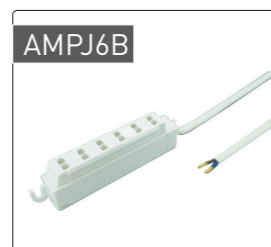
- 3-way Junction Box**
- 3-way distributor
 - 12~ 30V/10A
 - 2x0.75mm² white cable
 - parallel or serial
 - white



- 3-way Junction Box**
- 3-way distributor
 - 12~ 30V/10A
 - 2x0.75mm² white cable
 - parallel or serial
 - screws fixing
 - white



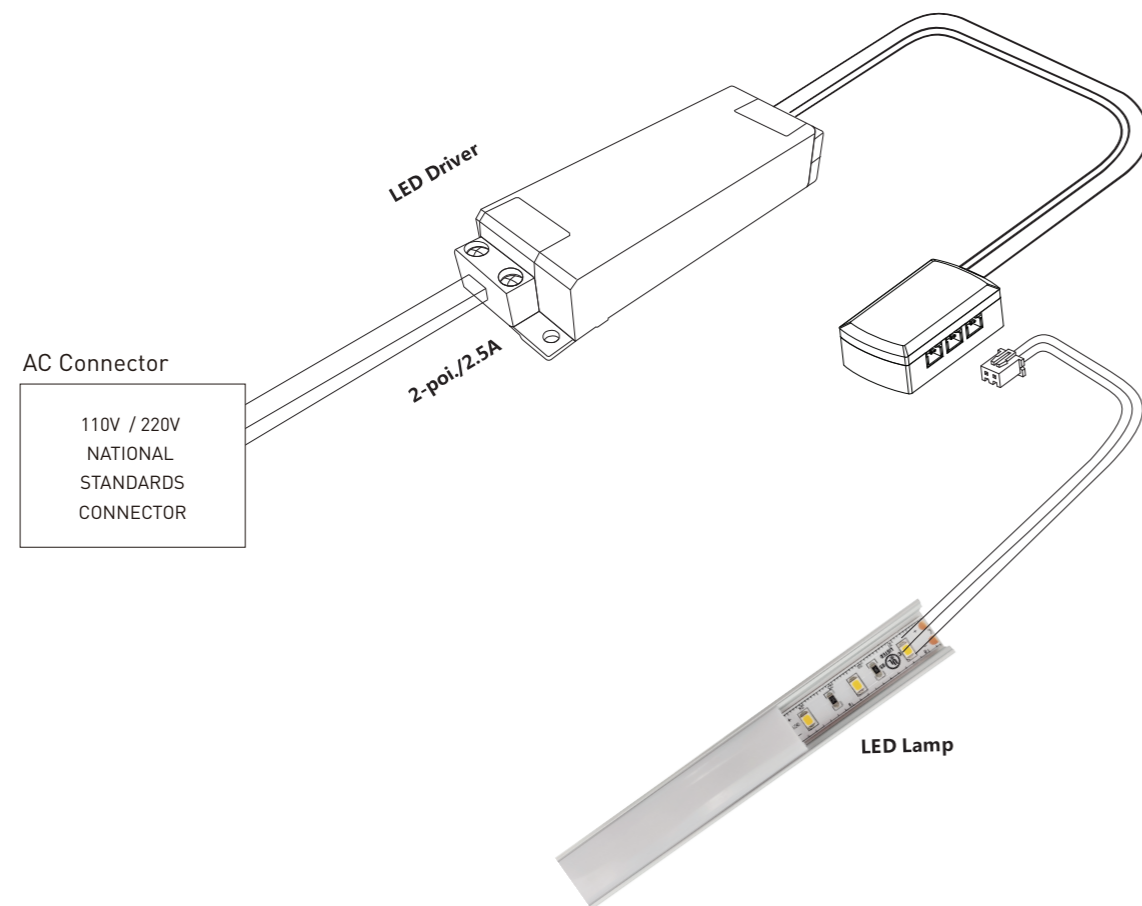
- 6-way Junction Box**
- 6-way distributor
 - 12~ 30V/10A
 - 2x0.75mm² white cable
 - parallel or serial
 - white



- 6-way Junction Box**
- 6-way distributor
 - 12~ 30V/10A
 - 2x0.75mm² white cable
 - parallel or serial
 - screws fixing
 - white



MINI D72 QUICK CONNECTION SYSTEM



Input Cable

- male connector
- 12~ 24V/3A
- tinned end
- 2x0.34mm² white cable
- white



Input Cable

- mini female connector
- 12~ 24V/3A
- tinned end
- 2x0.34mm² white cable
- white



Extension lead

- mini male connector
- mini female connector
- 12~ 24V/3A
- 2x0.34mm² white cable
- white



Serial connector

- mini male connector
- 12~ 24V/3A
- 22AWG red
- white



3/6-way Junction Box

- 3/6-way distributor
- terminal ends
- 12~24V/5A
- parallel or serial
- 2x0.34mm² white cable
- white



5/10-way Junction Box

- 5/10-way distributor
- terminal ends
- 12~24V/5A
- parallel or serial
- 2x0.34mm² white cable
- white

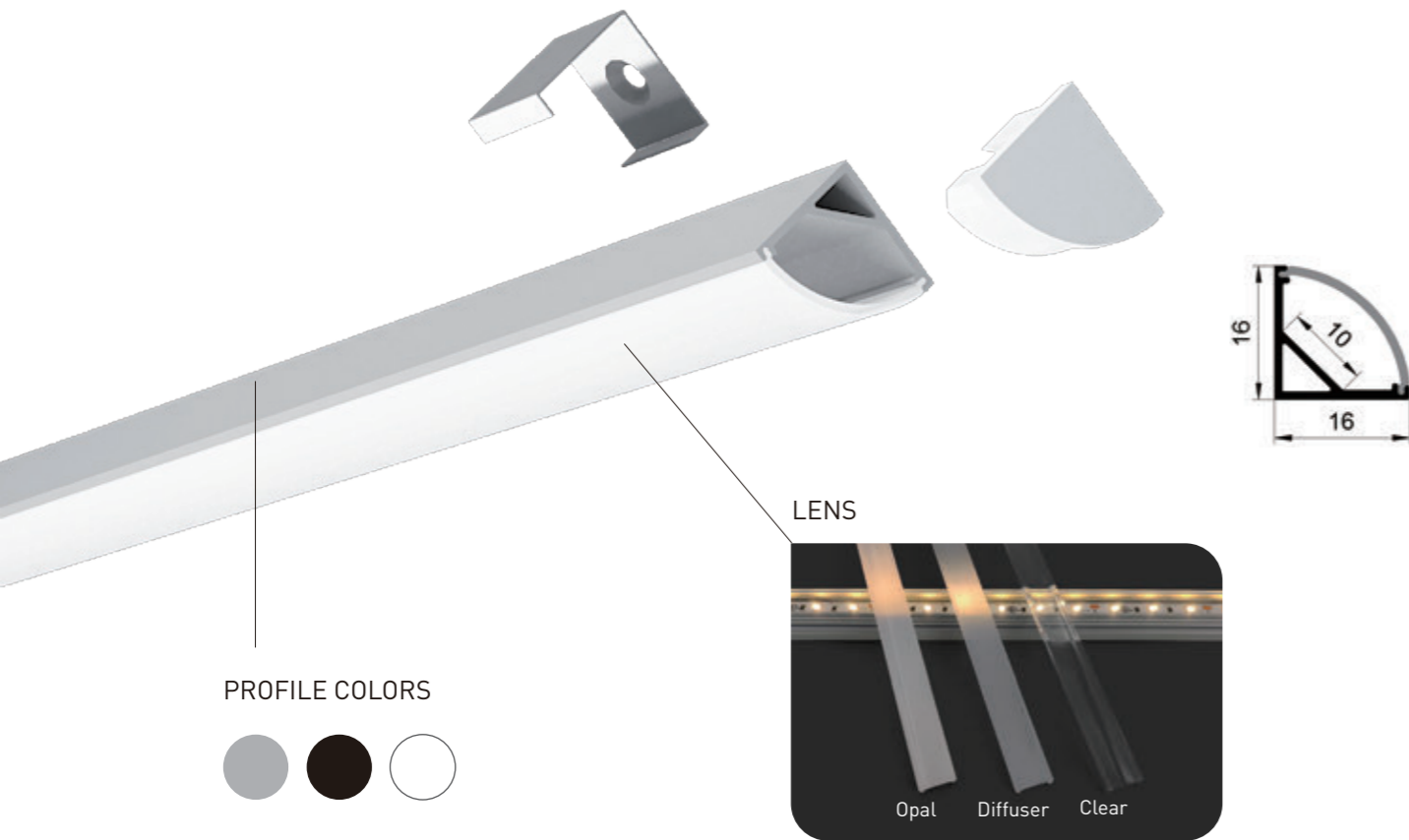


6-way Junction Box

- 6-way distributor+ DC5521 connector
- parallel or serial
- 12~24V/5A
- white

ANGULAR SURFACE MOUNTED

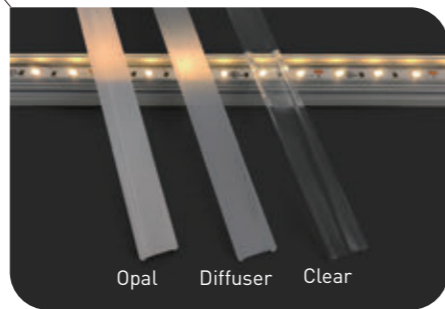
► SL161610



PROFILE COLORS



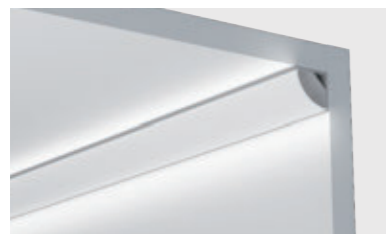
LENS



ACCESSORIES



L Shape Joiner



Installation: Angular Surface Mounted
 Length Available: 1-3m
 Profile Color: Silver, Black Anodized, White Powder Coating
 Lens: Opal, Diffuser, Clear
 Input Cable: Endcaps, Profile Sides
 Quick Female/Male Connectors Input cable & Junction Box available

ANGULAR SURFACE MOUNTED

► SL161610

ORDERING CODE

Luminaire	Finish	Lens	Vol.	Power	CRI	CCT	Input Cable	Connector	Wiring	
SL161610	W White	D Diffuser	12	5.18W/m	90 90+	22-2200K , 24-2400K , 25-2500K 27-2700K , 30-3000K , 35-3500K 40-4000K , 50-5000K , 65-6500K	01 - Black&Red 22AWG	A - AMP male/female	E - Through Endcaps	
			12VDC	6.00W/m						
			24	11.52W/m						
	B Black	O Opal	24	11.52W/m	95 95+	22-2200K , 25-2500K , 27-2700K 30-3000K , 35-3500K , 40-4000K 50-5000K , 65-6500K	02 - Black&White 22AWG	M - Molex male/female	S - Through profile side	
			24VDC	14.40W/m						
			36	21.60W/m						
	S Silver	C Clear	36	14.40W/m	TW	Tunable White - check your executive sales	03 - White PU protected 2 pin	D - DC male/female		
			36VDC	24.00W/m						
			48	28.80W/m						
				48						
				48VDC						
						D2W	Dim To Warm - check your executive sales	04 - 3Pin cable for Tunable white		

RECOMMENDED LIGHT SOURCE

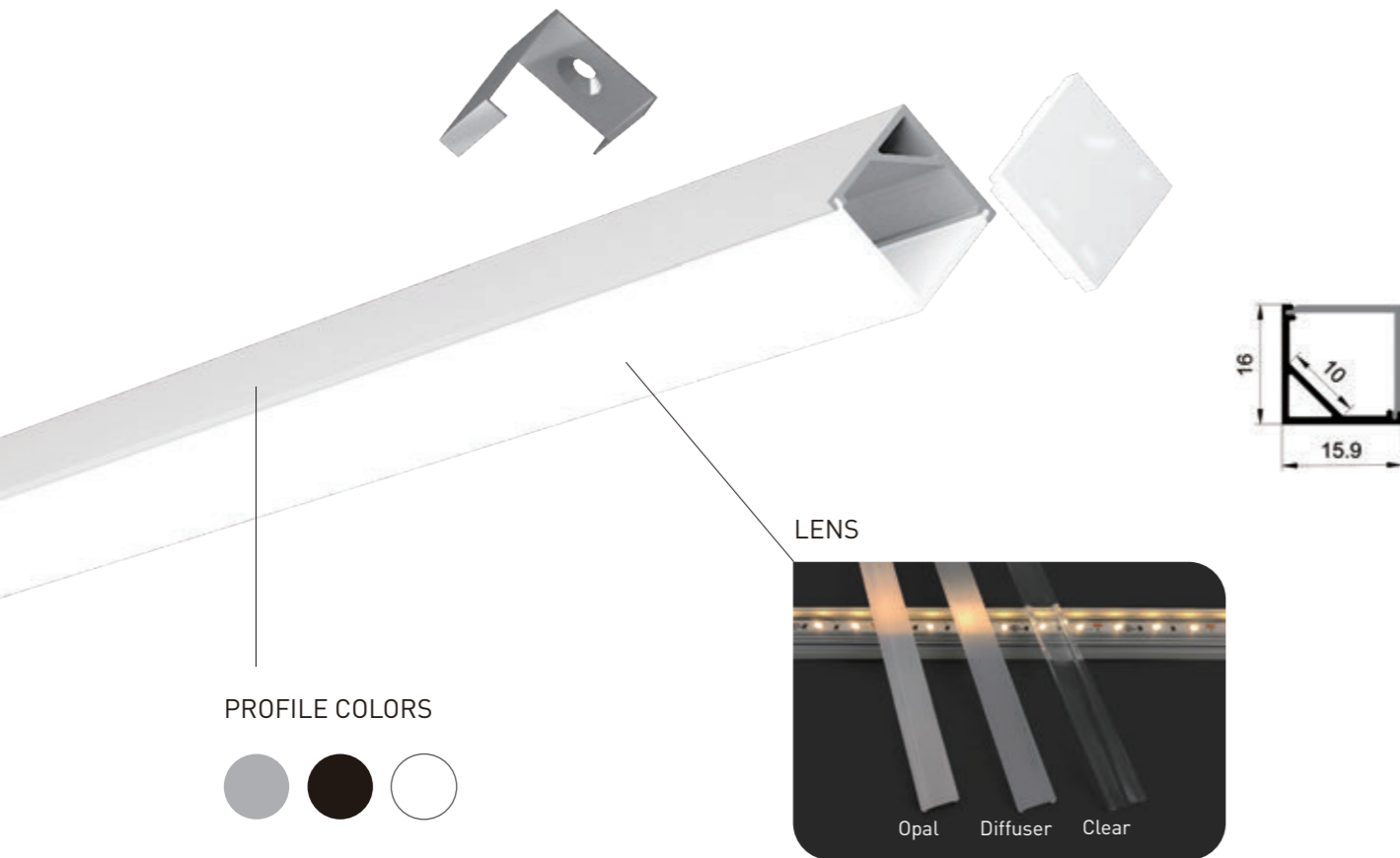
Performance	Part Code	Led Qty	Input Vol.	Power	CRI	Light Source Lumen	Diffuser Lens Lumen	Cutttable length	Max Run	Pcb Width
General	FN-2835T-120	120pcs/m	12/24VDC	14.40 W/m	90+	1512 lm/m	877lm/m	12V=25mm	12V=5m	10 mm
					95+	1282 lm/m	744 lm/m	24V=50mm	24V=9m	
High Efficiency	FN-H2835T-128	128pcs/m	24VDC	11.52 W/m	90+	1613 lm/m	936 lm/m	24V=62.5mm	24V=6m	10 mm
					95+	1475 lm/m	856 lm/m			
	FN-H28350-160	160pcs/m	24VDC	24 W/m	90+	3480 lm/m	2241 lm/m	50mm	3m	10 mm
					95+	4176 lm/m	2689 lm/m	41.7mm	2.5m	10 mm
Long Run	LN-H2835T-80	80pcs/m	36VDC	5.18W/m	90+	580 lm/m	336 lm/m	100mm	50m	10 mm
					95+	482 lm/m	280 lm/m			
	LN-H2835T-112	112pcs/m	48VDC	11.52 W/m	90+	1336 lm/m	775 lm/m	125mm	25m	10 mm
					95+	1106 lm/m	641 lm/m			
	LN-H2835T-120	120pcs/m	24VDC	6.00 W/m	90+	588 lm/m	341 lm/m	50mm	21m	10 mm
					95+	486 lm/m	282 lm/m			
Short Cut	FN-F2835A-120	120pcs/m	12VDC	21.60 W/m	90+	1922 lm/m	1115 lm/m	16.7mm	3.5m	10 mm
					95+	1595 lm/m	1133 lm/m			

Remark: 1. The tested data based on silver finish in 4000K, CRI 90+ light source. 2. LN-H2835T-80 is good for long run, but it will show light spot.



ANGULAR SURFACE MOUNTED

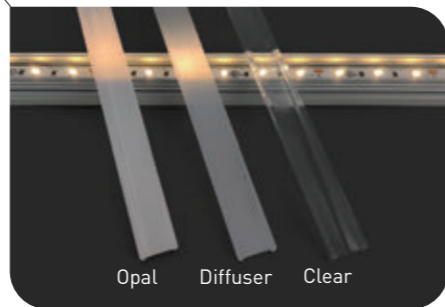
► SL1616B10



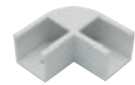
PROFILE COLORS



LENS



ACCESSORIES



L Shape Joiner



Installation: Angular Surface Mounted
 Length Available: 1-3m
 Profile Color: Silver, Black Anodized, White Powder Coating
 Lens: Opal, Diffuser, Clear
 Input Cable: Endcaps, Profile Sides
 Quick Female/Male Connectors Input cable & Junction Box available

ANGULAR SURFACE MOUNTED

► SL1616B10

ORDERING CODE

Luminaire	Finish	Lens	Vol.	Power	CRI	CCT	Input Cable	Connector	Wiring
SL1616B10	W White	D Diffuser	12 12VDC	5.18W/m	90 90+	22-2200K , 24-2400K , 25-2500K 27-2700K , 30-3000K , 35-3500K 40-4000K , 50-5000K , 65-6500K	01 - Black&Red 22AWG	A - AMP male/female	E - Through Endcaps
	B Black	O Opal	24 24VDC	11.52W/m	95 95+	22-2200K , 25-2500K , 27-2700K 30-3000K , 35-3500K , 40-4000K 50-5000K , 65-6500K			
	S Silver	C Clear	36 36VDC	14.40W/m	TW	Tunable White - check your executive sales	02 - Black&White 22AWG	M - Molex male/female	S - Through profile side
			48 48VDC	21.60W/m					
			24.00W/m	D2W	Dim To Warm - check your executive sales	04 - 3Pin cable for Tunable white			
			28.80W/m						

RECOMMENDED LIGHT SOURCE

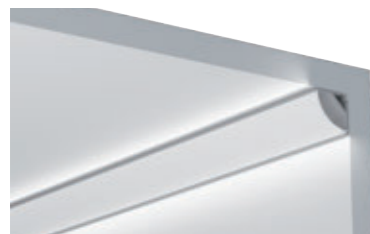
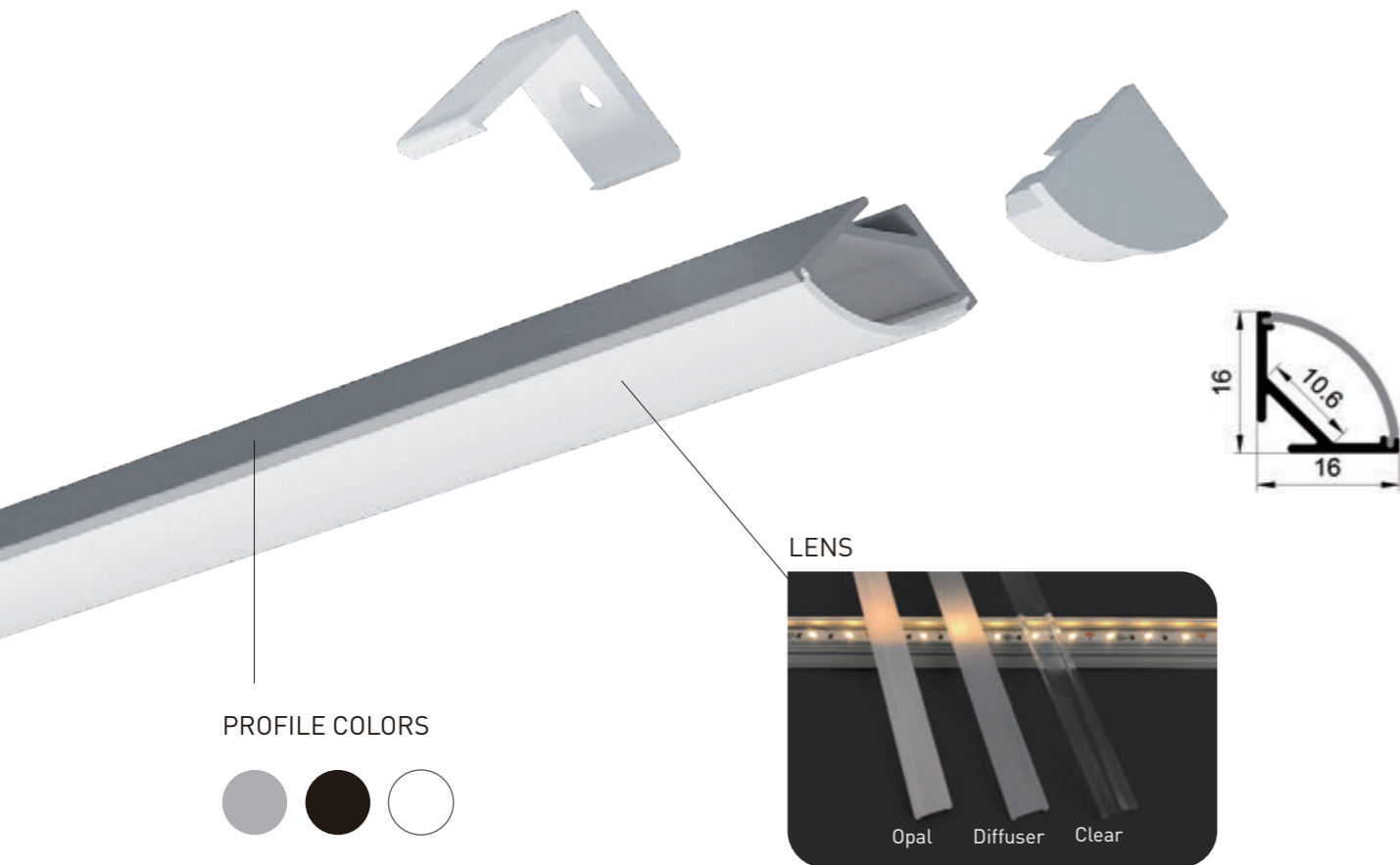
Performance	Part Code	Led Qty	Input Vol.	Power	CRI	Light Source Lumen	Diffuser Lens Lumen	Cutttable length	Max Run	Pcb Width
General	FN-2835T-120	120pcs/m	12/24VDC	14.40 W/m	90+	1512 lm/m	1074 lm/m	12V=25mm 24V=50mm	12V=5m 24V=9m	10 mm
					95+	1282 lm/m	910 lm/m			
High Efficiency	FN-H2835T-128	128pcs/m	24VDC	11.52 W/m	90+	1613 lm/m	1145 lm/m	24V=62.5mm	24V=6m	10 mm
					95+	1475 lm/m	1047 lm/m			
	FN-H28350-160	160pcs/m	24VDC	24 W/m	90+	3480 lm/m	2743 lm/m	50mm	3m	10 mm
	FN-H28350-192	192pcs/m	24VDC	28.8 W/m	90+	4176 lm/m	3292 lm/m	41.7mm	2.5m	10 mm
Long Run	LN-H2835T-80	80pcs/m	36VDC	5.18W/m	90+	580 lm/m	412 lm/m	100mm	50m	10 mm
					95+	482 lm/m	342 lm/m			
	LN-H2835T-112	112pcs/m	48VDC	11.52 W/m	90+	1336 lm/m	949 lm/m	125mm	25m	10 mm
					95+	1106 lm/m	785 lm/m			
	LN-H2835T-120	120pcs/m	24VDC	6.00 W/m	90+	588 lm/m	417 lm/m	50mm	21m	10 mm
					95+	486 lm/m	345 lm/m			
Short Cut	FN-F2835A-120	120pcs/m	12VDC	21.60 W/m	90+	1922 lm/m	1365 lm/m	16.7mm	3.5m	10 mm
					95+	1595 lm/m	1133 lm/m			

Remark: 1. The tested data based on silver finish in 4000K, CRI 90+ light source. 2. LN-H2835T-80 is good for long run, but it will show light spot.



ANGULAR SURFACE MOUNTED

► SL1616C10



Installation: Angular Surface Mounted
 Length Available: 1-3m
 Profile Color: Silver, Black Anodized, White Powder Coating
 Lens: Opal, Diffuser, Clear
 Input Cable: Endcaps, Profile Sides
 Quick Female/Male Connectors Input cable & Junction Box available

ANGULAR SURFACE MOUNTED

► SL1616C10

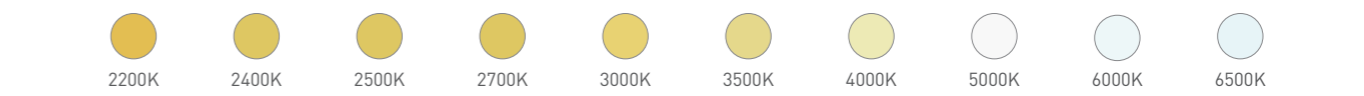
ORDERING CODE

Luminaire	Finish	Lens	Vol.	Power	CRI	CCT	Input Cable	Connector	Wiring
SL1616C10	W White	D Diffuser	12 12VDC	5.18W/m	90 90+	22-2200K, 24-2400K, 25-2500K 27-2700K, 30-3000K, 35-3500K 40-4000K, 50-5000K, 65-6500K	01 - Black&Red 22AWG	A - AMP male/female	E - Through Endcaps
	B Black	O Opal	24 24VDC	11.52W/m	95 95+	22-2200K, 25-2500K, 27-2700K 30-3000K, 35-3500K, 40-4000K 50-5000K, 65-6500K	02 - Black&White 22AWG	M - Molex male/female	S - Through profile side
	S Silver	C Clear	36 36VDC	14.40W/m	TW	Tunable White - check your executive sales	03 - White PU protected 2 pin	D - DC male/female	
			48 48VDC	21.60W/m 24.00W/m 28.80W/m	D2W	Dim To Warm - check your executive sales	04 - 3Pin cable for Tunable white		

RECOMMENDED LIGHT SOURCE

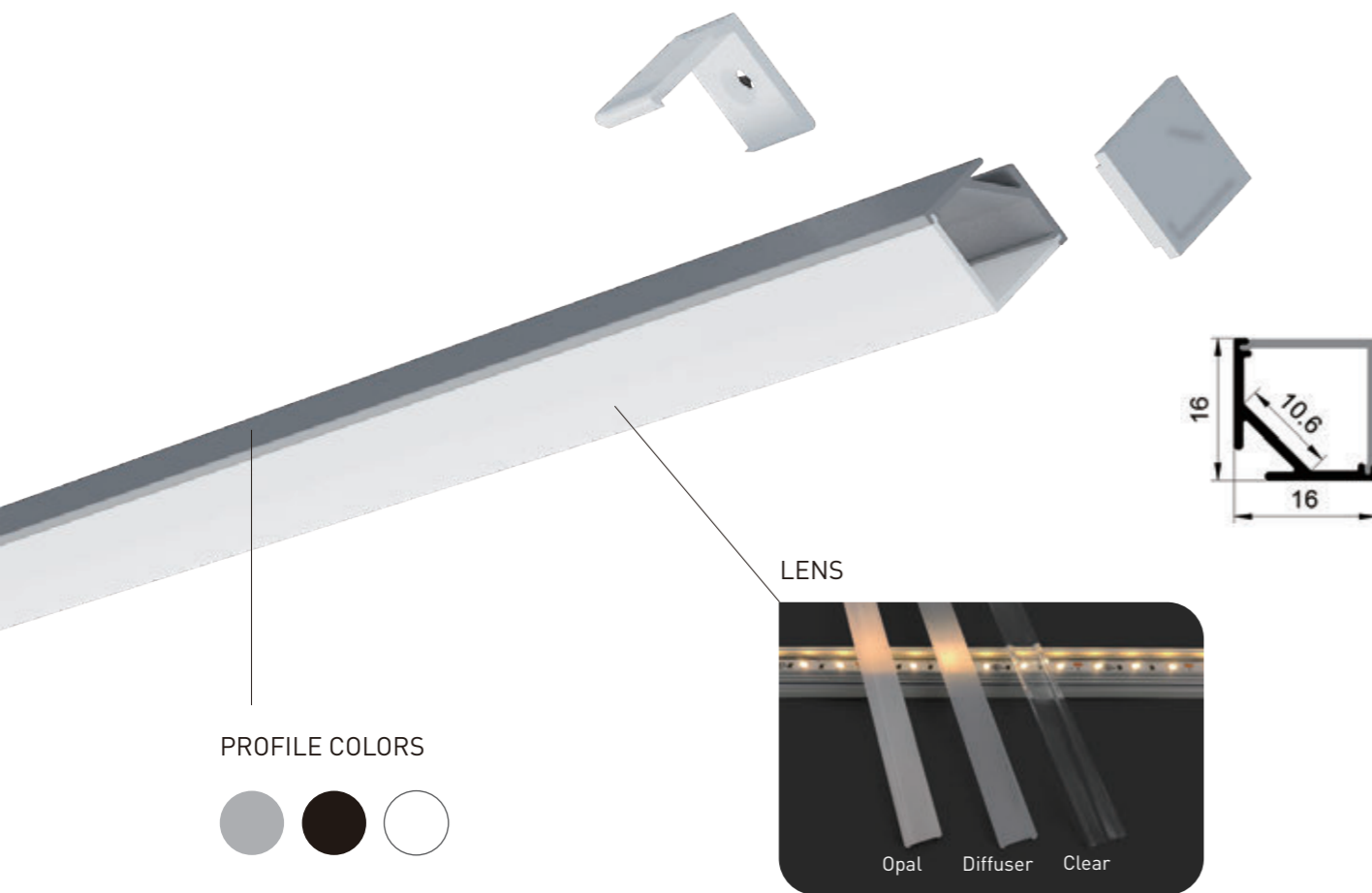
Performance	Part Code	Led Qty	Input Vol.	Power	CRI	Light Source Lumen	Diffuser Lens Lumen	Cutttable length	Max Run	Pcb Width
General	FN-2835T-120	120pcs/m	12/24VDC	14.40 W/m	90+	1512 lm/m	877lm/m	12V=25mm 24V=50mm	12V=5m 24V=9m	10 mm
					95+	1282 lm/m	744 lm/m			
High Efficiency	FN-H2835T-128	128pcs/m	24VDC	11.52 W/m	90+	1613 lm/m	936 lm/m	24V=62.5mm	24V=6m	10 mm
					95+	1475 lm/m	856 lm/m			
	FN-H28350-160	160pcs/m	24VDC	24 W/m	90+	3480 lm/m	2241 lm/m	50mm	3m	10 mm
	FN-H28350-192	192pcs/m	24VDC	28.8 W/m	90+	4176 lm/m	2689 lm/m	41.7mm	2.5m	10 mm
Long Run	LN-H2835T-80	80pcs/m	36VDC	5.18W/m	90+	580 lm/m	336 lm/m	100mm	50m	10 mm
					95+	482 lm/m	280 lm/m			
	LN-H2835T-112	112pcs/m	48VDC	11.52 W/m	90+	1336 lm/m	775 lm/m	125mm	25m	10 mm
					95+	1106 lm/m	641 lm/m			
	LN-H2835T-120	120pcs/m	24VDC	6.00 W/m	90+	588 lm/m	341 lm/m	50mm	21m	10 mm
					95+	486 lm/m	282 lm/m			
Short Cut	FN-F2835A-120	120pcs/m	12VDC	21.60 W/m	90+	1922 lm/m	1115 lm/m	16.7mm	3.5m	10 mm
					95+	1595 lm/m	1133 lm/m			

Remark: 1. The tested data based on silver finish in 4000K, CRI 90+ light source. 2. LN-H2835T-80 is good for long run, but it will show light spot.



ANGULAR SURFACE MOUNTED

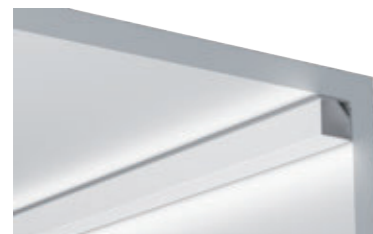
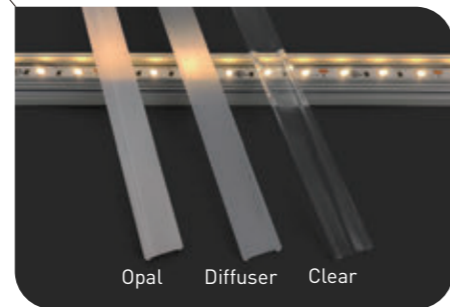
► SL1616D10



PROFILE COLORS



LENS



Installation: Angular Surface Mounted

Length Available: 1-3m

Profile Color: Silver, Black Anodized, White Powder Coating

Lens: Opal, Diffuser, Clear

Input Cable: Endcaps, Profile Sides

Quick Female/Male Connectors Input cable & Junction Box available

ANGULAR SURFACE MOUNTED

► SL1616D10

ORDERING CODE

Luminaire	Finish	Lens	Vol.	Power	CRI	CCT	Input Cable	Connector	Wiring
SL1616D10	W White	D Diffuser	12 12VDC	5.18W/m	90 90+	22-2200K , 24-2400K , 25-2500K 27-2700K , 30-3000K , 35-3500K 40-4000K , 50-5000K , 65-6500K	01 - Black&Red 22AWG 02 - Black&White 22AWG 03 - White PU protected 2 pin 04 - 3Pin cable for Tunable white	A - AMP male/female M - Molex male/female D - DC male/female	E - Through Endcaps S - Through profile side
	B Black	O Opal	24 24VDC	11.52W/m	95 95+	22-2200K , 25-2500K , 27-2700K 30-3000K , 35-3500K , 40-4000K 50-5000K , 65-6500K			
	S Silver	C Clear	36 36VDC	14.40W/m	TW	Tunable White - check your executive sales			
			48 48VDC	21.60W/m 24.00W/m 28.80W/m	D2W	Dim To Warm - check your executive sales			

RECOMMENDED LIGHT SOURCE

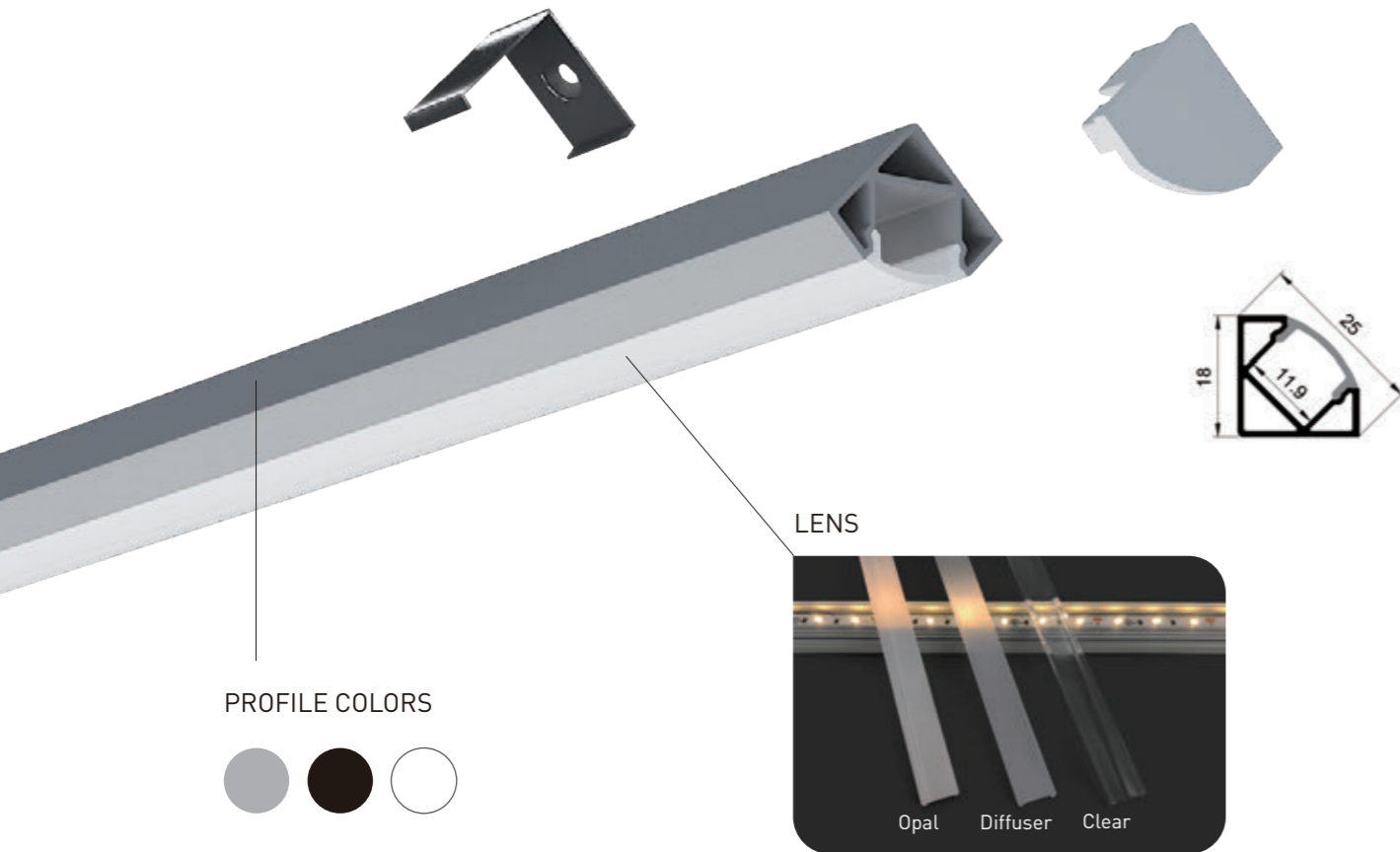
Performance	Part Code	Led Qty	Input Vol.	Power	CRI	Light Source Lumen	Diffuser Lens Lumen	Cutttable length	Max Run	Pcb Width
General	FN-2835T-120	120pcs/m	12/24VDC	14.40 W/m	90+	1512 lm/m	1074 lm/m	12V=25mm 24V=50mm	12V=5m 24V=9m	10 mm
					95+	1282 lm/m	910 lm/m			
High Efficiency	FN-H2835T-128	128pcs/m	24VDC	11.52 W/m	90+	1613 lm/m	1145 lm/m	24V=62.5mm	24V=6m	10 mm
					95+	1475 lm/m	1047 lm/m			
	FN-H28350-160	160pcs/m	24VDC	24 W/m	90+	3480 lm/m	2743 lm/m	50mm	3m	10 mm
		192pcs/m	24VDC	28.8 W/m	90+	4176 lm/m	3292 lm/m	41.7mm	2.5m	10 mm
Long Run	LN-H2835T-80	80pcs/m	36VDC	5.18W/m	90+	580 lm/m	412 lm/m	100mm	50m	10 mm
					95+	482 lm/m	342 lm/m			
	LN-H2835T-112	112pcs/m	48VDC	11.52 W/m	90+	1336 lm/m	949 lm/m	125mm	25m	10 mm
					95+	1106 lm/m	785 lm/m			
	LN-H2835T-120	120pcs/m	24VDC	6.00 W/m	90+	588 lm/m	417 lm/m	50mm	21m	10 mm
					95+	486 lm/m	345 lm/m			
Short Cut	FN-F2835A-120	120pcs/m	12VDC	21.60 W/m	90+	1922 lm/m	1365 lm/m	16.7mm	3.5m	10 mm
					95+	1595 lm/m	1133 lm/m			

Remark: 1. The tested data based on silver finish in 4000K, CRI 90+ light source. 2. LN-H2835T-80 is good for long run, but it will show light spot.

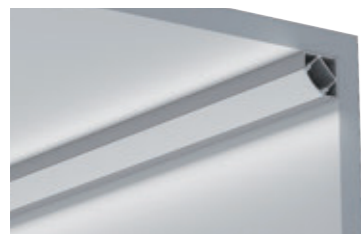


ANGULAR SURFACE MOUNTED

► SL1919C11



PROFILE COLORS



Installation: Angular Surface Mounted
 Length Available: 1-3m
 Profile Color: Silver, Black Anodized, White Powder Coating
 Lens: Opal, Diffuser, Clear
 Input Cable: Endcaps, Profile Sides
 Quick Female/Male Connectors Input cable & Junction Box available

ANGULAR SURFACE MOUNTED

► SL1919C11

ORDERING CODE

Luminaire	Finish	Lens	Vol.	Power	CRI	CCT	Input Cable	Connector	Wiring
SL1919C11	W White	D Diffuser	12 12VDC	5.18W/m	90 90+	22-2200K , 24-2400K , 25-2500K 27-2700K , 30-3000K , 35-3500K 40-4000K , 50-5000K , 65-6500K	01 - Black&Red 22AWG 02 - Black&White 22AWG 03 - White PU protected 2 pin 04 - 3Pin cable for Tunable white	A - AMP male/female M - Molex male/female D - DC male/female	E - Through Endcaps S - Through profile side
	B Black	O Opal	24 24VDC	11.52W/m	95 95+	22-2200K , 25-2500K , 27-2700K 30-3000K , 35-3500K , 40-4000K 50-5000K , 65-6500K			
	S Silver	C Clear	36 36VDC	14.40W/m	TW	Tunable White - check your executive sales			
			48 48VDC	21.60W/m 24.00W/m 28.80W/m	D2W	Dim To Warm - check your executive sales			

RECOMMENDED LIGHT SOURCE

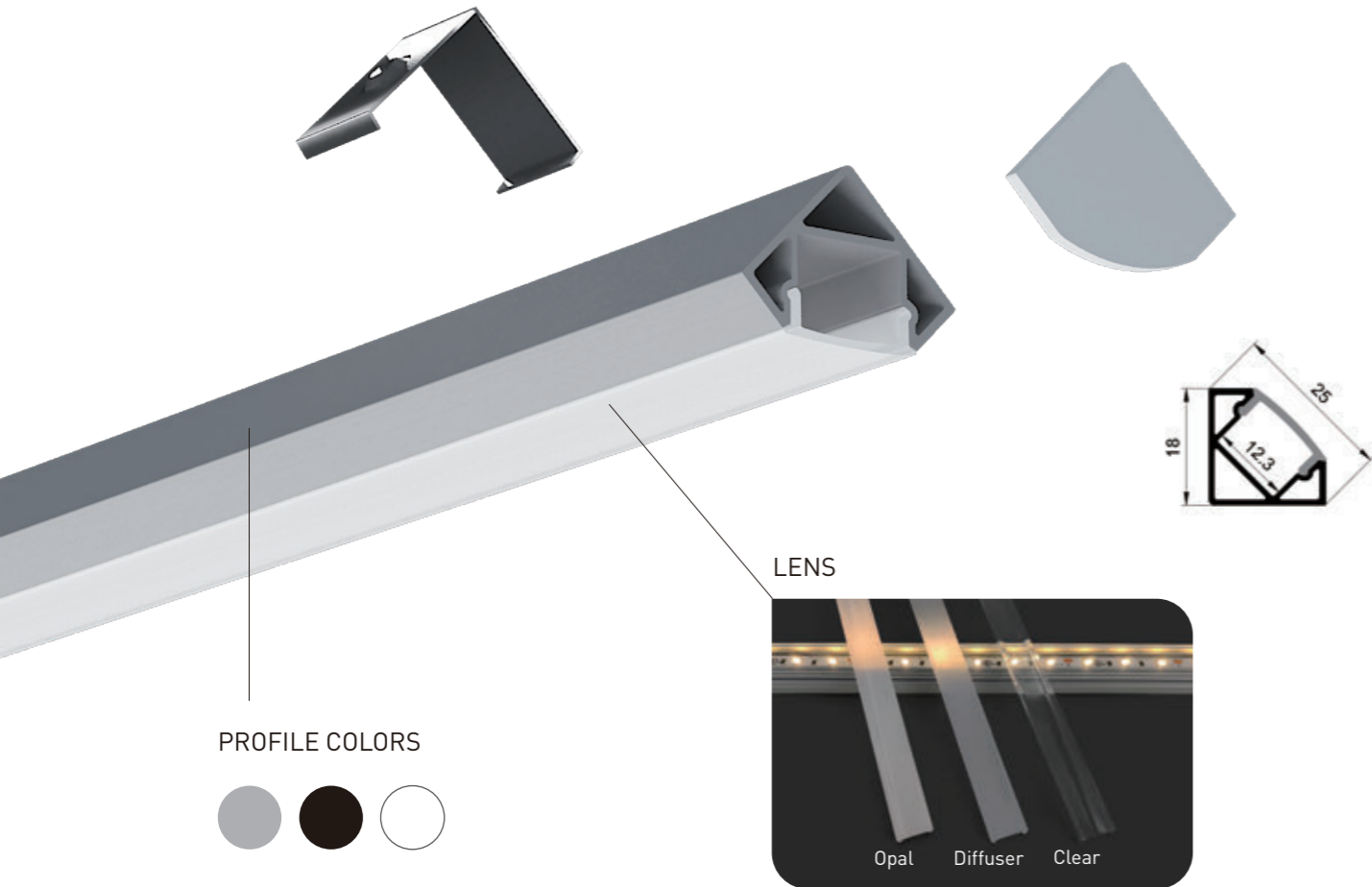
Performance	Part Code	Led Qty	Input Vol.	Power	CRI	Light Source Lumen	Diffuser Lens Lumen	Cutttable length	Max Run	Pcb Width
General	FN-2835T-120	120pcs/m	12/24VDC	14.40 W/m	90+	1512 lm/m	680 lm/m	12V=25mm 24V=50mm	12V=5m 24V=9m	10 mm
					95+	1282 lm/m	577 lm/m			
High Efficiency	FN-H2835T-128	128pcs/m	24VDC	11.52 W/m	90+	1613 lm/m	726 lm/m	24V=62.5mm	24V=6m	10 mm
					95+	1475 lm/m	664 lm/m			
	FN-H28350-160	160pcs/m	24VDC	24 W/m	90+	3480 lm/m	1739 lm/m	50mm	3m	10 mm
	FN-H28350-192	192pcs/m	24VDC	28.8 W/m	90+	4176 lm/m	2086lm/m	41.7mm	2.5m	10 mm
Long Run	LN-H2835T-80	80pcs/m	36VDC	5.18W/m	90+	580 lm/m	261 lm/m	100mm	50m	10 mm
					95+	482 lm/m	217 lm/m			
	LN-H2835T-112	112pcs/m	48VDC	11.52 W/m	90+	1336 lm/m	601 lm/m	125mm	25m	10 mm
					95+	1106 lm/m	498 lm/m			
	LN-H2835T-120	120pcs/m	24VDC	6.00 W/m	90+	588 lm/m	265 lm/m	50mm	21m	10 mm
					95+	486 lm/m	219 lm/m			
Short Cut	FN-F2835A-120	120pcs/m	12VDC	21.60 W/m	90+	1922 lm/m	865 lm/m	16.7mm	3.5m	10 mm
					95+	1595 lm/m	718 lm/m			

Remark: 1. The tested data based on silver finish in 4000K, CRI 90+ light source. 2. LN-H2835T-80 is good for long run, but it will show light spot.



ANGULAR SURFACE MOUNTED

► SL1919D11



PROFILE COLORS



Installation: Angular Surface Mounted
 Length Available: 1-3m
 Profile Color: Silver, Black Anodized, White Powder Coating
 Lens: Opal, Diffuser, Clear
 Input Cable: Endcaps, Profile Sides
 Quick Female/Male Connectors Input cable & Junction Box available

ANGULAR SURFACE MOUNTED

► SL1919D11

ORDERING CODE

Luminaire	Finish	Lens	Vol.	Power	CRI	CCT	Input Cable	Connector	Wiring
SL1919D11	W White	D Diffuser	12 12VDC	5.18W/m	90 90+	22-2200K , 24-2400K , 25-2500K 27-2700K , 30-3000K , 35-3500K 40-4000K , 50-5000K , 65-6500K	01 - Black&Red 22AWG 02 - Black&White 22AWG 03 - White PU protected 2 pin 04 - 3Pin cable for Tunable white	A - AMP male/female M - Molex male/female D - DC male/female	E - Through Endcaps S - Through profile side
	B Black	O Opal	24 24VDC	11.52W/m					
	S Silver	C Clear	36 36VDC	14.40W/m					
			48 48VDC	21.60W/m 24.00W/m 28.80W/m					
					TW	Tunable White - check your executive sales			
					D2W	Dim To Warm - check your executive sales			

RECOMMENDED LIGHT SOURCE

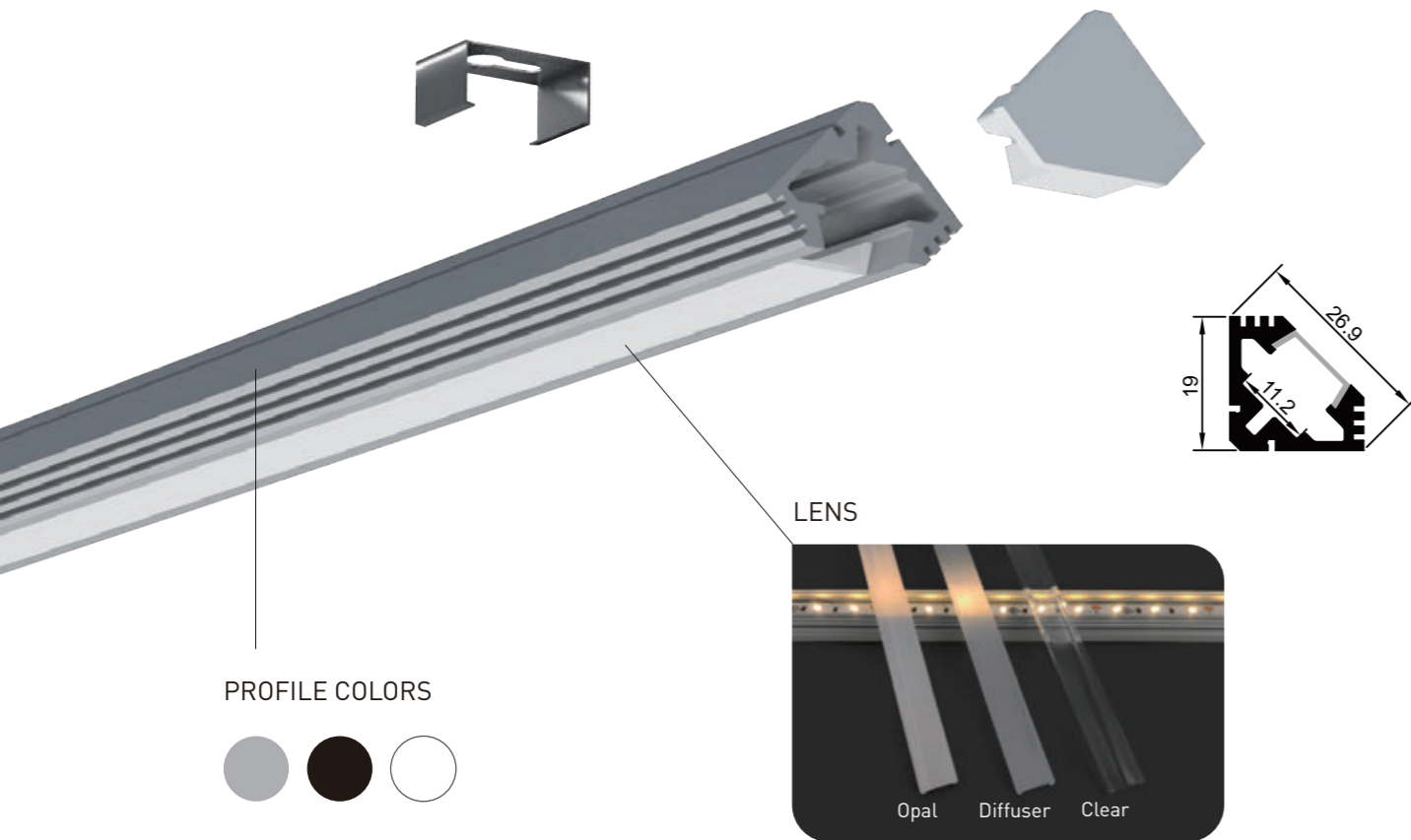
Performance	Part Code	Led Qty	Input Vol.	Power	CRI	Light Source Lumen	Diffuser Lens Lumen	Cutttable length	Max Run	Pcb Width
General	FN-2835T-120	120pcs/m	12/24VDC	14.40 W/m	90+	1512 lm/m	680 lm/m	12V=25mm 24V=50mm	12V=5m 24V=9m	10 mm
					95+	1282 lm/m	577 lm/m			
High Efficiency	FN-H2835T-128	128pcs/m	24VDC	11.52 W/m	90+	1613 lm/m	726 lm/m	24V=62.5mm	24V=6m	10 mm
					95+	1475 lm/m	664 lm/m			
	FN-H28350-160	160pcs/m	24VDC	24 W/m	90+	3480 lm/m	1739 lm/m	50mm	3m	10 mm
	FN-H28350-192	192pcs/m	24VDC	28.8 W/m	90+	4176 lm/m	2086lm/m	41.7mm	2.5m	10 mm
Long Run	LN-H2835T-80	80pcs/m	36VDC	5.18W/m	90+	580 lm/m	261 lm/m	100mm	50m	10 mm
					95+	482 lm/m	217 lm/m			
	LN-H2835T-112	112pcs/m	48VDC	11.52 W/m	90+	1336 lm/m	601 lm/m	125mm	25m	10 mm
					95+	1106 lm/m	498 lm/m			
	LN-H2835T-120	120pcs/m	24VDC	6.00 W/m	90+	588 lm/m	265 lm/m	50mm	21m	10 mm
					95+	486 lm/m	219 lm/m			
Short Cut	FN-F2835A-120	120pcs/m	12VDC	21.60 W/m	90+	1922 lm/m	865 lm/m	16.7mm	3.5m	10 mm
					95+	1595 lm/m	718 lm/m			

Remark: 1. The tested data based on silver finish in 4000K, CRI 90+ light source. 2. LN-H2835T-80 is good for long run, but it will show light spot.



ANGULAR SURFACE MOUNTED

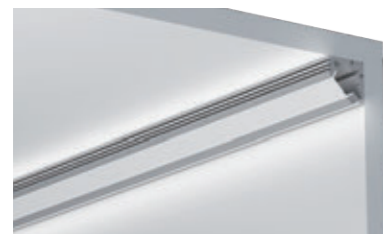
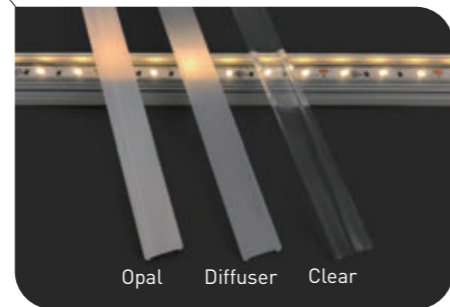
► SL191911



PROFILE COLORS



LENS



Installation: Angular Surface Mounted

Length Available: 1-3m

Profile Color: Silver, Black Anodized, White Powder Coating

Lens: Opal, Diffuser, Clear

Input Cable: Endcaps, Profile Sides

Quick Female/Male Connectors Input cable & Junction Box available

ANGULAR SURFACE MOUNTED

► SL191911

ORDERING CODE

Luminaire	Finish	Lens	Vol.	Power	CRI	CCT	Input Cable	Connector	Wiring
SL191911	W White	D Diffuser	12 12VDC	5.18W/m	90 90+	22-2200K, 24-2400K, 25-2500K 27-2700K, 30-3000K, 35-3500K 40-4000K, 50-5000K, 65-6500K	01 - Black&Red 22AWG 02 - Black&White 22AWG 03 - White PU protected 2 pin 04 - 3Pin cable for Tunable white	A - AMP male/female M - Molex male/female D - DC male/female	E - Through Endcaps S - Through profile side
	B Black	O Opal	24 24VDC	11.52W/m					
	S Silver	C Clear	36 36VDC	14.40W/m					
			48 48VDC	21.60W/m 24.00W/m 28.80W/m					
					TW	Tunable White - check your executive sales			
					D2W	Dim To Warm - check your executive sales			

RECOMMENDED LIGHT SOURCE

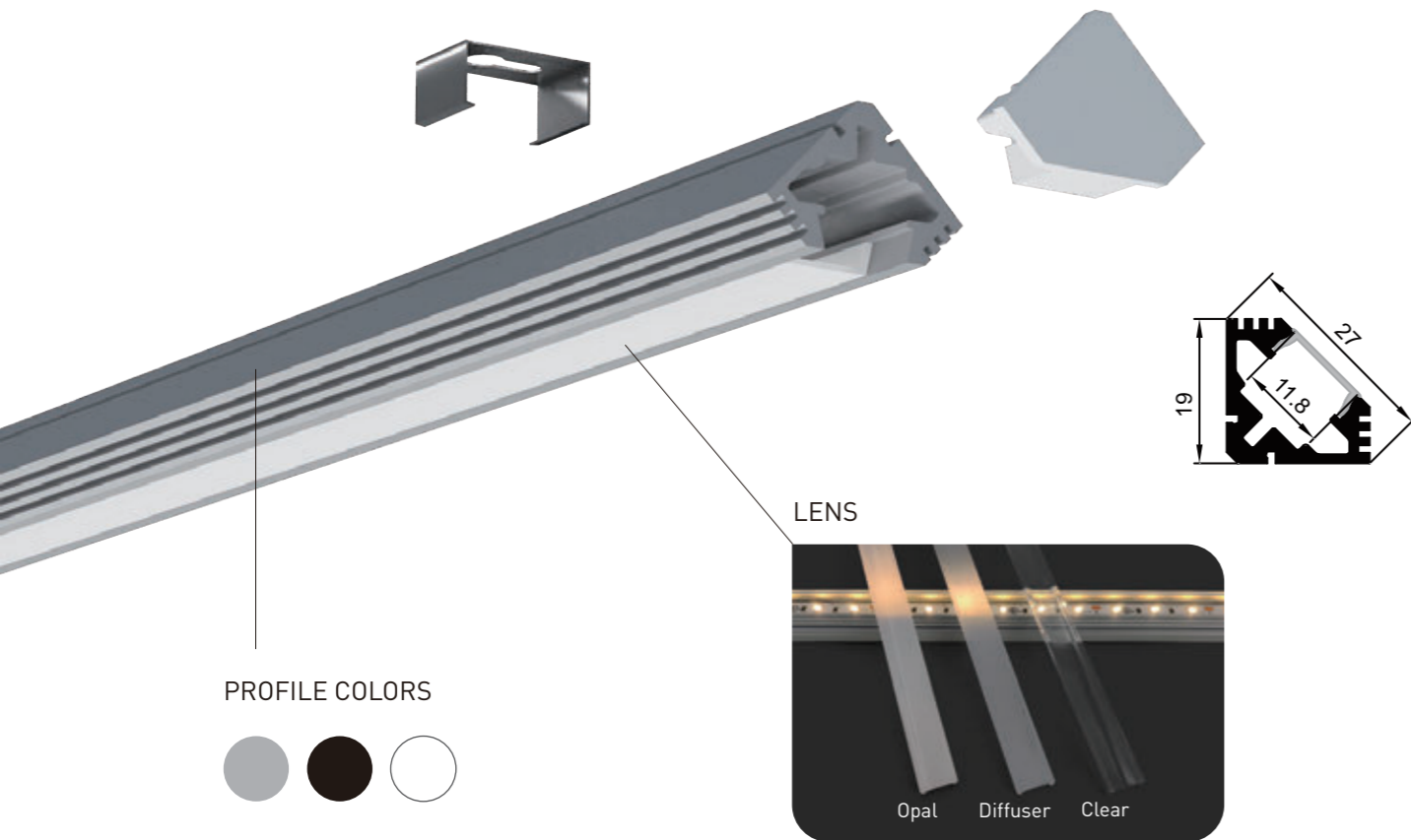
Performance	Part Code	Led Qty	Input Vol.	Power	CRI	Light Source Lumen	Diffuser Lens Lumen	Cutttable length	Max Run	Pcb Width
General	FN-2835T-120	120pcs/m	12/24VDC	14.40 W/m	90+	1512 lm/m	680 lm/m	12V=25mm 24V=50mm	12V=5m 24V=9m	10 mm
					95+	1282 lm/m	577 lm/m			
High Efficiency	FN-H2835T-128	128pcs/m	24VDC	11.52 W/m	90+	1613 lm/m	726 lm/m	24V=62.5mm	24V=6m	10 mm
					95+	1475 lm/m	664 lm/m			
	FN-H28350-160	160pcs/m	24VDC	24 W/m	90+	3480 lm/m	1739 lm/m	50mm	3m	10 mm
	FN-H28350-192	192pcs/m	24VDC	28.8 W/m	90+	4176 lm/m	2086lm/m	41.7mm	2.5m	10 mm
Long Run	LN-H2835T-80	80pcs/m	36VDC	5.18W/m	90+	580 lm/m	261 lm/m	100mm	50m	10 mm
					95+	482 lm/m	217 lm/m			
	LN-H2835T-112	112pcs/m	48VDC	11.52 W/m	90+	1336 lm/m	601 lm/m	125mm	25m	10 mm
					95+	1106 lm/m	498 lm/m			
	LN-H2835T-120	120pcs/m	24VDC	6.00 W/m	90+	588 lm/m	265 lm/m	50mm	21m	10 mm
					95+	486 lm/m	219 lm/m			
Short Cut	FN-F2835A-120	120pcs/m	12VDC	21.60 W/m	90+	1922 lm/m	865 lm/m	16.7mm	3.5m	10 mm
					95+	1595 lm/m	718 lm/m			

Remark: 1. The tested data based on silver finish in 4000K, CRI 90+ light source. 2. LN-H2835T-80 is good for long run, but it will show light spot.

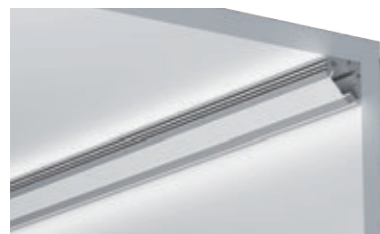


ANGULAR SURFACE MOUNTED

► SL1919E11



PROFILE COLORS



Installation: Angular Surface Mounted
 Length Available: 1-3m
 Profile Color: Silver, Black Anodized, White Powder Coating
 Lens: Opal, Diffuser, Clear
 Input Cable: Endcaps, Profile Sides
 Quick Female/Male Connectors Input cable & Junction Box available

ANGULAR SURFACE MOUNTED

► SL1919E11

ORDERING CODE

Luminaire	Finish	Lens	Vol.	Power	CRI	CCT	Input Cable	Connector	Wiring
SL1919E11	W White	D Diffuser	12 12VDC	5.18W/m	90 90+	22-2200K, 24-2400K, 25-2500K 27-2700K, 30-3000K, 35-3500K 40-4000K, 50-5000K, 65-6500K	01 - Black&Red 22AWG	A - AMP male/female	E - Through Endcaps
	B Black	O Opal	24 24VDC	11.52W/m	95 95+	22-2200K, 25-2500K, 27-2700K 30-3000K, 35-3500K, 40-4000K 50-5000K, 65-6500K	02 - Black&White 22AWG	M - Molex male/female	S - Through profile side
	S Silver	C Clear	36 36VDC	14.40W/m	TW	Tunable White - check your executive sales	03 - White PU protected 2 pin	D - DC male/female	
			48 48VDC	21.60W/m 24.00W/m 28.80W/m	D2W	Dim To Warm - check your executive sales	04 - 3Pin cable for Tunable white		

RECOMMENDED LIGHT SOURCE

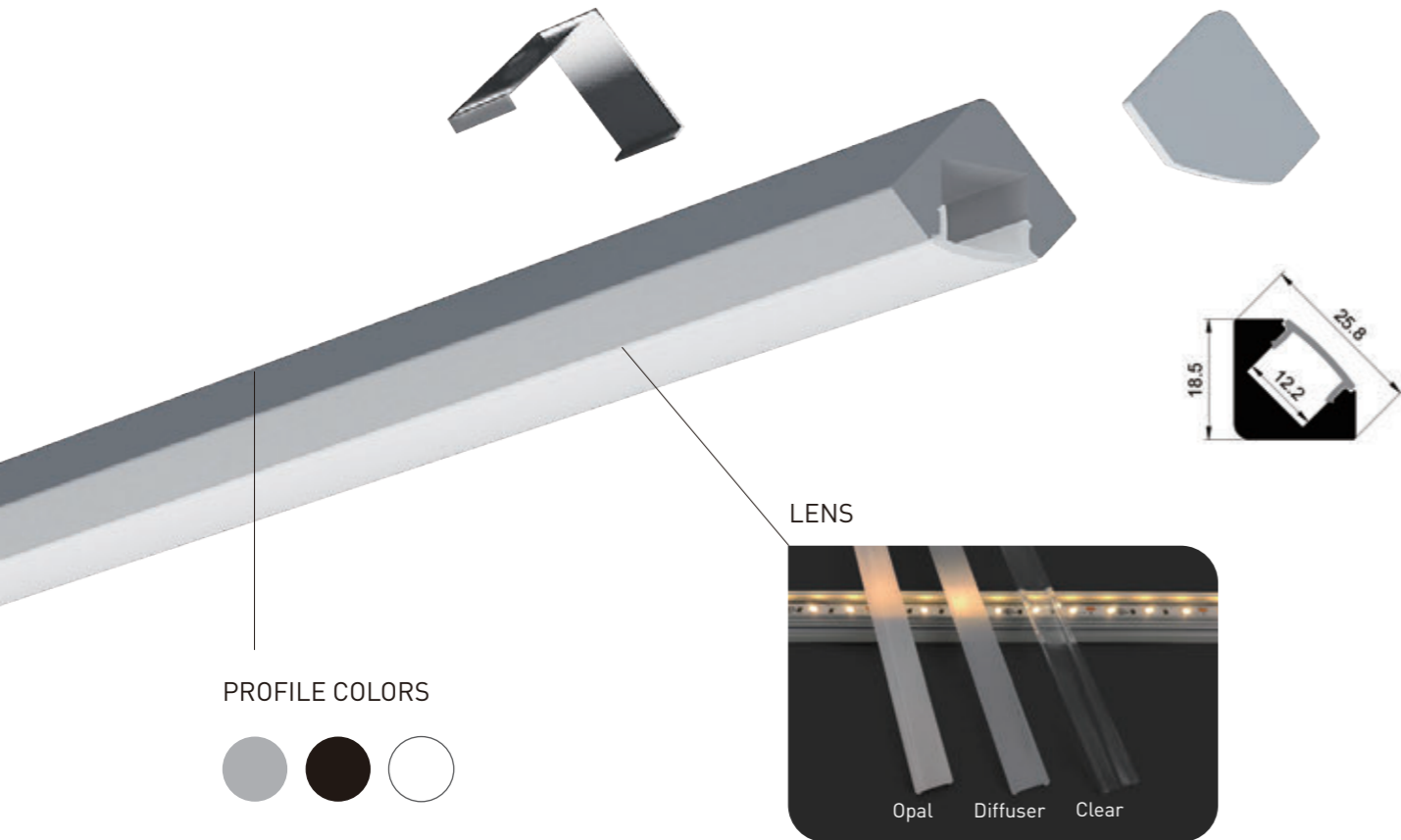
Performance	Part Code	Led Qty	Input Vol.	Power	CRI	Light Source Lumen	Diffuser Lens Lumen	Cutttable length	Max Run	Pcb Width
General	FN-2835T-120	120pcs/m	12/24VDC	14.40 W/m	90+	1512 lm/m	680 lm/m	12V=25mm 24V=50mm	12V=5m 24V=9m	10 mm
					95+	1282 lm/m	577 lm/m			
High Efficiency	FN-H2835T-128	128pcs/m	24VDC	11.52 W/m	90+	1613 lm/m	726 lm/m	24V=62.5mm	24V=6m	10 mm
					95+	1475 lm/m	664 lm/m			
	FN-H28350-160	160pcs/m	24VDC	24 W/m	90+	3480 lm/m	1739 lm/m	50mm	3m	10 mm
	FN-H28350-192	192pcs/m	24VDC	28.8 W/m	90+	4176 lm/m	2086lm/m	41.7mm	2.5m	10 mm
Long Run	LN-H2835T-80	80pcs/m	36VDC	5.18W/m	90+	580 lm/m	261 lm/m	100mm	50m	10 mm
					95+	482 lm/m	217 lm/m			
	LN-H2835T-112	112pcs/m	48VDC	11.52 W/m	90+	1336 lm/m	601 lm/m	125mm	25m	10 mm
					95+	1106 lm/m	498 lm/m			
	LN-H2835T-120	120pcs/m	24VDC	6.00 W/m	90+	588 lm/m	265 lm/m	50mm	21m	10 mm
					95+	486 lm/m	219 lm/m			
Short Cut	FN-F2835A-120	120pcs/m	12VDC	21.60 W/m	90+	1922 lm/m	865 lm/m	16.7mm	3.5m	10 mm
					95+	1595 lm/m	718 lm/m			

Remark: 1. The tested data based on silver finish in 4000K, CRI 90+ light source. 2. LN-H2835T-80 is good for long run, but it will show light spot.



ANGULAR SURFACE MOUNTED

► SL1919B11



PROFILE COLORS



Opal Diffuser Clear



Installation: Angular Surface Mounted
 Length Available: 1-3m
 Profile Color: Silver, Black Anodized, White Powder Coating
 Lens: Opal, Diffuser, Clear
 Input Cable: Endcaps, Profile Sides
 Quick Female/Male Connectors Input cable & Junction Box available

ANGULAR SURFACE MOUNTED

► SL1919B11

ORDERING CODE

Luminaire	Finish	Lens	Vol.	Power	CRI	CCT	Input Cable	Connector	Wiring
SL1919B11	W White	D Diffuser	12	5.18W/m	90 90+	22-2200K , 24-2400K , 25-2500K 27-2700K , 30-3000K , 35-3500K 40-4000K , 50-5000K , 65-6500K	01 - Black&Red 22AWG	A - AMP male/female	E - Through Endcaps
			12VDC	6.00W/m					
	B Black	O Opal	24	11.52W/m	95 95+	22-2200K , 25-2500K , 27-2700K 30-3000K , 35-3500K , 40-4000K 50-5000K , 65-6500K	02 - Black&White 22AWG	M - Molex male/female	S - Through profile side
			24VDC	14.40W/m					
	S Silver	C Clear	36	21.60W/m	TW	Tunable White - check your executive sales	03 - White PU protected 2 pin	D - DC male/female	
			36VDC	24.00W/m					
			48	28.80W/m	D2W	Dim To Warm - check your executive sales	04 - 3Pin cable for Tunable white		
			48VDC						

RECOMMENDED LIGHT SOURCE

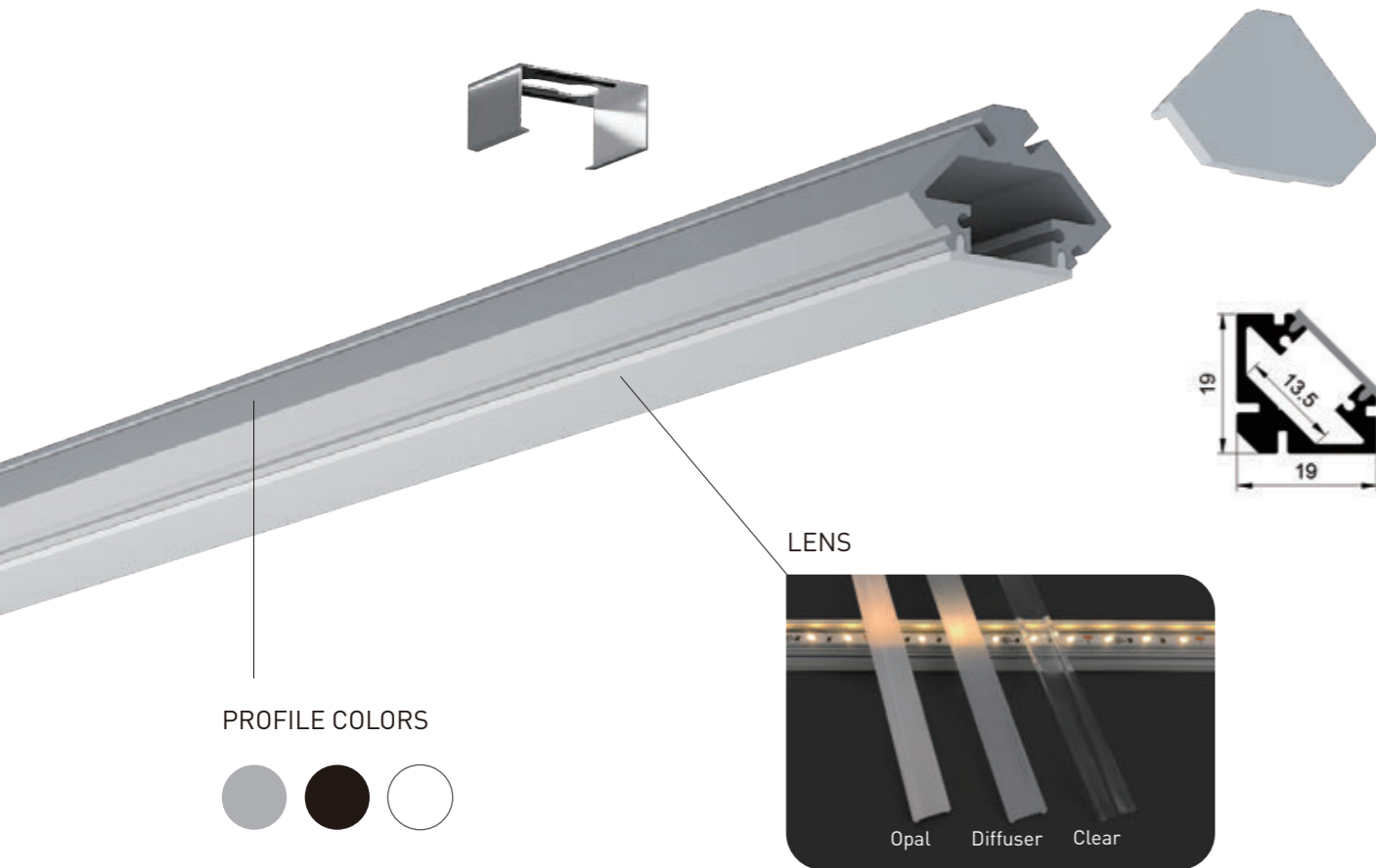
Performance	Part Code	Led Qty	Input Vol.	Power	CRI	Light Source Lumen	Diffuser Lens Lumen	Cutttable length	Max Run	Pcb Width
General	FN-2835T-120	120pcs/m	12/24VDC	14.40 W/m	90+	1512 lm/m	680 lm/m	12V=25mm 24V=50mm	12V=5m 24V=9m	10 mm
					95+	1282 lm/m	577 lm/m			
High Efficiency	FN-H2835T-128	128pcs/m	24VDC	11.52 W/m	90+	1613 lm/m	726 lm/m	24V=62.5mm	24V=6m	10 mm
					95+	1475 lm/m	664 lm/m			
	FN-H28350-160	160pcs/m	24VDC	24 W/m	90+	3480 lm/m	1739 lm/m	50mm	3m	10 mm
	FN-H28350-192	192pcs/m	24VDC	28.8 W/m	90+	4176 lm/m	2086lm/m	41.7mm	2.5m	10 mm
Long Run	LN-H2835T-80	80pcs/m	36VDC	5.18W/m	90+	580 lm/m	261 lm/m	100mm	50m	10 mm
					95+	482 lm/m	217 lm/m			
	LN-H2835T-112	112pcs/m	48VDC	11.52 W/m	90+	1336 lm/m	601 lm/m	125mm	25m	10 mm
					95+	1106 lm/m	498 lm/m			
	LN-H2835T-120	120pcs/m	24VDC	6.00 W/m	90+	588 lm/m	265 lm/m	50mm	21m	10 mm
					95+	486 lm/m	219 lm/m			
Short Cut	FN-F2835A-120	120pcs/m	12VDC	21.60 W/m	90+	1922 lm/m	865 lm/m	16.7mm	3.5m	10 mm
					95+	1595 lm/m	718 lm/m			

Remark: 1. The tested data based on silver finish in 4000K, CRI 90+ light source. 2. LN-H2835T-80 is good for long run, but it will show light spot.

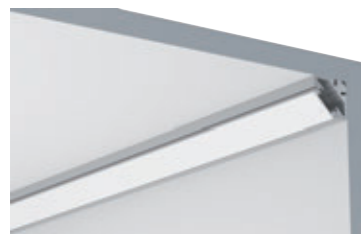


ANGULAR SURFACE MOUNTED

► SL1919H11



PROFILE COLORS



Installation: Angular Surface Mounted
 Length Available: 1-3m
 Profile Color: Silver, Black Anodized, White Powder Coating
 Lens: Opal, Diffuser, Clear
 Input Cable: Endcaps, Profile Sides
 Quick Female/Male Connectors Input cable & Junction Box available

ANGULAR SURFACE MOUNTED

► SL1919H11

ORDERING CODE

Luminaire	Finish	Lens	Vol.	Power	CRI	CCT	Input Cable	Connector	Wiring
SL1919H11	W White	D Diffuser	12 12VDC	5.18W/m	90 90+	22-2200K , 24-2400K , 25-2500K 27-2700K , 30-3000K , 35-3500K 40-4000K , 50-5000K , 65-6500K	01 - Black&Red 22AWG 02 - Black&White 22AWG 03 - White PU protected 2 pin 04 - 3Pin cable for Tunable white	A - AMP male/female M - Molex male/female D - DC male/female	E - Through Endcaps S - Through profile side
	B Black	O Opal	24 24VDC	11.52W/m					
	S Silver	C Clear	36 36VDC	14.40W/m					
			48 48VDC	21.60W/m 24.00W/m 28.80W/m					
					TW	Tunable White - check your executive sales			
					D2W	Dim To Warm - check your executive sales			

RECOMMENDED LIGHT SOURCE

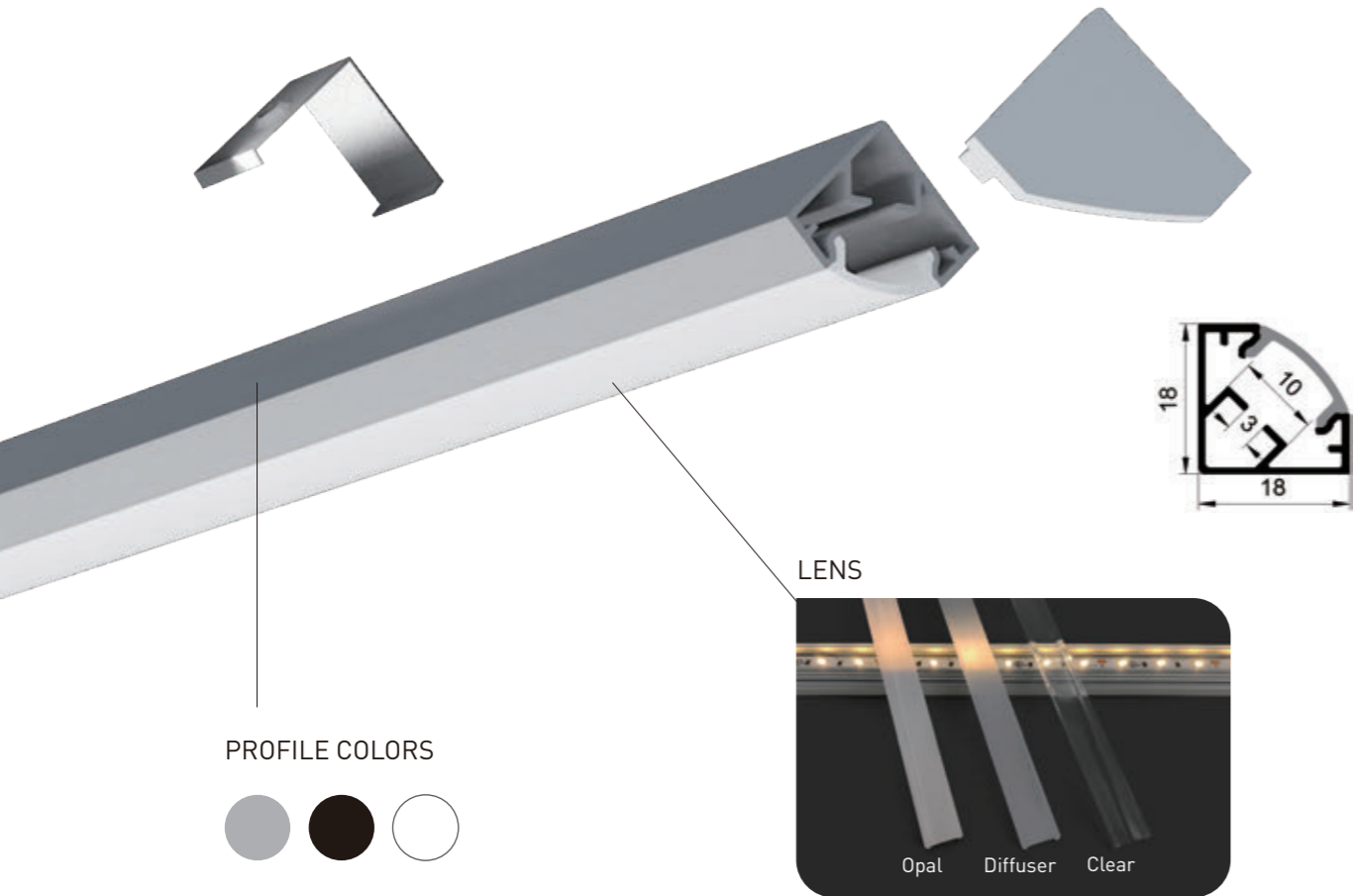
Performance	Part Code	Led Qty	Input Vol.	Power	CRI	Light Source Lumen	Diffuser Lens Lumen	Cutttable length	Max Run	Pcb Width
General	FN-2835T-120	120pcs/m	12/24VDC	14.40 W/m	90+	1512 lm/m	680 lm/m	12V=25mm 24V=50mm	12V=5m 24V=9m	10 mm
					95+	1282 lm/m	577 lm/m			
High Efficiency	FN-H2835T-128	128pcs/m	24VDC	11.52 W/m	90+	1613 lm/m	726 lm/m	24V=62.5mm	24V=6m	10 mm
					95+	1475 lm/m	664 lm/m			
	FN-H28350-160	160pcs/m	24VDC	24 W/m	90+	3480 lm/m	1739 lm/m	50mm	3m	10 mm
	FN-H28350-192	192pcs/m	24VDC	28.8 W/m	90+	4176 lm/m	2086lm/m	41.7mm	2.5m	10 mm
Long Run	LN-H2835T-80	80pcs/m	36VDC	5.18W/m	90+	580 lm/m	261 lm/m	100mm	50m	10 mm
					95+	482 lm/m	217 lm/m			
	LN-H2835T-112	112pcs/m	48VDC	11.52 W/m	90+	1336 lm/m	601 lm/m	125mm	25m	10 mm
				95+	1106 lm/m	498 lm/m				
Short Cut	FN-F2835A-120	120pcs/m	12VDC	21.60 W/m	90+	1922 lm/m	865 lm/m	16.7mm	3.5m	10 mm
					95+	1595 lm/m	718 lm/m			

Remark: 1. The tested data based on silver finish in 4000K, CRI 90+ light source. 2. LN-H2835T-80 is good for long run, but it will show light spot.



ANGULAR SURFACE MOUNTED

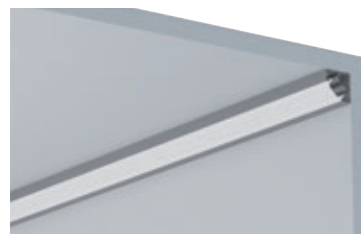
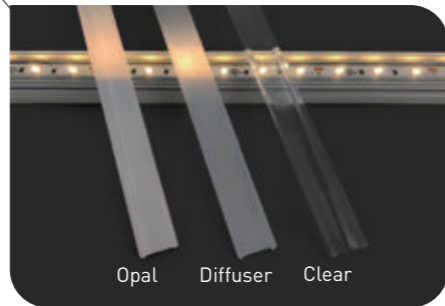
► SL1919K11



PROFILE COLORS



LENS



Installation: Angular Surface Mounted

Length Available: 1-3m

Profile Color: Silver, Black Anodized, White Powder Coating

Lens: Opal, Diffuser, Clear

Input Cable: Endcaps, Profile Sides

Quick Female/Male Connectors Input cable & Junction Box available

ANGULAR SURFACE MOUNTED

► SL1919K11

ORDERING CODE

Luminaire	Finish	Lens	Vol.	Power	CRI	CCT	Input Cable	Connector	Wiring
SL1919K11	W White	D Diffuser	12 12VDC	5.18W/m	90 90+	22-2200K , 24-2400K , 25-2500K 27-2700K , 30-3000K , 35-3500K 40-4000K , 50-5000K , 65-6500K	01 - Black&Red 22AWG	A - AMP male/female	E - Through Endcaps
	B Black	O Opal	24 24VDC	11.52W/m	95 95+	22-2200K , 25-2500K , 27-2700K 30-3000K , 35-3500K , 40-4000K 50-5000K , 65-6500K	02 - Black&White 22AWG	M - Molex male/female	S - Through profile side
	S Silver	C Clear	36 36VDC	14.40W/m	TW	Tunable White - check your executive sales	03 - White PU protected 2 pin	D - DC male/female	
			48 48VDC	21.60W/m					
				28.80W/m	D2W	Dim To Warm - check your executive sales	04 - 3Pin cable for Tunable white		

RECOMMENDED LIGHT SOURCE

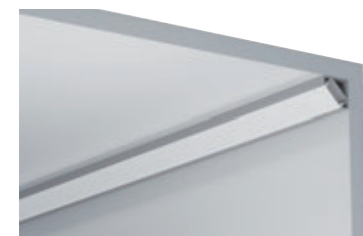
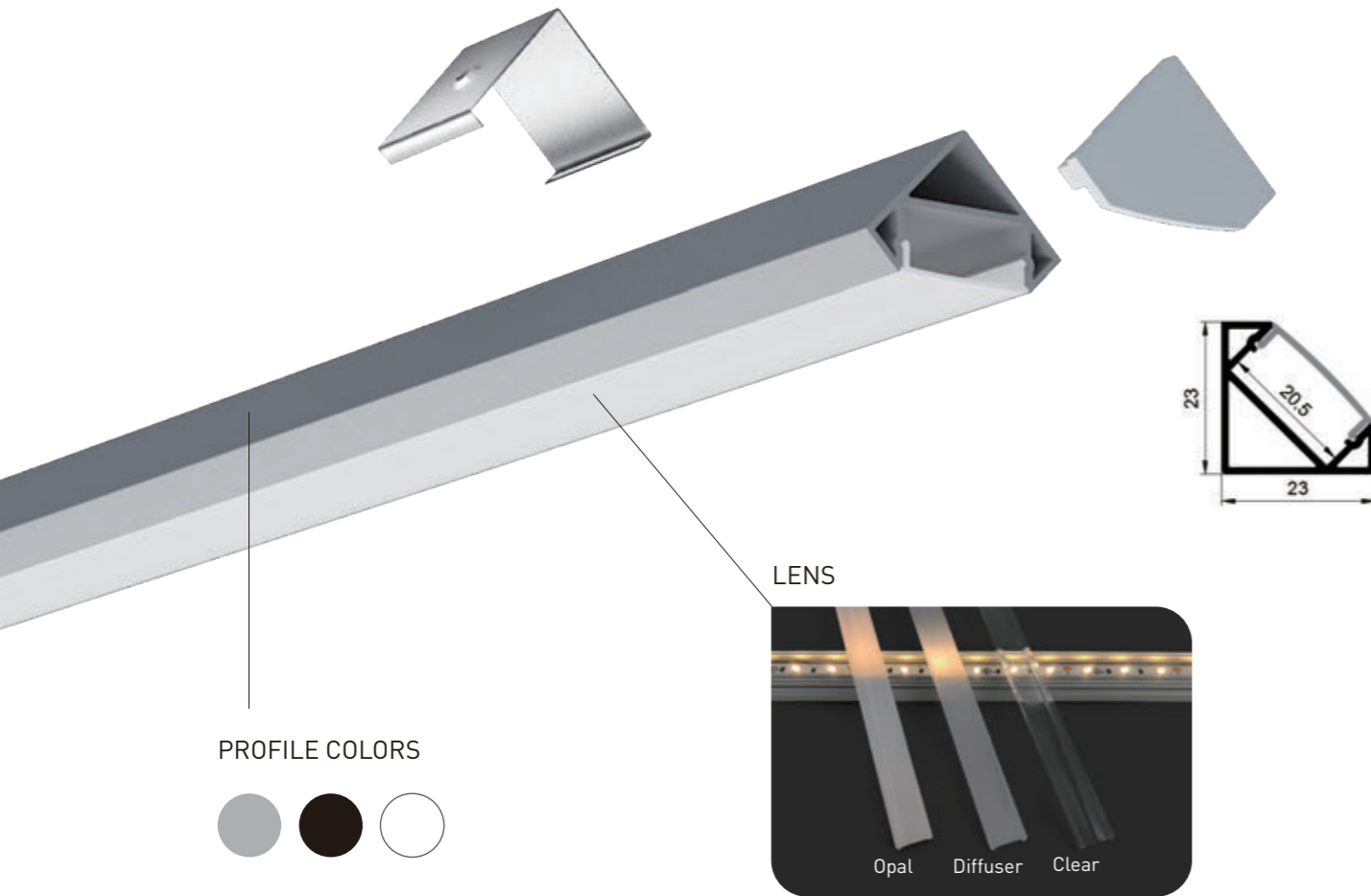
Performance	Part Code	Led Qty	Input Vol.	Power	CRI	Light Source Lumen	Diffuser Lens Lumen	Cutttable length	Max Run	Pcb Width
General	FN-2835T-120	120pcs/m	12/24VDC	14.40 W/m	90+	1512 lm/m	680 lm/m	12V=25mm	12V=5m	10 mm
					95+	1282 lm/m	577 lm/m	24V=50mm	24V=9m	
High Efficiency	FN-H2835T-128	128pcs/m	24VDC	11.52 W/m	90+	1613 lm/m	726 lm/m	24V=62.5mm	24V=6m	10 mm
	FN-H28350-160	160pcs/m	24VDC	24 W/m	90+	3480 lm/m	1739 lm/m			
	FN-H28350-192	192pcs/m	24VDC	28.8 W/m	90+	4176 lm/m	2086lm/m	41.7mm	2.5m	10 mm
Long Run	LN-H2835T-80	80pcs/m	36VDC	5.18W/m	90+	580 lm/m	261 lm/m	100mm	50m	10 mm
				95+	482 lm/m	217 lm/m				
	LN-H2835T-112	112pcs/m	48VDC	11.52 W/m	90+	1336 lm/m	601 lm/m	125mm	25m	10 mm
				95+	1106 lm/m	498 lm/m				
Short Cut	FN-F2835A-120	120pcs/m	12VDC	21.60 W/m	90+	1922 lm/m	865 lm/m	16.7mm	3.5m	10 mm
					95+	1595 lm/m	718 lm/m			

Remark: 1. The tested data based on silver finish in 4000K, CRI 90+ light source. 2. LN-H2835T-80 is good for long run, but it will show light spot.



ANGULAR SURFACE MOUNTED

► SL232320



Installation: Angular Surface Mounted
 Length Available: 1-3m
 Profile Color: Silver, Black Anodized, White Powder Coating
 Lens: Opal, Diffuser, Clear
 Input Cable: Endcaps, Profile Sides
 Quick Female/Male Connectors Input cable & Junction Box available

ANGULAR SURFACE MOUNTED

► SL232320

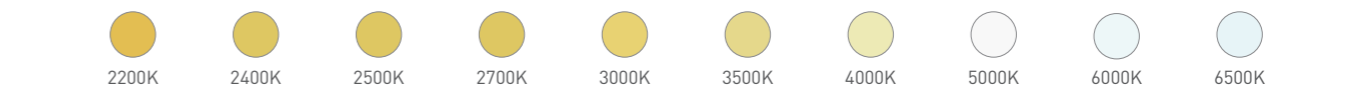
ORDERING CODE

Luminaire	Finish	Lens	Vol.	Power	CRI	CCT	Input Cable	Connector	Wiring
SL232320	W White	D Diffuser	12 12VDC	21.60W/m	90 90+	22-2200K , 24-2400K , 25-2500K 27-2700K , 30-3000K , 35-3500K 40-4000K , 50-5000K , 65-6500K	01 - Black&Red 22AWG	A - AMP male/female	E - Through Endcaps
	B Black	O Opal	24 24VDC	28.80W/m	95 95+	22-2200K , 25-2500K , 27-2700K 30-3000K , 35-3500K , 40-4000K 50-5000K , 65-6500K	02 - Black&White 22AWG	M - Molex male/female	S - Through profile side
	S Silver	C Clear		36.00W/m			03 - White PU protected 2 pin	D - DC male/female	
				43.2W/m			04 - 3Pin cable for Tunable white		
					TW	Tunable White - check your executive sales			
					D2W	Dim To Warm - check your executive sales			

RECOMMENDED LIGHT SOURCE

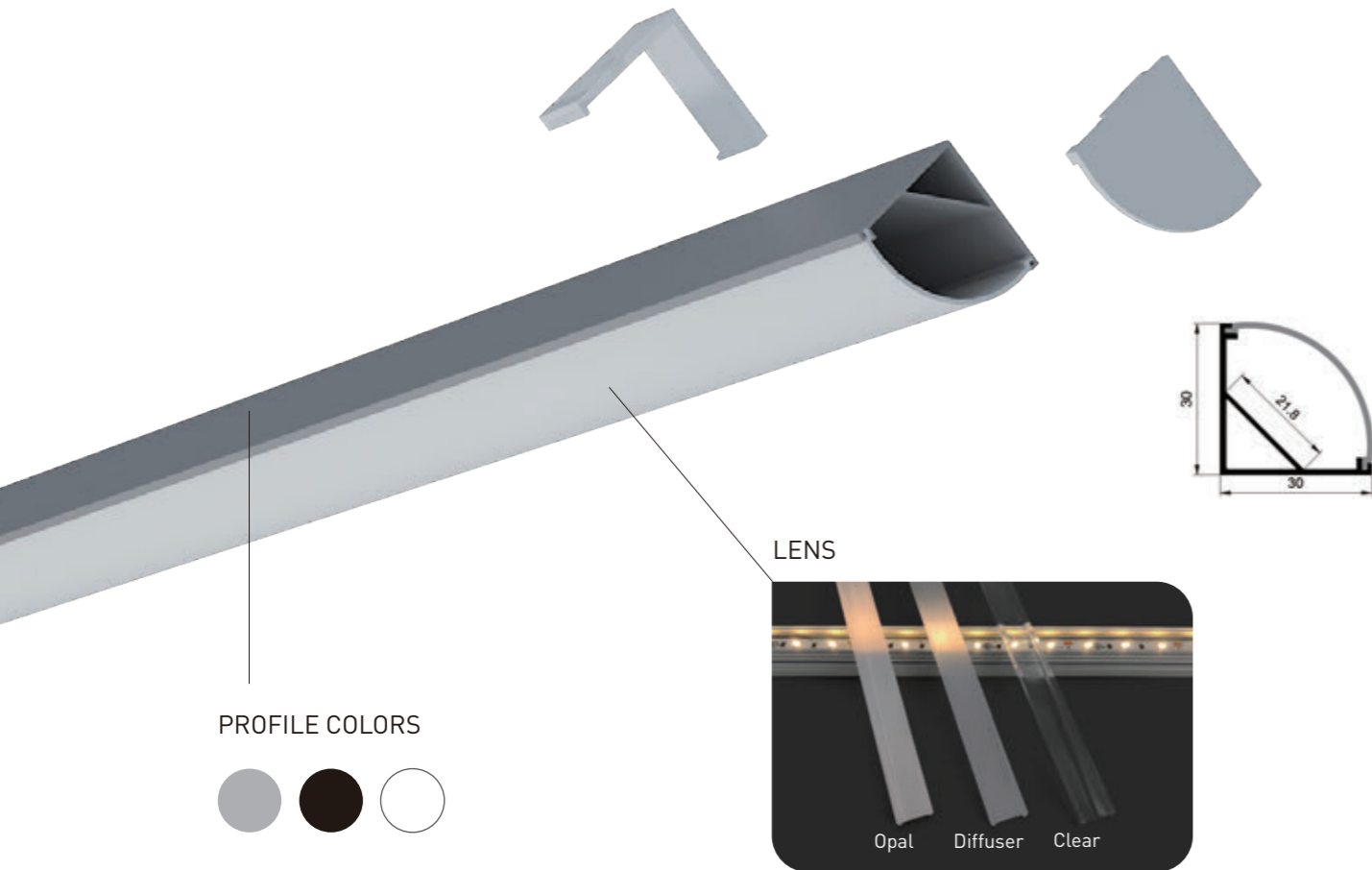
Performance	Part Code	Led Qty	Input Vol.	Power	CRI	Light Source Lumen	Diffuser Lens Lumen	Cutttable length	Max Run	Pcb Width
General	FN-2835T-240	240pcs/m	12/24VDC	28.8 W/m	90+	3024 lm/m	1663 lm/m	12V=25mm 24V=55.56mm	12V=4m 24V=6.5m	14 mm
					95+	2563 lm/m	1410 lm/m			
High Efficiency	FN-H2835-240	240pcs/m	24VDC	21.6 W/m	90+	2981 lm/m	1640 lm/m	33.3mm	7m	14 mm
				95+	2765 lm/m	1521 lm/m				
	FN-H28350-240	240pcs/m	24VDC	36 W/m	90+	5796 lm/m	3188 lm/m	33.3mm	2.5m	12 mm
	FN-H28350-288	288pcs/m	24VDC	43.2 W/m	90+	6955 lm/m	3825lm/m	27.8mm	2m	12 mm

Remark: The tested data based on silver finish in 4000K, CRI 90+ light source.



ANGULAR SURFACE MOUNTED

► SL303021



PROFILE COLORS



Opal Diffuser Clear



Installation: Angular Surface Mounted
 Length Available: 1-3m
 Profile Color: Silver, Black Anodized, White Powder Coating
 Lens: Opal, Diffuser, Clear
 Input Cable: Endcaps, Profile Sides
 Quick Female/Male Connectors Input cable & Junction Box available

ANGULAR SURFACE MOUNTED

► SL303021

ORDERING CODE

Luminaire	Finish	Lens	Vol.	Power	CRI	CCT	Input Cable	Connector	Wiring
SL303021	W White	D Diffuser	12 12VDC	21.60W/m	90 90+	22-2200K , 24-2400K , 25-2500K 27-2700K , 30-3000K , 35-3500K 40-4000K , 50-5000K , 65-6500K	01 - Black&Red 22AWG	A - AMP male/female	E - Through Endcaps
	B Black	O Opal	24 24VDC	28.80W/m	95 95+	22-2200K , 25-2500K , 27-2700K 30-3000K , 35-3500K , 40-4000K 50-5000K , 65-6500K			
	S Silver	C Clear		36.00W/m			02 - Black&White 22AWG	M - Molex male/female	S - Through profile side
				43.2W/m			03 - White PU protected 2 pin	D - DC male/female	
					TW	Tunable White - check your executive sales	04 - 3Pin cable for Tunable white		
					D2W	Dim To Warm - check your executive sales			

RECOMMENDED LIGHT SOURCE

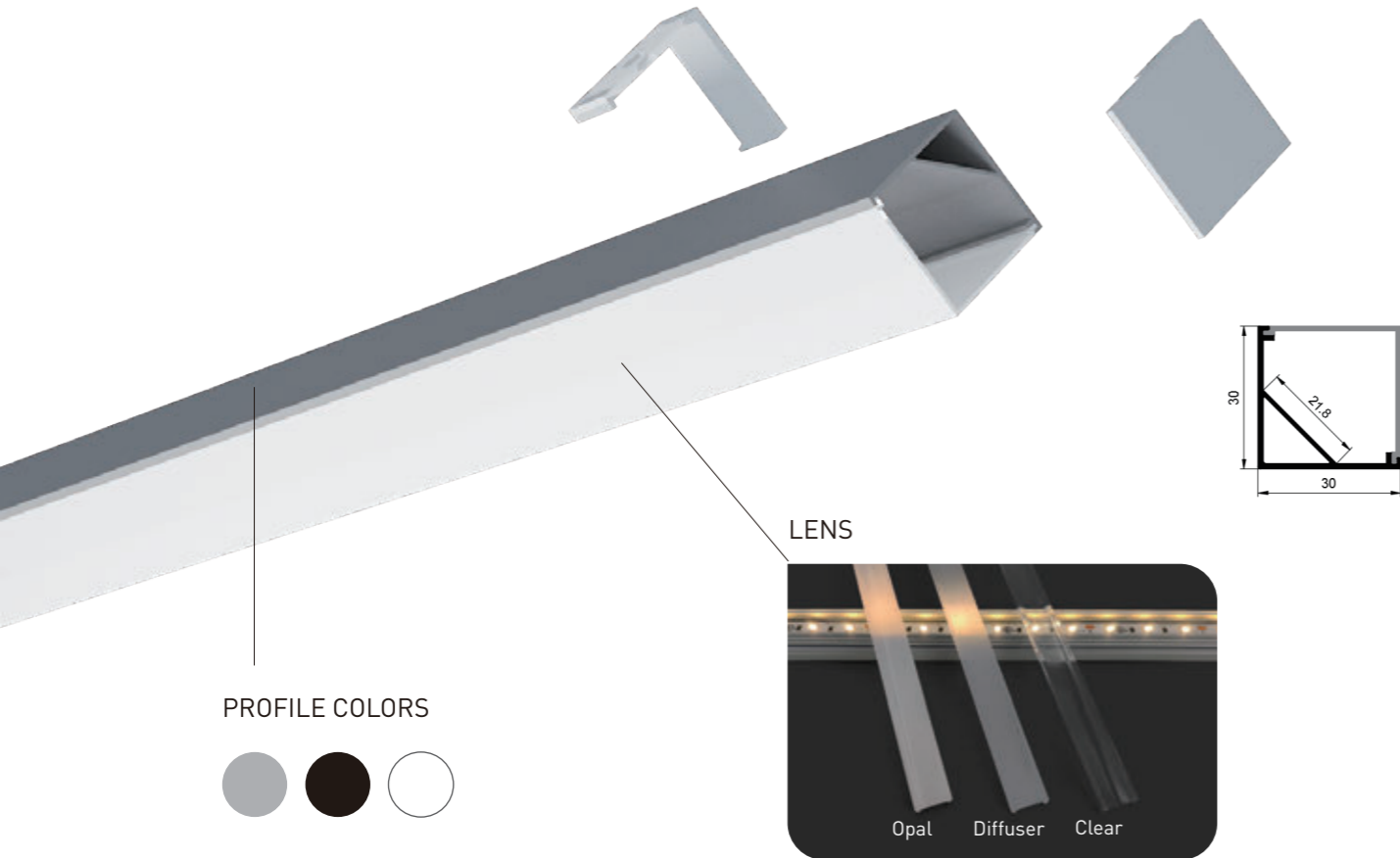
Performance	Part Code	Led Qty	Input Vol.	Power	CRI	Light Source Lumen	Diffuser Lens Lumen	Cutttable length	Max Run	Pcb Width
General	FN-2835T-240	240pcs/m	12/24VDC	28.8 W/m	90+	3024 lm/m	1754 lm/m	12V=25mm 24V=55.56mm	12V=4m 24V=6.5m	14 mm
					95+	2563 lm/m	1487 lm/m			
High Efficiency	FN-H2835 -240	240pcs/m	24VDC	21.6 W/m	90+	2981 lm/m	1729 lm/m	33.3mm	7m	14 mm
				95+	2765 lm/m	1604 lm/m				
	FN-H28350-240	240pcs/m	24VDC	36 W/m	90+	5796 lm/m	3362 lm/m	33.3mm	2.5m	12 mm
	FN-H28350-288	288pcs/m	24VDC	43.2 W/m	90+	6955 lm/m	4034 lm/m	27.8mm	2m	12 mm

Remark: The tested data based on silver finish in 4000K, CRI 90+ light source.



ANGULAR SURFACE MOUNTED

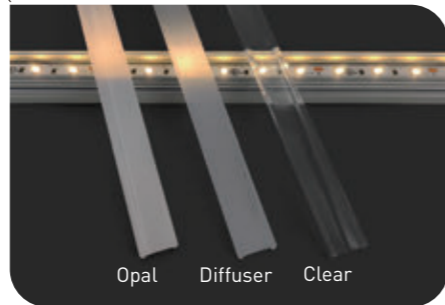
► SL3030B21



PROFILE COLORS



LENS



Installation: Angular Surface Mounted
 Length Available: 1-3m
 Profile Color: Silver, Black Anodized, White Powder Coating
 Lens: Opal, Diffuser, Clear
 Input Cable: Endcaps, Profile Sides
 Quick Female/Male Connectors Input cable & Junction Box available

ANGULAR SURFACE MOUNTED

► SL3030B21

ORDERING CODE

Luminaire	Finish	Lens	Vol.	Power	CRI	CCT	Input Cable	Connector	Wiring
SL3030B21	W White	D Diffuser	12 12VDC	21.60W/m	90 90+	22-2200K , 24-2400K , 25-2500K 27-2700K , 30-3000K , 35-3500K 40-4000K , 50-5000K , 65-6500K	01 - Black&Red 22AWG	A - AMP male/female	E - Through Endcaps
	B Black	O Opal	24 24VDC	28.80W/m	95 95+	22-2200K , 25-2500K , 27-2700K 30-3000K , 35-3500K , 40-4000K 50-5000K , 65-6500K	02 - Black&White 22AWG	M - Molex male/female	S - Through profile side
	S Silver	C Clear		36.00W/m			03 - White PU protected 2 pin	D - DC male/female	
				43.2W/m			04 - 3Pin cable for Tunable white		
					TW	Tunable White - check your executive sales			
					D2W	Dim To Warm - check your executive sales			

RECOMMENDED LIGHT SOURCE

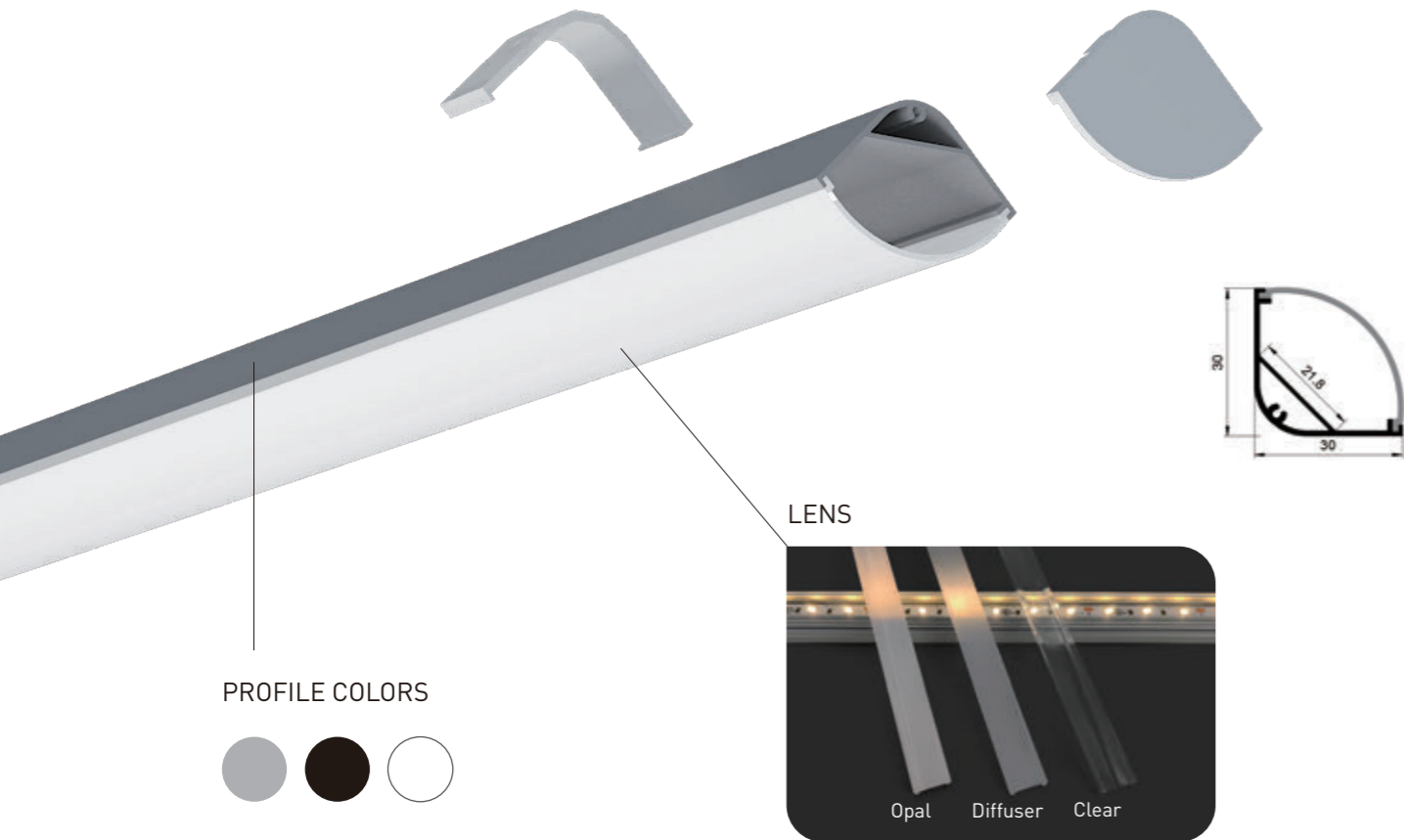
Performance	Part Code	Led Qty	Input Vol.	Power	CRI	Light Source Lumen	Diffuser Lens Lumen	Cutttable length	Max Run	Pcb Width
General	FN-2835T-240	240pcs/m	12/24VDC	28.8 W/m	90+	3024 lm/m	2147 lm/m	12V=25mm 24V=55.56mm	12V=4m 24V=6.5m	14 mm
					95+	2563 lm/m	1820 lm/m			
High Efficiency	FN-H2835-240	240pcs/m	24VDC	21.6 W/m	90+	2981 lm/m	2117 lm/m	33.3mm	7m	14 mm
	FN-H28350-240	240pcs/m	24VDC	36 W/m	90+	5796 lm/m	4115 lm/m			
	FN-H28350-288	288pcs/m	24VDC	43.2 W/m	90+	6955 lm/m	4938 lm/m	27.8mm	2m	12 mm

Remark: The tested data based on silver finish in 4000K, CRI 90+ light source.



ANGULAR SURFACE MOUNTED

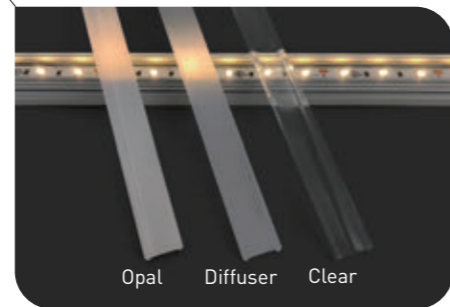
► SL3030C21



PROFILE COLORS



LENS



Installation: Angular Surface Mounted
 Length Available: 1-3m
 Profile Color: Silver, Black Anodized, White Powder Coating
 Lens: Opal, Diffuser, Clear
 Input Cable: Endcaps, Profile Sides
 Quick Female/Male Connectors Input cable & Junction Box available

ANGULAR SURFACE MOUNTED

► SL3030C21

ORDERING CODE

Luminaire	Finish	Lens	Vol.	Power	CRI	CCT	Input Cable	Connector	Wiring
SL3030C21	W White	D Diffuser	12 12VDC	21.60W/m	90 90+	22-2200K , 24-2400K , 25-2500K 27-2700K , 30-3000K , 35-3500K 40-4000K , 50-5000K , 65-6500K	01 - Black&Red 22AWG	A - AMP male/female	E - Through Endcaps
	B Black	O Opal	24 24VDC	28.80W/m	95 95+	22-2200K , 25-2500K , 27-2700K 30-3000K , 35-3500K , 40-4000K 50-5000K , 65-6500K	02 - Black&White 22AWG	M - Molex male/female	S - Through profile side
	S Silver	C Clear	36 36VDC	43.2W/m			03 - White PU protected 2 pin	D - DC male/female	
			48 48VDC				04 - 3Pin cable for Tunable white		
					TW	Tunable White - check your executive sales			
					D2W	Dim To Warm - check your executive sales			

RECOMMENDED LIGHT SOURCE

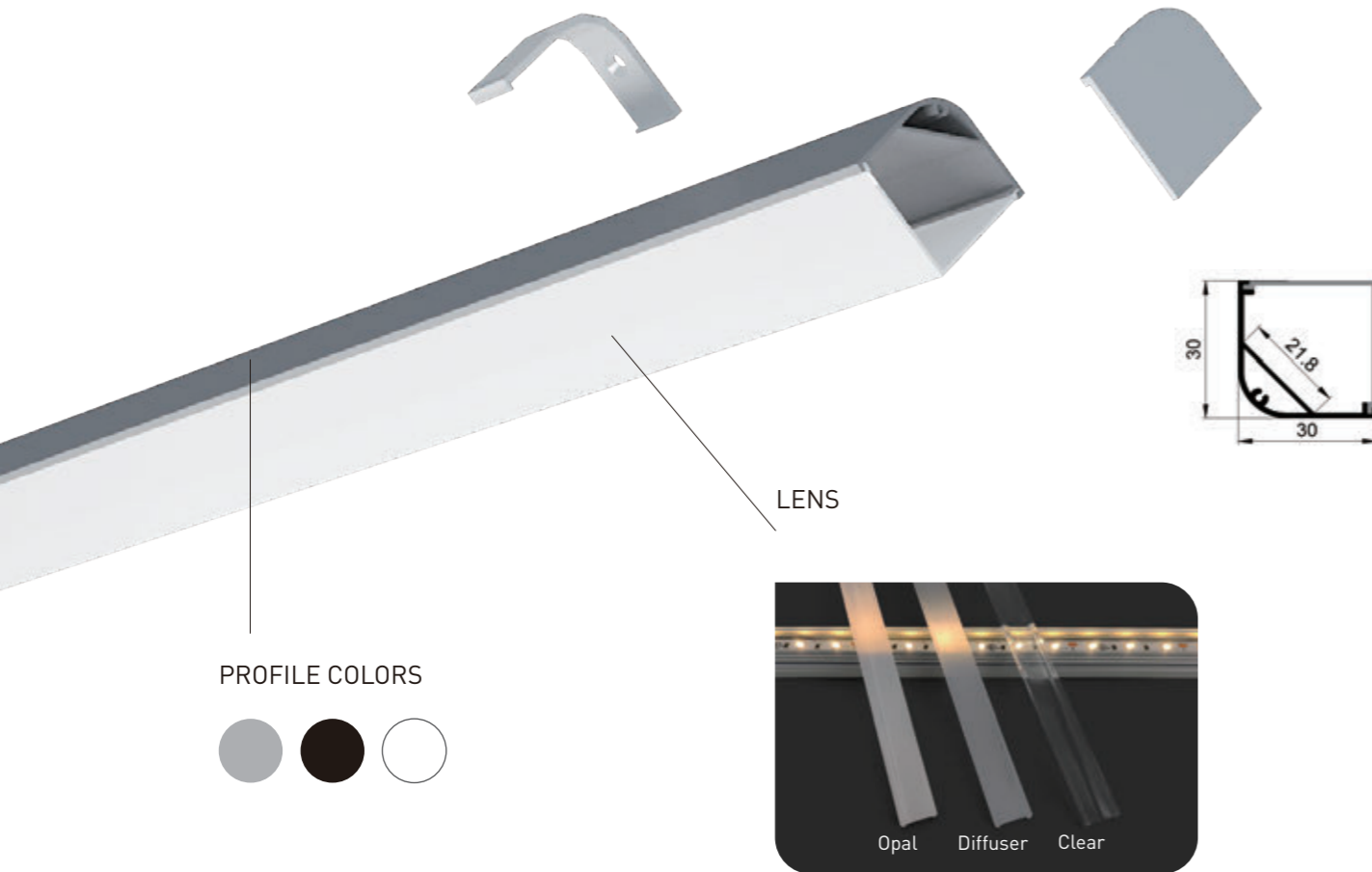
Performance	Part Code	Led Qty	Input Vol.	Power	CRI	Light Source Lumen	Diffuser Lens Lumen	Cutttable length	Max Run	Pcb Width
General	FN-2835T-240	240pcs/m	12/24VDC	28.8 W/m	90+	3024 lm/m	1754 lm/m	12V=25mm 24V=55.56mm	12V=4m 24V=6.5m	14 mm
					95+	2563 lm/m	1487 lm/m			
High Efficiency	FN-H2835-240	240pcs/m	24VDC	21.6 W/m	90+	2981 lm/m	1729 lm/m	33.3mm	7m	14 mm
				95+	2765 lm/m	1604 lm/m				
	FN-H28350-240	240pcs/m	24VDC	36 W/m	90+	5796 lm/m	3362 lm/m	33.3mm	2.5m	12 mm
	FN-H28350-288	288pcs/m	24VDC	43.2 W/m	90+	6955 lm/m	4034 lm/m	27.8mm	2m	12 mm

Remark: The tested data based on silver finish in 4000K, CRI 90+ light source.



ANGULAR SURFACE MOUNTED

► SL3030D21



LENS

PROFILE COLORS



Opal Diffuser Clear



Installation: Angular Surface Mounted
 Length Available: 1-3m
 Profile Color: Silver, Black Anodized, White Powder Coating
 Lens: Opal, Diffuser, Clear
 Input Cable: Endcaps, Profile Sides
 Quick Female/Male Connectors Input cable & Junction Box available

ANGULAR SURFACE MOUNTED

► SL3030D21

ORDERING CODE

Luminaire	Finish	Lens	Vol.	Power	CRI	CCT	Input Cable	Connector	Wiring
SL3030D21	W White	D Diffuser	24 24VDC	16.42W/m	90 90+	22-2200K , 24-2400K 25-2500K , 27-2700K 30-3000K , 35-3500K 40-4000K , 50-5000K 65-6500K	01 - Black&Red 22AWG	A - AMP male/female	E - Through Endcaps
	B Black	O Opal					02 - Black&White 22AWG	M - Molex male/female	S - Through profile side
	S Silver	C Clear					03 - White PU protected 2 pin	D - DC male/female	
					TW	Tunable White - check your executive sales			
					D2W	Dim To Warm - check your executive sales	04 - 3Pin cable for Tunable white		

RECOMMENDED LIGHT SOURCE

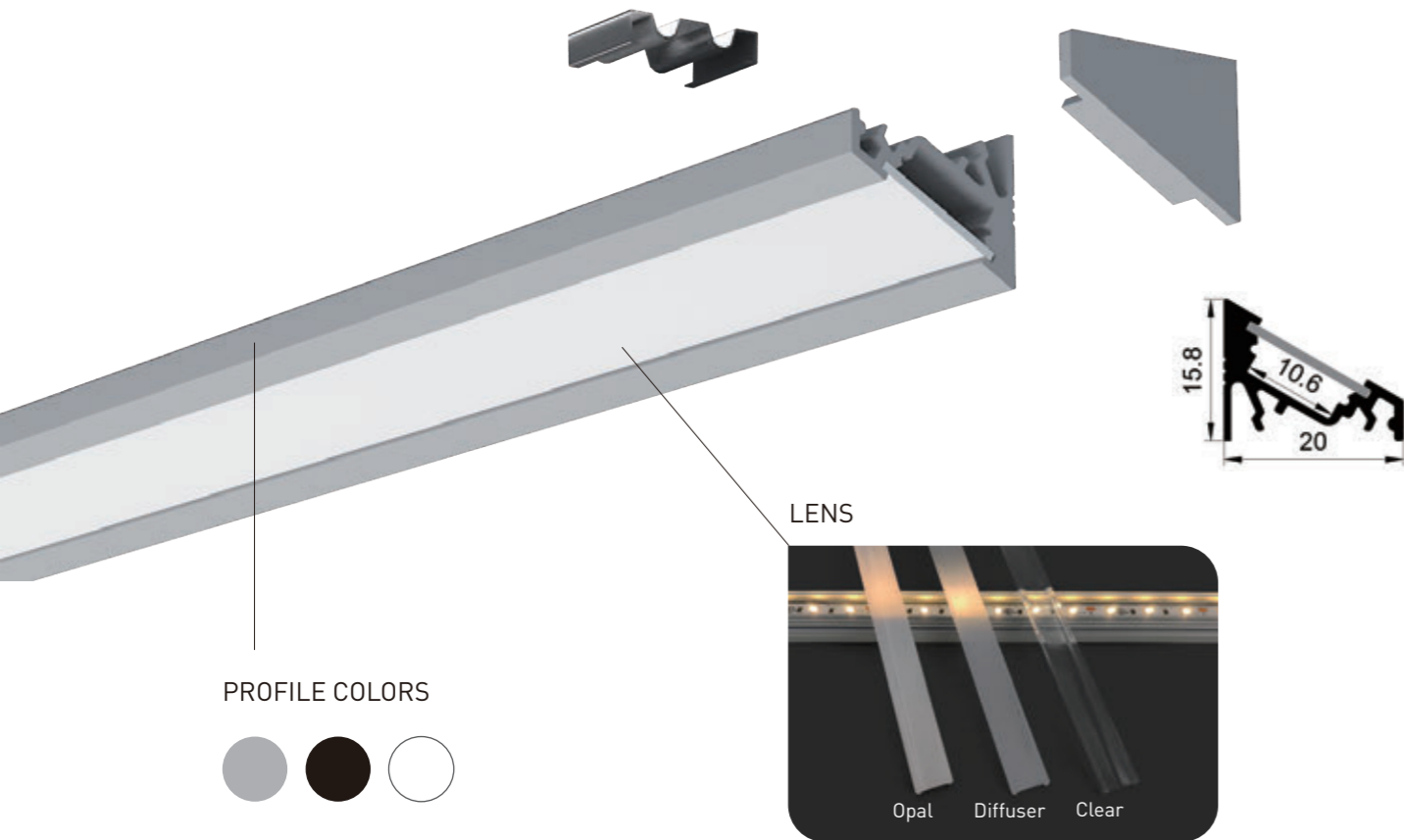
Performance	Part Code	Led Qty	Input Vol.	Power	CRI	Light Source Lumen	Diffuser Lens Lumen	Cutttable length	Max Run	Pcb Width
General	FN-2016-266	266pcs/m	24VDC	16.42W/m	90+	1700 lm/m	1207 lm/m	26.3mm	3m	10mm

Remark: The tested data based on silver finish in 4000K, CRI 90+ light source.



ANGULAR SURFACE MOUNTED

► SL221510



ANGULAR SURFACE MOUNTED

► SL221510

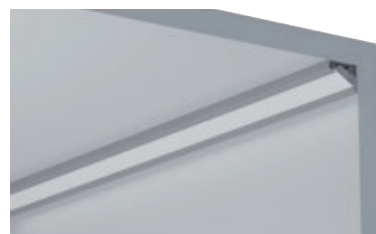
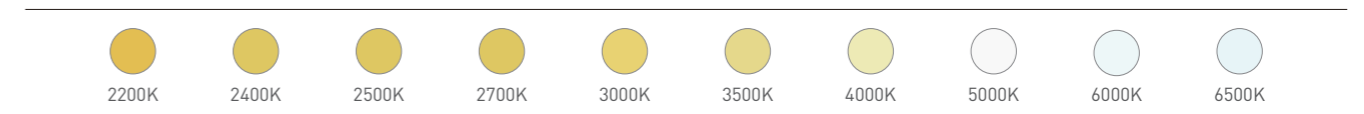
ORDERING CODE

Luminaire	Finish	Lens	Vol.	Power	CRI	CCT	Input Cable	Connector	Wiring
SL221510	W White	D Diffuser	24 24VDC	16.42W/m	90 90+	22-2200K , 24-2400K 25-2500K , 27-2700K 30-3000K , 35-3500K 40-4000K , 50-5000K 65-6500K	01 - Black&Red 22AWG	A - AMP male/female	E - Through Endcaps
	B Black	O Opal					02 - Black&White 22AWG	M - Molex male/female	S - Through profile side
	S Silver	C Clear					03 - White PU protected 2 pin	D - DC male/female	
					TW	Tunable White - check your executive sales			
					D2W	Dim To Warm - check your executive sales	04 - 3Pin cable for Tunable white		

RECOMMENDED LIGHT SOURCE

Performance	Part Code	Led Qty	Input Vol.	Power	CRI	Light Source Lumen	Diffuser Lens Lumen	Cutttable length	Max Run	Pcb Width
General	FN-2016-266	266pcs/m	24VDC	16.42W/m	90+	1700 lm/m	1105 lm/m	26.3mm	3m	10mm

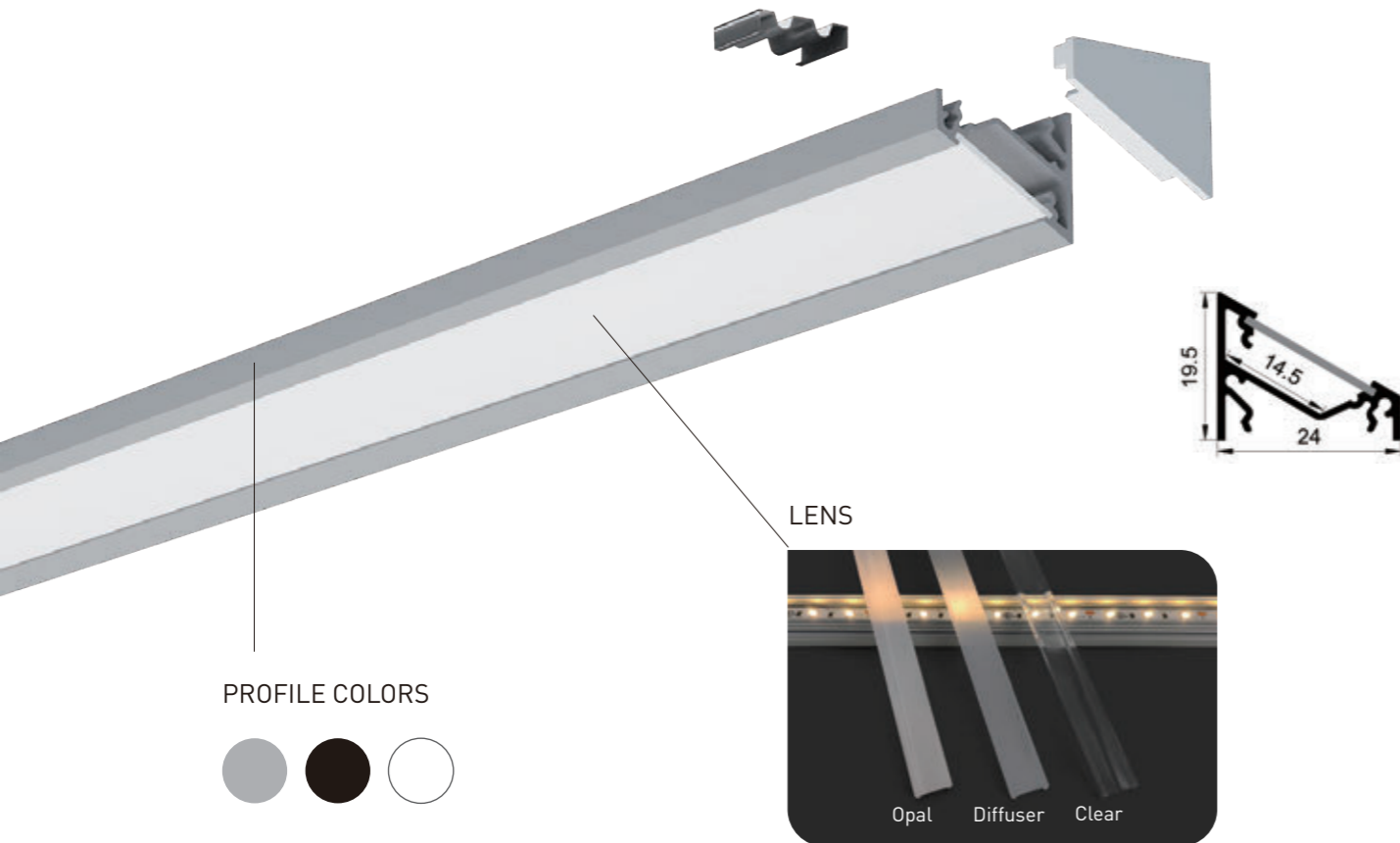
Remark: The tested data based on silver finish in 4000K, CRI 90+ light source.



Installation: Angular Surface Mounted
 Length Available: 1-3m
 Profile Color: Silver, Black Anodized, White Powder Coating
 Lens: Opal, Diffuser, Clear
 Input Cable: Endcaps, Profile Sides
 Quick Female/Male Connectors Input cable & Junction Box available

ANGULAR SURFACE MOUNTED

► SL271914



ANGULAR SURFACE MOUNTED

► SL271914

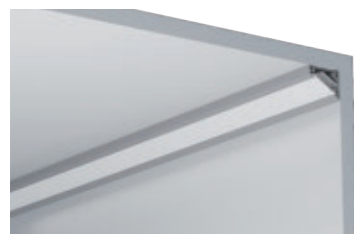
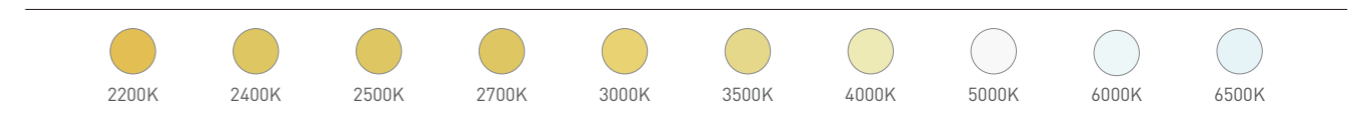
ORDERING CODE

Luminaire	Finish	Lens	Vol.	Power	CRI	CCT	Input Cable	Connector	Wiring
SL271914	W White	D Diffuser	24 24VDC	16.42W/m	90 90+	22-2200K , 24-2400K 25-2500K , 27-2700K 30-3000K , 35-3500K 40-4000K , 50-5000K 65-6500K	01 - Black&Red 22AWG	A - AMP male/female	E - Through Endcaps
	B Black	O Opal					02 - Black&White 22AWG	M - Molex male/female	S - Through profile side
	S Silver	C Clear					03 - White PU protected 2 pin	D - DC male/female	
					TW	Tunable White - check your executive sales			
					D2W	Dim To Warm - check your executive sales	04 - 3Pin cable for Tunable white		

RECOMMENDED LIGHT SOURCE

Performance	Part Code	Led Qty	Input Vol.	Power	CRI	Light Source Lumen	Diffuser Lens Lumen	Cutttable length	Max Run	Pcb Width
General	FN-2016-266	266pcs/m	24VDC	16.42W/m	90+	1700 lm/m	1105 lm/m	26.3mm	3m	10mm

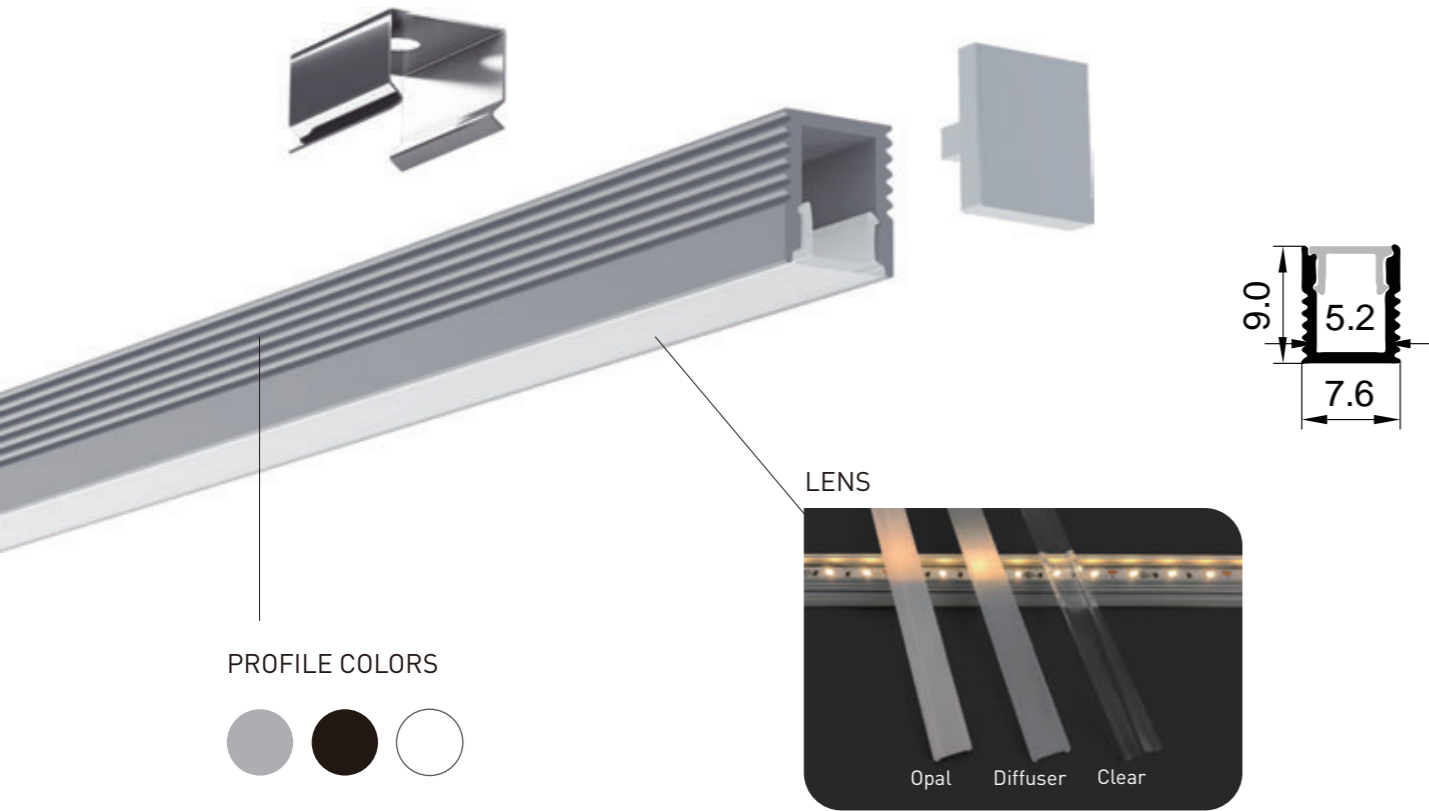
Remark: 1. The tested data based on silver finish in 4000K, CRI 90+ light source. 2. LN-H2835T-80 is good for long run, but it will show light spot.



Installation: Angular Surface Mounted
 Length Available: 1-3m
 Profile Color: Silver, Black Anodized, White Powder Coating
 Lens: Opal, Diffuser, Clear
 Input Cable: Endcaps, Profile Sides
 Quick Female/Male Connectors Input cable & Junction Box available

MINI SERIES

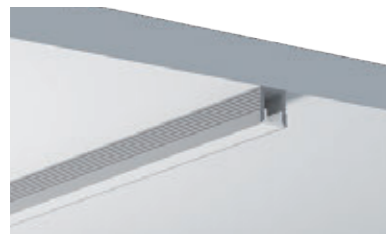
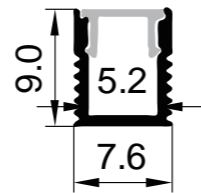
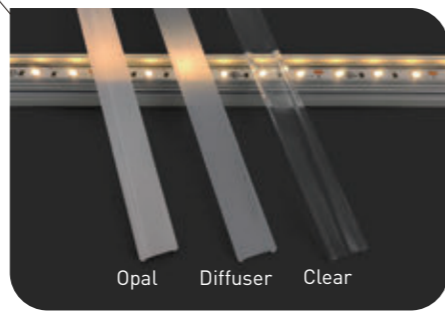
► SL080905



PROFILE COLORS



LENS



Installation: Surface Mounted
 Length Available: 1-3m
 Profile Color: Silver, Black Anodized, White Powder Coating
 Lens: Opal, Diffuser, Clear
 Input Cable: Endcaps, Profile Bottom, Profile Sides
 Quick Female/Male Connectors Input cable & Junction Box available

MINI SERIES

► SL080905

ORDERING CODE

Luminaire	Finish	Lens	Vol.	Power	CRI	CCT	Input Cable	Connector	Wiring
SL080905	W White	D Diffuser	12 12VDC	4.8W/m	90	22-2200K , 24-2400K , 25-2500K	01 - Black&Red 22AWG	A - AMP male/female	B - Through profile back
	B Black	O Opal	24 24VDC	9.6W/m	90+	27-2700K , 30-3000K , 35-3500K 40-4000K , 50-5000K , 65-6500K			
	S Silver	C Clear		12.24W/m	95	22-2200K , 25-2500K , 27-2700K	02 - Black&White 22AWG	M - Molex male/female	E - Through Endcaps
				28.8W/m	95+	30-3000K , 35-3500K , 40-4000K 50-5000K , 65-6500K			
					TW	Tunable White - check your executive sales	03 - White PU protected 2 pin		S - Through profile side
					D2W	Dim To Warm - check your executive sales	04 - 3Pin cable for Tunable white		

RECOMMENDED LIGHT SOURCE

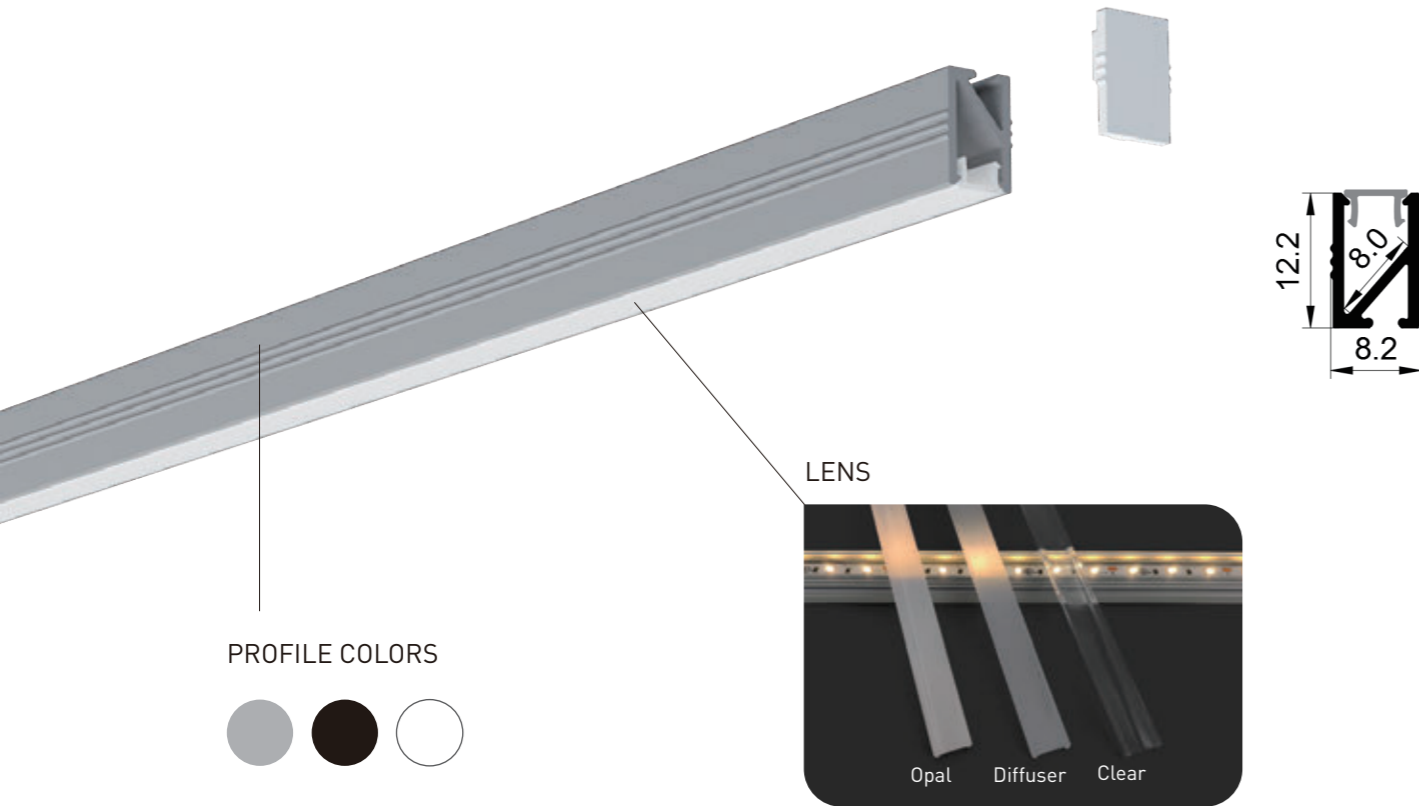
Part Code	Led Qty	Input Vol.	Power	CRI	Light Source Lumen	Diffuser Lens Lumen	Cutttable length	Max Run	Pcb Width
MN-2835A-120	120pcs/m	12/24VDC	9.6 W/m	90+	956 lm/m	373 lm/m	12V=25mm 24V=50mm	12V=1.5m 24V=3m	4 mm
				95+	793 lm/m	309 lm/m			
MN-2110-238	238pcs/m	24VDC	12.24 W/m	90+	1126 lm/m	439 lm/m	29.4mm	2m	4 mm
				95+	935 lm/m	364 lm/m			

Remark: The tested data based on silver finish in 4000K, CRI 90+ light source.



MINI SERIES

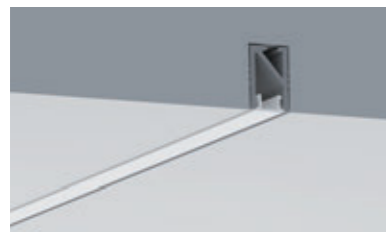
► SL091208



PROFILE COLORS



Opal Diffuser Clear



Installation: Surface Mounted
 Length Available: 1-3m
 Profile Color: Silver, Black Anodized, White Powder Coating
 Lens: Opal, Diffuser, Clear
 Input Cable: Endcaps, Profile Bottom, Profile Sides
 Quick Female/Male Connectors Input cable & Junction Box available

MINI SERIES

► SL091208

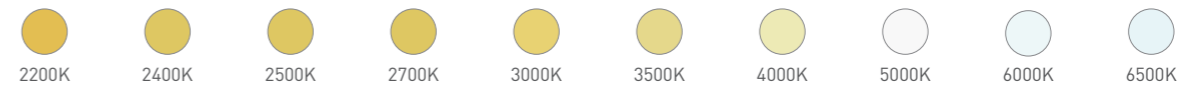
ORDERING CODE

Luminaire	Finish	Lens	Vol.	Power	CRI	CCT	Input Cable	Connector	Wiring
SL091208	W White	D Diffuser	12 12VDC	4.8W/m	90	22-2200K , 24-2400K , 25-2500K 27-2700K , 30-3000K , 35-3500K 40-4000K , 50-5000K , 65-6500K	01 - Black&Red 22AWG	A - AMP male/female	B - Through profile back
	B Black	O Opal	24 24VDC	9.6W/m	95				
	S Silver	C Clear		12.24W/m	95+	22-2200K , 25-2500K , 27-2700K 30-3000K , 35-3500K , 40-4000K 50-5000K , 65-6500K	02 - Black&White 22AWG	M - Molex male/female	E - Through Endcaps
				28.8W/m		TW	Tunable White - check your executive sales	03 - White PU protected 2 pin	D - DC male/female
						D2W	Dim To Warm - check your executive sales	04 - 3Pin cable for Tunable white	

RECOMMENDED LIGHT SOURCE

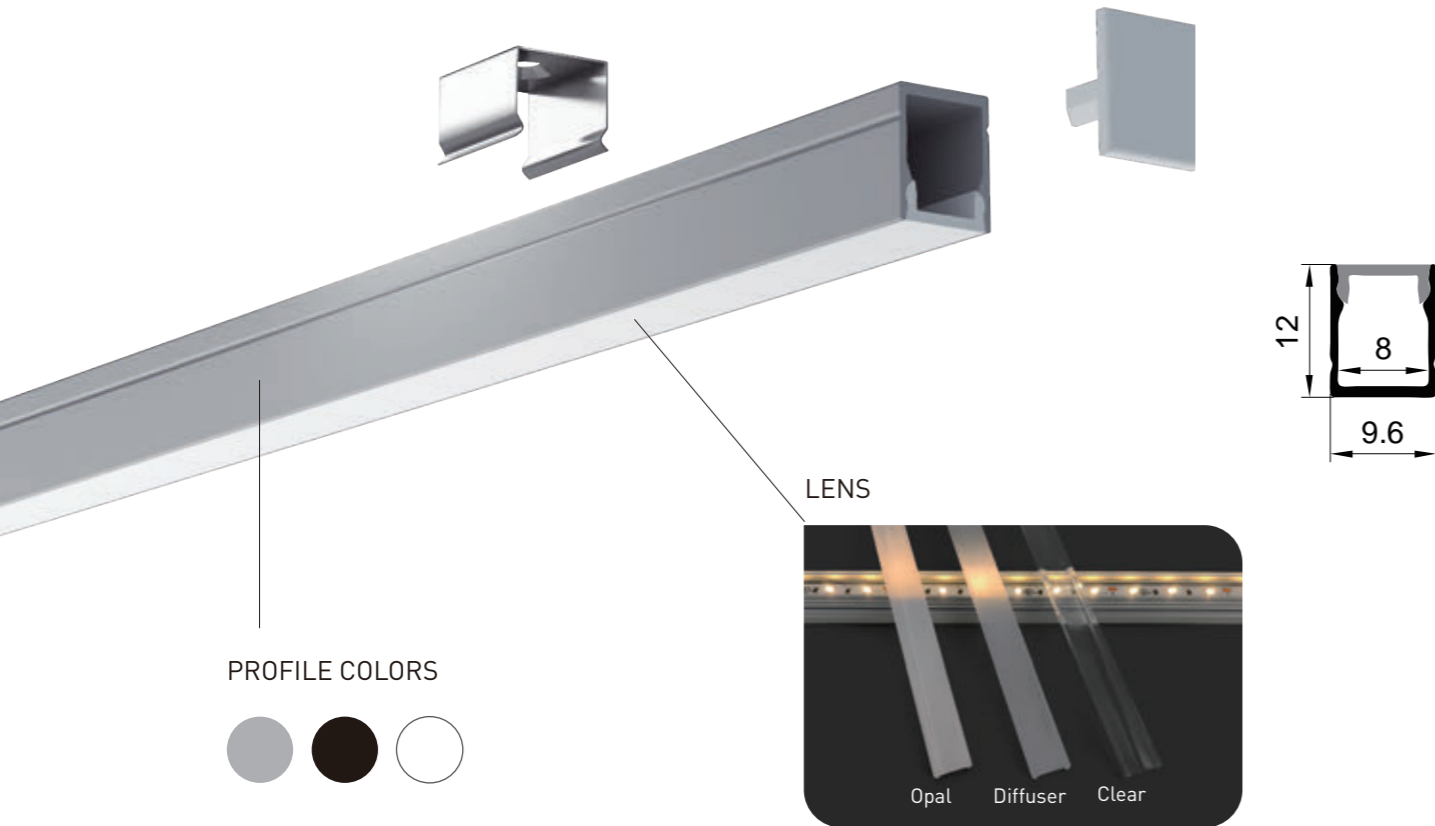
Part Code	Led Qty	Input Vol.	Power	CRI	Light Source Lumen	Diffuser Lens Lumen	Cutttable length	Max Run	Pcb Width
MN-2835A-120	120pcs/m	12/24VDC	9.6 W/m	90+	956 lm/m	373 lm/m	12V=25mm 24V=50mm	12V=1.5m 24V=3m	4 mm
				95+	793 lm/m	309 lm/m			
MN-2110-238	238pcs/m	24VDC	12.24 W/m	90+	1126 lm/m	439 lm/m	29.4mm	2m	4 mm
				95+	935 lm/m	364 lm/m			

Remark: The tested data based on silver finish in 4000K, CRI 90+ light source.



MINI SERIES

► SL101208



PROFILE COLORS



Opal Diffuser Clear



Installation: Surface Mounted
 Length Available: 1-3m
 Profile Color: Silver, Black Anodized, White Powder Coating
 Lens: Opal, Diffuser, Clear
 Input Cable: Endcaps, Profile Bottom, Profile Sides
 Quick Female/Male Connectors Input cable & Junction Box available

MINI SERIES

► SL101208

ORDERING CODE

Luminaire	Finish	Lens	Vol.	Power	CRI	CCT	Input Cable	Connector	Wiring
SL101208	W White	D Diffuser	12 12VDC	4.8W/m	90	22-2200K , 24-2400K , 25-2500K 27-2700K , 30-3000K , 35-3500K 40-4000K , 50-5000K , 65-6500K	01 - Black&Red 22AWG	A - AMP male/female	B - Through profile back
	B Black	O Opal	24 24VDC	9.6W/m	90+				
	S Silver	C Clear		12.24W/m	95	22-2200K , 25-2500K , 27-2700K 30-3000K , 35-3500K , 40-4000K 50-5000K , 65-6500K	02 - Black&White 22AWG	M - Molex male/female	E - Through Endcaps
				28.8W/m	95+				
					TW	Tunable White - check your executive sales	03 - White PU protected 2 pin		S - Through profile side
					D2W	Dim To Warm - check your executive sales	04 - 3Pin cable for Tunable white		

RECOMMENDED LIGHT SOURCE

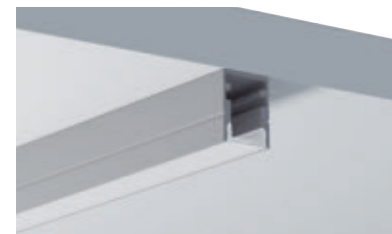
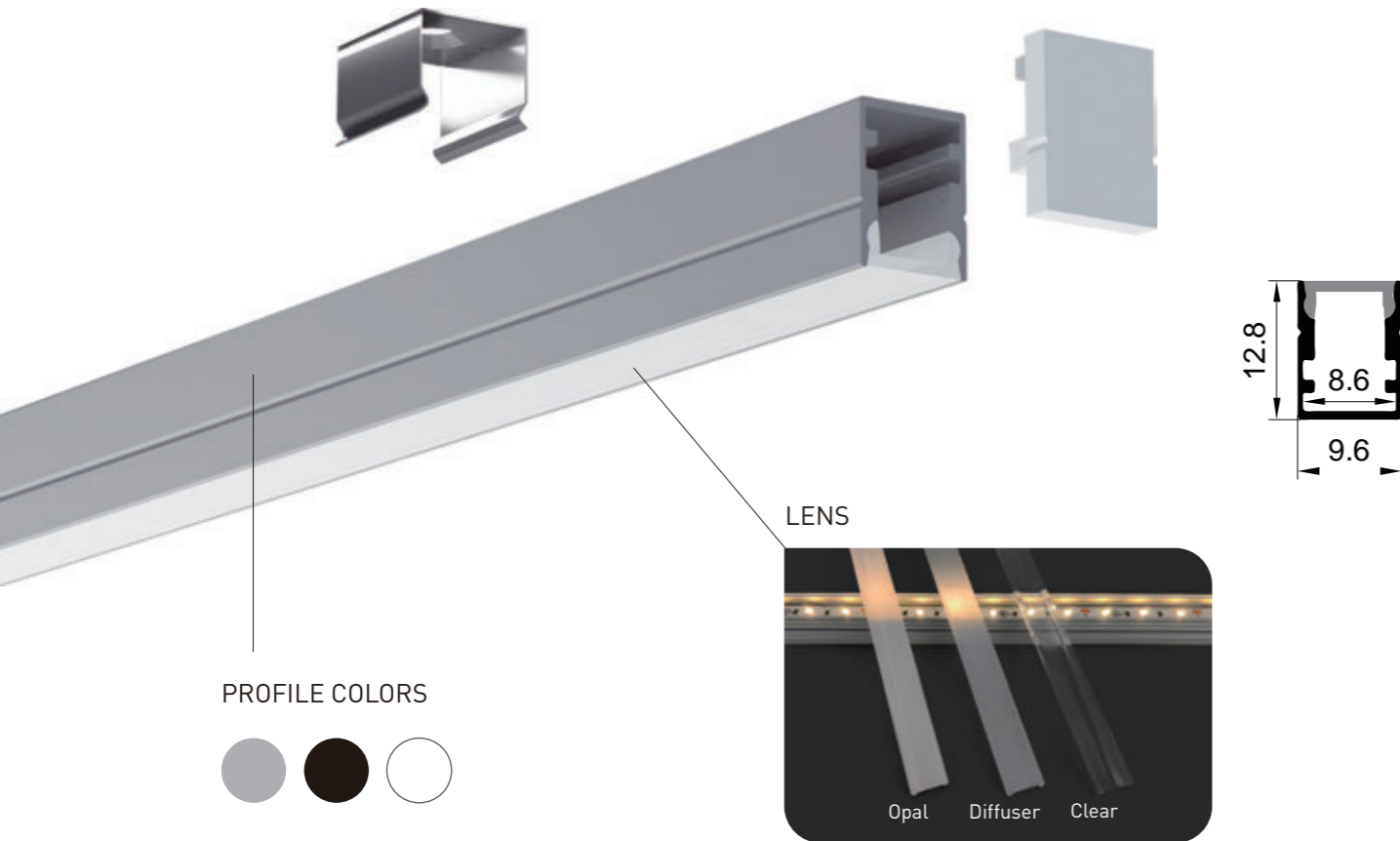
Part Code	Led Qty	Input Vol.	Power	CRI	Light Source Lumen	Diffuser Lens Lumen	Cutttable length	Max Run	Pcb Width
MN-2835A-120	120pcs/m	12/24VDC	9.6 W/m	90+	956 lm/m	373 lm/m	12V=25mm 24V=50mm	12V=1.5m 24V=3m	4 mm
				95+	793 lm/m	309 lm/m			
MN-2110-238	238pcs/m	24VDC	12.24 W/m	90+	1126 lm/m	439 lm/m	29.4mm	2m	4 mm
				95+	935 lm/m	364 lm/m			
MN-5630A-60	60pcs/m	24VDC	28.8 W/m	90+	1900 lm/m	741 lm/m	100mm	2m	6 mm
				95+	1577 lm/m	615 lm/m			

Remark: The tested data based on silver finish in 4000K, CRI 90+ light source.



MINI SERIES

► SL1012B08



Installation: Surface Mounted
 Length Available: 1-3m
 Profile Color: Silver, Black Anodized, White Powder Coating
 Lens: Opal, Diffuser, Clear
 Input Cable: Endcaps, Profile Bottom, Profile Sides
 Quick Female/Male Connectors Input cable & Junction Box available

MINI SERIES

► SL1012B08

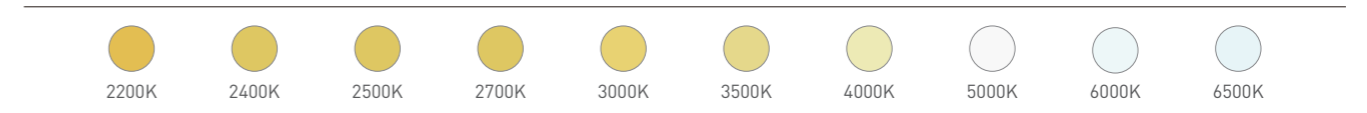
ORDERING CODE

Luminaire	Finish	Lens	Vol.	Power	CRI	CCT	Input Cable	Connector	Wiring
SL1012B08	W White	D Diffuser	12 12VDC	4.8W/m	90	22-2200K , 24-2400K , 25-2500K 27-2700K , 30-3000K , 35-3500K 40-4000K , 50-5000K , 65-6500K	01 - Black&Red 22AWG 02 - Black&White 22AWG 03 - White PU protected 2 pin 04 - 3Pin cable for Tunable white	A - AMP male/female M - Molex male/female D - DC male/female	B - Through profile back E - Through Endcaps S - Through profile side
	B Black	O Opal	24 24VDC	9.6W/m	95				
	S Silver	C Clear		12.24W/m	95+	22-2200K , 25-2500K , 27-2700K 30-3000K , 35-3500K , 40-4000K 50-5000K , 65-6500K			
				28.8W/m	TW	Tunable White - check your executive sales			
					D2W	Dim To Warm - check your executive sales			

RECOMMENDED LIGHT SOURCE

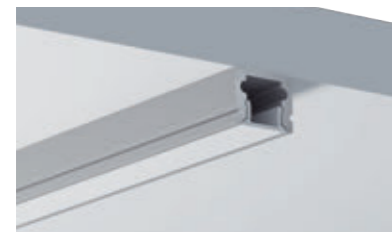
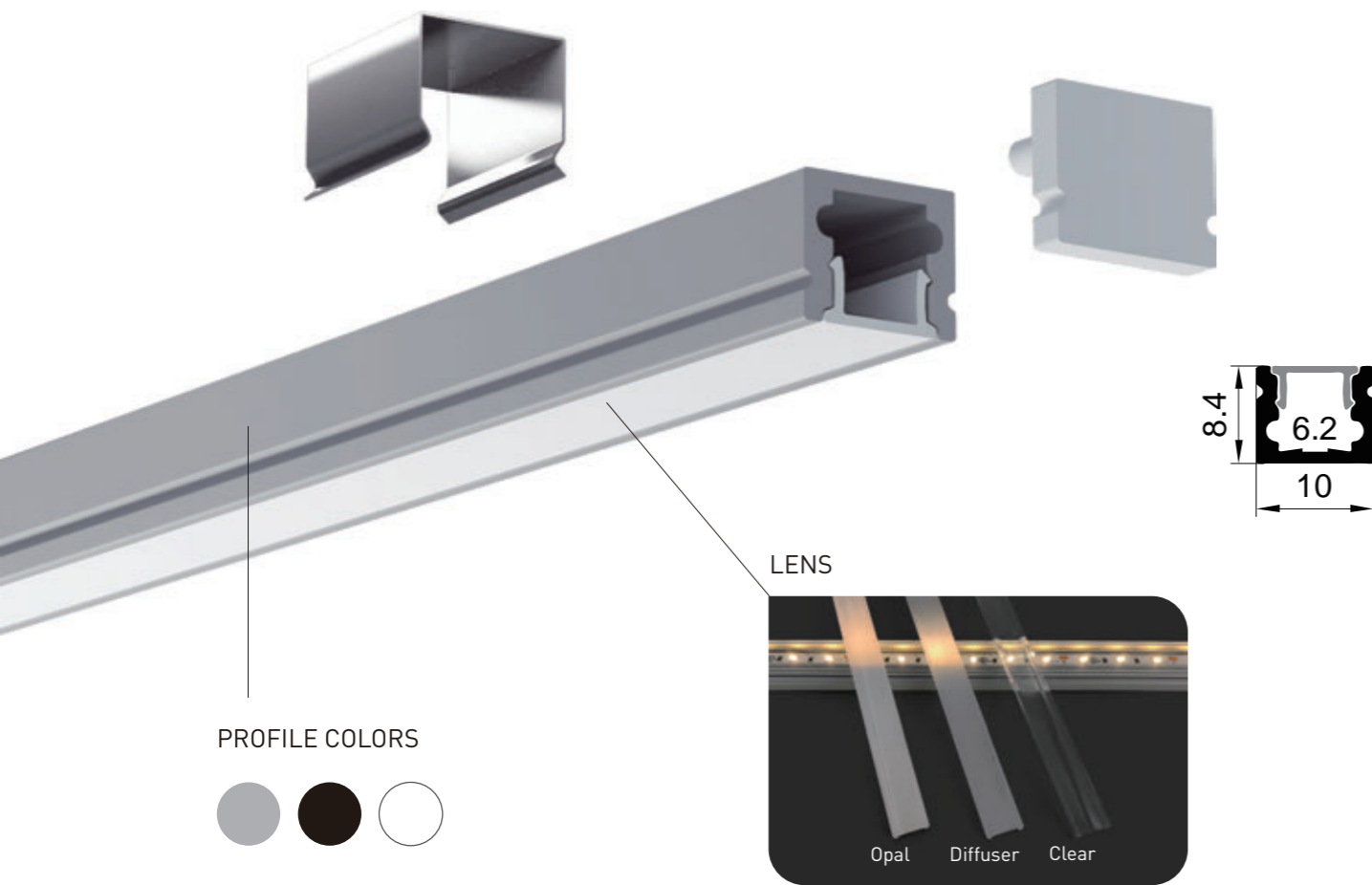
Part Code	Led Qty	Input Vol.	Power	CRI	Light Source Lumen	Diffuser Lens Lumen	Cutttable length	Max Run	Pcb Width
MN-2835A-120	120pcs/m	12/24VDC	9.6 W/m	90+	956 lm/m	373 lm/m	12V=25mm 24V=50mm	12V=1.5m 24V=3m	4 mm
				95+	793 lm/m	309 lm/m			
MN-2110-238	238pcs/m	24VDC	12.24 W/m	90+	1126 lm/m	439 lm/m	29.4mm	2m	4 mm
				95+	935 lm/m	364 lm/m			
MN-5630A-60	60pcs/m	24VDC	28.8 W/m	90+	1900 lm/m	741 lm/m	100mm	2m	6 mm
				95+	1577 lm/m	615 lm/m			

Remark: The tested data based on silver finish in 4000K, CRI 90+ light source.



MINI SERIES

► SL100806



Installation: Surface Mounted
 Length Available: 1-3m
 Profile Color: Silver, Black Anodized, White Powder Coating
 Lens: Opal, Diffuser, Clear
 Input Cable: Endcaps, Profile Bottom, Profile Sides
 Quick Female/Male Connectors Input cable & Junction Box available

MINI SERIES

► SL100806

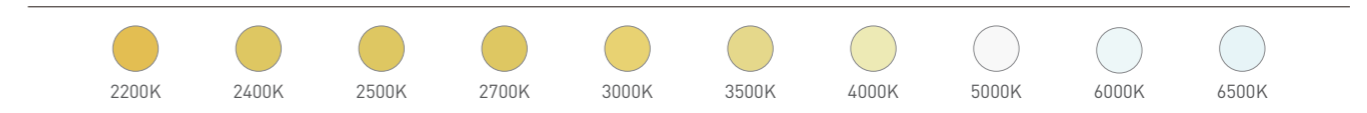
ORDERING CODE

Luminaire	Finish	Lens	Vol.	Power	CRI	CCT	Input Cable	Connector	Wiring
SL100806	W White	D Diffuser	12 12VDC	4.8W/m	90	22-2200K , 24-2400K , 25-2500K 27-2700K , 30-3000K , 35-3500K 40-4000K , 50-5000K , 65-6500K	01 - Black&Red 22AWG	A - AMP male/female	B - Through profile back
	B Black	O Opal	24 24VDC	9.6W/m	95				
	S Silver	C Clear		12.24W/m	95+	22-2200K , 25-2500K , 27-2700K 30-3000K , 35-3500K , 40-4000K 50-5000K , 65-6500K	02 - Black&White 22AWG	M - Molex male/female	E - Through Endcaps
				28.8W/m		TW Tunable White - check your executive sales	03 - White PU protected 2 pin	D - DC male/female	S - Through profile side
						D2W Dim To Warm - check your executive sales	04 - 3Pin cable for Tunable white		

RECOMMENDED LIGHT SOURCE

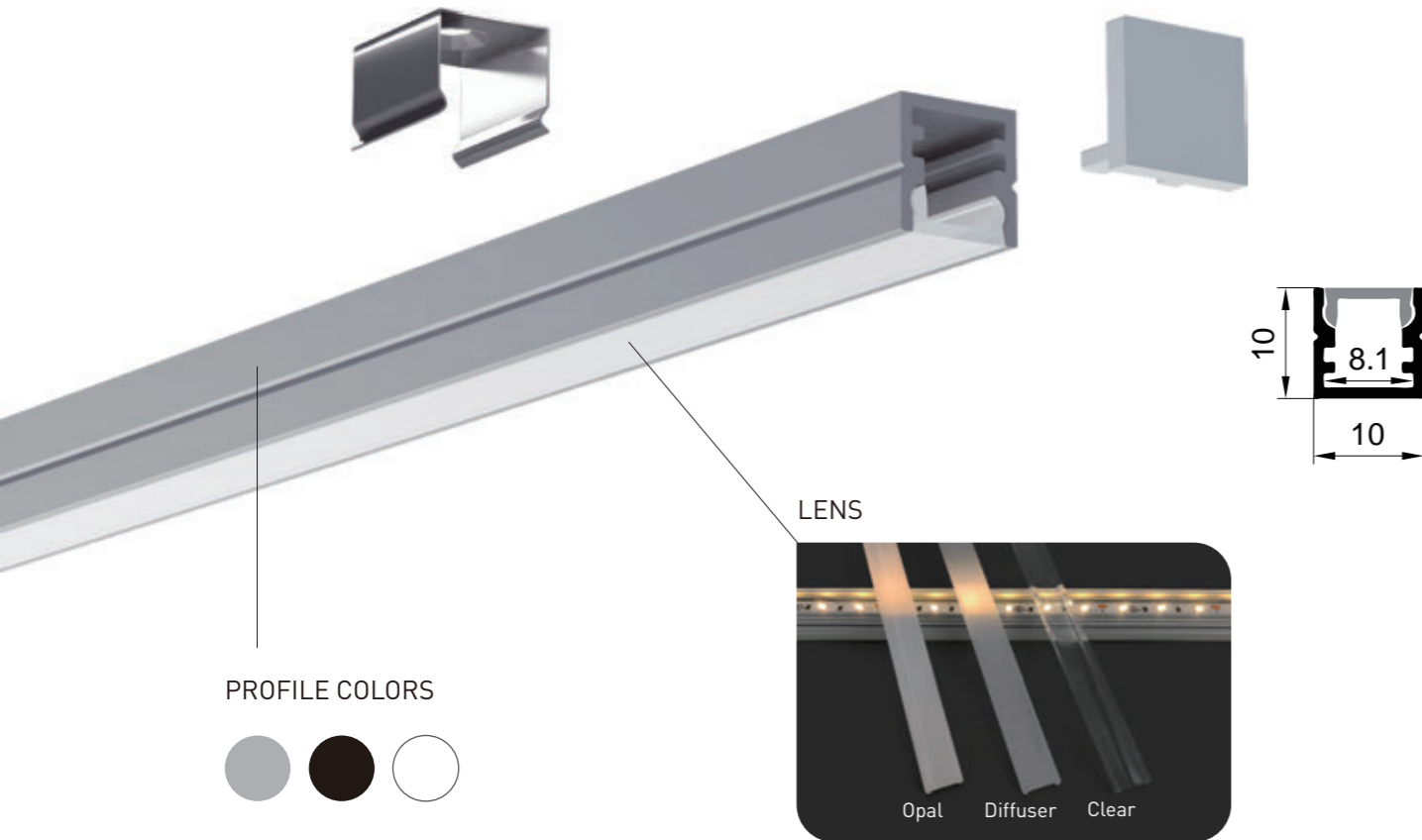
Part Code	Led Qty	Input Vol.	Power	CRI	Light Source Lumen	Diffuser Lens Lumen	Cutttable length	Max Run	Pcb Width
MN-2835A-120	120pcs/m	12/24VDC	9.6 W/m	90+	956 lm/m	373 lm/m	12V=25mm 24V=50mm	12V=1.5m 24V=3m	4 mm
				95+	793 lm/m	309 lm/m			
MN-2110-238	238pcs/m	24VDC	12.24 W/m	90+	1126 lm/m	439 lm/m	29.4mm	2m	4 mm
				95+	935 lm/m	364 lm/m			
MN-5630A-60	60pcs/m	24VDC	28.8 W/m	90+	1900 lm/m	741 lm/m	100mm	2m	6 mm
				95+	1577 lm/m	615 lm/m			

Remark: The tested data based on silver finish in 4000K, CRI 90+ light source.



MINI SERIES

► SL1010K08



Installation: Surface Mounted
 Length Available: 1-3m
 Profile Color: Silver, Black Anodized, White Powder Coating
 Lens: Opal, Diffuser, Clear
 Input Cable: Endcaps, Profile Bottom, Profile Sides
 Quick Female/Male Connectors Input cable & Junction Box available

MINI SERIES

► SL1010K08

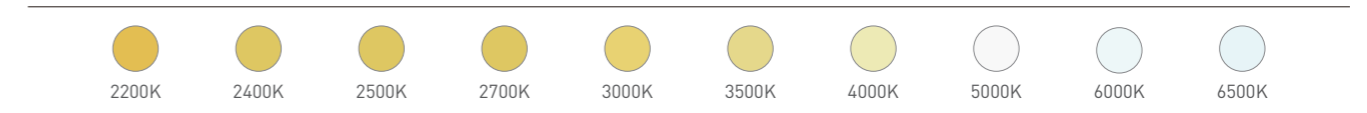
ORDERING CODE

Luminaire	Finish	Lens	Vol.	Power	CRI	CCT	Input Cable	Connector	Wiring
SL1010K08	W White	D Diffuser	12 12VDC	4.8W/m	90	22-2200K , 24-2400K , 25-2500K 27-2700K , 30-3000K , 35-3500K 40-4000K , 50-5000K , 65-6500K	01 - Black&Red 22AWG	A - AMP male/female	B - Through profile back
	B Black	O Opal	24 24VDC	9.6W/m	90+				
	S Silver	C Clear		12.24W/m	95	22-2200K , 25-2500K , 27-2700K 30-3000K , 35-3500K , 40-4000K 50-5000K , 65-6500K	02 - Black&White 22AWG	M - Molex male/female	E - Through Endcaps
				28.8W/m	95+				
					TW	Tunable White - check your executive sales	03 - White PU protected 2 pin	D - DC male/female	S - Through profile side
					D2W	Dim To Warm - check your executive sales	04 - 3Pin cable for Tunable white		

RECOMMENDED LIGHT SOURCE

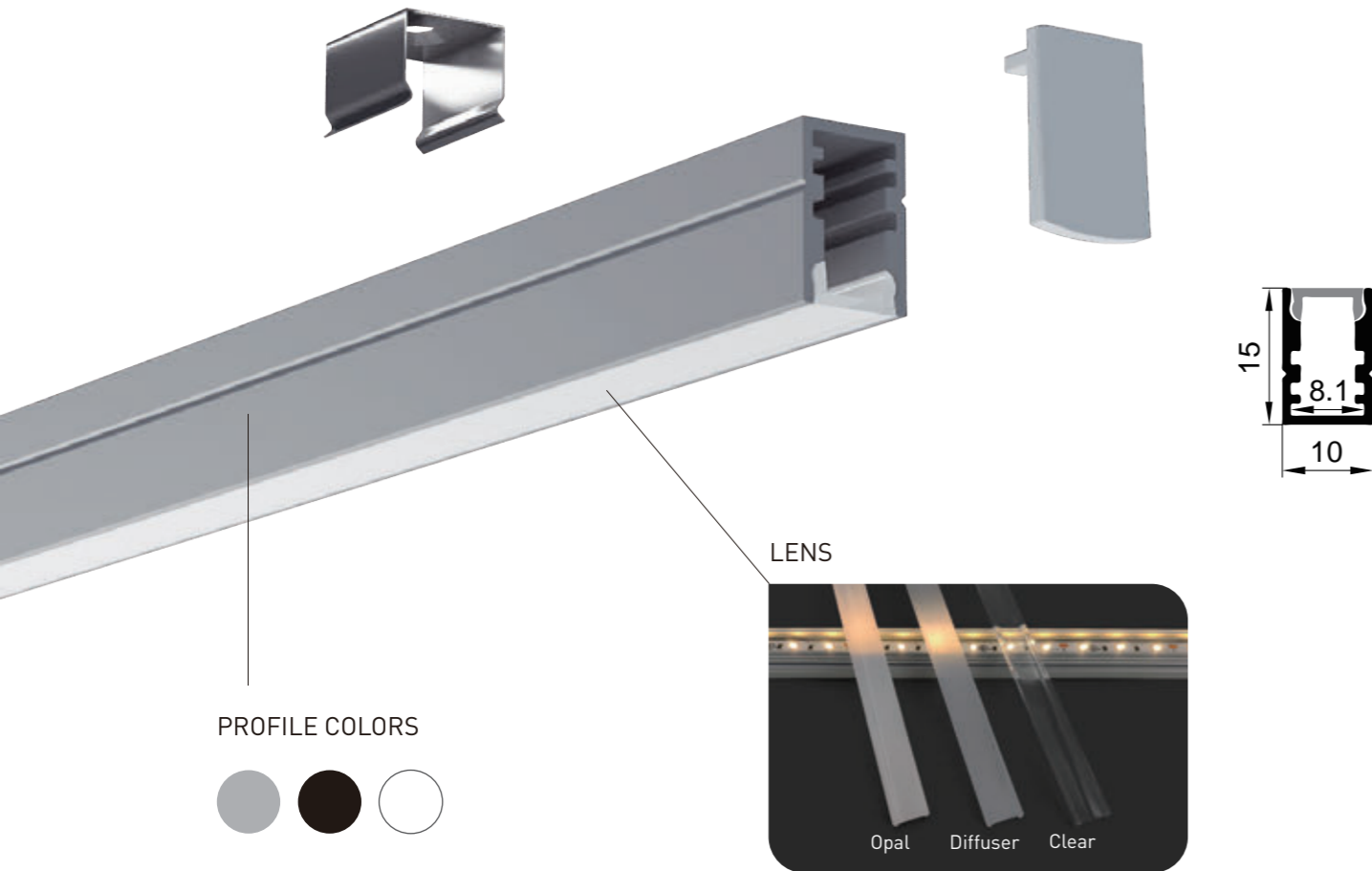
Part Code	Led Qty	Input Vol.	Power	CRI	Light Source Lumen	Diffuser Lens Lumen	Cutttable length	Max Run	Pcb Width
MN-2835A-120	120pcs/m	12/24VDC	9.6 W/m	90+	956 lm/m	373 lm/m	12V=25mm 24V=50mm	12V=1.5m 24V=3m	4 mm
				95+	793 lm/m	309 lm/m			
MN-2110-238	238pcs/m	24VDC	12.24 W/m	90+	1126 lm/m	439 lm/m	29.4mm	2m	4 mm
				95+	935 lm/m	364 lm/m			
MN-5630A-60	60pcs/m	24VDC	28.8 W/m	90+	1900 lm/m	741 lm/m	100mm	2m	6 mm
				95+	1577 lm/m	615 lm/m			

Remark: The tested data based on silver finish in 4000K, CRI 90+ light source.



MINI SERIES

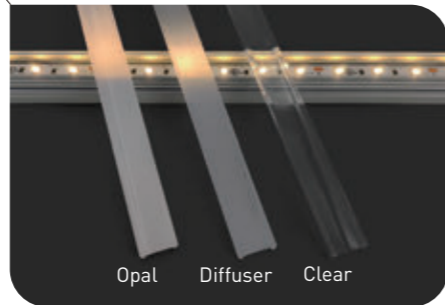
► SL1015K08



PROFILE COLORS



LENS



Installation: Surface Mounted
 Length Available: 1-3m
 Profile Color: Silver, Black Anodized, White Powder Coating
 Lens: Opal, Diffuser, Clear
 Input Cable: Endcaps, Profile Bottom, Profile Sides
 Quick Female/Male Connectors Input cable & Junction Box available

MINI SERIES

► SL1015K08

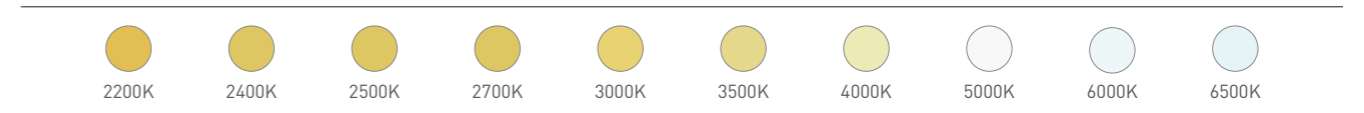
ORDERING CODE

Luminaire	Finish	Lens	Vol.	Power	CRI	CCT	Input Cable	Connector	Wiring
SL1015K08	W White	D Diffuser	12 12VDC	4.8W/m	90	22-2200K , 24-2400K , 25-2500K 27-2700K , 30-3000K , 35-3500K 40-4000K , 50-5000K , 65-6500K	01 - Black&Red 22AWG	A - AMP male/female	B - Through profile back
	B Black	O Opal	24 24VDC	9.6W/m	95				
	S Silver	C Clear		12.24W/m	95+	22-2200K , 25-2500K , 27-2700K 30-3000K , 35-3500K , 40-4000K 50-5000K , 65-6500K	02 - Black&White 22AWG	M - Molex male/female	E - Through Endcaps
				28.8W/m		TW Tunable White - check your executive sales	03 - White PU protected 2 pin	D - DC male/female	S - Through profile side
						D2W Dim To Warm - check your executive sales	04 - 3Pin cable for Tunable white		

RECOMMENDED LIGHT SOURCE

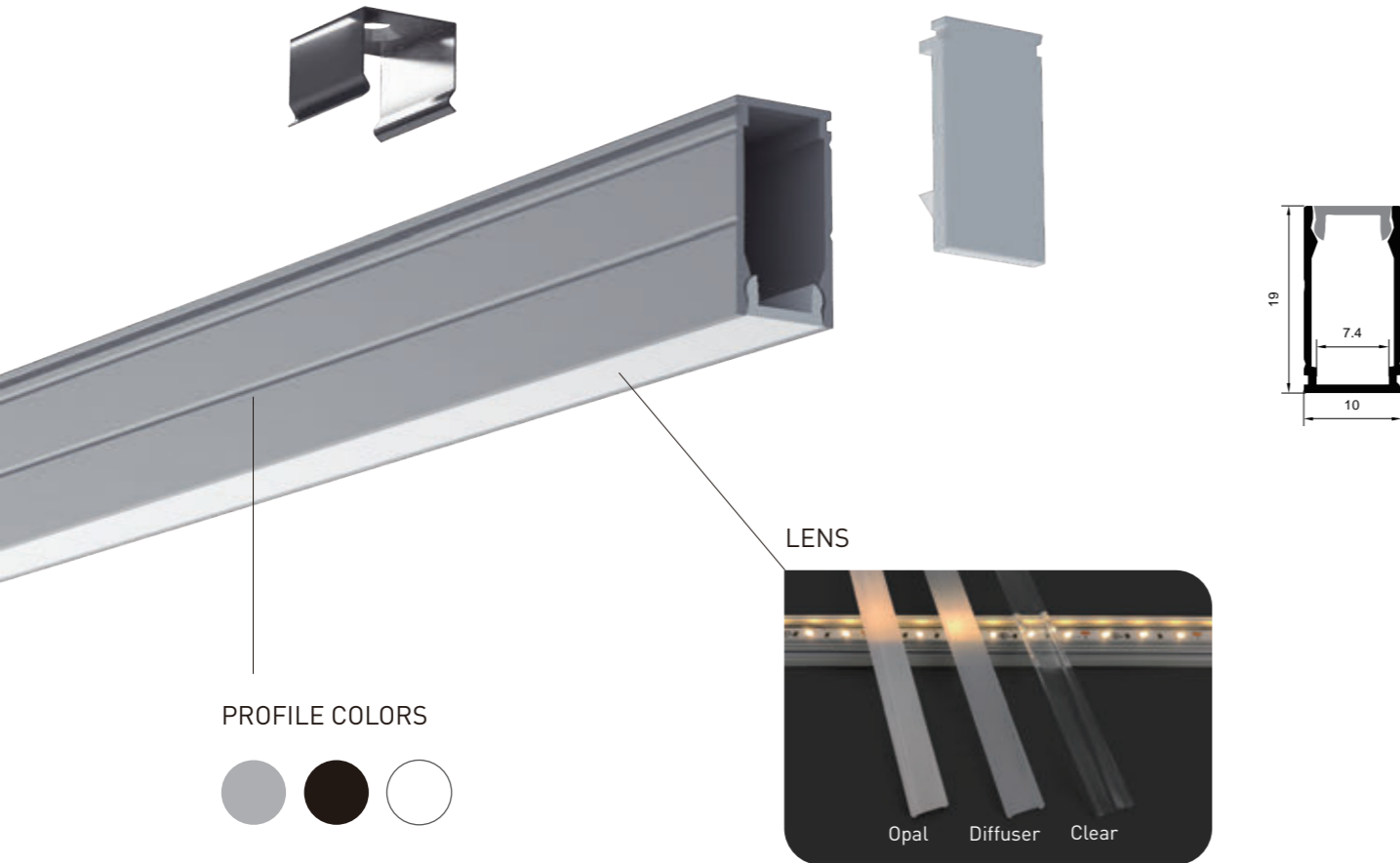
Part Code	Led Qty	Input Vol.	Power	CRI	Light Source Lumen	Diffuser Lens Lumen	Cutttable length	Max Run	Pcb Width
MN-2835A-120	120pcs/m	12/24VDC	9.6 W/m	90+	956 lm/m	373 lm/m	12V=25mm 24V=50mm	12V=1.5m 24V=3m	4 mm
				95+	793 lm/m	309 lm/m			
MN-2110-238	238pcs/m	24VDC	12.24 W/m	90+	1126 lm/m	439 lm/m	29.4mm	2m	4 mm
				95+	935 lm/m	364 lm/m			
MN-5630A-60	60pcs/m	24VDC	28.8 W/m	90+	1900 lm/m	741 lm/m	100mm	2m	6 mm
				95+	1577 lm/m	615 lm/m			

Remark: The tested data based on silver finish in 4000K, CRI 90+ light source.



MINI SERIES

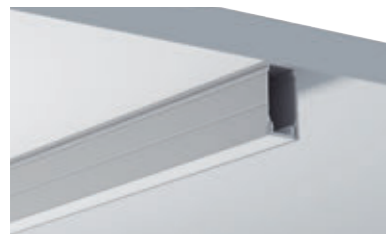
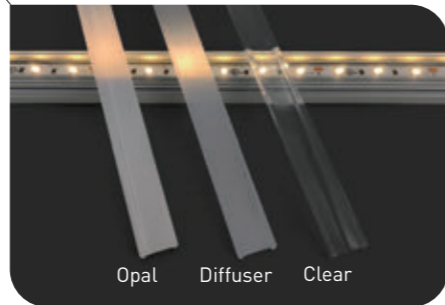
► SL1019K07



PROFILE COLORS



LENS



Installation: Surface Mounted
 Length Available: 1-3m
 Profile Color: Silver, Black Anodized, White Powder Coating
 Lens: Opal, Diffuser, Clear
 Input Cable: Endcaps, Profile Bottom, Profile Sides
 Quick Female/Male Connectors Input cable & Junction Box available

MINI SERIES

► SL1019K07

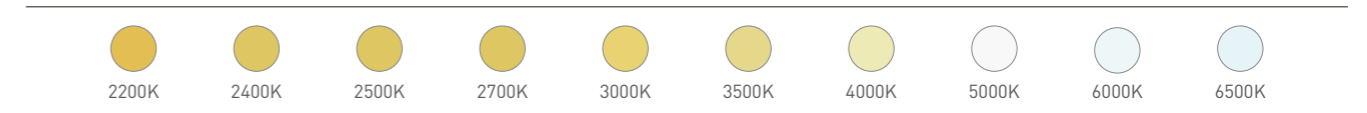
ORDERING CODE

Luminaire	Finish	Lens	Vol.	Power	CRI	CCT	Input Cable	Connector	Wiring
SL1019K07	W White	D Diffuser	12 12VDC	4.8W/m	90	22-2200K , 24-2400K , 25-2500K 27-2700K , 30-3000K , 35-3500K 40-4000K , 50-5000K , 65-6500K	01 - Black&Red 22AWG 02 - Black&White 22AWG 03 - White PU protected 2 pin 04 - 3Pin cable for Tunable white	A - AMP male/female M - Molex male/female D - DC male/female	B - Through profile back E - Through Endcaps S - Through profile side
	B Black	O Opal	24 24VDC	9.6W/m	95				
	S Silver	C Clear		12.24W/m	95+	TW Tunable White - check your executive sales			
				28.8W/m		D2W Dim To Warm - check your executive sales			

RECOMMENDED LIGHT SOURCE

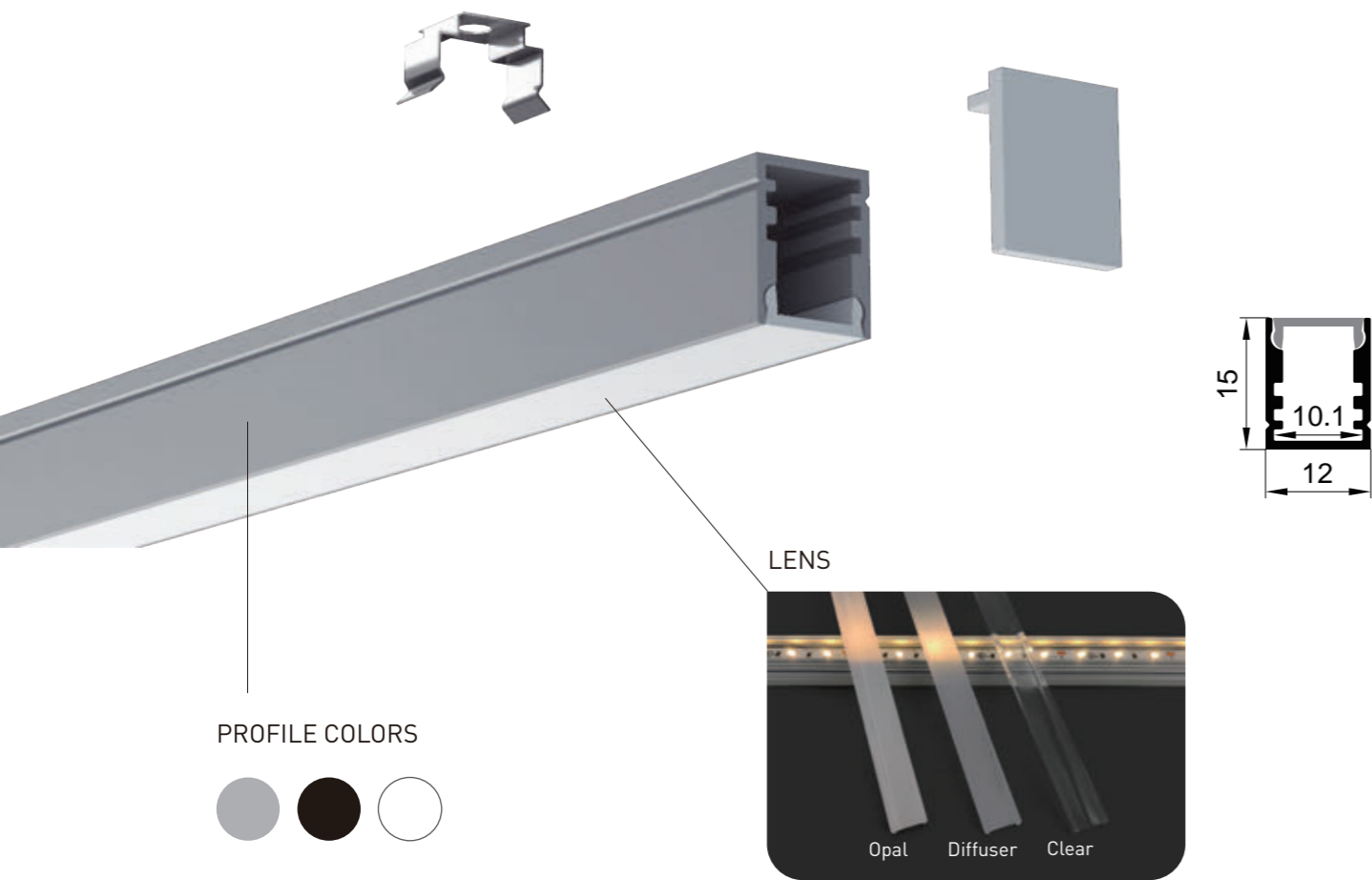
Part Code	Led Qty	Input Vol.	Power	CRI	Light Source Lumen	Diffuser Lens Lumen	Cutttable length	Max Run	Pcb Width
MN-2835A-60	60pcs/m	12/24VDC	4.8 W/m	90+	478 lm/m	186 lm/m	12V=50mm 24V=100mm	12V=3m 24V=5m	5 mm
				95+	397 lm/m	155 lm/m			
MN-2835A-120	120pcs/m	12/24VDC	9.6 W/m	90+	956 lm/m	373 lm/m	12V=25mm 24V=50mm	12V=1.5m 24V=3m	4 mm
				95+	793 lm/m	309 lm/m			
MN-2110-238	238pcs/m	24VDC	12.24 W/m	90+	1126 lm/m	439 lm/m	29.4mm	2m	4 mm
				95+	935 lm/m	364 lm/m			
MN-5630A-60	60pcs/m	24VDC	28.8 W/m	90+	1900 lm/m	741 lm/m	100mm	2m	6 mm
				95+	1577 lm/m	615 lm/m			

Remark: The tested data based on silver finish in 4000K, CRI 90+ light source.



MINI SERIES

► SL1215K10



Installation: Surface Mounted
 Length Available: 1-3m
 Profile Color: Silver, Black Anodized, White Powder Coating
 Lens: Opal, Diffuser, Clear
 Input Cable: Endcaps, Profile Bottom, Profile Sides
 Quick Female/Male Connectors Input cable & Junction Box available

MINI SERIES

► SL1215K10

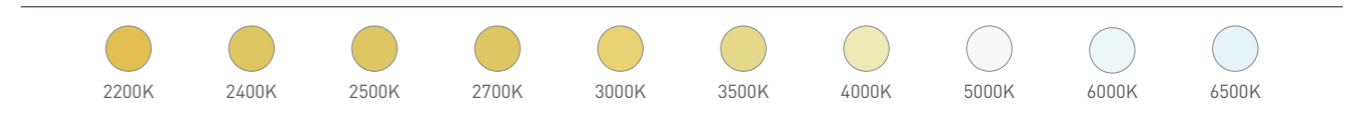
ORDERING CODE

Luminaire	Finish	Lens	Vol.	Power	CRI	CCT	Input Cable	Connector	Wiring
SL1215K10	W White	D Diffuser	12 12VDC	4.8W/m	90	22-2200K , 24-2400K , 25-2500K 27-2700K , 30-3000K , 35-3500K 40-4000K , 50-5000K , 65-6500K	01 - Black&Red 22AWG 02 - Black&White 22AWG 03 - White PU protected 2 pin 04 - 3Pin cable for Tunable white	A - AMP male/female M - Molex male/female D - DC male/female	B - Through profile back E - Through Endcaps S - Through profile side
	B Black	O Opal	24 24VDC	9.6W/m	95				
	S Silver	C Clear		12.24W/m	95+	22-2200K , 25-2500K , 27-2700K 30-3000K , 35-3500K , 40-4000K 50-5000K , 65-6500K			
				28.8W/m	TW	Tunable White - check your executive sales			
					D2W	Dim To Warm - check your executive sales			

RECOMMENDED LIGHT SOURCE

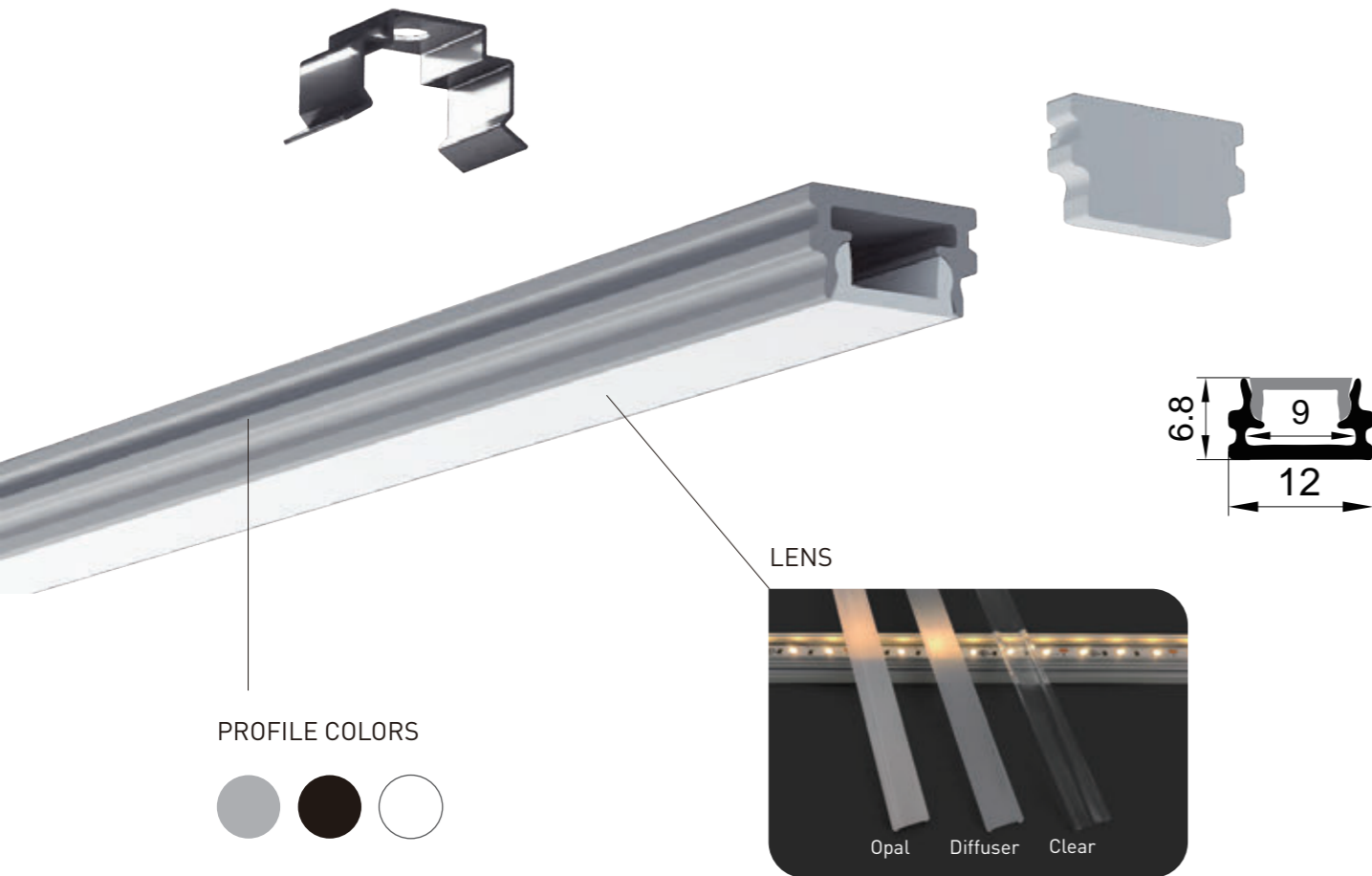
Part Code	Led Qty	Input Vol.	Power	CRI	Light Source Lumen	Diffuser Lens Lumen	Cutttable length	Max Run	Pcb Width
MN-2835A-120	120pcs/m	12/24VDC	9.6 W/m	90+	956 lm/m	373 lm/m	12V=25mm 24V=50mm	12V=1.5m 24V=3m	4 mm
				95+	793 lm/m	309 lm/m			
MN-2110-238	238pcs/m	24VDC	12.24 W/m	90+	1126 lm/m	439 lm/m	29.4mm	2m	4 mm
				95+	935 lm/m	364 lm/m			
MN-5630A-60	60pcs/m	24VDC	28.8 W/m	90+	1900 lm/m	741 lm/m	100mm	2m	6 mm
				95+	1577 lm/m	615 lm/m			

Remark: The tested data based on silver finish in 4000K, CRI 90+ light source.



MINI SERIES

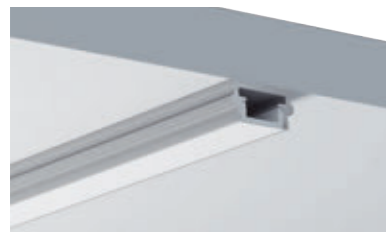
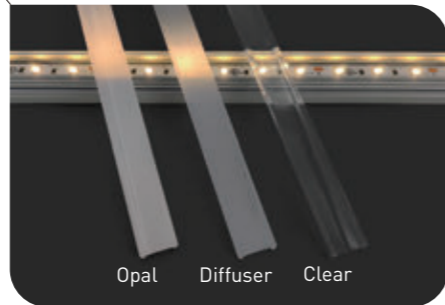
► SL110709



PROFILE COLORS



LENS



Installation: Surface Mounted
 Length Available: 1-3m
 Profile Color: Silver, Black Anodized, White Powder Coating
 Lens: Opal, Diffuser, Clear
 Input Cable: Endcaps, Profile Bottom, Profile Sides
 Quick Female/Male Connectors Input cable & Junction Box available

MINI SERIES

► SL110709

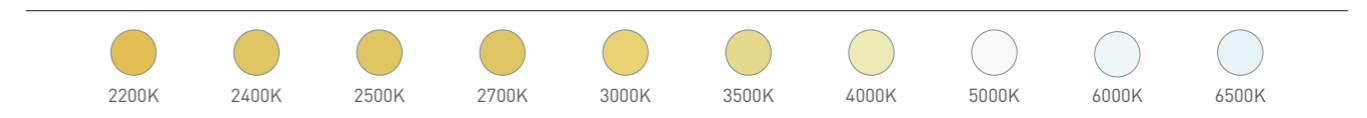
ORDERING CODE

Luminaire	Finish	Lens	Vol.	Power	CRI	CCT	Input Cable	Connector	Wiring
SL110709	W White	D Diffuser	12 12VDC	4.8W/m	90	22-2200K , 24-2400K , 25-2500K 27-2700K , 30-3000K , 35-3500K 40-4000K , 50-5000K , 65-6500K	01 - Black&Red 22AWG	A - AMP male/female	B - Through profile back
	B Black	O Opal	24 24VDC	9.6W/m	95				
	S Silver	C Clear		12.24W/m	95+	22-2200K , 25-2500K , 27-2700K 30-3000K , 35-3500K , 40-4000K 50-5000K , 65-6500K	02 - Black&White 22AWG	M - Molex male/female	E - Through Endcaps
				28.8W/m		TW	Tunable White - check your executive sales	03 - White PU protected 2 pin	D - DC male/female
						D2W	Dim To Warm - check your executive sales	04 - 3Pin cable for Tunable white	

RECOMMENDED LIGHT SOURCE

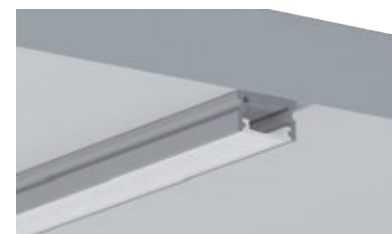
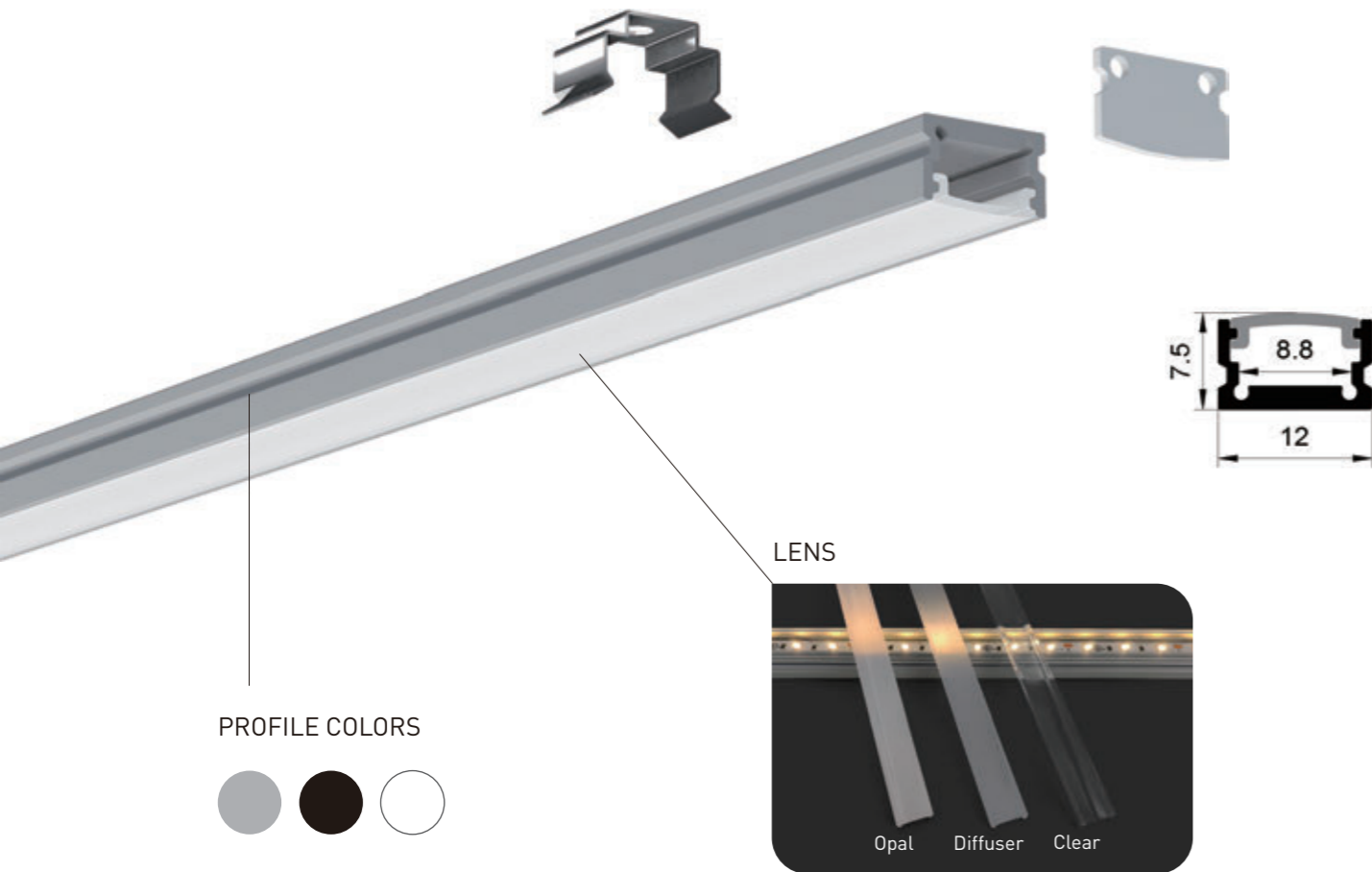
Part Code	Led Qty	Input Vol.	Power	CRI	Light Source Lumen	Diffuser Lens Lumen	Cutttable length	Max Run	Pcb Width
MN-2835A-120	120pcs/m	12/24VDC	9.6 W/m	90+	956 lm/m	373 lm/m	12V=25mm 24V=50mm	12V=1.5m 24V=3m	4 mm
				95+	793 lm/m	309 lm/m			
MN-2110-238	238pcs/m	24VDC	12.24 W/m	90+	1126 lm/m	439 lm/m	29.4mm	2m	4 mm
				95+	935 lm/m	364 lm/m			

Remark: The tested data based on silver finish in 4000K, CRI 90+ light source.



MINI SERIES

► SL130708



Installation: Surface Mounted
 Length Available: 1-3m
 Profile Color: Silver, Black Anodized, White Powder Coating
 Lens: Opal, Diffuser, Clear
 Input Cable: Endcaps, Profile Bottom, Profile Sides
 Quick Female/Male Connectors Input cable & Junction Box available

MINI SERIES

► SL130708

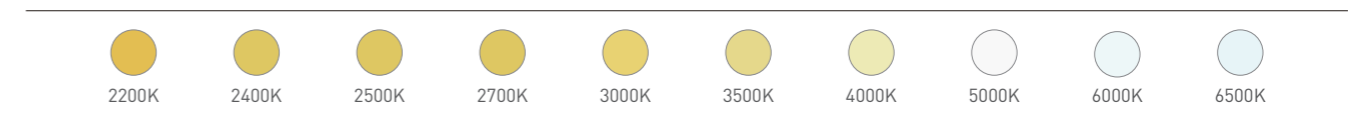
ORDERING CODE

Luminaire	Finish	Lens	Vol.	Power	CRI	CCT	Input Cable	Connector	Wiring
SL130708	W White	D Diffuser	12 12VDC	4.8W/m	90	22-2200K , 24-2400K , 25-2500K 27-2700K , 30-3000K , 35-3500K 40-4000K , 50-5000K , 65-6500K	01 - Black&Red 22AWG	A - AMP male/female	B - Through profile back
	B Black	O Opal	24 24VDC	9.6W/m	95				
	S Silver	C Clear		12.24W/m	95+	22-2200K , 25-2500K , 27-2700K 30-3000K , 35-3500K , 40-4000K 50-5000K , 65-6500K	02 - Black&White 22AWG	M - Molex male/female	E - Through Endcaps
				28.8W/m		TW	Tunable White - check your executive sales	03 - White PU protected 2 pin	D - DC male/female
						D2W	Dim To Warm - check your executive sales	04 - 3Pin cable for Tunable white	

RECOMMENDED LIGHT SOURCE

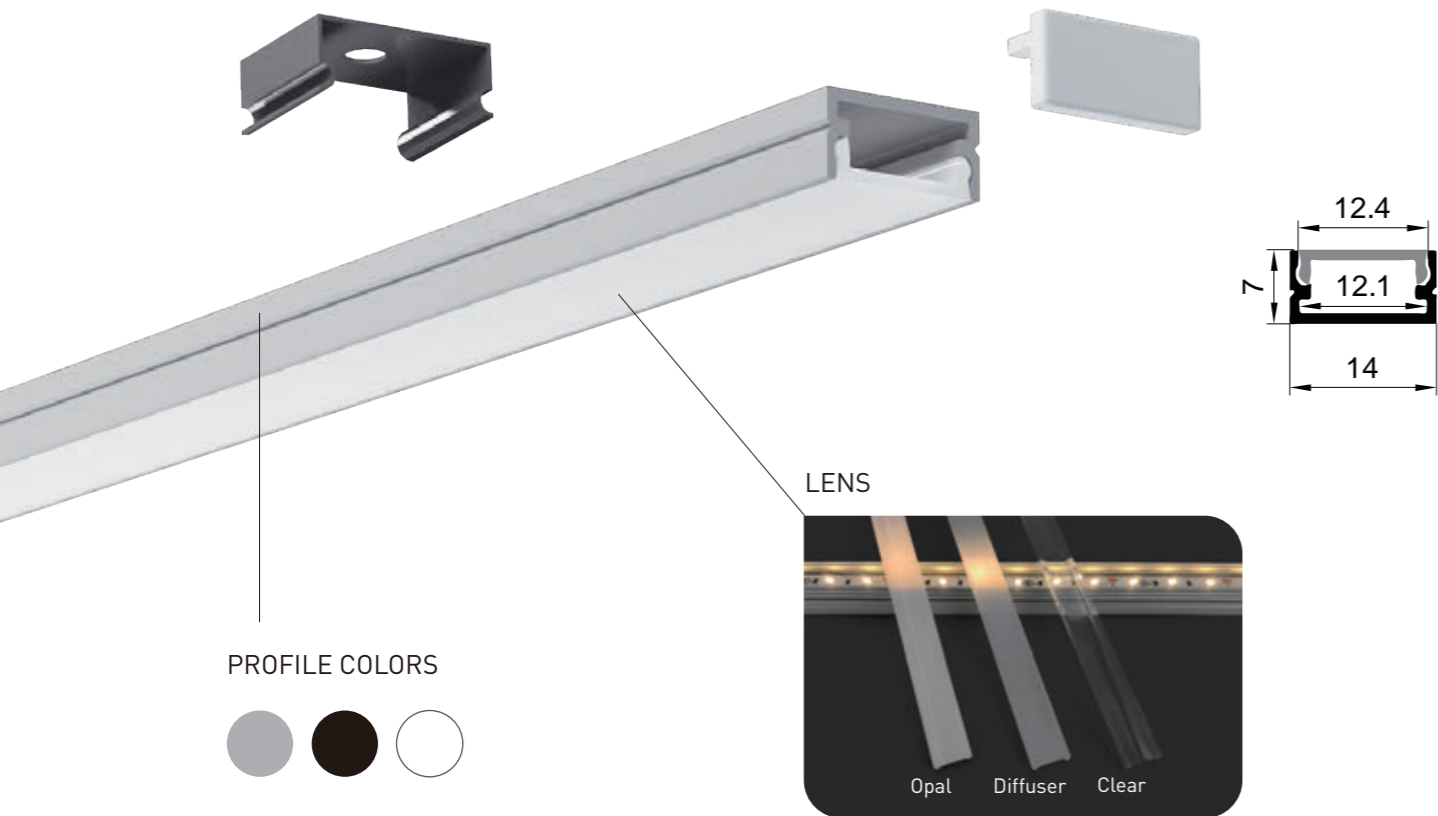
Part Code	Led Qty	Input Vol.	Power	CRI	Light Source Lumen	Diffuser Lens Lumen	Cutttable length	Max Run	Pcb Width
MN-2835A-120	120pcs/m	12/24VDC	9.6 W/m	90+	956 lm/m	373 lm/m	12V=25mm 24V=50mm	12V=1.5m 24V=3m	4 mm
				95+	793 lm/m	309 lm/m			
MN-2110-238	238pcs/m	24VDC	12.24 W/m	90+	1126 lm/m	439 lm/m	29.4mm	2m	4 mm
				95+	935 lm/m	364 lm/m			

Remark: The tested data based on silver finish in 4000K, CRI 90+ light source.



MINI SERIES

► SL1407K12



Installation: Surface Mounted
 Length Available: 1-3m
 Profile Color: Silver, Black Anodized, White Powder Coating
 Lens: Opal, Diffuser, Clear
 Input Cable: Endcaps, Profile Bottom, Profile Sides
 Quick Female/Male Connectors Input cable & Junction Box available

MINI SERIES

► SL1407K12

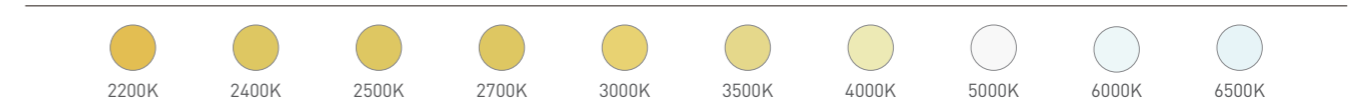
ORDERING CODE

Luminaire	Finish	Lens	Vol.	Power	CRI	CCT	Input Cable	Connector	Wiring
SL1407K12	W White	D Diffuser	24 24VDC	12.96W/m 17.28W/m	90 90+	22-2200K , 24-2400K 25-2500K , 27-2700K 30-3000K , 35-3500K 40-4000K , 50-5000K 65-6500K	01 - Black&Red 22AWG 02 - Black&White 22AWG 03 - White PU protected 2 pin 04 - 3Pin cable for Tunable white	A - AMP male/female M - Molex male/female D - DC male/female	B - Through profile back E - Through Endcaps S - Through profile side
	B Black	O Opal							
	S Silver	C Clear							
					TW	Tunable White - check your executive sales			
					D2W	Dim To Warm - check your executive sales			

RECOMMENDED LIGHT SOURCE

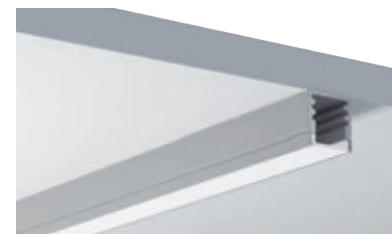
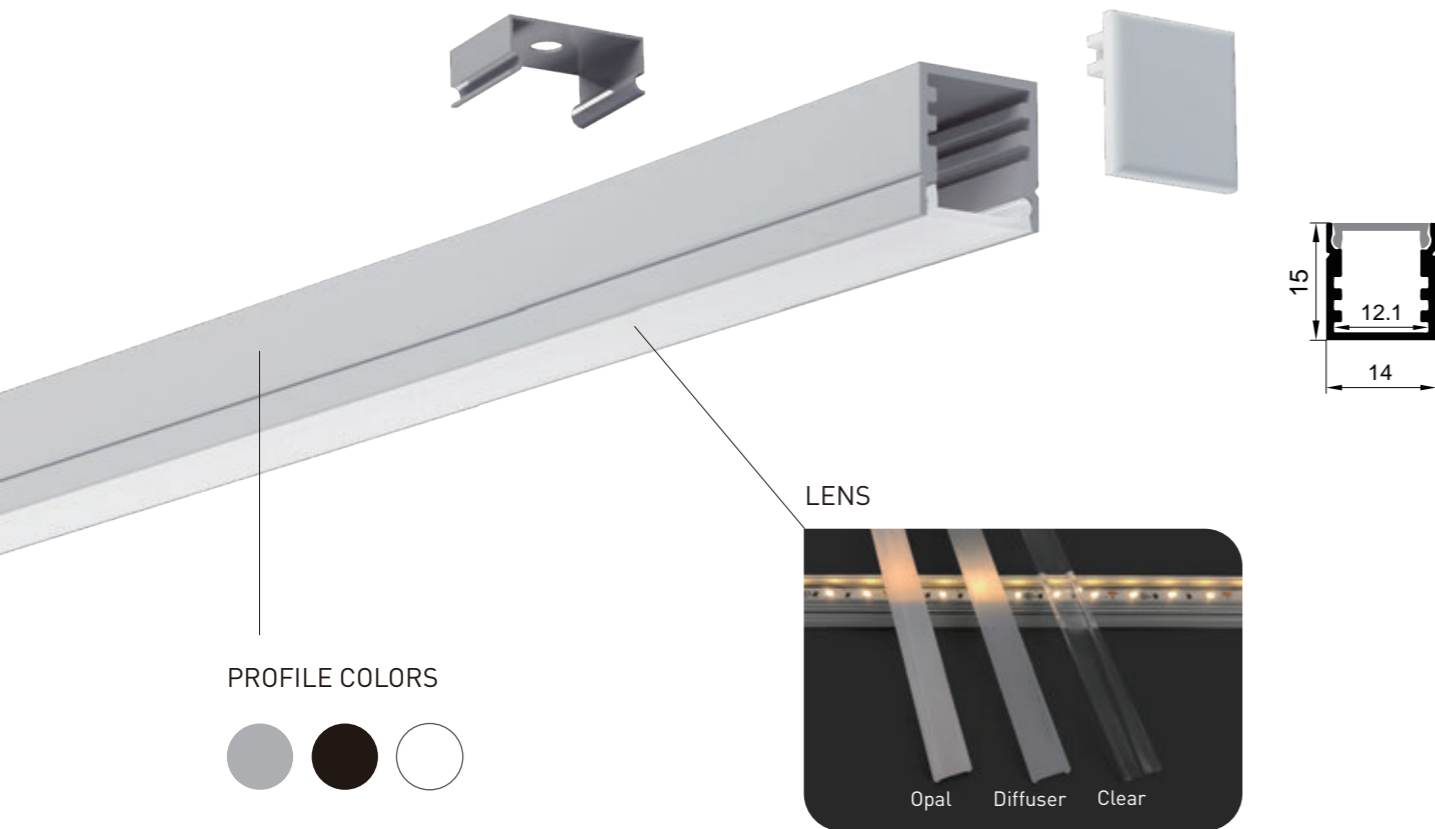
Part Code	Led Qty	Input Vol.	Power	CRI	Light Source Lumen	Diffuser Lens Lumen	Cutttable length	Max Run	Pcb Width
FN-2016-180	180pcs/m	24VDC	12.96W/m	90+	1000 lm/m	780 lm/m	33mm	3m	10mm
FN-2016-240	240pcs/m		17.28W/m	90+	1300 lm/m	1014 lm/m	25mm		

Remark: The tested data based on silver finish in 4000K, CRI 90+ light source.



MINI SERIES

► SL1415K12



Installation: Surface Mounted
 Length Available: 1-3m
 Profile Color: Silver, Black Anodized, White Powder Coating
 Lens: Opal, Diffuser, Clear
 Input Cable: Endcaps, Profile Bottom, Profile Sides
 Quick Female/Male Connectors Input cable & Junction Box available

MINI SERIES

► SL1415K12

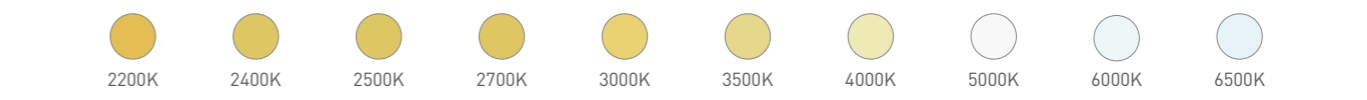
ORDERING CODE

Luminaire	Finish	Lens	Vol.	Power	CRI	CCT	Input Cable	Connector	Wiring
SL1415K12	W White	D Diffuser	12 12VDC	5.18W/m	90 90+	22-2200K, 24-2400K, 25-2500K 27-2700K, 30-3000K, 35-3500K 40-4000K, 50-5000K, 65-6500K	01 - Black&Red 22AWG 02 - Black&White 22AWG 03 - White PU protected 2 pin 04 - 3Pin cable for Tunable white	A - AMP male/female M - Molex male/female D - DC male/female	B - Through profile back E - Through Endcaps S - Through profile side
	B Black	O Opal	24 24VDC	11.52W/m					
	S Silver	C Clear	36 36VDC	14.40W/m					
			48 48VDC	21.60W/m 24.00W/m 28.80W/m					
					TW	Tunable White - check your executive sales			
					D2W	Dim To Warm - check your executive sales			

RECOMMENDED LIGHT SOURCE

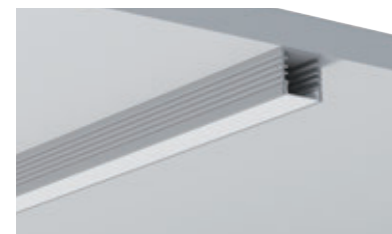
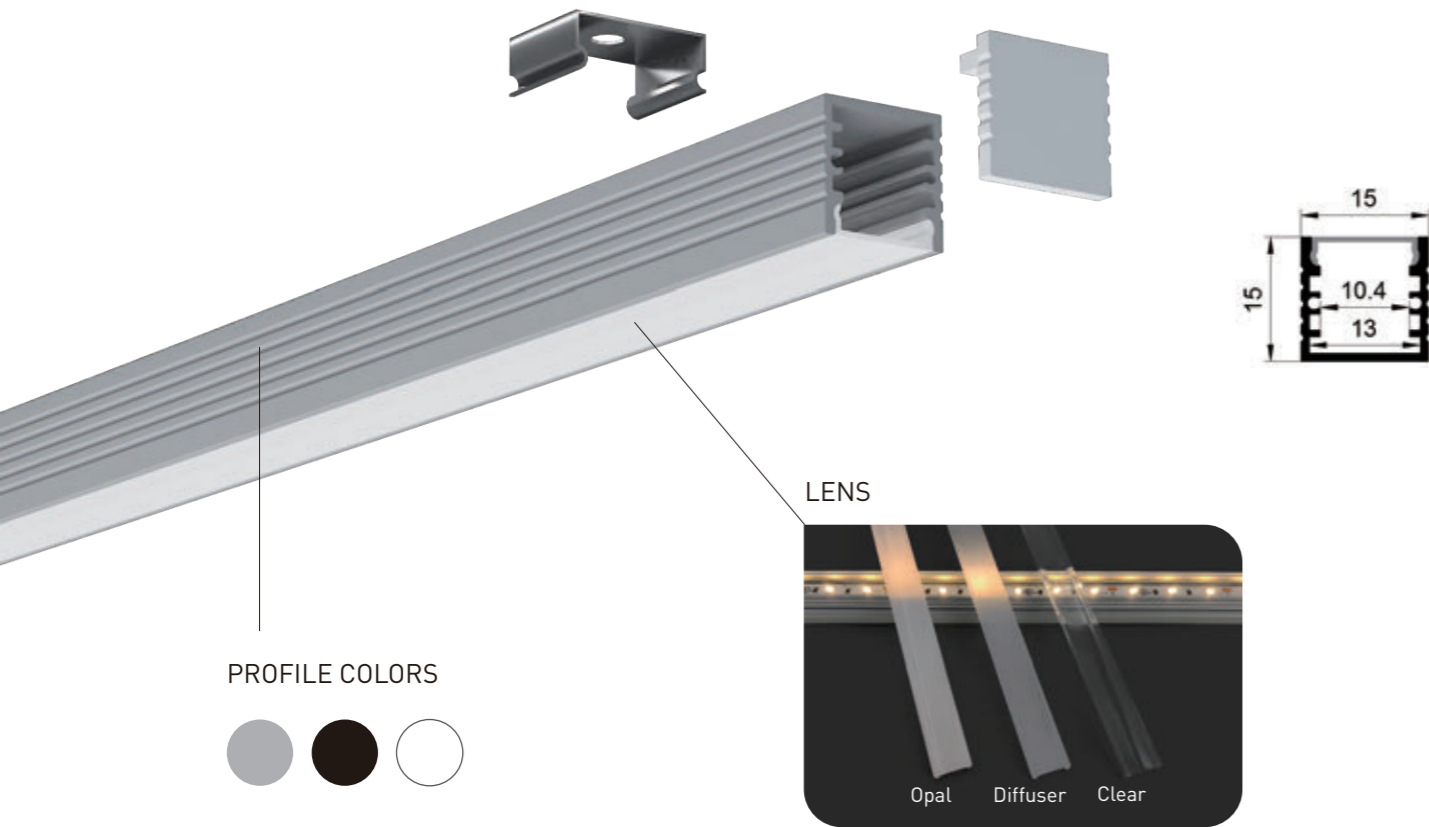
Performance	Part Code	Led Qty	Input Vol.	Power	CRI	Light Source Lumen	Diffuser Lens Lumen	Cuttable length	Max Run	Pcb Width
General	FN-2835T-120	120pcs/m	12/24VDC	14.40 W/m	90+	1512 lm/m	680 lm/m	12V=25mm 24V=50mm	12V=5m 24V=9m	10 mm
					95+	1282 lm/m	577 lm/m			
High Efficiency	FN-H2835T-128	128pcs/m	24VDC	11.52 W/m	90+	1613 lm/m	726 lm/m	24V=62.5mm	24V=6m	10 mm
	FN-H28350-160	160pcs/m	24VDC	24 W/m	90+	3480 lm/m	1739 lm/m			
	FN-H28350-192	192pcs/m	24VDC	28.8 W/m	90+	4176 lm/m	2086lm/m	41.7mm	2.5m	10 mm
Long Run	LN-H2835T-80	80pcs/m	36VDC	5.18W/m	90+	580 lm/m	261 lm/m	100mm	50m	10 mm
				95+	482 lm/m	217 lm/m				
	LN-H2835T-112	112pcs/m	48VDC	11.52 W/m	90+	1336 lm/m	601 lm/m	125mm	25m	10 mm
				95+	1106 lm/m	498 lm/m				
Short Cut	FN-F2835A-120	120pcs/m	12VDC	21.60 W/m	90+	1922 lm/m	865 lm/m	16.7mm	3.5m	10 mm
					95+	1595 lm/m	718 lm/m			

Remark: 1. The tested data based on silver finish in 4000K, CRI 90+ light source. 2. LN-H2835T-80 is good for long run, but it will show light spot.



MINI SERIES

► SL151510



Installation: Surface Mounted
 Length Available: 1-3m
 Profile Color: Silver, Black Anodized, White Powder Coating
 Lens: Opal, Diffuser, Clear
 Input Cable: Endcaps, Profile Bottom, Profile Sides
 Quick Female/Male Connectors Input cable & Junction Box available

MINI SERIES

► SL151510

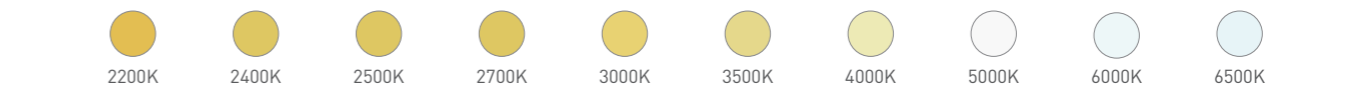
ORDERING CODE

Luminaire	Finish	Lens	Vol.	Power	CRI	CCT	Input Cable	Connector	Wiring
SL151510	W White	D Diffuser	12 12VDC	5.18W/m	90 90+	22-2200K, 24-2400K, 25-2500K 27-2700K, 30-3000K, 35-3500K 40-4000K, 50-5000K, 65-6500K	01 - Black&Red 22AWG 02 - Black&White 22AWG 03 - White PU protected 2 pin 04 - 3Pin cable for Tunable white	A - AMP male/female M - Molex male/female D - DC male/female	B - Through profile back E - Through Endcaps S - Through profile side
	B Black	O Opal	24 24VDC	11.52W/m					
	S Silver	C Clear	36 36VDC	14.40W/m					
			48 48VDC	21.60W/m 24.00W/m 28.80W/m					
					TW	Tunable White - check your executive sales			
					D2W	Dim To Warm - check your executive sales			

RECOMMENDED LIGHT SOURCE

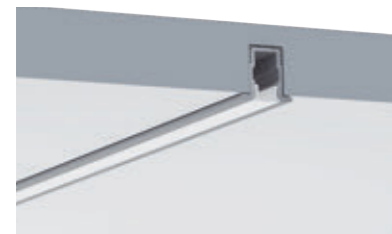
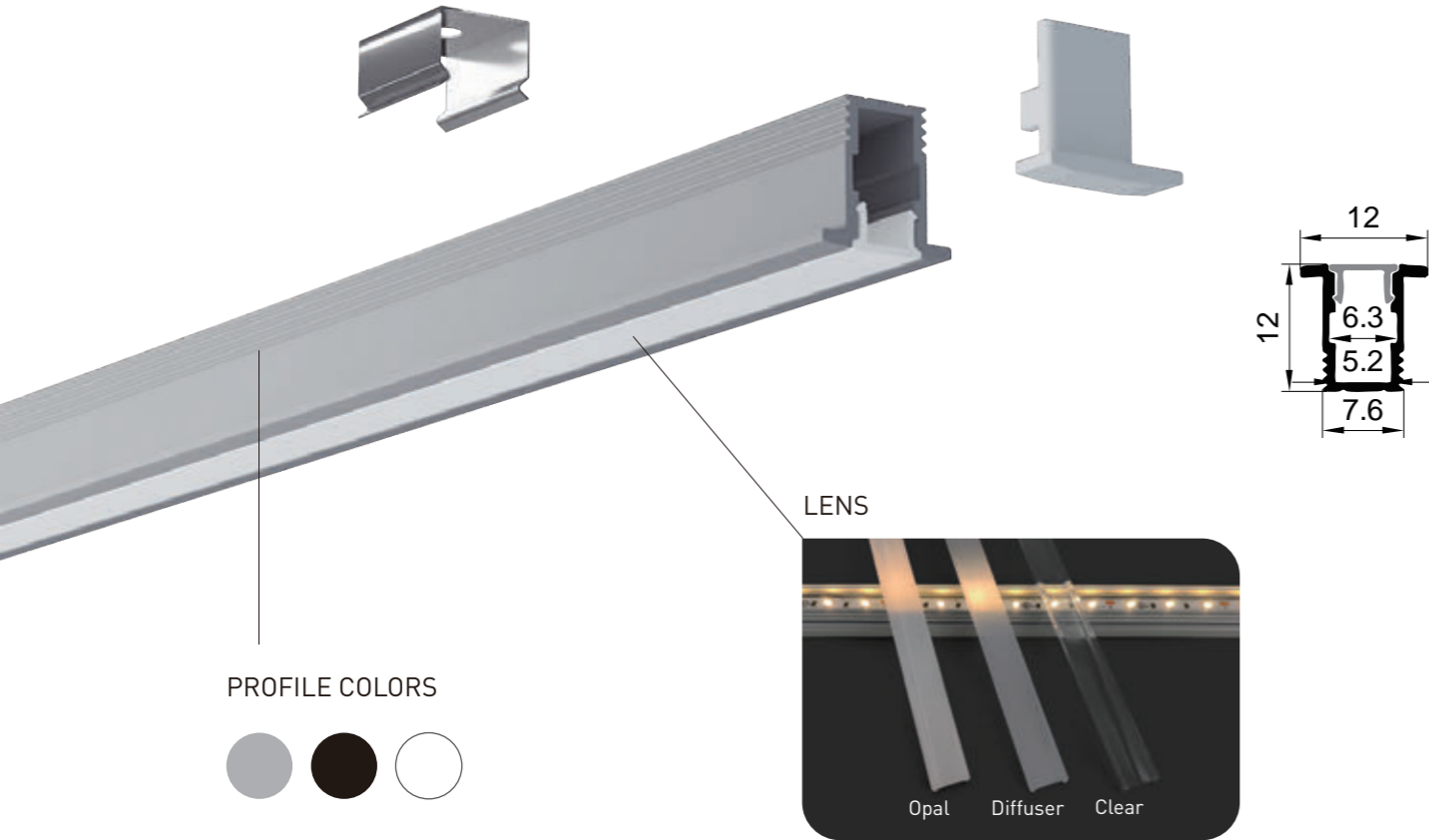
Performance	Part Code	Led Qty	Input Vol.	Power	CRI	Light Source Lumen	Diffuser Lens Lumen	Cutttable length	Max Run	Pcb Width
General	FN-2835T-120	120pcs/m	12/24VDC	14.40 W/m	90+	1512 lm/m	680 lm/m	12V=25mm 24V=50mm	12V=5m 24V=9m	10 mm
					95+	1282 lm/m	577 lm/m			
High Efficiency	FN-H2835T-128	128pcs/m	24VDC	11.52 W/m	90+	1613 lm/m	726 lm/m	24V=62.5mm	24V=6m	10 mm
	FN-H28350-160	160pcs/m	24VDC	24 W/m	90+	3480 lm/m	1739 lm/m			
	FN-H28350-192	192pcs/m	24VDC	28.8 W/m	90+	4176 lm/m	2086lm/m	41.7mm	2.5m	10 mm
Long Run	LN-H2835T-80	80pcs/m	36VDC	5.18W/m	90+	580 lm/m	261 lm/m	100mm	50m	10 mm
					95+	482 lm/m	217 lm/m			
	LN-H2835T-112	112pcs/m	48VDC	11.52 W/m	90+	1336 lm/m	601 lm/m	125mm	25m	10 mm
					95+	1106 lm/m	498 lm/m			
LN-H2835T-120	120pcs/m	24VDC	6.00 W/m	90+	588 lm/m	265 lm/m	50mm	21m	10 mm	
				95+	486 lm/m	219 lm/m				
Short Cut	FN-F2835A-120	120pcs/m	12VDC	21.60 W/m	90+	1922 lm/m	865 lm/m	16.7mm	3.5m	10 mm
					95+	1595 lm/m	718 lm/m			

Remark: 1. The tested data based on silver finish in 4000K, CRI 90+ light source. 2. LN-H2835T-80 is good for long run, but it will show light spot.



MINI SERIES

► SL081206



Installation: Trimed Recessed
 Length Available: 1-3m
 Profile Color: Silver, Black Anodized, White Powder Coating
 Lens: Opal, Diffuser, Clear
 Input Cable: Endcaps, Profile Bottom, Profile Sides
 Quick Female/Male Connectors Input cable & Junction Box available

MINI SERIES

► SL081206

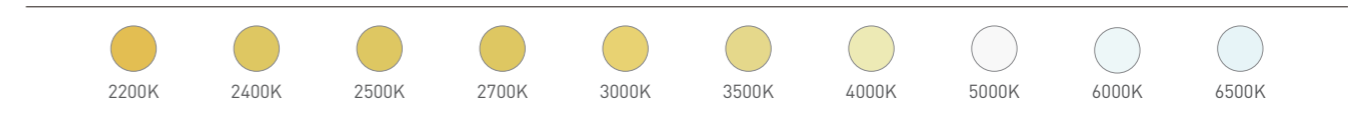
ORDERING CODE

Luminaire	Finish	Lens	Vol.	Power	CRI	CCT	Input Cable	Connector	Wiring
SL081206	W White	D Diffuser	12 12VDC	4.8W/m	90	22-2200K , 24-2400K , 25-2500K 27-2700K , 30-3000K , 35-3500K 40-4000K , 50-5000K , 65-6500K	01 - Black&Red 22AWG 02 - Black&White 22AWG 03 - White PU protected 2 pin 04 - 3Pin cable for Tunable white	A - AMP male/female M - Molex male/female D - DC male/female	B - Through profile back E - Through Endcaps S - Through profile side
	B Black	O Opal	24 24VDC	9.6W/m	95				
	S Silver	C Clear		12.24W/m	95+	22-2200K , 25-2500K , 27-2700K 30-3000K , 35-3500K , 40-4000K 50-5000K , 65-6500K			
				28.8W/m	TW	Tunable White - check your executive sales			
					D2W	Dim To Warm - check your executive sales			

RECOMMENDED LIGHT SOURCE

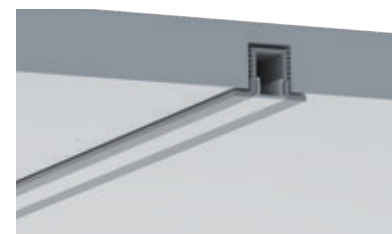
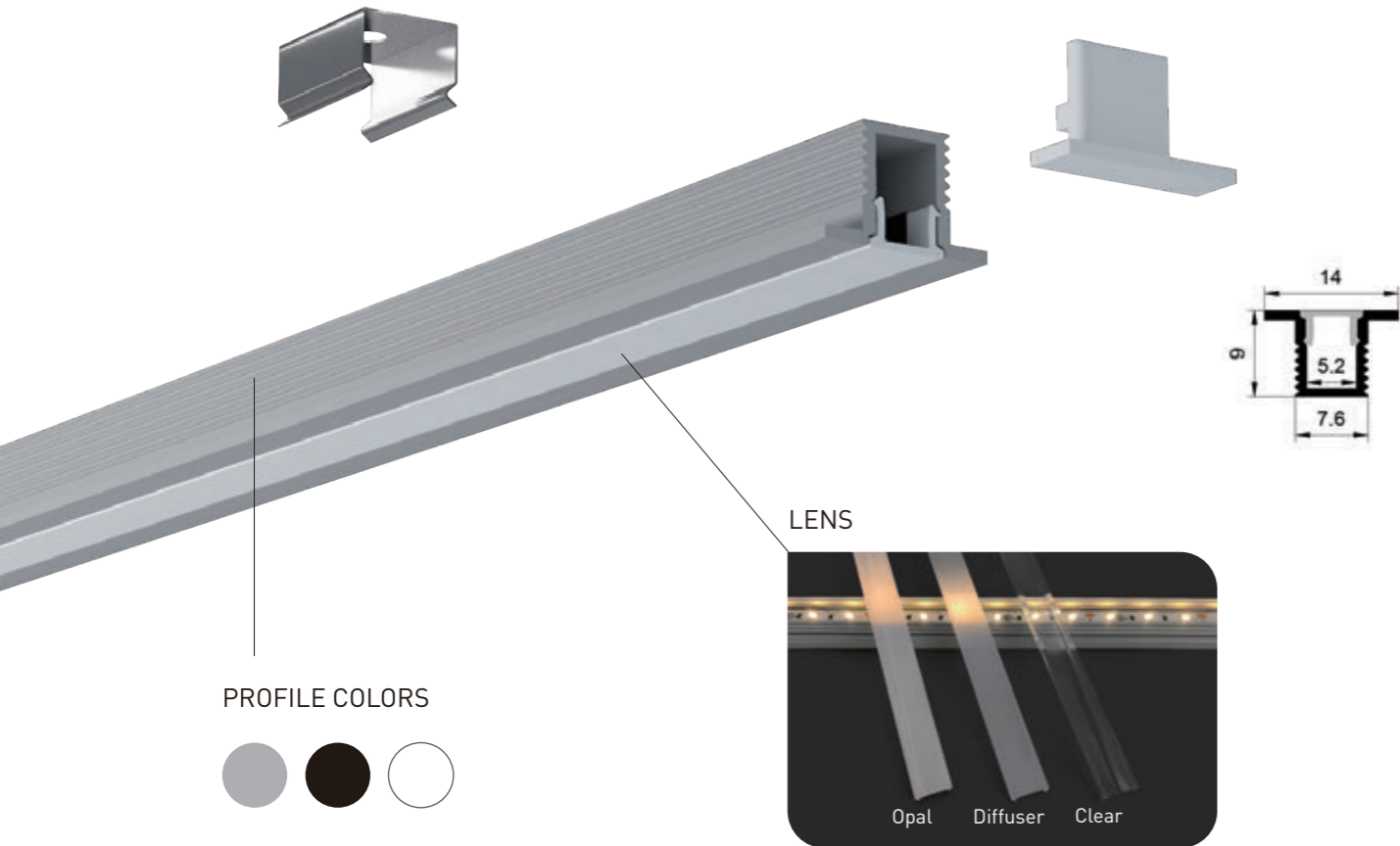
Part Code	Led Qty	Input Vol.	Power	CRI	Light Source Lumen	Diffuser Lens Lumen	Cutttable length	Max Run	Pcb Width
MN-2835A-120	120pcs/m	12/24VDC	9.6 W/m	90+	956 lm/m	373 lm/m	12V=25mm 24V=50mm	12V=1.5m 24V=3m	4 mm
				95+	793 lm/m	309 lm/m			
MN-2110-238	238pcs/m	24VDC	12.24 W/m	90+	1126 lm/m	439 lm/m	29.4mm	2m	4 mm
				95+	935 lm/m	364 lm/m			

Remark: The tested data based on silver finish in 4000K, CRI 90+ light source.



MINI SERIES

► SL081405



Installation: Trimmed Recessed
 Length Available: 1-3m
 Profile Color: Silver, Black Anodized, White Powder Coating
 Lens: Opal, Diffuser, Clear
 Input Cable: Endcaps, Profile Bottom, Profile Sides
 Quick Female/Male Connectors Input cable & Junction Box available

MINI SERIES

► SL081405

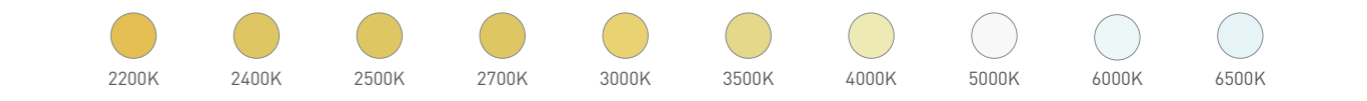
ORDERING CODE

Luminaire	Finish	Lens	Vol.	Power	CRI	CCT	Input Cable	Connector	Wiring	
SL081405	W White	D Diffuser	12 12VDC	4.8W/m	90	22-2200K , 24-2400K , 25-2500K 27-2700K , 30-3000K , 35-3500K 40-4000K , 50-5000K , 65-6500K	01 - Black&Red 22AWG	A - AMP male/female	B - Through profile back	
	B Black	O Opal	24 24VDC	9.6W/m	95					
	S Silver	C Clear		12.24W/m	95+	22-2200K , 25-2500K , 27-2700K 30-3000K , 35-3500K , 40-4000K 50-5000K , 65-6500K	02 - Black&White 22AWG	M - Molex male/female	E - Through Endcaps	
				28.8W/m		TW	Tunable White - check your executive sales	03 - White PU protected 2 pin	D - DC male/female	S - Through profile side
						D2W	Dim To Warm - check your executive sales	04 - 3Pin cable for Tunable white		

RECOMMENDED LIGHT SOURCE

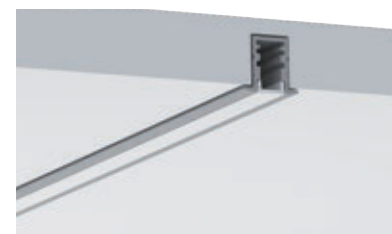
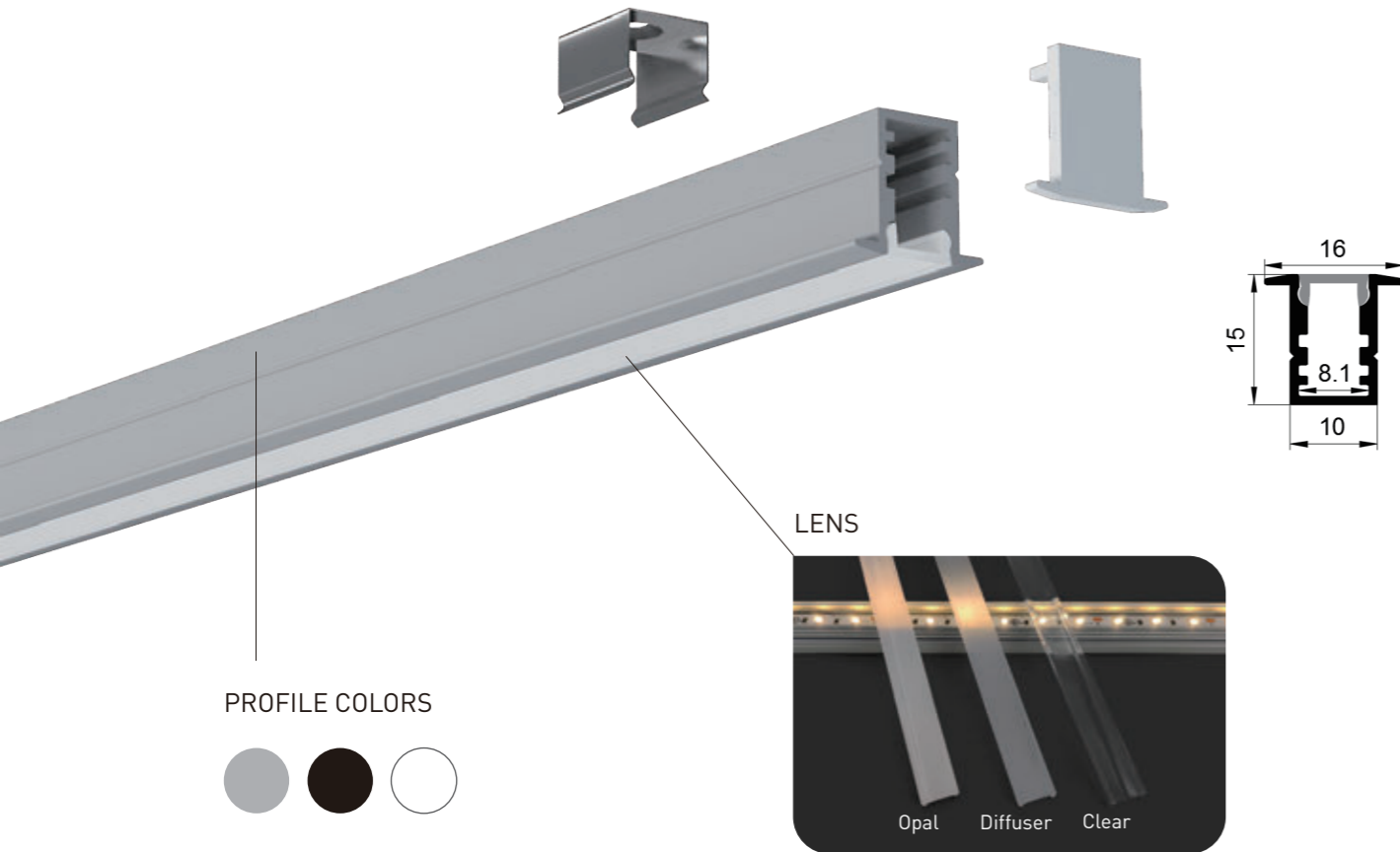
Part Code	Led Qty	Input Vol.	Power	CRI	Light Source Lumen	Diffuser Lens Lumen	Cutttable length	Max Run	Pcb Width
MN-2835A-120	120pcs/m	12/24VDC	9.6 W/m	90+	956 lm/m	373 lm/m	12V=25mm 24V=50mm	12V=1.5m 24V=3m	4 mm
				95+	793 lm/m	309 lm/m			
MN-2110-238	238pcs/m	24VDC	12.24 W/m	90+	1126 lm/m	439 lm/m	29.4mm	2m	4 mm
				95+	935 lm/m	364 lm/m			

Remark: The tested data based on silver finish in 4000K, CRI 90+ light source.



MINI SERIES

► SL1615K08



Installation: Trimmed Recessed
 Length Available: 1-3m
 Profile Color: Silver, Black Anodized, White Powder Coating
 Lens: Opal, Diffuser, Clear
 Input Cable: Endcaps, Profile Bottom, Profile Sides
 Quick Female/Male Connectors Input cable & Junction Box available

MINI SERIES

► SL1615K08

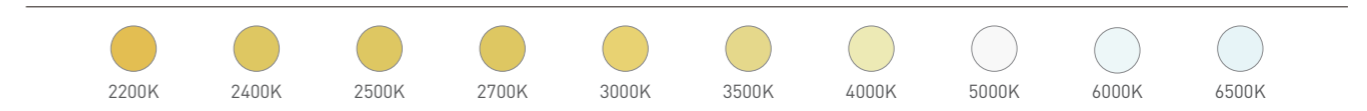
ORDERING CODE

Luminaire	Finish	Lens	Vol.	Power	CRI	CCT	Input Cable	Connector	Wiring
SL1615K08	W White	D Diffuser	12 12VDC	4.8W/m	90	22-2200K , 24-2400K , 25-2500K 27-2700K , 30-3000K , 35-3500K 40-4000K , 50-5000K , 65-6500K	01 - Black&Red 22AWG	A - AMP male/female	B - Through profile back
	B Black	O Opal	24 24VDC	9.6W/m	90+				
	S Silver	C Clear		12.24W/m	95	22-2200K , 25-2500K , 27-2700K 30-3000K , 35-3500K , 40-4000K 50-5000K , 65-6500K	02 - Black&White 22AWG	M - Molex male/female	E - Through Endcaps
				28.8W/m	95+				
					TW	Tunable White - check your executive sales	03 - White PU protected 2 pin	D - DC male/female	S - Through profile side
					D2W	Dim To Warm - check your executive sales	04 - 3Pin cable for Tunable white		

RECOMMENDED LIGHT SOURCE

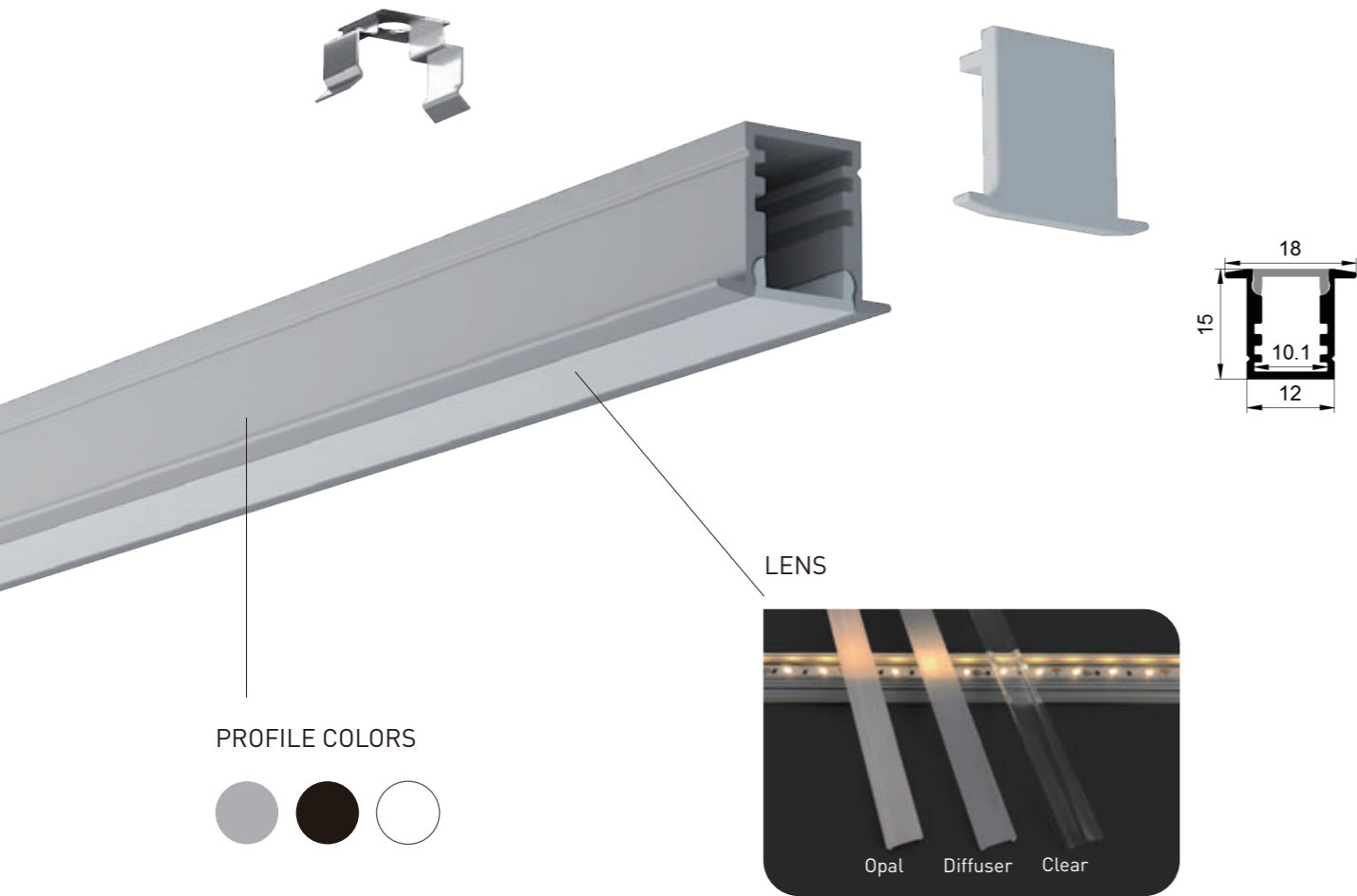
Part Code	Led Qty	Input Vol.	Power	CRI	Light Source Lumen	Diffuser Lens Lumen	Cuttable length	Max Run	Pcb Width
MN-2835A-60	60pcs/m	12/24VDC	4.8 W/m	90+	478 lm/m	186 lm/m	12V=50mm 24V=100mm	12V=3m 24V=5m	5 mm
				95+	397 lm/m	155 lm/m			
MN-2835A-120	120pcs/m	12/24VDC	9.6 W/m	90+	956 lm/m	373 lm/m	12V=25mm 24V=50mm	12V=1.5m 24V=3m	4 mm
				95+	793 lm/m	309 lm/m			
MN-2110-238	238pcs/m	24VDC	12.24 W/m	90+	1126 lm/m	439 lm/m	29.4mm	2m	4 mm
				95+	935 lm/m	364 lm/m			
MN-5630A-60	60pcs/m	24VDC	28.8 W/m	90+	1900 lm/m	741 lm/m	100mm	2m	6 mm
				95+	1577 lm/m	615 lm/m			

Remark: The tested data based on silver finish in 4000K, CRI 90+ light source.



MINI SERIES

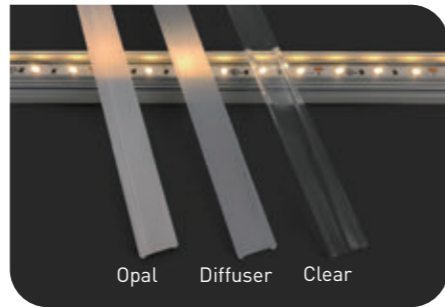
► SL1812K10



PROFILE COLORS



LENS



Installation: Trimed Recessed
 Length Available: 1-3m
 Profile Color: Silver, Black Anodized, White Powder Coating
 Lens: Opal, Diffuser, Clear
 Input Cable: Endcaps, Profile Bottom, Profile Sides
 Quick Female/Male Connectors Input cable & Junction Box available

MINI SERIES

► SL1812K10

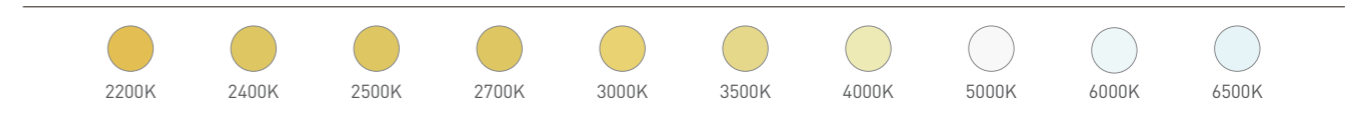
ORDERING CODE

Luminaire	Finish	Lens	Vol.	Power	CRI	CCT	Input Cable	Connector	Wiring
SL1812K10	W White	D Diffuser	12 12VDC	4.8W/m	90	22-2200K , 24-2400K , 25-2500K 27-2700K , 30-3000K , 35-3500K 40-4000K , 50-5000K , 65-6500K	01 - Black&Red 22AWG	A - AMP male/female	B - Through profile back
	B Black	O Opal	24 24VDC	9.6W/m	95				
	S Silver	C Clear		12.24W/m	95+	22-2200K , 25-2500K , 27-2700K 30-3000K , 35-3500K , 40-4000K 50-5000K , 65-6500K	02 - Black&White 22AWG	M - Molex male/female	E - Through Endcaps
				28.8W/m		TW	Tunable White - check your executive sales	03 - White PU protected 2 pin	D - DC male/female
						D2W	Dim To Warm - check your executive sales	04 - 3Pin cable for Tunable white	

RECOMMENDED LIGHT SOURCE

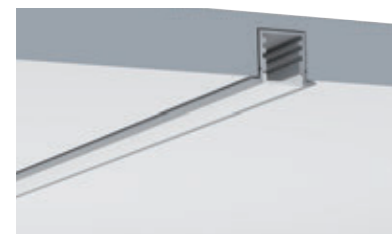
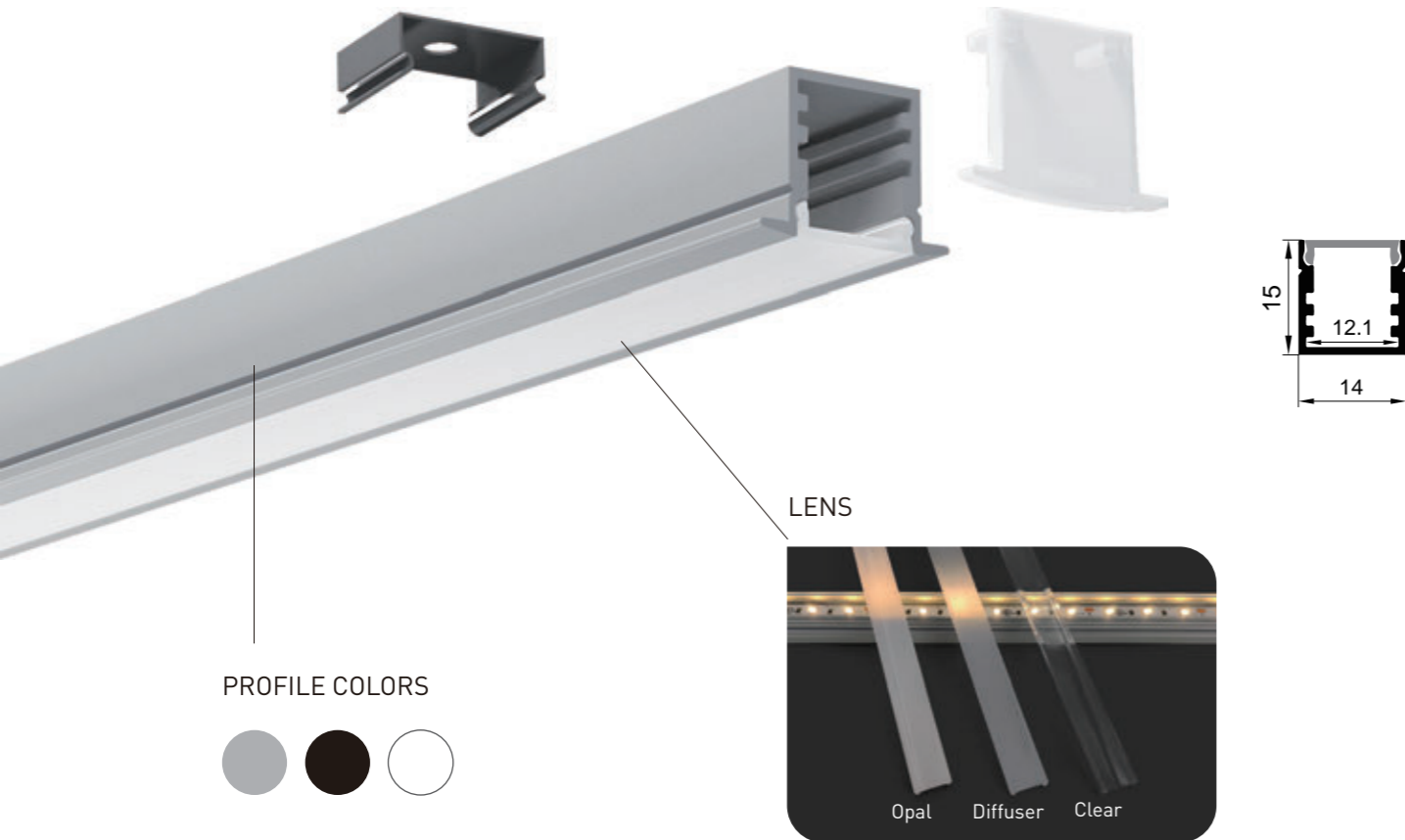
Part Code	Led Qty	Input Vol.	Power	CRI	Light Source Lumen	Diffuser Lens Lumen	Cutttable length	Max Run	Pcb Width
MN-2835A-60	60pcs/m	12/24VDC	4.8 W/m	90+	478 lm/m	186 lm/m	12V=50mm 24V=100mm	12V=3m 24V=5m	5 mm
				95+	397 lm/m	155 lm/m			
MN-2835A-120	120pcs/m	12/24VDC	9.6 W/m	90+	956 lm/m	373 lm/m	12V=25mm 24V=50mm	12V=1.5m 24V=3m	4 mm
				95+	793 lm/m	309 lm/m			
MN-2110-238	238pcs/m	24VDC	12.24 W/m	90+	1126 lm/m	439 lm/m	29.4mm	2m	4 mm
				95+	935 lm/m	364 lm/m			
MN-5630A-60	60pcs/m	24VDC	28.8 W/m	90+	1900 lm/m	741 lm/m	100mm	2m	6 mm
				95+	1577 lm/m	615 lm/m			

Remark: The tested data based on silver finish in 4000K, CRI 90+ light source.



MINI SERIES

► SL2014K12



Installation: Trimed Recessed
 Length Available: 1-3m
 Profile Color: Silver, Black Anodized, White Powder Coating
 Lens: Opal, Diffuser, Clear
 Input Cable: Endcaps, Profile Bottom, Profile Sides
 Quick Female/Male Connectors Input cable & Junction Box available

MINI SERIES

► SL2014K12

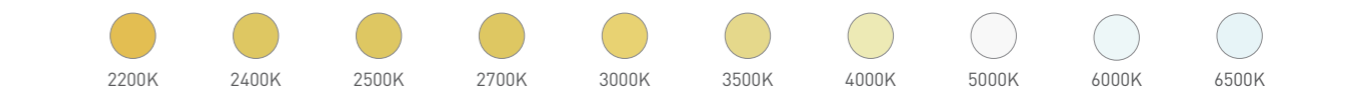
ORDERING CODE

Luminaire	Finish	Lens	Vol.	Power	CRI	CCT	Input Cable	Connector	Wiring
SL2014K12	W White	D Diffuser	12 12VDC	5.18W/m	90 90+	22-2200K, 24-2400K, 25-2500K 27-2700K, 30-3000K, 35-3500K 40-4000K, 50-5000K, 65-6500K	01 - Black&Red 22AWG 02 - Black&White 22AWG 03 - White PU protected 2 pin 04 - 3Pin cable for Tunable white	A - AMP male/female M - Molex male/female D - DC male/female	B - Through profile back E - Through Endcaps S - Through profile side
	B Black	O Opal	24 24VDC	11.52W/m					
	S Silver	C Clear	36 36VDC	14.40W/m					
			48 48VDC	21.60W/m 24.00W/m 28.80W/m					
					TW	Tunable White - check your executive sales			
					D2W	Dim To Warm - check your executive sales			

RECOMMENDED LIGHT SOURCE

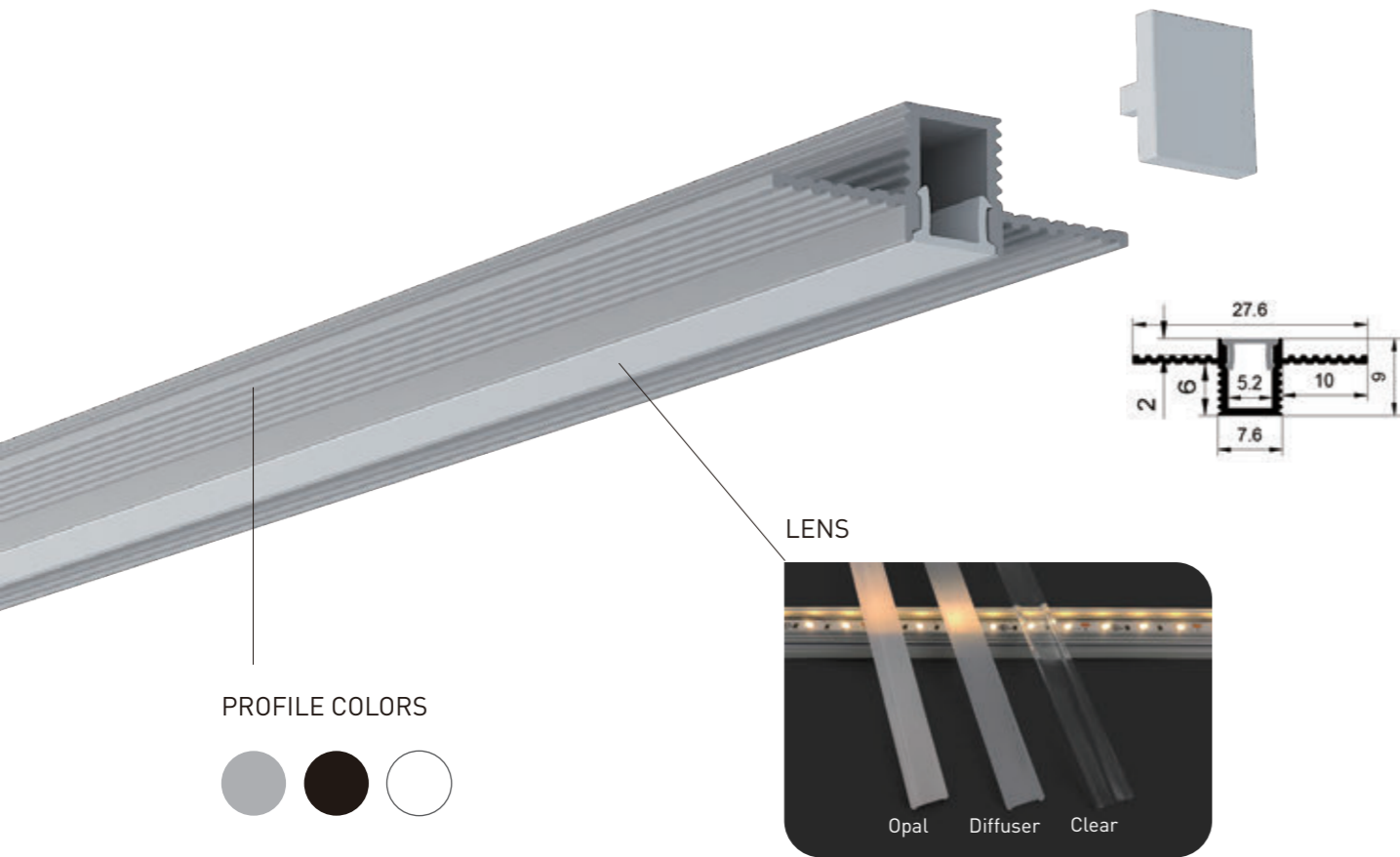
Performance	Part Code	Led Qty	Input Vol.	Power	CRI	Light Source Lumen	Diffuser Lens Lumen	Cuttable length	Max Run	Pcb Width
General	FN-2835T-120	120pcs/m	12/24VDC	14.40 W/m	90+	1512 lm/m	680 lm/m	12V=25mm 24V=50mm	12V=5m 24V=9m	10 mm
					95+	1282 lm/m	577 lm/m			
High Efficiency	FN-H2835T-128	128pcs/m	24VDC	11.52 W/m	90+	1613 lm/m	726 lm/m	24V=62.5mm	24V=6m	10 mm
					95+	1475 lm/m	664 lm/m			
	FN-H28350-160	160pcs/m	24VDC	24 W/m	90+	3480 lm/m	1739 lm/m	50mm	3m	10 mm
	FN-H28350-192	192pcs/m	24VDC	28.8 W/m	90+	4176 lm/m	2086lm/m	41.7mm	2.5m	10 mm
Long Run	LN-H2835T-80	80pcs/m	36VDC	5.18W/m	90+	580 lm/m	261 lm/m	100mm	50m	10 mm
					95+	482 lm/m	217 lm/m			
	LN-H2835T-112	112pcs/m	48VDC	11.52 W/m	90+	1336 lm/m	601 lm/m	125mm	25m	10 mm
95+	1106 lm/m	498 lm/m								
Short Cut	FN-F2835A-120	120pcs/m	12VDC	21.60 W/m	90+	588 lm/m	265 lm/m	50mm	21m	10 mm
					95+	486 lm/m	219 lm/m			
					90+	1922 lm/m	865 lm/m	16.7mm	3.5m	10 mm
					95+	1595 lm/m	718 lm/m			

Remark: 1. The tested data based on silver finish in 4000K, CRI 90+ light source. 2. LN-H2835T-80 is good for long run, but it will show light spot.



MINI SERIES

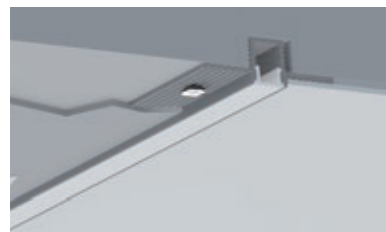
► SL082705



PROFILE COLORS



Opal Diffuser Clear



Installation: Trimless
 Recessed
 Length Available: 1-3m
 Profile Color: Silver, Black Anodized, White Powder Coating
 Lens: Opal, Diffuser, Clear
 Input Cable: Endcaps, Profile Bottom, Profile Sides
 Quick Female/Male Connectors Input cable & Junction Box available

MINI SERIES

► SL082705

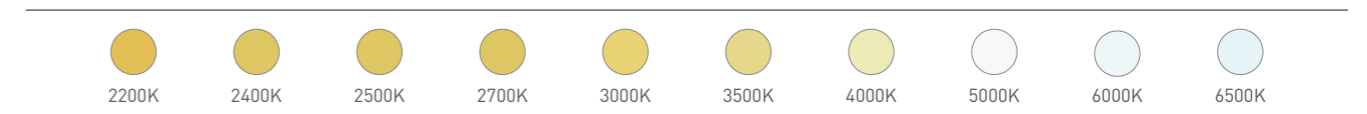
ORDERING CODE

Luminaire	Finish	Lens	Vol.	Power	CRI	CCT	Input Cable	Connector	Wiring
SL082705	W White	D Diffuser	12 12VDC	4.8W/m	90	22-2200K , 24-2400K , 25-2500K 27-2700K , 30-3000K , 35-3500K 40-4000K , 50-5000K , 65-6500K	01 - Black&Red 22AWG	A - AMP male/female	B - Through profile back
	B Black	O Opal	24 24VDC	9.6W/m	95				
	S Silver	C Clear		12.24W/m	95+	22-2200K , 25-2500K , 27-2700K 30-3000K , 35-3500K , 40-4000K 50-5000K , 65-6500K	02 - Black&White 22AWG	M - Molex male/female	E - Through Endcaps
				28.8W/m		TW Tunable White - check your executive sales	03 - White PU protected 2 pin	D - DC male/female	S - Through profile side
						D2W Dim To Warm - check your executive sales	04 - 3Pin cable for Tunable white		

RECOMMENDED LIGHT SOURCE

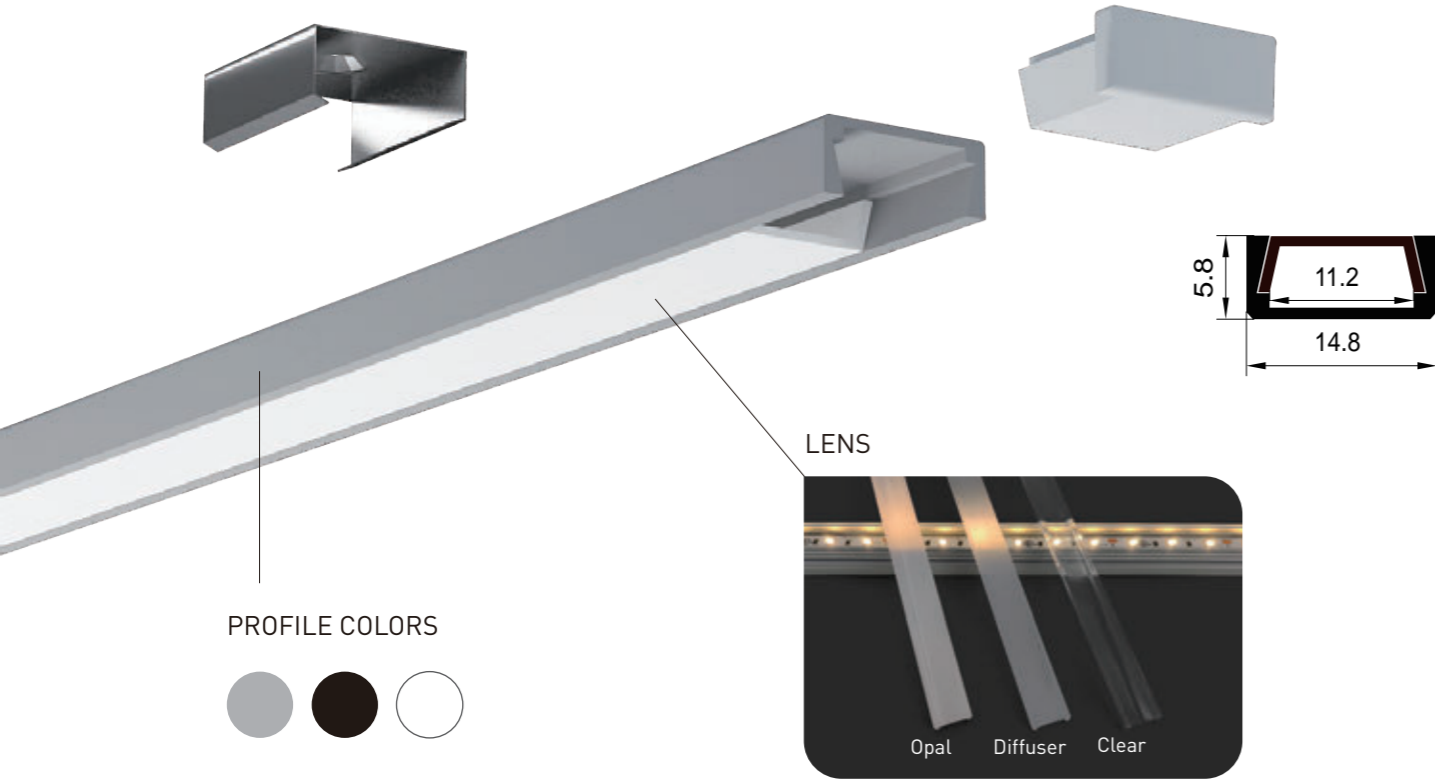
Part Code	Led Qty	Input Vol.	Power	CRI	Light Source Lumen	Diffuser Lens Lumen	Cutttable length	Max Run	Pcb Width
MN-2835A-120	120pcs/m	12/24VDC	9.6 W/m	90+	956 lm/m	373 lm/m	12V=25mm 24V=50mm	12V=1.5m 24V=3m	4 mm
				95+	793 lm/m	309 lm/m			
MN-2110-238	238pcs/m	24VDC	12.24 W/m	90+	1126 lm/m	439 lm/m	29.4mm	2m	4 mm
				95+	935 lm/m	364 lm/m			

Remark: The tested data based on silver finish in 4000K, CRI 90+ light source.

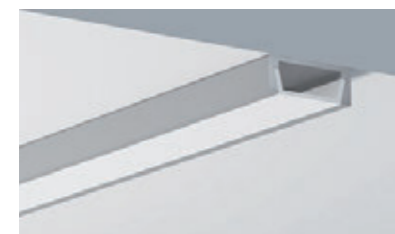
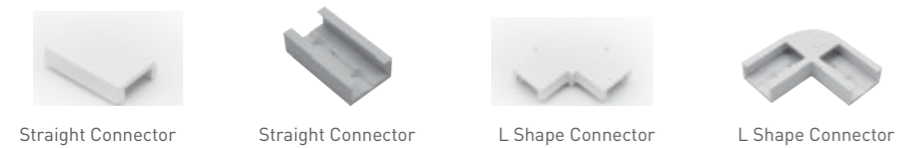


VERTICAL SURFACE MOUNTED SERIES

► SL150611



ACCESSORIES



Installation: Vertical Surface Mounted
 Length Available: 1-3m
 Profile Color: Silver, Black Anodized, White Powder Coating
 Lens: Opal, Diffuser, Clear
 Input Cable: Endcaps, Profile Bottom, Profile Sides
 Quick Female/Male Connectors Input cable & Junction Box available

VERTICAL SURFACE MOUNTED SERIES

► SL150611

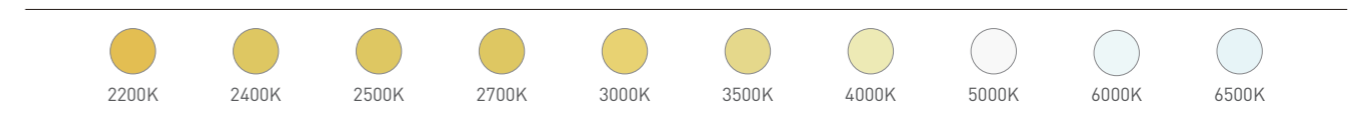
ORDERING CODE

Luminaire	Finish	Lens	Vol.	Power	CRI	CCT	Input Cable	Connector	Wiring
SL150611	W White	D Diffuser	24 24VDC	16.42W/m	90 90+	22-2200K , 24-2400K 25-2500K , 27-2700K 30-3000K , 35-3500K 40-4000K , 50-5000K 65-6500K	01 - Black&Red 22AWG	A - AMP male/female	B - Through profile back
	B Black	O Opal					02 - Black&White 22AWG	M - Molex male/female	E - Through Endcaps
	S Silver	C Clear					03 - White PU protected 2 pin	D - DC male/female	S - Through profile side
					TW	Tunable White - check your executive sales			
					D2W	Dim To Warm - check your executive sales	04 - 3Pin cable for Tunable white		

RECOMMENDED LIGHT SOURCE

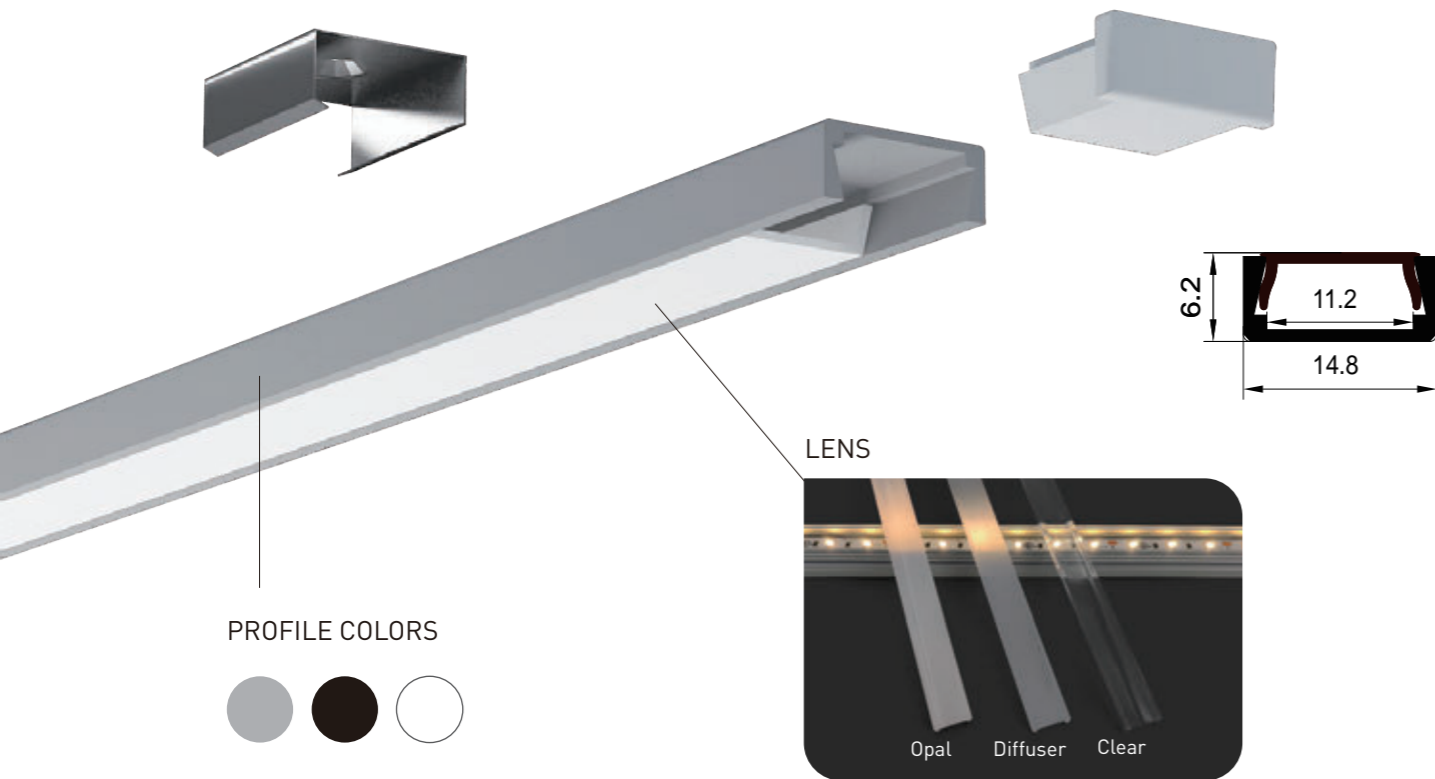
Performance	Part Code	Led Qty	Input Vol.	Power	CRI	Light Source Lumen	Diffuser Lens Lumen	Cutttable length	Max Run	Pcb Width
General	FN-2016-266	266pcs/m	24VDC	16.42W/m	90+	1700 lm/m	1326lm/m	26.3mm	3m	10mm

Remark: The tested data based on silver finish in 4000K, CRI 90+ light source.



VERTICAL SURFACE MOUNTED SERIES

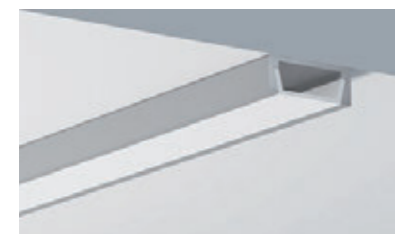
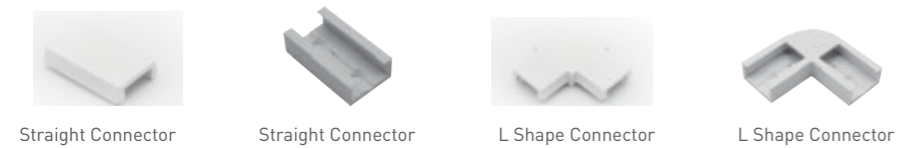
► SL1506B11



PROFILE COLORS



ACCESSORIES



Installation: Vertical Surface Mounted
 Length Available: 1-3m
 Profile Color: Silver, Black Anodized, White Powder Coating
 Lens: Opal, Diffuser, Clear
 Input Cable: Endcaps, Profile Bottom, Profile Sides
 Quick Female/Male Connectors Input cable & Junction Box available

VERTICAL SURFACE MOUNTED SERIES

► SL1506B11

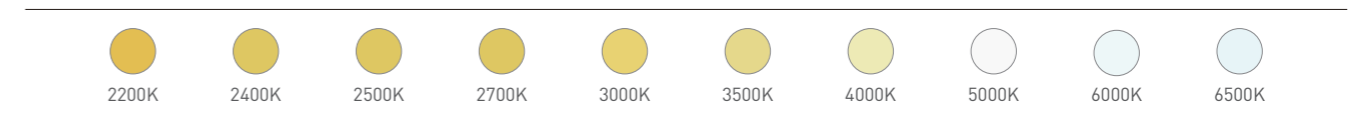
ORDERING CODE

Luminaire	Finish	Lens	Vol.	Power	CRI	CCT	Input Cable	Connector	Wiring
SL1506B11	W White	D Diffuser	24 24VDC	16.42W/m	90 90+	22-2200K , 24-2400K 25-2500K , 27-2700K 30-3000K , 35-3500K 40-4000K , 50-5000K 65-6500K	01 - Black&Red 22AWG	A - AMP male/female	B - Through profile back
	B Black	O Opal					02 - Black&White 22AWG	M - Molex male/female	E - Through Endcaps
	S Silver	C Clear					03 - White PU protected 2 pin	D - DC male/female	S - Through profile side
					TW	Tunable White - check your executive sales			
					D2W	Dim To Warm - check your executive sales	04 - 3Pin cable for Tunable white		

RECOMMENDED LIGHT SOURCE

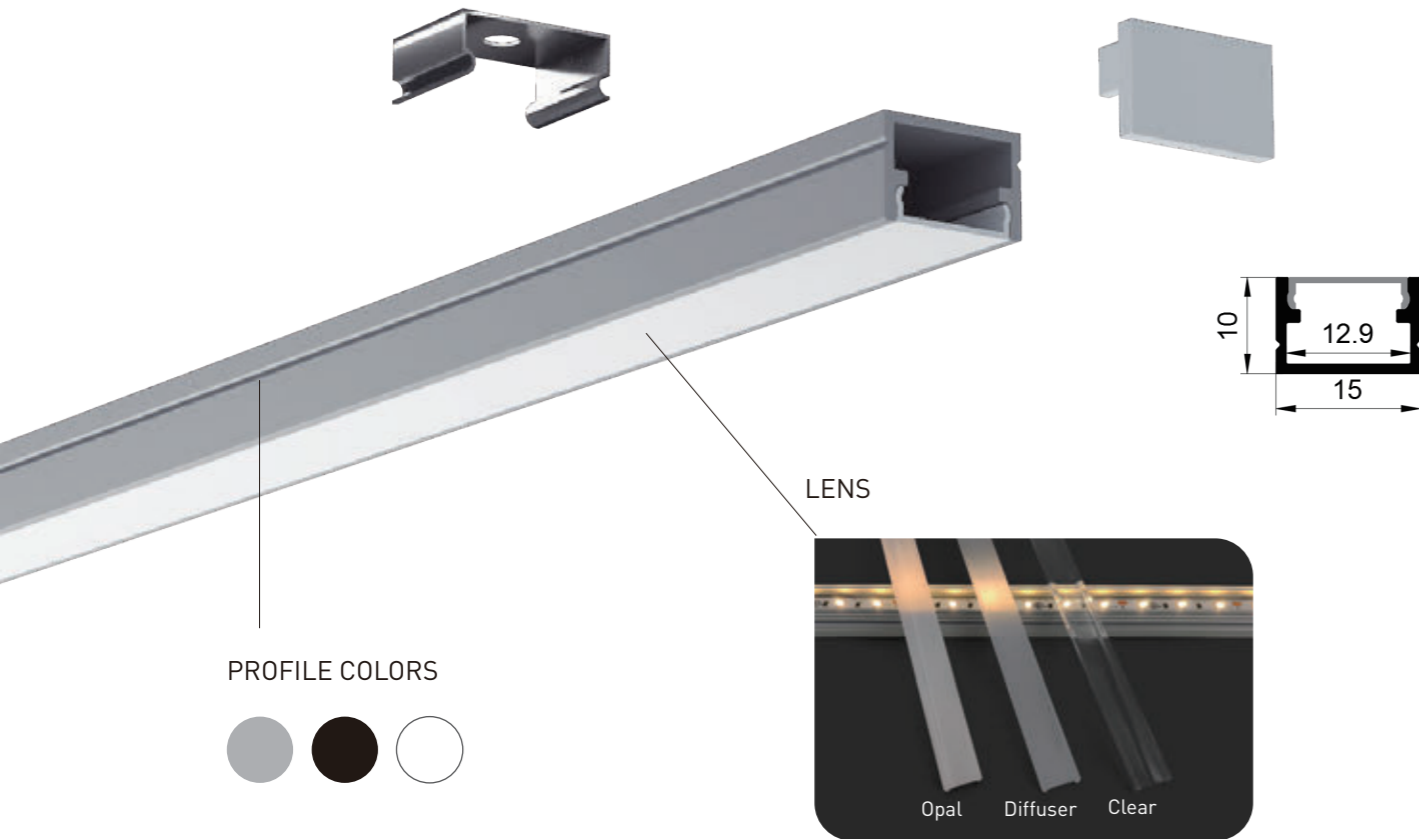
Performance	Part Code	Led Qty	Input Vol.	Power	CRI	Light Source Lumen	Diffuser Lens Lumen	Cutttable length	Max Run	Pcb Width
General	FN-2016-266	266pcs/m	24VDC	16.42W/m	90+	1700 lm/m	1326 lm/m	26.3mm	3m	10mm

Remark: The tested data based on silver finish in 4000K, CRI 90+ light source.



VERTICAL SURFACE MOUNTED SERIES

► SL151012



VERTICAL SURFACE MOUNTED SERIES

► SL151012

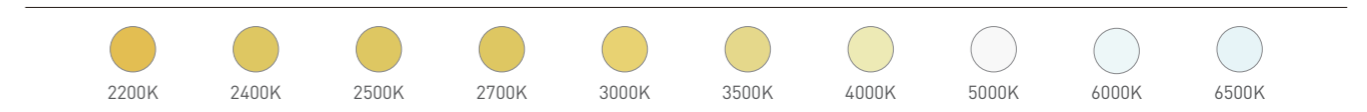
ORDERING CODE

Luminaire	Finish	Lens	Vol.	Power	CRI	CCT	Input Cable	Connector	Wiring		
SL151012	W White	D Diffuser	24 24VDC	12.96W/m 17.28W /m	90 90+	22-2200K , 24-2400K 25-2500K , 27-2700K 30-3000K , 35-3500K 40-4000K , 50-5000K 65-6500K	01 - Black&Red 22AWG	A - AMP male/female	B - Through profile back		
	B Black	O Opal								M - Molex male/female	E - Through Endcaps
	S Silver	C Clear									
			TW	Tunable White - check your executive sales	03 - White PU protected 2 pin						
					D2W	Dim To Warm - check your executive sales	04 - 3Pin cable for Tunable white				

RECOMMENDED LIGHT SOURCE

Part Code	Led Qty	Input Vol.	Power	CRI	Light Source Lumen	Diffuser Lens Lumen	Cuttable length	Max Run	Pcb Width
FN-2016-180	180pcs/m	24VDC	12.96W/m	90+	1000 lm/m	780 lm/m	33mm	3m	10mm
FN-2016-240	240pcs/m		17.28W/m	90+	1300 lm/m	1014 lm/m	25mm		

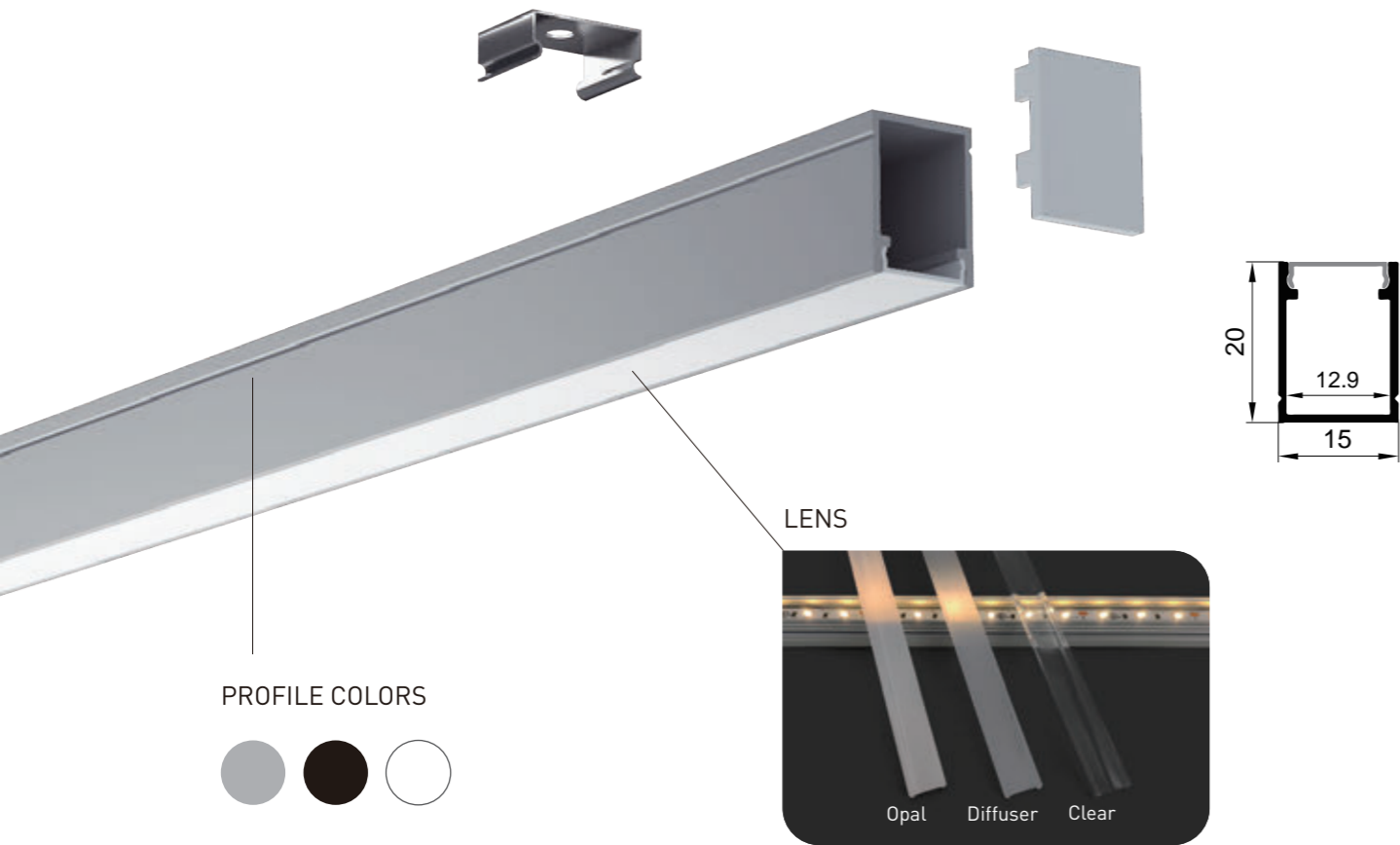
Remark: The tested data based on silver finish in 4000K, CRI 90+ light source.



Installation: Vertical Surface Mounted
 Length Available: 1-3m
 Profile Color: Silver, Black Anodized, White Powder Coating
 Lens: Opal, Diffuser, Clear
 Input Cable: Endcaps, Profile Bottom, Profile Sides
 Quick Female/Male Connectors Input cable & Junction Box available

VERTICAL SURFACE MOUNTED SERIES

► SL152012



PROFILE COLORS



Installation: Vertical Surface Mounted
 Length Available: 1-3m
 Profile Color: Silver, Black Anodized, White Powder Coating
 Lens: Opal, Diffuser, Clear
 Input Cable: Endcaps, Profile Bottom, Profile Sides
 Quick Female/Male Connectors Input cable & Junction Box available

VERTICAL SURFACE MOUNTED SERIES

► SL152012

ORDERING CODE

Luminaire	Finish	Lens	Vol.	Power	CRI	CCT	Input Cable	Connector	Wiring
SL152012	W White	D Diffuser	12 12VDC	5.18W/m	90 90+	22-2200K , 24-2400K , 25-2500K 27-2700K , 30-3000K , 35-3500K 40-4000K , 50-5000K , 65-6500K	01 - Black&Red 22AWG 02 - Black&White 22AWG 03 - White PU protected 2 pin 04 - 3Pin cable for Tunable white	A - AMP male/female M - Molex male/female D - DC male/female	B - Through profile back E - Through Endcaps S - Through profile side
	B Black	O Opal	24 24VDC	11.52W/m	95 95+	22-2200K , 25-2500K , 27-2700K 30-3000K , 35-3500K , 40-4000K 50-5000K , 65-6500K			
	S Silver	C Clear	36 36VDC	14.40W/m	TW	Tunable White - check your executive sales			
			48 48VDC	21.60W/m 24.00W/m 28.80W/m	D2W	Dim To Warm - check your executive sales			

RECOMMENDED LIGHT SOURCE

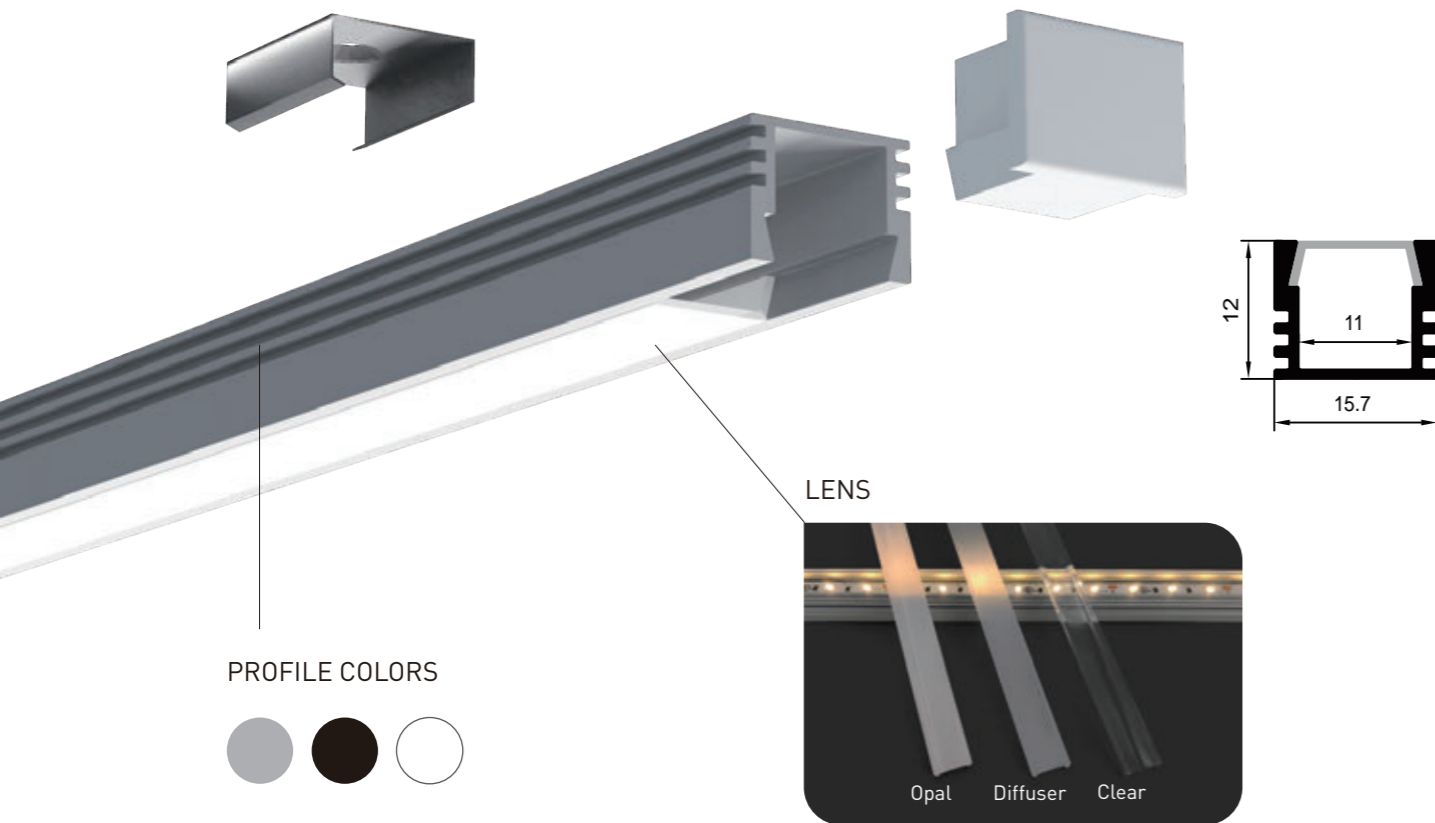
Performance	Part Code	Led Qty	Input Vol.	Power	CRI	Light Source Lumen	Diffuser Lens Lumen	Cuttable length	Max Run	Pcb Width
General	FN-2835T-120	120pcs/m	12/24VDC	14.40 W/m	90+	1512 lm/m	680lm/m	12V=25mm 24V=50mm	12V=5m 24V=9m	10 mm
					95+	1282 lm/m	577lm/m			
High Efficiency	FN-H2835T-128	128pcs/m	24VDC	11.52 W/m	90+	1613 lm/m	726lm/m	24V=62.5mm	24V=6m	10 mm
					95+	1475 lm/m	664lm/m			
	FN-H28350-160	160pcs/m	24VDC	24 W/m	90+	3480 lm/m	1739lm/m	50mm	3m	10 mm
					95+	1987 lm/m	894lm/m			
FN-H2835T-160	160pcs/m	24VDC	14.40 W/m	90+	1843 lm/m	829lm/m	24V=50mm	24V=5m	10 mm	
				95+	1843 lm/m	829lm/m				
FN-H28350-192	192pcs/m	24VDC	28.8 W/m	90+	4176 lm/m	2086lm/m	41.7mm	2.5m	10 mm	
				95+	4176 lm/m	2086lm/m				
Long Run	LN-H2835T-80	80pcs/m	36VDC	5.18W/m	90+	580 lm/m	261lm/m	100mm	50m	10 mm
					95+	482 lm/m	217lm/m			
	LN-H2835T-112	112pcs/m	48VDC	11.52 W/m	90+	1336 lm/m	601lm/m	125mm	25m	10 mm
95+					1106 lm/m	498lm/m				
LN-H2835T-120	120pcs/m	24VDC	6.00 W/m	90+	588 lm/m	265lm/m	50mm	21m	10 mm	
				95+	486 lm/m	219lm/m				
Short Cut	FN-F2835A-120	120pcs/m	12VDC	21.60 W/m	90+	1922 lm/m	865lm/m	16.7mm	3.5m	10 mm
					95+	1595 lm/m	718lm/m			

Remark: 1. The tested data based on silver finish in 4000K, CRI 90+ light source. 2. LN-H2835T-80 is good for long run, but it will show light spot.

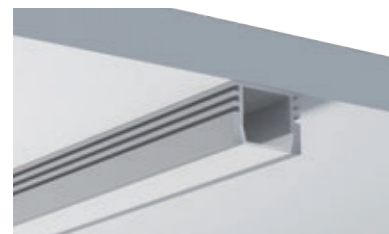


VERTICAL SURFACE MOUNTED SERIES

► SL161210



PROFILE COLORS



Installation: Vertical Surface Mounted
 Length Available: 1-3m
 Profile Color: Silver, Black Anodized, White Powder Coating
 Lens: Opal, Diffuser, Clear
 Input Cable: Endcaps, Profile Bottom, Profile Sides
 Quick Female/Male Connectors Input cable & Junction Box available

VERTICAL SURFACE MOUNTED SERIES

► SL161210

ORDERING CODE

Luminaire	Finish	Lens	Vol.	Power	CRI	CCT	Input Cable	Connector	Wiring
SL161210	W White	D Diffuser	12 12VDC	5.18W/m	90 90+	22-2200K, 24-2400K, 25-2500K 27-2700K, 30-3000K, 35-3500K 40-4000K, 50-5000K, 65-6500K	01 - Black&Red 22AWG	A - AMP male/female	B - Through profile back
	B Black	O Opal	24 24VDC	11.52W/m	95 95+	22-2200K, 25-2500K, 27-2700K 30-3000K, 35-3500K, 40-4000K 50-5000K, 65-6500K	02 - Black&White 22AWG	M - Molex male/female	E - Through Endcaps
	S Silver	C Clear	36 36VDC	14.40W/m	TW	Tunable White - check your executive sales	03 - White PU protected 2 pin	D - DC male/female	S - Through profile side
			48 48VDC	21.60W/m 24.00W/m 28.80W/m	D2W	Dim To Warm - check your executive sales	04 - 3Pin cable for Tunable white		

RECOMMENDED LIGHT SOURCE

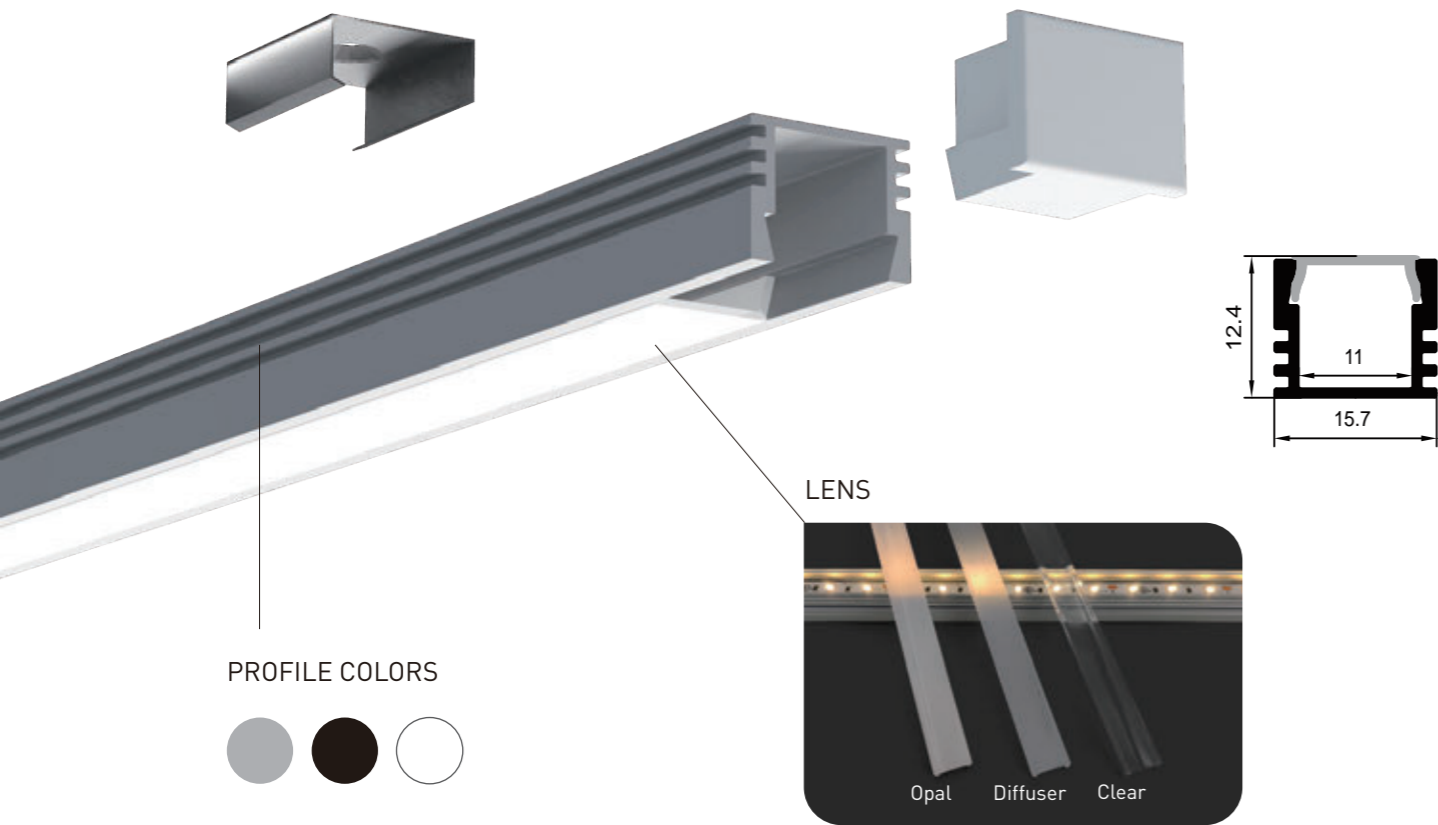
Performance	Part Code	Led Qty	Input Vol.	Power	CRI	Light Source Lumen	Diffuser Lens Lumen	Cuttable length	Max Run	Pcb Width
General	FN-2835T-120	120pcs/m	12/24VDC	14.40 W/m	90+	1512 lm/m	756 lm/m	12V=25mm 24V=50mm	12V=5m 24V=9m	10 mm
					95+	1282 lm/m	641 lm/m			
High Efficiency	FN-H2835T-128	128pcs/m	24VDC	11.52 W/m	90+	1613 lm/m	807 lm/m	24V=62.5mm	24V=6m	10 mm
					95+	1475 lm/m	738 lm/m			
	FN-H28350-160	160pcs/m	24VDC	24 W/m	90+	3480 lm/m	1932 lm/m	50mm	3m	10 mm
					95+	1987 lm/m	994 lm/m	24V=50mm	24V=5m	10 mm
FN-H2835T-160	160pcs/m	24VDC	14.40 W/m	90+	1843 lm/m	922 lm/m				
				95+	1843 lm/m	922 lm/m				
FN-H28350-192	192pcs/m	24VDC	28.8 W/m	90+	4176 lm/m	2318 lm/m	41.7mm	2.5m	10 mm	
				95+	4176 lm/m	2318 lm/m				
Long Run	LN-H2835T-80	80pcs/m	36VDC	5.18W/m	90+	580 lm/m	290 lm/m	100mm	50m	10 mm
					95+	482 lm/m	241 lm/m			
	LN-H2835T-112	112pcs/m	48VDC	11.52 W/m	90+	1336 lm/m	668 lm/m	125mm	25m	10 mm
					95+	1106 lm/m	553 lm/m			
	LN-H2835T-120	120pcs/m	24VDC	6.00 W/m	90+	588 lm/m	294 lm/m	50mm	21m	10 mm
					95+	486 lm/m	243 lm/m			
Short Cut	FN-F2835A-120	120pcs/m	12VDC	21.60 W/m	90+	1922 lm/m	961 lm/m	16.7mm	3.5m	10 mm
					95+	1595 lm/m	798 lm/m			

Remark: 1. The tested data based on silver finish in 4000K, CRI 90+ light source. 2. LN-H2835T-80 is good for long run, but it will show light spot.

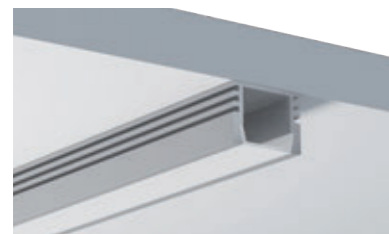


VERTICAL SURFACE MOUNTED SERIES

► SL1612B10



PROFILE COLORS



Installation: Vertical Surface Mounted
 Length Available: 1-3m
 Profile Color: Silver, Black Anodized, White Powder Coating
 Lens: Opal, Diffuser, Clear
 Input Cable: Endcaps, Profile Bottom, Profile Sides
 Quick Female/Male Connectors Input cable & Junction Box available

VERTICAL SURFACE MOUNTED SERIES

► SL1612B10

ORDERING CODE

Luminaire	Finish	Lens	Vol.	Power	CRI	CCT	Input Cable	Connector	Wiring
SL1612B10	W White	D Diffuser	12 12VDC	5.18W/m	90 90+	22-2200K, 24-2400K, 25-2500K 27-2700K, 30-3000K, 35-3500K 40-4000K, 50-5000K, 65-6500K	01 - Black&Red 22AWG	A - AMP male/female	B - Through profile back
	B Black	O Opal	24 24VDC	11.52W/m	95 95+	22-2200K, 25-2500K, 27-2700K 30-3000K, 35-3500K, 40-4000K 50-5000K, 65-6500K	02 - Black&White 22AWG	M - Molex male/female	E - Through Endcaps
	S Silver	C Clear	36 36VDC	14.40W/m	TW	Tunable White - check your executive sales	03 - White PU protected 2 pin	D - DC male/female	S - Through profile side
			48 48VDC	21.60W/m 24.00W/m 28.80W/m	D2W	Dim To Warm - check your executive sales	04 - 3Pin cable for Tunable white		

RECOMMENDED LIGHT SOURCE

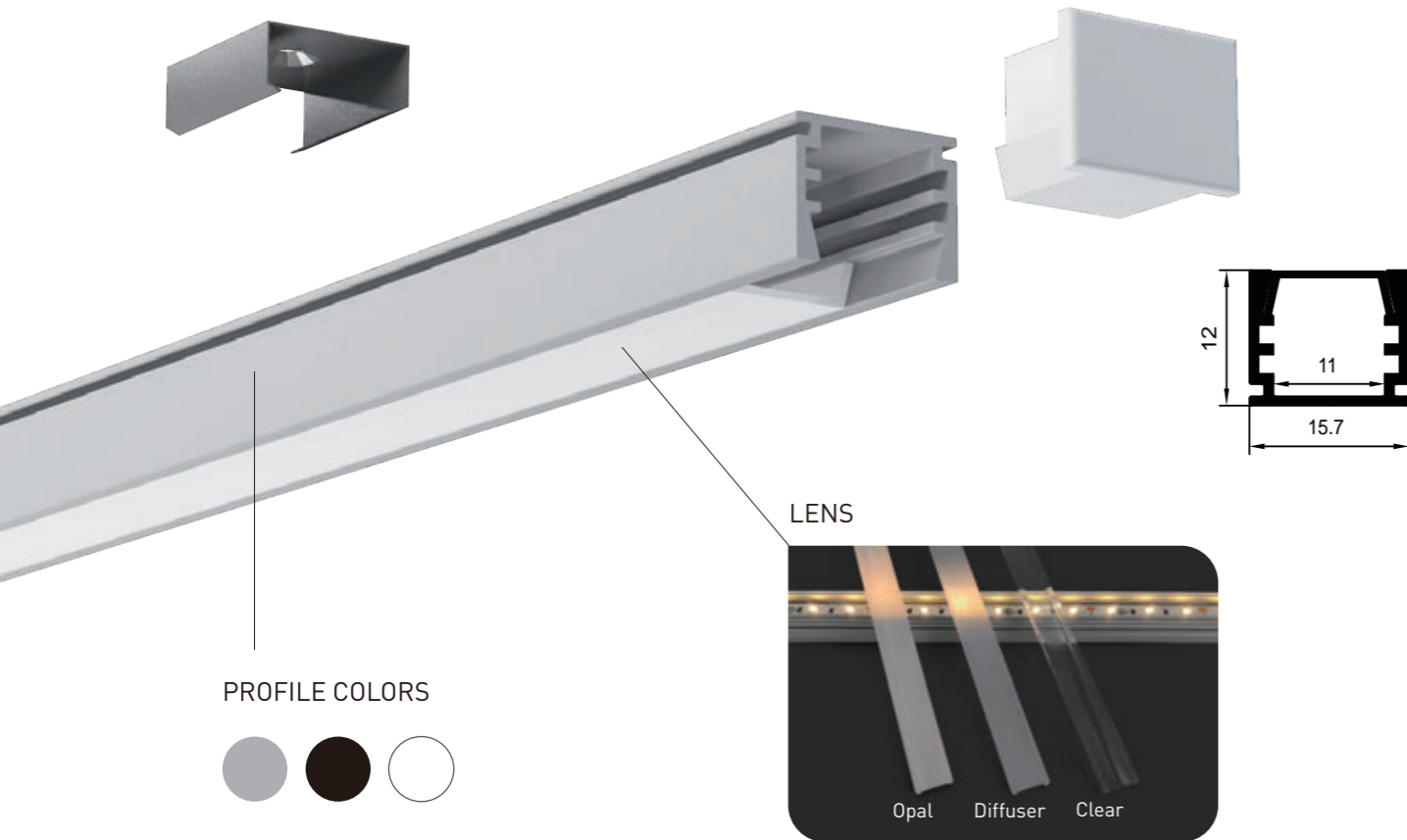
Performance	Part Code	Led Qty	Input Vol.	Power	CRI	Light Source Lumen	Diffuser Lens Lumen	Cuttable length	Max Run	Pcb Width
General	FN-2835T-120	120pcs/m	12/24VDC	14.40 W/m	90+	1512 lm/m	756 lm/m	12V=25mm 24V=50mm	12V=5m 24V=9m	10 mm
					95+	1282 lm/m	641 lm/m			
High Efficiency	FN-H2835T-128	128pcs/m	24VDC	11.52 W/m	90+	1613 lm/m	807 lm/m	24V=62.5mm	24V=6m	10 mm
					95+	1475 lm/m	738 lm/m			
	FN-H28350-160	160pcs/m	24VDC	24 W/m	90+	3480 lm/m	1932 lm/m	50mm	3m	10 mm
					95+	1987 lm/m	994 lm/m	24V=50mm	24V=5m	10 mm
FN-H2835T-160	160pcs/m	24VDC	14.40 W/m	90+	1843 lm/m	922 lm/m	24V=50mm	24V=5m	10 mm	
				95+	1843 lm/m	922 lm/m				
FN-H28350-192	192pcs/m	24VDC	28.8 W/m	90+	4176 lm/m	2318 lm/m	41.7mm	2.5m	10 mm	
				95+	4176 lm/m	2318 lm/m				
Long Run	LN-H2835T-80	80pcs/m	36VDC	5.18W/m	90+	580 lm/m	290 lm/m	100mm	50m	10 mm
					95+	482 lm/m	241 lm/m			
	LN-H2835T-112	112pcs/m	48VDC	11.52 W/m	90+	1336 lm/m	668 lm/m	125mm	25m	10 mm
95+					1106 lm/m	553 lm/m				
LN-H2835T-120	120pcs/m	24VDC	6.00 W/m	90+	588 lm/m	294 lm/m	50mm	21m	10 mm	
				95+	486 lm/m	243 lm/m				
Short Cut	FN-F2835A-120	120pcs/m	12VDC	21.60 W/m	90+	1922 lm/m	961 lm/m	16.7mm	3.5m	10 mm
					95+	1595 lm/m	798 lm/m			

Remark: 1. The tested data based on silver finish in 4000K, CRI 90+ light source. 2. LN-H2835T-80 is good for long run, but it will show light spot.



VERTICAL SURFACE MOUNTED SERIES

► SL1612C11



PROFILE COLORS



Installation: Vertical Surface Mounted
 Length Available: 1-3m
 Profile Color: Silver, Black Anodized, White Powder Coating
 Lens: Opal, Diffuser, Clear
 Input Cable: Endcaps, Profile Bottom, Profile Sides
 Quick Female/Male Connectors Input cable & Junction Box available

VERTICAL SURFACE MOUNTED SERIES

► SL1612C11

ORDERING CODE

Luminaire	Finish	Lens	Vol.	Power	CRI	CCT	Input Cable	Connector	Wiring
SL1612C11	W White	D Diffuser	12 12VDC	5.18W/m	90	22-2200K , 24-2400K , 25-2500K 27-2700K , 30-3000K , 35-3500K 40-4000K , 50-5000K , 65-6500K	01 - Black&Red 22AWG 02 - Black&White 22AWG 03 - White PU protected 2 pin 04 - 3Pin cable for Tunable white	A - AMP male/female M - Molex male/female D - DC male/female	B - Through profile back E - Through Endcaps S - Through profile side
	B Black	O Opal	24 24VDC	6.00W/m	90+				
	S Silver	C Clear	36 36VDC	11.52W/m	95	22-2200K , 25-2500K , 27-2700K 30-3000K , 35-3500K , 40-4000K 50-5000K , 65-6500K			
			48 48VDC	14.40W/m	95+				
				21.60W/m		TW	Tunable White - check your executive sales		
				24.00W/m		D2W	Dim To Warm - check your executive sales		
				28.80W/m					

RECOMMENDED LIGHT SOURCE

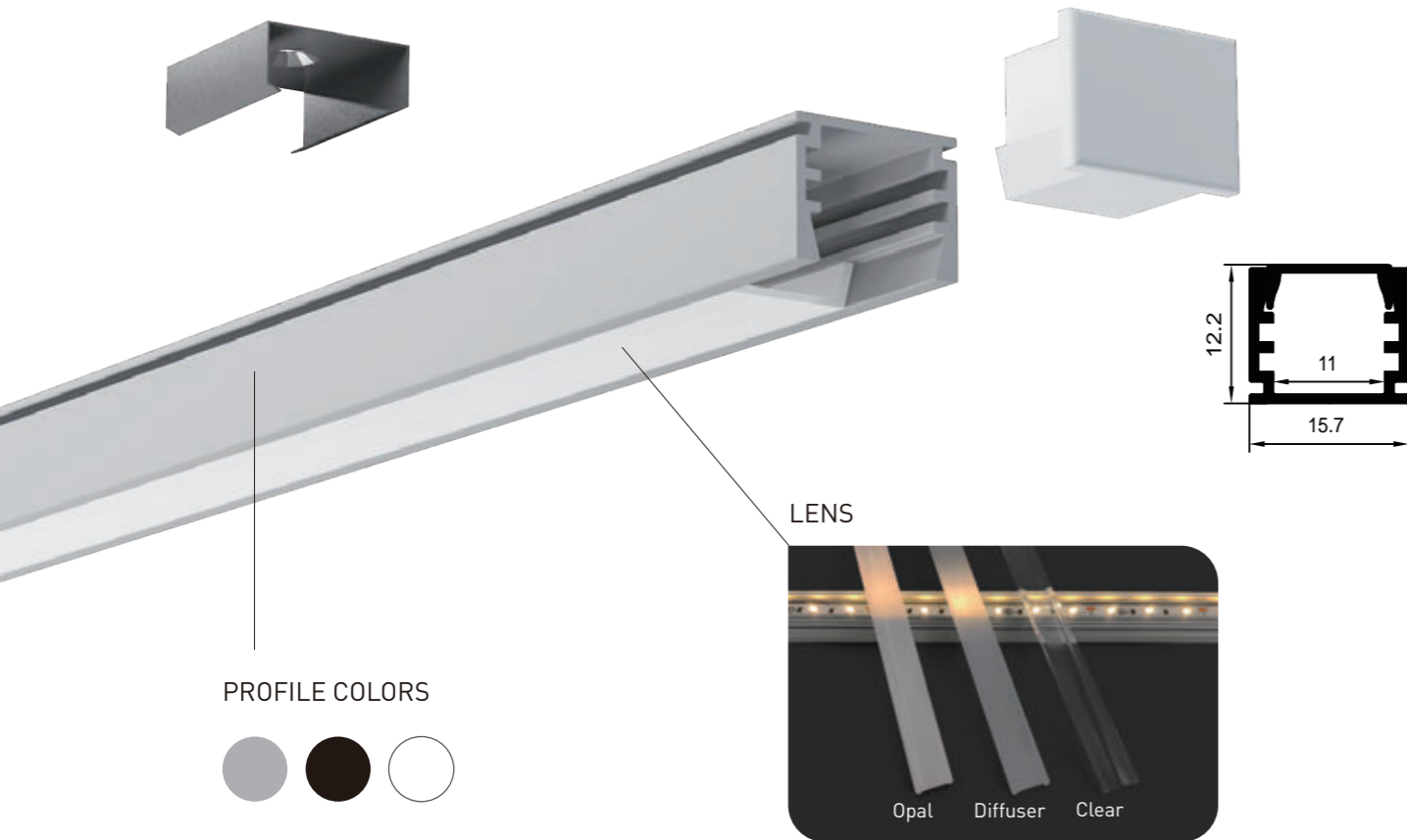
Performance	Part Code	Led Qty	Input Vol.	Power	CRI	Light Source Lumen	Diffuser Lens Lumen	Cuttable length	Max Run	Pcb Width
General	FN-2835T-120	120pcs/m	12/24VDC	14.40 W/m	90+	1512 lm/m	756 lm/m	12V=25mm 24V=50mm	12V=5m 24V=9m	10 mm
					95+	1282 lm/m	641 lm/m			
High Efficiency	FN-H2835T-128	128pcs/m	24VDC	11.52 W/m	90+	1613 lm/m	807 lm/m	24V=62.5mm	24V=6m	10 mm
					95+	1475 lm/m	738 lm/m			
	FN-H28350-160	160pcs/m	24VDC	24 W/m	90+	3480 lm/m	1932 lm/m	50mm	3m	10 mm
					95+	1987 lm/m	994 lm/m			
FN-H2835T-160	160pcs/m	24VDC	14.40 W/m	90+	1843 lm/m	922 lm/m	24V=50mm	24V=5m	10 mm	
				95+	1843 lm/m	922 lm/m				
FN-H28350-192	192pcs/m	24VDC	28.8 W/m	90+	4176 lm/m	2318 lm/m	41.7mm	2.5m	10 mm	
				95+	4176 lm/m	2318 lm/m				
Long Run	LN-H2835T-80	80pcs/m	36VDC	5.18W/m	90+	580 lm/m	290 lm/m	100mm	50m	10 mm
					95+	482 lm/m	241 lm/m			
	LN-H2835T-112	112pcs/m	48VDC	11.52 W/m	90+	1336 lm/m	668 lm/m	125mm	25m	10 mm
					95+	1106 lm/m	553 lm/m			
	LN-H2835T-120	120pcs/m	24VDC	6.00 W/m	90+	588 lm/m	294 lm/m	50mm	21m	10 mm
					95+	486 lm/m	243 lm/m			
Short Cut	FN-F2835A-120	120pcs/m	12VDC	21.60 W/m	90+	1922 lm/m	961 lm/m	16.7mm	3.5m	10 mm
					95+	1595 lm/m	798 lm/m			

Remark: 1. The tested data based on silver finish in 4000K, CRI 90+ light source. 2. LN-H2835T-80 is good for long run, but it will show light spot.



VERTICAL SURFACE MOUNTED SERIES

► SL1612E11



VERTICAL SURFACE MOUNTED SERIES

► SL1612E11

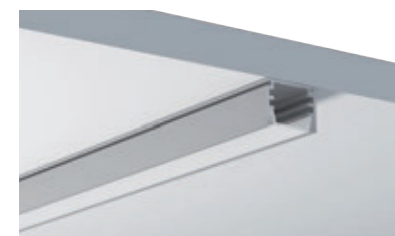
ORDERING CODE

Luminaire	Finish	Lens	Vol.	Power	CRI	CCT	Input Cable	Connector	Wiring
SL1612E11	W White	D Diffuser	12 12VDC	5.18W/m	90	22-2200K , 24-2400K , 25-2500K 27-2700K , 30-3000K , 35-3500K 40-4000K , 50-5000K , 65-6500K	01 - Black&Red 22AWG 02 - Black&White 22AWG 03 - White PU protected 2 pin 04 - 3Pin cable for Tunable white	A - AMP male/female M - Molex male/female D - DC male/female	B - Through profile back E - Through Endcaps S - Through profile side
	B Black	O Opal	24 24VDC	6.00W/m	90+				
	S Silver	C Clear	36 36VDC	11.52W/m	95	22-2200K , 25-2500K , 27-2700K 30-3000K , 35-3500K , 40-4000K 50-5000K , 65-6500K			
			48 48VDC	14.40W/m	95+				
				21.60W/m		TW	Tunable White - check your executive sales		
				24.00W/m		D2W	Dim To Warm - check your executive sales		
				28.80W/m					

RECOMMENDED LIGHT SOURCE

Performance	Part Code	Led Qty	Input Vol.	Power	CRI	Light Source Lumen	Diffuser Lens Lumen	Cuttable length	Max Run	Pcb Width
General	FN-2835T-120	120pcs/m	12/24VDC	14.40 W/m	90+	1512 lm/m	756 lm/m	12V=25mm 24V=50mm	12V=5m 24V=9m	10 mm
					95+	1282 lm/m	641 lm/m			
High Efficiency	FN-H2835T-128	128pcs/m	24VDC	11.52 W/m	90+	1613 lm/m	807 lm/m	24V=62.5mm	24V=6m	10 mm
					95+	1475 lm/m	738 lm/m			
	FN-H28350-160	160pcs/m	24VDC	24 W/m	90+	3480 lm/m	1932 lm/m	50mm	3m	10 mm
					95+	1987 lm/m	994 lm/m			
FN-H2835T-160	160pcs/m	24VDC	14.40 W/m	90+	1843 lm/m	922 lm/m	24V=50mm	24V=5m	10 mm	
				95+	1843 lm/m	922 lm/m				
FN-H28350-192	192pcs/m	24VDC	28.8 W/m	90+	4176 lm/m	2318 lm/m	41.7mm	2.5m	10 mm	
				95+	4176 lm/m	2318 lm/m				
Long Run	LN-H2835T-80	80pcs/m	36VDC	5.18W/m	90+	580 lm/m	290 lm/m	100mm	50m	10 mm
					95+	482 lm/m	241 lm/m			
	LN-H2835T-112	112pcs/m	48VDC	11.52 W/m	90+	1336 lm/m	668 lm/m	125mm	25m	10 mm
					95+	1106 lm/m	553 lm/m			
	LN-H2835T-120	120pcs/m	24VDC	6.00 W/m	90+	588 lm/m	294 lm/m	50mm	21m	10 mm
					95+	486 lm/m	243 lm/m			
Short Cut	FN-F2835A-120	120pcs/m	12VDC	21.60 W/m	90+	1922 lm/m	961 lm/m	16.7mm	3.5m	10 mm
					95+	1595 lm/m	798 lm/m			

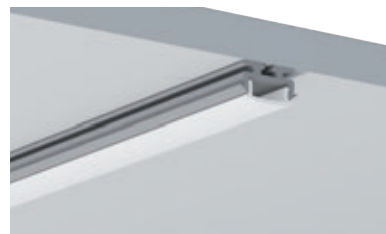
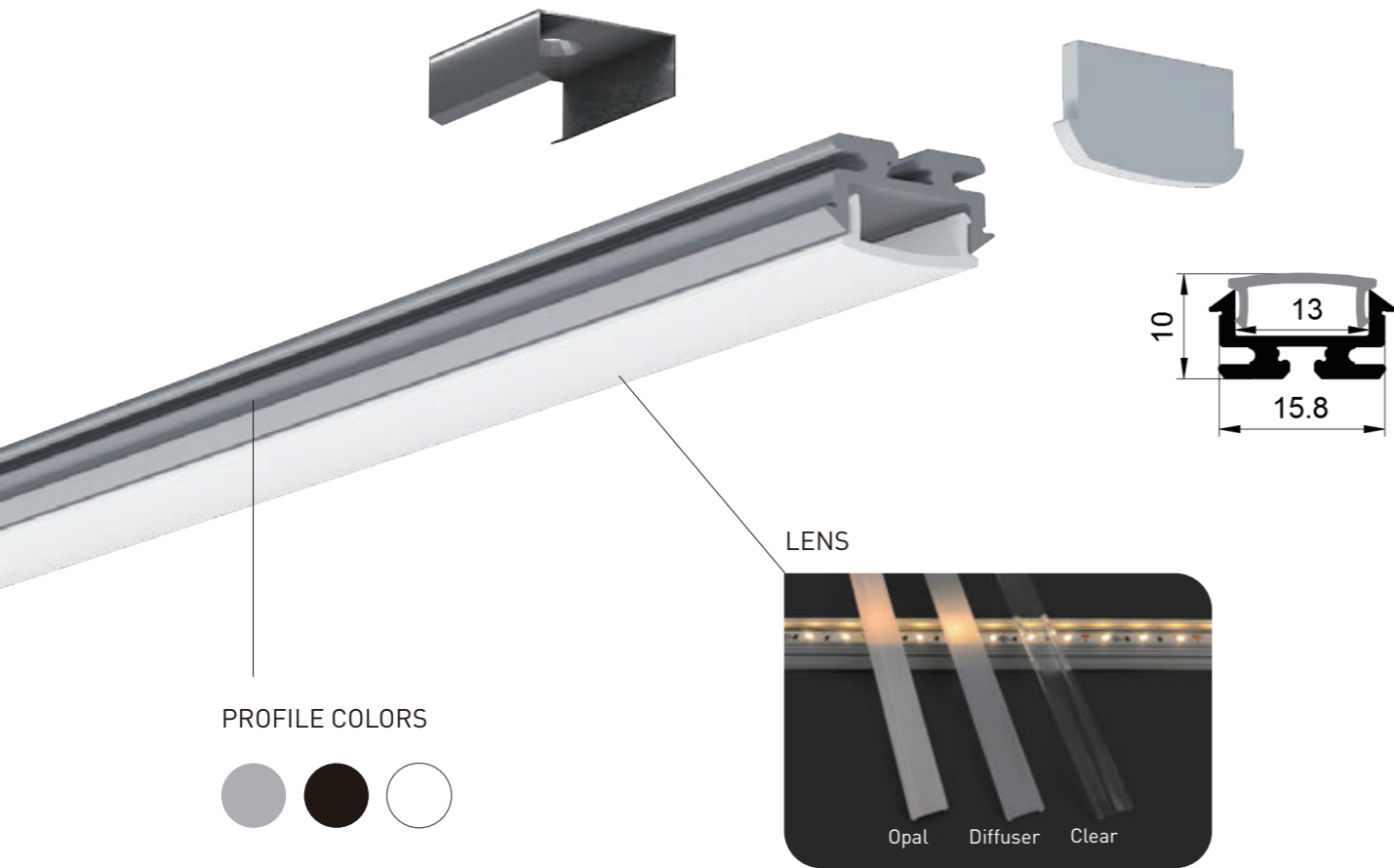
Remark: 1. The tested data based on silver finish in 4000K, CRI 90+ light source. 2. LN-H2835T-80 is good for long run, but it will show light spot.



Installation: Vertical Surface Mounted
 Length Available: 1-3m
 Profile Color: Silver, Black Anodized, White Powder Coating
 Lens: Opal, Diffuser, Clear
 Input Cable: Endcaps, Profile Bottom, Profile Sides
 Quick Female/Male Connectors Input cable & Junction Box available

VERTICAL SURFACE MOUNTED SERIES

► SL1815B12



Installation: Vertical Surface Mounted
 Length Available: 1-3m
 Profile Color: Silver, Black Anodized, White Powder Coating
 Lens: Opal, Diffuser, Clear
 Input Cable: Endcaps, Profile Bottom, Profile Sides
 Quick Female/Male Connectors Input cable & Junction Box available

VERTICAL SURFACE MOUNTED SERIES

► SL1815B12

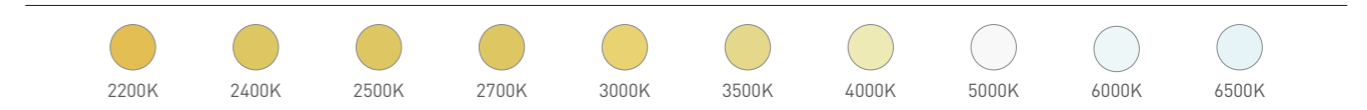
ORDERING CODE

Luminaire	Finish	Lens	Vol.	Power	CRI	CCT	Input Cable	Connector	Wiring
SL1815B12	W White	D Diffuser	24 24VDC	16.42W/m	90 90+	22-2200K , 24-2400K 25-2500K , 27-2700K 30-3000K , 35-3500K 40-4000K , 50-5000K 65-6500K	01 - Black&Red 22AWG 02 - Black&White 22AWG 03 - White PU protected 2 pin 04 - 3Pin cable for Tunable white	A - AMP male/female M - Molex male/female D - DC male/female	B - Through profile back E - Through Endcaps S - Through profile side
	B Black	O Opal							
	S Silver	C Clear							
					TW	Tunable White - check your executive sales			
					D2W	Dim To Warm - check your executive sales			

RECOMMENDED LIGHT SOURCE

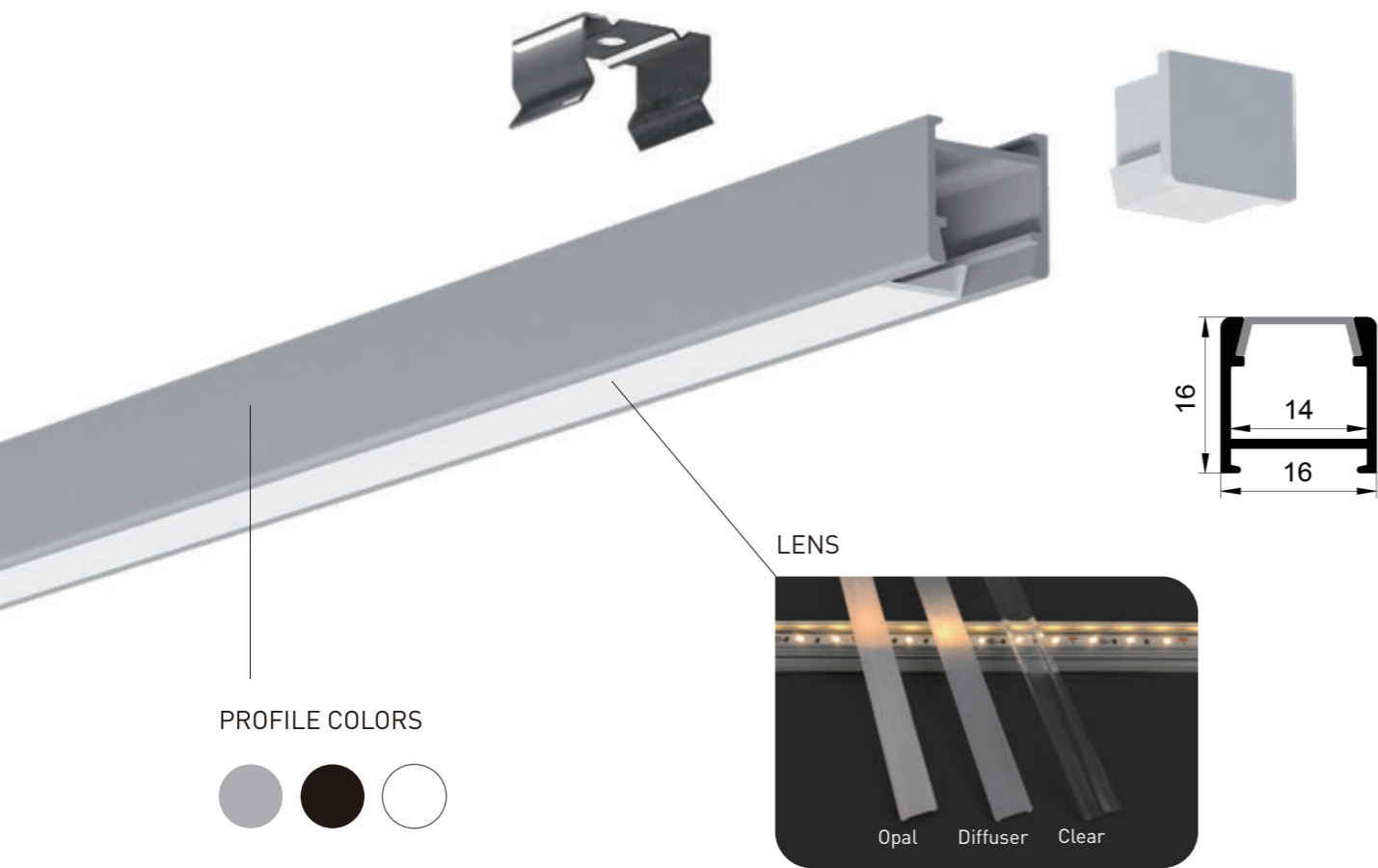
Performance	Part Code	Led Qty	Input Vol.	Power	CRI	Light Source Lumen	Diffuser Lens Lumen	Cutttable length	Max Run	Pcb Width
General	FN-2016-266	266pcs/m	24VDC	16.42W/m	90+	1700 lm/m	1326 lm/m	26.3mm	3m	10mm

Remark: The tested data based on silver finish in 4000K, CRI 90+ light source.



VERTICAL SURFACE MOUNTED SERIES

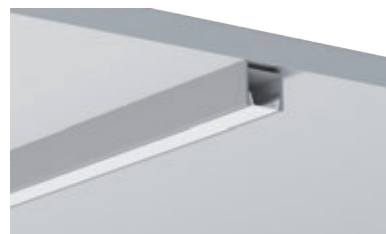
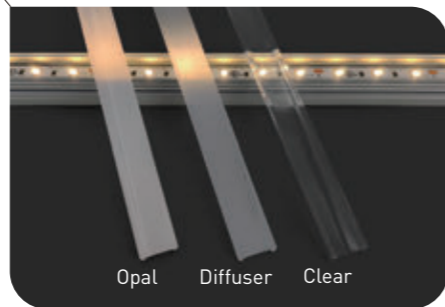
► SL1616R14



PROFILE COLORS



LENS



Installation: Vertical Surface Mounted
 Length Available: 1-3m
 Profile Color: Silver, Black Anodized, White Powder Coating
 Lens: Opal, Diffuser, Clear
 Input Cable: Endcaps, Profile Bottom, Profile Sides
 Quick Female/Male Connectors Input cable & Junction Box available

VERTICAL SURFACE MOUNTED SERIES

► SL1616R14

ORDERING CODE

Luminaire	Finish	Lens	Vol.	Power	CRI	CCT	Input Cable	Connector	Wiring
SL1616R14	W White	D Diffuser	12 12VDC	5.18W/m	90 90+	22-2200K, 24-2400K, 25-2500K 27-2700K, 30-3000K, 35-3500K 40-4000K, 50-5000K, 65-6500K	01 - Black&Red 22AWG 02 - Black&White 22AWG 03 - White PU protected 2 pin 04 - 3Pin cable for Tunable white	A - AMP male/female M - Molex male/female D - DC male/female	B - Through profile back E - Through Endcaps S - Through profile side
	B Black	O Opal	24 24VDC	11.52W/m					
	S Silver	C Clear	36 36VDC	14.40W/m					
			48 48VDC	21.60W/m 24.00W/m 28.80W/m					
					TW	Tunable White - check your executive sales			
					D2W	Dim To Warm - check your executive sales			

RECOMMENDED LIGHT SOURCE

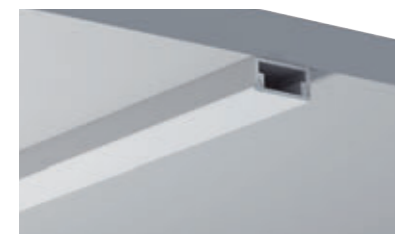
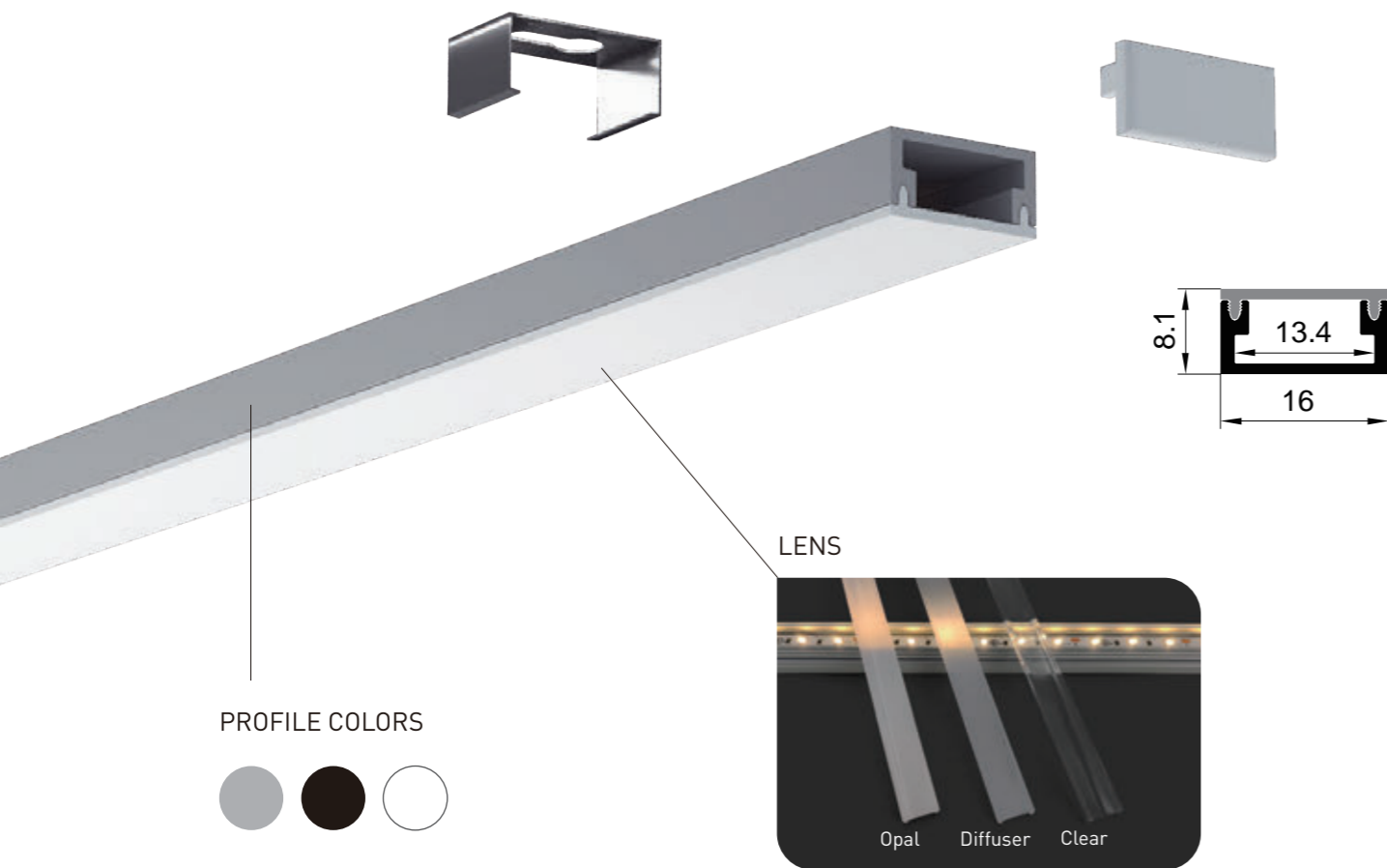
Performance	Part Code	Led Qty	Input Vol.	Power	CRI	Light Source Lumen	Diffuser Lens Lumen	Cutttable length	Max Run	Pcb Width
General	FN-2835T-120	120pcs/m	12/24VDC	14.40 W/m	90+	1512 lm/m	680lm/m	12V=25mm 24V=50mm	12V=5m 24V=9m	10 mm
					95+	1282 lm/m	577lm/m			
High Efficiency	FN-H2835T-128	128pcs/m	24VDC	11.52 W/m	90+	1613 lm/m	726lm/m	24V=62.5mm	24V=6m	10 mm
					95+	1475 lm/m	664lm/m			
	FN-H28350-160	160pcs/m	24VDC	24 W/m	90+	3480 lm/m	1739lm/m	50mm	3m	10 mm
					95+	1987 lm/m	894lm/m			
FN-H2835T-160	160pcs/m	24VDC	14.40 W/m	90+	1843 lm/m	829lm/m	24V=50mm	24V=5m	10 mm	
				95+	1843 lm/m	829lm/m				
FN-H28350-192	192pcs/m	24VDC	28.8 W/m	90+	4176 lm/m	2086lm/m	41.7mm	2.5m	10 mm	
				95+	4176 lm/m	2086lm/m				
Long Run	LN-H2835T-80	80pcs/m	36VDC	5.18W/m	90+	580 lm/m	261lm/m	100mm	50m	10 mm
					95+	482 lm/m	217lm/m			
	LN-H2835T-112	112pcs/m	48VDC	11.52 W/m	90+	1336 lm/m	601lm/m	125mm	25m	10 mm
95+					1106 lm/m	498lm/m				
LN-H2835T-120	120pcs/m	24VDC	6.00 W/m	90+	588 lm/m	265lm/m	50mm	21m	10 mm	
				95+	486 lm/m	219lm/m				
Short Cut	FN-F2835A-120	120pcs/m	12VDC	21.60 W/m	90+	1922 lm/m	865lm/m	16.7mm	3.5m	10 mm
					95+	1595 lm/m	718lm/m			

Remark: 1. The tested data based on silver finish in 4000K, CRI 90+ light source. 2. LN-H2835T-80 is good for long run, but it will show light spot.



VERTICAL SURFACE MOUNTED SERIES

► SL160813



Installation: Vertical Surface Mounted
 Length Available: 1-3m
 Profile Color: Silver, Black Anodized, White Powder Coating
 Lens: Opal, Diffuser, Clear
 Input Cable: Endcaps, Profile Bottom, Profile Sides
 Quick Female/Male Connectors Input cable & Junction Box available

VERTICAL SURFACE MOUNTED SERIES

► SL160813

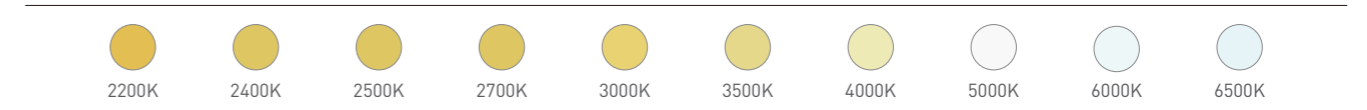
ORDERING CODE

Luminaire	Finish	Lens	Vol.	Power	CRI	CCT	Input Cable	Connector	Wiring
SL160813	W White	D Diffuser	24 24VDC	12.96W/m 17.28W/m	90 90+	22-2200K , 24-2400K 25-2500K , 27-2700K 30-3000K , 35-3500K 40-4000K , 50-5000K 65-6500K	01 - Black&Red 22AWG 02 - Black&White 22AWG 03 - White PU protected 2 pin 04 - 3Pin cable for Tunable white	A - AMP male/female M - Molex male/female D - DC male/female	B - Through profile back E - Through Endcaps S - Through profile side
	B Black	O Opal							
	S Silver	C Clear							
					TW	Tunable White - check your executive sales			
					D2W	Dim To Warm - check your executive sales			

RECOMMENDED LIGHT SOURCE

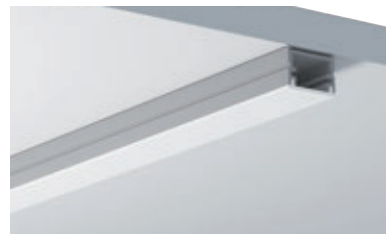
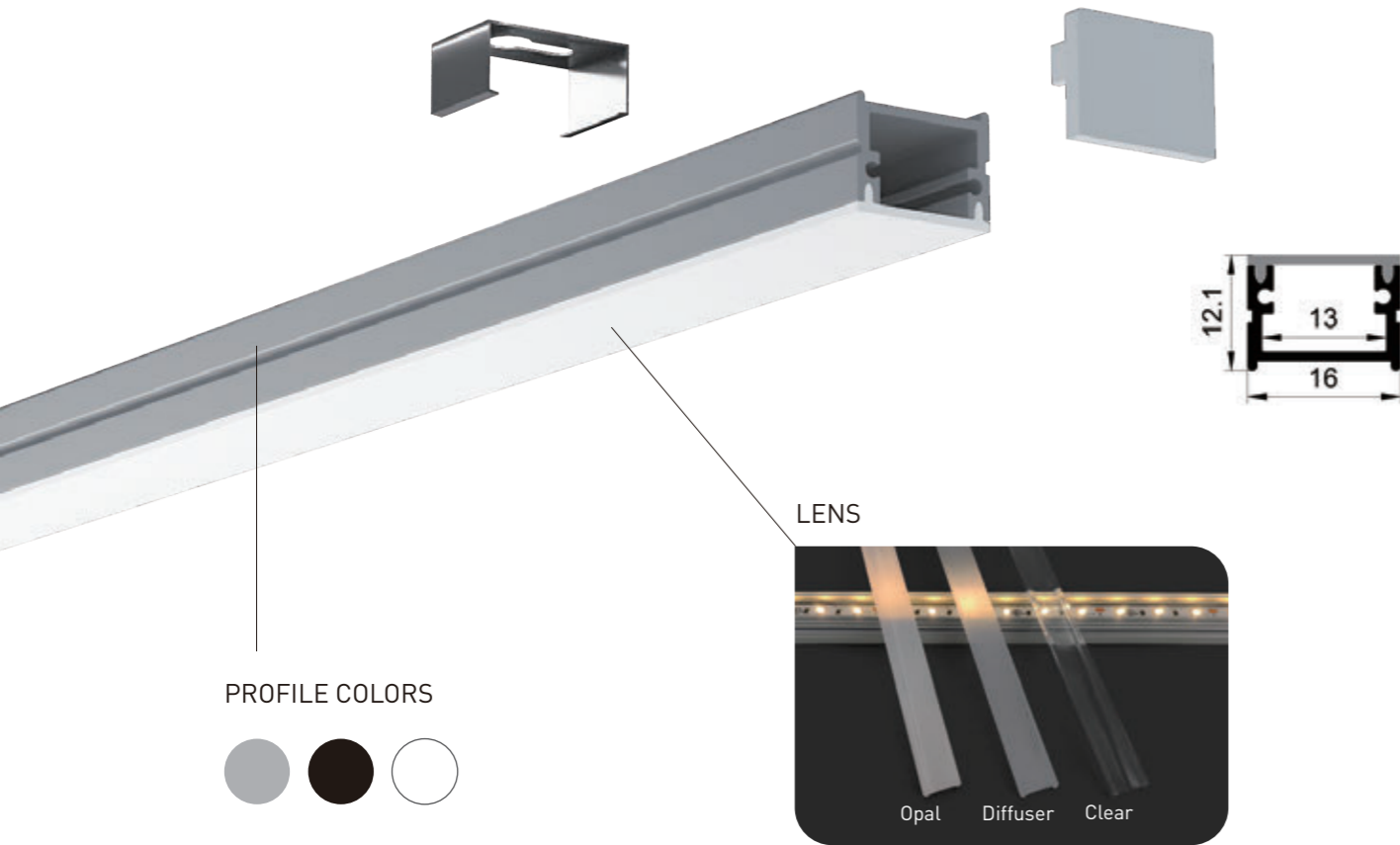
Part Code	Led Qty	Input Vol.	Power	CRI	Light Source Lumen	Diffuser Lens Lumen	Cutttable length	Max Run	Pcb Width
FN-2016-180	180pcs/m	24VDC	12.96W/m	90+	1000 lm/m	780 lm/m	33mm	3m	10mm
FN-2016-240	240pcs/m		17.28W/m	90+	1300 lm/m	1014 lm/m	25mm		

Remark: The tested data based on silver finish in 4000K, CRI 90+ light source.



VERTICAL SURFACE MOUNTED SERIES

► SL161313



Installation: Vertical Surface Mounted
 Length Available: 1-3m
 Profile Color: Silver, Black Anodized, White Powder Coating
 Lens: Opal, Diffuser, Clear
 Input Cable: Endcaps, Profile Bottom, Profile Sides
 Quick Female/Male Connectors Input cable & Junction Box available

VERTICAL SURFACE MOUNTED SERIES

► SL161313

ORDERING CODE

Luminaire	Finish	Lens	Vol.	Power	CRI	CCT	Input Cable	Connector	Wiring
SL161313	W White	D Diffuser	12 12VDC	5.18W/m	90	22-2200K , 24-2400K , 25-2500K 27-2700K , 30-3000K , 35-3500K 40-4000K , 50-5000K , 65-6500K	01 - Black&Red 22AWG 02 - Black&White 22AWG 03 - White PU protected 2 pin 04 - 3Pin cable for Tunable white	A - AMP male/female M - Molex male/female D - DC male/female	B - Through profile back E - Through Endcaps S - Through profile side
	B Black	O Opal	24 24VDC	6.00W/m	90+				
	S Silver	C Clear	36 36VDC	11.52W/m	95	22-2200K , 25-2500K , 27-2700K 30-3000K , 35-3500K , 40-4000K 50-5000K , 65-6500K			
			48 48VDC	14.40W/m	95+				
				21.60W/m		TW	Tunable White - check your executive sales		
				24.00W/m					
				28.80W/m		D2W	Dim To Warm - check your executive sales		

RECOMMENDED LIGHT SOURCE

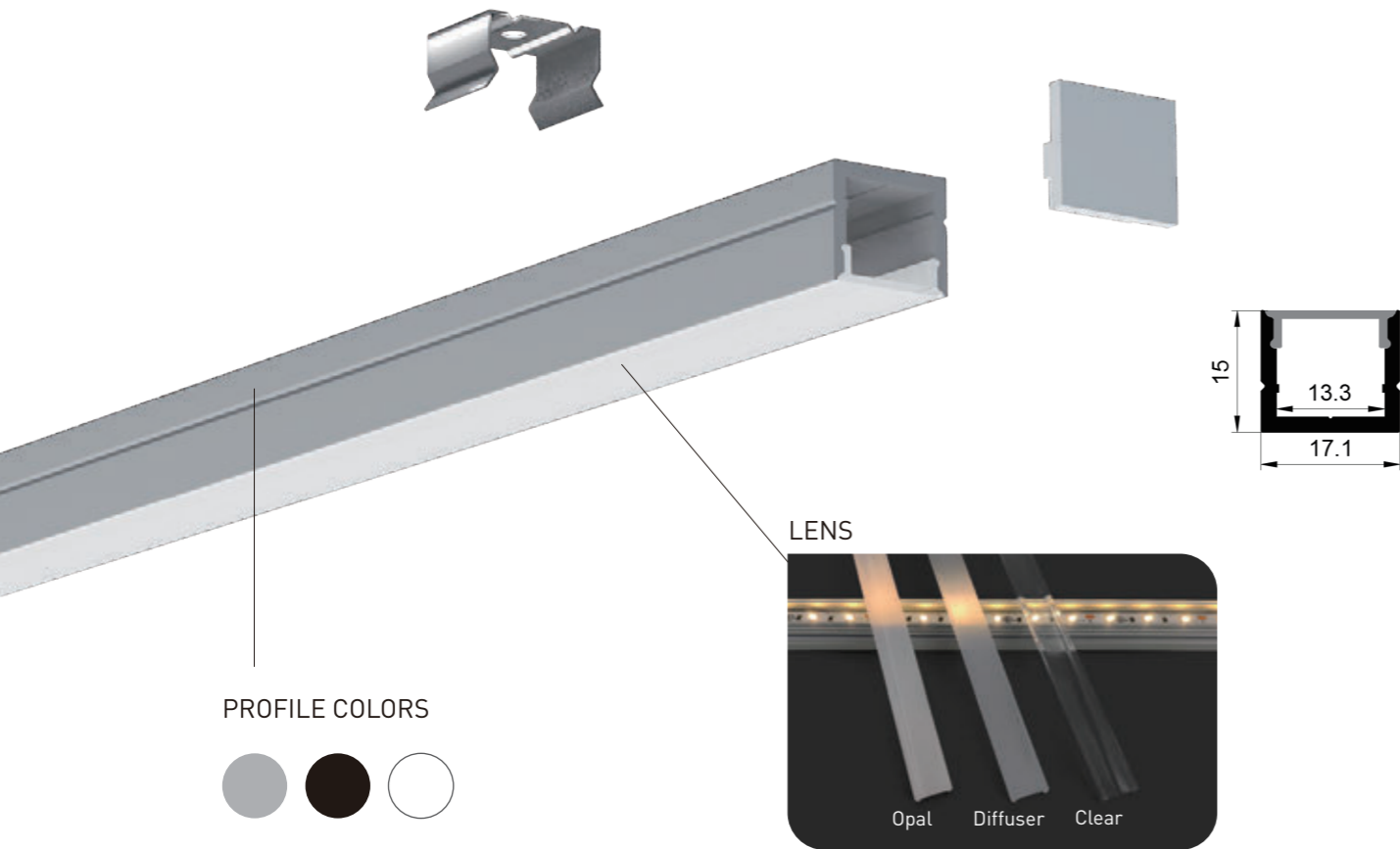
Performance	Part Code	Led Qty	Input Vol.	Power	CRI	Light Source Lumen	Diffuser Lens Lumen	Cuttable length	Max Run	Pcb Width
General	FN-2835T-120	120pcs/m	12/24VDC	14.40 W/m	90+	1512 lm/m	680lm/m	12V=25mm 24V=50mm	12V=5m 24V=9m	10 mm
					95+	1282 lm/m	577lm/m			
High Efficiency	FN-H2835T-128	128pcs/m	24VDC	11.52 W/m	90+	1613 lm/m	726lm/m	24V=62.5mm	24V=6m	10 mm
				95+	1475 lm/m	664lm/m				
	FN-H28350-160	160pcs/m	24VDC	24 W/m	90+	3480 lm/m	1739lm/m	50mm	3m	10 mm
	FN-H2835T-160	160pcs/m	24VDC	14.40 W/m	90+	1987 lm/m	894lm/m	24V=50mm	24V=5m	10 mm
			95+	1843 lm/m	829lm/m					
	FN-H28350-192	192pcs/m	24VDC	28.8 W/m	90+	4176 lm/m	2086lm/m	41.7mm	2.5m	10 mm
Long Run	LN-H2835T-80	80pcs/m	36VDC	5.18W/m	90+	580 lm/m	261lm/m	100mm	50m	10 mm
				95+	482 lm/m	217lm/m				
	LN-H2835T-112	112pcs/m	48VDC	11.52 W/m	90+	1336 lm/m	601lm/m	125mm	25m	10 mm
			95+	1106 lm/m	498lm/m					
	LN-H2835T-120	120pcs/m	24VDC	6.00 W/m	90+	588 lm/m	265lm/m	50mm	21m	10 mm
				95+	486 lm/m	219lm/m				
Short Cut	FN-F2835A-120	120pcs/m	12VDC	21.60 W/m	90+	1922 lm/m	865lm/m	16.7mm	3.5m	10 mm
					95+	1595 lm/m	718lm/m			

Remark: 1. The tested data based on silver finish in 4000K, CRI 90+ light source. 2. LN-H2835T-80 is good for long run, but it will show light spot.



VERTICAL SURFACE MOUNTED SERIES

► SL171613



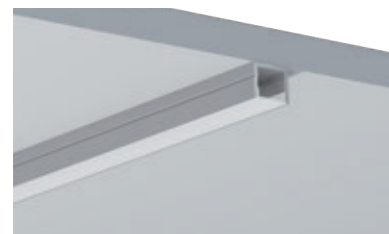
PROFILE COLORS



ACCESSORIES



Rotating Bracket



Installation: Vertical Surface Mounted
 Length Available: 1-3m
 Profile Color: Silver, Black Anodized, White Powder Coating
 Lens: Opal, Diffuser, Clear
 Input Cable: Endcaps, Profile Bottom, Profile Sides
 Quick Female/Male Connectors Input cable & Junction Box available

VERTICAL SURFACE MOUNTED SERIES

► SL171613

ORDERING CODE

Luminaire	Finish	LENS	Vol.	Power	CRI	CCT	Input Cable	Connector	Wiring
SL171613	W White	D Diffuser	12 12VDC	5.18W/m	90 90+	22-2200K, 24-2400K, 25-2500K 27-2700K, 30-3000K, 35-3500K 40-4000K, 50-5000K, 65-6500K	01 - Black&Red 22AWG 02 - Black&White 22AWG 03 - White PU protected 2 pin 04 - 3Pin cable for Tunable white	A - AMP male/female M - Molex male/female D - DC male/female	B - Through profile back E - Through Endcaps S - Through profile side
	B Black	O Opal	24 24VDC	11.52W/m	95 95+	22-2200K, 25-2500K, 27-2700K 30-3000K, 35-3500K, 40-4000K 50-5000K, 65-6500K			
	S Silver	C Clear	36 36VDC	14.40W/m	TW	Tunable White - check your executive sales			
			48 48VDC	21.60W/m 24.00W/m 28.80W/m	D2W	Dim To Warm - check your executive sales			

RECOMMENDED LIGHT SOURCE

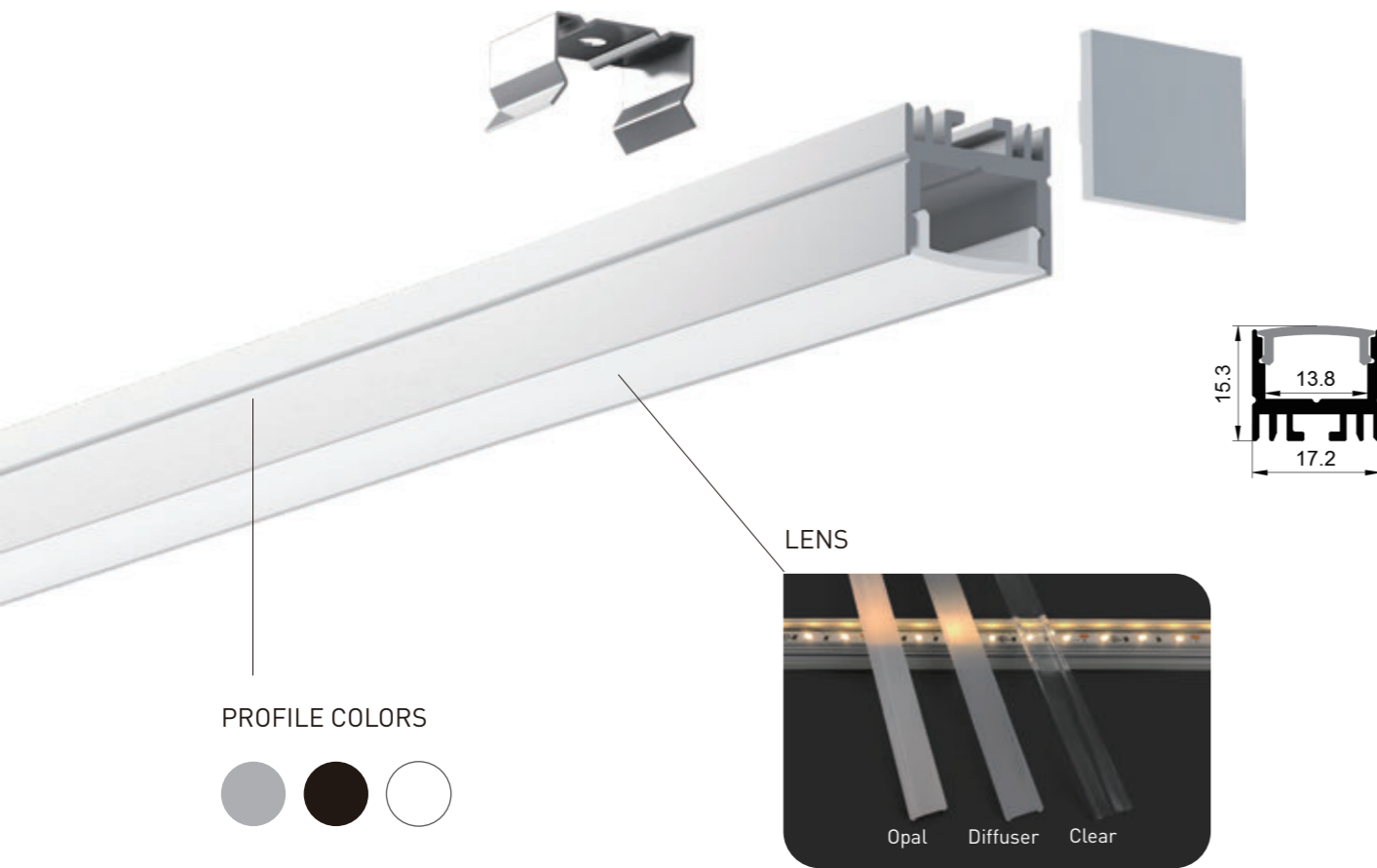
Performance	Part Code	Led Qty	Input Vol.	Power	CRI	Light Source Lumen	Diffuser Lens Lumen	Cuttable length	Max Run	Pcb Width
General	FN-2835T-120	120pcs/m	12/24VDC	14.40 W/m	90+	1512 lm/m	680lm/m	12V=25mm 24V=50mm	12V=5m 24V=9m	10 mm
					95+	1282 lm/m	577lm/m			
High Efficiency	FN-H2835T-128	128pcs/m	24VDC	11.52 W/m	90+	1613 lm/m	726lm/m	24V=62.5mm	24V=6m	10 mm
					95+	1475 lm/m	664lm/m			
	FN-H28350-160	160pcs/m	24VDC	24 W/m	90+	3480 lm/m	1739lm/m	50mm	3m	10 mm
					95+	1987 lm/m	894lm/m			
						1843 lm/m	829lm/m			
FN-H28350-192	192pcs/m	24VDC	28.8 W/m	90+	4176 lm/m	2086lm/m	41.7mm	2.5m	10 mm	
Long Run	LN-H2835T-80	80pcs/m	36VDC	5.18W/m	90+	580 lm/m	261lm/m	100mm	50m	10 mm
					95+	482 lm/m	217lm/m			
	LN-H2835T-112	112pcs/m	48VDC	11.52 W/m	90+	1336 lm/m	601lm/m	125mm	25m	10 mm
					95+	1106 lm/m	498lm/m			
	LN-H2835T-120	120pcs/m	24VDC	6.00 W/m	90+	588 lm/m	265lm/m	50mm	21m	10 mm
					95+	486 lm/m	219lm/m			
Short Cut	FN-F2835A-120	120pcs/m	12VDC	21.60 W/m	90+	1922 lm/m	865lm/m	16.7mm	3.5m	10 mm
					95+	1595 lm/m	718lm/m			

Remark: 1. The tested data based on silver finish in 4000K, CRI 90+ light source. 2. LN-H2835T-80 is good for long run, but it will show light spot.



VERTICAL SURFACE MOUNTED SERIES

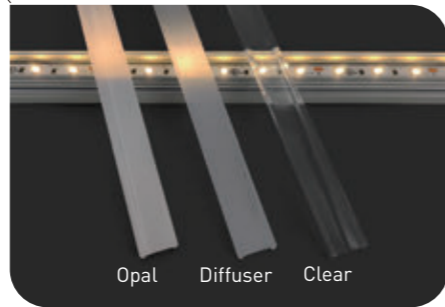
► SL1715D13



PROFILE COLORS



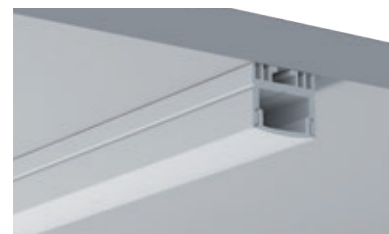
LENS



ACCESSORIES



Rotating Bracket



Installation: Vertical Surface Mounted
 Length Available: 1-3m
 Profile Color: Silver, Black Anodized, White Powder Coating
 Lens: Opal, Diffuser, Clear
 Input Cable: Endcaps, Profile Bottom, Profile Sides
 Quick Female/Male Connectors Input cable & Junction Box available

VERTICAL SURFACE MOUNTED SERIES

► SL1715D13

ORDERING CODE

Luminaire	Finish	Lens	Vol.	Power	CRI	CCT	Input Cable	Connector	Wiring
SL1715D13	W White	D Diffuser	12 12VDC	5.18W/m	90	22-2200K, 24-2400K, 25-2500K 27-2700K, 30-3000K, 35-3500K 40-4000K, 50-5000K, 65-6500K	01 - Black&Red 22AWG 02 - Black&White 22AWG 03 - White PU protected 2 pin 04 - 3Pin cable for Tunable white	A - AMP male/female M - Molex male/female D - DC male/female	B - Through profile back E - Through Endcaps S - Through profile side
	B Black	O Opal	24 24VDC	6.00W/m	90+				
	S Silver	C Clear	36 36VDC	11.52W/m	95	22-2200K, 25-2500K, 27-2700K 30-3000K, 35-3500K, 40-4000K 50-5000K, 65-6500K			
			48 48VDC	14.40W/m	95+				
				21.60W/m					
				24.00W/m					
				28.80W/m					
					TW	Tunable White - check your executive sales			
					D2W	Dim To Warm - check your executive sales			

RECOMMENDED LIGHT SOURCE

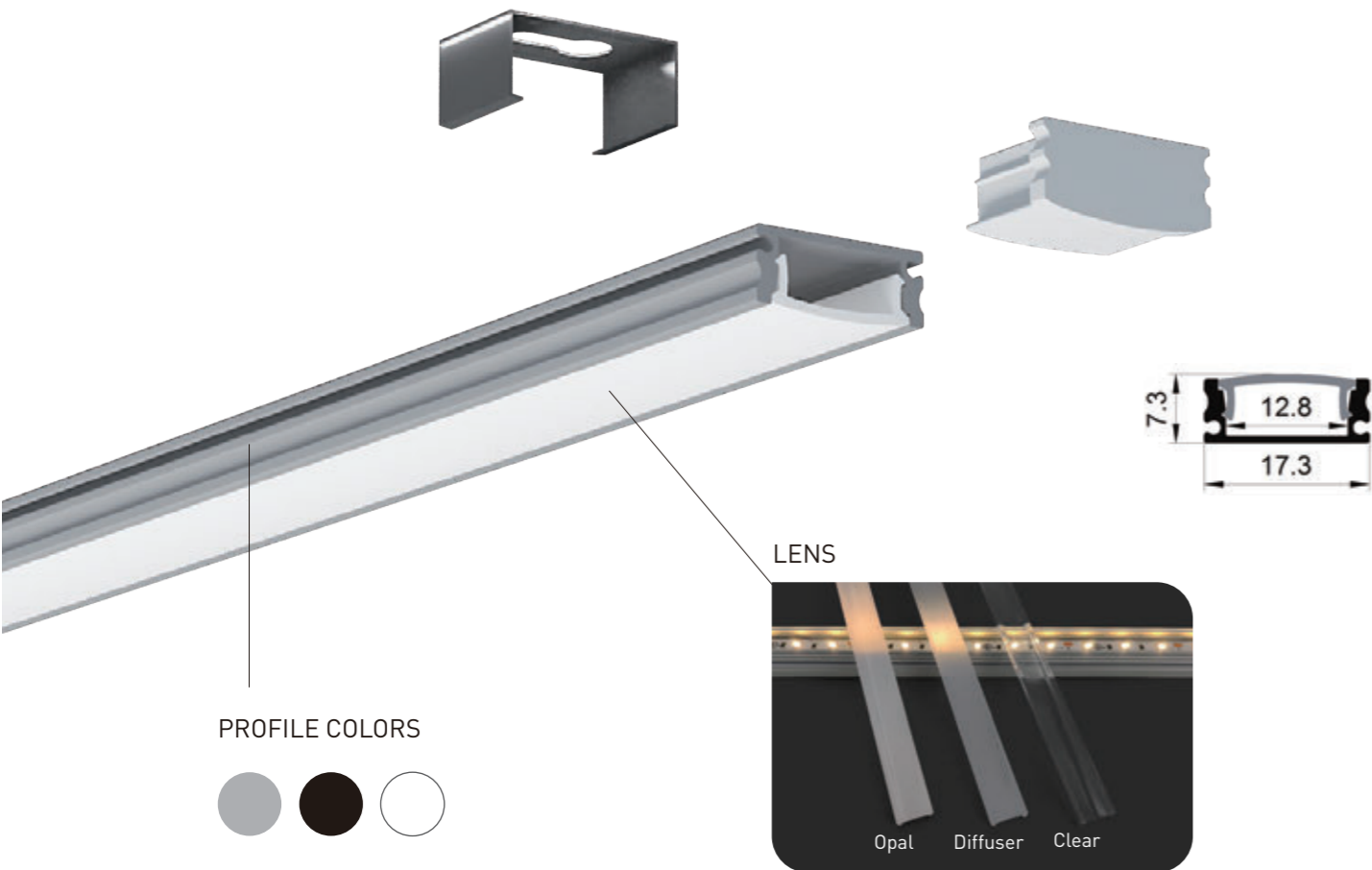
Performance	Part Code	Led Qty	Input Vol.	Power	CRI	Light Source Lumen	Diffuser Lens Lumen	Cuttable length	Max Run	Pcb Width
General	FN-2835T-120	120pcs/m	12/24VDC	14.40 W/m	90+	1512 lm/m	756lm/m	12V=25mm 24V=50mm	12V=5m 24V=9m	10 mm
					95+	1282 lm/m	641lm/m			
High Efficiency	FN-H2835T-128	128pcs/m	24VDC	11.52 W/m	90+	1613 lm/m	807lm/m	24V=62.5mm	24V=6m	10 mm
					95+	1475 lm/m	738lm/m			
	FN-H28350-160	160pcs/m	24VDC	24 W/m	90+	3480 lm/m	1932lm/m	50mm	3m	10 mm
					90+	1987 lm/m	994lm/m			
					95+	1843 lm/m	922lm/m			
FN-H28350-192	192pcs/m	24VDC	28.8 W/m	90+	4176 lm/m	2318lm/m	41.7mm	2.5m	10 mm	
Long Run	LN-H2835T-80	80pcs/m	36VDC	5.18W/m	90+	580 lm/m	290lm/m	100mm	50m	10 mm
					95+	482 lm/m	241lm/m			
	LN-H2835T-112	112pcs/m	48VDC	11.52 W/m	90+	1336 lm/m	668lm/m	125mm	25m	10 mm
					95+	1106 lm/m	553lm/m			
	LN-H2835T-120	120pcs/m	24VDC	6.00 W/m	90+	588 lm/m	294lm/m	50mm	21m	10 mm
					95+	486 lm/m	243lm/m			
Short Cut	FN-F2835A-120	120pcs/m	12VDC	21.60 W/m	90+	1922 lm/m	961lm/m	16.7mm	3.5m	10 mm
					95+	1595 lm/m	798lm/m			

Remark: 1. The tested data based on silver finish in 4000K, CRI 90+ light source. 2. LN-H2835T-80 is good for long run, but it will show light spot.



VERTICAL SURFACE MOUNTED SERIES

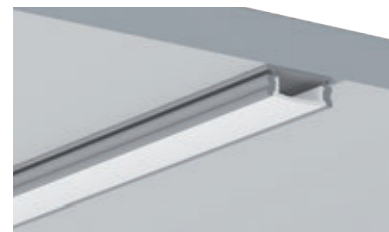
► SL1707C12



ACCESSORIES



Rotating Bracket



Installation: Vertical Surface Mounted
 Length Available: 1-3m
 Profile Color: Silver, Black Anodized, White Powder Coating
 Lens: Opal, Diffuser, Clear
 Input Cable: Endcaps, Profile Bottom, Profile Sides
 Quick Female/Male Connectors Input cable & Junction Box available

VERTICAL SURFACE MOUNTED SERIES

► SL1707C12

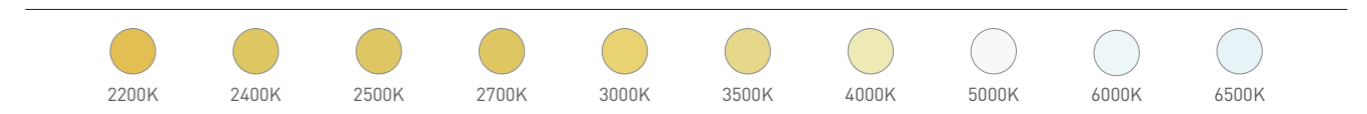
ORDERING CODE

Luminaire	Finish	Lens	Vol.	Power	CRI	CCT	Input Cable	Connector	Wiring
SL1707C12	W White	D Diffuser	24 24VDC	12.96W/m 17.28W/m	90 90+	22-2200K , 24-2400K 25-2500K , 27-2700K 30-3000K , 35-3500K 40-4000K , 50-5000K 65-6500K	01 - Black&Red 22AWG 02 - Black&White 22AWG 03 - White PU protected 2 pin 04 - 3Pin cable for Tunable white	A - AMP male/female M - Molex male/female D - DC male/female	B - Through profile back E - Through Endcaps S - Through profile side
	B Black	O Opal							
	S Silver	C Clear							
					TW	Tunable White - check your executive sales			
					D2W	Dim To Warm - check your executive sales			

RECOMMENDED LIGHT SOURCE

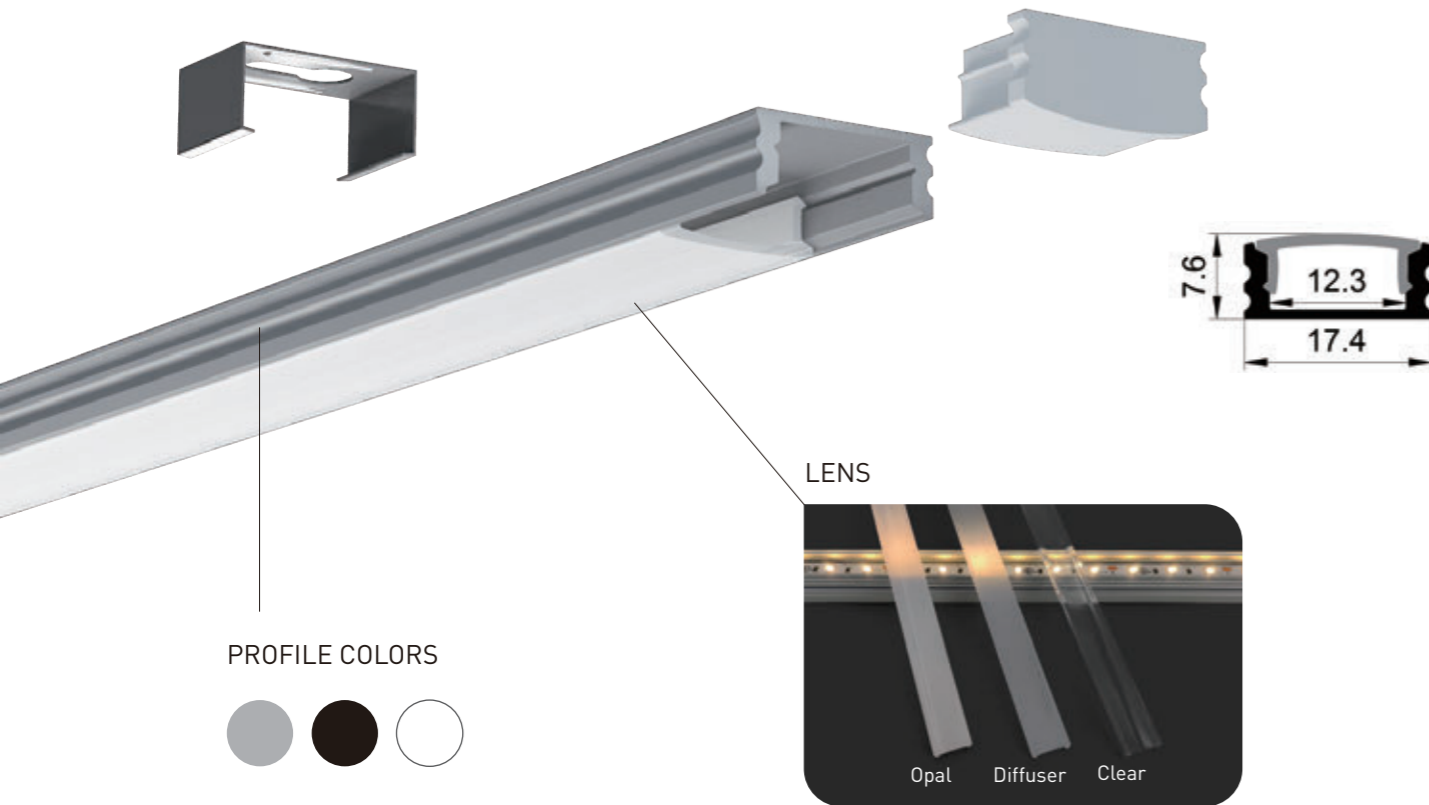
Part Code	Led Qty	Input Vol.	Power	CRI	Light Source Lumen	Diffuser Lens Lumen	Cutttable length	Max Run	Pcb Width
FN-2016-180	180pcs/m	24VDC	12.96W/m	90+	1000 lm/m	780 lm/m	33mm	3m	10mm
FN-2016-240	240pcs/m		17.28W/m	90+	1300 lm/m	1014 lm/m	25mm		

Remark: The tested data based on silver finish in 4000K, CRI 90+ light source.



VERTICAL SURFACE MOUNTED SERIES

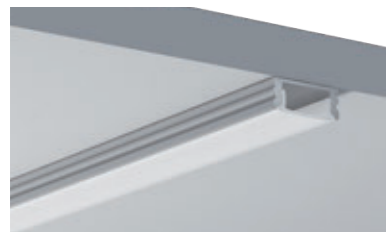
► SL170712



PROFILE COLORS



ACCESSORIES



Installation: Vertical Surface Mounted
 Length Available: 1-3m
 Profile Color: Silver, Black Anodized, White Powder Coating
 Lens: Opal, Diffuser, Clear
 Input Cable: Endcaps, Profile Bottom, Profile Sides
 Quick Female/Male Connectors Input cable & Junction Box available

VERTICAL SURFACE MOUNTED SERIES

► SL170712

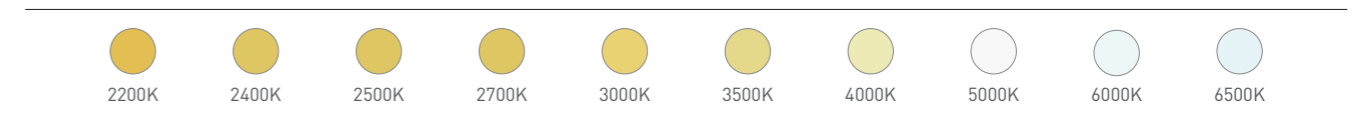
ORDERING CODE

Luminaire	Finish	Lens	Vol.	Power	CRI	CCT	Input Cable	Connector	Wiring
SL170712	W White	D Diffuser	24 24VDC	12.96W/m 17.28W/m	90 90+	22-2200K , 24-2400K 25-2500K , 27-2700K 30-3000K , 35-3500K 40-4000K , 50-5000K 65-6500K	01 - Black&Red 22AWG 02 - Black&White 22AWG 03 - White PU protected 2 pin 04 - 3Pin cable for Tunable white	A - AMP male/female M - Molex male/female D - DC male/female	B - Through profile back E - Through Endcaps S - Through profile side
	B Black	O Opal							
	S Silver	C Clear							
	TW	Tunable White - check your executive sales							
D2W	Dim To Warm - check your executive sales								

RECOMMENDED LIGHT SOURCE

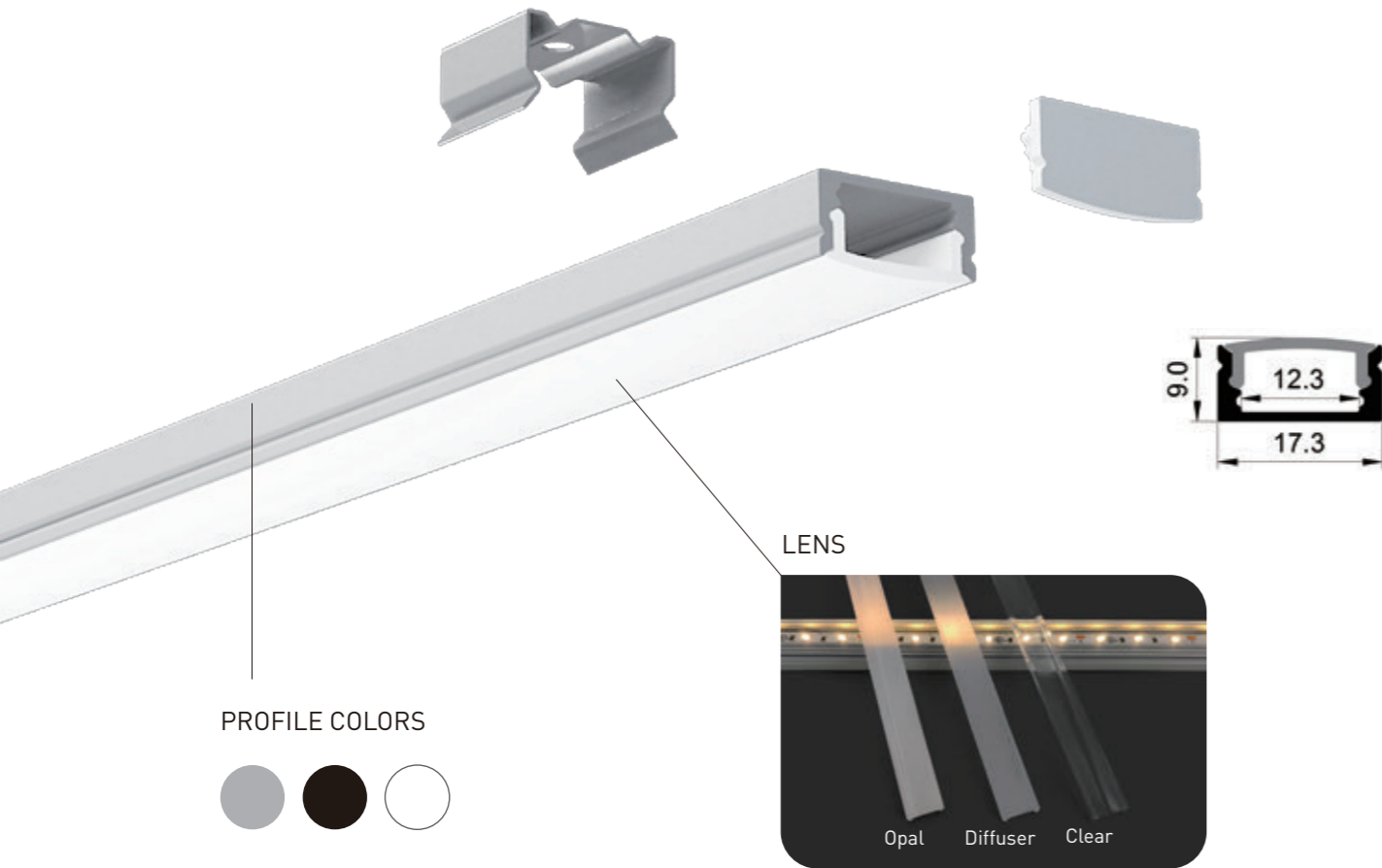
Part Code	Led Qty	Input Vol.	Power	CRI	Light Source Lumen	Diffuser Lens Lumen	Cutttable length	Max Run	Pcb Width
FN-2016-180	180pcs/m	24VDC	12.96W/m	90+	1000 lm/m	780 lm/m	33mm	3m	10mm
FN-2016-240	240pcs/m		17.28W/m	90+	1300 lm/m	1014 lm/m	25mm		

Remark: The tested data based on silver finish in 4000K, CRI 90+ light source.



VERTICAL SURFACE MOUNTED SERIES

► SL1707D12



VERTICAL SURFACE MOUNTED SERIES

► SL1707D12

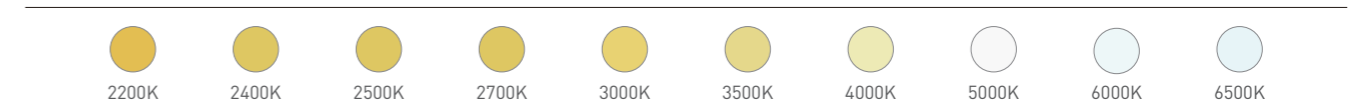
ORDERING CODE

Luminaire	Finish	Lens	Vol.	Power	CRI	CRI	Input Cable	Connector	Wiring
SL1707D12	W White	D Diffuser	24 24VDC	12.96W/m 17.28W/m	90 90+	22-2200K , 24-2400K 25-2500K , 27-2700K 30-3000K , 35-3500K 40-4000K , 50-5000K 65-6500K	01 - Black&Red 22AWG 02 - Black&White 22AWG 03 - White PU protected 2 pin 04 - 3Pin cable for Tunable white	A - AMP male/female M - Molex male/female D - DC male/female	B - Through profile back E - Through Endcaps S - Through profile side
	B Black	O Opal							
	S Silver	C Clear							
					TW	Tunable White - check your executive sales			
					D2W	Dim To Warm - check your executive sales			

RECOMMENDED LIGHT SOURCE

Part Code	Led Qty	Input Vol.	Power	CRI	Light Source Lumen	Diffuser Lens Lumen	Cutttable length	Max Run	Pcb Width
FN-2016-180	180pcs/m	24VDC	12.96W/m	90+	1000 lm/m	780 lm/m	33mm	3m	10mm
FN-2016-240	240pcs/m		17.28W/m	90+	1300 lm/m	1014 lm/m	25mm		

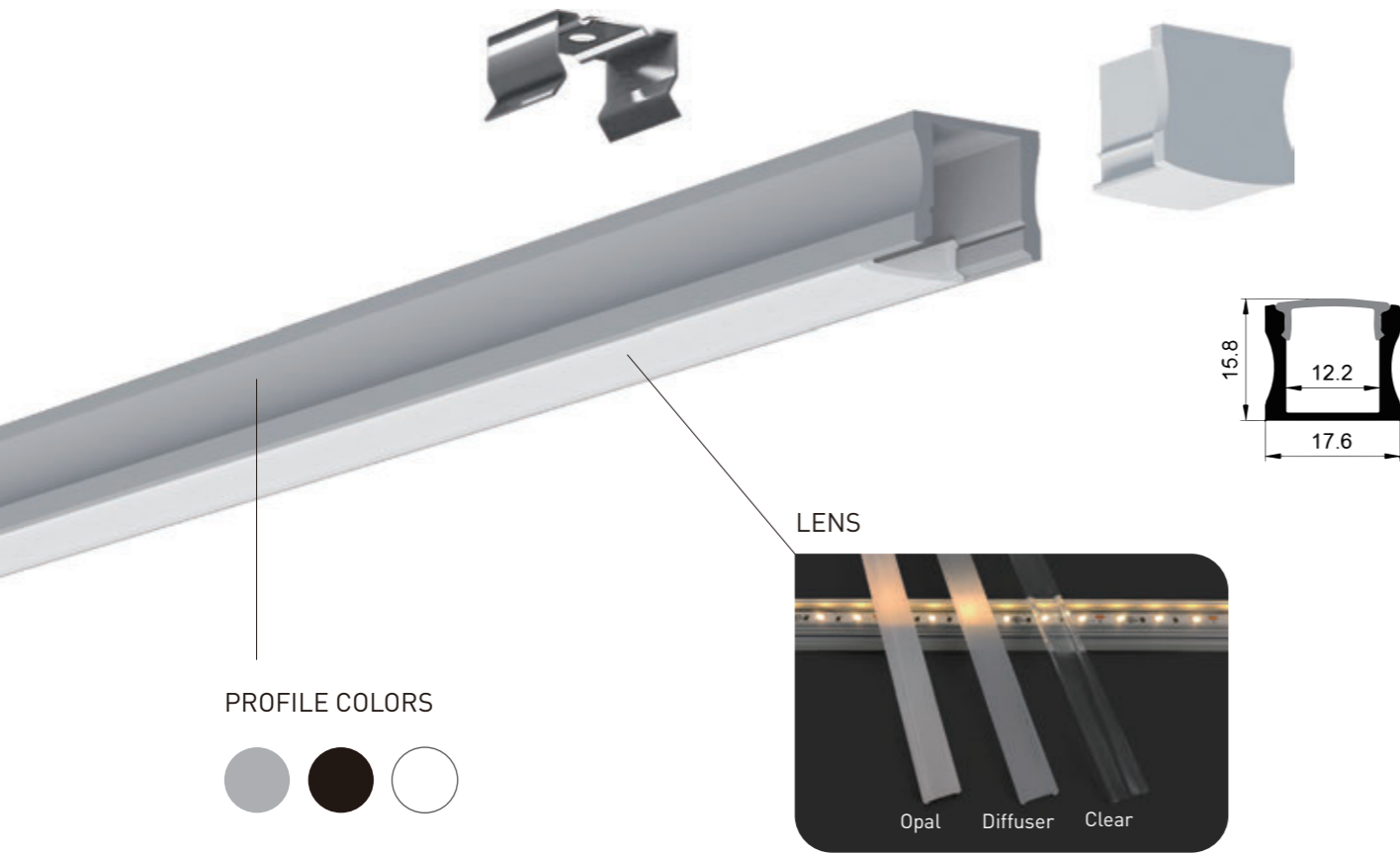
Remark: The tested data based on silver finish in 4000K, CRI 90+ light source.



Installation: Vertical Surface Mounted
 Length Available: 1-3m
 Profile Color: Silver, Black Anodized, White Powder Coating
 Lens: Opal, Diffuser, Clear
 Input Cable: Endcaps, Profile Bottom, Profile Sides
 Quick Female/Male Connectors Input cable & Junction Box available

VERTICAL SURFACE MOUNTED SERIES

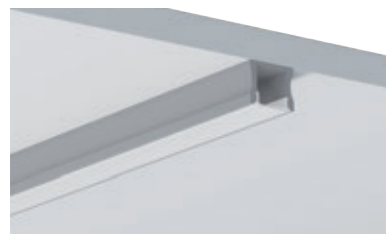
► SL171512



PROFILE COLORS



ACCESSORIES



Installation: Vertical Surface Mounted
 Length Available: 1-3m
 Profile Color: Silver, Black Anodized, White Powder Coating
 Lens: Opal, Diffuser, Clear
 Input Cable: Endcaps, Profile Bottom, Profile Sides
 Quick Female/Male Connectors Input cable & Junction Box available

VERTICAL SURFACE MOUNTED SERIES

► SL171512

ORDERING CODE

Luminaire	Finish	Lens	Vol.	Power	CRI	CCT	Input Cable	Connector	Wiring
SL171512	W White	D Diffuser	12 12VDC	5.18W/m	90 90+	22-2200K, 24-2400K, 25-2500K 27-2700K, 30-3000K, 35-3500K 40-4000K, 50-5000K, 65-6500K	01 - Black&Red 22AWG 02 - Black&White 22AWG 03 - White PU protected 2 pin 04 - 3Pin cable for Tunable white	A - AMP male/female M - Molex male/female D - DC male/female	B - Through profile back E - Through Endcaps S - Through profile side
	B Black	O Opal	24 24VDC	11.52W/m	95 95+	22-2200K, 25-2500K, 27-2700K 30-3000K, 35-3500K, 40-4000K 50-5000K, 65-6500K			
	S Silver	C Clear	36 36VDC	14.40W/m	TW	Tunable White - check your executive sales			
			48 48VDC	21.60W/m 24.00W/m 28.80W/m	D2W	Dim To Warm - check your executive sales			

RECOMMENDED LIGHT SOURCE

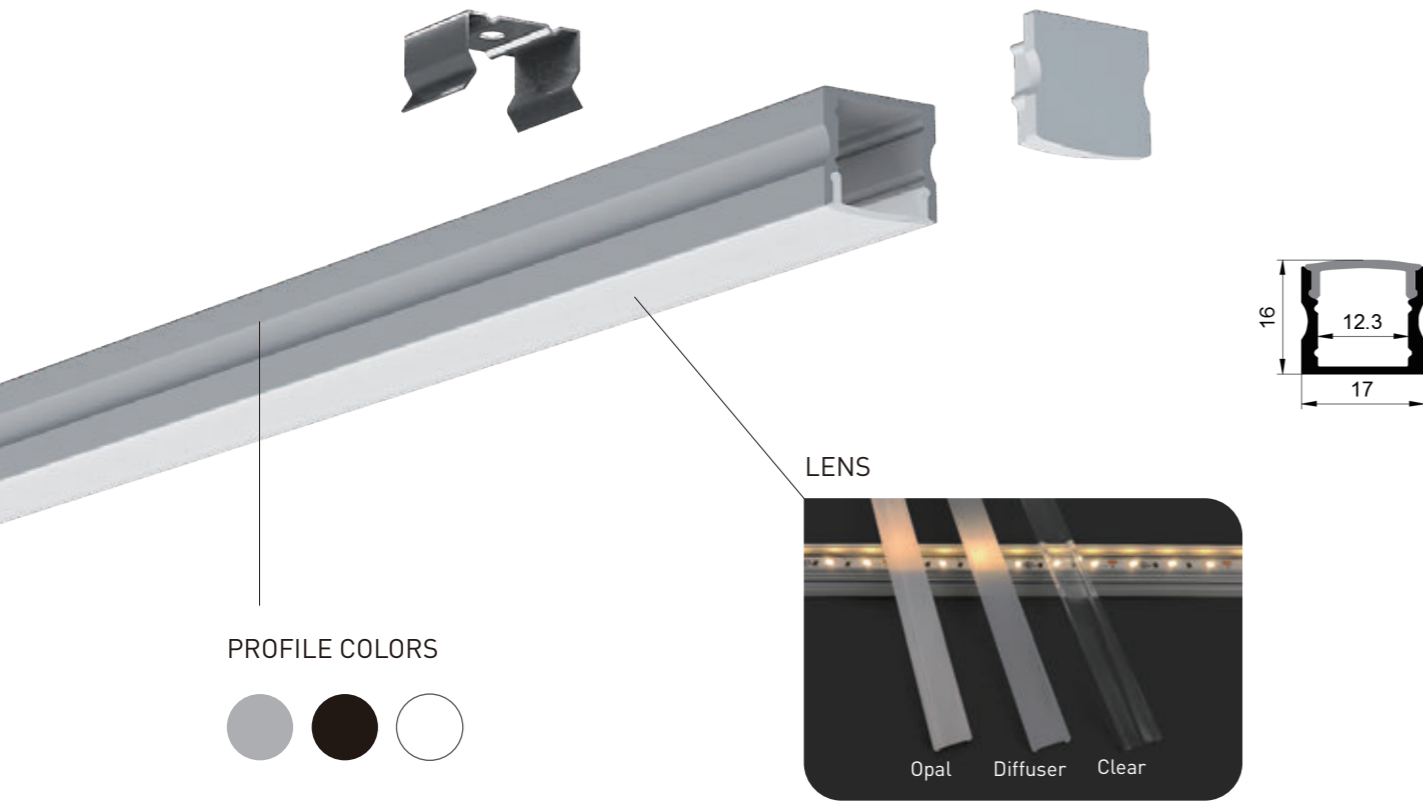
Performance	Part Code	Led Qty	Input Vol.	Power	CRI	Light Source Lumen	Diffuser Lens Lumen	Cuttable length	Max Run	Pcb Width
General	FN-2835T-120	120pcs/m	12/24VDC	14.40 W/m	90+	1512 lm/m	680lm/m	12V=25mm 24V=50mm	12V=5m 24V=9m	10 mm
					95+	1282 lm/m	577lm/m			
High Efficiency	FN-H2835T-128	128pcs/m	24VDC	11.52 W/m	90+	1613 lm/m	726lm/m	24V=62.5mm	24V=6m	10 mm
					95+	1475 lm/m	664lm/m			
	FN-H28350-160	160pcs/m	24VDC	24 W/m	90+	3480 lm/m	1739lm/m	50mm	3m	10 mm
					90+	1987 lm/m	894lm/m			
						95+	1843 lm/m			
FN-H28350-192	192pcs/m	24VDC	28.8 W/m	90+	4176 lm/m	2086lm/m	41.7mm	2.5m	10 mm	
Long Run	LN-H2835T-80	80pcs/m	36VDC	5.18W/m	90+	580 lm/m	261lm/m	100mm	50m	10 mm
					95+	482 lm/m	217lm/m			
	LN-H2835T-112	112pcs/m	48VDC	11.52 W/m	90+	1336 lm/m	601lm/m	125mm	25m	10 mm
					95+	1106 lm/m	498lm/m			
	LN-H2835T-120	120pcs/m	24VDC	6.00 W/m	90+	588 lm/m	265lm/m	50mm	21m	10 mm
					95+	486 lm/m	219lm/m			
Short Cut	FN-F2835A-120	120pcs/m	12VDC	21.60 W/m	90+	1922 lm/m	865lm/m	16.7mm	3.5m	10 mm
					95+	1595 lm/m	718lm/m			

Remark: 1. The tested data based on silver finish in 4000K, CRI 90+ light source. 2. LN-H2835T-80 is good for long run, but it will show light spot.



VERTICAL SURFACE MOUNTED SERIES

► SL1715B12



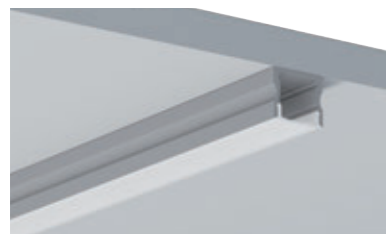
PROFILE COLORS



ACCESSORIES



Straight Connector L Shape Connector Rotating Bracket



Installation: Vertical Surface Mounted
 Length Available: 1-3m
 Profile Color: Silver, Black Anodized, White Powder Coating
 Lens: Opal, Diffuser, Clear
 Input Cable: Endcaps, Profile Bottom, Profile Sides
 Quick Female/Male Connectors Input cable & Junction Box available

VERTICAL SURFACE MOUNTED SERIES

► SL1715B12

ORDERING CODE

Luminaire	Finish	Lens	Vol.	Power	CRI	CCT	Input Cable	Connector	Wiring
SL1715B12	W White	D Diffuser	12 12VDC	5.18W/m	90 90+	22-2200K , 24-2400K , 25-2500K 27-2700K , 30-3000K , 35-3500K 40-4000K , 50-5000K , 65-6500K	01 - Black&Red 22AWG 02 - Black&White 22AWG 03 - White PU protected 2 pin 04 - 3Pin cable for Tunable white	A - AMP male/female M - Molex male/female D - DC male/female	E - Through Endcaps S - Through profile side
	B Black	O Opal	24 24VDC	6.00W/m	95 95+	22-2200K , 25-2500K , 27-2700K 30-3000K , 35-3500K , 40-4000K 50-5000K , 65-6500K			
	S Silver	C Clear	36 36VDC	11.52W/m	TW	Tunable White - check your executive sales			
			48 48VDC	14.40W/m 21.60W/m 24.00W/m 28.80W/m	D2W	Dim To Warm - check your executive sales			

RECOMMENDED LIGHT SOURCE

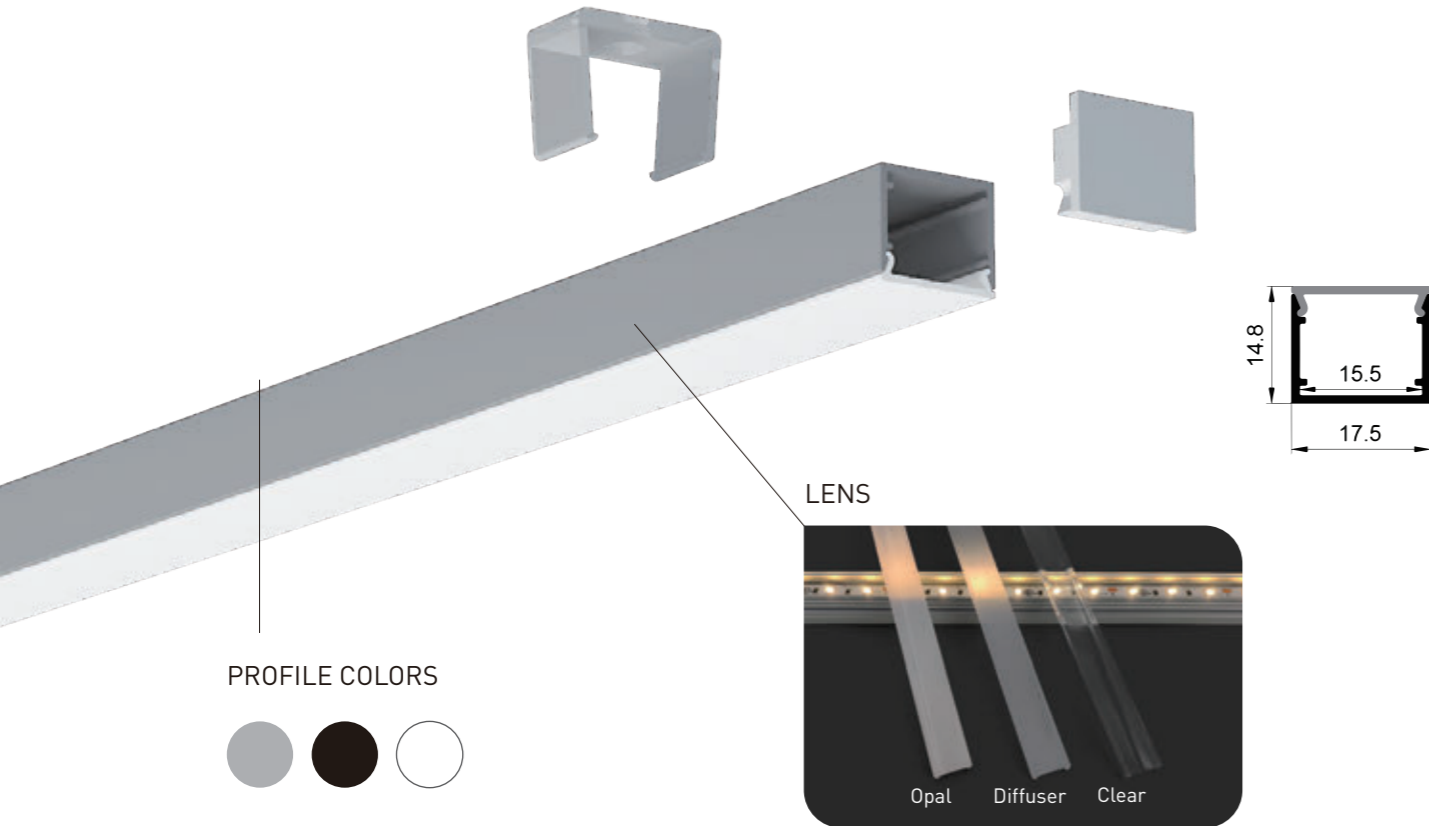
Performance	Part Code	Led Qty	Input Vol.	Power	CRI	Light Source Lumen	Diffuser Lens Lumen	Cuttable length	Max Run	Pcb Width
General	FN-2835T-120	120pcs/m	12/24VDC	14.40 W/m	90+	1512 lm/m	680lm/m	12V=25mm 24V=50mm	12V=5m 24V=9m	10 mm
					95+	1282 lm/m	577lm/m			
High Efficiency	FN-H2835T-128	128pcs/m	24VDC	11.52 W/m	90+	1613 lm/m	726lm/m	24V=62.5mm	24V=6m	10 mm
					95+	1475 lm/m	664lm/m			
	FN-H28350-160	160pcs/m	24VDC	24 W/m	90+	3480 lm/m	1739lm/m	50mm	3m	10 mm
					95+	1987 lm/m	894lm/m			
						1843 lm/m	829lm/m			
FN-H28350-192	192pcs/m	24VDC	28.8 W/m	90+	4176 lm/m	2086lm/m	41.7mm	2.5m	10 mm	
Long Run	LN-H2835T-80	80pcs/m	36VDC	5.18W/m	90+	580 lm/m	261lm/m	100mm	50m	10 mm
					95+	482 lm/m	217lm/m			
	LN-H2835T-112	112pcs/m	48VDC	11.52 W/m	90+	1336 lm/m	601lm/m	125mm	25m	10 mm
					95+	1106 lm/m	498lm/m			
	LN-H2835T-120	120pcs/m	24VDC	6.00 W/m	90+	588 lm/m	265lm/m	50mm	21m	10 mm
					95+	486 lm/m	219lm/m			
Short Cut	FN-F2835A-120	120pcs/m	12VDC	21.60 W/m	90+	1922 lm/m	865lm/m	16.7mm	3.5m	10 mm
					95+	1595 lm/m	718lm/m			

Remark: 1. The tested data based on silver finish in 4000K, CRI 90+ light source. 2. LN-H2835T-80 is good for long run, but it will show light spot.



VERTICAL SURFACE MOUNTED SERIES

► SL1715H15



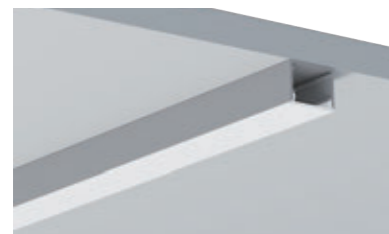
PROFILE COLORS



ACCESSORIES



Rotating Bracket



Installation: Vertical Surface Mounted
 Length Available: 1-3m
 Profile Color: Silver, Black Anodized, White Powder Coating
 Lens: Opal, Diffuser, Clear
 Input Cable: Endcaps, Profile Bottom, Profile Sides
 Quick Female/Male Connectors Input cable & Junction Box available

VERTICAL SURFACE MOUNTED SERIES

► SL1715H15

ORDERING CODE

Luminaire	Finish	Lens	Vol.	Power	CRI	CCT	Input Cable	Connector	Wiring
SL1715H15	W White	D Diffuser	12 12VDC	5.18W/m	90 90+	22-2200K, 24-2400K, 25-2500K 27-2700K, 30-3000K, 35-3500K 40-4000K, 50-5000K, 65-6500K	01 - Black&Red 22AWG 02 - Black&White 22AWG 03 - White PU protected 2 pin 04 - 3Pin cable for Tunable white	A - AMP male/female M - Molex male/female D - DC male/female	E - Through Endcaps S - Through profile side
	B Black	O Opal	24 24VDC	11.52W/m	95 95+	22-2200K, 25-2500K, 27-2700K 30-3000K, 35-3500K, 40-4000K 50-5000K, 65-6500K			
	S Silver	C Clear	36 36VDC	14.40W/m	TW	Tunable White - check your executive sales			
			48 48VDC	21.60W/m 24.00W/m 28.80W/m	D2W	Dim To Warm - check your executive sales			

RECOMMENDED LIGHT SOURCE

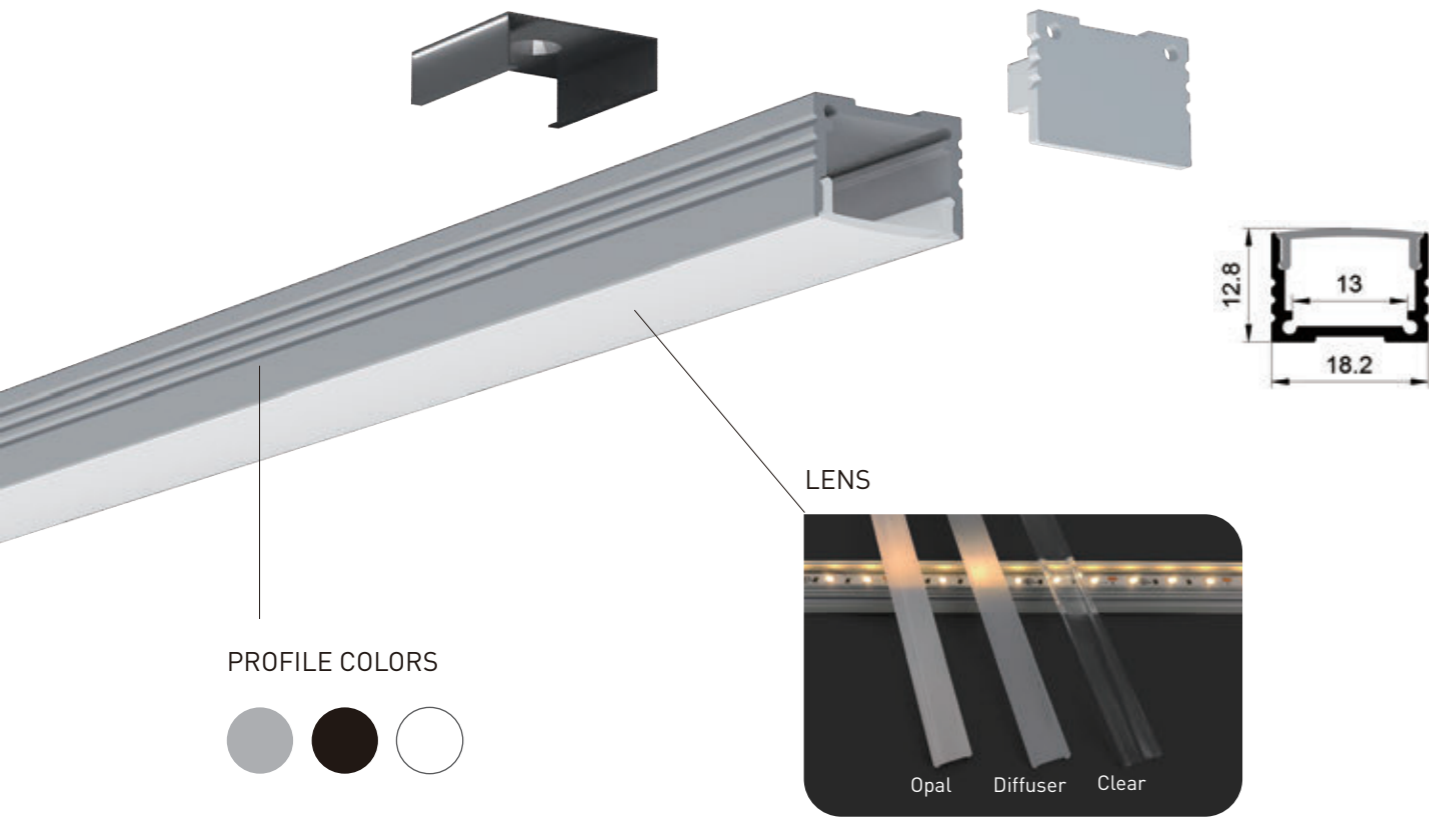
Performance	Part Code	Led Qty	Input Vol.	Power	CRI	Light Source Lumen	Diffuser Lens Lumen	Cuttable length	Max Run	PCB Width
General	FN-2835T-120	120pcs/m	12/24VDC	14.40 W/m	90+	1512 lm/m	680lm/m	12V=25mm 24V=50mm	12V=5m 24V=9m	10 mm
					95+	1282 lm/m	577lm/m			
High Efficiency	FN-H2835T-128	128pcs/m	24VDC	11.52 W/m	90+	1613 lm/m	726lm/m	24V=62.5mm	24V=6m	10 mm
					95+	1475 lm/m	664lm/m			
	FN-H28350-160	160pcs/m	24VDC	24 W/m	90+	3480 lm/m	1739lm/m	50mm	3m	10 mm
					90+	1987 lm/m	894lm/m			
						95+	1843 lm/m			
FN-H28350-192	192pcs/m	24VDC	28.8 W/m	90+	4176 lm/m	2086lm/m	41.7mm	2.5m	10 mm	
Long Run	LN-H2835T-80	80pcs/m	36VDC	5.18W/m	90+	580 lm/m	261lm/m	100mm	50m	10 mm
					95+	482 lm/m	217lm/m			
	LN-H2835T-112	112pcs/m	48VDC	11.52 W/m	90+	1336 lm/m	601lm/m	125mm	25m	10 mm
					95+	1106 lm/m	498lm/m			
	LN-H2835T-120	120pcs/m	24VDC	6.00 W/m	90+	588 lm/m	265lm/m	50mm	21m	10 mm
					95+	486 lm/m	219lm/m			
Short Cut	FN-F2835A-120	120pcs/m	12VDC	21.60 W/m	90+	1922 lm/m	865lm/m	16.7mm	3.5m	10 mm
					95+	1595 lm/m	718lm/m			

Remark: 1. The tested data based on silver finish in 4000K, CRI 90+ light source. 2. LN-H2835T-80 is good for long run, but it will show light spot.



VERTICAL SURFACE MOUNTED SERIES

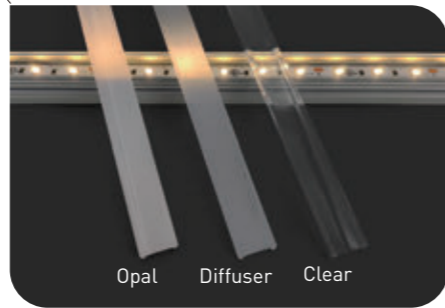
► SL181313



PROFILE COLORS



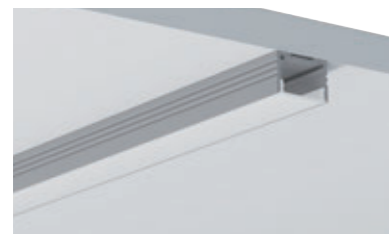
LENS



ACCESSORIES



Rotating Bracket



Installation: Vertical Surface Mounted
 Length Available: 1-3m
 Profile Color: Silver, Black Anodized, White Powder Coating
 Lens: Opal, Diffuser, Clear
 Input Cable: Endcaps, Profile Bottom, Profile Sides
 Quick Female/Male Connectors Input cable & Junction Box available

VERTICAL SURFACE MOUNTED SERIES

► SL181313

ORDERING CODE

Luminaire	Finish	Lens	Vol.	Power	CRI	CRI	Input Cable	Connector	Wiring
SL181313	W White	D Diffuser	12 12VDC	5.18W/m	90	22-2200K , 24-2400K , 25-2500K 27-2700K , 30-3000K , 35-3500K 40-4000K , 50-5000K , 65-6500K	01 - Black&Red 22AWG 02 - Black&White 22AWG 03 - White PU protected 2 pin 04 - 3Pin cable for Tunable white	A - AMP male/female M - Molex male/female D - DC male/female	E - Through Endcaps S - Through profile side
	B Black	O Opal	24 24VDC	6.00W/m	90+				
	S Silver	C Clear	36 36VDC	11.52W/m	95	22-2200K , 25-2500K , 27-2700K 30-3000K , 35-3500K , 40-4000K 50-5000K , 65-6500K			
			48 48VDC	14.40W/m	95+				
			21.60W/m	24.00W/m	TW	Tunable White - check your executive sales			
			28.80W/m		D2W	Dim To Warm - check your executive sales			

RECOMMENDED LIGHT SOURCE

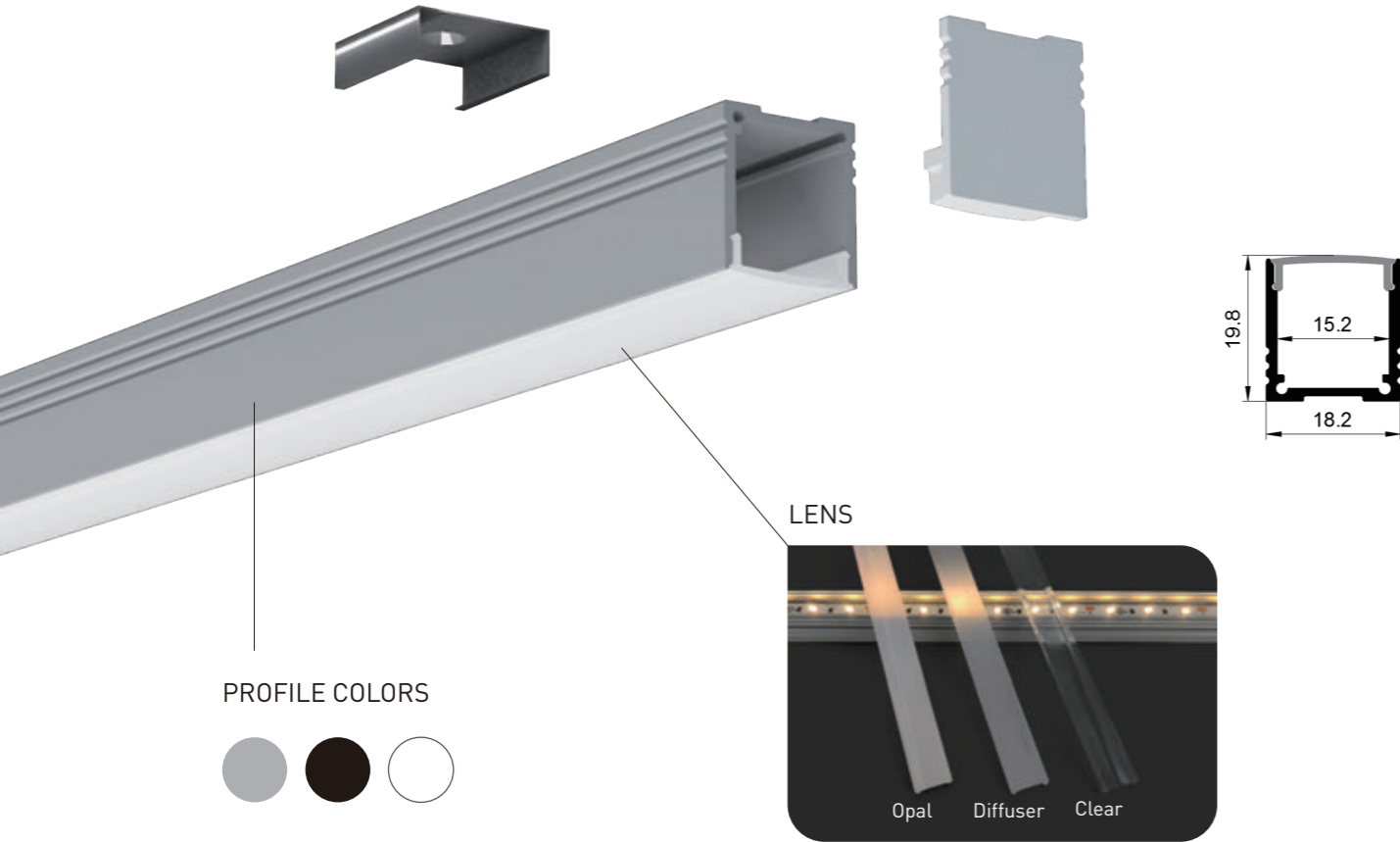
Performance	Part Code	Led Qty	Input Vol.	Power	CRI	Light Source Lumen	Diffuser Lens Lumen	Cuttable length	Max Run	Pcb Width
General	FN-2835T-120	120pcs/m	12/24VDC	14.40 W/m	90+	1512 lm/m	680lm/m	12V=25mm 24V=50mm	12V=5m 24V=9m	10 mm
					95+	1282 lm/m	577lm/m			
High Efficiency	FN-H2835T-128	128pcs/m	24VDC	11.52 W/m	90+	1613 lm/m	726lm/m	24V=62.5mm	24V=6m	10 mm
					95+	1475 lm/m	664lm/m			
	FN-H28350-160	160pcs/m	24VDC	24 W/m	90+	3480 lm/m	1739lm/m	50mm	3m	10 mm
					95+	1987 lm/m	894lm/m			
FN-H2835T-160	160pcs/m	24VDC	14.40 W/m	90+	1843 lm/m	829lm/m	24V=50mm	24V=5m	10 mm	
				95+	1843 lm/m	829lm/m				
FN-H28350-192	192pcs/m	24VDC	28.8 W/m	90+	4176 lm/m	2086lm/m	41.7mm	2.5m	10 mm	
				95+	4176 lm/m	2086lm/m				
Long Run	LN-H2835T-80	80pcs/m	36VDC	5.18W/m	90+	580 lm/m	261lm/m	100mm	50m	10 mm
					95+	482 lm/m	217lm/m			
	LN-H2835T-112	112pcs/m	48VDC	11.52 W/m	90+	1336 lm/m	601lm/m	125mm	25m	10 mm
95+					1106 lm/m	498lm/m				
LN-H2835T-120	120pcs/m	24VDC	6.00 W/m	90+	588 lm/m	265lm/m	50mm	21m	10 mm	
				95+	486 lm/m	219lm/m				
Short Cut	FN-F2835A-120	120pcs/m	12VDC	21.60 W/m	90+	1922 lm/m	865lm/m	16.7mm	3.5m	10 mm
					95+	1595 lm/m	718lm/m			

Remark: 1. The tested data based on silver finish in 4000K, CRI 90+ light source. 2. LN-H2835T-80 is good for long run, but it will show light spot.



VERTICAL SURFACE MOUNTED SERIES

► SL181915



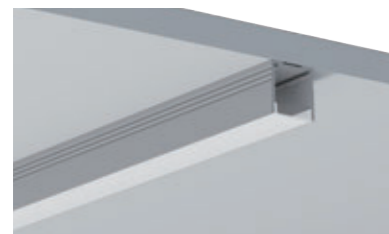
PROFILE COLORS



ACCESSORIES



Rotating Bracket



Installation: Vertical Surface Mounted
 Length Available: 1-3m
 Profile Color: Silver, Black Anodized, White Powder Coating
 Lens: Opal, Diffuser, Clear
 Input Cable: Endcaps, Profile Bottom, Profile Sides
 Quick Female/Male Connectors Input cable & Junction Box available

VERTICAL SURFACE MOUNTED SERIES

► SL181915

ORDERING CODE

Luminaire	Finish	Lens	Vol.	Power	CRI	CCT	Input Cable	Connector	Wiring
SL181915	W White	D Diffuser	12 12VDC	5.18W/m	90 90+	22-2200K , 24-2400K , 25-2500K 27-2700K , 30-3000K , 35-3500K 40-4000K , 50-5000K , 65-6500K	01 - Black&Red 22AWG 02 - Black&White 22AWG 03 - White PU protected 2 pin 04 - 3Pin cable for Tunable white	A - AMP male/female M - Molex male/female D - DC male/female	E - Through Endcaps S - Through profile side
	B Black	O Opal	24 24VDC	11.52W/m	95 95+	22-2200K , 25-2500K , 27-2700K 30-3000K , 35-3500K , 40-4000K 50-5000K , 65-6500K			
	S Silver	C Clear	36 36VDC	14.40W/m	TW	Tunable White - check your executive sales			
			48 48VDC	21.60W/m 24.00W/m 28.80W/m	D2W	Dim To Warm - check your executive sales			

RECOMMENDED LIGHT SOURCE

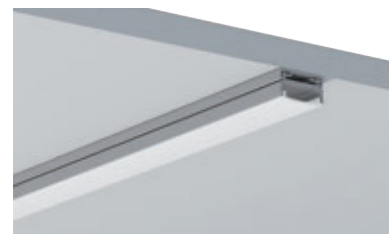
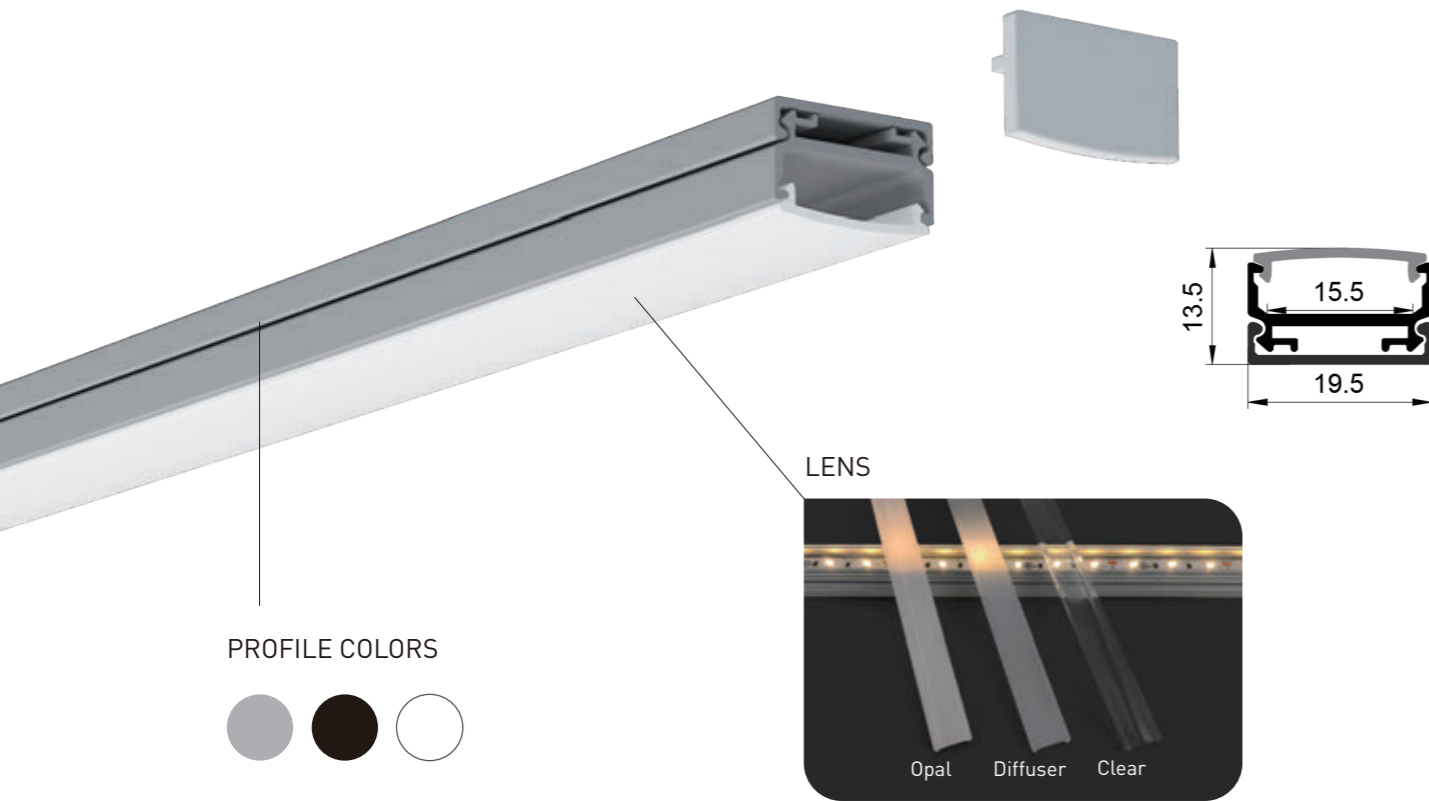
Performance	Part Code	Led Qty	Input Vol.	Power	CRI	Light Source Lumen	Diffuser Lens Lumen	Cuttable length	Max Run	Pcb Width
General	FN-2835T-120	120pcs/m	12/24VDC	14.40 W/m	90+	1512 lm/m	680lm/m	12V=25mm 24V=50mm	12V=5m 24V=9m	10 mm
					95+	1282 lm/m	577lm/m			
High Efficiency	FN-H2835T-128	128pcs/m	24VDC	11.52 W/m	90+	1613 lm/m	726lm/m	24V=62.5mm	24V=6m	10 mm
					95+	1475 lm/m	664lm/m			
	FN-H28350-160	160pcs/m	24VDC	24 W/m	90+	3480 lm/m	1739lm/m	50mm	3m	10 mm
					95+	1987 lm/m	894lm/m			
						1843 lm/m	829lm/m			
FN-H28350-192	192pcs/m	24VDC	28.8 W/m	90+	4176 lm/m	2086lm/m	41.7mm	2.5m	10 mm	
Long Run	LN-H2835T-80	80pcs/m	36VDC	5.18W/m	90+	580 lm/m	261lm/m	100mm	50m	10 mm
					95+	482 lm/m	217lm/m			
	LN-H2835T-112	112pcs/m	48VDC	11.52 W/m	90+	1336 lm/m	601lm/m	125mm	25m	10 mm
					95+	1106 lm/m	498lm/m			
	LN-H2835T-120	120pcs/m	24VDC	6.00 W/m	90+	588 lm/m	265lm/m	50mm	21m	10 mm
					95+	486 lm/m	219lm/m			
Short Cut	FN-F2835A-120	120pcs/m	12VDC	21.60 W/m	90+	1922 lm/m	865lm/m	16.7mm	3.5m	10 mm
					95+	1595 lm/m	718lm/m			

Remark: 1. The tested data based on silver finish in 4000K, CRI 90+ light source. 2. LN-H2835T-80 is good for long run, but it will show light spot.



VERTICAL SURFACE MOUNTED SERIES

► SL2019C15



Installation: Vertical Surface Mounted
 Length Available: 1-3m
 Profile Color: Silver, Black Anodized, White Powder Coating
 Lens: Opal, Diffuser, Clear
 Input Cable: Endcaps, Profile Bottom, Profile Sides
 Quick Female/Male Connectors Input cable & Junction Box available

VERTICAL SURFACE MOUNTED SERIES

► SL2019C15

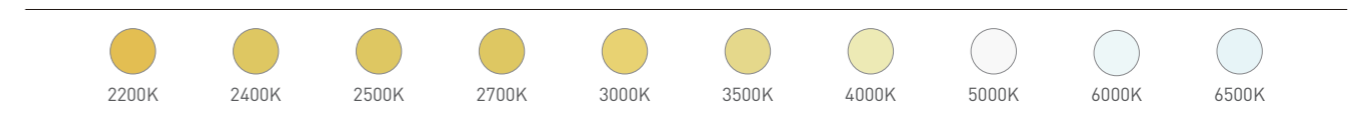
ORDERING CODE

Luminaire	Finish	LENS	Vol.	Power	CRI	CCT	Input Cable	Connector	Wiring
SL2019C15	W White	D Diffuser	24 24VDC	12.96W/m 17.28W/m	90 90+	22-2200K , 24-2400K 25-2500K , 27-2700K 30-3000K , 35-3500K 40-4000K , 50-5000K 65-6500K	01 - Black&Red 22AWG 02 - Black&White 22AWG 03 - White PU protected 2 pin 04 - 3Pin cable for Tunable white	A - AMP male/female M - Molex male/female D - DC male/female	E - Through Endcaps S - Through profile side
	B Black	O Opal							
	S Silver	C Clear							
					TW	Tunable White - check your executive sales			
					D2W	Dim To Warm - check your executive sales			

RECOMMENDED LIGHT SOURCE

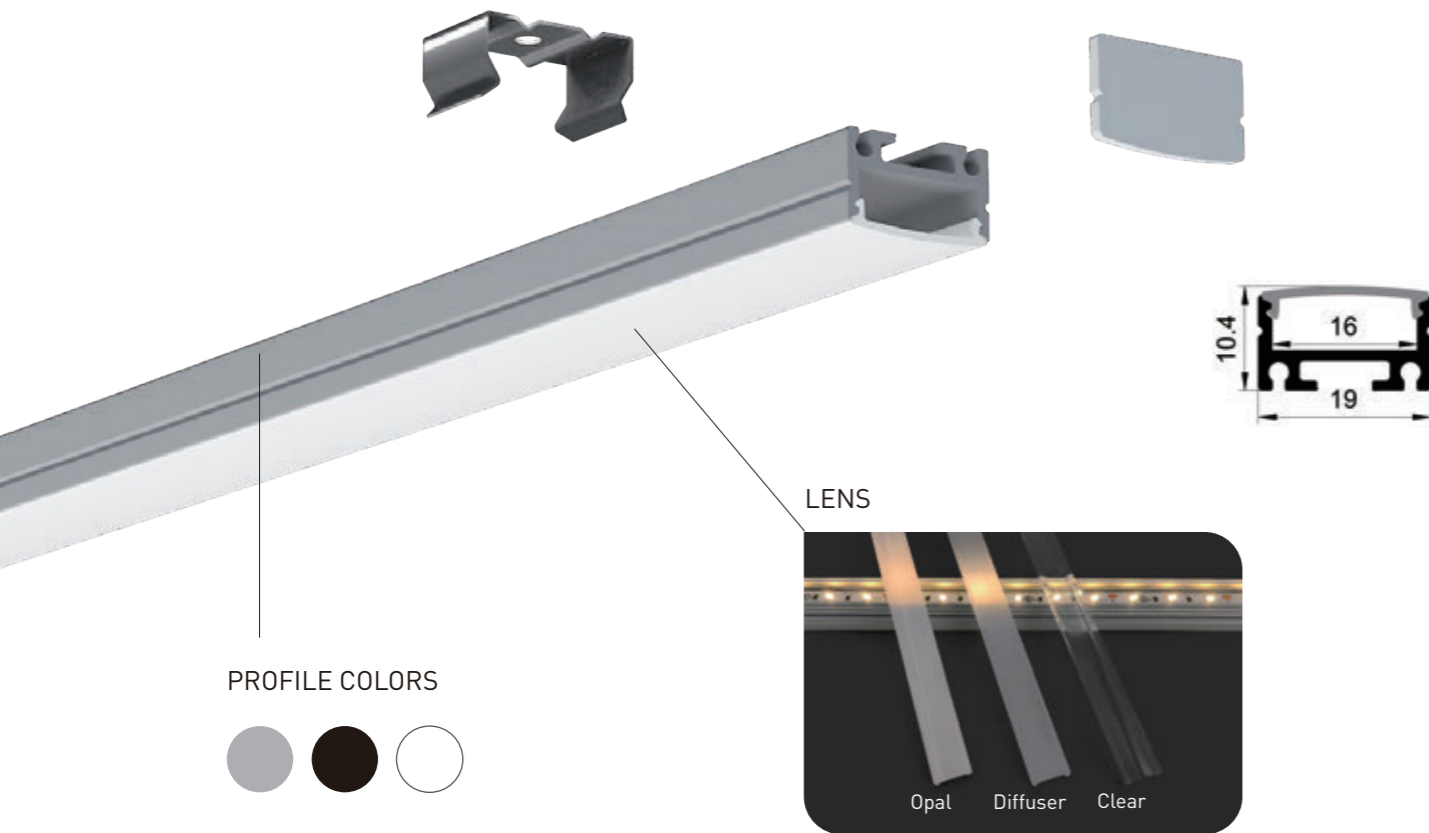
Part Code	Led Qty	Input Vol.	Power	CRI	Light Source Lumen	Diffuser Lens Lumen	Cuttable length	Max Run	Pcb Width
FN-2016-180	180pcs/m	24VDC	12.96W/m	90+	1000 lm/m	780 lm/m	33mm	3m	10mm
FN-2016-240	240pcs/m		17.28W/m	90+	1300 lm/m	1014 lm/m	25mm		

Remark: The tested data based on silver finish in 4000K, CRI 90+ light source.



VERTICAL SURFACE MOUNTED SERIES

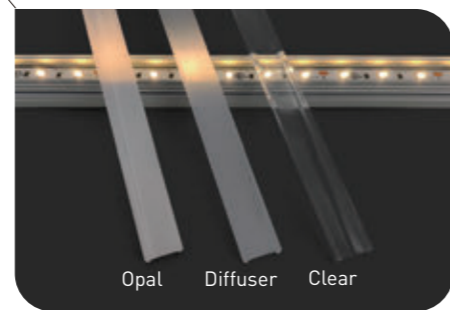
► SL2016E16



PROFILE COLORS



LENS



ACCESSORIES



Pendant Kit



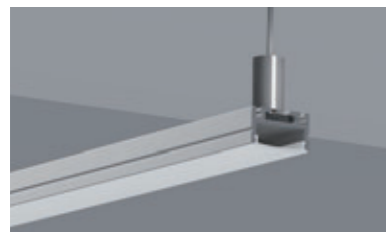
L Shape Connector



90° Connector



Straight Connector



Installation: Vertical Surface Mounted
 Length Available: 1-3m
 Profile Color: Silver, Black Anodized, White Powder Coating
 Lens: Opal, Diffuser, Clear
 Input Cable: Endcaps, Profile Bottom, Profile Sides
 Quick Female/Male Connectors Input cable & Junction Box available

VERTICAL SURFACE MOUNTED SERIES

► SL2016E16

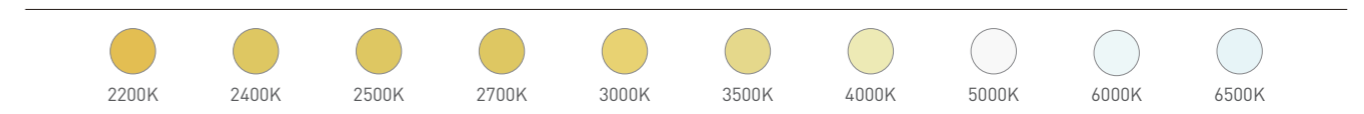
ORDERING CODE

Luminaire	Finish	LENS	Vol.	Power	CRI	CCT	Input Cable	Connector	Wiring
SL2016E16	W White	D Diffuser	24 24VDC	12.96W/m 17.28W/m	90 90+	22-2200K , 24-2400K 25-2500K , 27-2700K 30-3000K , 35-3500K 40-4000K , 50-5000K 65-6500K	01 - Black&Red 22AWG 02 - Black&White 22AWG 03 - White PU protected 2 pin 04 - 3Pin cable for Tunable white	A - AMP male/female M - Molex male/female D - DC male/female	E - Through Endcaps S - Through profile side
	B Black	O Opal							
	S Silver	C Clear							

RECOMMENDED LIGHT SOURCE

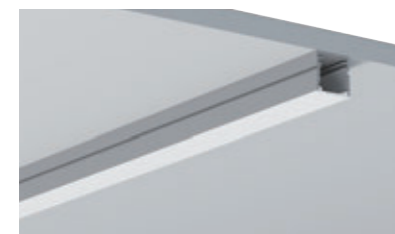
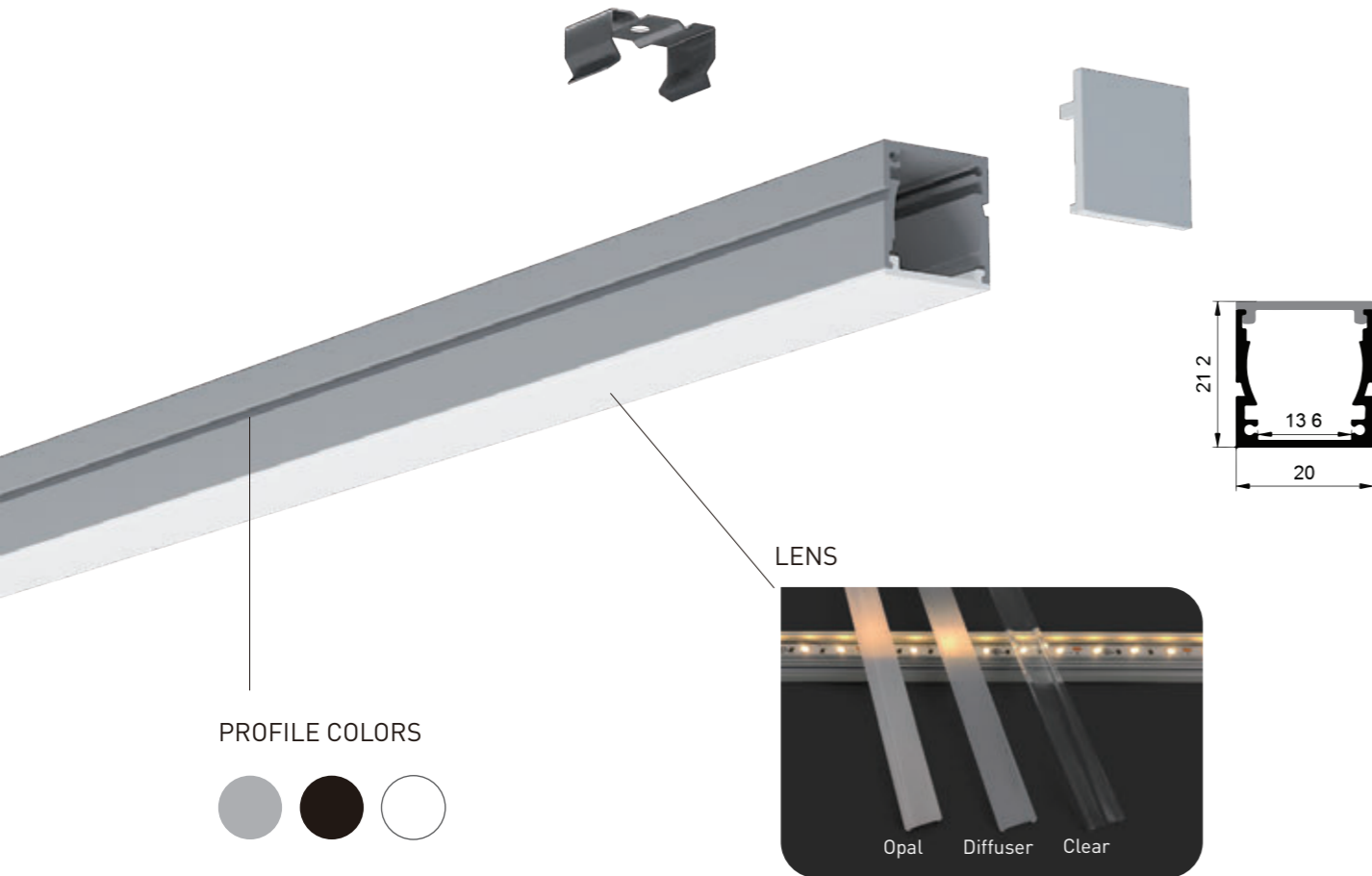
Part Code	Led Qty	Input Vol.	Power	CRI	Light Source Lumen	Diffuser Lens Lumen	Cutttable length	Max Run	Pcb Width
FN-2016-180	180pcs/m	24VDC	12.96W/m	90+	1000 lm/m	780 lm/m	33mm	3m	10mm
FN-2016-240	240pcs/m		17.28W/m	90+	1300 lm/m	1014 lm/m	25mm		

Remark: The tested data based on silver finish in 4000K, CRI 90+ light source.



VERTICAL SURFACE MOUNTED SERIES

► SL202113



Installation: Vertical Surface Mounted
 Length Available: 1-3m
 Profile Color: Silver, Black Anodized, White Powder Coating
 Lens: Opal, Diffuser, Clear
 Input Cable: Endcaps, Profile Bottom, Profile Sides
 Quick Female/Male Connectors Input cable & Junction Box available

VERTICAL SURFACE MOUNTED SERIES

► SL202113

ORDERING CODE

Luminaire	Finish	Lens	Vol.	Power	CRI	CCT	Input Cable	Connector	Wiring
SL202113	W White	D Diffuser	12 12VDC	2.40W/m	90 90+	22-2200K , 24-2400K , 25-2500K 27-2700K , 30-3000K , 35-3500K 40-4000K , 50-5000K , 65-6500K	01 - Black&Red 22AWG	A - AMP male/female	B - Through profile back
				5.04W/m					
				5.18W/m					
	B Black	O Opal	24 24VDC	5.18W/m	95 95+	22-2200K , 25-2500K , 27-2700K 30-3000K , 35-3500K , 40-4000K 50-5000K , 65-6500K	02 - Black&White 22AWG	M - Molex male/female	E - Through Endcaps
				5.76W/m					
				6.00W/m					
	S Silver	C Clear	36 36VDC	5.76W/m	TW	Tunable White - check your executive sales	03 - White PU protected 2 pin	D - DC male/female	S - Through profile side
				7.68W/m					
				11.52W/m					
			48 48VDC	14.40W/m	D2W	Dim To Warm - check your executive sales	04 - 3Pin cable for Tunable white		
				21.60W/m					
				24.00W/m					
			28.80W/m						

RECOMMENDED LIGHT SOURCE

Performance	Part Code	Led Qty	Input Vol.	Power	CRI	Light Source Lumen	Diffuser Lens Lumen	Cutttable length	Max Run	Pcb Width	
General	FN-2835T-60	60pcs/m	12/24VDC	14.40 W/m	90+	1440 lm/m	648 lm/m	12V=25mm 24V=100mm	12V=5m 24V=9m	10 mm	
					95+	1238 lm/m	557 lm/m				
High Efficiency	FN-H2835T-64	64pcs/m	24VDC	7.68 W/m	90+	1029 lm/m	463 lm/m	125mm	5m	10 mm	
					95+	968 lm/m	436 lm/m				
	FN-H28350-80	80pcs/m	24VDC	14.40W/m	90+	2275 lm/m	1024 lm/m	100mm	4m	10 mm	
Long Run	LN-2835T-60	60pcs/m	24VDC	5.04 W/m	90+	499 lm/m	225 lm/m	100mm	21m	10mm	
					95+	413 lm/m	186 lm/m				
					2.4 W/m	90+	230 lm/m	104 lm/m	100mm	50m	10 mm
						95+	190 lm/m	86 lm/m			
	LN-2835T-56	56pcs/m	48VDC	5.76 W/m	90+	668 lm/m	301 lm/m	250mm	35m	10 mm	
					95+	553 lm/m	249 lm/m				
Short Cut	FN-F2835A-60	60pcs/m	12VDC	14.4 W/m	90+	1239 lm/m	531 lm/m	33.3mm	5.5m	10 mm	
					95+	979lm/m	441 lm/m				

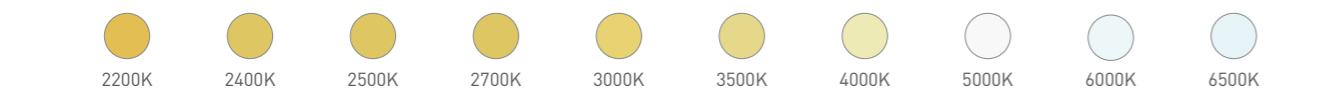
VERTICAL SURFACE MOUNTED SERIES

► SL202113

RECOMMENDED LIGHT SOURCE

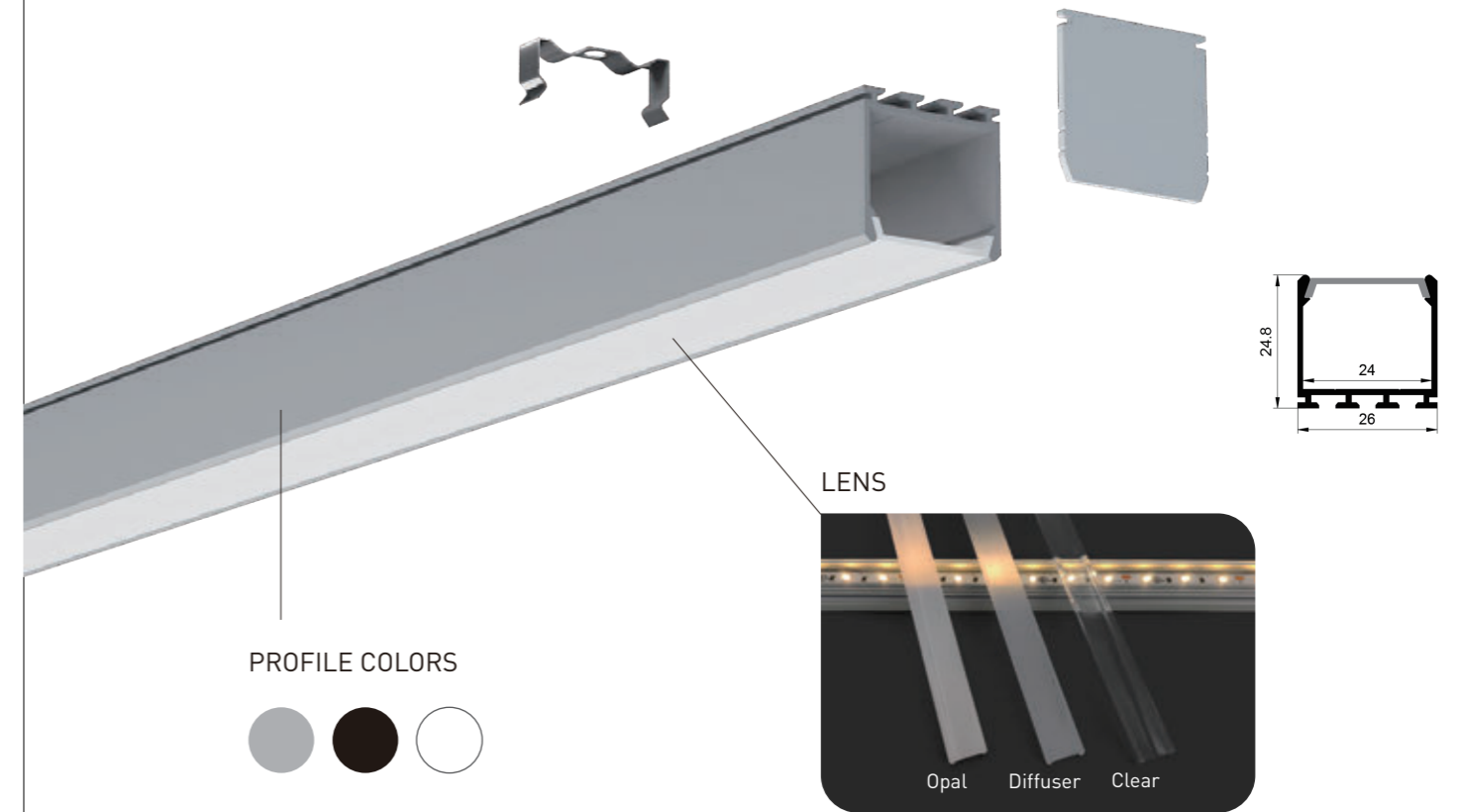
Performance	Part Code	Led Qty	Input Vol.	Power	CRI	Light Source Lumen	Diffuser Lens Lumen	Cutttable length	Max Run	Pcb Width
General	FN-2835T-120	120pcs/m	12/24VDC	14.40 W/m	90+	1512 lm/m	680lm/m	12V=25mm 24V=50mm	12V=5m 24V=9m	10 mm
					95+	1282 lm/m	577lm/m			
High Efficiency	FN-H2835T-128	128pcs/m	124VDC	11.52 W/m	90+	1613 lm/m	726lm/m	24V=62.5mm	24V=6m	10 mm
					95+	1475 lm/m	664lm/m			
	FN-H28350-160	160pcs/m	24VDC	24 W/m	90+	3480 lm/m	1739lm/m	50mm	3m	10 mm
	FN-H2835T-160	160pcs/m	24VDC	14.40 W/m	90+	1987 lm/m	894lm/m	24V=50mm	24V=5m	10 mm
					95+	1843 lm/m	829lm/m			
FN-H28350-192	192pcs/m	24VDC	28.8 W/m	90+	4176 lm/m	2086lm/m	41.7mm	2.5m	10 mm	
Long Run	LN-H2835T-80	80pcs/m	36VDC	5.18W/m	90+	580 lm/m	261lm/m	100mm	50m	10 mm
					95+	482 lm/m	217lm/m			
	LN-H2835T-112	112pcs/m	48VDC	11.52 W/m	90+	1336 lm/m	601lm/m	125mm	25m	10 mm
					95+	1106 lm/m	498lm/m			
	LN-H2835T-120	120pcs/m	24VDC	6.00 W/m	90+	588 lm/m	265lm/m	50mm	21m	10 mm
					95+	486 lm/m	219lm/m			
Short Cut	FN-F2835A-120	120pcs/m	12VDC	21.60 W/m	90+	1922 lm/m	865lm/m	16.7mm	3.5m	10 mm
					95+	1595 lm/m	718lm/m			

Remark: 1. The tested data based on silver finish in 4000K, CRI 90+ light source. 2. LN-H2835T-80 is good for long run, but it will show light spot.



VERTICAL SURFACE MOUNTED SERIES

► SL262524



Installation: Vertical Surface Mounted
 Length Available: 1-3m
 Profile Color: Silver, Black Anodized, White Powder Coating
 Lens: Opal, Diffuser, Clear
 Input Cable: Endcaps, Profile Bottom, Profile Sides
 Quick Female/Male Connectors Input cable & Junction Box available

VERTICAL SURFACE MOUNTED SERIES

► SL262524

ORDERING CODE

Luminaire	Finish	LENS	Vol.	Power	CRI	CCT	Input Cable	Connector	Wiring													
SL262524	W White	D Diffuser	12 12VDC	14.40W/m	90	22-2200K , 24-2400K , 25-2500K	01 - Black&Red 22AWG	A - AMP male/female	B - Through profile back													
			24 24VDC	7.68W/m	90+	27-2700K , 30-3000K , 35-3500K																
	B Black	O Opal	24 24VDC	5.04W/m	95	22-2200K , 25-2500K , 27-2700K				02 - Black&White 22AWG	M - Molex male/female	E - Through Endcaps										
			36 36VDC	2.40W/m	95+	30-3000K , 35-3500K , 40-4000K																
	S Silver	C Clear	36 36VDC	2.40W/m	TW	Tunable White - check your executive sales							03 - White PU protected 2 pin	D - DC male/female	S - Through profile side							
			48 48VDC	5.76W/m																		
				24.00W/m	D2W	Dim To Warm - check your executive sales										04 - 3Pin cable for Tunable white						
				28.80W/m																		
				5.18W/m																		
				6.00W/m																		
			21.60W/m																			

RECOMMENDED LIGHT SOURCE

Performance	Part Code	Led Qty	Input Vol.	Power	CRI	Light Source Lumen	Diffuser Lens Lumen	Cutttable length	Max Run	Pcb Width
General	FN-2835T-60	60pcs/m	12/24VDC	14.40 W/m	90+	1440 lm/m	634 lm/m	12V=25mm 24V=100mm	12V=5m 24V=9m	10 mm
					95+	1238 lm/m	545 lm/m			
High Efficiency	FN-H2835T-64	64pcs/m	24VDC	7.68 W/m	90+	1029 lm/m	453 lm/m	125mm	5m	10 mm
					95+	968 lm/m	426 lm/m			
	FN-H28350-80	80pcs/m	24VDC	14.40W/m	90+	2275 lm/m	1001 lm/m	100mm	4m	10 mm
Long Run	LN-2835T-60	60pcs/m	24VDC	5.04 W/m	90+	499 lm/m	220 lm/m	100mm	21m	10mm
					95+	413 lm/m	182 lm/m			
				2.4 W/m	90+	230 lm/m	101 lm/m	100mm	50m	10 mm
					95+	190 lm/m	84 lm/m			
	LN-2835T-56	56pcs/m	48VDC	5.76 W/m	90+	668 lm/m	294 lm/m	250mm	35m	10 mm
					95+	553 lm/m	243 lm/m			
Short Cut	FN-F2835A-60	60pcs/m	24VDC	14.4 W/m	90+	1239 lm/m	519 lm/m	33.3mm	5.5m	10 mm
					95+	979lm/m	431 lm/m			

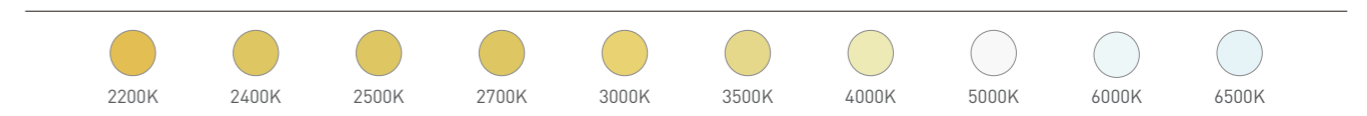
VERTICAL SURFACE MOUNTED SERIES

► SL262524

RECOMMENDED LIGHT SOURCE

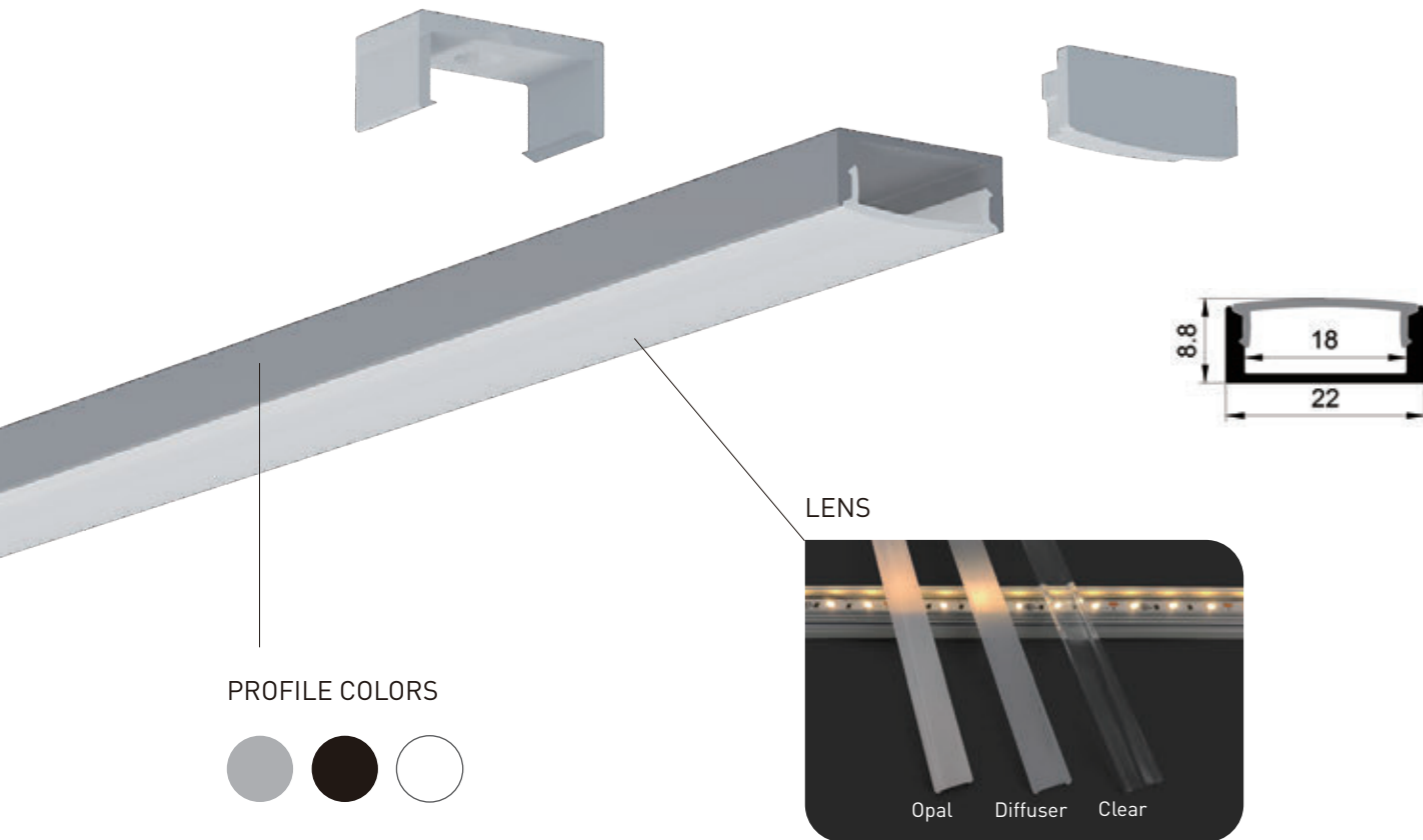
Performance	Part Code	Led Qty	Input Vol.	Power	CRI	Light Source Lumen	Diffuser Lens Lumen	Cutttable length	Max Run	Pcb Width				
General	FN-2835T-120	120pcs/m	12/24VDC	14.40 W/m	90+	1512 lm/m	665lm/m	12V=25mm 24V=50mm	12V=5m 24V=9m	10 mm				
					95+	1282 lm/m	564lm/m							
High Efficiency	FN-H2835T-128	128pcs/m	12/24VDC	11.52 W/m	90+	1613 lm/m	710lm/m	24V=62.5mm	24V=6m	10 mm				
					95+	1475 lm/m	649lm/m							
	FN-H28350-160	160pcs/m	24VDC	24 W/m	90+	3480 lm/m	1700lm/m	50mm	3m	10 mm				
					FN-H2835T-160	160pcs/m	12/24VDC	14.40 W/m	90+	1987 lm/m	874lm/m	24V=50mm	24V=5m	10 mm
									95+	1843 lm/m	811lm/m			
FN-H28350-192	192pcs/m	24VDC	28.8 W/m	90+	4176 lm/m	2040lm/m	41.7mm	2.5m	10 mm					
Long Run	LN-H2835T-80	80pcs/m	36VDC	5.18W/m	90+	580 lm/m	255lm/m	100mm	50m	10 mm				
					95+	482 lm/m	212lm/m							
	LN-H2835T-112	112pcs/m	48VDC	11.52 W/m	90+	1336 lm/m	588lm/m	125mm	25m	10 mm				
					95+	1106 lm/m	487lm/m							
	LN-H2835T-120	120pcs/m	24VDC	6.00 W/m	90+	588 lm/m	259m/m	50mm	21m	10 mm				
					95+	486 lm/m	214lm/m							
Short Cut	FN-F2835A-120	120pcs/m	24VDC	21.60 W/m	90+	1922 lm/m	846lm/m	16.7mm	3.5m	10 mm				
					95+	1595 lm/m	702lm/m							

Remark: 1. The tested data based on silver finish in 4000K, CRI 90+ light source. 2. LN-H2835T-80 is good for long run, but it will show light spot.



VERTICAL SURFACE MOUNTED SERIES

► SL220818



VERTICAL SURFACE MOUNTED SERIES

► SL220818

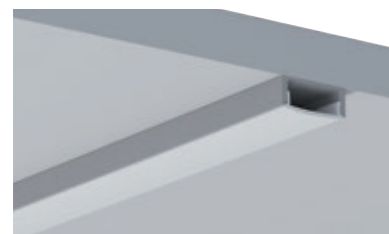
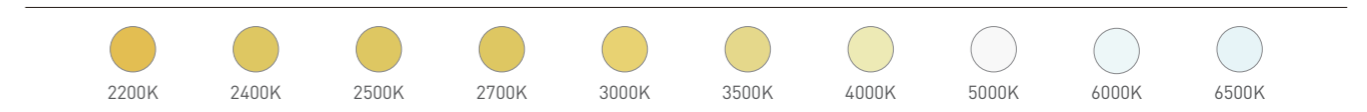
ORDERING CODE

Luminaire	Finish	LENS	Vol.	Power	CRI	CCT	Input Cable	Connector	Wiring
SL220818	W White	D Diffuser	24 24VDC	12.96W/m 17.28W/m	90 90+	22-2200K , 24-2400K 25-2500K , 27-2700K 30-3000K , 35-3500K 40-4000K , 50-5000K 65-6500K	01 - Black&Red 22AWG	A - AMP male/female	B - Through profile back
	B Black	O Opal					02 - Black&White 22AWG	M - Molex male/female	E - Through Endcaps
	S Silver	C Clear				TW Tunable White - check your executive sales	03 - White PU protected 2 pin	D - DC male/female	S - Through profile side
						D2W Dim To Warm - check your executive sales	04 - 3Pin cable for Tunable white		

RECOMMENDED LIGHT SOURCE

Part Code	Led Qty	Input Vol.	Power	CRI	Light Source Lumen	Diffuser Lens Lumen	Cutttable length	Max Run	Pcb Width
FN-2016-180	180pcs/m	24VDC	12.96W/m	90+	1000 lm/m	780 lm/m	33mm	3m	10mm
FN-2016-240	240pcs/m		17.28W/m	90+	1300 lm/m	1014 lm/m	25mm		

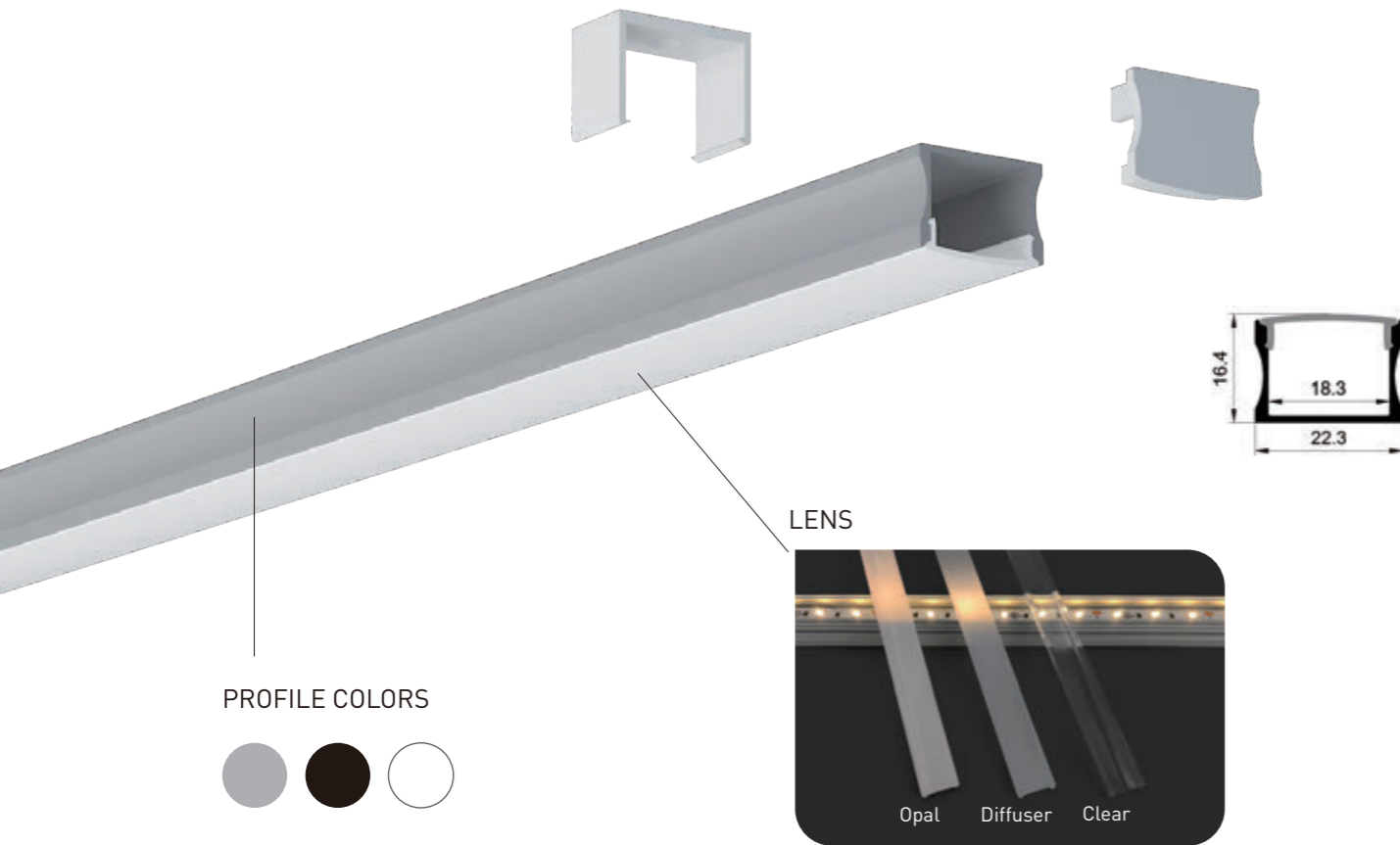
Remark: The tested data based on silver finish in 4000K, CRI 90+ light source.



Installation: Vertical Surface Mounted
 Length Available: 1-3m
 Profile Color: Silver, Black Anodized, White Powder Coating
 Lens: Opal, Diffuser, Clear
 Input Cable: Endcaps, Profile Bottom, Profile Sides
 Quick Female/Male Connectors Input cable & Junction Box available

VERTICAL SURFACE MOUNTED SERIES

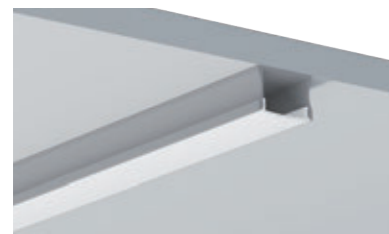
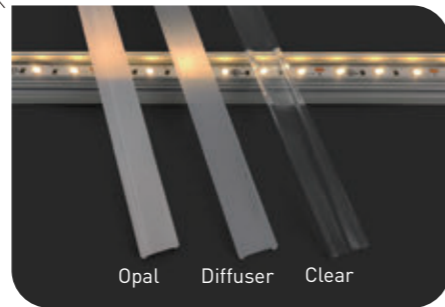
► SL221618



PROFILE COLORS



LENS



Installation: Vertical Surface Mounted
 Length Available: 1-3m
 Profile Color: Silver, Black Anodized, White Powder Coating
 Lens: Opal, Diffuser, Clear
 Input Cable: Endcaps, Profile Bottom, Profile Sides
 Quick Female/Male Connectors Input cable & Junction Box available

VERTICAL SURFACE MOUNTED SERIES

► SL221618

ORDERING CODE

Luminaire	Finish	LENS	Vol.	Power	CRI	CCT	Input Cable	Connector	Wiring
SL221618	W White	D Diffuser	12 12VDC	5.18W/m	90	22-2200K, 24-2400K, 25-2500K 27-2700K, 30-3000K, 35-3500K 40-4000K, 50-5000K, 65-6500K	01 - Black&Red 22AWG 02 - Black&White 22AWG 03 - White PU protected 2 pin 04 - 3Pin cable for Tunable white	A - AMP male/female M - Molex male/female D - DC male/female	B - Through profile back E - Through Endcaps S - Through profile side
	B Black	O Opal	24 24VDC	6.00W/m	90+				
	S Silver	C Clear	36 36VDC	11.52W/m	95	22-2200K, 25-2500K, 27-2700K 30-3000K, 35-3500K, 40-4000K 50-5000K, 65-6500K			
			48 48VDC	14.40W/m	95+				
				21.60W/m					
				24.00W/m					
				28.80W/m					
					TW	Tunable White - check your executive sales			
					D2W	Dim To Warm - check your executive sales			

RECOMMENDED LIGHT SOURCE

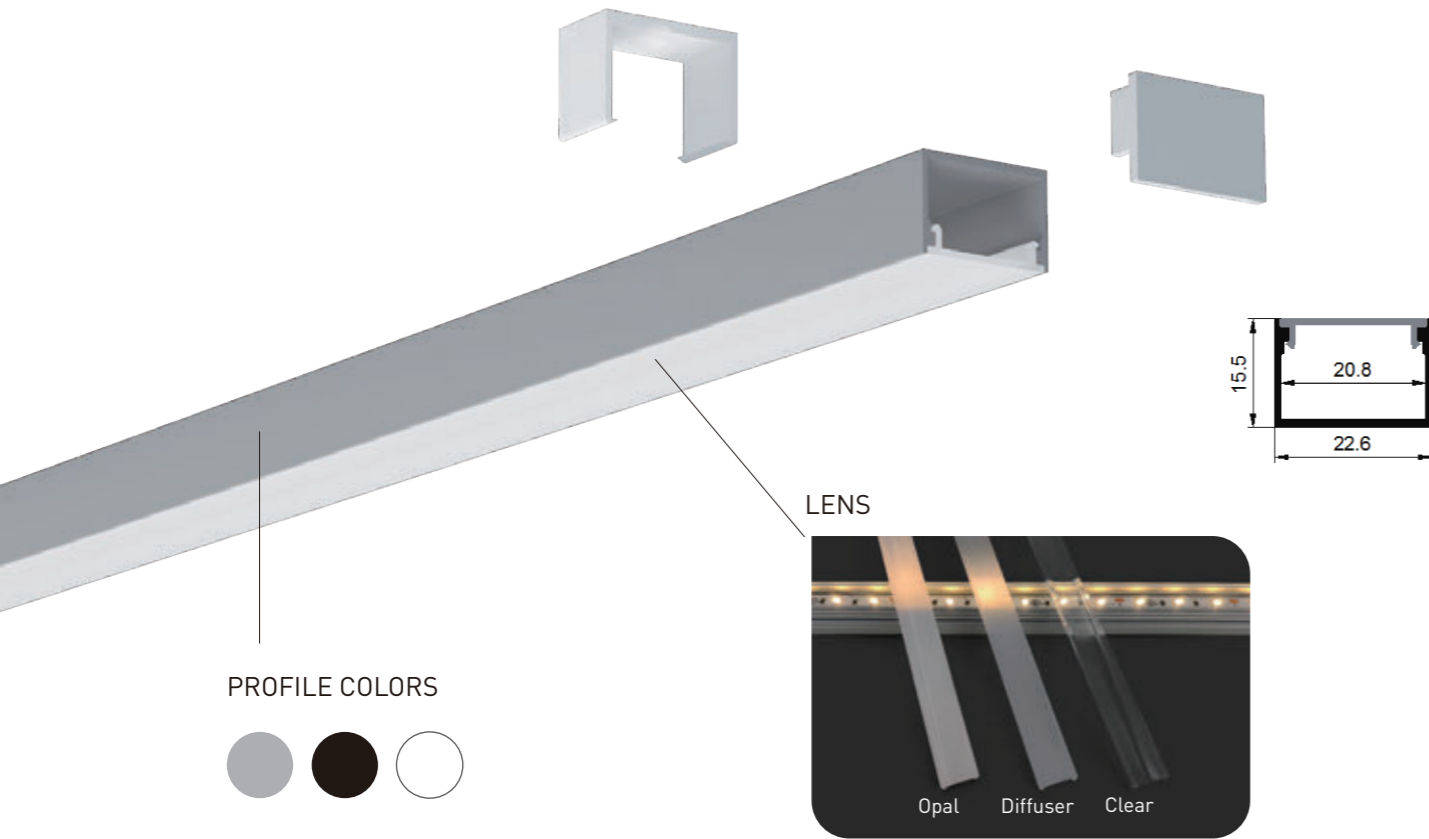
Performance	Part Code	Led Qty	Input Vol.	Power	CRI	Light Source Lumen	Diffuser Lens Lumen	Cuttable length	Max Run	Pcb Width
General	FN-2835T-120	120pcs/m	12/24VDC	14.40 W/m	90+	1512 lm/m	756lm/m	12V=25mm 24V=50mm	12V=5m 24V=9m	10 mm
					95+	1282 lm/m	641lm/m			
High Efficiency	FN-H2835T-128	128pcs/m	24VDC	11.52 W/m	90+	1613 lm/m	807lm/m	24V=62.5mm	24V=6m	10 mm
					95+	1475 lm/m	738lm/m			
	FN-H28350-160	160pcs/m	24VDC	24 W/m	90+	3480 lm/m	1932lm/m	50mm	3m	10 mm
					95+	1987 lm/m	994lm/m			
FN-H2835T-160	160pcs/m	24VDC	14.40 W/m	90+	1843 lm/m	922lm/m	24V=50mm	24V=5m	10 mm	
				95+	1843 lm/m	922lm/m				
FN-H28350-192	192pcs/m	24VDC	28.8 W/m	90+	4176 lm/m	2318lm/m	41.7mm	2.5m	10 mm	
				95+	4176 lm/m	2318lm/m				
Long Run	LN-H2835T-80	80pcs/m	36VDC	5.18W/m	90+	580 lm/m	290lm/m	100mm	50m	10 mm
					95+	482 lm/m	241lm/m			
	LN-H2835T-112	112pcs/m	48VDC	11.52 W/m	90+	1336 lm/m	668lm/m	125mm	25m	10 mm
					95+	1106 lm/m	553lm/m			
	LN-H2835T-120	120pcs/m	24VDC	6.00 W/m	90+	588 lm/m	294lm/m	50mm	21m	10 mm
					95+	486 lm/m	243lm/m			
Short Cut	FN-F2835A-120	120pcs/m	12VDC	21.60 W/m	90+	1922 lm/m	961lm/m	16.7mm	3.5m	10 mm
					95+	1595 lm/m	798lm/m			

Remark: 1. The tested data based on silver finish in 4000K, CRI 90+ light source. 2. LN-H2835T-80 is good for long run, but it will show light spot.



VERTICAL SURFACE MOUNTED SERIES

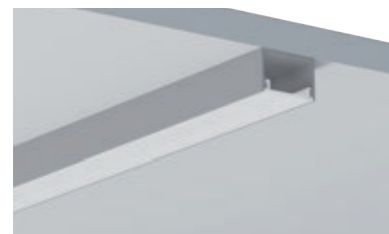
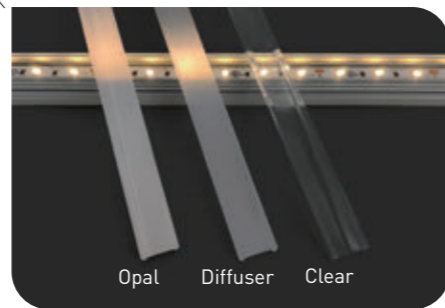
► SL231620



PROFILE COLORS



LENS



Installation: Vertical Surface Mounted
 Length Available: 1-3m
 Profile Color: Silver, Black Anodized, White Powder Coating
 Lens: Opal, Diffuser, Clear
 Input Cable: Endcaps, Profile Bottom, Profile Sides
 Quick Female/Male Connectors Input cable & Junction Box available

VERTICAL SURFACE MOUNTED SERIES

► SL231620

ORDERING CODE

Luminaire	Finish	Lens	Vol.	Power	CRI	CCT	Input Cable	Connector	Wiring
SL231620	W White	D Diffuser	12 12VDC	5.18W/m	90	22-2200K, 24-2400K, 25-2500K 27-2700K, 30-3000K, 35-3500K 40-4000K, 50-5000K, 65-6500K	01 - Black&Red 22AWG 02 - Black&White 22AWG 03 - White PU protected 2 pin 04 - 3Pin cable for Tunable white	A - AMP male/female M - Molex male/female D - DC male/female	B - Through profile back E - Through Endcaps S - Through profile side
	B Black	O Opal	24 24VDC	6.00W/m	95				
	S Silver	C Clear	36 36VDC	11.52W/m	95+	22-2200K, 25-2500K, 27-2700K 30-3000K, 35-3500K, 40-4000K 50-5000K, 65-6500K			
			48 48VDC	14.40W/m	TW				
				21.60W/m					
				24.00W/m					
				28.80W/m	D2W	Dim To Warm - check your executive sales			

RECOMMENDED LIGHT SOURCE

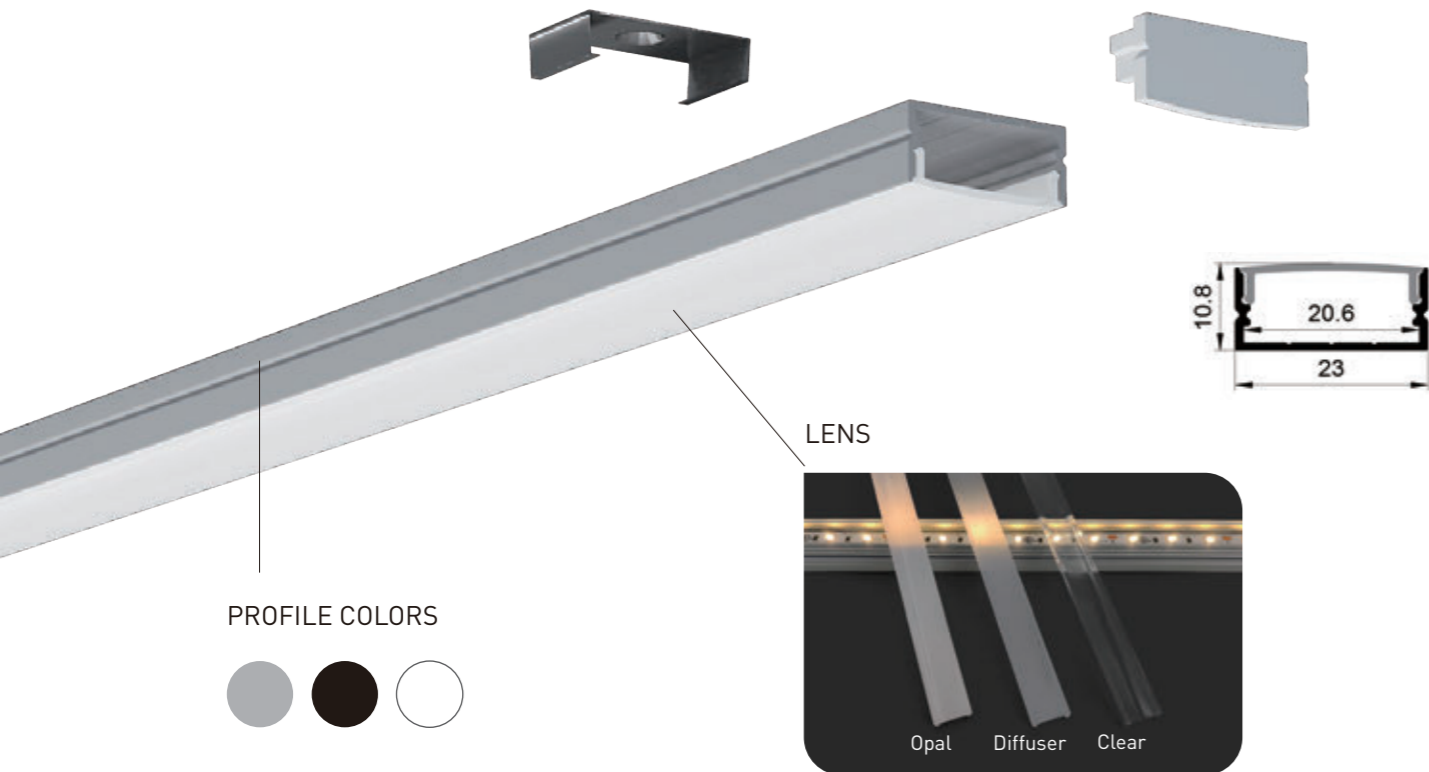
Performance	Part Code	Led Qty	Input Vol.	Power	CRI	Light Source Lumen	Diffuser Lens Lumen	Cuttible length	Max Run	Pcb Width
General	FN-2835T-120	120pcs/m	12/24VDC	14.40 W/m	90+	1512 lm/m	756lm/m	12V=25mm 24V=50mm	12V=5m 24V=9m	10 mm
					95+	1282 lm/m	641lm/m			
High Efficiency	FN-H2835T-128	128pcs/m	24VDC	11.52 W/m	90+	1613 lm/m	807lm/m	24V=62.5mm	24V=6m	10 mm
					95+	1475 lm/m	738lm/m			
	FN-H28350-160	160pcs/m	24VDC	24 W/m	90+	3480 lm/m	1932lm/m	50mm	3m	10 mm
					95+	1987 lm/m	994lm/m			
Long Run	LN-H2835T-80	80pcs/m	36VDC	5.18W/m	90+	580 lm/m	290lm/m	100mm	50m	10 mm
					95+	482 lm/m	241lm/m			
					90+	1336 lm/m	668lm/m			
95+	1106 lm/m	553lm/m								
Short Cut	FN-F2835A-120	120pcs/m	12VDC	21.60 W/m	90+	588 lm/m	294lm/m	50mm	21m	10 mm
					95+	486 lm/m	243lm/m			
					90+	1922 lm/m	961lm/m			
95+	1595 lm/m	798lm/m								

Remark: 1. The tested data based on silver finish in 4000K, CRI 90+ light source. 2. LN-H2835T-80 is good for long run, but it will show light spot.



VERTICAL SURFACE MOUNTED SERIES

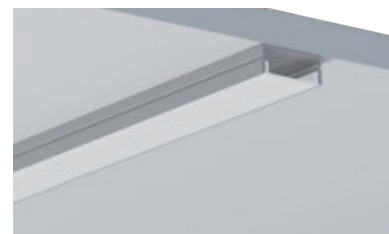
► SL231020



PROFILE COLORS



Opal Diffuser Clear



Installation: Vertical Surface Mounted
 Length Available: 1-3m
 Profile Color: Silver, Black Anodized, White Powder Coating
 Lens: Opal, Diffuser, Clear
 Input Cable: Endcaps, Profile Bottom, Profile Sides
 Quick Female/Male Connectors Input cable & Junction Box available

VERTICAL SURFACE MOUNTED SERIES

► SL231020

ORDERING CODE

Luminaire	Finish	Lens	Vol.	Power	CRI	CCT	Input Cable	Connector	Wiring
SL231020	W White	D Diffuser	12 12VDC	5.18W/m	90 90+	22-2200K , 24-2400K , 25-2500K 27-2700K , 30-3000K , 35-3500K 40-4000K , 50-5000K , 65-6500K	01 - Black&Red 22AWG	A - AMP male/female	B - Through profile back
	B Black	O Opal	24 24VDC	11.52W/m	95 95+	22-2200K , 25-2500K , 27-2700K 30-3000K , 35-3500K , 40-4000K 50-5000K , 65-6500K	02 - Black&White 22AWG	M - Molex male/female	E - Through Endcaps
	S Silver	C Clear	36 36VDC	14.40W/m			03 - White PU protected 2 pin	D - DC male/female	S - Through profile side
			48 48VDC	21.60W/m 24.00W/m 28.80W/m			04 - 3Pin cable for Tunable white		
					TW	Tunable White - check your executive sales			
					D2W	Dim To Warm - check your executive sales			

RECOMMENDED LIGHT SOURCE

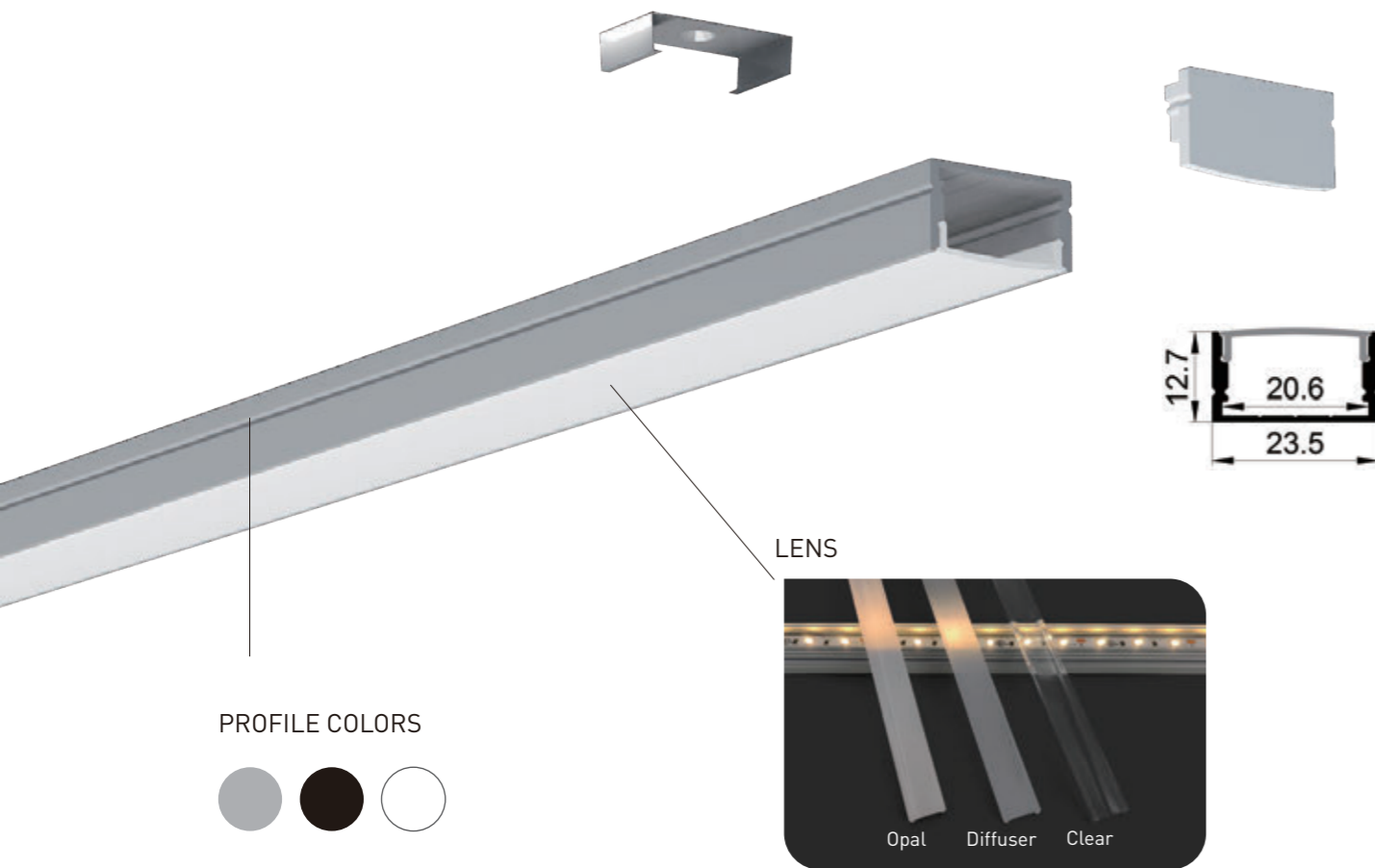
Performance	Part Code	Led Qty	Input Vol.	Power	CRI	Light Source Lumen	Diffuser Lens Lumen	Cuttable length	Max Run	Pcb Width
General	FN-2835T-120	120pcs/m	12/24VDC	14.40 W/m	90+	1512 lm/m	877lm/m	12V=25mm 24V=50mm	12V=5m 24V=9m	10 mm
					95+	1282 lm/m	744lm/m			
High Efficiency	FN-H2835T-128	128pcs/m	24VDC	11.52 W/m	90+	1613 lm/m	936lm/m	24V=62.5mm	24V=6m	10 mm
					95+	1475 lm/m	856lm/m			
	FN-H28350-160	160pcs/m	24VDC	24 W/m	90+	3480 lm/m	2241lm/m	50mm	3m	10 mm
					95+	1987 lm/m	1152lm/m	24V=50mm	24V=5m	10 mm
FN-H2835T-160	160pcs/m	24VDC	14.40 W/m	90+	1843 lm/m	1069lm/m				
				95+	1843 lm/m	1069lm/m				
FN-H28350-192	192pcs/m	24VDC	28.8 W/m	90+	4176 lm/m	2289lm/m	41.7mm	2.5m	10 mm	
				95+	4176 lm/m	2289lm/m				
Long Run	LN-H2835T-80	80pcs/m	36VDC	5.18W/m	90+	580 lm/m	336lm/m	100mm	50m	10 mm
					95+	482 lm/m	280lm/m			
	LN-H2835T-112	112pcs/m	48VDC	11.52 W/m	90+	1336 lm/m	779lm/m	125mm	25m	10 mm
					95+	1106 lm/m	641lm/m			
	LN-H2835T-120	120pcs/m	24VDC	6.00 W/m	90+	588 lm/m	341lm/m	50mm	21m	10 mm
					95+	486 lm/m	282lm/m			
Short Cut	FN-F2835A-120	120pcs/m	12VDC	21.60 W/m	90+	1922 lm/m	1115lm/m	16.7mm	3.5m	10 mm
					95+	1595 lm/m	925lm/m			

Remark: 1. The tested data based on silver finish in 4000K, CRI 90+ light source. 2. LN-H2835T-80 is good for long run, but it will show light spot.



VERTICAL SURFACE MOUNTED SERIES

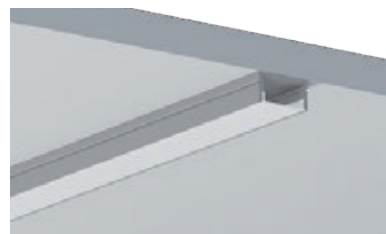
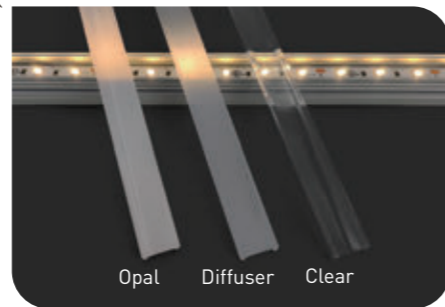
► SL231220



PROFILE COLORS



LENS



Installation: Vertical Surface Mounted
 Length Available: 1-3m
 Profile Color: Silver, Black Anodized, White Powder Coating
 Lens: Opal, Diffuser, Clear
 Input Cable: Endcaps, Profile Bottom, Profile Sides
 Quick Female/Male Connectors Input cable & Junction Box available

VERTICAL SURFACE MOUNTED SERIES

► SL231220

ORDERING CODE

Luminaire	Finish	Lens	Vol.	Power	CRI	CCT	Input Cable	Connector	Wiring
SL231220	W White	D Diffuser	12 12VDC	5.18W/m	90	22-2200K , 24-2400K , 25-2500K 27-2700K , 30-3000K , 35-3500K 40-4000K , 50-5000K , 65-6500K	01 - Black&Red 22AWG 02 - Black&White 22AWG 03 - White PU protected 2 pin 04 - 3Pin cable for Tunable white	A - AMP male/female M - Molex male/female D - DC male/female	B - Through profile back E - Through Endcaps S - Through profile side
	B Black	O Opal	24 24VDC	11.52W/m	95				
	S Silver	C Clear	36 36VDC	14.40W/m	95+	TW Tunable White - check your executive sales			
			48 48VDC	21.60W/m 24.00W/m 28.80W/m	D2W Dim To Warm - check your executive sales				

RECOMMENDED LIGHT SOURCE

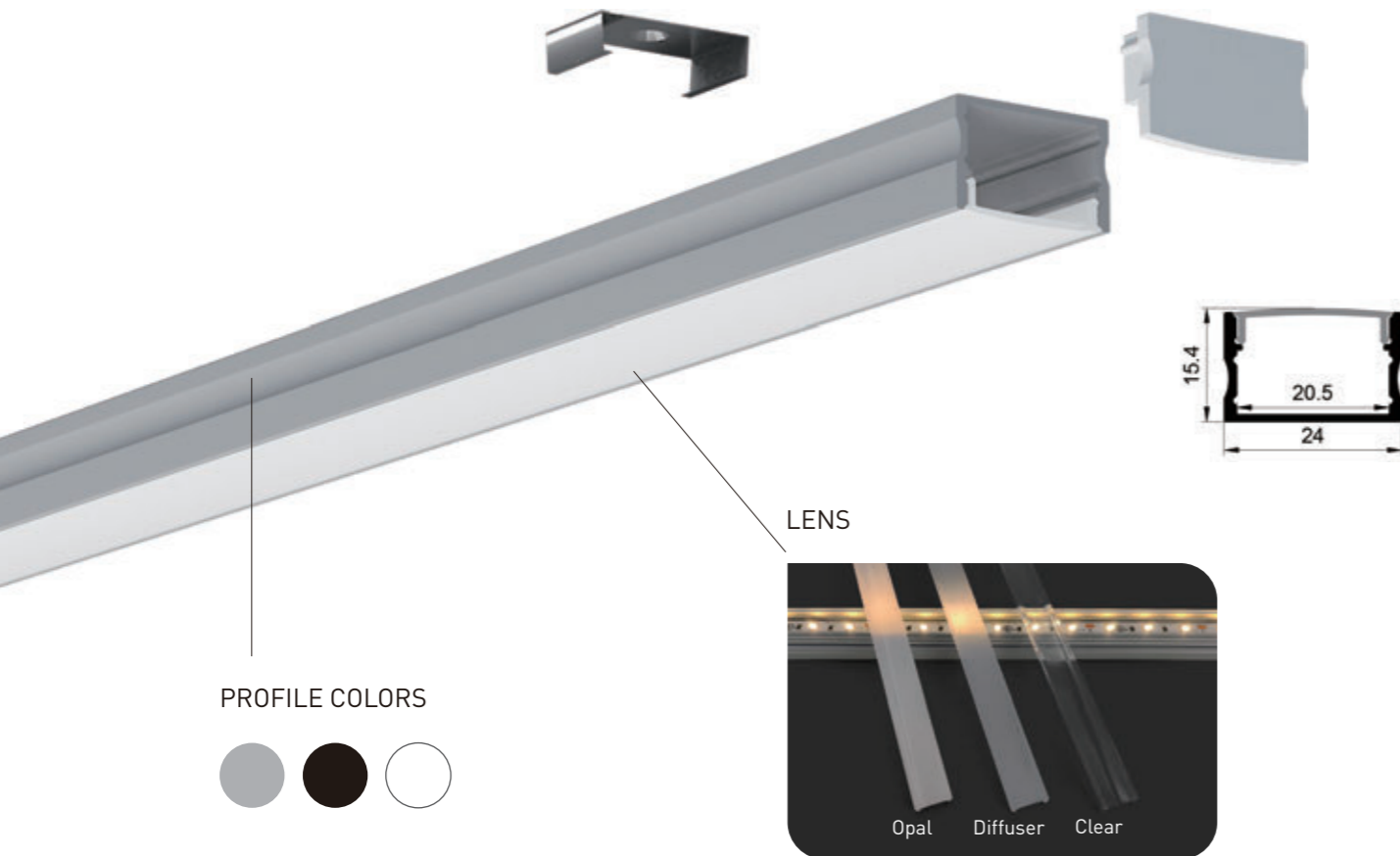
Performance	Part Code	Led Qty	Input Vol.	Power	CRI	Light Source Lumen	Diffuser Lens Lumen	Cuttable length	Max Run	Pcb Width
General	FN-2835T-120	120pcs/m	12/24VDC	14.40 W/m	90+	1512 lm/m	877lm/m	12V=25mm 24V=50mm	12V=5m 24V=9m	10 mm
					95+	1282 lm/m	744lm/m			
High Efficiency	FN-H2835T-128	128pcs/m	24VDC	11.52 W/m	90+	1613 lm/m	936lm/m	24V=62.5mm	24V=6m	10 mm
					95+	1475 lm/m	856lm/m			
	FN-H28350-160	160pcs/m	24VDC	24 W/m	90+	3480 lm/m	2241lm/m	50mm	3m	10 mm
					95+	1987 lm/m	1152lm/m			
FN-H2835T-160	160pcs/m	24VDC	14.40 W/m	90+	1843 lm/m	1069lm/m	24V=50mm	24V=5m	10 mm	
				95+	1843 lm/m	1069lm/m				
FN-H28350-192	192pcs/m	24VDC	28.8 W/m	90+	4176 lm/m	2289lm/m	41.7mm	2.5m	10 mm	
				95+	4176 lm/m	2289lm/m				
Long Run	LN-H2835T-80	80pcs/m	36VDC	5.18W/m	90+	580 lm/m	336lm/m	100mm	50m	10 mm
					95+	482 lm/m	280lm/m			
	LN-H2835T-112	112pcs/m	48VDC	11.52 W/m	90+	1336 lm/m	779lm/m	125mm	25m	10 mm
					95+	1106 lm/m	641lm/m			
	LN-H2835T-120	120pcs/m	24VDC	6.00 W/m	90+	588 lm/m	341lm/m	50mm	21m	10 mm
					95+	486 lm/m	282lm/m			
Short Cut	FN-F2835A-120	120pcs/m	12VDC	21.60 W/m	90+	1922 lm/m	1115lm/m	16.7mm	3.5m	10 mm
					95+	1595 lm/m	925lm/m			

Remark: 1. The tested data based on silver finish in 4000K, CRI 90+ light source. 2. LN-H2835T-80 is good for long run, but it will show light spot.

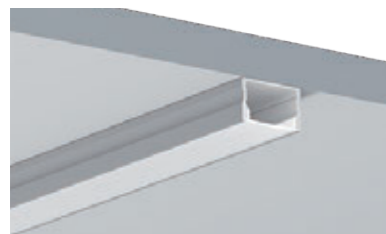


VERTICAL SURFACE MOUNTED SERIES

► SL241620



PROFILE COLORS



Installation: Vertical Surface Mounted
 Length Available: 1-3m
 Profile Color: Silver, Black Anodized, White Powder Coating
 Lens: Opal, Diffuser, Clear
 Input Cable: Endcaps, Profile Bottom, Profile Sides
 Quick Female/Male Connectors Input cable & Junction Box available

VERTICAL SURFACE MOUNTED SERIES

► SL241620

ORDERING CODE

Luminaire	Finish	Lens	Vol.	Power	CRI	CCT	Input Cable	Connector	Wiring
SL241620	W White	D Diffuser	12 12VDC	5.18W/m	90 90+	22-2200K , 24-2400K , 25-2500K 27-2700K , 30-3000K , 35-3500K 40-4000K , 50-5000K , 65-6500K	01 - Black&Red 22AWG	A - AMP male/female	B - Through profile back
	B Black	O Opal	24 24VDC	11.52W/m	95 95+	22-2200K , 25-2500K , 27-2700K 30-3000K , 35-3500K , 40-4000K 50-5000K , 65-6500K	02 - Black&White 22AWG	M - Molex male/female	E - Through Endcaps
	S Silver	C Clear	36 36VDC	14.40W/m			03 - White PU protected 2 pin	D - DC male/female	S - Through profile side
			48 48VDC	21.60W/m 24.00W/m 28.80W/m				04 - 3Pin cable for Tunable white	
					TW	Tunable White - check your executive sales			
					D2W	Dim To Warm - check your executive sales			

RECOMMENDED LIGHT SOURCE

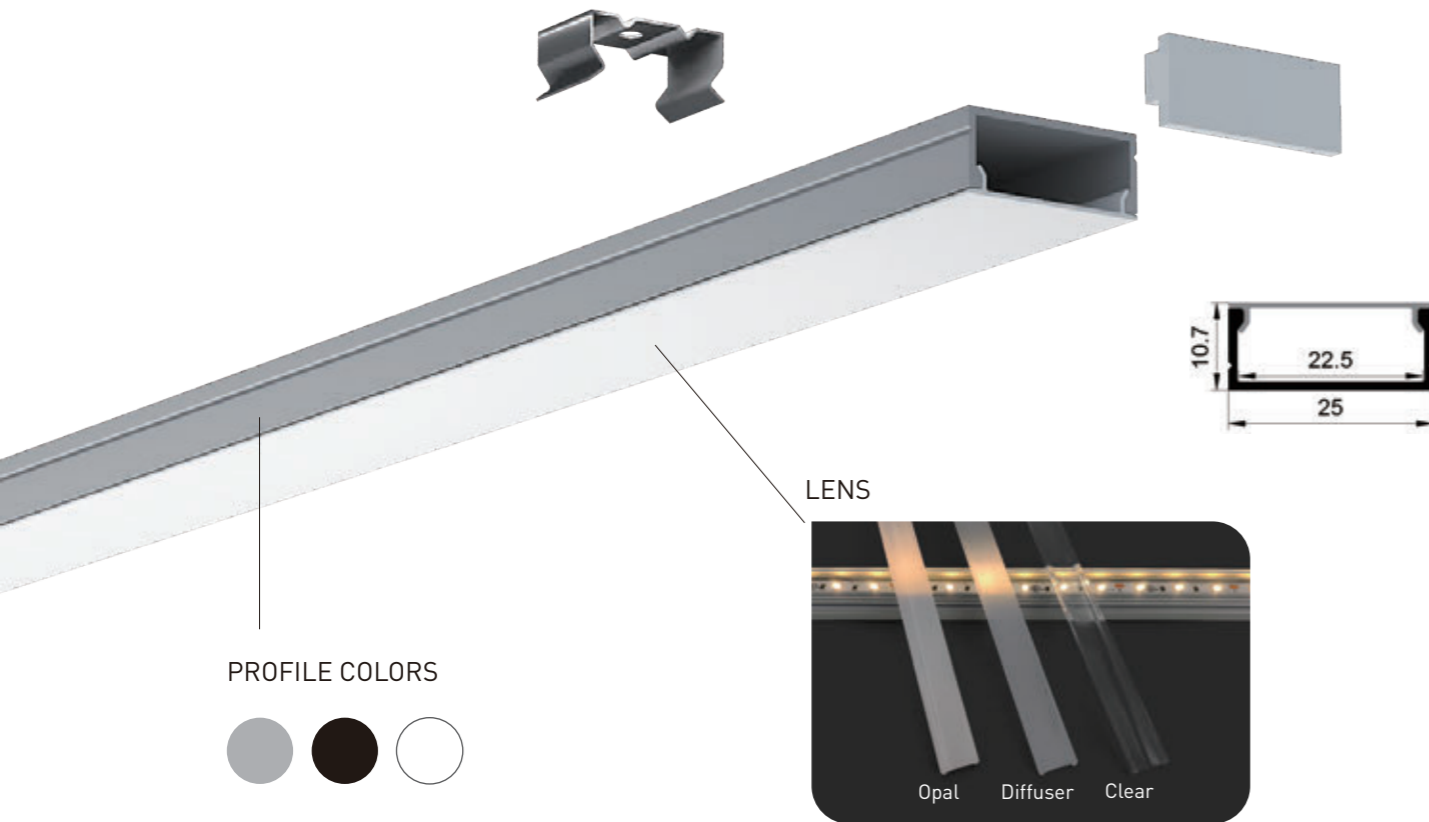
Performance	Part Code	Led Qty	Input Vol.	Power	CRI	Light Source Lumen	Diffuser Lens Lumen	Cuttable length	Max Run	Pcb Width
General	FN-2835T-120	120pcs/m	12/24VDC	14.40 W/m	90+	1512 lm/m	877lm/m	12V=25mm 24V=50mm	12V=5m 24V=9m	10 mm
					95+	1282 lm/m	744lm/m			
High Efficiency	FN-H2835T-128	128pcs/m	24VDC	11.52 W/m	90+	1613 lm/m	936lm/m	24V=62.5mm	24V=6m	10 mm
					95+	1475 lm/m	856lm/m			
	FN-H28350-160	160pcs/m	24VDC	24 W/m	90+	3480 lm/m	2241lm/m	50mm	3m	10 mm
					95+	1987 lm/m	1152lm/m	24V=50mm	24V=5m	10 mm
FN-H2835T-160	160pcs/m	24VDC	14.40 W/m	90+	1843 lm/m	1069lm/m				
FN-H28350-192	192pcs/m	24VDC	28.8 W/m	90+	4176 lm/m	2289lm/m	41.7mm	2.5m	10 mm	
Long Run	LN-H2835T-80	80pcs/m	36VDC	5.18W/m	90+	580 lm/m	336lm/m	100mm	50m	10 mm
					95+	482 lm/m	280lm/m			
	LN-H2835T-112	112pcs/m	48VDC	11.52 W/m	90+	1336 lm/m	779lm/m	125mm	25m	10 mm
					95+	1106 lm/m	641lm/m			
	LN-H2835T-120	120pcs/m	24VDC	6.00 W/m	90+	588 lm/m	341lm/m	50mm	21m	10 mm
					95+	486 lm/m	282lm/m			
Short Cut	FN-F2835A-120	120pcs/m	12VDC	21.60 W/m	90+	1922 lm/m	1115lm/m	16.7mm	3.5m	10 mm
					95+	1595 lm/m	925lm/m			

Remark: 1. The tested data based on silver finish in 4000K, CRI 90+ light source. 2. LN-H2835T-80 is good for long run, but it will show light spot.



VERTICAL SURFACE MOUNTED SERIES

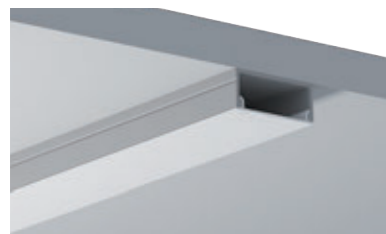
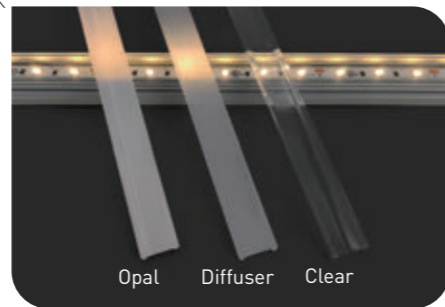
► SL251122



PROFILE COLORS



LENS



Installation: Vertical Surface Mounted
 Length Available: 1-3m
 Profile Color: Silver, Black Anodized, White Powder Coating
 Lens: Opal, Diffuser, Clear
 Input Cable: Endcaps, Profile Bottom, Profile Sides
 Quick Female/Male Connectors Input cable & Junction Box available

VERTICAL SURFACE MOUNTED SERIES

► SL251122

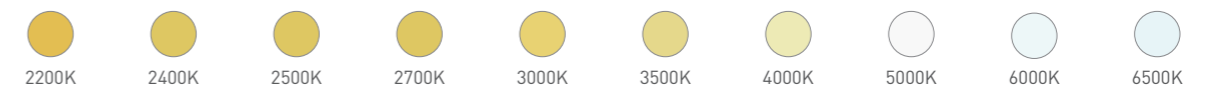
ORDERING CODE

Luminaire	Finish	Lens	Vol.	Power	CRI	CCT	Input Cable	Connector	Wiring
SL251122	W White	D Diffuser	12 12VDC	5.18W/m	90 90+	22-2200K , 24-2400K , 25-2500K 27-2700K , 30-3000K , 35-3500K 40-4000K , 50-5000K , 65-6500K	01 - Black&Red 22AWG	A - AMP male/female	B - Through profile back
	B Black	O Opal	24 24VDC	11.52W/m	95 95+	22-2200K , 25-2500K , 27-2700K 30-3000K , 35-3500K , 40-4000K 50-5000K , 65-6500K	02 - Black&White 22AWG	M - Molex male/female	E - Through Endcaps
	S Silver	C Clear	36 36VDC	14.40W/m	TW	Tunable White - check your executive sales	03 - White PU protected 2 pin	D - DC male/female	S - Through profile side
			48 48VDC	21.60W/m 24.00W/m 28.80W/m	D2W	Dim To Warm - check your executive sales	04 - 3Pin cable for Tunable white		

RECOMMENDED LIGHT SOURCE

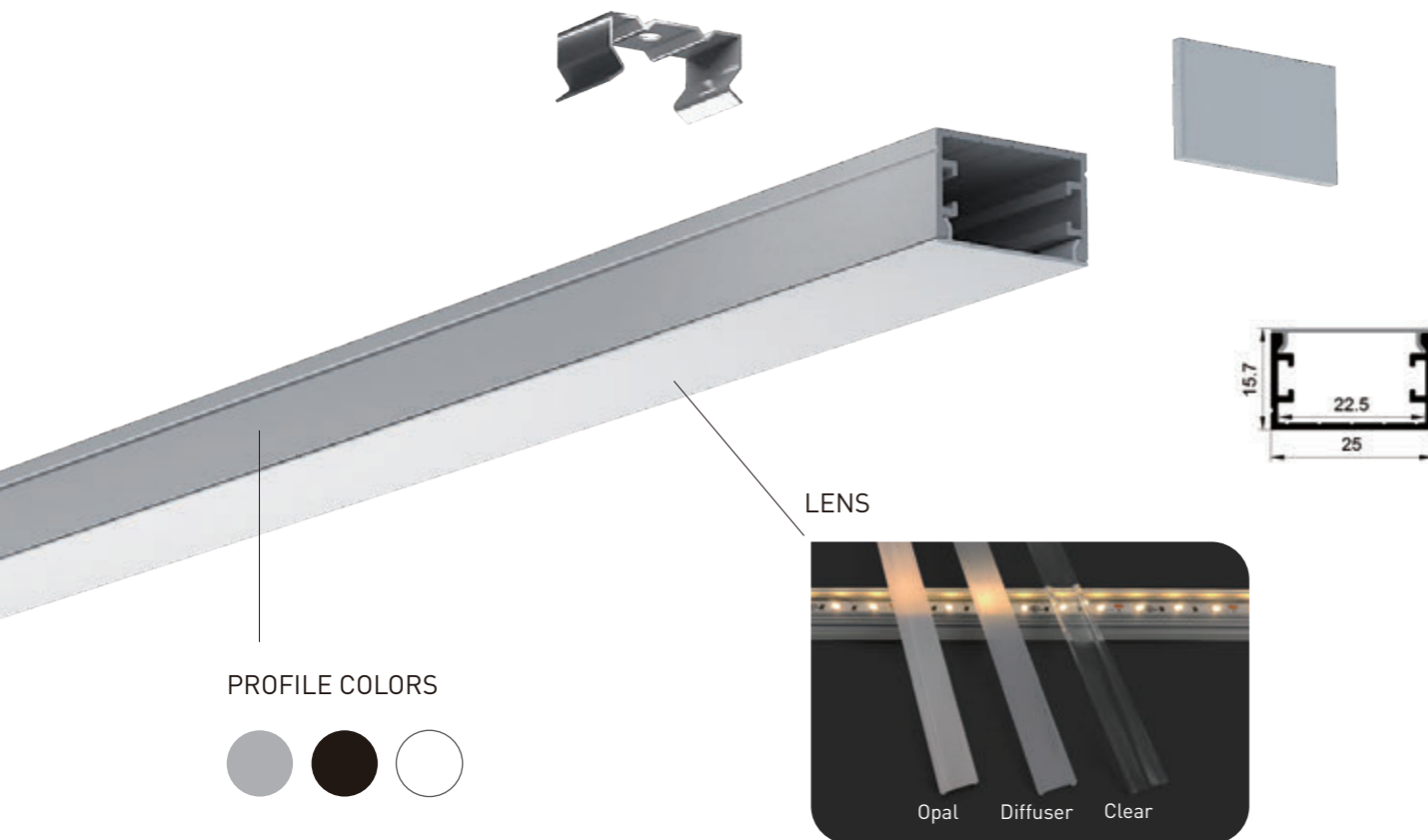
Performance	Part Code	Led Qty	Input Vol.	Power	CRI	Light Source Lumen	Diffuser Lens Lumen	Cuttible length	Max Run	Pcb Width
General	FN-2835T-120	120pcs/m	12/24VDC	14.40 W/m	90+	1512 lm/m	877lm/m	12V=25mm 24V=50mm	12V=5m 24V=9m	10 mm
					95+	1282 lm/m	744lm/m			
High Efficiency	FN-H2835T-128	128pcs/m	24VDC	11.52 W/m	90+	1613 lm/m	936lm/m	24V=62.5mm	24V=6m	10 mm
					95+	1475 lm/m	856lm/m			
	FN-H28350-160	160pcs/m	24VDC	24 W/m	90+	3480 lm/m	2241lm/m	50mm	3m	10 mm
					95+	1987 lm/m	1152lm/m	24V=50mm	24V=5m	10 mm
Long Run	LN-H2835T-80	80pcs/m	36VDC	5.18W/m	90+	580 lm/m	336lm/m	100mm	50m	10 mm
					95+	482 lm/m	280lm/m			
	LN-H2835T-112	112pcs/m	48VDC	11.52 W/m	90+	1336 lm/m	779lm/m	125mm	25m	10 mm
95+					1106 lm/m	641lm/m				
Short Cut	FN-F2835A-120	120pcs/m	12VDC	21.60 W/m	90+	588 lm/m	341lm/m	50mm	21m	10 mm
					95+	486 lm/m	282lm/m			
					90+	1922 lm/m	1115lm/m	16.7mm	3.5m	10 mm
					95+	1595 lm/m	925lm/m			

Remark: 1. The tested data based on silver finish in 4000K, CRI 90+ light source. 2. LN-H2835T-80 is good for long run, but it will show light spot.



VERTICAL SURFACE MOUNTED SERIES

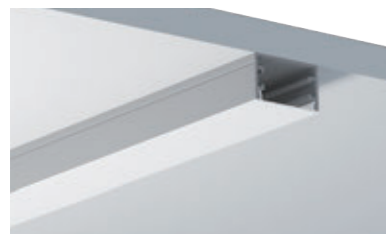
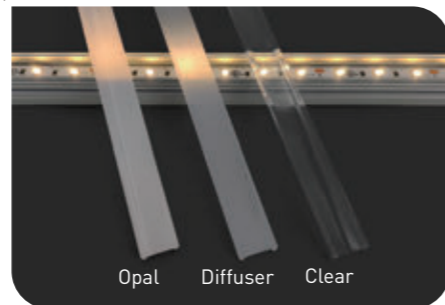
► SL251622



PROFILE COLORS



LENS



Installation: Vertical Surface Mounted
 Length Available: 1-3m
 Profile Color: Silver, Black Anodized, White Powder Coating
 Lens: Opal, Diffuser, Clear
 Input Cable: Endcaps, Profile Bottom, Profile Sides
 Quick Female/Male Connectors Input cable & Junction Box available

VERTICAL SURFACE MOUNTED SERIES

► SL251622

ORDERING CODE

Luminaire	Finish	Lens	Vol.	Power	CRI	CCT	Input Cable	Connector	Wiring
SL251622	W White	D Diffuser	12 12VDC	5.18W/m	90 90+	22-2200K , 24-2400K , 25-2500K 27-2700K , 30-3000K , 35-3500K 40-4000K , 50-5000K , 65-6500K	01 - Black&Red 22AWG	A - AMP male/female	B - Through profile back
	B Black	O Opal	24 24VDC	11.52W/m	95 95+	22-2200K , 25-2500K , 27-2700K 30-3000K , 35-3500K , 40-4000K 50-5000K , 65-6500K	02 - Black&White 22AWG	M - Molex male/female	E - Through Endcaps
	S Silver	C Clear	36 36VDC	14.40W/m			03 - White PU protected 2 pin	D - DC male/female	S - Through profile side
			48 48VDC	21.60W/m 24.00W/m 28.80W/m				04 - 3Pin cable for Tunable white	
					TW	Tunable White - check your executive sales			
					D2W	Dim To Warm - check your executive sales			

RECOMMENDED LIGHT SOURCE

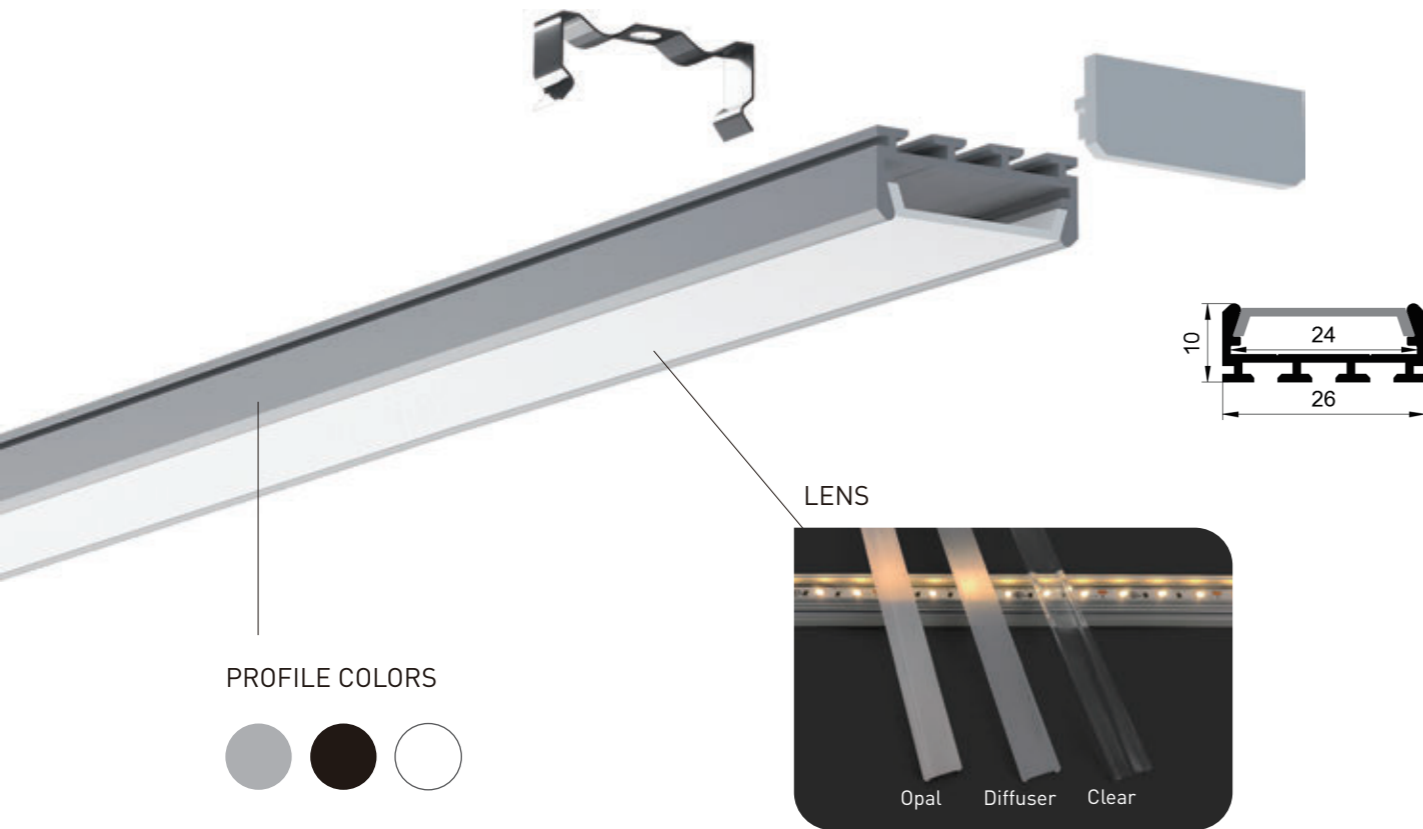
Performance	Part Code	Led Qty	Input Vol.	Power	CRI	Light Source Lumen	Diffuser Lens Lumen	Cuttable length	Max Run	Pcb Width
General	FN-2835T-120	120pcs/m	12/24VDC	14.40 W/m	90+	1512 lm/m	877lm/m	12V=25mm 24V=50mm	12V=5m 24V=9m	10 mm
					95+	1282 lm/m	744lm/m			
High Efficiency	FN-H2835T-128	128pcs/m	24VDC	11.52 W/m	90+	1613 lm/m	936lm/m	24V=62.5mm	24V=6m	10 mm
					95+	1475 lm/m	856lm/m			
	FN-H28350-160	160pcs/m	24VDC	24 W/m	90+	3480 lm/m	2241lm/m	50mm	3m	10 mm
					95+	1987 lm/m	1152lm/m	24V=50mm	24V=5m	10 mm
FN-H2835T-160	160pcs/m	24VDC	14.40 W/m	90+	1843 lm/m	1069lm/m				
				95+	1843 lm/m	1069lm/m				
FN-H28350-192	192pcs/m	24VDC	28.8 W/m	90+	4176 lm/m	2289lm/m	41.7mm	2.5m	10 mm	
				95+	4176 lm/m	2289lm/m				
Long Run	LN-H2835T-80	80pcs/m	36VDC	5.18W/m	90+	580 lm/m	336lm/m	100mm	50m	10 mm
					95+	482 lm/m	280lm/m			
	LN-H2835T-112	112pcs/m	48VDC	11.52 W/m	90+	1336 lm/m	779lm/m	125mm	25m	10 mm
					95+	1106 lm/m	641lm/m			
	LN-H2835T-120	120pcs/m	24VDC	6.00 W/m	90+	588 lm/m	341lm/m	50mm	21m	10 mm
					95+	486 lm/m	282lm/m			
Short Cut	FN-F2835A-120	120pcs/m	12VDC	21.60 W/m	90+	1922 lm/m	1115lm/m	16.7mm	3.5m	10 mm
					95+	1595 lm/m	925lm/m			

Remark: 1. The tested data based on silver finish in 4000K, CRI 90+ light source. 2. LN-H2835T-80 is good for long run, but it will show light spot.



VERTICAL SURFACE MOUNTED SERIES

► SL261024



VERTICAL SURFACE MOUNTED SERIES

► SL261024

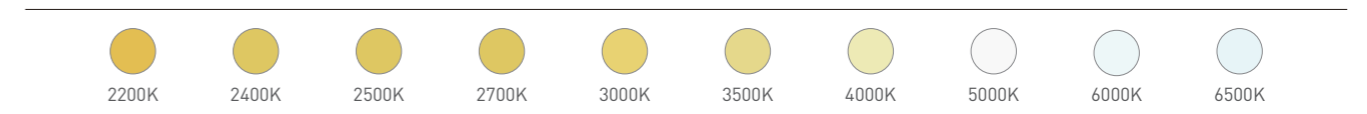
ORDERING CODE

Luminaire	Finish	Lens	Vol.	Power	CRI	CCT	Input Cable	Connector	Wiring
SL261024	W White	D Diffuser	24 24VDC	12.96W/m 17.28W/m	90 90+	22-2200K , 24-2400K 25-2500K , 27-2700K 30-3000K , 35-3500K 40-4000K , 50-5000K 65-6500K	01 - Black&Red 22AWG 02 - Black&White 22AWG 03 - White PU protected 2 pin 04 - 3Pin cable for Tunable white	A - AMP male/female M - Molex male/female D - DC male/female	B - Through profile back E - Through Endcaps S - Through profile side
	B Black	O Opal							
	S Silver	C Clear							
					TW	Tunable White - check your executive sales			
					D2W	Dim To Warm - check your executive sales			

RECOMMENDED LIGHT SOURCE

Part Code	Led Qty	Input Vol.	Power	CRI	Light Source Lumen	Diffuser Lens Lumen	Cutttable length	Max Run	Pcb Width
FN-2016-180	180pcs/m	24VDC	12.96W/m	90+	1000 lm/m	780 lm/m	33mm	3m	10mm
FN-2016-240	240pcs/m		17.28W/m	90+	1300 lm/m	1014 lm/m	25mm		

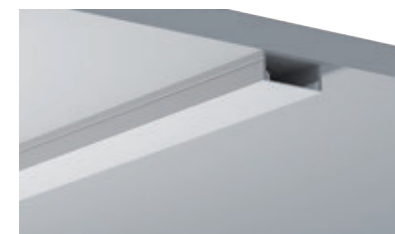
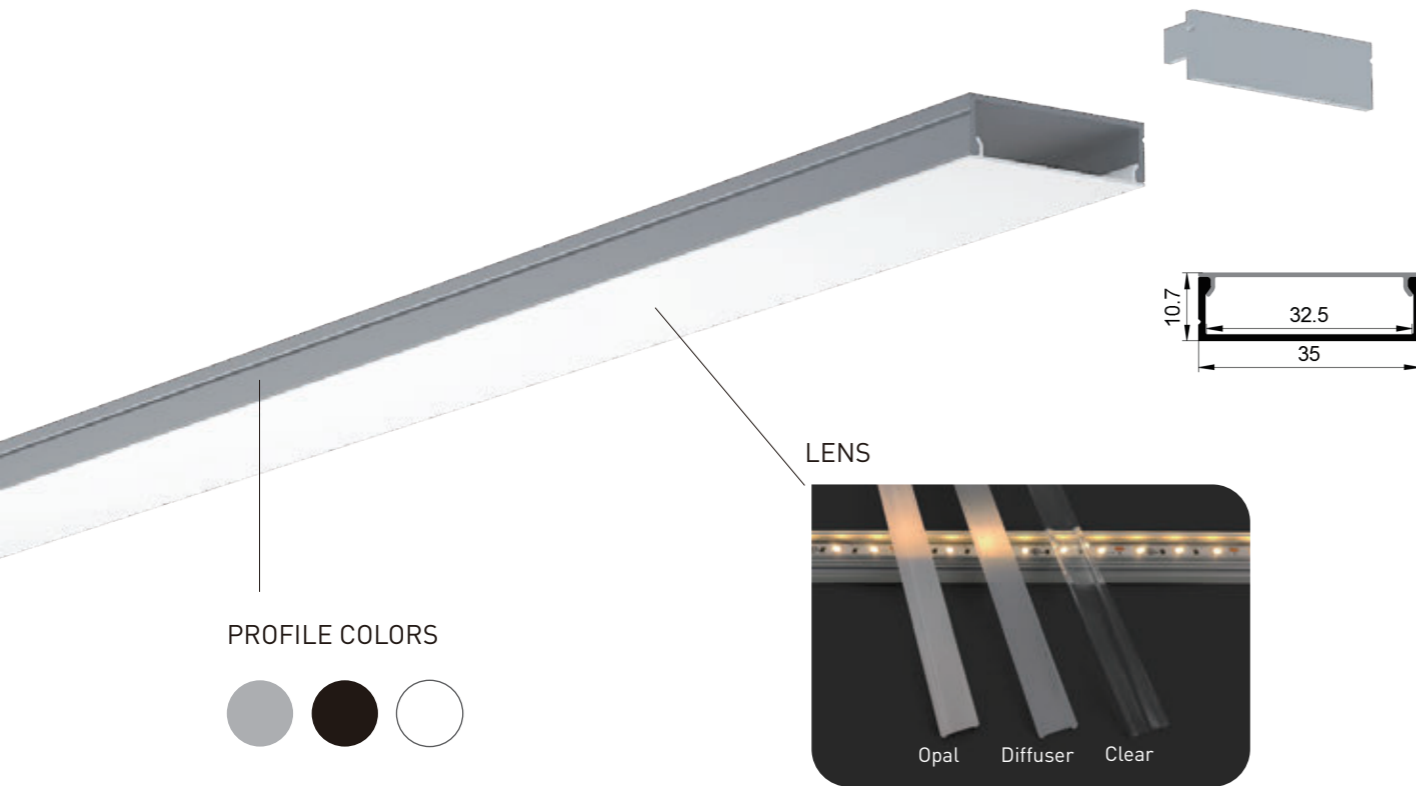
Remark: The tested data based on silver finish in 4000K, CRI 90+ light source.



Installation: Vertical Surface Mounted
 Length Available: 1-3m
 Profile Color: Silver, Black Anodized, White Powder Coating
 Lens: Opal, Diffuser, Clear
 Input Cable: Endcaps, Profile Bottom, Profile Sides
 Quick Female/Male Connectors Input cable & Junction Box available

VERTICAL SURFACE MOUNTED SERIES

► SL351132



Installation: Vertical Surface Mounted
 Length Available: 1-3m
 Profile Color: Silver, Black Anodized, White Powder Coating
 Lens: Opal, Diffuser, Clear
 Input Cable: Endcaps, Profile Bottom, Profile Sides
 Quick Female/Male Connectors Input cable & Junction Box available

VERTICAL SURFACE MOUNTED SERIES

► SL351132

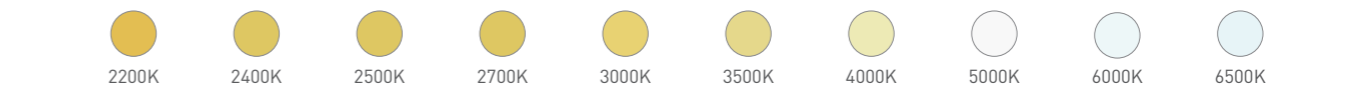
ORDERING CODE

Luminaire	Finish	Lens	Vol.	Power	CRI	CCT	Input Cable	Connector	Wiring
SL351132	W White	D Diffuser	12 12VDC	21.60W/m	90 90+	22-2200K, 24-2400K, 25-2500K 27-2700K, 30-3000K, 35-3500K 40-4000K, 50-5000K, 65-6500K	01 - Black&Red 22AWG	A - AMP male/female	B - Through profile back
	B Black	O Opal	24 24VDC	28.80W/m	95 95+	22-2200K, 25-2500K, 27-2700K 30-3000K, 35-3500K, 40-4000K 50-5000K, 65-6500K	02 - Black&White 22AWG	M - Molex male/female	E - Through Endcaps
	S Silver	C Clear		36.00W/m			03 - White PU protected 2 pin	D - DC male/female	S - Through profile side
				43.2W/m			04 - 3Pin cable for Tunable white		
					TW	Tunable White - check your executive sales			
					D2W	Dim To Warm - check your executive sales			

RECOMMENDED LIGHT SOURCE

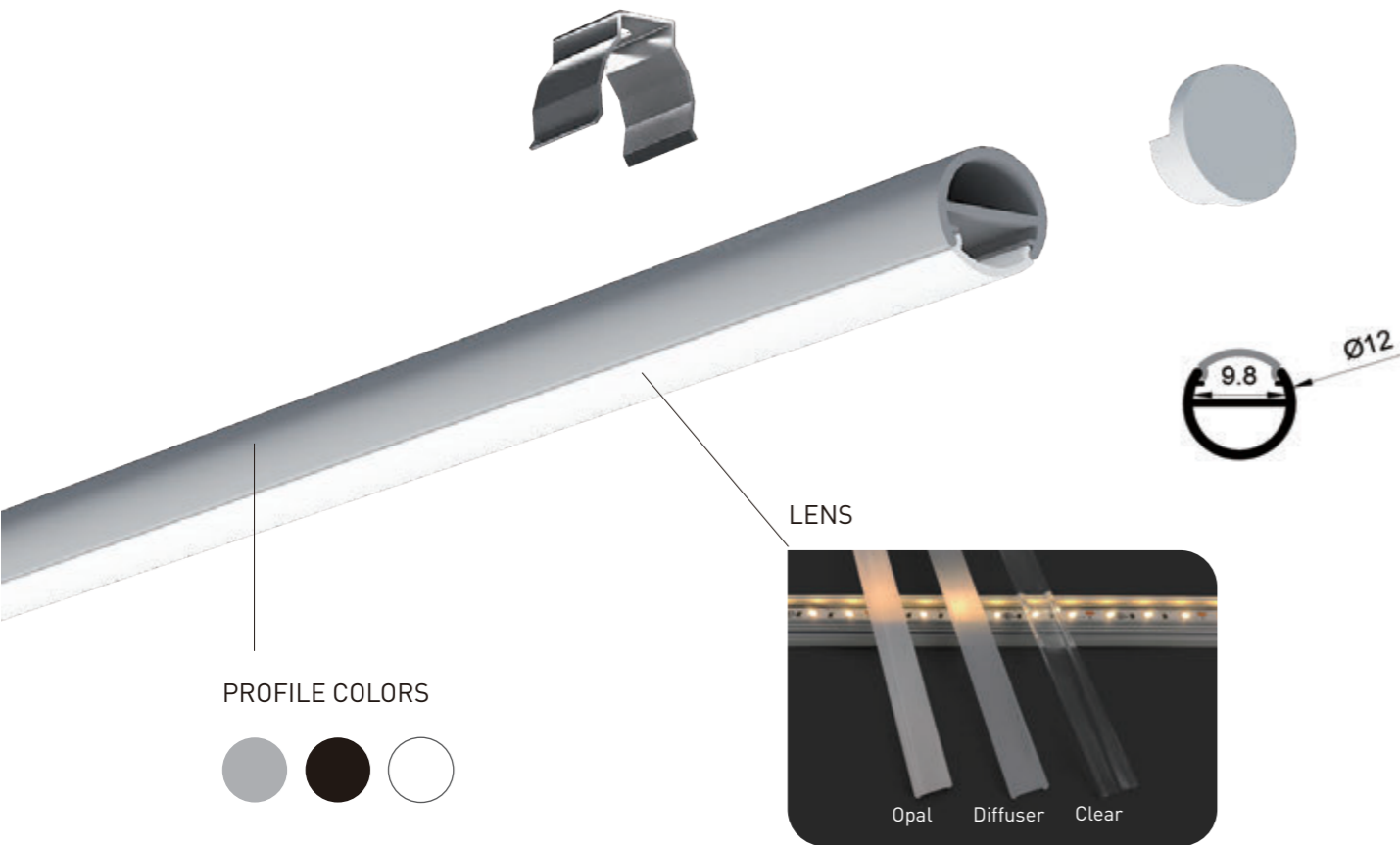
Performance	Part Code	Led Qty	Input Vol.	Power	CRI	Light Source Lumen	Diffuser Lens Lumen	Cuttable length	Max Run	Pcb Width
General	FN-2835T-240	240pcs/m	12/24VDC	28.8 W/m	90+	3024 lm/m	2147 lm/m	12V=25mm 24V=55.56mm	12V=4m 24V=6.5m	14 mm
					95+	2563 lm/m	1820 lm/m			
High Efficiency	FN-H2835-240	240pcs/m	24VDC	21.6 W/m	90+	2981 lm/m	2117 lm/m	33.3mm	7m	14 mm
				95+	2765 lm/m	1963 lm/m				
	FN-H28350-240	240pcs/m	24VDC	36 W/m	90+	5796 lm/m	4115 lm/m	33.3mm	2.5m	12 mm
	FN-H28350-288	288pcs/m	24VDC	43.2 W/m	90+	6955 lm/m	4938 lm/m	27.8mm	2m	12 mm

Remark: The tested data based on silver finish in 4000K, CRI 90+ light source.



VERTICAL SURFACE MOUNTED SERIES

► SL1212B09



VERTICAL SURFACE MOUNTED SERIES

► SL1212B09

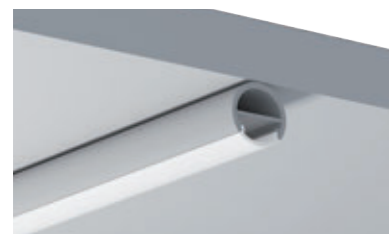
ORDERING CODE

Luminaire	Finish	Lens	Vol.	Power/m	CRI	CCT	Input Cable	Connector	Wiring
SL1212B09	W White	D Diffuser	12 12VDC	9.6W/m	80 80+	27-2700K , 30-3000K , 35-3500K 40-4000K , 50-5000K , 60-6000K 65-6500K	01 - Black&Red 22AWG	A - AMP male/female	B - Through profile back
	B Black	O Opal	24 24VDC		90 90+	22-2200K , 24-2400K , 25-2500K 27-2700K , 30-3000K , 35-3500K 40-4000K , 50-5000K , 65-6500K	02 - Black&White 22AWG	M - Molex male/female	E - Through Endcaps
	S Silver	C Clear			95 95+	22-2200K , 25-2500K , 27-2700K 30-3000K , 35-3500K , 40-4000K 50-5000K , 65-6500K	03 - White PU protected 2 pin	D - DC male/female	S - Through profile side
					TW	Tunable White - check your executive sales	04 - 3Pin cable for Tunable white		
					D2W	Dim To Warm - check your executive sales			

RECOMMENDED LIGHT SOURCE

Part Code	Led Qty	Input Vol.	Power	CRI	Light Source Lumen	Diffuser Lens Lumen	Cutttable length	Max Run	Pcb Width
MN-2835A-120	120pcs/m	12/24VDC	9.6 W/m	90+	956 lm/m	373 lm/m	12V=25mm 24V=100mm	12V=3m 24V=5m	4 mm
				95+	793 lm/m	309 lm/m			
MN-2110-238	238pcs/m	24VDC	12.24 W/m	90+	1126 lm/m	439 lm/m	29.4mm	2m	4 mm
				95+	935 lm/m	364 lm/m			

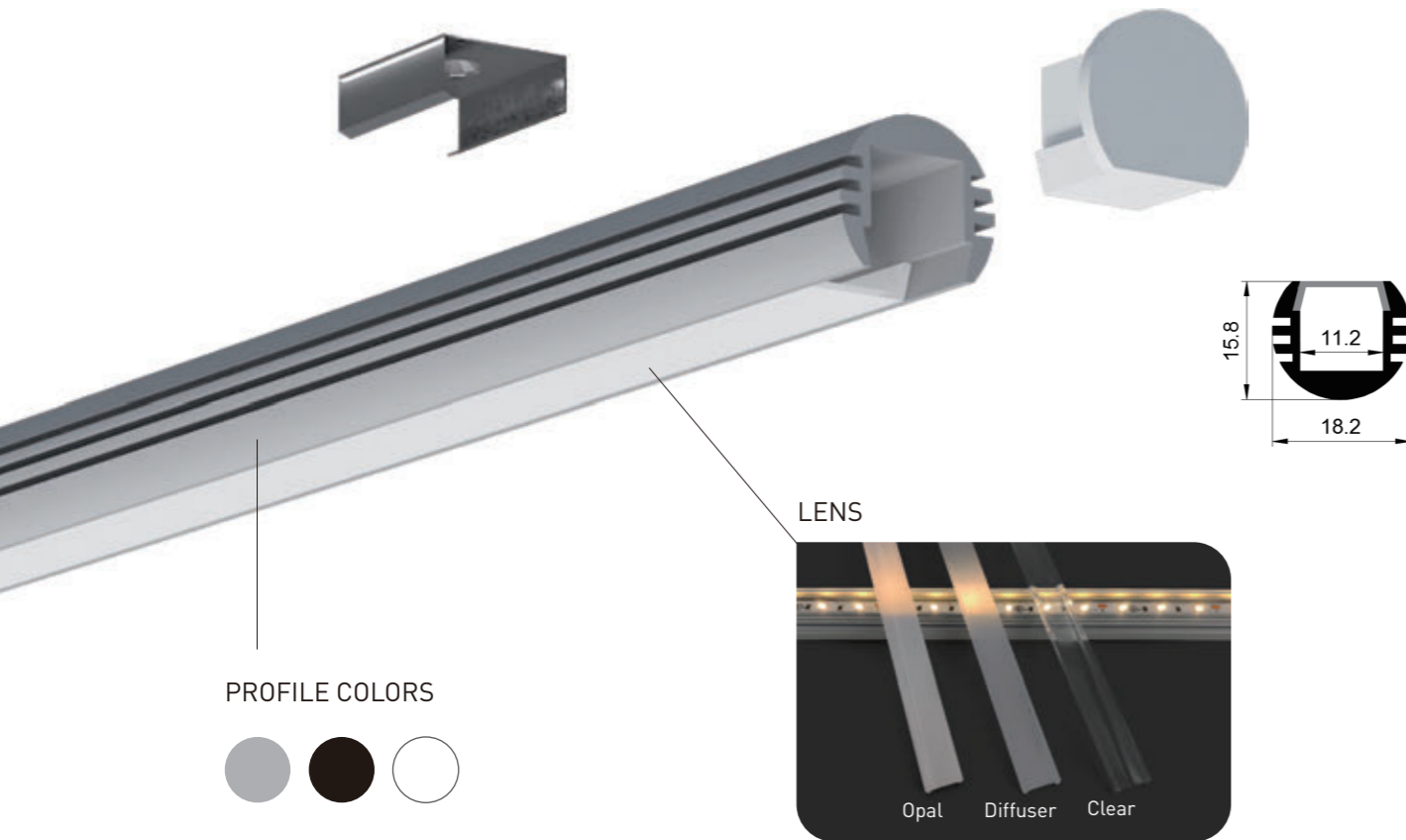
Remark: The tested data based on silver finish in 4000K, CRI 90+ light source.



Installation: Verical Surface Mounted
 Length Available: 1-3m
 Profile Color: Silver, Black Anodized, White Powder Coating
 Lens: Opal, Diffuser, Clear
 Input Cable: Endcaps, Profile Bottom, Profile Sides
 Quick Female/Male Connectors Input cable & Junction Box available

VERTICAL SURFACE MOUNTED SERIES

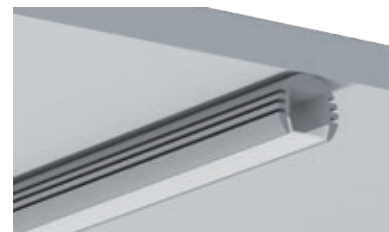
► SL181811



ACCESSORIES



Rotating Bracket



Installation: Vertical Surface Mounted
 Length Available: 1-3m
 Profile Color: Silver, Black Anodized, White Powder Coating
 Lens: Opal, Diffuser, Clear
 Input Cable: Endcaps, Profile Bottom, Profile Sides
 Quick Female/Male Connectors Input cable & Junction Box available

VERTICAL SURFACE MOUNTED SERIES

► SL181811

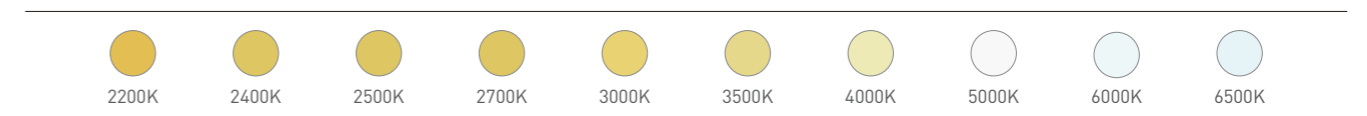
ORDERING CODE

Luminaire	Finish	Lens	Vol.	Power	CRI	CCT	Input Cable	Connector	Wiring
SL181811	W White	D Diffuser	24 24VDC	16.42W/m	90 90+	22-2200K, 24-2400K 25-2500K, 27-2700K 30-3000K, 35-3500K 40-4000K, 50-5000K 65-6500K	01 - Black&Red 22AWG	A - AMP male/female	B - Through profile back
	B Black	O Opal					02 - Black&White 22AWG	M - Molex male/female	E - Through Endcaps
	S Silver	C Clear					03 - White PU protected 2 pin	D - DC male/female	S - Through profile side
					TW	Tunable White - check your executive sales			
					D2W	Dim To Warm - check your executive sales	04 - 3Pin cable for Tunable white		

RECOMMENDED LIGHT SOURCE

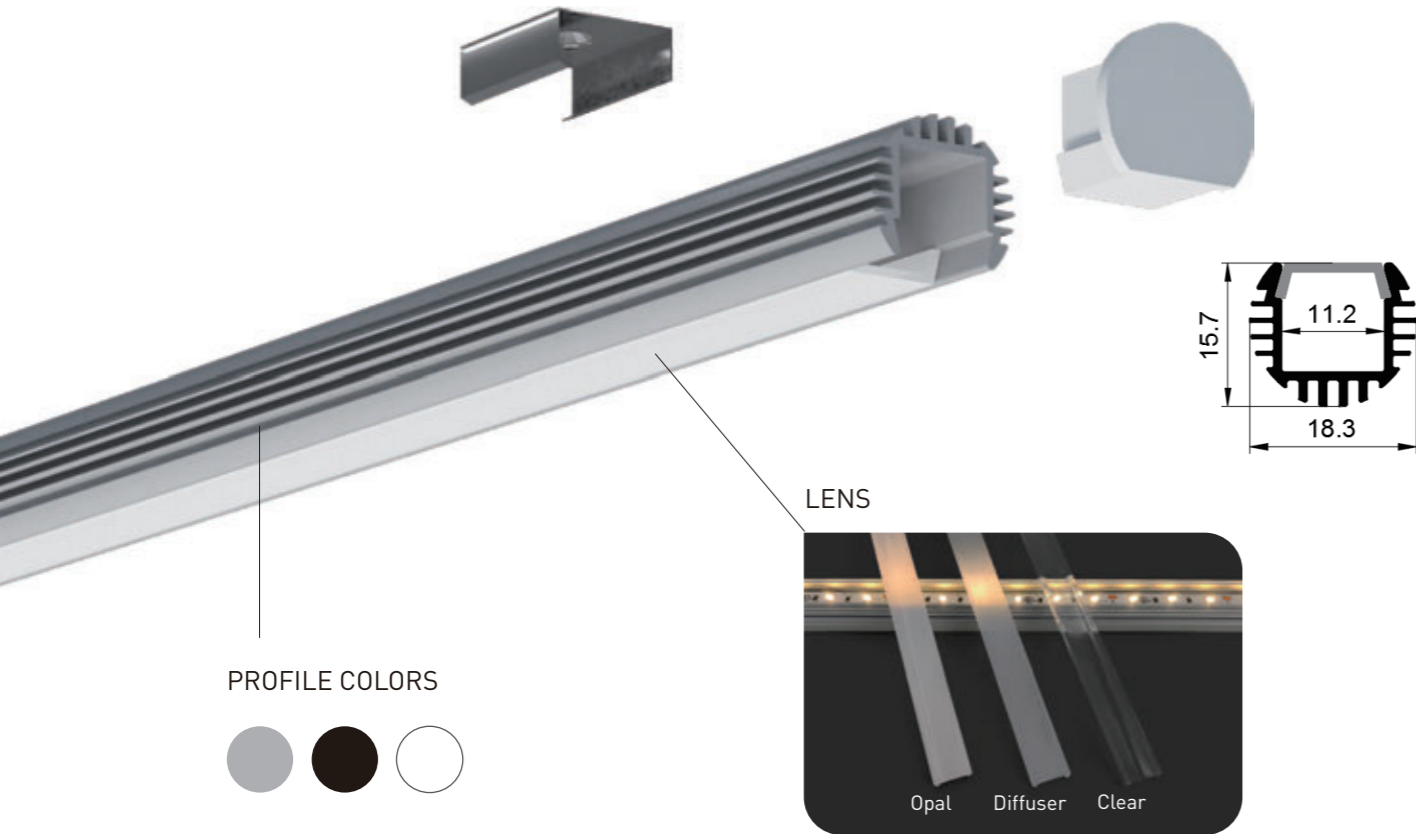
Performance	Part Code	Led Qty	Input Vol.	Power	CRI	Light Source Lumen	Diffuser Lens Lumen	Cutttable length	Max Run	Pcb Width
General	FN-2016-266	266pcs/m	24VDC	16.42W/m	90+	1700 lm/m	986 lm/m	26.3mm	3m	10mm

Remark: The tested data based on silver finish in 4000K, CRI 90+ light source.



VERTICAL SURFACE MOUNTED SERIES

► SL1818B11



VERTICAL SURFACE MOUNTED SERIES

► SL1818B11

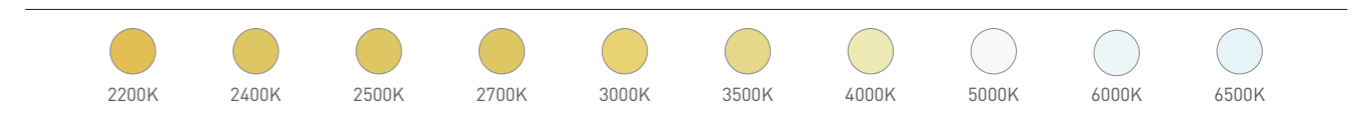
ORDERING CODE

Luminaire	Finish	Lens	Vol.	Power	CRI	CCT	Input Cable	Connector	Wiring		
SL1818B11	W White	D Diffuser	24 24VDC	16.42W/m	90 90+	22-2200K , 24-2400K 25-2500K , 27-2700K 30-3000K , 35-3500K 40-4000K , 50-5000K 65-6500K	01 - Black&Red 22AWG	A - AMP male/female	B - Through profile back		
	B Black	O Opal								M - Molex male/female	E - Through Endcaps
	S Silver	C Clear									
			TW	Tunable White - check your executive sales	03 - White PU protected 2 pin						
					D2W	Dim To Warm - check your executive sales	04 - 3Pin cable for Tunable white				

RECOMMENDED LIGHT SOURCE

Performance	Part Code	Led Qty	Input Vol.	Power	CRI	Light Source Lumen	Diffuser Lens Lumen	Cuttable length	Max Run	Pcb Width
General	FN-2016-266	266pcs/m	24VDC	16.42W/m	90+	1700 lm/m	986 lm/m	26.3mm	3m	10mm

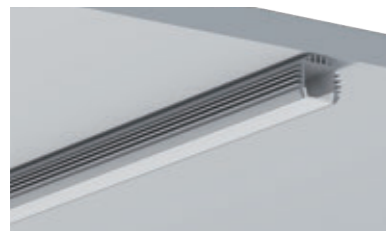
Remark: The tested data based on silver finish in 4000K, CRI 90+ light source.



ACCESSORIES



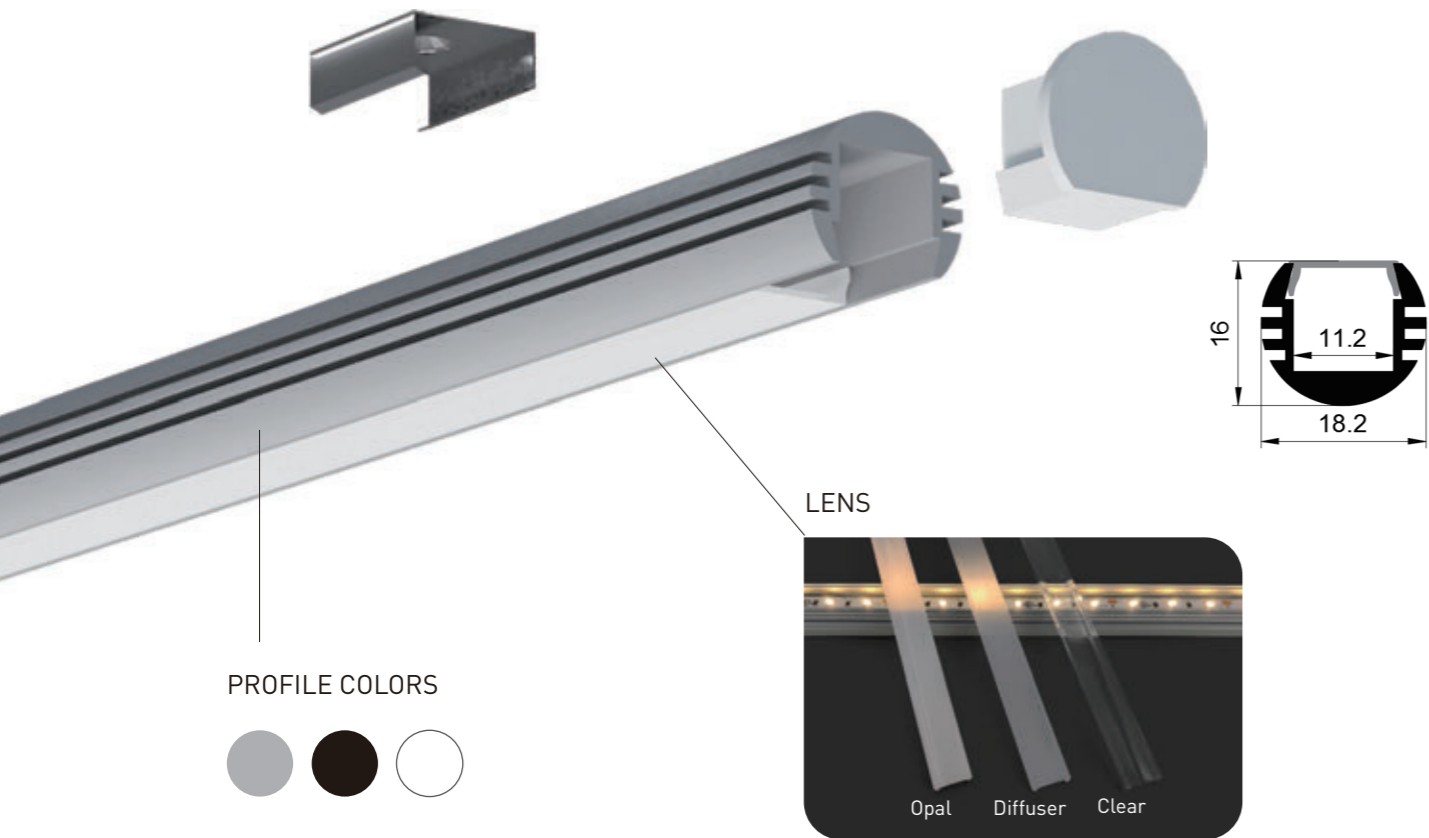
Rotating Bracket



Installation: Vertical Surface Mounted
 Length Available: 1-3m
 Profile Color: Silver, Black Anodized, White Powder Coating
 Lens: Opal, Diffuser, Clear
 Input Cable: Endcaps, Profile Bottom, Profile Sides
 Quick Female/Male Connectors Input cable & Junction Box available

VERTICAL SURFACE MOUNTED SERIES

► SL1818C11



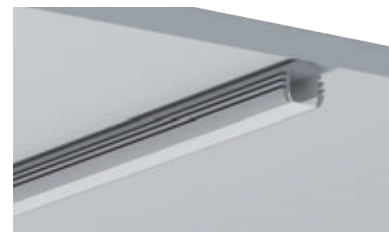
PROFILE COLORS



ACCESSORIES



Rotating Bracket



Installation: Vertical Surface Mounted
 Length Available: 1-3m
 Profile Color: Silver, Black Anodized, White Powder Coating
 Lens: Opal, Diffuser, Clear
 Input Cable: Endcaps, Profile Bottom, Profile Sides
 Quick Female/Male Connectors Input cable & Junction Box available

VERTICAL SURFACE MOUNTED SERIES

► SL1818C11

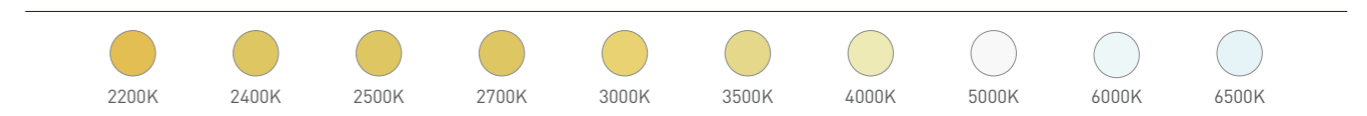
ORDERING CODE

Luminaire	Finish	Lens	Vol.	Power	CRI	CCT	Input Cable	Connector	Wiring
SL1818C11	W White	D Diffuser	24 24VDC	16.42W/m	90 90+	22-2200K, 24-2400K 25-2500K, 27-2700K 30-3000K, 35-3500K 40-4000K, 50-5000K 65-6500K	01 - Black&Red 22AWG	A - AMP male/female	B - Through profile back
	B Black	O Opal					02 - Black&White 22AWG	M - Molex male/female	E - Through Endcaps
	S Silver	C Clear					03 - White PU protected 2 pin	D - DC male/female	S - Through profile side
					TW	Tunable White - check your executive sales			
					D2W	Dim To Warm - check your executive sales	04 - 3Pin cable for Tunable white		

RECOMMENDED LIGHT SOURCE

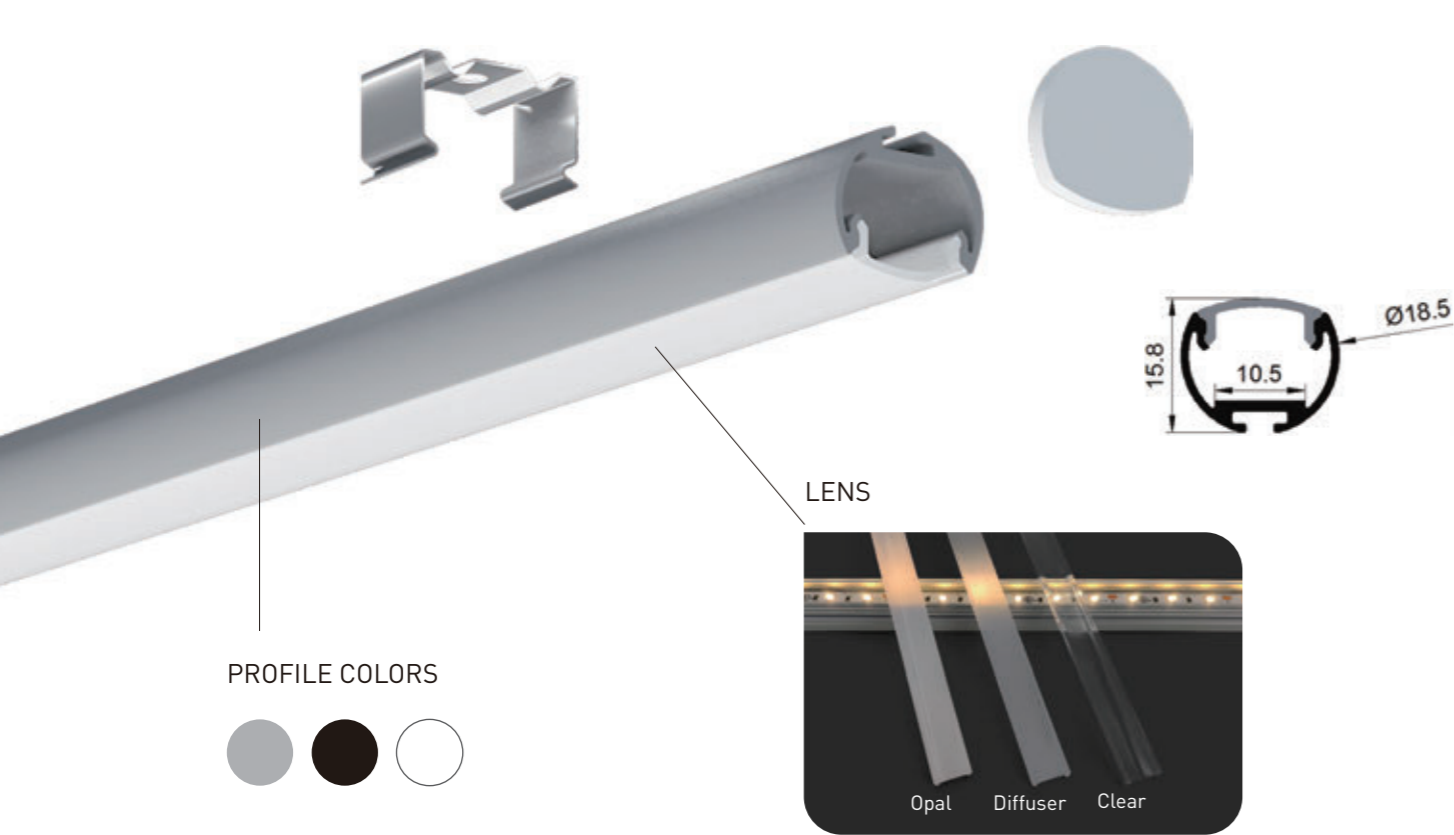
Performance	Part Code	Led Qty	Input Vol.	Power	CRI	Light Source Lumen	Diffuser Lens Lumen	Cutttable length	Max Run	Pcb Width
General	FN-2016-266	266pcs/m	24VDC	16.42W/m	90+	1700 lm/m	986 lm/m	26.3mm	3m	10mm

Remark: The tested data based on silver finish in 4000K, CRI 90+ light source.



VERTICAL SURFACE MOUNTED SERIES

► SL1818D11



VERTICAL SURFACE MOUNTED SERIES

► SL1818D11

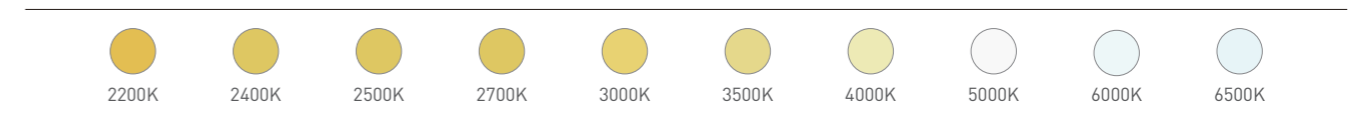
ORDERING CODE

Luminaire	Finish	Lens	Vol.	Power	CRI	CCT	Input Cable	Connector	Wiring		
SL1818D11	W White	D Diffuser	24 24VDC	16.42W/m	90 90+	22-2200K , 24-2400K 25-2500K , 27-2700K 30-3000K , 35-3500K 40-4000K , 50-5000K 65-6500K	01 - Black&Red 22AWG	A - AMP male/female	B - Through profile back		
	B Black	O Opal								M - Molex male/female	E - Through Endcaps
	S Silver	C Clear								D - DC male/female	S - Through profile side
					TW	Tunable White - check your executive sales	03 - White PU protected 2 pin				
					D2W	Dim To Warm - check your executive sales	04 - 3Pin cable for Tunable white				

RECOMMENDED LIGHT SOURCE

Performance	Part Code	Led Qty	Input Vol.	Power	CRI	Light Source Lumen	Diffuser Lens Lumen	Cutttable length	Max Run	Pcb Width
General	FN-2016-266	266pcs/m	24VDC	16.42W/m	90+	1700 lm/m	986 lm/m	26.3mm	3m	10mm

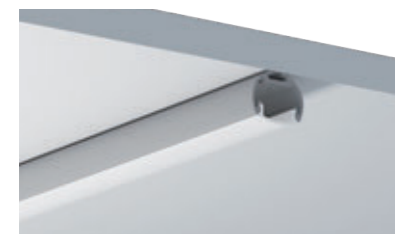
Remark: The tested data based on silver finish in 4000K, CRI 90+ light source.



ACCESSORIES



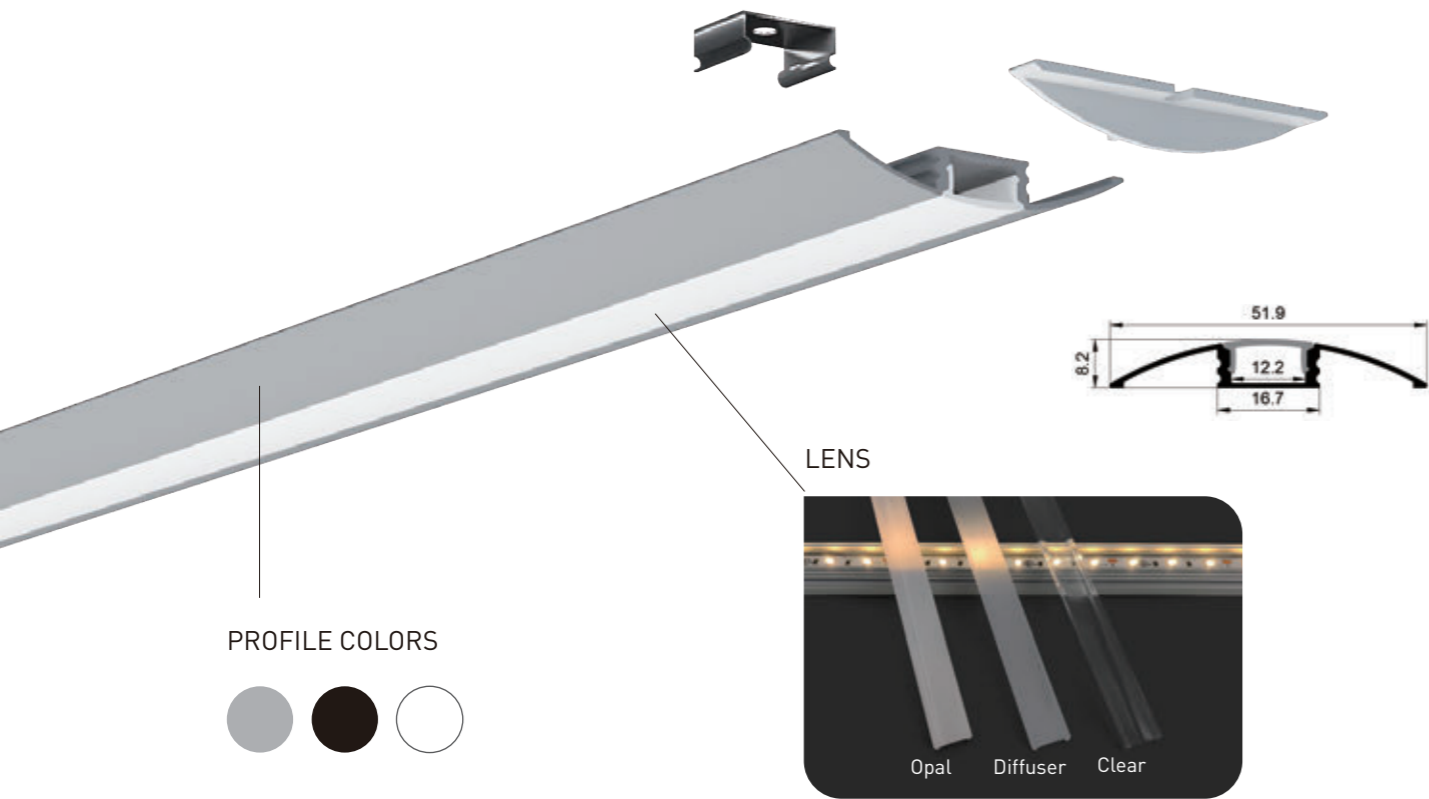
Pendant Kit



Installation: Vertical Surface Mounted
 Length Available: 1-3m
 Profile Color: Silver, Black Anodized, White Powder Coating
 Lens: Opal, Diffuser, Clear
 Input Cable: Endcaps, Profile Bottom, Profile Sides
 Quick Female/Male Connectors Input cable & Junction Box available

VERTICAL SURFACE MOUNTED SERIES

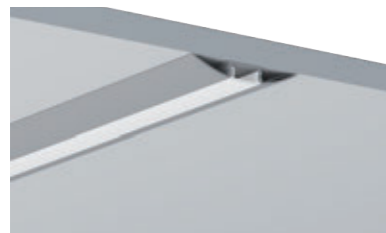
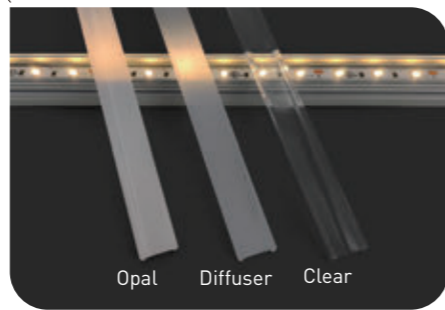
► SL520812



PROFILE COLORS



LENS



Installation: Vertical Surface Mounted
 Length Available: 1-3m
 Profile Color: Silver, Black Anodized, White Powder Coating
 Lens: Opal, Diffuser, Clear
 Input Cable: Endcaps, Profile Bottom, Profile Sides
 Quick Female/Male Connectors Input cable & Junction Box available

VERTICAL SURFACE MOUNTED SERIES

► SL520812

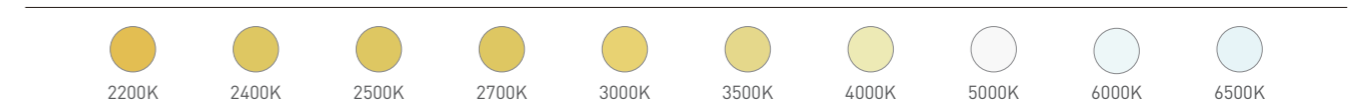
ORDERING CODE

Luminaire	Finish	Lens	Vol.	Power	CRI	CCT	Input Cable	Connector	Wiring
SL520812	W White	D Diffuser	24 24VDC	16.42W/m	90 90+	22-2200K , 24-2400K 25-2500K , 27-2700K 30-3000K , 35-3500K 40-4000K , 50-5000K 65-6500K	01 - Black&Red 22AWG	A - AMP male/female	B - Through profile back
	B Black	O Opal					02 - Black&White 22AWG	M - Molex male/female	E - Through Endcaps
	S Silver	C Clear					03 - White PU protected 2 pin	D - DC male/female	S - Through profile side
					TW	Tunable White - check your executive sales			
					D2W	Dim To Warm - check your executive sales	04 - 3Pin cable for Tunable white		

RECOMMENDED LIGHT SOURCE

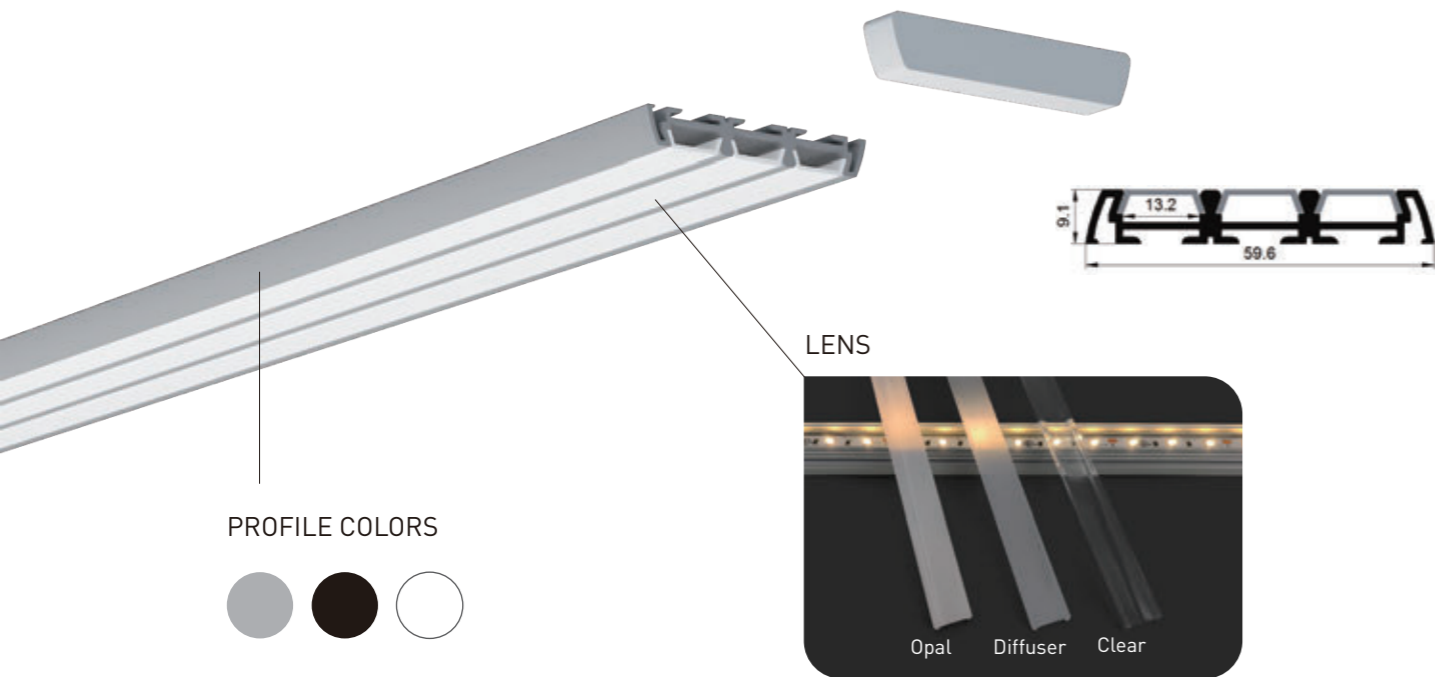
Performance	Part Code	Led Qty	Input Vol.	Power	CRI	Light Source Lumen	Diffuser Lens Lumen	Cutttable length	Max Run	Pcb Width
General	FN-2016-266	266pcs/m	24VDC	16.42W/m	90+	1700 lm/m	986 lm/m	26.3mm	3m	10mm

Remark: The tested data based on silver finish in 4000K, CRI 90+ light source.



VERTICAL SURFACE MOUNTED SERIES

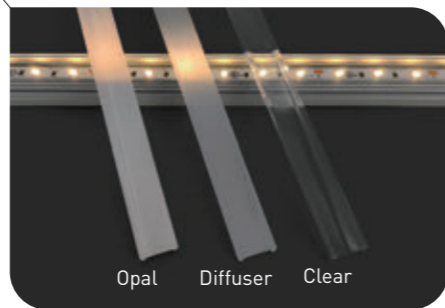
► SL600913



PROFILE COLORS



LENS



Installation: Vertical Surface Mounted
 Length Available: 1-3m
 Profile Color: Silver, Black Anodized, White Powder Coating
 Lens: Opal, Diffuser, Clear
 Input Cable: Endcaps, Profile Bottom, Profile Sides
 Quick Female/Male Connectors Input cable & Junction Box available

VERTICAL SURFACE MOUNTED SERIES

► SL600913

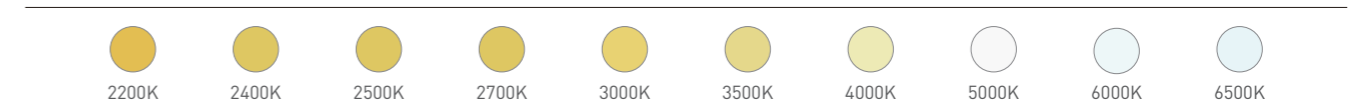
ORDERING CODE

Luminaire	Finish	Lens	Vol.	Power	CRI	CCT	Input Cable	Connector	Wiring		
SL600913	W White	D Diffuser	24 24VDC	16.42W/m	90 90+	22-2200K , 24-2400K 25-2500K , 27-2700K 30-3000K , 35-3500K 40-4000K , 50-5000K 65-6500K	01 - Black&Red 22AWG	A - AMP male/female	B - Through profile back		
	B Black	O Opal								M - Molex male/female	E - Through Endcaps
	S Silver	C Clear								D - DC male/female	S - Through profile side
					TW	Tunable White - check your executive sales	03 - White PU protected 2 pin				
					D2W	Dim To Warm - check your executive sales	04 - 3Pin cable for Tunable white				

RECOMMENDED LIGHT SOURCE

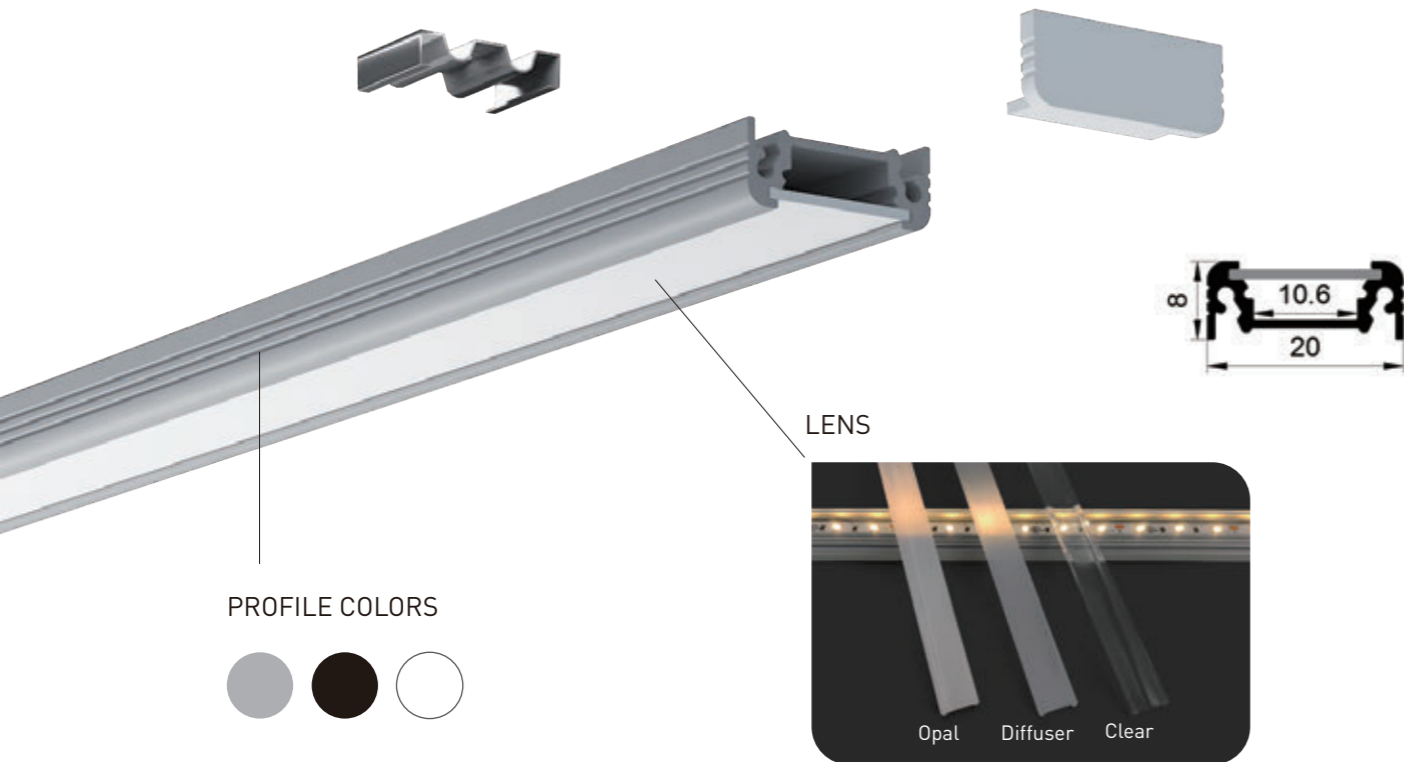
Performance	Part Code	Led Qty	Input Vol.	Power	CRI	Light Source Lumen	Diffuser Lens Lumen	Cuttable length	Max Run	Pcb Width
General	FN-2016-266	266pcs/m	24VDC	16.42W/m	90+	1700 lm/m	986 lm/m	26.3mm	3m	10mm

Remark: The tested data based on silver finish in 4000K, CRI 90+ light source.



VERTICAL SURFACE MOUNTED SERIES

► SL200810



VERTICAL SURFACE MOUNTED SERIES

► SL200810

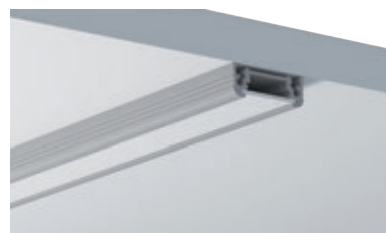
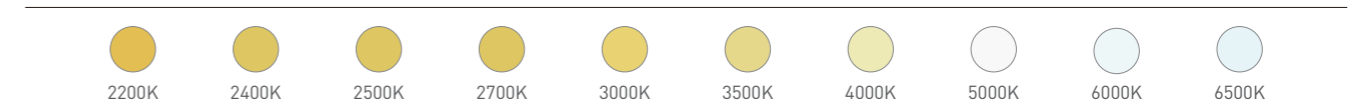
ORDERING CODE

Luminaire	Finish	Lens	Vol.	Power	CRI	CCT	Input Cable	Connector	Wiring
SL200810	W White	D Diffuser	24 24VDC	16.42W/m	90 90+	22-2200K , 24-2400K 25-2500K , 27-2700K 30-3000K , 35-3500K 40-4000K , 50-5000K 65-6500K	01 - Black&Red 22AWG 02 - Black&White 22AWG 03 - White PU protected 2 pin 04 - 3Pin cable for Tunable white	A - AMP male/female M - Molex male/female D - DC male/female	B - Through profile back E - Through Endcaps S - Through profile side
	B Black	O Opal							
	S Silver	C Clear							
					TW	Tunable White - check your executive sales			
					D2W	Dim To Warm - check your executive sales			

RECOMMENDED LIGHT SOURCE

Performance	Part Code	Led Qty	Input Vol.	Power	CRI	Light Source Lumen	Diffuser Lens Lumen	Cuttable length	Max Run	Pcb Width
General	FN-2016-266	266pcs/m	24VDC	16.42W/m	90+	1700 lm/m	986 lm/m	26.3mm	3m	10mm

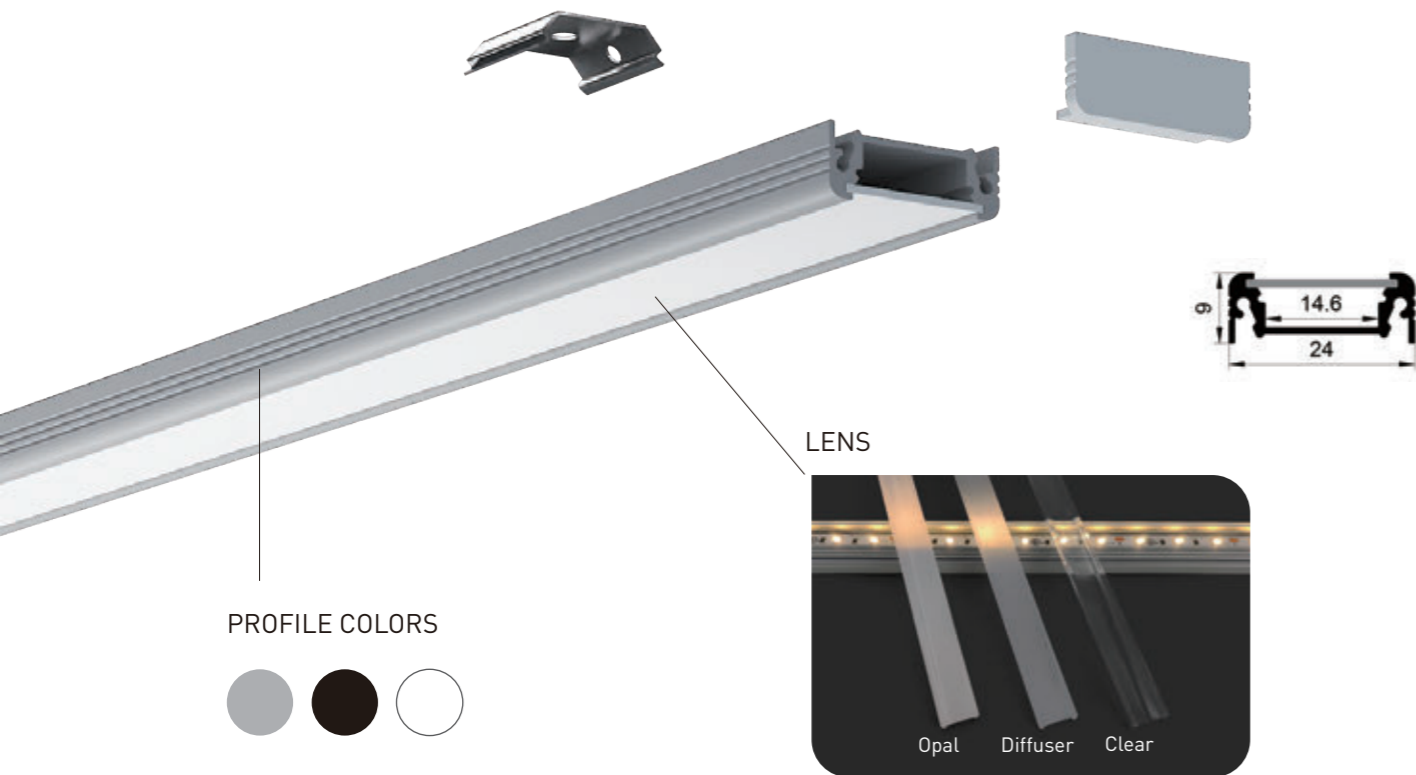
Remark: The tested data based on silver finish in 4000K, CRI 90+ light source.



Installation: Vertical Surface Mounted
 Length Available: 1-3m
 Profile Color: Silver, Black Anodized, White Powder Coating
 Lens: Opal, Diffuser, Clear
 Input Cable: Endcaps, Profile Bottom, Profile Sides
 Quick Female/Male Connectors Input cable & Junction Box available

VERTICAL SURFACE MOUNTED SERIES

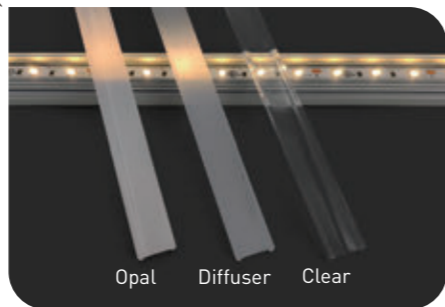
► SL240914



PROFILE COLORS



LENS



Installation: Vertical Surface Mounted
 Length Available: 1-3m
 Profile Color: Silver, Black Anodized, White Powder Coating
 Lens: Opal, Diffuser, Clear
 Input Cable: Endcaps, Profile Bottom, Profile Sides
 Quick Female/Male Connectors Input cable & Junction Box available

VERTICAL SURFACE MOUNTED SERIES

► SL240914

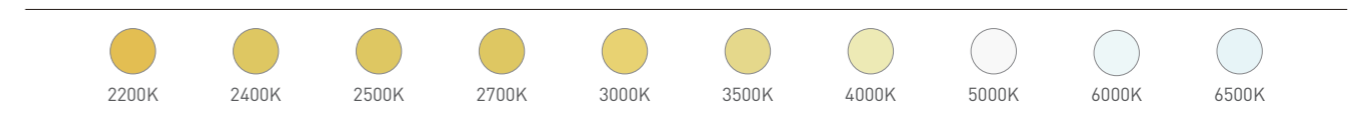
ORDERING CODE

Luminaire	Finish	Lens	Vol.	Power	CRI	CRI	Input Cable	Connector	Wiring
SL240914	W White	D Diffuser	24 24VDC	16.42W/m	90 90+	22-2200K , 24-2400K 25-2500K , 27-2700K 30-3000K , 35-3500K 40-4000K , 50-5000K 65-6500K	01 - Black&Red 22AWG 02 - Black&White 22AWG 03 - White PU protected 2 pin 04 - 3Pin cable for Tunable white	A - AMP male/female M - Molex male/female D - DC male/female	B - Through profile back E - Through Endcaps S - Through profile side
	B Black	O Opal							
	S Silver	C Clear							
					TW	Tunable White - check your executive sales			
					D2W	Dim To Warm - check your executive sales			

RECOMMENDED LIGHT SOURCE

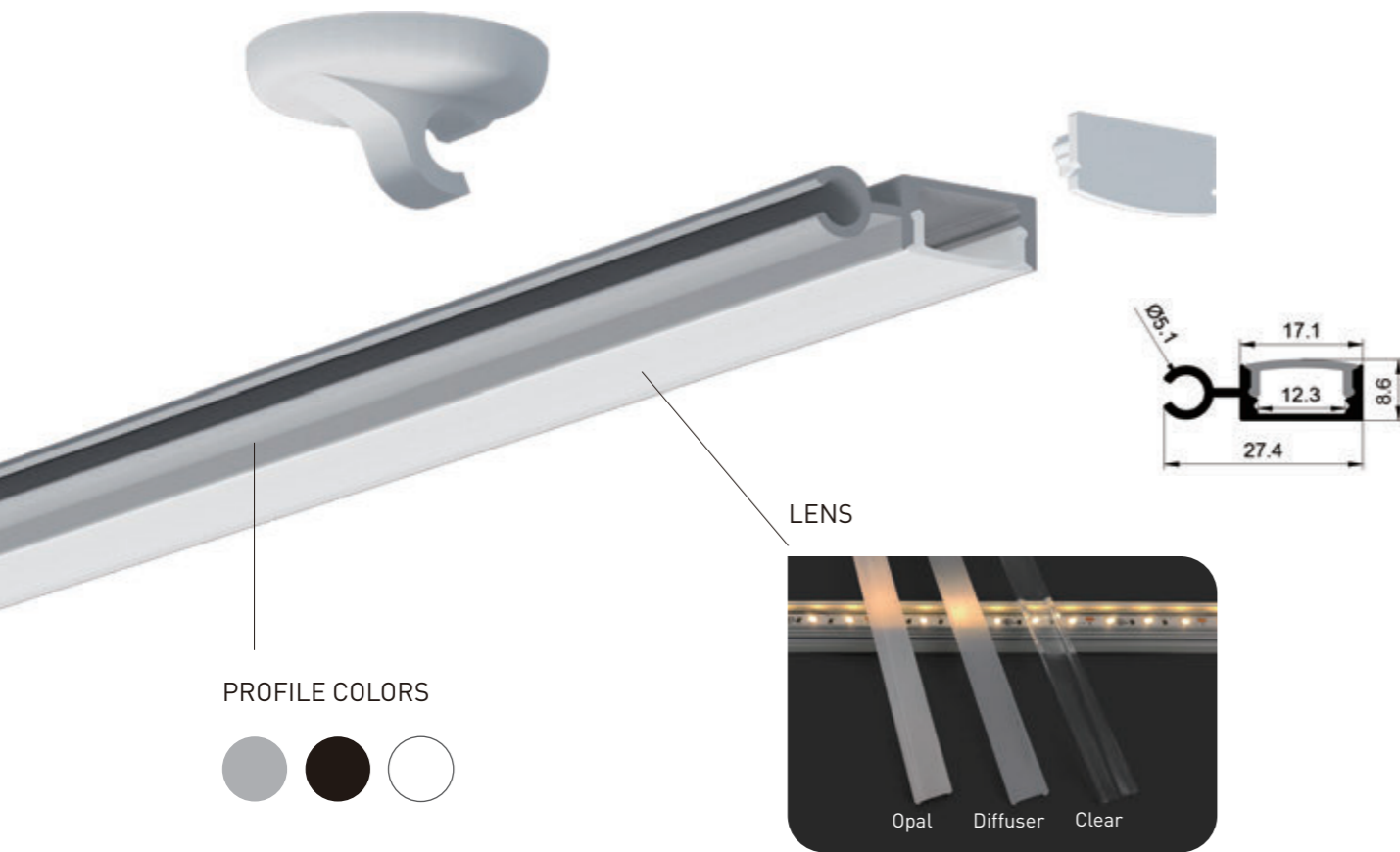
Performance	Part Code	Led Qty	Input Vol.	Power	CRI	Light Source Lumen	Diffuser Lens Lumen	Cutttable length	Max Run	Pcb Width
General	FN-2016-266	266pcs/m	24VDC	16.42W/m	90+	1700 lm/m	986 lm/m	26.3mm	3m	10mm

Remark: The tested data based on silver finish in 4000K, CRI 90+ light source.



VERTICAL SURFACE MOUNTED SERIES

► SL221712



VERTICAL SURFACE MOUNTED SERIES

► SL221712

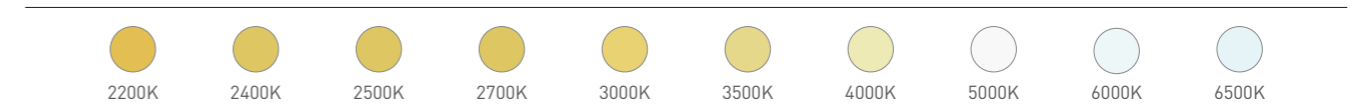
ORDERING CODE

Luminaire	Finish	Lens	Vol.	Power	CRI	CCT	Input Cable	Connector	Wiring
SL221712	W White	D Diffuser	24 24VDC	16.42W/m	90 90+	22-2200K , 24-2400K 25-2500K , 27-2700K 30-3000K , 35-3500K 40-4000K , 50-5000K 65-6500K	01 - Black&Red 22AWG	A - AMP male/female	B - Through profile back
	B Black	O Opal					02 - Black&White 22AWG	M - Molex male/female	E - Through Endcaps
	S Silver	C Clear					03 - White PU protected 2 pin	D - DC male/female	S - Through profile side
					TW	Tunable White - check your executive sales			
					D2W	Dim To Warm - check your executive sales	04 - 3Pin cable for Tunable white		

RECOMMENDED LIGHT SOURCE

Performance	Part Code	Led Qty	Input Vol.	Power	CRI	Light Source Lumen	Diffuser Lens Lumen	Cutttable length	Max Run	Pcb Width
General	FN-2016-266	266pcs/m	24VDC	16.42W/m	90+	1700 lm/m	986 lm/m	26.3mm	3m	10mm

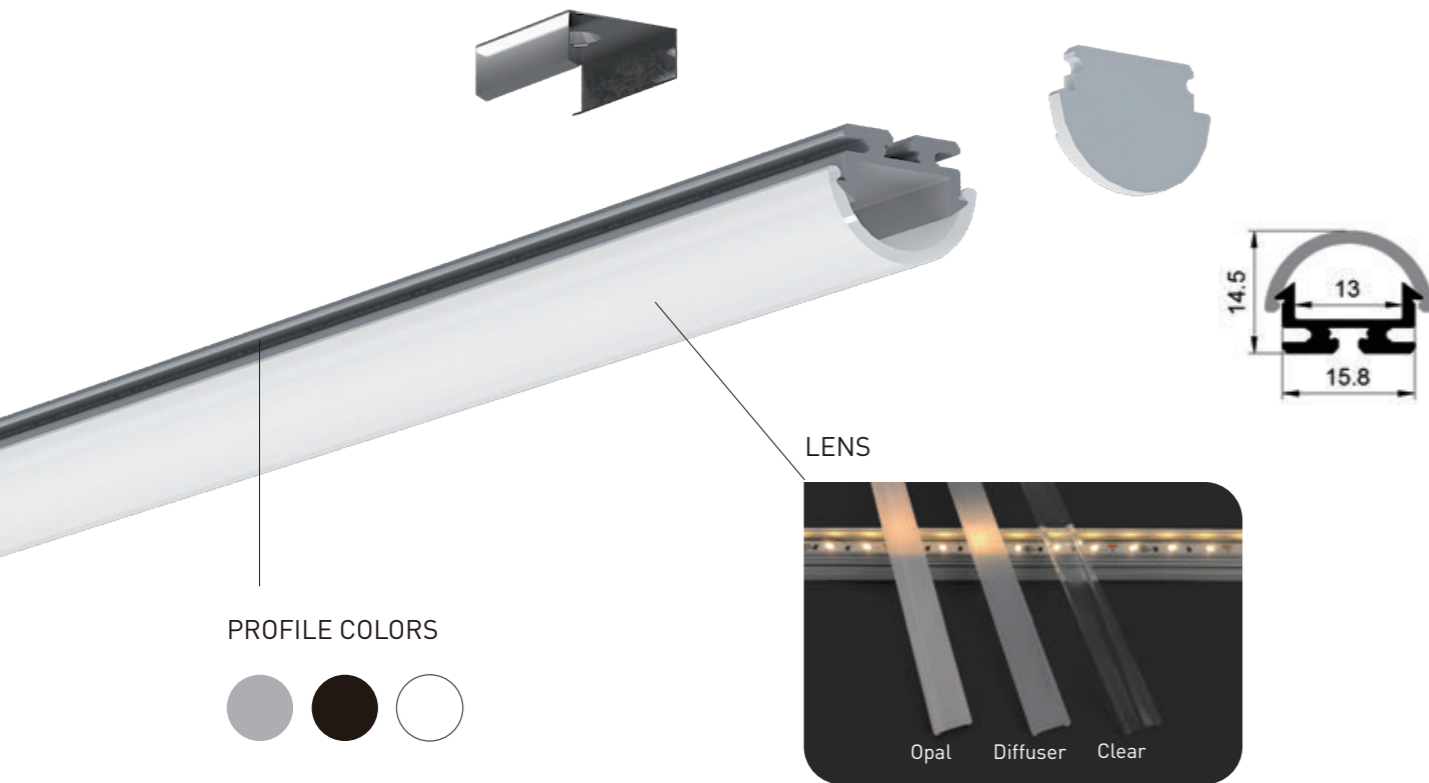
Remark: The tested data based on silver finish in 4000K, CRI 90+ light source.



Installation: Verical Surface Mounted
 Length Available: 1-3m
 Profile Color: Silver, Black Anodized, White Powder Coating
 Lens: Opal, Diffuser, Clear
 Input Cable: Endcaps, Profile Bottom, Profile Sides
 Quick Female/Male Connectors Input cable & Junction Box available

VERTICAL SURFACE MOUNTED - U LENS SERIES

► SL181512



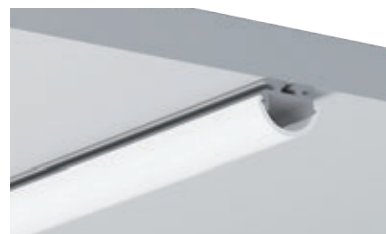
PROFILE COLORS



ACCESSORIES



Rotating Bracket



Installation: Surface Mounted
 Length Available: 1-3m
 Profile Color: Silver, Black Anodized, White Powder Coating
 Lens: Opal, Diffuser, Clear
 Input Cable: Endcaps, Profile Bottom, Profile Sides
 Quick Female/Male Connectors Input cable & Junction Box available

VERTICAL SURFACE MOUNTED - U LENS SERIES

► SL181512

ORDERING CODE

Luminaire	Finish	Lens	Vol.	Power	CRI	CCT	Input Cable	Connector	Wiring
SL181512	W White	D Diffuser	12 12VDC	5.18W/m	90 90+	22-2200K, 24-2400K, 25-2500K 27-2700K, 30-3000K, 35-3500K 40-4000K, 50-5000K, 65-6500K	01 - Black&Red 22AWG 02 - Black&White 22AWG 03 - White PU protected 2 pin 04 - 3Pin cable for Tunable white	A - AMP male/female M - Molex male/female D - DC male/female	B - Through profile back E - Through Endcaps S - Through profile side
	B Black	O Opal	24 24VDC	11.52W/m	95 95+	22-2200K, 25-2500K, 27-2700K 30-3000K, 35-3500K, 40-4000K 50-5000K, 65-6500K			
	S Silver	C Clear	36 36VDC	14.40W/m	TW	Tunable White - check your executive sales			
			48 48VDC	21.60W/m 24.00W/m 28.80W/m	D2W	Dim To Warm - check your executive sales			

RECOMMENDED LIGHT SOURCE

Performance	Part Code	Led Qty	Input Vol.	Power	CRI	Light Source Lumen	Diffuser Lens Lumen	Cuttable length	Max Run	Pcb Width
General	FN-2835T-120	120pcs/m	12/24VDC	14.40 W/m	90+	1512 lm/m	1074 lm/m	12V=25mm 24V=50mm	12V=5m 24V=9m	10 mm
					95+	1282 lm/m	910 lm/m			
High Efficiency	FN-H2835T-128	128pcs/m	24VDC	11.52 W/m	90+	1613 lm/m	1145 lm/m	24V=62.5mm	24V=6m	10 mm
					95+	1475 lm/m	1047 lm/m			
	FN-H28350-160	160pcs/m	24VDC	24 W/m	90+	3480 lm/m	2743 lm/m	50mm	3m	10 mm
					95+	1987 lm/m	1411 lm/m			
						1843 lm/m	1309 lm/m			
FN-H28350-192	192pcs/m	24VDC	28.8 W/m	90+	4176 lm/m	3292 lm/m	41.7mm	2.5m	10 mm	
Long Run	LN-H2835T-80	80pcs/m	36VDC	5.18W/m	90+	580 lm/m	412 lm/m	100mm	50m	10 mm
					95+	482 lm/m	342 lm/m			
	LN-H2835T-112	112pcs/m	48VDC	11.52 W/m	90+	1336 lm/m	949 lm/m	125mm	25m	10 mm
					95+	1106 lm/m	785 lm/m			
	LN-H2835T-120	120pcs/m	24VDC	6.00 W/m	90+	588 lm/m	417 lm/m	50mm	21m	10 mm
					95+	486 lm/m	345 lm/m			
Short Cut	FN-F2835A-120	120pcs/m	12VDC	21.60 W/m	90+	1922 lm/m	1365 lm/m	16.7mm	3.5m	10 mm
					95+	1595 lm/m	1133 lm/m			

Remark: 1. The tested data based on silver finish in 4000K, CRI 90+ light source. 2. LN-H2835T-80 is good for long run, but it will show light spot.



VERTICAL SURFACE MOUNTED - U LENS SERIES

► SL1815C10



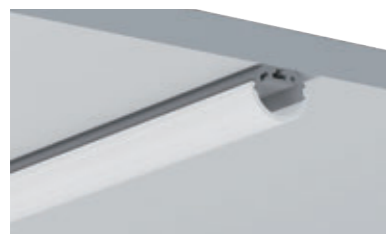
PROFILE COLORS



ACCESSORIES



Rotating Bracket



Installation: Surface Mounted
 Length Available: 1-3m
 Profile Color: Silver, Black Anodized, White Powder Coating
 Lens: Opal, Diffuser, Clear
 Input Cable: Endcaps, Profile Bottom, Profile Sides
 Quick Female/Male Connectors Input cable & Junction Box available

VERTICAL SURFACE MOUNTED - U LENS SERIES

► SL1815C10

ORDERING CODE

Luminaire	Finish	Lens	Vol.	Power	CRI	CCT	Input Cable	Connector	Wiring
SL1815C10	W White	D Diffuser	12 12VDC	5.18W/m	90	22-2200K , 24-2400K , 25-2500K 27-2700K , 30-3000K , 35-3500K 40-4000K , 50-5000K , 65-6500K	01 - Black&Red 22AWG 02 - Black&White 22AWG 03 - White PU protected 2 pin 04 - 3Pin cable for Tunable white	A - AMP male/female M - Molex male/female D - DC male/female	B - Through profile back E - Through Endcaps S - Through profile side
	B Black	O Opal	24 24VDC	6.00W/m	90+				
	S Silver	C Clear	36 36VDC	11.52W/m	95	22-2200K , 25-2500K , 27-2700K 30-3000K , 35-3500K , 40-4000K 50-5000K , 65-6500K			
			48 48VDC	14.40W/m	95+				
				21.60W/m		TW	Tunable White - check your executive sales		
				24.00W/m					
				28.80W/m		D2W	Dim To Warm - check your executive sales		

RECOMMENDED LIGHT SOURCE

Performance	Part Code	Led Qty	Input Vol.	Power	CRI	Light Source Lumen	Diffuser Lens Lumen	Cutttable length	Max Run	Pcb Width
General	FN-2835T-120	120pcs/m	12/24VDC	14.40 W/m	90+	1512 lm/m	1074 lm/m	12V=25mm 24V=50mm	12V=5m 24V=9m	10 mm
					95+	1282 lm/m	910 lm/m			
High Efficiency	FN-H2835T-128	128pcs/m	24VDC	11.52 W/m	90+	1613 lm/m	1145 lm/m	24V=62.5mm	24V=6m	10 mm
					95+	1475 lm/m	1047 lm/m			
	FN-H28350-160	160pcs/m	24VDC	24 W/m	90+	3480 lm/m	2743 lm/m	50mm	3m	10 mm
					95+	1987 lm/m	1411 lm/m			
						1843 lm/m	1309 lm/m			
FN-H28350-192	192pcs/m	24VDC	28.8 W/m	90+	4176 lm/m	3292 lm/m	41.7mm	2.5m	10 mm	
Long Run	LN-H2835T-80	80pcs/m	36VDC	5.18W/m	90+	580 lm/m	412 lm/m	100mm	50m	10 mm
					95+	482 lm/m	342 lm/m			
	LN-H2835T-112	112pcs/m	48VDC	11.52 W/m	90+	1336 lm/m	949 lm/m	125mm	25m	10 mm
					95+	1106 lm/m	785 lm/m			
	LN-H2835T-120	120pcs/m	24VDC	6.00 W/m	90+	588 lm/m	417 lm/m	50mm	21m	10 mm
					95+	486 lm/m	345 lm/m			
Short Cut	FN-F2835A-120	120pcs/m	12VDC	21.60 W/m	90+	1922 lm/m	1365 lm/m	16.7mm	3.5m	10 mm
					95+	1595 lm/m	1133 lm/m			

Remark: 1. The tested data based on silver finish in 4000K, CRI 90+ light source. 2. LN-H2835T-80 is good for long run, but it will show light spot.



VERTICAL SURFACE MOUNTED - U LENS SERIES

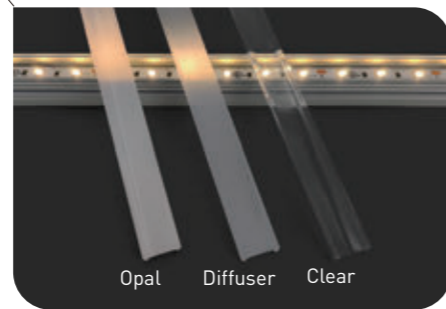
► SL182412



PROFILE COLORS



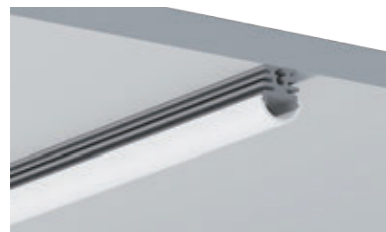
LENS



ACCESSORIES



Rotating Bracket



Installation: Surface Mounted
 Length Available: 1-3m
 Profile Color: Silver, Black Anodized, White Powder Coating
 Lens: Opal, Diffuser, Clear
 Input Cable: Endcaps, Profile Bottom, Profile Sides
 Quick Female/Male Connectors Input cable & Junction Box available

VERTICAL SURFACE MOUNTED - U LENS SERIES

► SL182412

ORDERING CODE

Luminaire	Finish	Lens	Vol.	Power	CRI	CCT	Input Cable	Connector	Wiring
SL182412	W White	D Diffuser	12 12VDC	5.18W/m	90	22-2200K , 24-2400K , 25-2500K 27-2700K , 30-3000K , 35-3500K 40-4000K , 50-5000K , 65-6500K	01 - Black&Red 22AWG	A - AMP male/female	B - Through profile back
	B Black	O Opal	24 24VDC	6.00W/m	90+				
	S Silver	C Clear	36 36VDC	11.52W/m	95	22-2200K , 25-2500K , 27-2700K 30-3000K , 35-3500K , 40-4000K 50-5000K , 65-6500K	02 - Black&White 22AWG	M - Molex male/female	E - Through Endcaps
			48 48VDC	14.40W/m	95+				
			21.60W/m		TW	Tunable White - check your executive sales	03 - White PU protected 2 pin		S - Through profile side
			24.00W/m						
			28.80W/m		D2W	Dim To Warm - check your executive sales	04 - 3Pin cable for Tunable white		

RECOMMENDED LIGHT SOURCE

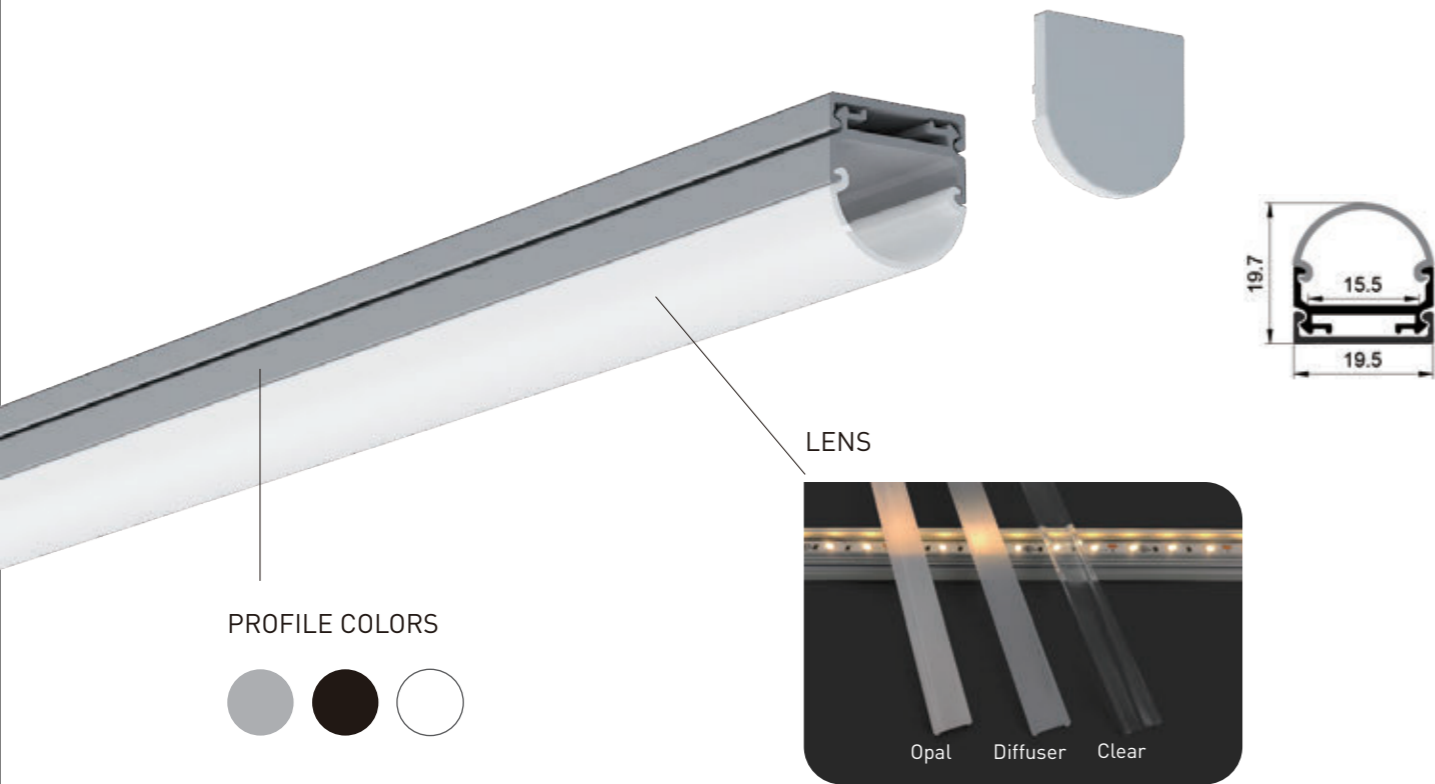
Performance	Part Code	Led Qty	Input Vol.	Power	CRI	Light Source Lumen	Diffuser Lens Lumen	Cuttable length	Max Run	Pcb Width
General	FN-2835T-120	120pcs/m	12/24VDC	14.40 W/m	90+	1512 lm/m	1074 lm/m	12V=25mm 24V=50mm	12V=5m 24V=9m	10 mm
					95+	1282 lm/m	910 lm/m			
High Efficiency	FN-H2835T-128	128pcs/m	24VDC	11.52 W/m	90+	1613 lm/m	1145 lm/m	24V=62.5mm	24V=6m	10 mm
					95+	1475 lm/m	1047 lm/m			
	FN-H28350-160	160pcs/m	24VDC	24 W/m	90+	3480 lm/m	2743 lm/m	50mm	3m	10 mm
					95+	1987 lm/m	1411 lm/m			
FN-H2835T-160	160pcs/m	24VDC	14.40 W/m	90+	1843 lm/m	1309 lm/m	24V=50mm	24V=5m	10 mm	
				95+	1843 lm/m	1309 lm/m				
FN-H28350-192	192pcs/m	24VDC	28.8 W/m	90+	4176 lm/m	3292 lm/m	41.7mm	2.5m	10 mm	
				95+	4176 lm/m	3292 lm/m				
Long Run	LN-H2835T-80	80pcs/m	36VDC	5.18W/m	90+	580 lm/m	412 lm/m	100mm	50m	10 mm
					95+	482 lm/m	342 lm/m			
	LN-H2835T-112	112pcs/m	48VDC	11.52 W/m	90+	1336 lm/m	949 lm/m	125mm	25m	10 mm
					95+	1106 lm/m	785 lm/m			
LN-H2835T-120	120pcs/m	24VDC	6.00 W/m	90+	588 lm/m	417 lm/m	50mm	21m	10 mm	
				95+	486 lm/m	345 lm/m				
Short Cut	FN-F2835A-120	120pcs/m	12VDC	21.60 W/m	90+	1922 lm/m	1365 lm/m	16.7mm	3.5m	10 mm
					95+	1595 lm/m	1133 lm/m			

Remark: 1. The tested data based on silver finish in 4000K, CRI 90+ light source. 2. LN-H2835T-80 is good for long run, but it will show light spot.

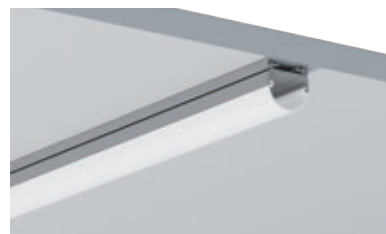


VERTICAL SURFACE MOUNTED - U LENS SERIES

► SL201915



PROFILE COLORS



Installation: Surface Mounted
 Length Available: 1-3m
 Profile Color: Silver, Black Anodized, White Powder Coating
 Lens: Opal, Diffuser, Clear
 Input Cable: Endcaps, Profile Bottom, Profile Sides
 Quick Female/Male Connectors Input cable & Junction Box available

VERTICAL SURFACE MOUNTED - U LENS SERIES

► SL201915

ORDERING CODE

Luminaire	Finish	Lens	Vol.	Power	CRI	CCT	Input Cable	Connector	Wiring
SL201915	W White	D Diffuser	12 12VDC	5.18W/m	90 90+	22-2200K , 24-2400K , 25-2500K 27-2700K , 30-3000K , 35-3500K 40-4000K , 50-5000K , 65-6500K	01 - Black&Red 22AWG	A - AMP male/female	B - Through profile back
	B Black	O Opal	24 24VDC	11.52W/m	95 95+	22-2200K , 25-2500K , 27-2700K 30-3000K , 35-3500K , 40-4000K 50-5000K , 65-6500K	02 - Black&White 22AWG	M - Molex male/female	E - Through Endcaps
	S Silver	C Clear	36 36VDC	14.40W/m			03 - White PU protected 2 pin	D - DC male/female	S - Through profile side
			48 48VDC	21.60W/m 24.00W/m 28.80W/m				04 - 3Pin cable for Tunable white	
					TW	Tunable White - check your executive sales			
					D2W	Dim To Warm - check your executive sales			

RECOMMENDED LIGHT SOURCE

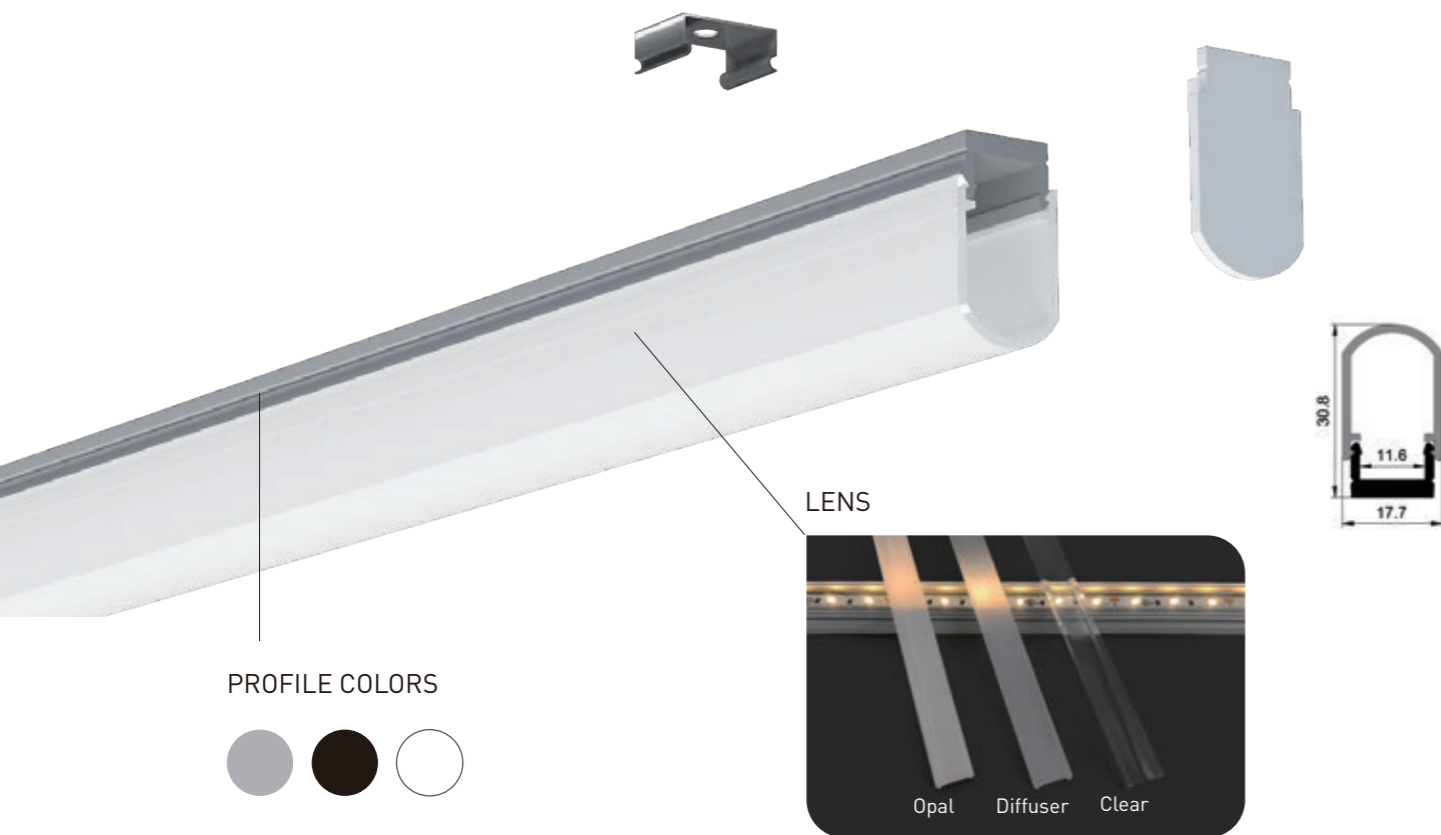
Performance	Part Code	Led Qty	Input Vol.	Power	CRI	Light Source Lumen	Diffuser Lens Lumen	Cuttable length	Max Run	Pcb Width
General	FN-2835T-120	120pcs/m	12/24VDC	14.40 W/m	90+	1512 lm/m	1074 lm/m	12V=25mm 24V=50mm	12V=5m 24V=9m	10 mm
					95+	1282 lm/m	910 lm/m			
High Efficiency	FN-H2835T-128	128pcs/m	24VDC	11.52 W/m	90+	1613 lm/m	1145 lm/m	24V=62.5mm	24V=6m	10 mm
					95+	1475 lm/m	1047 lm/m			
	FN-H28350-160	160pcs/m	24VDC	24 W/m	90+	3480 lm/m	2743 lm/m	50mm	3m	10 mm
					95+	1987 lm/m	1411 lm/m	24V=50mm	24V=5m	10 mm
	FN-H28350-192	192pcs/m	24VDC	28.8 W/m	90+	4176 lm/m	3292 lm/m	41.7mm	2.5m	10 mm
Long Run	LN-H2835T-80	80pcs/m	36VDC	5.18W/m	90+	580 lm/m	412 lm/m	100mm	50m	10 mm
					95+	482 lm/m	342 lm/m			
	LN-H2835T-112	112pcs/m	48VDC	11.52 W/m	90+	1336 lm/m	949 lm/m	125mm	25m	10 mm
95+					1106 lm/m	785 lm/m				
Short Cut	FN-F2835A-120	120pcs/m	12VDC	21.60 W/m	90+	588 lm/m	417 lm/m	50mm	21m	10 mm
					95+	486 lm/m	345 lm/m			
					90+	1922 lm/m	1365 lm/m	16.7mm	3.5m	10 mm
					95+	1595 lm/m	1133 lm/m			

Remark: 1. The tested data based on silver finish in 4000K, CRI 90+ light source. 2. LN-H2835T-80 is good for long run, but it will show light spot.



VERTICAL SURFACE MOUNTED - U LENS SERIES

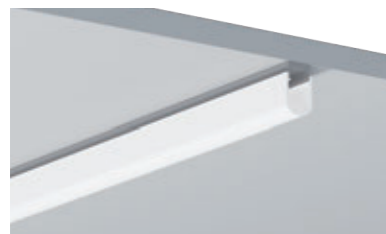
► SL183111



PROFILE COLORS



Opal Diffuser Clear



Installation: Surface Mounted
 Length Available: 1-3m
 Profile Color: Silver, Black Anodized, White Powder Coating
 Lens: Opal, Diffuser, Clear
 Input Cable: Endcaps, Profile Bottom, Profile Sides
 Quick Female/Male Connectors Input cable & Junction Box available

VERTICAL SURFACE MOUNTED - U LENS SERIES

► SL183111

ORDERING CODE

Luminaire	Finish	Lens	Vol.	Power	CRI	CCT	Input Cable	Connector	Wiring
SL183111	W White	D Diffuser	12 12VDC	2.40W/m	90 90+	22-2200K , 24-2400K , 25-2500K 27-2700K , 30-3000K , 35-3500K 40-4000K , 50-5000K , 65-6500K	01 - Black&Red 22AWG	A - AMP male/female	B - Through profile back
				5.04W/m					
				5.18W/m					
	B Black	O Opal	24 24VDC	5.18W/m	95 95+	22-2200K , 25-2500K , 27-2700K 30-3000K , 35-3500K , 40-4000K 50-5000K , 65-6500K	02 - Black&White 22AWG	M - Molex male/female	E - Through Endcaps
				5.76W/m					
				6.00W/m					
	S Silver	C Clear	36 36VDC	7.68W/m	TW	Tunable White - check your executive sales	03 - White PU protected 2 pin	D - DC male/female	S - Through profile side
				11.52W/m					
				14.40W/m					
				21.60W/m	D2W	Dim To Warm - check your executive sales	04 - 3Pin cable for Tunable white		
				24.00W/m					
				28.80W/m					

RECOMMENDED LIGHT SOURCE

Performance	Part Code	Led Qty	Input Vol.	Power	CRI	Light Source Lumen	Diffuser Lens Lumen	Cuttable length	Max Run	Pcb Width
General	FN-2835T-60	60pcs/m	12/24VDC	14.40 W/m	90+	1440 lm/m	1022 lm/m	12V=25mm 24V=100mm	12V=5m 24V=9m	10 mm
					95+	1238 lm/m	879 lm/m			
High Efficiency	FN-H2835T-64	64pcs/m	24VDC	7.68 W/m	90+	1029 lm/m	731 lm/m	125mm	5m	10 mm
					95+	968 lm/m	687 lm/m			
	FN-H28350-80	80pcs/m	24VDC	14.40W/m	90+	2275 lm/m	1615 lm/m	100mm	4m	10 mm
Long Run	LN-2835T-60	60pcs/m	24VDC	5.04 W/m	90+	499 lm/m	354 lm/m	100mm	21m	10mm
					95+	413 lm/m	293 lm/m			
				2.4 W/m	90+	230 lm/m	163 lm/m	100mm	50m	10 mm
					95+	190 lm/m	135 lm/m			
	LN-2835T-56	56pcs/m	48VDC	5.76 W/m	90+	668 lm/m	474 lm/m	250mm	35m	10 mm
					95+	553 lm/m	393 lm/m			
Short Cut	FN-F2835A-60	60pcs/m	12VDC	14.4 W/m	90+	1239 lm/m	838 lm/m	33.3mm	5.5m	10 mm
					95+	979lm/m	695 lm/m			

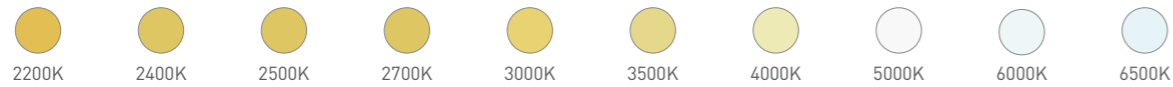
VERTICAL SURFACE MOUNTED - U LENS SERIES

► SL183111

RECOMMENDED LIGHT SOURCE

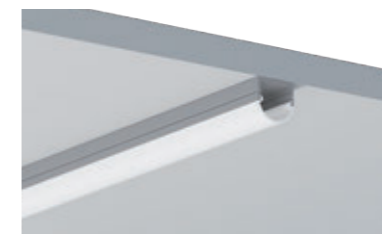
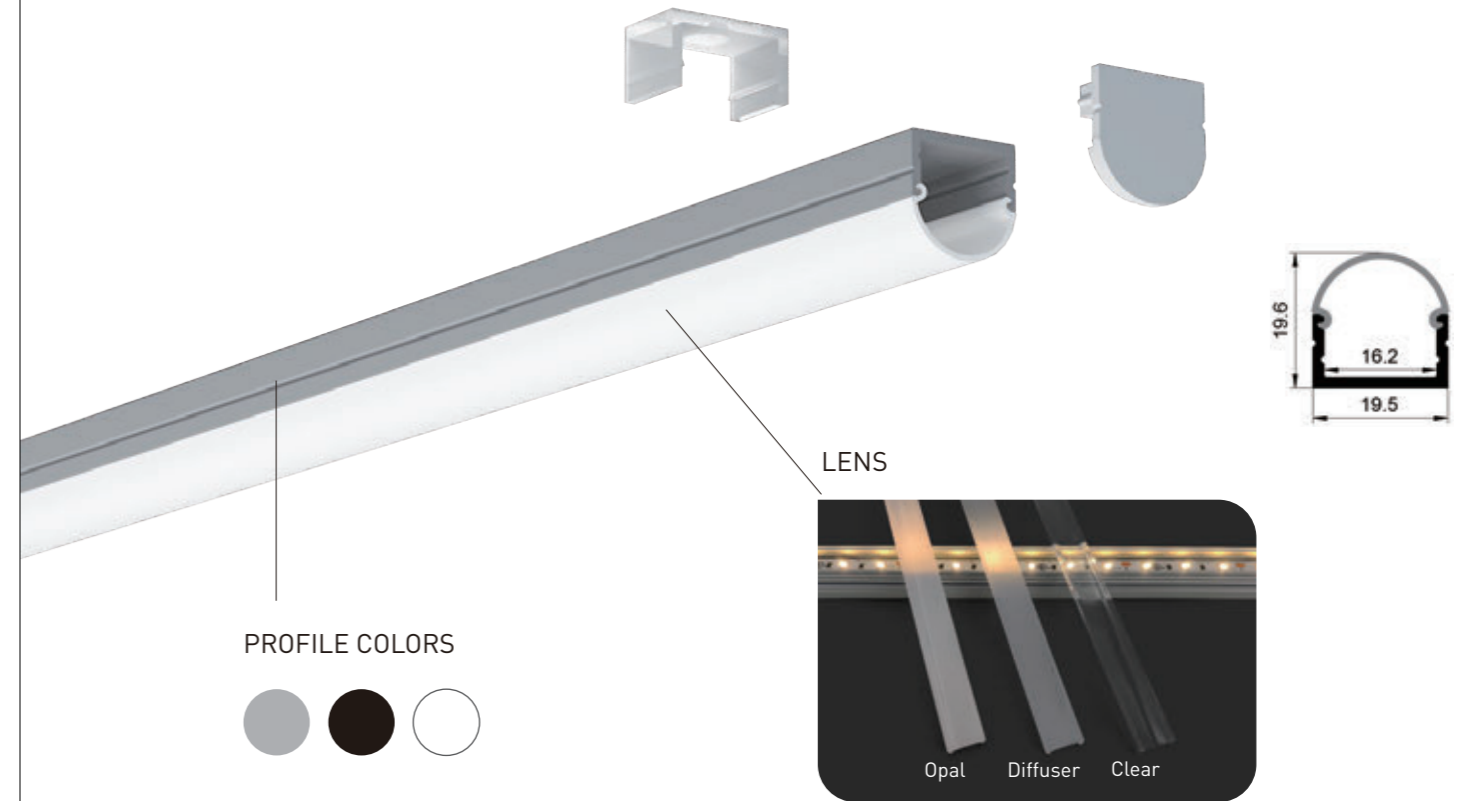
Performance	Part Code	Led Qty	Input Vol.	Power	CRI	Light Source Lumen	Diffuser Lens Lumen	Cutable length	Max Run	Pcb Width
General	FN-2835T-120	120pcs/m	12/24VDC	14.40 W/m	90+	1512 lm/m	1074 lm/m	12V=25mm 24V=50mm	12V=5m 24V=9m	10 mm
					95+	1282 lm/m	910 lm/m			
High Efficiency	FN-H2835T-128	128pcs/m	24VDC	11.52 W/m	90+	1613 lm/m	1145 lm/m	24V=62.5mm	24V=6m	10 mm
	FN-H28350-160	160pcs/m	24VDC	24 W/m	90+	3480 lm/m	2743 lm/m	50mm	3m	10 mm
					95+	1475 lm/m	1047 lm/m			
	FN-H2835T-160	160pcs/m	24VDC	14.40 W/m	90+	1987 lm/m	1411 lm/m	24V=50mm	24V=5m	10 mm
	FN-H28350-192	192pcs/m	24VDC	28.8 W/m	90+	4176 lm/m	3292 lm/m	41.7mm	2.5m	10 mm
95+					1843 lm/m	1309 lm/m				
Long Run	LN-H2835T-80	80pcs/m	36VDC	5.18W/m	90+	580 lm/m	412 lm/m	100mm	50m	10 mm
					95+	482 lm/m	342 lm/m			
	LN-H2835T-112	112pcs/m	48VDC	11.52 W/m	90+	1336 lm/m	949 lm/m	125mm	25m	10 mm
					95+	1106 lm/m	785 lm/m			
	LN-H2835T-120	120pcs/m	24VDC	6.00 W/m	90+	588 lm/m	417 lm/m	50mm	21m	10 mm
					95+	486 lm/m	345 lm/m			
Short Cut	FN-F2835A-120	120pcs/m	12VDC	21.60 W/m	90+	1922 lm/m	1365 lm/m	16.7mm	3.5m	10 mm
					95+	1595 lm/m	1133 lm/m			

Remark: 1. The tested data based on silver finish in 4000K, CRI 90+ light source. 2. LN-H2835T-80 is good for long run, but it will show light spot.



VERTICAL SURFACE MOUNTED - U LENS SERIES

► SL201616



Installation: Surface Mounted
 Length Available: 1-3m
 Profile Color: Silver, Black Anodized, White Powder Coating
 Lens: Opal, Diffuser, Clear
 Input Cable: Endcaps, Profile Bottom, Profile Sides
 Quick Female/Male Connectors Input cable & Junction Box available

VERTICAL SURFACE MOUNTED - U LENS SERIES

► SL201616

ORDERING CODE

Luminaire	Finish	Lens	Vol.	Power	CRI	CCT	Input Cable	Connector	Wiring
SL201616	W White	D Diffuser	12 12VDC	2.40W/m	90 90+	22-2200K , 24-2400K , 25-2500K 27-2700K , 30-3000K , 35-3500K 40-4000K , 50-5000K , 65-6500K	01 - Black&Red 22AWG	A - AMP male/female	B - Through profile back
				5.04W/m					
				24 24VDC					
	B Black	O Opal	24 24VDC	5.18W/m	95 95+	22-2200K , 25-2500K , 27-2700K 30-3000K , 35-3500K , 40-4000K 50-5000K , 65-6500K	02 - Black&White 22AWG	M - Molex male/female	E - Through Endcaps
				5.76W/m					
				36 36VDC					
	S Silver	C Clear	36 36VDC	6.00W/m	TW	Tunable White - check your executive sales	03 - White PU protected 2 pin	D - DC male/female	S - Through profile side
				7.68W/m					
				48 48VDC					
				11.52W/m	D2W	Dim To Warm - check your executive sales	04 - 3Pin cable for Tunable white		
				14.40W/m					
				21.60W/m					
			24.00W/m						
			28.80W/m						

RECOMMENDED LIGHT SOURCE

Performance	Part Code	Led Qty	Input Vol.	Power	CRI	Light Source Lumen	Diffuser Lens Lumen	Cutttable length	Max Run	Pcb Width
General	FN-2835T-60	60pcs/m	12/24VDC	14.40 W/m	90+	1440 lm/m	1022 lm/m	12V=25mm 24V=100mm	12V=5m 24V=9m	10 mm
					95+	1238 lm/m	879 lm/m			
High Efficiency	FN-H2835T-64	64pcs/m	24VDC	7.68 W/m	90+	1029 lm/m	731 lm/m	125mm	5m	10 mm
					95+	968 lm/m	687 lm/m			
	FN-H28350-80	80pcs/m	24VDC	14.40W/m	90+	2275 lm/m	1615 lm/m	100mm	4m	10 mm
Long Run	LN-2835T-60	60pcs/m	24VDC	5.04 W/m	90+	499 lm/m	354 lm/m	100mm	21m	10mm
					95+	413 lm/m	293 lm/m			
				2.4 W/m	90+	230 lm/m	163 lm/m	100mm	50m	10 mm
					95+	190 lm/m	135 lm/m			
	LN-2835T-56	56pcs/m	48VDC	5.76 W/m	90+	668 lm/m	474 lm/m	250mm	35m	10 mm
					95+	553 lm/m	393 lm/m			
Short Cut	FN-F2835A-60	60pcs/m	12VDC	14.4 W/m	90+	1239 lm/m	838 lm/m	33.3mm	5.5m	10 mm
					95+	979lm/m	695 lm/m			

VERTICAL SURFACE MOUNTED - U LENS SERIES

► SL201616

RECOMMENDED LIGHT SOURCE

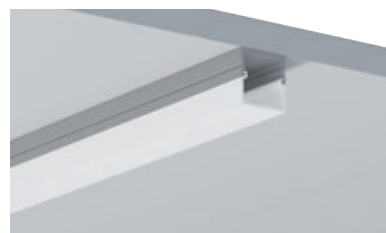
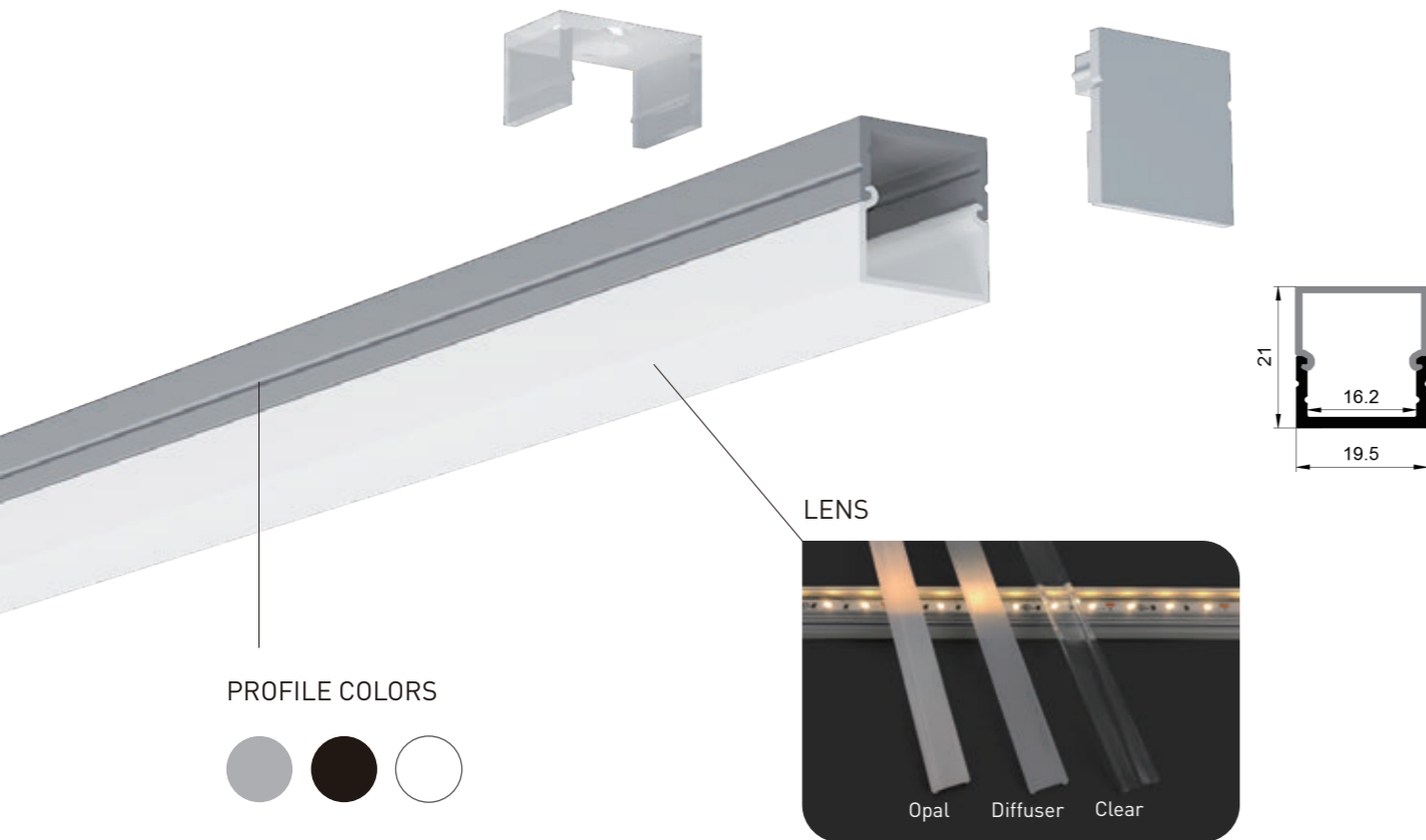
Performance	Part Code	Led Qty	Input Vol.	Power	CRI	Light Source Lumen	Diffuser Lens Lumen	Cutttable length	Max Run	Pcb Width
General	FN-2835T-120	120pcs/m	12/24VDC	14.40 W/m	90+	1512 lm/m	1074 lm/m	12V=25mm 24V=50mm	12V=5m 24V=9m	10 mm
					95+	1282 lm/m	910 lm/m			
High Efficiency	FN-H2835T-128	128pcs/m	24VDC	11.52 W/m	90+	1613 lm/m	1145 lm/m	24V=62.5mm	24V=6m	10 mm
					95+	1475 lm/m	1047 lm/m			
	FN-H28350-160	160pcs/m	24VDC	24 W/m	90+	3480 lm/m	2743 lm/m	50mm	3m	10 mm
	FN-H2835T-160	160pcs/m	24VDC	14.40 W/m	90+	1987 lm/m	1411 lm/m	24V=50mm	24V=5m	10 mm
					95+	1843 lm/m	1309 lm/m			
FN-H28350-192	192pcs/m	24VDC	28.8 W/m	90+	4176 lm/m	3292 lm/m	41.7mm	2.5m	10 mm	
Long Run	LN-H2835T-80	80pcs/m	36VDC	5.18W/m	90+	580 lm/m	412 lm/m	100mm	50m	10 mm
					95+	482 lm/m	342 lm/m			
	LN-H2835T-112	112pcs/m	48VDC	11.52 W/m	90+	1336 lm/m	949 lm/m	125mm	25m	10 mm
					95+	1106 lm/m	785 lm/m			
	LN-H2835T-120	120pcs/m	24VDC	6.00 W/m	90+	588 lm/m	417 lm/m	50mm	21m	10 mm
					95+	486 lm/m	345 lm/m			
Short Cut	FN-F2835A-120	120pcs/m	12VDC	21.60 W/m	90+	1922 lm/m	1365 lm/m	16.7mm	3.5m	10 mm
					95+	1595 lm/m	1133 lm/m			

Remark: 1. The tested data based on siliver finish in 4000K, CRI 90+ light source. 2. LN-H2835T-80 is good for long run, but it will show light spot.



VERTICAL SURFACE MOUNTED - U LENS SERIES

► SL2016B16



Installation: Surface Mounted
 Length Available: 1-3m
 Profile Color: Silver, Black Anodized, White Powder Coating
 Lens: Opal, Diffuser, Clear
 Input Cable: Endcaps, Profile Bottom, Profile Sides
 Quick Female/Male Connectors Input cable & Junction Box available

VERTICAL SURFACE MOUNTED - U LENS SERIES

► SL2016B16

ORDERING CODE

Luminaire	Finish	Lens	Vol.	Power	CRI	CCT	Input Cable	Connector	Wiring
SL2016B16	W White	D Diffuser	12 12VDC	2.40W/m	90 90+	22-2200K , 24-2400K , 25-2500K 27-2700K , 30-3000K , 35-3500K 40-4000K , 50-5000K , 65-6500K	01 - Black&Red 22AWG	A - AMP male/female	B - Through profile back
				5.04W/m					
				5.18W/m					
	B Black	O Opal	24 24VDC	5.18W/m	95 95+	22-2200K , 25-2500K , 27-2700K 30-3000K , 35-3500K , 40-4000K 50-5000K , 65-6500K	02 - Black&White 22AWG	M - Molex male/female	E - Through Endcaps
				5.76W/m					
				6.00W/m					
	S Silver	C Clear	36 36VDC	5.76W/m	TW	Tunable White - check your executive sales	03 - White PU protected 2 pin	D - DC male/female	S - Through profile side
				7.68W/m					
				11.52W/m					
				14.40W/m	D2W	Dim To Warm - check your executive sales	04 - 3Pin cable for Tunable white		
				21.60W/m					
				24.00W/m					
			28.80W/m						

RECOMMENDED LIGHT SOURCE

Performance	Part Code	Led Qty	Input Vol.	Power	CRI	Light Source Lumen	Diffuser Lens Lumen	Cutttable length	Max Run	Pcb Width	
General	FN-2835T-60	60pcs/m	12/24VDC	14.40 W/m	90+	1440 lm/m	1022 lm/m	12V=25mm 24V=100mm	12V=5m 24V=9m	10 mm	
					95+	1238 lm/m	879 lm/m				
High Efficiency	FN-H2835T-64	64pcs/m	24VDC	7.68 W/m	90+	1029 lm/m	731 lm/m	125mm	5m	10 mm	
					95+	968 lm/m	687 lm/m				
	FN-H28350-80	80pcs/m	24VDC	14.40W/m	90+	2275 lm/m	1615 lm/m	100mm	4m	10 mm	
Long Run	LN-2835T-60	60pcs/m	24VDC	5.04 W/m	90+	499 lm/m	354 lm/m	100mm	21m	10mm	
					95+	413 lm/m	293 lm/m				
					2.4 W/m	90+	230 lm/m	163 lm/m	100mm	50m	10 mm
						95+	190 lm/m	135 lm/m			
	LN-2835T-56	56pcs/m	48VDC	5.76 W/m	90+	668 lm/m	474 lm/m	250mm	35m	10 mm	
					95+	553 lm/m	393 lm/m				
Short Cut	FN-F2835A-60	60pcs/m	12VDC	14.4 W/m	90+	1239 lm/m	838 lm/m	33.3mm	5.5m	10 mm	
					95+	979lm/m	695 lm/m				

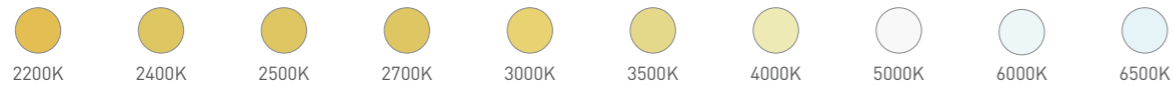
VERTICAL SURFACE MOUNTED - U LENS SERIES

► SL2016B16

RECOMMENDED LIGHT SOURCE

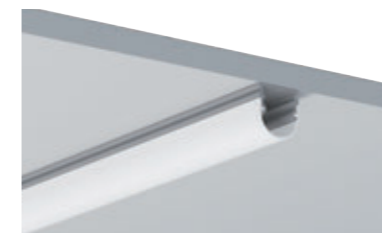
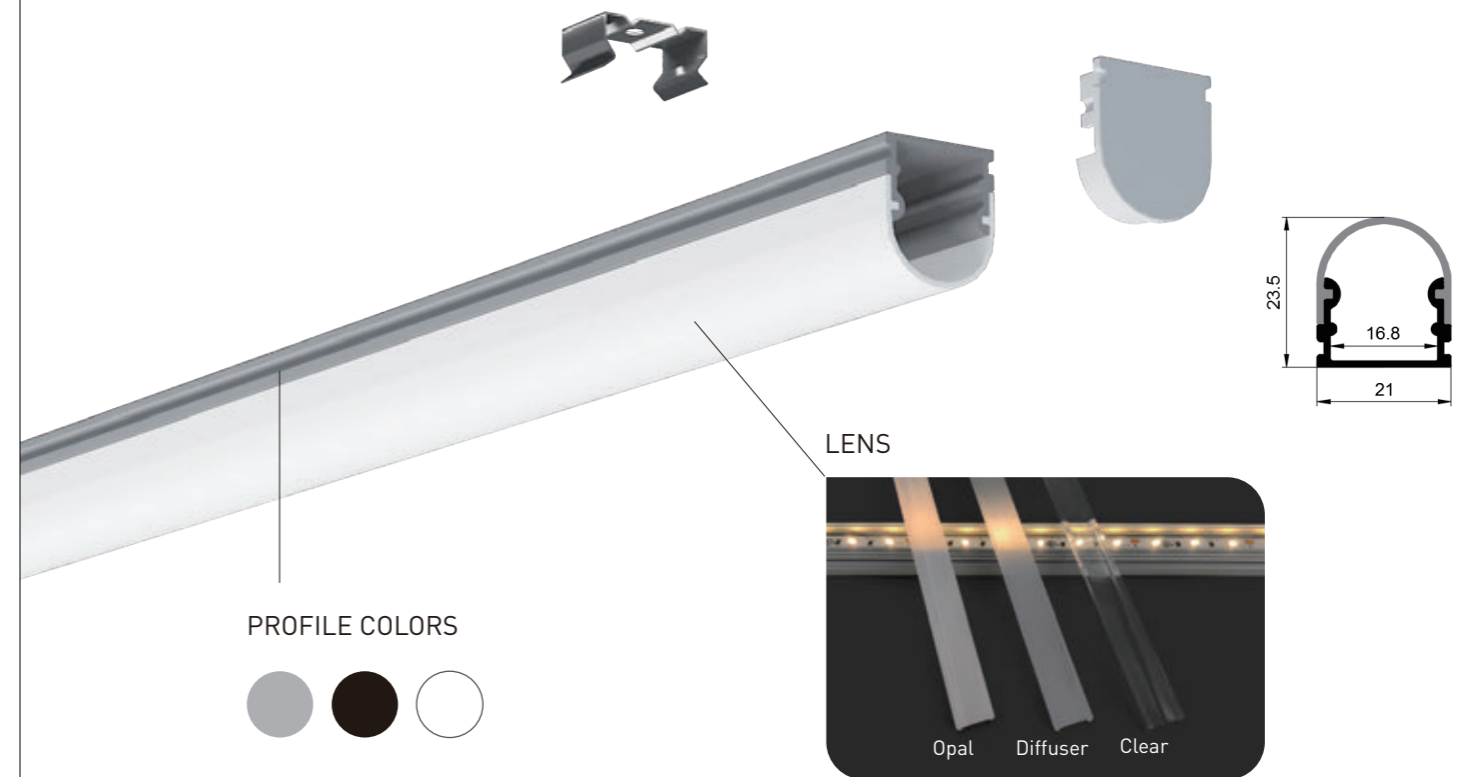
Performance	Part Code	Led Qty	Input Vol.	Power	CRI	Light Source Lumen	Diffuser Lens Lumen	Cutttable length	Max Run	Pcb Width
General	FN-2835T-120	120pcs/m	12/24VDC	14.40 W/m	90+	1512 lm/m	1074 lm/m	12V=25mm 24V=50mm	12V=5m 24V=9m	10 mm
					95+	1282 lm/m	910 lm/m			
High Efficiency	FN-H2835T-128	128pcs/m	24VDC	11.52 W/m	90+	1613 lm/m	1145 lm/m	24V=62.5mm	24V=6m	10 mm
				95+	1475 lm/m	1047 lm/m				
	FN-H28350-160	160pcs/m	24VDC	24 W/m	90+	3480 lm/m	2743 lm/m	50mm	3m	10 mm
	FN-H2835T-160	160pcs/m	24VDC	14.40 W/m	90+	1987 lm/m	1411 lm/m	24V=50mm	24V=5m	10 mm
				95+	1843 lm/m	1309 lm/m				
FN-H28350-192	192pcs/m	24VDC	28.8 W/m	90+	4176 lm/m	3292 lm/m	41.7mm	2.5m	10 mm	
Long Run	LN-H2835T-80	80pcs/m	36VDC	5.18W/m	90+	580 lm/m	412 lm/m	100mm	50m	10 mm
				95+	482 lm/m	342 lm/m				
	LN-H2835T-112	112pcs/m	48VDC	11.52 W/m	90+	1336 lm/m	949 lm/m	125mm	25m	10 mm
				95+	1106 lm/m	785 lm/m				
	LN-H2835T-120	120pcs/m	24VDC	6.00 W/m	90+	588 lm/m	417 lm/m	50mm	21m	10 mm
				95+	486 lm/m	345 lm/m				
Short Cut	FN-F2835A-120	120pcs/m	12VDC	21.60 W/m	90+	1922 lm/m	1365 lm/m	16.7mm	3.5m	10 mm
					95+	1595 lm/m	1133 lm/m			

Remark: 1. The tested data based on silver finish in 4000K, CRI 90+ light source. 2. LN-H2835T-80 is good for long run, but it will show light spot.



VERTICAL SURFACE MOUNTED - U LENS SERIES

► SL2114B16



Installation: Surface Mounted
 Length Available: 1-3m
 Profile Color: Silver, Black Anodized, White Powder Coating
 Lens: Opal, Diffuser, Clear
 Input Cable: Endcaps, Profile Bottom, Profile Sides
 Quick Female/Male Connectors Input cable & Junction Box available

VERTICAL SURFACE MOUNTED - U LENS SERIES

► SL2114B16

ORDERING CODE

Luminaire	Finish	Lens	Vol.	Power	CRI	CCT	Input Cable	Connector	Wiring
SL2114B16	W White	D Diffuser	12 12VDC	2.40W/m	90 90+	22-2200K , 24-2400K , 25-2500K 27-2700K , 30-3000K , 35-3500K 40-4000K , 50-5000K , 65-6500K	01 - Black&Red 22AWG	A - AMP male/female	B - Through profile back
				5.04W/m					
				24 24VDC					
	B Black	O Opal	24 24VDC	5.18W/m	95 95+	22-2200K , 25-2500K , 27-2700K 30-3000K , 35-3500K , 40-4000K 50-5000K , 65-6500K	02 - Black&White 22AWG	M - Molex male/female	E - Through Endcaps
				5.76W/m					
				36 36VDC					
	S Silver	C Clear	36 36VDC	6.00W/m	TW	Tunable White - check your executive sales	03 - White PU protected 2 pin	D - DC male/female	S - Through profile side
				7.68W/m					
				48 48VDC					
				11.52W/m	D2W	Dim To Warm - check your executive sales	04 - 3Pin cable for Tunable white		
				14.40W/m					
				21.60W/m					
			24.00W/m						
			28.80W/m						

RECOMMENDED LIGHT SOURCE

Performance	Part Code	Led Qty	Input Vol.	Power	CRI	Light Source Lumen	Diffuser Lens Lumen	Cutttable length	Max Run	Pcb Width
General	FN-2835T-60	60pcs/m	12/24VDC	14.40 W/m	90+	1440 lm/m	1022 lm/m	12V=25mm 24V=100mm	12V=5m 24V=9m	10 mm
					95+	1238 lm/m	879 lm/m			
High Efficiency	FN-H2835T-64	64pcs/m	24VDC	7.68 W/m	90+	1029 lm/m	731 lm/m	125mm	5m	10 mm
					95+	968 lm/m	687 lm/m			
	FN-H28350-80	80pcs/m	24VDC	14.40W/m	90+	2275 lm/m	1615 lm/m	100mm	4m	10 mm
Long Run	LN-2835T-60	60pcs/m	24VDC	5.04 W/m	90+	499 lm/m	354 lm/m	100mm	21m	10mm
					95+	413 lm/m	293 lm/m			
				2.4 W/m	90+	230 lm/m	163 lm/m	100mm	50m	10 mm
					95+	190 lm/m	135 lm/m			
	LN-2835T-56	56pcs/m	48VDC	5.76 W/m	90+	668 lm/m	474 lm/m	250mm	35m	10 mm
					95+	553 lm/m	393 lm/m			
Short Cut	FN-F2835A-60	60pcs/m	12VDC	14.4 W/m	90+	1239 lm/m	838 lm/m	33.3mm	5.5m	10 mm
					95+	979lm/m	695 lm/m			

VERTICAL SURFACE MOUNTED - U LENS SERIES

► SL2114B16

RECOMMENDED LIGHT SOURCE

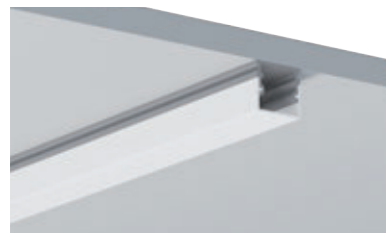
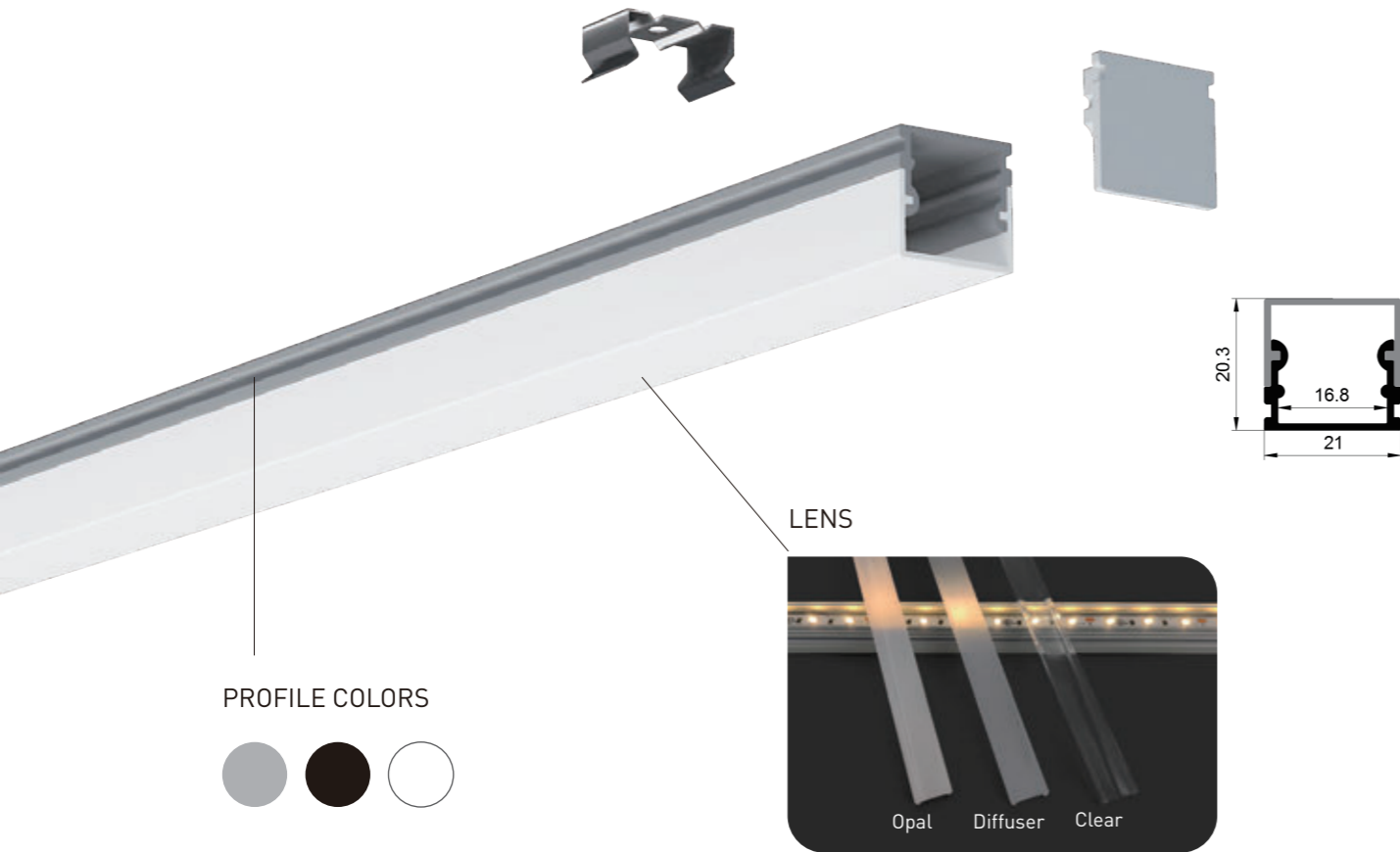
Performance	Part Code	Led Qty	Input Vol.	Power	CRI	Light Source Lumen	Diffuser Lens Lumen	Cutttable length	Max Run	Pcb Width							
General	FN-2835T-120	120pcs/m	12/24VDC	14.40 W/m	90+	1512 lm/m	1074 lm/m	12V=25mm 24V=50mm	12V=5m 24V=9m	10 mm							
					95+	1282 lm/m	910 lm/m										
High Efficiency	FN-H2835T-128	128pcs/m	24VDC	11.52 W/m	90+	1613 lm/m	1145 lm/m	24V=62.5mm	24V=6m	10 mm							
					95+	1475 lm/m	1047 lm/m										
	FN-H28350-160	160pcs/m	24VDC	24 W/m	90+	3480 lm/m	2743 lm/m	50mm	3m	10 mm							
					FN-H2835T-160	160pcs/m	24VDC				14.40 W/m	90+	1987 lm/m	1411 lm/m	24V=50mm	24V=5m	10 mm
												95+	1843 lm/m	1309 lm/m			
FN-H28350-192	192pcs/m	24VDC	28.8 W/m	90+	4176 lm/m	3292 lm/m	41.7mm	2.5m	10 mm								
				90+	580 lm/m	412 lm/m				100mm	50m	10 mm					
Long Run	LN-H2835T-80	80pcs/m	36VDC	5.18W/m	90+	580 lm/m	412 lm/m	100mm	50m				10 mm				
					95+	482 lm/m	342 lm/m										
	LN-H2835T-112	112pcs/m	48VDC	11.52 W/m	90+	1336 lm/m	949 lm/m	125mm	25m	10 mm							
					95+	1106 lm/m	785 lm/m										
LN-H2835T-120	120pcs/m	24VDC	6.00 W/m	90+	588 lm/m	417 lm/m	50mm	21m	10 mm								
				95+	486 lm/m	345 lm/m											
Short Cut	FN-F2835A-120	120pcs/m	12VDC	21.60 W/m	90+	1922 lm/m	1365 lm/m	16.7mm	3.5m	10 mm							
					95+	1595 lm/m	1133 lm/m										

Remark: 1. The tested data based on silver finish in 4000K, CRI 90+ light source. 2. LN-H2835T-80 is good for long run, but it will show light spot.



VERTICAL SURFACE MOUNTED - U LENS SERIES

► SL211416



Installation: Surface Mounted
 Length Available: 1-3m
 Profile Color: Silver, Black Anodized, White Powder Coating
 Lens: Opal, Diffuser, Clear
 Input Cable: Endcaps, Profile Bottom, Profile Sides
 Quick Female/Male Connectors Input cable & Junction Box available

VERTICAL SURFACE MOUNTED - U LENS SERIES

► SL211416

ORDERING CODE

Luminaire	Finish	Lens	Vol.	Power	CRI	CCT	Input Cable	Connector	Wiring
SL211416	W White	D Diffuser	12 12VDC	2.40W/m	90 90+	22-2200K , 24-2400K , 25-2500K 27-2700K , 30-3000K , 35-3500K 40-4000K , 50-5000K , 65-6500K	01 - Black&Red 22AWG	A - AMP male/female	B - Through profile back
				5.04W/m					
				5.18W/m					
	B Black	O Opal	24 24VDC	5.18W/m	95 95+	22-2200K , 25-2500K , 27-2700K 30-3000K , 35-3500K , 40-4000K 50-5000K , 65-6500K	02 - Black&White 22AWG	M - Molex male/female	E - Through Endcaps
				5.76W/m					
				6.00W/m					
	S Silver	C Clear	36 36VDC	5.76W/m	TW	Tunable White - check your executive sales	03 - White PU protected 2 pin	D - DC male/female	S - Through profile side
				7.68W/m					
				11.52W/m					
				14.40W/m	D2W	Dim To Warm - check your executive sales	04 - 3Pin cable for Tunable white		
				21.60W/m					
				24.00W/m					
			28.80W/m						

RECOMMENDED LIGHT SOURCE

Performance	Part Code	Led Qty	Input Vol.	Power	CRI	Light Source Lumen	Diffuser Lens Lumen	Cutttable length	Max Run	Pcb Width	
General	FN-2835T-60	60pcs/m	12/24VDC	14.40 W/m	90+	1440 lm/m	1022 lm/m	12V=25mm 24V=100mm	12V=5m 24V=9m	10 mm	
					95+	1238 lm/m	879 lm/m				
High Efficiency	FN-H2835T-64	64pcs/m	24VDC	7.68 W/m	90+	1029 lm/m	731 lm/m	125mm	5m	10 mm	
					95+	968 lm/m	687 lm/m				
	FN-H28350-80	80pcs/m	24VDC	14.40W/m	90+	2275 lm/m	1615 lm/m	100mm	4m	10 mm	
Long Run	LN-2835T-60	60pcs/m	24VDC	5.04 W/m	90+	499 lm/m	354 lm/m	100mm	21m	10mm	
					95+	413 lm/m	293 lm/m				
					2.4 W/m	90+	230 lm/m	163 lm/m	100mm	50m	10 mm
						95+	190 lm/m	135 lm/m			
	LN-2835T-56	56pcs/m	48VDC	5.76 W/m	90+	668 lm/m	474 lm/m	250mm	35m	10 mm	
					95+	553 lm/m	393 lm/m				
Short Cut	FN-F2835A-60	60pcs/m	12VDC	14.4 W/m	90+	1239 lm/m	838 lm/m	33.3mm	5.5m	10 mm	
					95+	979lm/m	695 lm/m				

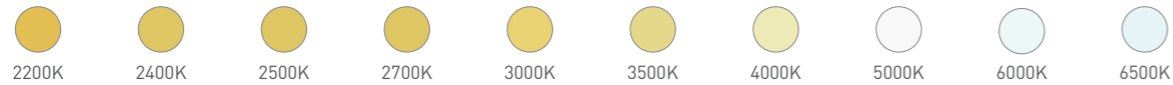
VERTICAL SURFACE MOUNTED - U LENS SERIES

► SL211416

RECOMMENDED LIGHT SOURCE

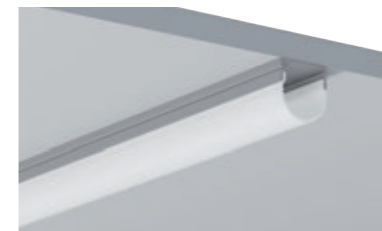
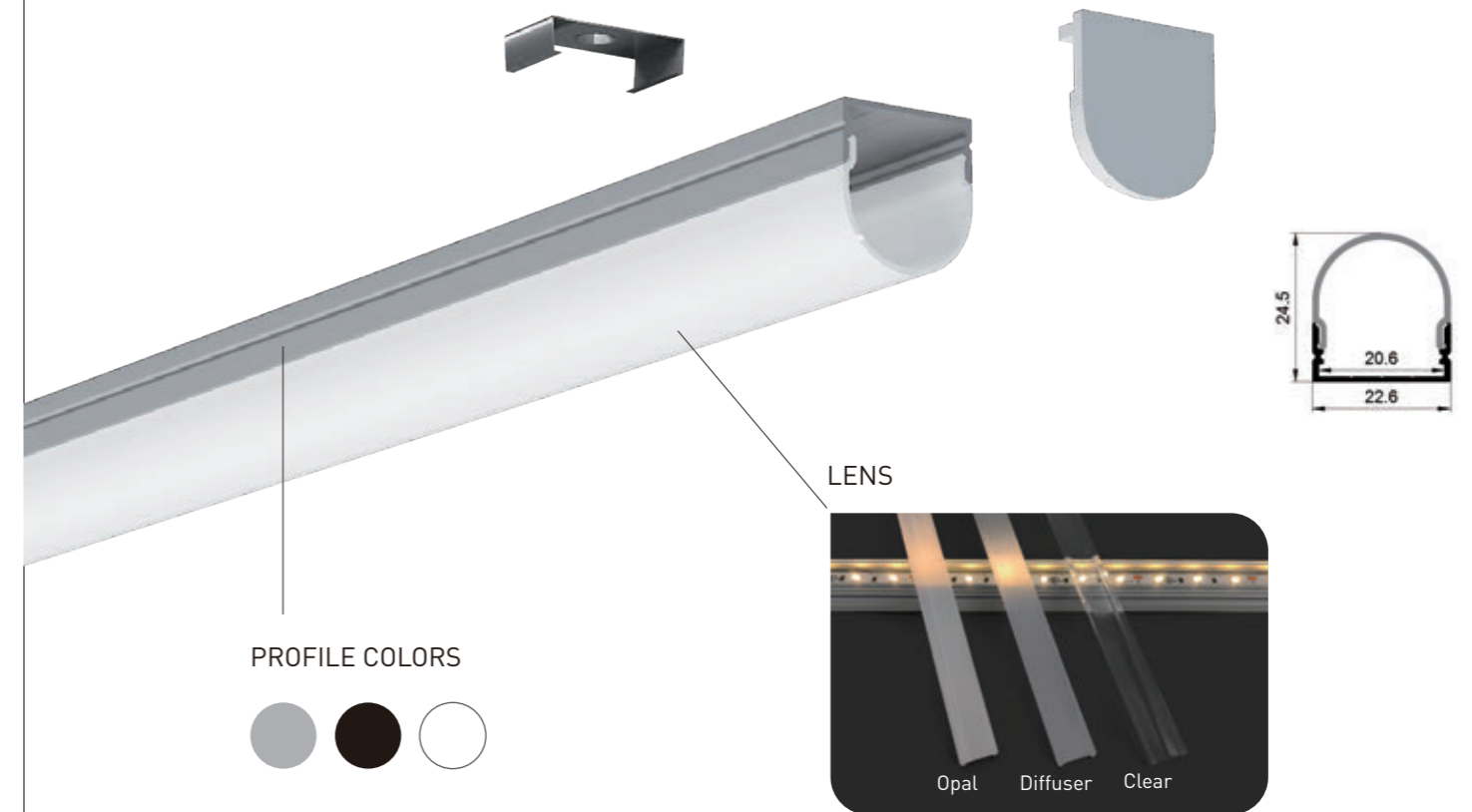
Performance	Part Code	Led Qty	Input Vol.	Power	CRI	Light Source Lumen	Diffuser Lens Lumen	Cutttable length	Max Run	Pcb Width
General	FN-2835T-120	120pcs/m	12/24VDC	14.40 W/m	90+	1512 lm/m	1074 lm/m	12V=25mm	12V=5m	10 mm
					95+	1282 lm/m	910 lm/m	24V=50mm	24V=9m	
High Efficiency	FN-H2835T-128	128pcs/m	24VDC	11.52 W/m	90+	1613 lm/m	1145 lm/m	24V=62.5mm	24V=6m	10 mm
	FN-H28350-160	160pcs/m	24VDC	24 W/m	90+	3480 lm/m	2743 lm/m	50mm	3m	10 mm
					95+	1475 lm/m	1047 lm/m			
	FN-H2835T-160	160pcs/m	24VDC	14.40 W/m	90+	1987 lm/m	1411 lm/m	24V=50mm	24V=5m	10 mm
					95+	1843 lm/m	1309 lm/m			
FN-H28350-192	192pcs/m	24VDC	28.8 W/m	90+	4176 lm/m	3292 lm/m	41.7mm	2.5m	10 mm	
Long Run	LN-H2835T-80	80pcs/m	36VDC	5.18W/m	90+	580 lm/m	412 lm/m	100mm	50m	10 mm
					95+	482 lm/m	342 lm/m			
	LN-H2835T-112	112pcs/m	48VDC	11.52 W/m	90+	1336 lm/m	949 lm/m	125mm	25m	10 mm
					95+	1106 lm/m	785 lm/m			
	LN-H2835T-120	120pcs/m	24VDC	6.00 W/m	90+	588 lm/m	417 lm/m	50mm	21m	10 mm
95+					486 lm/m	345 lm/m				
Short Cut	FN-F2835A-120	120pcs/m	12VDC	21.60 W/m	90+	1922 lm/m	1365 lm/m	16.7mm	3.5m	10 mm
					95+	1595 lm/m	1133 lm/m			

Remark: 1. The tested data based on silver finish in 4000K, CRI 90+ light source. 2. LN-H2835T-80 is good for long run, but it will show light spot.



VERTICAL SURFACE MOUNTED - U LENS SERIES

► SL232620



Installation: Surface Mounted
 Length Available: 1-3m
 Profile Color: Silver, Black Anodized, White Powder Coating
 Lens: Opal, Diffuser, Clear
 Input Cable: Endcaps, Profile Bottom, Profile Sides
 Quick Female/Male Connectors Input cable & Junction Box available

VERTICAL SURFACE MOUNTED - U LENS SERIES

► SL232620

ORDERING CODE

Luminaire	Finish	Lens	Vol.	Power	CRI	CCT	Input Cable	Connector	Wiring
SL232620	W White	D Diffuser	12 12VDC	2.40W/m	90 90+	22-2200K , 24-2400K , 25-2500K 27-2700K , 30-3000K , 35-3500K 40-4000K , 50-5000K , 65-6500K	01 - Black&Red 22AWG	A - AMP male/female	B - Through profile back
				5.04W/m					
				24 24VDC					
	B Black	O Opal	24 24VDC	5.18W/m	95 95+	22-2200K , 25-2500K , 27-2700K 30-3000K , 35-3500K , 40-4000K 50-5000K , 65-6500K	02 - Black&White 22AWG	M - Molex male/female	E - Through Endcaps
				5.76W/m					
				36 36VDC					
	S Silver	C Clear	36 36VDC	6.00W/m	TW	Tunable White - check your executive sales	03 - White PU protected 2 pin	D - DC male/female	S - Through profile side
				7.68W/m					
				48 48VDC					
				11.52W/m	D2W	Dim To Warm - check your executive sales	04 - 3Pin cable for Tunable white		
				14.40W/m					
				21.60W/m					
			24.00W/m						
			28.80W/m						

RECOMMENDED LIGHT SOURCE

Performance	Part Code	Led Qty	Input Vol.	Power	CRI	Light Source Lumen	Diffuser Lens Lumen	Cutttable length	Max Run	Pcb Width
General	FN-2835T-60	60pcs/m	12/24VDC	14.40 W/m	90+	1440 lm/m	1022 lm/m	12V=25mm 24V=100mm	12V=5m 24V=9m	10 mm
					95+	1238 lm/m	879 lm/m			
High Efficiency	FN-H2835T-64	64pcs/m	24VDC	7.68 W/m	90+	1029 lm/m	731 lm/m	125mm	5m	10 mm
					95+	968 lm/m	687 lm/m			
	FN-H28350-80	80pcs/m	24VDC	14.40W/m	90+	2275 lm/m	1615 lm/m	100mm	4m	10 mm
Long Run	LN-2835T-60	60pcs/m	24VDC	5.04 W/m	90+	499 lm/m	354 lm/m	100mm	21m	10mm
					95+	413 lm/m	293 lm/m			
				2.4 W/m	90+	230 lm/m	163 lm/m	100mm	50mm	10 mm
					95+	190 lm/m	135 lm/m			
LN-2835T-56	56pcs/m	48VDC	5.76 W/m	90+	668 lm/m	474 lm/m	250mm	35mm	10 mm	
				95+	553 lm/m	393 lm/m				
Short Cut	FN-F2835A-60	60pcs/m	12VDC	14.4 W/m	90+	1239 lm/m	838 lm/m	33.3mm	5.5mm	10 mm
					95+	979lm/m	695 lm/m			

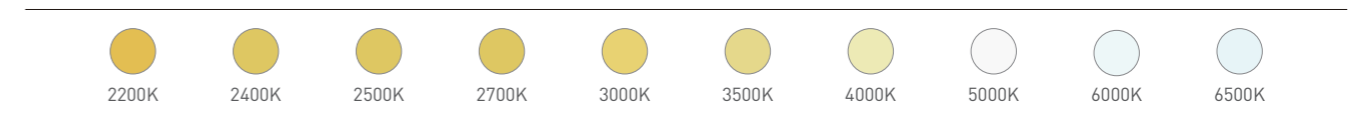
VERTICAL SURFACE MOUNTED - U LENS SERIES

► SL232620

RECOMMENDED LIGHT SOURCE

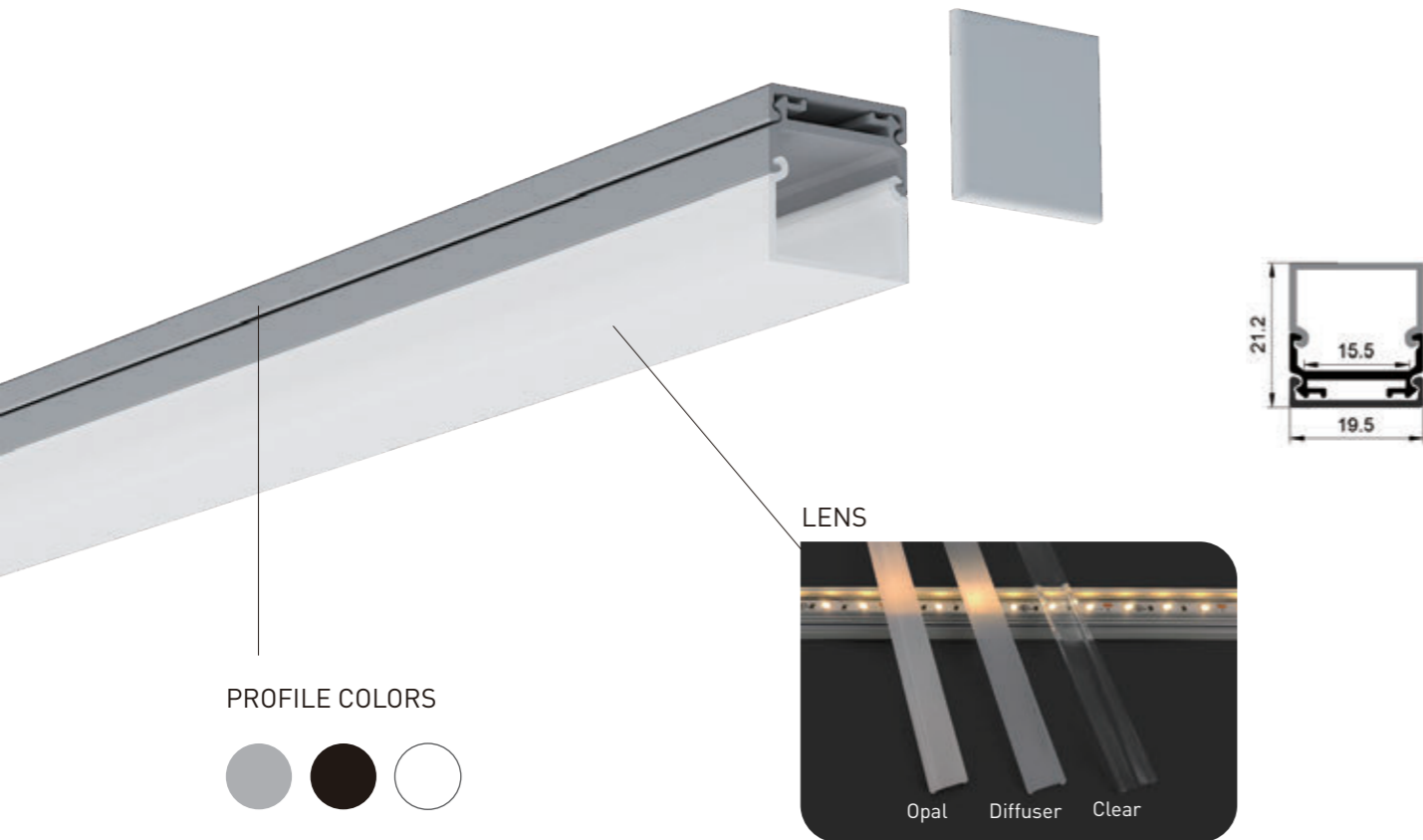
Performance	Part Code	Led Qty	Input Vol.	Power	CRI	Light Source Lumen	Diffuser Lens Lumen	Cutttable length	Max Run	Pcb Width
General	FN-2835T-120	120pcs/m	12/24VDC	14.40 W/m	90+	1512 lm/m	1074 lm/m	12V=25mm 24V=50mm	12V=5m 24V=9m	10 mm
					95+	1282 lm/m	910 lm/m			
High Efficiency	FN-H2835T-128	128pcs/m	24VDC	11.52 W/m	90+	1613 lm/m	1145 lm/m	24V=62.5mm	24V=6m	10 mm
					95+	1475 lm/m	1047 lm/m			
	FN-H28350-160	160pcs/m	24VDC	24 W/m	90+	3480 lm/m	2743 lm/m	50mm	3m	10 mm
	FN-H2835T-160	160pcs/m	24VDC	14.40 W/m	90+	1987 lm/m	1411 lm/m	24V=50mm	24V=5m	10 mm
					95+	1843 lm/m	1309 lm/m			
FN-H28350-192	192pcs/m	24VDC	28.8 W/m	90+	4176 lm/m	3292 lm/m	41.7mm	2.5m	10 mm	
Long Run	LN-H2835T-80	80pcs/m	36VDC	5.18W/m	90+	580 lm/m	412 lm/m	100mm	50m	10 mm
					95+	482 lm/m	342 lm/m			
	LN-H2835T-112	112pcs/m	48VDC	11.52 W/m	90+	1336 lm/m	949 lm/m	125mm	25m	10 mm
					95+	1106 lm/m	785 lm/m			
LN-H2835T-120	120pcs/m	24VDC	6.00 W/m	90+	588 lm/m	417 lm/m	50mm	21m	10 mm	
				95+	486 lm/m	345 lm/m				
Short Cut	FN-F2835A-120	120pcs/m	12VDC	21.60 W/m	90+	1922 lm/m	1365 lm/m	16.7mm	3.5m	10 mm
					95+	1595 lm/m	1133 lm/m			

Remark: 1. The tested data based on siliver finish in 4000K, CRI 90+ light source. 2. LN-H2835T-80 is good for long run, but it will show light spot.



VERTICAL SURFACE MOUNTED - U LENS SERIES

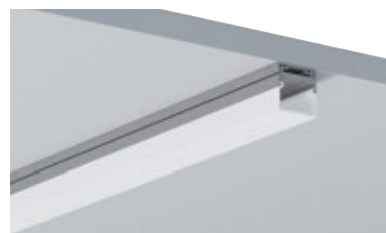
► SL2019B15



PROFILE COLORS



Opal Diffuser Clear



Installation: Surface Mounted
 Length Available: 1-3m
 Profile Color: Silver, Black Anodized, White Powder Coating
 Lens: Opal, Diffuser, Clear
 Input Cable: Endcaps, Profile Bottom, Profile Sides
 Quick Female/Male Connectors Input cable & Junction Box available

VERTICAL SURFACE MOUNTED - U LENS SERIES

► SL2019B15

ORDERING CODE

Luminaire	Finish	Lens	Vol.	Power	CRI	CCT	Input Cable	Connector	Wiring
SL2019B15	W White	D Diffuser	12 12VDC	2.40W/m	90 90+	22-2200K , 24-2400K , 25-2500K 27-2700K , 30-3000K , 35-3500K 40-4000K , 50-5000K , 65-6500K	01 - Black&Red 22AWG	A - AMP male/female	B - Through profile back
				5.04W/m					
	B Black	O Opal	24 24VDC	5.18W/m	95 95+	22-2200K , 25-2500K , 27-2700K 30-3000K , 35-3500K , 40-4000K 50-5000K , 65-6500K	02 - Black&White 22AWG	M - Molex male/female	E - Through Endcaps
				5.76W/m					
	S Silver	C Clear	36 36VDC	6.00W/m	TW	Tunable White - check your executive sales	03 - White PU protected 2 pin	D - DC male/female	S - Through profile side
				7.68W/m					
				11.52W/m	D2W	Dim To Warm - check your executive sales	04 - 3Pin cable for Tunable white		
				14.40W/m					
				21.60W/m					
				24.00W/m					
				28.80W/m					

RECOMMENDED LIGHT SOURCE

Performance	Part Code	Led Qty	Input Vol.	Power	CRI	Light Source Lumen	Diffuser Lens Lumen	Cutttable length	Max Run	Pcb Width	
General	FN-2835T-60	60pcs/m	12/24VDC	14.40 W/m	90+	1440 lm/m	1022 lm/m	12V=25mm 24V=100mm	12V=5m 24V=9m	10 mm	
					95+	1238 lm/m	879 lm/m				
High Efficiency	FN-H2835T-64	64pcs/m	24VDC	7.68 W/m	90+	1029 lm/m	731 lm/m	125mm	5m	10 mm	
					95+	968 lm/m	687 lm/m				
	FN-H28350-80	80pcs/m	24VDC	14.40W/m	90+	2275 lm/m	1615 lm/m	100mm	4m	10 mm	
Long Run	LN-2835T-60	60pcs/m	24VDC	5.04 W/m	90+	499 lm/m	354 lm/m	100mm	21m	10mm	
					95+	413 lm/m	293 lm/m				
					2.4 W/m	90+	230 lm/m	163 lm/m	100mm	50m	10 mm
						95+	190 lm/m	135 lm/m			
	LN-2835T-56	56pcs/m	48VDC	5.76 W/m	90+	668 lm/m	474 lm/m	250mm	35m	10 mm	
					95+	553 lm/m	393 lm/m				
Short Cut	FN-F2835A-60	60pcs/m	12VDC	14.4 W/m	90+	1239 lm/m	838 lm/m	33.3mm	5.5m	10 mm	
					95+	979lm/m	695 lm/m				

VERTICAL SURFACE MOUNTED - U LENS SERIES

► SL2019B15

RECOMMENDED LIGHT SOURCE

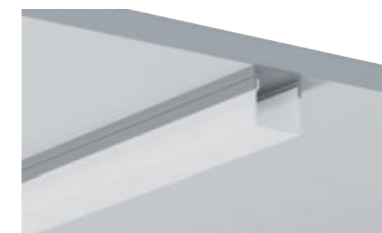
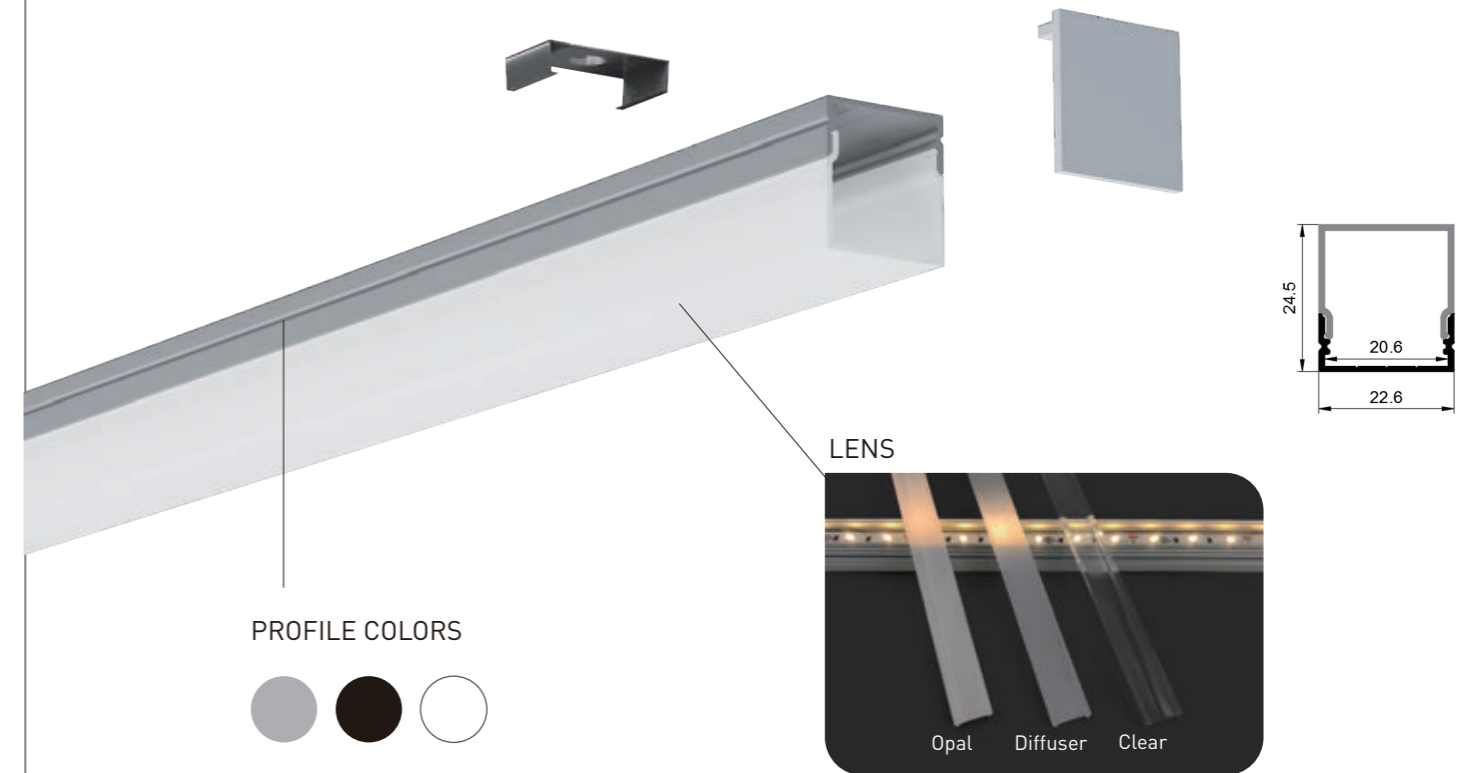
Performance	Part Code	Led Qty	Input Vol.	Power	CRI	Light Source Lumen	Diffuser Lens Lumen	Cutttable length	Max Run	Pcb Width
General	FN-2835T-120	120pcs/m	12/24VDC	14.40 W/m	90+	1512 lm/m	1074 lm/m	12V=25mm 24V=50mm	12V=5m 24V=9m	10 mm
					95+	1282 lm/m	910 lm/m			
High Efficiency	FN-H2835T-128	128pcs/m	24VDC	11.52 W/m	90+	1613 lm/m	1145 lm/m	24V=62.5mm	24V=6m	10 mm
				95+	1475 lm/m	1047 lm/m				
	FN-H28350-160	160pcs/m	24VDC	24 W/m	90+	3480 lm/m	2743 lm/m	50mm	3m	10 mm
	FN-H2835T-160	160pcs/m	24VDC	14.40 W/m	90+	1987 lm/m	1411 lm/m	24V=50mm	24V=5mm	10 mm
				95+	1843 lm/m	1309 lm/m				
FN-H28350-192	192pcs/m	24VDC	28.8 W/m	90+	4176 lm/m	3292 lm/m	41.7mm	2.5m	10 mm	
Long Run	LN-H2835T-80	80pcs/m	36VDC	5.18W/m	90+	580 lm/m	412 lm/m	100mm	50mm	10 mm
					95+	482 lm/m	342 lm/m			
	LN-H2835T-112	112pcs/m	48VDC	11.52 W/m	90+	1336 lm/m	949 lm/m	125mm	25mm	10 mm
					95+	1106 lm/m	785 lm/m			
	LN-H2835T-120	120pcs/m	24VDC	6.00 W/m	90+	588 lm/m	417 lm/m	50mm	21mm	10 mm
					95+	486 lm/m	345 lm/m			
Short Cut	FN-F2835A-120	120pcs/m	12VDC	21.60 W/m	90+	1922 lm/m	1365 lm/m	16.7mm	3.5mm	10 mm
					95+	1595 lm/m	1133 lm/m			

Remark: 1. The tested data based on silver finish in 4000K, CRI 90+ light source. 2. LN-H2835T-80 is good for long run, but it will show light spot.



VERTICAL SURFACE MOUNTED - U LENS SERIES

► SL2326B20



Installation: Surface Mounted
 Length Available: 1-3m
 Profile Color: Silver, Black Anodized, White Powder Coating
 Lens: Opal, Diffuser, Clear
 Input Cable: Endcaps, Profile Bottom, Profile Sides
 Quick Female/Male Connectors Input cable & Junction Box available

VERTICAL SURFACE MOUNTED - U LENS SERIES

► SL2326B20

ORDERING CODE

Luminaire	Finish	Lens	Vol.	Power	CRI	CCT	Input Cable	Connector	Wiring
SL2326B20	W White	D Diffuser	12 12VDC	2.40W/m	90 90+	22-2200K , 24-2400K , 25-2500K 27-2700K , 30-3000K , 35-3500K 40-4000K , 50-5000K , 65-6500K	01 - Black&Red 22AWG	A - AMP male/female	B - Through profile back
				5.04W/m					
	B Black	O Opal	24 24VDC	5.18W/m	95 95+	22-2200K , 25-2500K , 27-2700K 30-3000K , 35-3500K , 40-4000K 50-5000K , 65-6500K	02 - Black&White 22AWG	M - Molex male/female	E - Through Endcaps
				5.76W/m					
	S Silver	C Clear	36 36VDC	6.00W/m	TW	Tunable White - check your executive sales	03 - White PU protected 2 pin	D - DC male/female	S - Through profile side
				7.68W/m					
				11.52W/m	D2W	Dim To Warm - check your executive sales	04 - 3Pin cable for Tunable white		
				14.40W/m					
				21.60W/m					
				24.00W/m					
			28.80W/m						

RECOMMENDED LIGHT SOURCE

Performance	Part Code	Led Qty	Input Vol.	Power	CRI	Light Source Lumen	Diffuser Lens Lumen	Cutttable length	Max Run	Pcb Width
General	FN-2835T-60	60pcs/m	12/24VDC	14.40 W/m	90+	1440 lm/m	1022 lm/m	12V=25mm 24V=100mm	12V=5m 24V=9m	10 mm
					95+	1238 lm/m	879 lm/m			
High Efficiency	FN-H2835T-64	64pcs/m	24VDC	7.68 W/m	90+	1029 lm/m	731 lm/m	125mm	5m	10 mm
					95+	968 lm/m	687 lm/m			
	FN-H28350-80	80pcs/m	24VDC	14.40W/m	90+	2275 lm/m	1615 lm/m	100mm	4m	10 mm
Long Run	LN-2835T-60	60pcs/m	24VDC	5.04 W/m	90+	499 lm/m	354 lm/m	100mm	21m	10mm
					95+	413 lm/m	293 lm/m			
				2.4 W/m	90+	230 lm/m	163 lm/m	100mm	50m	10 mm
					95+	190 lm/m	135 lm/m			
	LN-2835T-56	56pcs/m	48VDC	5.76 W/m	90+	668 lm/m	474 lm/m	250mm	35m	10 mm
					95+	553 lm/m	393 lm/m			
Short Cut	FN-F2835A-60	60pcs/m	12VDC	14.4 W/m	90+	1239 lm/m	838 lm/m	33.3mm	5.5m	10 mm
					95+	979lm/m	695 lm/m			

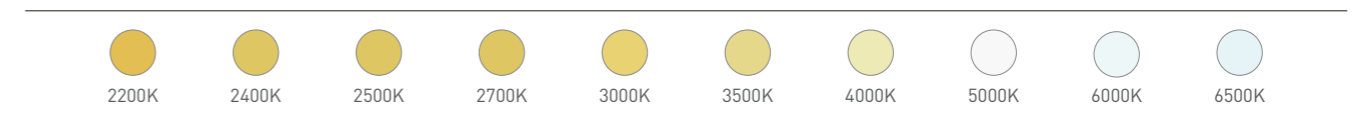
VERTICAL SURFACE MOUNTED - U LENS SERIES

► SL2326B20

RECOMMENDED LIGHT SOURCE

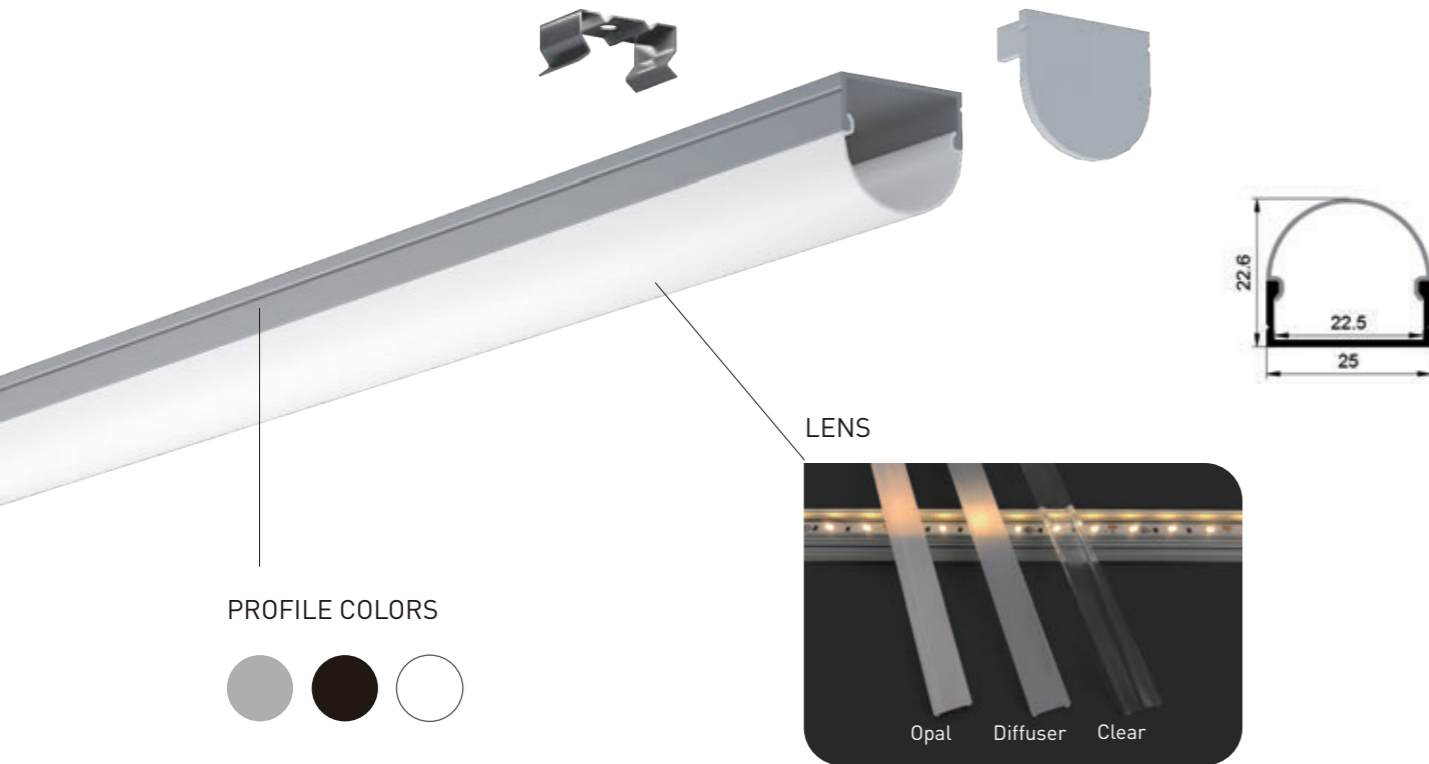
Performance	Part Code	Led Qty	Input Vol.	Power	CRI	Light Source Lumen	Diffuser Lens Lumen	Cutttable length	Max Run	Pcb Width
General	FN-2835T-120	120pcs/m	12/24VDC	14.40 W/m	90+	1512 lm/m	1074 lm/m	12V=25mm 24V=50mm	12V=5m 24V=9m	10 mm
					95+	1282 lm/m	910 lm/m			
High Efficiency	FN-H2835T-128	128pcs/m	24VDC	11.52 W/m	90+	1613 lm/m	1145 lm/m	24V=62.5mm	24V=6m	10 mm
				95+	1475 lm/m	1047 lm/m				
	FN-H28350-160	160pcs/m	24VDC	24 W/m	90+	3480 lm/m	2743 lm/m	50mm	3m	10 mm
	FN-H2835T-160	160pcs/m	24VDC	14.40 W/m	90+	1987 lm/m	1411 lm/m	24V=50mm	24V=5m	10 mm
					95+	1843 lm/m	1309 lm/m			
FN-H28350-192	192pcs/m	24VDC	28.8 W/m	90+	4176 lm/m	3292 lm/m	41.7mm	2.5m	10 mm	
Long Run	LN-H2835T-80	80pcs/m	36VDC	5.18W/m	90+	580 lm/m	412 lm/m	100mm	50m	10 mm
					95+	482 lm/m	342 lm/m			
	LN-H2835T-112	112pcs/m	48VDC	11.52 W/m	90+	1336 lm/m	949 lm/m	125mm	25m	10 mm
					95+	1106 lm/m	785 lm/m			
	LN-H2835T-120	120pcs/m	24VDC	6.00 W/m	90+	588 lm/m	417 lm/m	50mm	21m	10 mm
					95+	486 lm/m	345 lm/m			
Short Cut	FN-F2835A-120	120pcs/m	12VDC	21.60 W/m	90+	1922 lm/m	1365 lm/m	16.7mm	3.5m	10 mm
					95+	1595 lm/m	1133 lm/m			

Remark: 1. The tested data based on siliver finish in 4000K, CRI 90+ light source. 2. LN-H2835T-80 is good for long run, but it will show light spot.

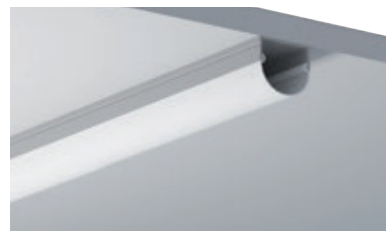
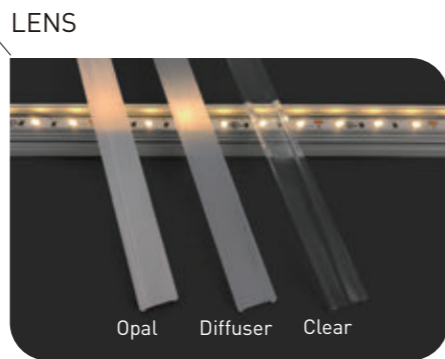


VERTICAL SURFACE MOUNTED - U LENS SERIES

► SL2511B22



PROFILE COLORS



Installation: Surface Mounted
 Length Available: 1-3m
 Profile Color: Silver, Black Anodized, White Powder Coating
 Lens: Opal, Diffuser, Clear
 Input Cable: Endcaps, Profile Bottom, Profile Sides
 Quick Female/Male Connectors Input cable & Junction Box available

VERTICAL SURFACE MOUNTED - U LENS SERIES

► SL2511B22

ORDERING CODE

Luminaire	Finish	Lens	Vol.	Power	CRI	CCT	Input Cable	Connector	Wiring	
SL2511B22	W White	D Diffuser	12	2.40W/m	90 90+	22-2200K , 24-2400K , 25-2500K 27-2700K , 30-3000K , 35-3500K 40-4000K , 50-5000K , 65-6500K	01 - Black&Red 22AWG	A - AMP male/female	B - Through profile back	
			12VDC	5.04W/m						
			24	5.18W/m						
	B Black	O Opal	24	5.18W/m	95 95+	22-2200K , 25-2500K , 27-2700K 30-3000K , 35-3500K , 40-4000K 50-5000K , 65-6500K	02 - Black&White 22AWG	M - Molex male/female	E - Through Endcaps	
			24VDC	5.76W/m						
			36	6.00W/m						
	S Silver	C Clear	36	5.76W/m	TW	Tunable White - check your executive sales	03 - White PU protected 2 pin	D - DC male/female	S - Through profile side	
			36VDC	7.68W/m						
			48	11.52W/m						
				48	14.40W/m	D2W	Dim To Warm - check your executive sales	04 - 3Pin cable for Tunable white		
				48VDC	21.60W/m					
					24.00W/m					
				28.80W/m						

RECOMMENDED LIGHT SOURCE

Performance	Part Code	Led Qty	Input Vol.	Power	CRI	Light Source Lumen	Diffuser Lens Lumen	Cutttable length	Max Run	Pcb Width
General	FN-2835T-60	60pcs/m	12/24VDC	14.40 W/m	90+	1440 lm/m	1022 lm/m	12V=25mm 24V=100mm	12V=5m 24V=9m	10 mm
					95+	1238 lm/m	879 lm/m			
High Efficiency	FN-H2835T-64	64pcs/m	24VDC	7.68 W/m	90+	1029 lm/m	731 lm/m	125mm	5m	10 mm
					95+	968 lm/m	687 lm/m			
	FN-H28350-80	80pcs/m	24VDC	14.40W/m	90+	2275 lm/m	1615 lm/m	100mm	4m	10 mm
Long Run	LN-2835T-60	60pcs/m	24VDC	5.04 W/m	90+	499 lm/m	354 lm/m	100mm	21m	10mm
					95+	413 lm/m	293 lm/m			
	LN-2835T-56	56pcs/m	48VDC	5.76 W/m	90+	230 lm/m	163 lm/m	100mm	50mm	10 mm
					95+	190 lm/m	135 lm/m			
Short Cut	FN-F2835A-60	60pcs/m	12VDC	14.4 W/m	90+	668 lm/m	474 lm/m	250mm	35mm	10 mm
					95+	553 lm/m	393 lm/m			
Short Cut	FN-F2835A-60	60pcs/m	12VDC	14.4 W/m	90+	1239 lm/m	838 lm/m	33.3mm	5.5mm	10 mm
					95+	979lm/m	695 lm/m			

VERTICAL SURFACE MOUNTED - U LENS SERIES

► SL2511B22

RECOMMENDED LIGHT SOURCE

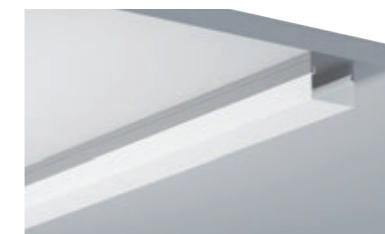
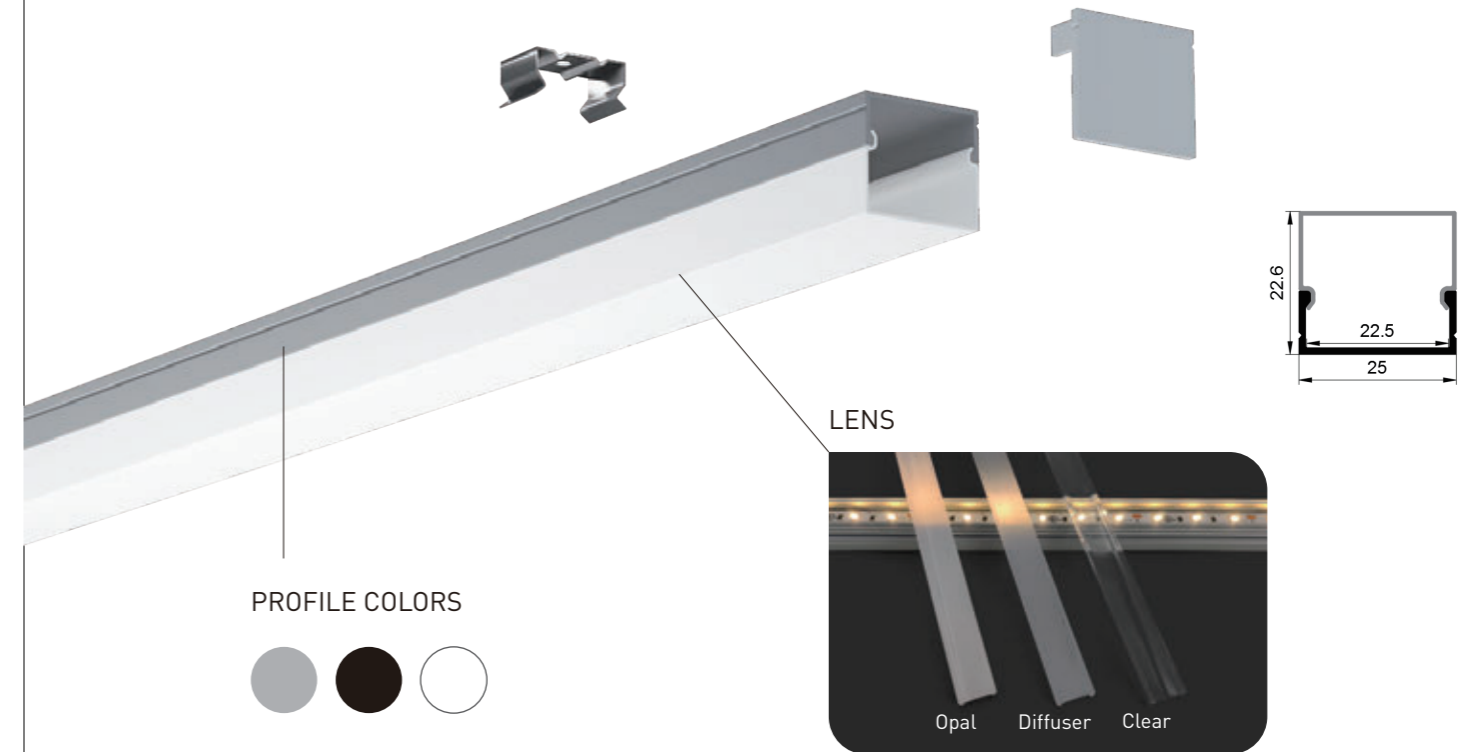
Performance	Part Code	Led Qty	Input Vol.	Power	CRI	Light Source Lumen	Diffuser Lens Lumen	Cutttable length	Max Run	Pcb Width
General	FN-2835T-120	120pcs/m	12/24VDC	14.40 W/m	90+	1512 lm/m	1074 lm/m	12V=25mm 24V=50mm	12V=5m 24V=9m	10 mm
					95+	1282 lm/m	910 lm/m			
High Efficiency	FN-H2835T-128	128pcs/m	24VDC	11.52 W/m	90+	1613 lm/m	1145 lm/m	24V=62.5mm	24V=6m	10 mm
				95+	1475 lm/m	1047 lm/m				
	FN-H28350-160	160pcs/m	24VDC	24 W/m	90+	3480 lm/m	2743 lm/m	50mm	3m	10 mm
	FN-H2835T-160	160pcs/m	24VDC	14.40 W/m	90+	1987 lm/m	1411 lm/m	24V=50mm	24V=5m	10 mm
				95+	1843 lm/m	1309 lm/m				
FN-H28350-192	192pcs/m	24VDC	28.8 W/m	90+	4176 lm/m	3292 lm/m	41.7mm	2.5m	10 mm	
Long Run	LN-H2835T-80	80pcs/m	36VDC	5.18W/m	90+	580 lm/m	412 lm/m	100mm	50m	10 mm
					95+	482 lm/m	342 lm/m			
	LN-H2835T-112	112pcs/m	48VDC	11.52 W/m	90+	1336 lm/m	949 lm/m	125mm	25m	10 mm
					95+	1106 lm/m	785 lm/m			
	LN-H2835T-120	120pcs/m	24VDC	6.00 W/m	90+	588 lm/m	417 lm/m	50mm	21m	10 mm
					95+	486 lm/m	345 lm/m			
Short Cut	FN-F2835A-120	120pcs/m	12VDC	21.60 W/m	90+	1922 lm/m	1365 lm/m	16.7mm	3.5m	10 mm
					95+	1595 lm/m	1133 lm/m			

Remark: 1. The tested data based on silver finish in 4000K, CRI 90+ light source. 2. LN-H2835T-80 is good for long run, but it will show light spot.



VERTICAL SURFACE MOUNTED - U LENS SERIES

► SL2511C22



Installation: Surface Mounted
 Length Available: 1-3m
 Profile Color: Silver, Black Anodized, White Powder Coating
 Lens: Opal, Diffuser, Clear
 Input Cable: Endcaps, Profile Bottom, Profile Sides
 Quick Female/Male Connectors Input cable & Junction Box available

VERTICAL SURFACE MOUNTED - U LENS SERIES

► SL2511C22

ORDERING CODE

Luminaire	Finish	Lens	Vol.	Power	CRI	CCT	Input Cable	Connector	Wiring
SL2511C22	W White	D Diffuser	12 12VDC	2.40W/m	90 90+	22-2200K , 24-2400K , 25-2500K 27-2700K , 30-3000K , 35-3500K 40-4000K , 50-5000K , 65-6500K	01 - Black&Red 22AWG	A - AMP male/female	B - Through profile back
				5.04W/m					
	B Black	O Opal	24 24VDC	5.18W/m	95 95+	22-2200K , 25-2500K , 27-2700K 30-3000K , 35-3500K , 40-4000K 50-5000K , 65-6500K	02 - Black&White 22AWG	M - Molex male/female	E - Through Endcaps
				5.76W/m					
	S Silver	C Clear	36 36VDC	6.00W/m	TW	Tunable White - check your executive sales	03 - White PU protected 2 pin	D - DC male/female	S - Through profile side
				7.68W/m					
				11.52W/m	D2W	Dim To Warm - check your executive sales	04 - 3Pin cable for Tunable white		
				14.40W/m					
				21.60W/m					
				24.00W/m					
			28.80W/m						

RECOMMENDED LIGHT SOURCE

Performance	Part Code	Led Qty	Input Vol.	Power	CRI	Light Source Lumen	Diffuser Lens Lumen	Cutttable length	Max Run	Pcb Width
General	FN-2835T-60	60pcs/m	12/24VDC	14.40 W/m	90+	1440 lm/m	1022 lm/m	12V=25mm 24V=100mm	12V=5m 24V=9m	10 mm
					95+	1238 lm/m	879 lm/m			
High Efficiency	FN-H2835T-64	64pcs/m	24VDC	7.68 W/m	90+	1029 lm/m	731 lm/m	125mm	5m	10 mm
					95+	968 lm/m	687 lm/m			
	FN-H28350-80	80pcs/m	24VDC	14.40W/m	90+	2275 lm/m	1615 lm/m	100mm	4m	10 mm
Long Run	LN-2835T-60	60pcs/m	24VDC	5.04 W/m	90+	499 lm/m	354 lm/m	100mm	21m	10mm
					95+	413 lm/m	293 lm/m			
				2.4 W/m	90+	230 lm/m	163 lm/m	100mm	50m	10 mm
					95+	190 lm/m	135 lm/m			
	LN-2835T-56	56pcs/m	48VDC	5.76 W/m	90+	668 lm/m	474 lm/m	250mm	35m	10 mm
					95+	553 lm/m	393 lm/m			
Short Cut	FN-F2835A-60	60pcs/m	12VDC	14.4 W/m	90+	1239 lm/m	838 lm/m	33.3mm	5.5m	10 mm
					95+	979lm/m	695 lm/m			

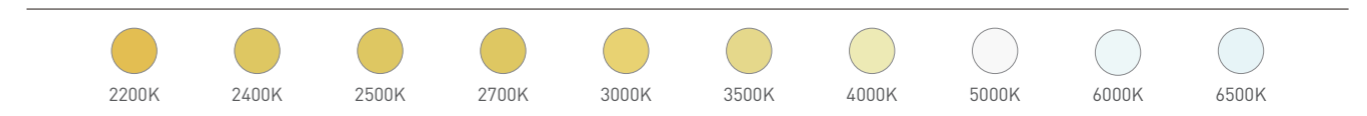
VERTICAL SURFACE MOUNTED - U LENS SERIES

► SL2511C22

RECOMMENDED LIGHT SOURCE

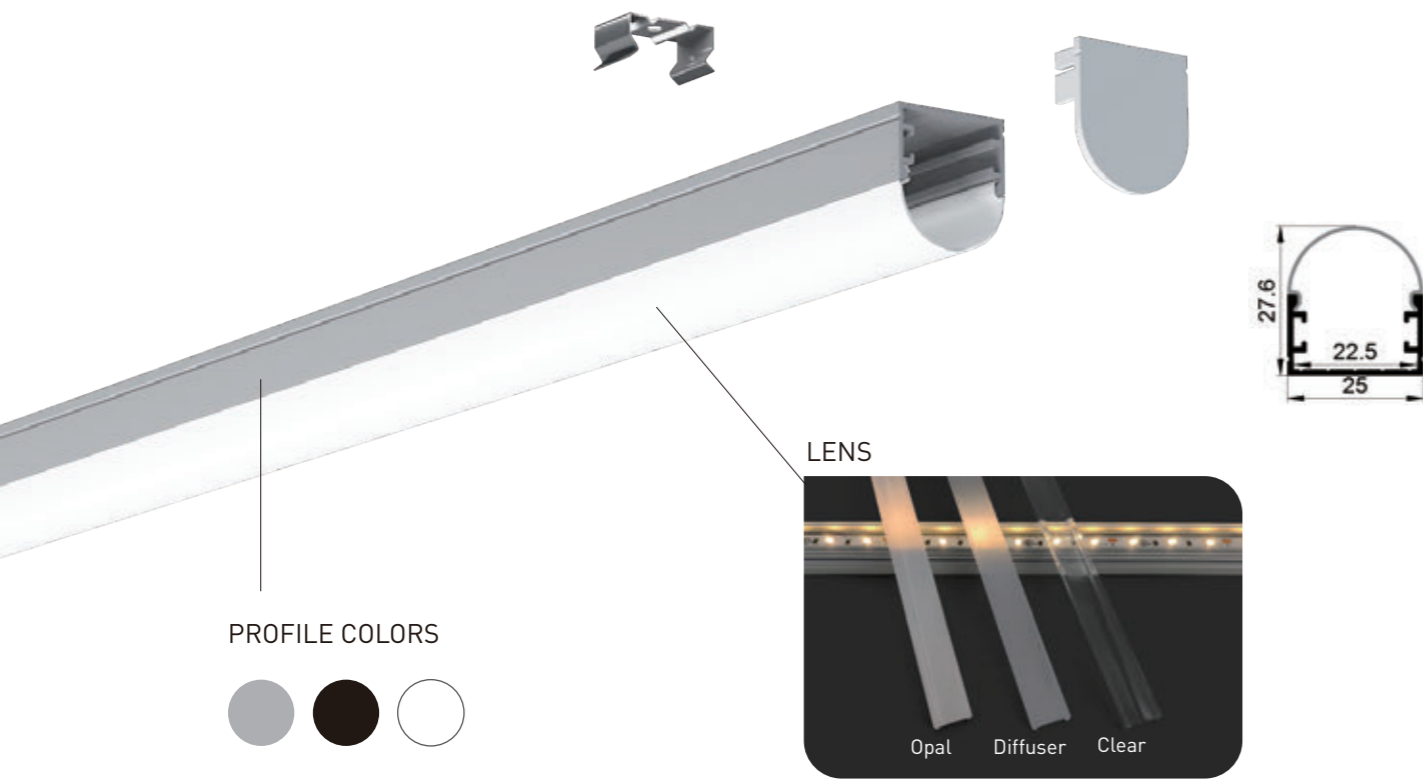
Performance	Part Code	Led Qty	Input Vol.	Power	CRI	Light Source Lumen	Diffuser Lens Lumen	Cutttable length	Max Run	Pcb Width
General	FN-2835T-120	120pcs/m	12/24VDC	14.40 W/m	90+	1512 lm/m	1074 lm/m	12V=25mm 24V=50mm	12V=5m 24V=9m	10 mm
					95+	1282 lm/m	910 lm/m			
High Efficiency	FN-H2835T-128	128pcs/m	24VDC	11.52 W/m	90+	1613 lm/m	1145 lm/m	24V=62.5mm	24V=6m	10 mm
				95+	1475 lm/m	1047 lm/m				
	FN-H28350-160	160pcs/m	24VDC	24 W/m	90+	3480 lm/m	2743 lm/m	50mm	3m	10 mm
	FN-H2835T-160	160pcs/m	24VDC	14.40 W/m	90+	1987 lm/m	1411 lm/m	24V=50mm	24V=5m	10 mm
				95+	1843 lm/m	1309 lm/m				
FN-H28350-192	192pcs/m	24VDC	28.8 W/m	90+	4176 lm/m	3292 lm/m	41.7mm	2.5m	10 mm	
Long Run	LN-H2835T-80	80pcs/m	36VDC	5.18W/m	90+	580 lm/m	412 lm/m	100mm	50m	10 mm
					95+	482 lm/m	342 lm/m			
	LN-H2835T-112	112pcs/m	48VDC	11.52 W/m	90+	1336 lm/m	949 lm/m	125mm	25m	10 mm
					95+	1106 lm/m	785 lm/m			
	LN-H2835T-120	120pcs/m	24VDC	6.00 W/m	90+	588 lm/m	417 lm/m	50mm	21m	10 mm
					95+	486 lm/m	345 lm/m			
Short Cut	FN-F2835A-120	120pcs/m	12VDC	21.60 W/m	90+	1922 lm/m	1365 lm/m	16.7mm	3.5m	10 mm
					95+	1595 lm/m	1133 lm/m			

Remark: 1. The tested data based on siliver finish in 4000K, CRI 90+ light source. 2. LN-H2835T-80 is good for long run, but it will show light spot.

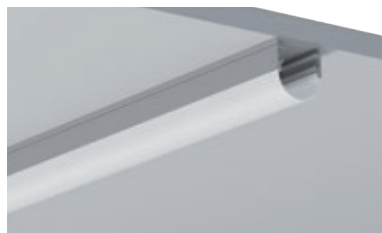
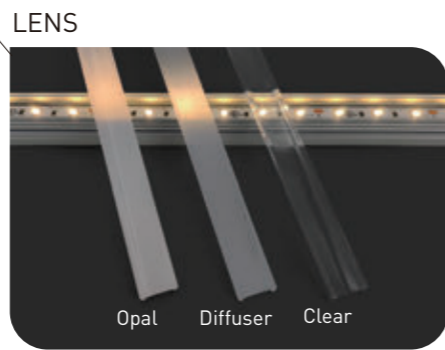


VERTICAL SURFACE MOUNTED - U LENS SERIES

► SL2516B22



PROFILE COLORS



Installation: Surface Mounted
 Length Available: 1-3m
 Profile Color: Silver, Black Anodized, White Powder Coating
 Lens: Opal, Diffuser, Clear
 Input Cable: Endcaps, Profile Bottom, Profile Sides
 Quick Female/Male Connectors Input cable & Junction Box available

VERTICAL SURFACE MOUNTED - U LENS SERIES

► SL2516B22

ORDERING CODE

Luminaire	Finish	Lens	Vol.	Power	CRI	CCT	Input Cable	Connector	Wiring
SL2516B22	W White	D Diffuser	12 12VDC	2.40W/m	90 90+	22-2200K , 24-2400K , 25-2500K 27-2700K , 30-3000K , 35-3500K 40-4000K , 50-5000K , 65-6500K	01 - Black&Red 22AWG	A - AMP male/female	B - Through profile back
				5.04W/m					
				6.00W/m					
	B Black	O Opal	24 24VDC	5.18W/m	95 95+	22-2200K , 25-2500K , 27-2700K 30-3000K , 35-3500K , 40-4000K 50-5000K , 65-6500K	02 - Black&White 22AWG	M - Molex male/female	E - Through Endcaps
				5.76W/m					
				7.68W/m					
	S Silver	C Clear	36 36VDC	11.52W/m	TW	Tunable White - check your executive sales	03 - White PU protected 2 pin	D - DC male/female	S - Through profile side
				14.40W/m					
				21.60W/m					
				24.00W/m	D2W	Dim To Warm - check your executive sales	04 - 3Pin cable for Tunable white		
				28.80W/m					

RECOMMENDED LIGHT SOURCE

Performance	Part Code	Led Qty	Input Vol.	Power	CRI	Light Source Lumen	Diffuser Lens Lumen	Cutttable length	Max Run	Pcb Width	
General	FN-2835T-60	60pcs/m	12/24VDC	14.40 W/m	90+	1440 lm/m	1022 lm/m	12V=25mm 24V=100mm	12V=5m 24V=9m	10 mm	
					95+	1238 lm/m	879 lm/m				
High Efficiency	FN-H2835T-64	64pcs/m	24VDC	7.68 W/m	90+	1029 lm/m	731 lm/m	125mm	5m	10 mm	
					95+	968 lm/m	687 lm/m				
	FN-H28350-80	80pcs/m	24VDC	14.40W/m	90+	2275 lm/m	1615 lm/m	100mm	4m	10 mm	
Long Run	LN-2835T-60	60pcs/m	24VDC	5.04 W/m	90+	499 lm/m	354 lm/m	100mm	21m	10mm	
					95+	413 lm/m	293 lm/m				
					2.4 W/m	90+	230 lm/m	163 lm/m	100mm	50m	10 mm
						95+	190 lm/m	135 lm/m			
	LN-2835T-56	56pcs/m	48VDC	5.76 W/m	90+	668 lm/m	474 lm/m	250mm	35m	10 mm	
					95+	553 lm/m	393 lm/m				
Short Cut	FN-F2835A-60	60pcs/m	12VDC	14.4 W/m	90+	1239 lm/m	838 lm/m	33.3mm	5.5m	10 mm	
					95+	979lm/m	695 lm/m				

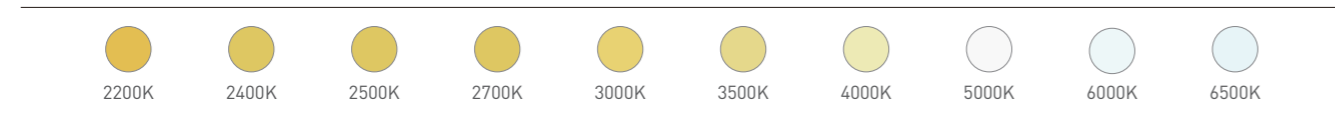
VERTICAL SURFACE MOUNTED - U LENS SERIES

► SL2516B22

RECOMMENDED LIGHT SOURCE

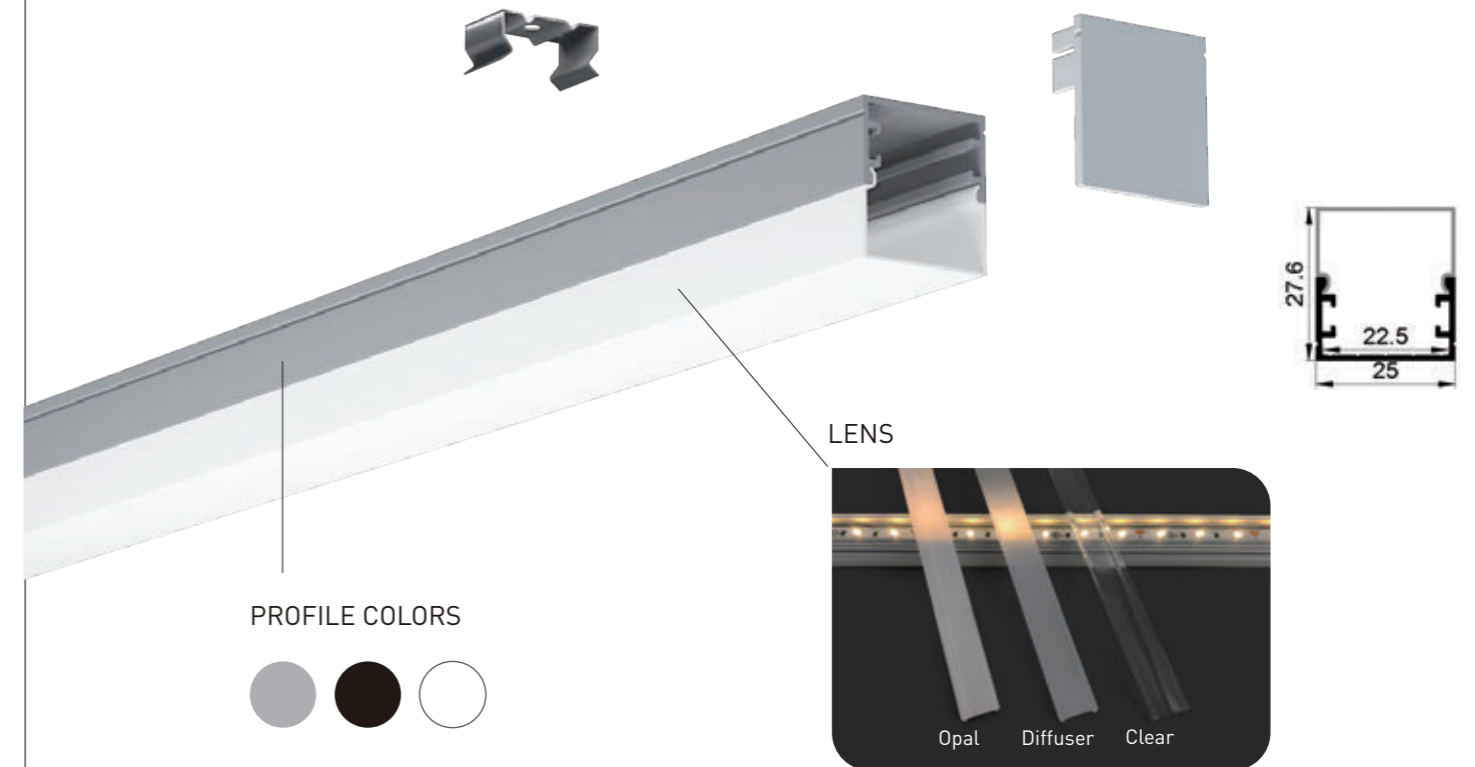
Performance	Part Code	Led Qty	Input Vol.	Power	CRI	Light Source Lumen	Diffuser Lens Lumen	Cutttable length	Max Run	Pcb Width
General	FN-2835T-120	120pcs/m	12/24VDC	14.40 W/m	90+	1512 lm/m	1074 lm/m	12V=25mm 24V=50mm	12V=5m 24V=9m	10 mm
					95+	1282 lm/m	910 lm/m			
High Efficiency	FN-H2835T-128	128pcs/m	24VDC	11.52 W/m	90+	1613 lm/m	1145 lm/m	24V=62.5mm	24V=6m	10 mm
				95+	1475 lm/m	1047 lm/m				
	FN-H28350-160	160pcs/m	24VDC	24 W/m	90+	3480 lm/m	2743 lm/m	50mm	3m	10 mm
	FN-H2835T-160	160pcs/m	24VDC	14.40 W/m	90+	1987 lm/m	1411 lm/m	24V=50mm	24V=5m	10 mm
				95+	1843 lm/m	1309 lm/m				
	FN-H28350-192	192pcs/m	24VDC	28.8 W/m	90+	4176 lm/m	3292 lm/m	41.7mm	2.5m	10 mm
Long Run	LN-H2835T-80	80pcs/m	36VDC	5.18W/m	90+	580 lm/m	412 lm/m	100mm	50m	10 mm
					95+	482 lm/m	342 lm/m			
	LN-H2835T-112	112pcs/m	48VDC	11.52 W/m	90+	1336 lm/m	949 lm/m	125mm	25m	10 mm
					95+	1106 lm/m	785 lm/m			
	LN-H2835T-120	120pcs/m	24VDC	6.00 W/m	90+	588 lm/m	417 lm/m	50mm	21m	10 mm
					95+	486 lm/m	345 lm/m			
Short Cut	FN-F2835A-120	120pcs/m	12VDC	21.60 W/m	90+	1922 lm/m	1365 lm/m	16.7mm	3.5m	10 mm
					95+	1595 lm/m	1133 lm/m			

Remark: 1. The tested data based on silver finish in 4000K, CRI 90+ light source. 2. LN-H2835T-80 is good for long run, but it will show light spot.



VERTICAL SURFACE MOUNTED - U LENS SERIES

► SL2516C22



Installation: Surface Mounted
 Length Available: 1-3m
 Profile Color: Silver, Black Anodized, White Powder Coating
 Lens: Opal, Diffuser, Clear
 Input Cable: Endcaps, Profile Bottom, Profile Sides
 Quick Female/Male Connectors Input cable & Junction Box available

VERTICAL SURFACE MOUNTED - U LENS SERIES

► SL2516C22

ORDERING CODE

Luminaire	Finish	LENS	Vol.	Power	CRI	CRI	Input Cable	Connector	Wiring
SL2516C22	W White	D Diffuser	12 12VDC	2.40W/m	90 90+	22-2200K , 24-2400K , 25-2500K 27-2700K , 30-3000K , 35-3500K 40-4000K , 50-5000K , 65-6500K	01 - Black&Red 22AWG	A - AMP male/female	B - Through profile back
				5.04W/m					
	B Black	O Opal	24 24VDC	5.18W/m	95 95+	22-2200K , 25-2500K , 27-2700K 30-3000K , 35-3500K , 40-4000K 50-5000K , 65-6500K	02 - Black&White 22AWG	M - Molex male/female	E - Through Endcaps
				5.76W/m					
	S Silver	C Clear	36 36VDC	6.00W/m	TW	Tunable White - check your executive sales	03 - White PU protected 2 pin	D - DC male/female	S - Through profile side
				7.68W/m					
				11.52W/m	D2W	Dim To Warm - check your executive sales	04 - 3Pin cable for Tunable white		
				14.40W/m					
				21.60W/m					
				24.00W/m					
			28.80W/m						

RECOMMENDED LIGHT SOURCE

Performance	Part Code	Led Qty	Input Vol.	Power	CRI	Light Source Lumen	Diffuser Lens Lumen	Cutttable length	Max Run	Pcb Width
General	FN-2835T-60	60pcs/m	12/24VDC	14.40 W/m	90+	1440 lm/m	1022 lm/m	12V=25mm 24V=100mm	12V=5m 24V=9m	10 mm
					95+	1238 lm/m	879 lm/m			
High Efficiency	FN-H2835T-64	64pcs/m	24VDC	7.68 W/m	90+	1029 lm/m	731 lm/m	125mm	5m	10 mm
					95+	968 lm/m	687 lm/m			
	FN-H28350-80	80pcs/m	24VDC	14.40W/m	90+	2275 lm/m	1615 lm/m	100mm	4m	10 mm
Long Run	LN-2835T-60	60pcs/m	24VDC	5.04 W/m	90+	499 lm/m	354 lm/m	100mm	21m	10mm
					95+	413 lm/m	293 lm/m			
				2.4 W/m	90+	230 lm/m	163 lm/m	100mm	50m	10 mm
					95+	190 lm/m	135 lm/m			
	LN-2835T-56	56pcs/m	48VDC	5.76 W/m	90+	668 lm/m	474 lm/m	250mm	35m	10 mm
					95+	553 lm/m	393 lm/m			
Short Cut	FN-F2835A-60	60pcs/m	12VDC	14.4 W/m	90+	1239 lm/m	838 lm/m	33.3mm	5.5m	10 mm
					95+	979lm/m	695 lm/m			

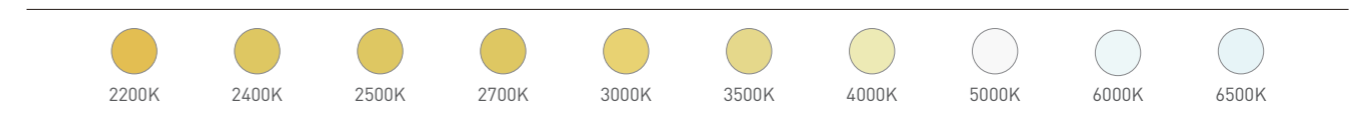
VERTICAL SURFACE MOUNTED - U LENS SERIES

► SL2516C22

RECOMMENDED LIGHT SOURCE

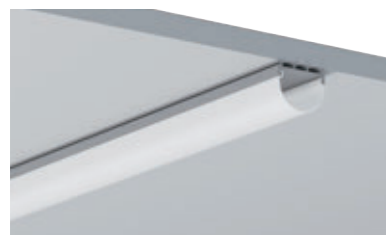
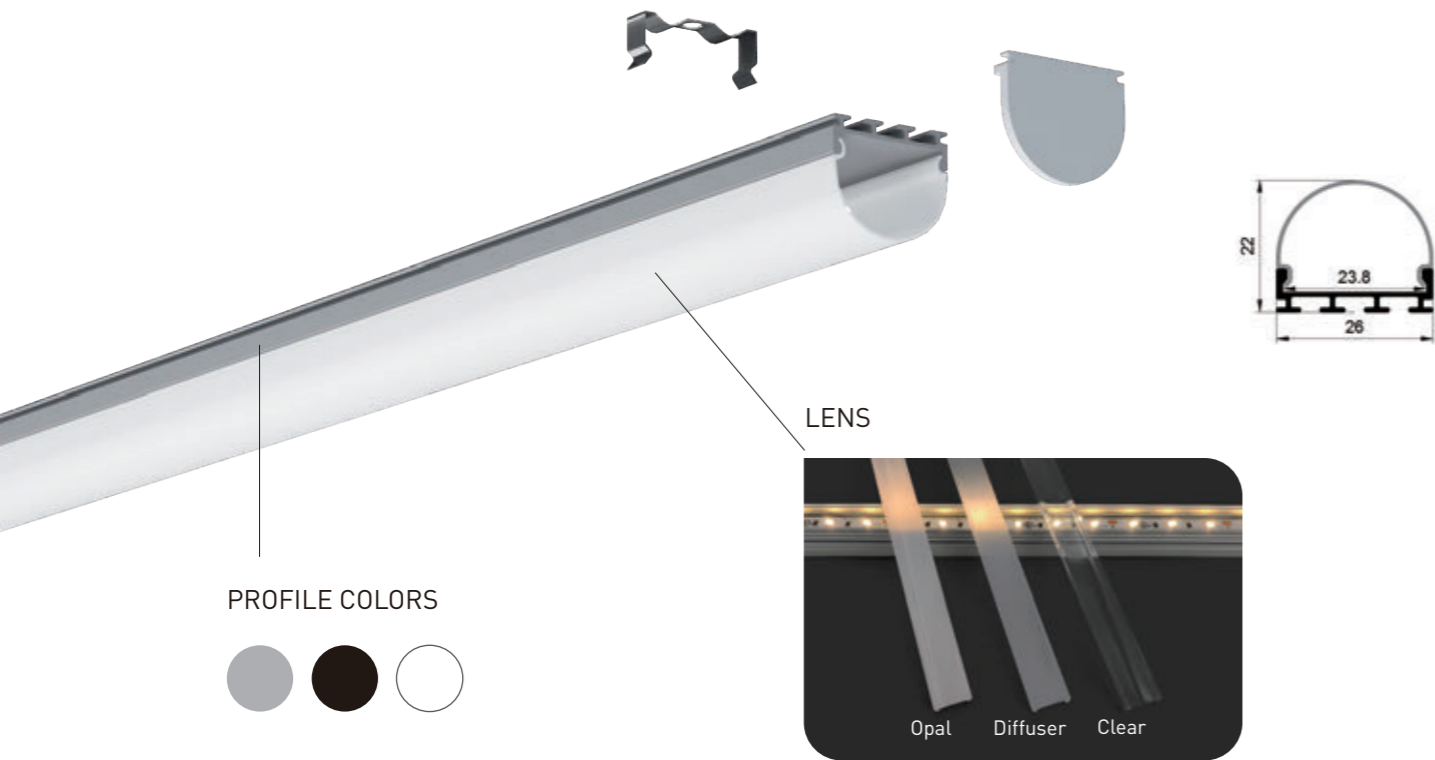
Performance	Part Code	Led Qty	Input Vol.	Power	CRI	Light Source Lumen	Diffuser Lens Lumen	Cutttable length	Max Run	Pcb Width
General	FN-2835T-120	120pcs/m	12/24VDC	14.40 W/m	90+	1512 lm/m	1074 lm/m	12V=25mm 24V=50mm	12V=5m 24V=9m	10 mm
					95+	1282 lm/m	910 lm/m			
High Efficiency	FN-H2835T-128	128pcs/m	24VDC	11.52 W/m	90+	1613 lm/m	1145 lm/m	24V=62.5mm	24V=6m	10 mm
				95+	1475 lm/m	1047 lm/m				
	FN-H28350-160	160pcs/m	24VDC	24 W/m	90+	3480 lm/m	2743 lm/m	50mm	3m	10 mm
	FN-H2835T-160	160pcs/m	24VDC	14.40 W/m	90+	1987 lm/m	1411 lm/m	24V=50mm	24V=5m	10 mm
				95+	1843 lm/m	1309 lm/m				
FN-H28350-192	192pcs/m	24VDC	28.8 W/m	90+	4176 lm/m	3292 lm/m	41.7mm	2.5m	10 mm	
Long Run	LN-H2835T-80	80pcs/m	36VDC	5.18W/m	90+	580 lm/m	412 lm/m	100mm	50m	10 mm
					95+	482 lm/m	342 lm/m			
	LN-H2835T-112	112pcs/m	48VDC	11.52 W/m	90+	1336 lm/m	949 lm/m	125mm	25m	10 mm
					95+	1106 lm/m	785 lm/m			
	LN-H2835T-120	120pcs/m	24VDC	6.00 W/m	90+	588 lm/m	417 lm/m	50mm	21m	10 mm
					95+	486 lm/m	345 lm/m			
Short Cut	FN-F2835A-120	120pcs/m	12VDC	21.60 W/m	90+	1922 lm/m	1365 lm/m	16.7mm	3.5m	10 mm
					95+	1595 lm/m	1133 lm/m			

Remark: 1. The tested data based on siliver finish in 4000K, CRI 90+ light source. 2. LN-H2835T-80 is good for long run, but it will show light spot.



VERTICAL SURFACE MOUNTED - U LENS SERIES

► SL261823



Installation: Surface Mounted
 Length Available: 1-3m
 Profile Color: Silver, Black Anodized, White Powder Coating
 Lens: Opal, Diffuser, Clear
 Input Cable: Endcaps, Profile Bottom, Profile Sides
 Quick Female/Male Connectors Input cable & Junction Box available

VERTICAL SURFACE MOUNTED - U LENS SERIES

► SL261823

ORDERING CODE

Luminaire	Finish	Lens	Vol.	Power	CRI	CCT	Input Cable	Connector	Wiring
SL261823	W White	D Diffuser	12 12VDC	2.40W/m	90 90+	22-2200K , 24-2400K , 25-2500K 27-2700K , 30-3000K , 35-3500K 40-4000K , 50-5000K , 65-6500K	01 - Black&Red 22AWG	A - AMP male/female	B - Through profile back
				5.04W/m					
	B Black	O Opal	24 24VDC	5.18W/m	95 95+	22-2200K , 25-2500K , 27-2700K 30-3000K , 35-3500K , 40-4000K 50-5000K , 65-6500K	02 - Black&White 22AWG	M - Molex male/female	E - Through Endcaps
				5.76W/m					
	S Silver	C Clear	36 36VDC	6.00W/m	TW	Tunable White - check your executive sales	03 - White PU protected 2 pin	D - DC male/female	S - Through profile side
				7.68W/m					
				11.52W/m	D2W	Dim To Warm - check your executive sales	04 - 3Pin cable for Tunable white		
				14.40W/m					
				21.60W/m					
				24.00W/m					
				28.80W/m					

RECOMMENDED LIGHT SOURCE

Performance	Part Code	Led Qty	Input Vol.	Power	CRI	Light Source Lumen	Diffuser Lens Lumen	Cutttable length	Max Run	Pcb Width
General	FN-2835T-60	60pcs/m	12/24VDC	14.40 W/m	90+	1440 lm/m	1022 lm/m	12V=25mm 24V=100mm	12V=5m 24V=9m	10 mm
					95+	1238 lm/m	879 lm/m			
High Efficiency	FN-H2835T-64	64pcs/m	24VDC	7.68 W/m	90+	1029 lm/m	731 lm/m	125mm	5m	10 mm
					95+	968 lm/m	687 lm/m			
	FN-H28350-80	80pcs/m	24VDC	14.40W/m	90+	2275 lm/m	1615 lm/m	100mm	4m	10 mm
Long Run	LN-2835T-60	60pcs/m	24VDC	5.04 W/m	90+	499 lm/m	354 lm/m	100mm	21m	10mm
					95+	413 lm/m	293 lm/m			
	LN-2835T-56	56pcs/m	48VDC	5.76 W/m	90+	230 lm/m	163 lm/m	100mm	50m	10 mm
					95+	190 lm/m	135 lm/m			
					90+	668 lm/m	474 lm/m	250mm	35m	10 mm
					95+	553 lm/m	393 lm/m			
Short Cut	FN-F2835A-60	60pcs/m	12VDC	14.4 W/m	90+	1239 lm/m	838 lm/m	33.3mm	5.5m	10 mm
					95+	979lm/m	695 lm/m			

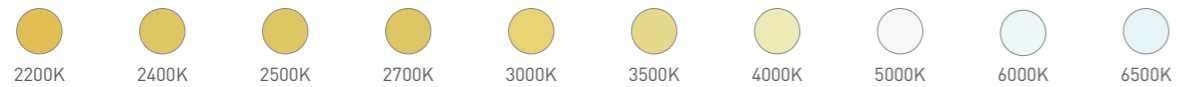
VERTICAL SURFACE MOUNTED - U LENS SERIES

► SL261823

RECOMMENDED LIGHT SOURCE

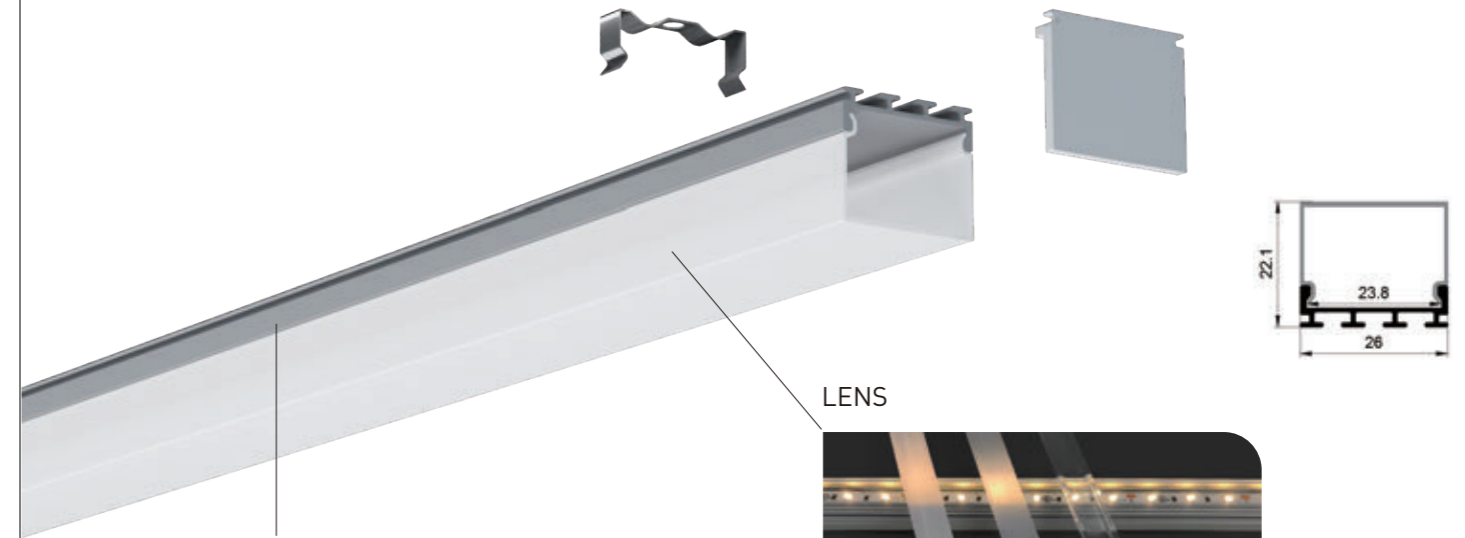
Performance	Part Code	Led Qty	Input Vol.	Power	CRI	Light Source Lumen	Diffuser Lens Lumen	Cutable length	Max Run	Pcb Width
General	FN-2835T-120	120pcs/m	12/24VDC	14.40 W/m	90+	1512 lm/m	1074 lm/m	12V=25mm 24V=50mm	12V=5m 24V=9m	10 mm
					95+	1282 lm/m	910 lm/m			
High Efficiency	FN-H2835T-128	128pcs/m	24VDC	11.52 W/m	90+	1613 lm/m	1145 lm/m	24V=62.5mm	24V=6m	10 mm
				95+	1475 lm/m	1047 lm/m				
	FN-H28350-160	160pcs/m	24VDC	24 W/m	90+	3480 lm/m	2743 lm/m	50mm	3m	10 mm
	FN-H2835T-160	160pcs/m	24VDC	14.40 W/m	90+	1987 lm/m	1411 lm/m	24V=50mm	24V=5m	10 mm
				95+	1843 lm/m	1309 lm/m				
FN-H28350-192	192pcs/m	24VDC	28.8 W/m	90+	4176 lm/m	3292 lm/m	41.7mm	2.5m	10 mm	
Long Run	LN-H2835T-80	80pcs/m	36VDC	5.18W/m	90+	580 lm/m	412 lm/m	100mm	50m	10 mm
					95+	482 lm/m	342 lm/m			
	LN-H2835T-112	112pcs/m	48VDC	11.52 W/m	90+	1336 lm/m	949 lm/m	125mm	25m	10 mm
					95+	1106 lm/m	785 lm/m			
	LN-H2835T-120	120pcs/m	24VDC	6.00 W/m	90+	588 lm/m	417 lm/m	50mm	21m	10 mm
					95+	486 lm/m	345 lm/m			
Short Cut	FN-F2835A-120	120pcs/m	12VDC	21.60 W/m	90+	1922 lm/m	1365 lm/m	16.7mm	3.5m	10 mm
					95+	1595 lm/m	1133 lm/m			

Remark: 1. The tested data based on silver finish in 4000K, CRI 90+ light source. 2. LN-H2835T-80 is good for long run, but it will show light spot.



VERTICAL SURFACE MOUNTED - U LENS SERIES

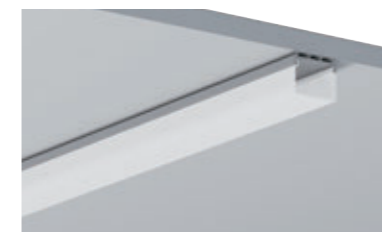
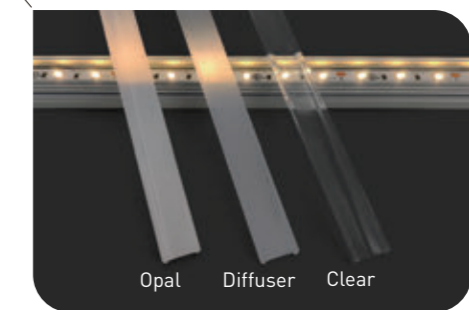
► SL2618B23



PROFILE COLORS



LENS



Installation: Surface Mounted
 Length Available: 1-3m
 Profile Color: Silver, Black Anodized, White Powder Coating
 Lens: Opal, Diffuser, Clear
 Input Cable: Endcaps, Profile Bottom, Profile Sides
 Quick Female/Male Connectors Input cable & Junction Box available

VERTICAL SURFACE MOUNTED - U LENS SERIES

► SL2618B23

ORDERING CODE

Luminaire	Finish	Lens	Vol.	Power	CRI	CCT	Input Cable	Connector	Wiring
SL2618B23	W White	D Diffuser	12 12VDC	2.40W/m	90 90+	22-2200K , 24-2400K , 25-2500K 27-2700K , 30-3000K , 35-3500K 40-4000K , 50-5000K , 65-6500K	01 - Black&Red 22AWG	A - AMP male/female	B - Through profile back
				5.04W/m					
				24 24VDC					
	B Black	O Opal	24 24VDC	5.18W/m	95 95+	22-2200K , 25-2500K , 27-2700K 30-3000K , 35-3500K , 40-4000K 50-5000K , 65-6500K	02 - Black&White 22AWG	M - Molex male/female	E - Through Endcaps
				5.76W/m					
				36 36VDC					
	S Silver	C Clear	36 36VDC	6.00W/m	TW	Tunable White - check your executive sales	03 - White PU protected 2 pin	D - DC male/female	S - Through profile side
				7.68W/m					
				48 48VDC					
				11.52W/m	D2W	Dim To Warm - check your executive sales	04 - 3Pin cable for Tunable white		
				14.40W/m					
				21.60W/m					
			24.00W/m						
			28.80W/m						

RECOMMENDED LIGHT SOURCE

Performance	Part Code	Led Qty	Input Vol.	Power	CRI	Light Source Lumen	Diffuser Lens Lumen	Cutttable length	Max Run	Pcb Width
General	FN-2835T-60	60pcs/m	12/24VDC	14.40 W/m	90+	1440 lm/m	1022 lm/m	12V=25mm 24V=100mm	12V=5m 24V=9m	10 mm
					95+	1238 lm/m	879 lm/m			
High Efficiency	FN-H2835T-64	64pcs/m	24VDC	7.68 W/m	90+	1029 lm/m	731 lm/m	125mm	5m	10 mm
					95+	968 lm/m	687 lm/m			
	FN-H28350-80	80pcs/m	24VDC	14.40W/m	90+	2275 lm/m	1615 lm/m	100mm	4m	10 mm
Long Run	LN-2835T-60	60pcs/m	24VDC	5.04 W/m	90+	499 lm/m	354 lm/m	100mm	21m	10mm
					95+	413 lm/m	293 lm/m			
				2.4 W/m	90+	230 lm/m	163 lm/m	100mm	50m	10 mm
					95+	190 lm/m	135 lm/m			
LN-2835T-56	56pcs/m	48VDC	5.76 W/m	90+	668 lm/m	474 lm/m	250mm	35m	10 mm	
				95+	553 lm/m	393 lm/m				
Short Cut	FN-F2835A-60	60pcs/m	12VDC	14.4 W/m	90+	1239 lm/m	838 lm/m	33.3mm	5.5m	10 mm
					95+	979lm/m	695 lm/m			

VERTICAL SURFACE MOUNTED - U LENS SERIES

► SL2618B23

RECOMMENDED LIGHT SOURCE

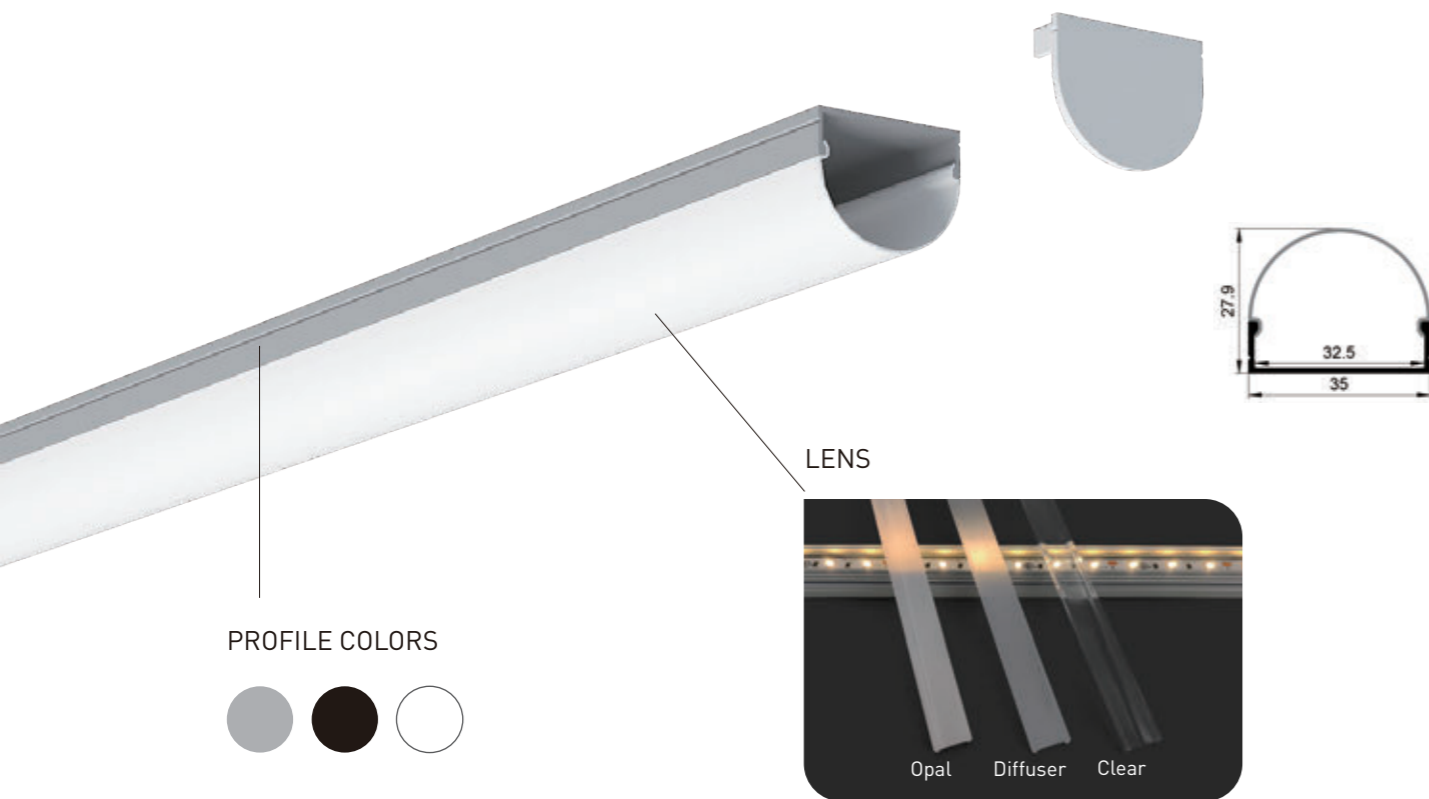
Performance	Part Code	Led Qty	Input Vol.	Power	CRI	Light Source Lumen	Diffuser Lens Lumen	Cutttable length	Max Run	Pcb Width
General	FN-2835T-120	120pcs/m	12/24VDC	14.40 W/m	90+	1512 lm/m	1074 lm/m	12V=25mm 24V=50mm	12V=5m 24V=9m	10 mm
					95+	1282 lm/m	910 lm/m			
High Efficiency	FN-H2835T-128	128pcs/m	24VDC	11.52 W/m	90+	1613 lm/m	1145 lm/m	24V=62.5mm	24V=6m	10 mm
				95+	1475 lm/m	1047 lm/m				
	FN-H28350-160	160pcs/m	24VDC	24 W/m	90+	3480 lm/m	2743 lm/m	50mm	3m	10 mm
	FN-H2835T-160	160pcs/m	24VDC	14.40 W/m	90+	1987 lm/m	1411 lm/m	24V=50mm	24V=5m	10 mm
					95+	1843 lm/m	1309 lm/m			
FN-H28350-192	192pcs/m	24VDC	28.8 W/m	90+	4176 lm/m	3292 lm/m	41.7mm	2.5m	10 mm	
Long Run	LN-H2835T-80	80pcs/m	36VDC	5.18W/m	90+	580 lm/m	412 lm/m	100mm	50m	10 mm
					95+	482 lm/m	342 lm/m			
	LN-H2835T-112	112pcs/m	48VDC	11.52 W/m	90+	1336 lm/m	949 lm/m	125mm	25m	10 mm
					95+	1106 lm/m	785 lm/m			
	LN-H2835T-120	120pcs/m	24VDC	6.00 W/m	90+	588 lm/m	417 lm/m	50mm	21m	10 mm
					95+	486 lm/m	345 lm/m			
Short Cut	FN-F2835A-120	120pcs/m	12VDC	21.60 W/m	90+	1922 lm/m	1365 lm/m	16.7mm	3.5m	10 mm
					95+	1595 lm/m	1133 lm/m			

Remark: 1. The tested data based on siliver finish in 4000K, CRI 90+ light source. 2. LN-H2835T-80 is good for long run, but it will show light spot.



VERTICAL SURFACE MOUNTED - U LENS SERIES

► SL3511B32



PROFILE COLORS



Installation: Surface Mounted
 Length Available: 1-3m
 Profile Color: Silver, Black Anodized, White Powder Coating
 Lens: Opal, Diffuser, Clear
 Input Cable: Endcaps, Profile Bottom, Profile Sides
 Quick Female/Male Connectors Input cable & Junction Box available

VERTICAL SURFACE MOUNTED - U LENS SERIES

► SL3511B32

ORDERING CODE

Luminaire	Finish	Lens	Vol.	Power	CRI	CCT	Input Cable	Connector	Wiring
SL3511B32	W White	D Diffuser	12	2.40W/m	90 90+	22-2200K , 24-2400K , 25-2500K 27-2700K , 30-3000K , 35-3500K 40-4000K , 50-5000K , 65-6500K	01 - Black&Red 22AWG	A - AMP male/female	B - Through profile back
			24	5.04W/m					
	B Black	O Opal	24	5.18W/m	95 95+	22-2200K , 25-2500K , 27-2700K 30-3000K , 35-3500K , 40-4000K 50-5000K , 65-6500K	02 - Black&White 22AWG	M - Molex male/female	E - Through Endcaps
			36	5.76W/m					
	S Silver	C Clear	36	6.00W/m	TW	Tunable White - check your executive sales	03 - White PU protected 2 pin	D - DC male/female	S - Through profile side
			48	7.68W/m					
			48	11.52W/m	D2W	Dim To Warm - check your executive sales	04 - 3Pin cable for Tunable white		
			48	14.40W/m					
			48	21.60W/m					
			48	24.00W/m					
			48	28.80W/m					
			48	28.80W/m					

RECOMMENDED LIGHT SOURCE

Performance	Part Code	Led Qty	Input Vol.	Power	CRI	Light Source Lumen	Diffuser Lens Lumen	Cutttable length	Max Run	Pcb Width
General	FN-2835T-60	60pcs/m	12/24VDC	14.40 W/m	90+	1440 lm/m	1022 lm/m	12V=25mm 24V=100mm	12V=5m 24V=9m	10 mm
					95+	1238 lm/m	879 lm/m			
High Efficiency	FN-H2835T-64	64pcs/m	24VDC	7.68 W/m	90+	1029 lm/m	731 lm/m	125mm	5m	10 mm
					95+	968 lm/m	687 lm/m			
	FN-H28350-80	80pcs/m	24VDC	14.40W/m	90+	2275 lm/m	1615 lm/m	100mm	4m	10 mm
Long Run	LN-2835T-60	60pcs/m	24VDC	5.04 W/m	90+	499 lm/m	354 lm/m	100mm	21m	10mm
					95+	413 lm/m	293 lm/m			
	LN-2835T-56	56pcs/m	48VDC	5.76 W/m	90+	230 lm/m	163 lm/m	100mm	50m	10 mm
					95+	190 lm/m	135 lm/m			
Short Cut	FN-F2835A-60	60pcs/m	12VDC	14.4 W/m	90+	668 lm/m	474 lm/m	250mm	35m	10 mm
					95+	553 lm/m	393 lm/m			
Short Cut	FN-F2835A-60	60pcs/m	12VDC	14.4 W/m	90+	1239 lm/m	838 lm/m	33.3mm	5.5m	10 mm
					95+	979lm/m	695 lm/m			

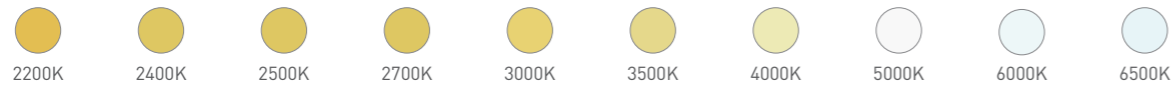
VERTICAL SURFACE MOUNTED - U LENS SERIES

► SL3511B32

RECOMMENDED LIGHT SOURCE

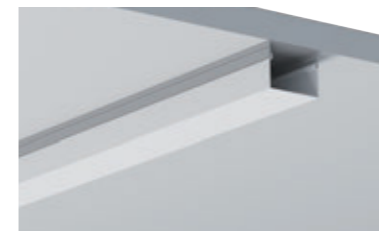
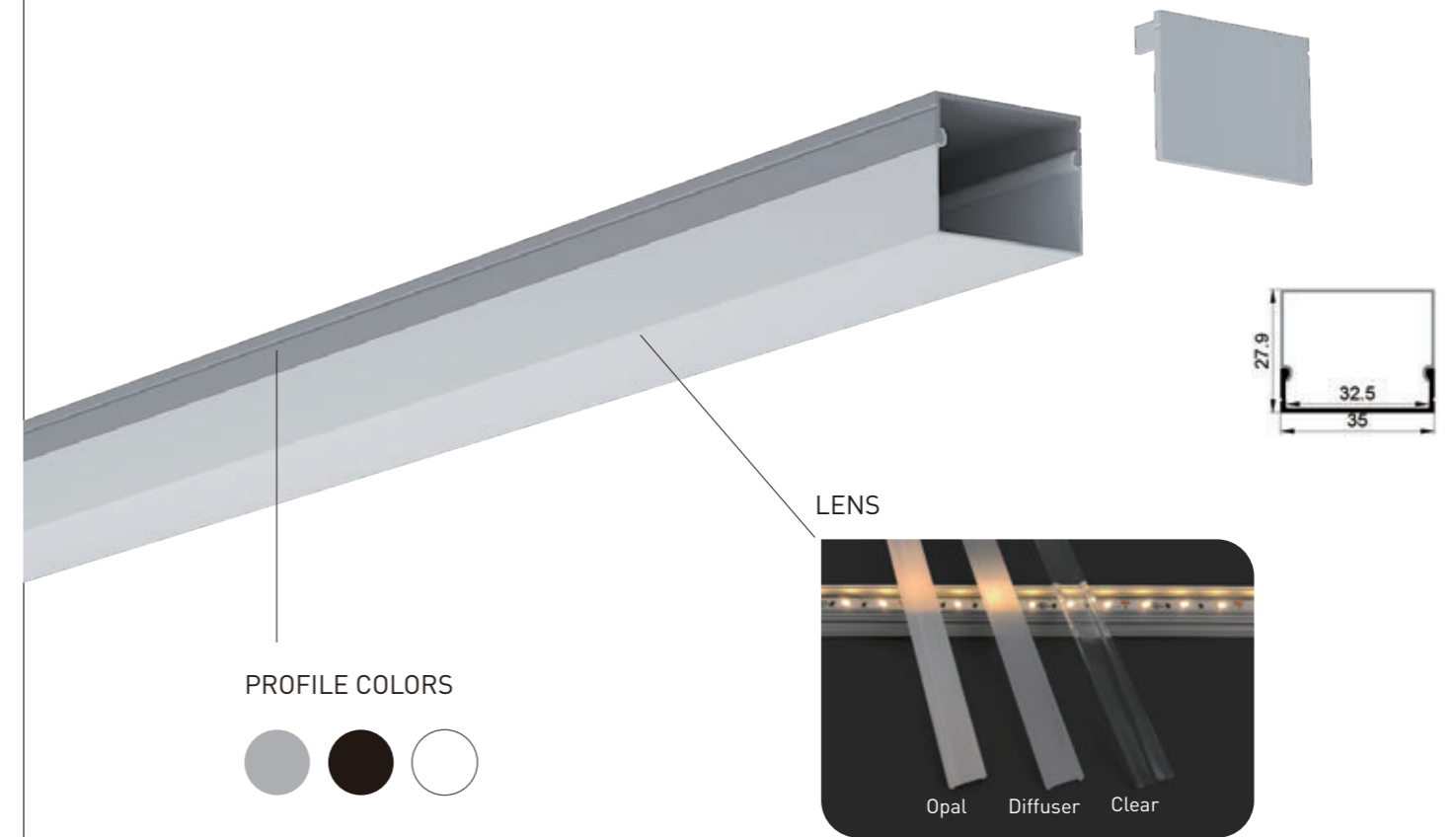
Performance	Part Code	Led Qty	Input Vol.	Power	CRI	Light Source Lumen	Diffuser Lens Lumen	Cutttable length	Max Run	Pcb Width
General	FN-2835T-120	120pcs/m	12/24VDC	14.40 W/m	90+	1512 lm/m	1074 lm/m	12V=25mm 24V=50mm	12V=5m 24V=9m	10 mm
					95+	1282 lm/m	910 lm/m			
High Efficiency	FN-H2835T-128	128pcs/m	24VDC	11.52 W/m	90+	1613 lm/m	1145 lm/m	24V=62.5mm	24V=6m	10 mm
				95+	1475 lm/m	1047 lm/m				
	FN-H28350-160	160pcs/m	24VDC	24 W/m	90+	3480 lm/m	2743 lm/m	50mm	3m	10 mm
	FN-H2835T-160	160pcs/m	24VDC	14.40 W/m	90+	1987 lm/m	1411 lm/m	24V=50mm	24V=5m	10 mm
				95+	1843 lm/m	1309 lm/m				
FN-H28350-192	192pcs/m	24VDC	28.8 W/m	90+	4176 lm/m	3292 lm/m	41.7mm	2.5m	10 mm	
Long Run	LN-H2835T-80	80pcs/m	36VDC	5.18W/m	90+	580 lm/m	412 lm/m	100mm	50m	10 mm
					95+	482 lm/m	342 lm/m			
	LN-H2835T-112	112pcs/m	48VDC	11.52 W/m	90+	1336 lm/m	949 lm/m	125mm	25m	10 mm
					95+	1106 lm/m	785 lm/m			
	LN-H2835T-120	120pcs/m	24VDC	6.00 W/m	90+	588 lm/m	417 lm/m	50mm	21m	10 mm
					95+	486 lm/m	345 lm/m			
Short Cut	FN-F2835A-120	120pcs/m	12VDC	21.60 W/m	90+	1922 lm/m	1365 lm/m	16.7mm	3.5m	10 mm
					95+	1595 lm/m	1133 lm/m			

Remark: 1. The tested data based on silver finish in 4000K, CRI 90+ light source. 2. LN-H2835T-80 is good for long run, but it will show light spot.



VERTICAL SURFACE MOUNTED - U LENS SERIES

► SL3511C32



Installation: Surface Mounted
 Length Available: 1-3m
 Profile Color: Silver, Black Anodized, White Powder Coating
 Lens: Opal, Diffuser, Clear
 Input Cable: Endcaps, Profile Bottom, Profile Sides
 Quick Female/Male Connectors Input cable & Junction Box available

VERTICAL SURFACE MOUNTED - U LENS SERIES

► SL3511C32

ORDERING CODE

Luminaire	Finish	Lens	Vol.	Power	CRI	CCT	Input Cable	Connector	Wiring	
SL3511C32	W White	D Diffuser	12 12VDC	2.40W/m	90 90+	22-2200K , 24-2400K , 25-2500K 27-2700K , 30-3000K , 35-3500K 40-4000K , 50-5000K , 65-6500K	01 - Black&Red 22AWG	A - AMP male/female	B - Through profile back	
			24 24VDC	5.04W/m						
	B Black	O Opal	36 36VDC	5.18W/m	95 95+	22-2200K , 25-2500K , 27-2700K 30-3000K , 35-3500K , 40-4000K 50-5000K , 65-6500K	02 - Black&White 22AWG	M - Molex male/female	E - Through Endcaps	
			48 48VDC	5.76W/m						
	S Silver	C Clear		6.00W/m	TW	Tunable White - check your executive sales	03 - White PU protected 2 pin		D - DC male/female	S - Through profile side
				7.68W/m						
				11.52W/m						
				D2W	Dim To Warm - check your executive sales	04 - 3Pin cable for Tunable white				

RECOMMENDED LIGHT SOURCE

Performance	Part Code	Led Qty	Input Vol.	Power	CRI	Light Source Lumen	Diffuser Lens Lumen	Cutttable length	Max Run	Pcb Width
General	FN-2835T-60	60pcs/m	12/24VDC	14.40 W/m	90+	1440 lm/m	1022 lm/m	12V=25mm 24V=100mm	12V=5m 24V=9m	10 mm
					95+	1238 lm/m	879 lm/m			
High Efficiency	FN-H2835T-64	64pcs/m	24VDC	7.68 W/m	90+	1029 lm/m	731 lm/m	125mm	5m	10 mm
					95+	968 lm/m	687 lm/m			
	FN-H28350-80	80pcs/m	24VDC	14.40W/m	90+	2275 lm/m	1615 lm/m	100mm	4m	10 mm
Long Run	LN-2835T-60	60pcs/m	24VDC	5.04 W/m	90+	499 lm/m	354 lm/m	100mm	21m	10mm
					95+	413 lm/m	293 lm/m			
				2.4 W/m	90+	230 lm/m	163 lm/m	100mm	50mm	10 mm
					95+	190 lm/m	135 lm/m			
	LN-2835T-56	56pcs/m	48VDC	5.76 W/m	90+	668 lm/m	474 lm/m	250mm	35mm	10 mm
					95+	553 lm/m	393 lm/m			
Short Cut	FN-F2835A-60	60pcs/m	12VDC	14.4 W/m	90+	1239 lm/m	838 lm/m	33.3mm	5.5mm	10 mm
					95+	979lm/m	695 lm/m			

VERTICAL SURFACE MOUNTED - U LENS SERIES

► SL3511C32

RECOMMENDED LIGHT SOURCE

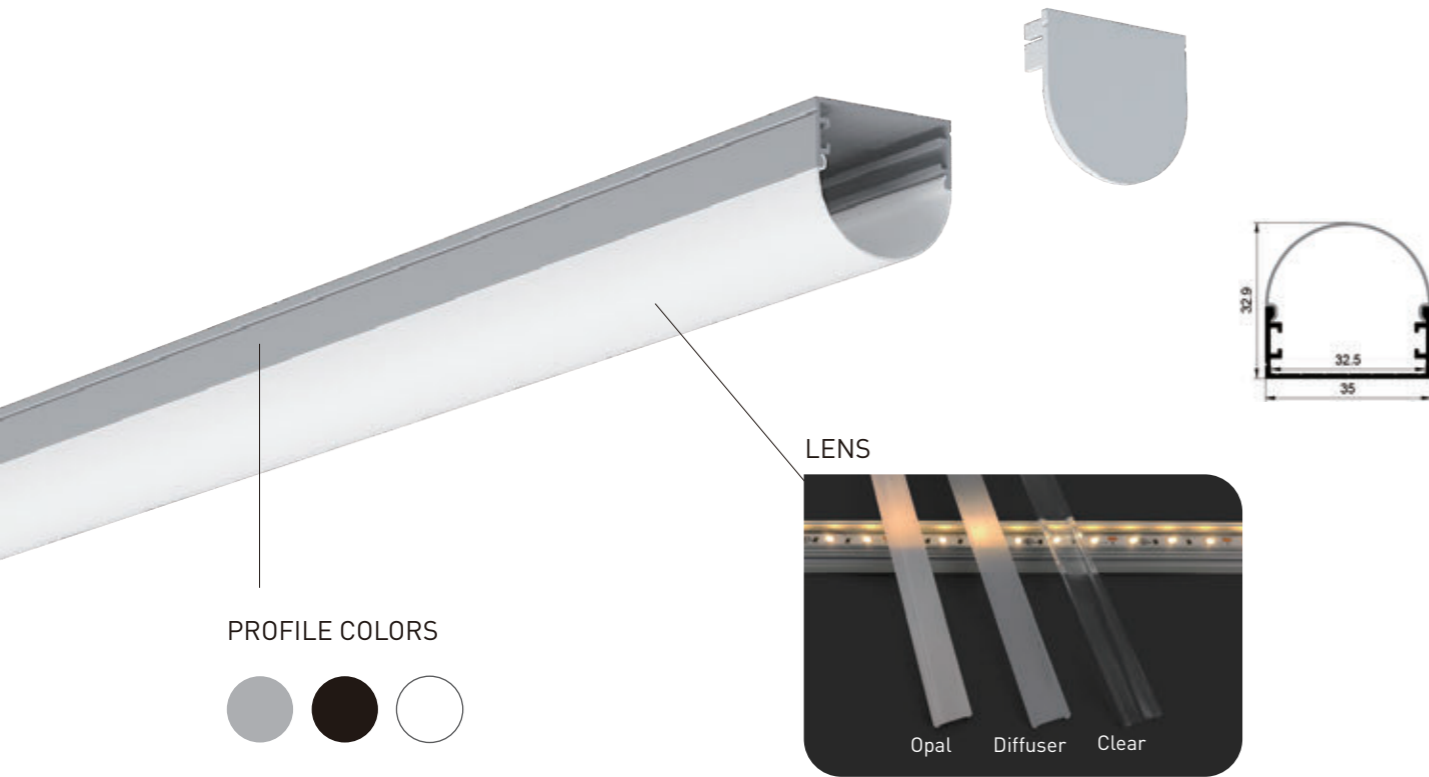
Performance	Part Code	Led Qty	Input Vol.	Power	CRI	Light Source Lumen	Diffuser Lens Lumen	Cutttable length	Max Run	Pcb Width
General	FN-2835T-120	120pcs/m	12/24VDC	14.40 W/m	90+	1512 lm/m	1074 lm/m	12V=25mm 24V=50mm	12V=5m 24V=9m	10 mm
					95+	1282 lm/m	910 lm/m			
High Efficiency	FN-H2835T-128	128pcs/m	24VDC	11.52 W/m	90+	1613 lm/m	1145 lm/m	24V=62.5mm	24V=6m	10 mm
				95+	1475 lm/m	1047 lm/m				
	FN-H28350-160	160pcs/m	24VDC	24 W/m	90+	3480 lm/m	2743 lm/m	50mm	3m	10 mm
	FN-H2835T-160	160pcs/m	24VDC	14.40 W/m	90+	1987 lm/m	1411 lm/m	24V=50mm	24V=5mm	10 mm
			95+	1843 lm/m	1309 lm/m					
Long Run	LN-H2835T-80	80pcs/m	36VDC	5.18W/m	90+	580 lm/m	412 lm/m	100mm	50mm	10 mm
				95+	482 lm/m	342 lm/m				
	LN-H2835T-112	112pcs/m	48VDC	11.52 W/m	90+	1336 lm/m	949 lm/m	125mm	25mm	10 mm
				95+	1106 lm/m	785 lm/m				
	LN-H2835T-120	120pcs/m	24VDC	6.00 W/m	90+	588 lm/m	417 lm/m	50mm	21mm	10 mm
				95+	486 lm/m	345 lm/m				
Short Cut	FN-F2835A-120	120pcs/m	12VDC	21.60 W/m	90+	1922 lm/m	1365 lm/m	16.7mm	3.5mm	10 mm
					95+	1595 lm/m	1133 lm/m			

Remark: 1. The tested data based on silver finish in 4000K, CRI 90+ light source. 2. LN-H2835T-80 is good for long run, but it will show light spot.



VERTICAL SURFACE MOUNTED - U LENS SERIES

► SL3515B32



PROFILE COLORS



Installation: Surface Mounted
 Length Available: 1-3m
 Profile Color: Silver, Black Anodized, White Powder Coating
 Lens: Opal, Diffuser, Clear
 Input Cable: Endcaps, Profile Bottom, Profile Sides
 Quick Female/Male Connectors Input cable & Junction Box available

VERTICAL SURFACE MOUNTED - U LENS SERIES

► SL3515B32

ORDERING CODE

Luminaire	Finish	Lens	Vol.	Power	CRI	CCT	Input Cable	Connector	Wiring
SL3515B32	W White	D Diffuser	12 12VDC	2.40W/m	90 90+	22-2200K , 24-2400K , 25-2500K 27-2700K , 30-3000K , 35-3500K 40-4000K , 50-5000K , 65-6500K	01 - Black&Red 22AWG	A - AMP male/female	B - Through profile back
				5.04W/m					
				5.18W/m					
	B Black	O Opal	24 24VDC	5.18W/m	95 95+	22-2200K , 25-2500K , 27-2700K 30-3000K , 35-3500K , 40-4000K 50-5000K , 65-6500K	02 - Black&White 22AWG	M - Molex male/female	E - Through Endcaps
				5.76W/m					
				6.00W/m					
	S Silver	C Clear	36 36VDC	5.76W/m	TW	Tunable White - check your executive sales	03 - White PU protected 2 pin	D - DC male/female	S - Through profile side
				7.68W/m					
				11.52W/m					
			48 48VDC	14.40W/m	D2W	Dim To Warm - check your executive sales	04 - 3Pin cable for Tunable white		
				21.60W/m					
				24.00W/m					
			28.80W/m						

RECOMMENDED LIGHT SOURCE

Performance	Part Code	Led Qty	Input Vol.	Power	CRI	Light Source Lumen	Diffuser Lens Lumen	Cutttable length	Max Run	Pcb Width	
General	FN-2835T-60	60pcs/m	12/24VDC	14.40 W/m	90+	1440 lm/m	1022 lm/m	12V=25mm 24V=100mm	12V=5m 24V=9m	10 mm	
					95+	1238 lm/m	879 lm/m				
High Efficiency	FN-H2835T-64	64pcs/m	24VDC	7.68 W/m	90+	1029 lm/m	731 lm/m	125mm	5m	10 mm	
					95+	968 lm/m	687 lm/m				
	FN-H28350-80	80pcs/m	24VDC	14.40W/m	90+	2275 lm/m	1615 lm/m	100mm	4m	10 mm	
Long Run	LN-2835T-60	60pcs/m	24VDC	5.04 W/m	90+	499 lm/m	354 lm/m	100mm	21m	10mm	
					95+	413 lm/m	293 lm/m				
					2.4 W/m	90+	230 lm/m	163 lm/m	100mm	50mm	10 mm
						95+	190 lm/m	135 lm/m			
	LN-2835T-56	56pcs/m	48VDC	5.76 W/m	90+	668 lm/m	474 lm/m	250mm	35mm	10 mm	
					95+	553 lm/m	393 lm/m				
Short Cut	FN-F2835A-60	60pcs/m	12VDC	14.4 W/m	90+	1239 lm/m	838 lm/m	33.3mm	5.5mm	10 mm	
					95+	979lm/m	695 lm/m				

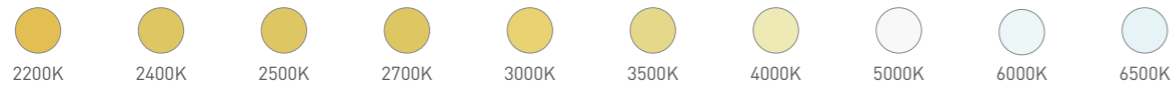
VERTICAL SURFACE MOUNTED - U LENS SERIES

► SL3515B32

RECOMMENDED LIGHT SOURCE

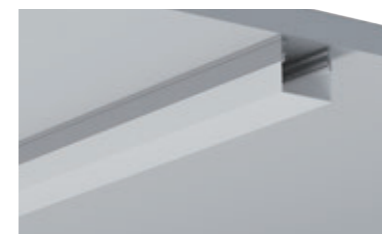
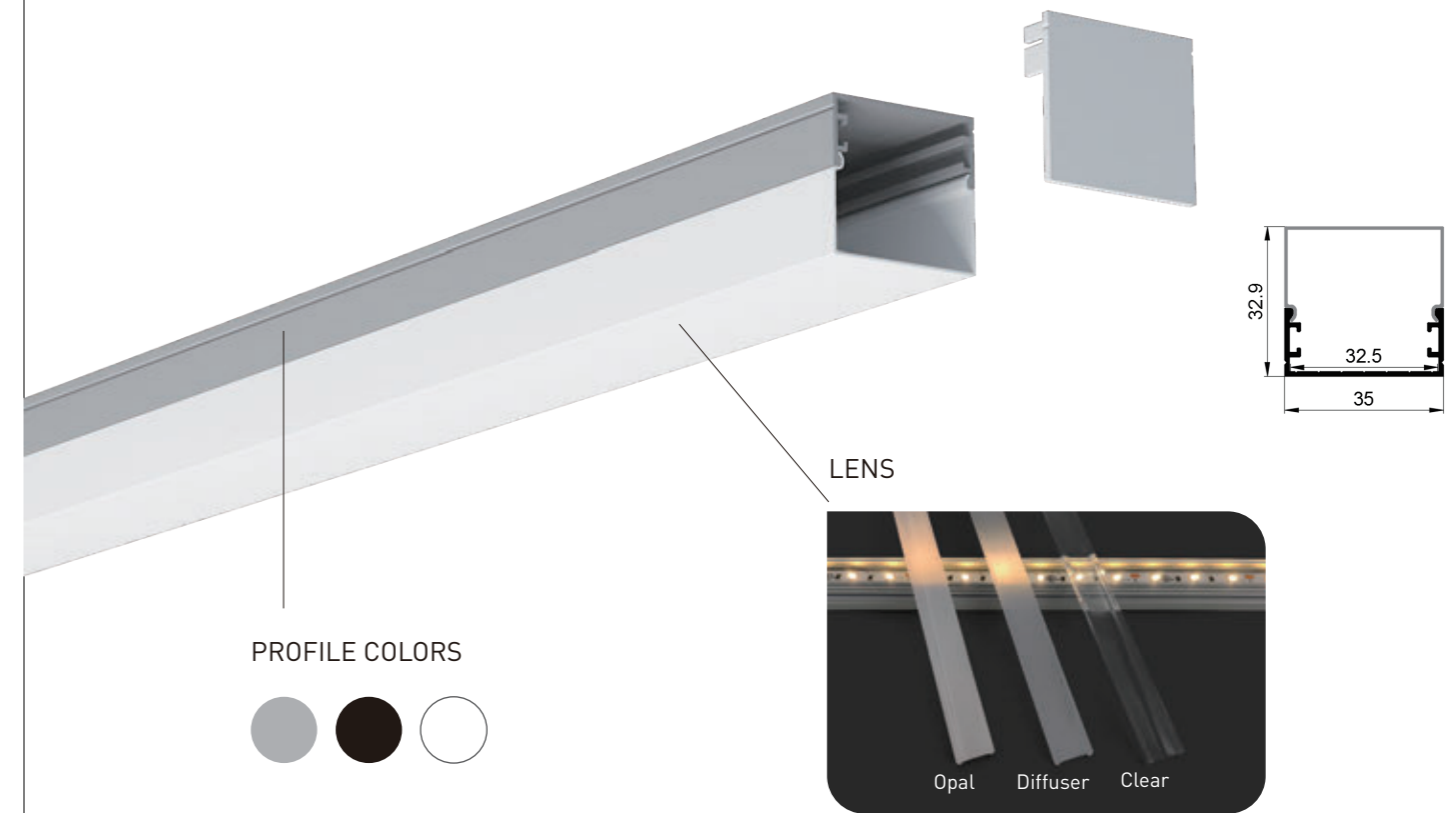
Performance	Part Code	Led Qty	Input Vol.	Power	CRI	Light Source Lumen	Diffuser Lens Lumen	Cutttable length	Max Run	Pcb Width
General	FN-2835T-120	120pcs/m	12/24VDC	14.40 W/m	90+	1512 lm/m	1074 lm/m	12V=25mm	12V=5m	10 mm
					95+	1282 lm/m	910 lm/m	24V=50mm	24V=9m	
High Efficiency	FN-H2835T-128	128pcs/m	24VDC	11.52 W/m	90+	1613 lm/m	1145 lm/m	24V=62.5mm	24V=6m	10 mm
	FN-H28350-160	160pcs/m	24VDC	24 W/m	90+	3480 lm/m	2743 lm/m	50mm	3m	10 mm
					95+	1475 lm/m	1047 lm/m			
	FN-H2835T-160	160pcs/m	24VDC	14.40 W/m	90+	1987 lm/m	1411 lm/m	24V=50mm	24V=5m	10 mm
					95+	1843 lm/m	1309 lm/m			
FN-H28350-192	192pcs/m	24VDC	28.8 W/m	90+	4176 lm/m	3292 lm/m	41.7mm	2.5m	10 mm	
Long Run	LN-H2835T-80	80pcs/m	36VDC	5.18W/m	90+	580 lm/m	412 lm/m	100mm	50m	10 mm
					95+	482 lm/m	342 lm/m			
	LN-H2835T-112	112pcs/m	48VDC	11.52 W/m	90+	1336 lm/m	949 lm/m	125mm	25m	10 mm
					95+	1106 lm/m	785 lm/m			
	LN-H2835T-120	120pcs/m	24VDC	6.00 W/m	90+	588 lm/m	417 lm/m	50mm	21m	10 mm
					95+	486 lm/m	345 lm/m			
Short Cut	FN-F2835A-120	120pcs/m	12VDC	21.60 W/m	90+	1922 lm/m	1365 lm/m	16.7mm	3.5m	10 mm
					95+	1595 lm/m	1133 lm/m			

Remark: 1. The tested data based on silver finish in 4000K, CRI 90+ light source. 2. LN-H2835T-80 is good for long run, but it will show light spot.



VERTICAL SURFACE MOUNTED - U LENS SERIES

► SL3515C32



Installation: Surface Mounted
 Length Available: 1-3m
 Profile Color: Silver, Black Anodized, White Powder Coating
 Lens: Opal, Diffuser, Clear
 Input Cable: Endcaps, Profile Bottom, Profile Sides
 Quick Female/Male Connectors Input cable & Junction Box available

VERTICAL SURFACE MOUNTED - U LENS SERIES

► SL3515C32

ORDERING CODE

Luminaire	Finish	Lens	Vol.	Power	CRI	CCT	Input Cable	Connector	Wiring
SL3515C32	W White	D Diffuser	12 12VDC	2.40W/m	90 90+	22-2200K , 24-2400K , 25-2500K 27-2700K , 30-3000K , 35-3500K 40-4000K , 50-5000K , 65-6500K	01 - Black&Red 22AWG	A - AMP male/female	B - Through profile back
				5.04W/m					
				24 24VDC					
	B Black	O Opal	24 24VDC	5.18W/m	95 95+	22-2200K , 25-2500K , 27-2700K 30-3000K , 35-3500K , 40-4000K 50-5000K , 65-6500K	02 - Black&White 22AWG	M - Molex male/female	E - Through Endcaps
				5.76W/m					
				36 36VDC					
	S Silver	C Clear	36 36VDC	6.00W/m	TW	Tunable White - check your executive sales	03 - White PU protected 2 pin	D - DC male/female	S - Through profile side
				7.68W/m					
				48 48VDC					
				11.52W/m					
				14.40W/m					
				21.60W/m					
24.00W/m	D2W	Dim To Warm - check your executive sales	04 - 3Pin cable for Tunable white						
28.80W/m									

RECOMMENDED LIGHT SOURCE

Performance	Part Code	Led Qty	Input Vol.	Power	CRI	Light Source Lumen	Diffuser Lens Lumen	Cutttable length	Max Run	Pcb Width
General	FN-2835T-60	60pcs/m	12/24VDC	14.40 W/m	90+	1440 lm/m	1022 lm/m	12V=25mm 24V=100mm	12V=5m 24V=9m	10 mm
					95+	1238 lm/m	879 lm/m			
High Efficiency	FN-H2835T-64	64pcs/m	24VDC	7.68 W/m	90+	1029 lm/m	731 lm/m	125mm	5m	10 mm
					95+	968 lm/m	687 lm/m			
	FN-H28350-80	80pcs/m	24VDC	14.40W/m	90+	2275 lm/m	1615 lm/m	100mm	4m	10 mm
Long Run	LN-2835T-60	60pcs/m	24VDC	5.04 W/m	90+	499 lm/m	354 lm/m	100mm	21m	10mm
					95+	413 lm/m	293 lm/m			
				2.4 W/m	90+	230 lm/m	163 lm/m	100mm	50m	10 mm
					95+	190 lm/m	135 lm/m			
LN-2835T-56	56pcs/m	48VDC	5.76 W/m	90+	668 lm/m	474 lm/m	250mm	35m	10 mm	
				95+	553 lm/m	393 lm/m				
Short Cut	FN-F2835A-60	60pcs/m	12VDC	14.4 W/m	90+	1239 lm/m	838 lm/m	33.3mm	5.5m	10 mm
					95+	979lm/m	695 lm/m			

VERTICAL SURFACE MOUNTED - U LENS SERIES

► SL3515C32

RECOMMENDED LIGHT SOURCE

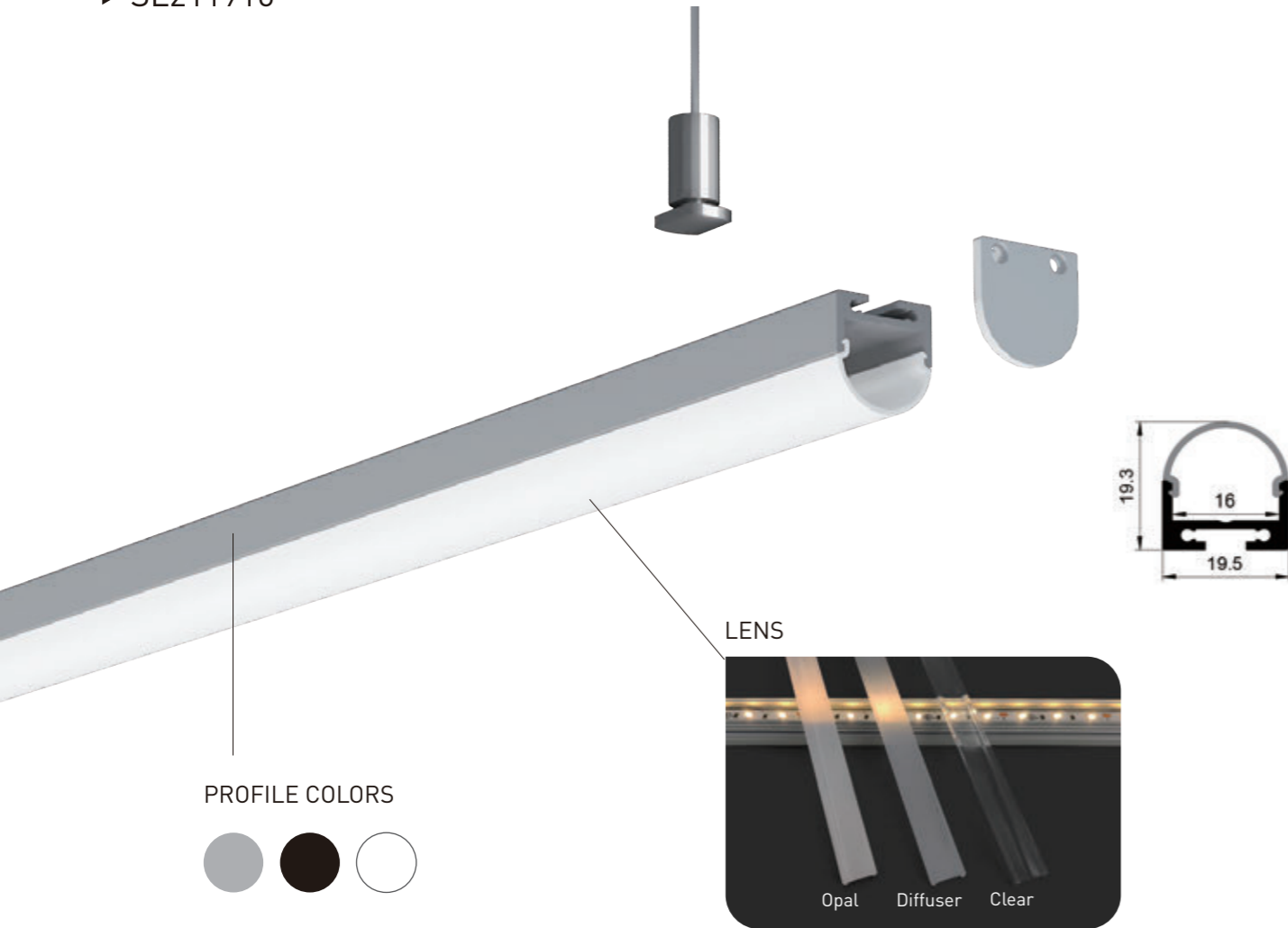
Performance	Part Code	Led Qty	Input Vol.	Power	CRI	Light Source Lumen	Diffuser Lens Lumen	Cutttable length	Max Run	Pcb Width
General	FN-2835T-120	120pcs/m	12/24VDC	14.40 W/m	90+	1512 lm/m	1074 lm/m	12V=25mm 24V=50mm	12V=5m 24V=9m	10 mm
					95+	1282 lm/m	910 lm/m			
High Efficiency	FN-H2835T-128	128pcs/m	24VDC	11.52 W/m	90+	1613 lm/m	1145 lm/m	24V=62.5mm	24V=6m	10 mm
				95+	1475 lm/m	1047 lm/m				
	FN-H28350-160	160pcs/m	24VDC	24 W/m	90+	3480 lm/m	2743 lm/m	50mm	3m	10 mm
	FN-H2835T-160	160pcs/m	24VDC	14.40 W/m	90+	1987 lm/m	1411 lm/m	24V=50mm	24V=5m	10 mm
					95+	1843 lm/m	1309 lm/m			
FN-H28350-192	192pcs/m	24VDC	28.8 W/m	90+	4176 lm/m	3292 lm/m	41.7mm	2.5m	10 mm	
Long Run	LN-H2835T-80	80pcs/m	36VDC	5.18W/m	90+	580 lm/m	412 lm/m	100mm	50m	10 mm
					95+	482 lm/m	342 lm/m			
	LN-H2835T-112	112pcs/m	48VDC	11.52 W/m	90+	1336 lm/m	949 lm/m	125mm	25m	10 mm
					95+	1106 lm/m	785 lm/m			
	LN-H2835T-120	120pcs/m	24VDC	6.00 W/m	90+	588 lm/m	417 lm/m	50mm	21m	10 mm
					95+	486 lm/m	345 lm/m			
Short Cut	FN-F2835A-120	120pcs/m	12VDC	21.60 W/m	90+	1922 lm/m	1365 lm/m	16.7mm	3.5m	10 mm
					95+	1595 lm/m	1133 lm/m			

Remark: 1. The tested data based on siliver finish in 4000K, CRI 90+ light source. 2. LN-H2835T-80 is good for long run, but it will show light spot.



PENDANT SERIES

► SL211916



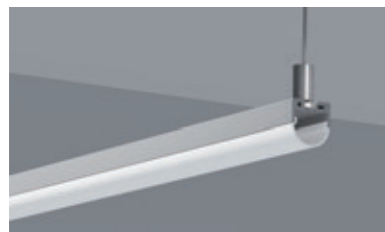
PROFILE COLORS



ACCESSORIES



Pendant Kit



Installation: Surface Mounted
 Length Available: 1-3m
 Profile Color: Silver, Black Anodized, White Powder Coating
 Lens: Opal, Diffuser, Clear
 Input Cable: Endcaps, Profile Bottom, Profile Sides
 Quick Female/Male Connectors Input cable & Junction Box available

PENDANT SERIES

► SL211916

ORDERING CODE

Luminaire	Finish	Lens	Vol.	Power	CRI	CCT	Input Cable	Connector	Wiring
SL211916	W White	D Diffuser	12 12VDC	5.18W/m	90	22-2200K , 24-2400K , 25-2500K 27-2700K , 30-3000K , 35-3500K 40-4000K , 50-5000K , 65-6500K	01 - Black&Red 22AWG	A - AMP male/female	B - Through profile back
	B Black	O Opal	24 24VDC	6.00W/m	90+				
	S Silver	C Clear	36 36VDC	11.52W/m	95	22-2200K , 25-2500K , 27-2700K 30-3000K , 35-3500K , 40-4000K 50-5000K , 65-6500K	02 - Black&White 22AWG	M - Molex male/female	E - Through Endcaps
			48 48VDC	14.40W/m	95+				
			21.60W/m		TW	Tunable White - check your executive sales	03 - White PU protected 2 pin		S - Through profile side
			24.00W/m				04 - 3Pin cable for Tunable white		
			28.80W/m		D2W	Dim To Warm - check your executive sales			

RECOMMENDED LIGHT SOURCE

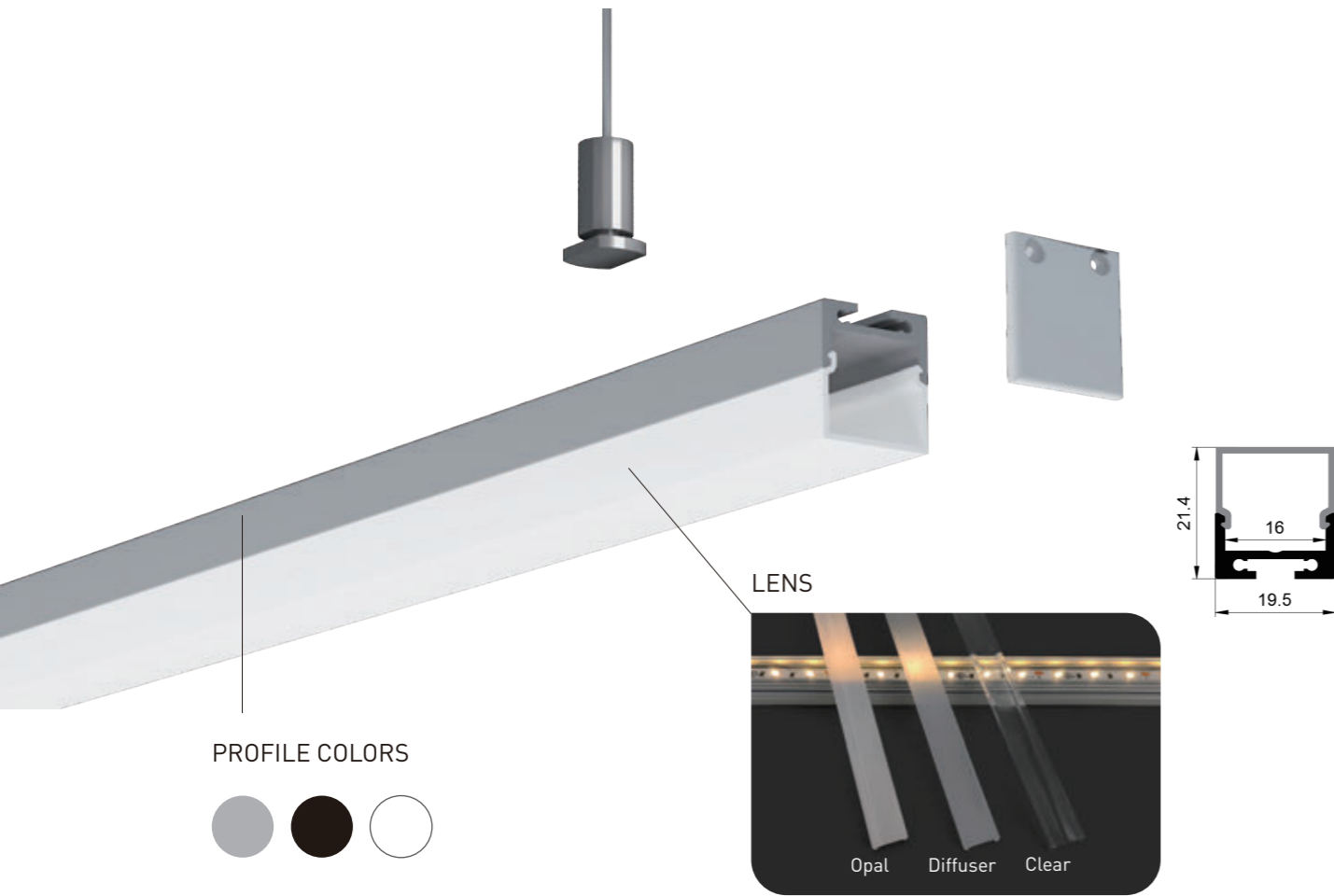
Performance	Part Code	Led Qty	Input Vol.	Power	CRI	Light Source Lumen	Diffuser Lens Lumen	Cuttable length	Max Run	Pcb Width
General	FN-2835T-120	120pcs/m	12/24VDC	14.40 W/m	90+	1512 lm/m	1074 lm/m	12V=25mm 24V=50mm	12V=5m 24V=9m	10 mm
					95+	1282 lm/m	910 lm/m			
High Efficiency	FN-H2835T-128	128pcs/m	24VDC	11.52 W/m	90+	1613 lm/m	1145 lm/m	24V=62.5mm	24V=6m	10 mm
					95+	1475 lm/m	1047 lm/m			
	FN-H28350-160	160pcs/m	24VDC	24 W/m	90+	3480 lm/m	2743 lm/m	50mm	3m	10 mm
					95+	1987 lm/m	1411 lm/m			
FN-H2835T-160	160pcs/m	24VDC	14.40 W/m	90+	1843 lm/m	1309 lm/m	24V=50mm	24V=5m	10 mm	
				95+	1843 lm/m	1309 lm/m				
FN-H28350-192	192pcs/m	24VDC	28.8 W/m	90+	4176 lm/m	3292 lm/m	41.7mm	2.5m	10 mm	
				95+	4176 lm/m	3292 lm/m				
Long Run	LN-H2835T-80	80pcs/m	36VDC	5.18W/m	90+	580 lm/m	412 lm/m	100mm	50m	10 mm
					95+	482 lm/m	342 lm/m			
	LN-H2835T-112	112pcs/m	48VDC	11.52 W/m	90+	1336 lm/m	949 lm/m	125mm	25m	10 mm
95+					1106 lm/m	785 lm/m				
LN-H2835T-120	120pcs/m	24VDC	6.00 W/m	90+	588 lm/m	417 lm/m	50mm	21m	10 mm	
				95+	486 lm/m	345 lm/m				
Short Cut	FN-F2835A-120	120pcs/m	12VDC	21.60 W/m	90+	1922 lm/m	1365 lm/m	16.7mm	3.5m	10 mm
					95+	1595 lm/m	1133 lm/m			

Remark: 1. The tested data based on silver finish in 4000K, CRI 90+ light source. 2. LN-H2835T-80 is good for long run, but it will show light spot.



PENDANT SERIES

► SL2119B16



PROFILE COLORS



ACCESSORIES



Pendant Kit



Installation: Surface Mounted
 Length Available: 1-3m
 Profile Color: Silver, Black Anodized, White Powder Coating
 Lens: Opal, Diffuser, Clear
 Input Cable: Endcaps, Profile Bottom, Profile Sides
 Quick Female/Male Connectors Input cable & Junction Box available

PENDANT SERIES

► SL2119B16

ORDERING CODE

Luminaire	Finish	Lens	Vol.	Power	CRI	CCT	Input Cable	Connector	Wiring
SL2119B16	W White	D Diffuser	12 12VDC	5.18W/m	90 90+	22-2200K , 24-2400K , 25-2500K 27-2700K , 30-3000K , 35-3500K 40-4000K , 50-5000K , 65-6500K	01 - Black&Red 22AWG 02 - Black&White 22AWG 03 - White PU protected 2 pin 04 - 3Pin cable for Tunable white	A - AMP male/female M - Molex male/female D - DC male/female	B - Through profile back E - Through Endcaps S - Through profile side
	B Black	O Opal	24 24VDC	11.52W/m					
	S Silver	C Clear	36 36VDC	14.40W/m					
			48 48VDC	21.60W/m 24.00W/m 28.80W/m					
					TW	Tunable White - check your executive sales			
					D2W	Dim To Warm - check your executive sales			

RECOMMENDED LIGHT SOURCE

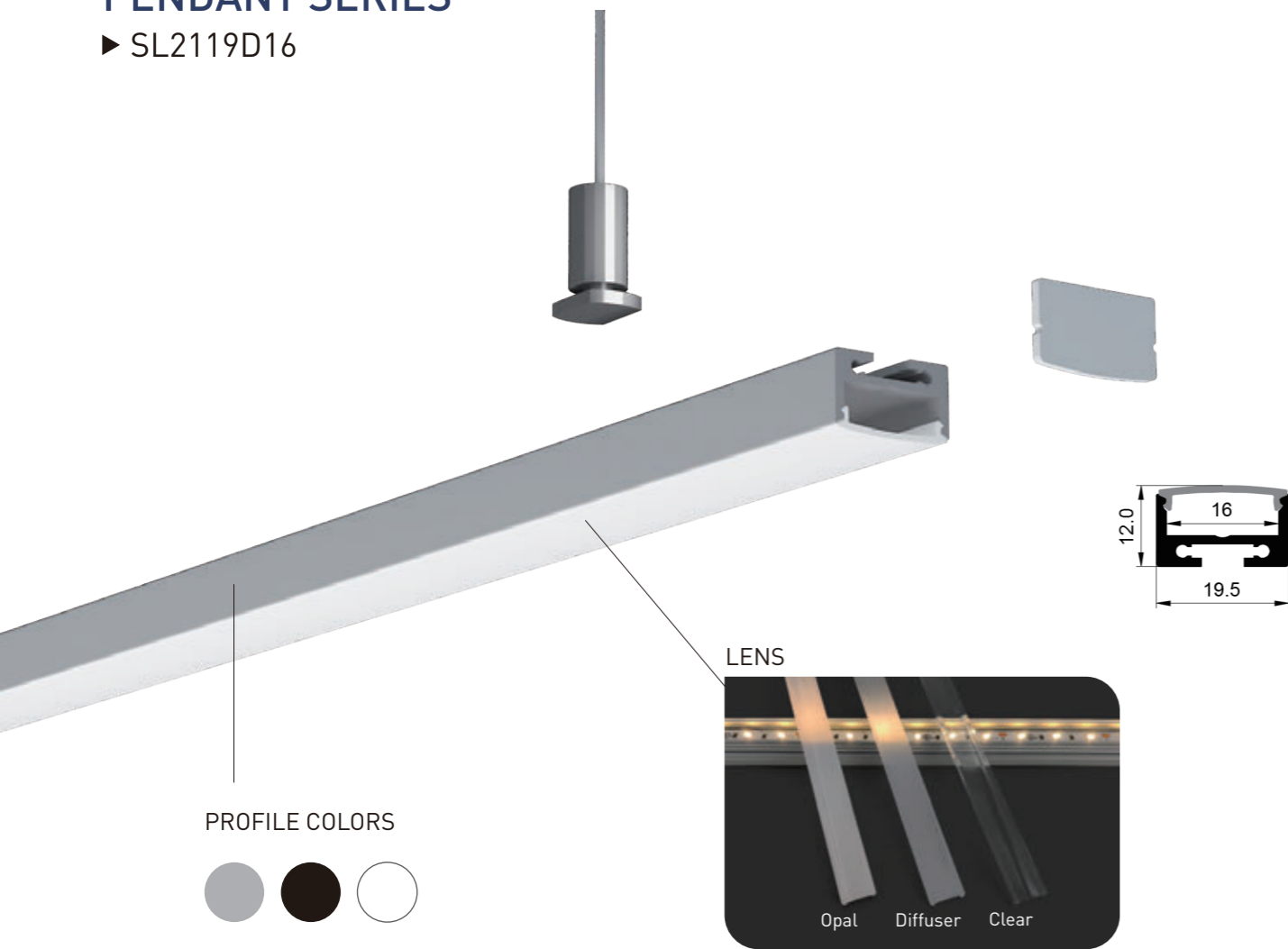
Performance	Part Code	Led Qty	Input Vol.	Power	CRI	Light Source Lumen	Diffuser Lens Lumen	Cuttable length	Max Run	Pcb Width
General	FN-2835T-120	120pcs/m	12/24VDC	14.40 W/m	90+	1512 lm/m	1074 lm/m	12V=25mm 24V=50mm	12V=5m 24V=9m	10 mm
					95+	1282 lm/m	910 lm/m			
High Efficiency	FN-H2835T-128	128pcs/m	24VDC	11.52 W/m	90+	1613 lm/m	1145 lm/m	24V=62.5mm	24V=6m	10 mm
					95+	1475 lm/m	1047 lm/m			
	FN-H28350-160	160pcs/m	24VDC	24 W/m	90+	3480 lm/m	2743 lm/m	50mm	3m	10 mm
					95+	1987 lm/m	1411 lm/m			
						1843 lm/m	1309 lm/m			
FN-H28350-192	192pcs/m	24VDC	28.8 W/m	90+	4176 lm/m	3292 lm/m	41.7mm	2.5m	10 mm	
Long Run	LN-H2835T-80	80pcs/m	36VDC	5.18W/m	90+	580 lm/m	412 lm/m	100mm	50m	10 mm
					95+	482 lm/m	342 lm/m			
	LN-H2835T-112	112pcs/m	48VDC	11.52 W/m	90+	1336 lm/m	949 lm/m	125mm	25m	10 mm
					95+	1106 lm/m	785 lm/m			
	LN-H2835T-120	120pcs/m	24VDC	6.00 W/m	90+	588 lm/m	417 lm/m	50mm	21m	10 mm
					95+	486 lm/m	345 lm/m			
Short Cut	FN-F2835A-120	120pcs/m	12VDC	21.60 W/m	90+	1922 lm/m	1365 lm/m	16.7mm	3.5m	10 mm
					95+	1595 lm/m	1133 lm/m			

Remark: 1. The tested data based on silver finish in 4000K, CRI 90+ light source. 2. LN-H2835T-80 is good for long run, but it will show light spot.



PENDANT SERIES

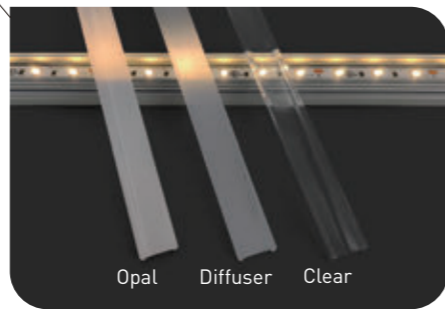
► SL2119D16



PROFILE COLORS



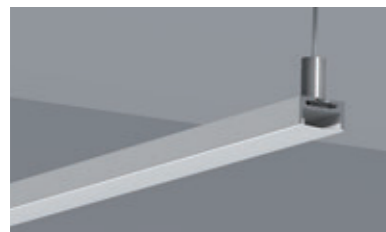
LENS



ACCESSORIES



Pendant Kit



Installation: Surface Mounted
 Length Available: 1-3m
 Profile Color: Silver, Black Anodized, White Powder Coating
 Lens: Opal, Diffuser, Clear
 Input Cable: Endcaps, Profile Bottom, Profile Sides
 Quick Female/Male Connectors Input cable & Junction Box available

PENDANT SERIES

► SL2119D16

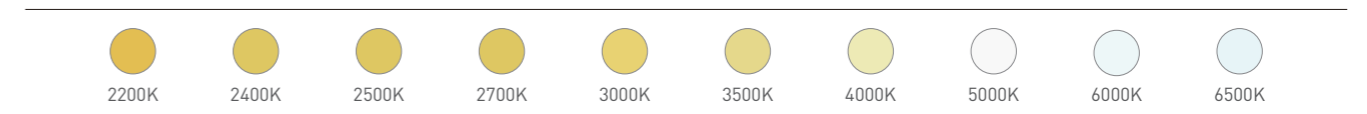
ORDERING CODE

Luminaire	Finish	Lens	Vol.	Power	CRI	CCT	Input Cable	Connector	Wiring
SL2119D16	W White	D Diffuser	24 24VDC	16.42W/m	90 90+	22-2200K , 24-2400K 25-2500K , 27-2700K 30-3000K , 35-3500K 40-4000K , 50-5000K 65-6500K	01 - Black&Red 22AWG	A - AMP male/female	B - Through profile back
	B Black	O Opal					02 - Black&White 22AWG	M - Molex male/female	E - Through Endcaps
	S Silver	C Clear				TW Tunable White - check your executive sales	03 - White PU protected 2 pin	D - DC male/female	S - Through profile side
						D2W Dim To Warm - check your executive sales	04 - 3Pin cable for Tunable white		

RECOMMENDED LIGHT SOURCE

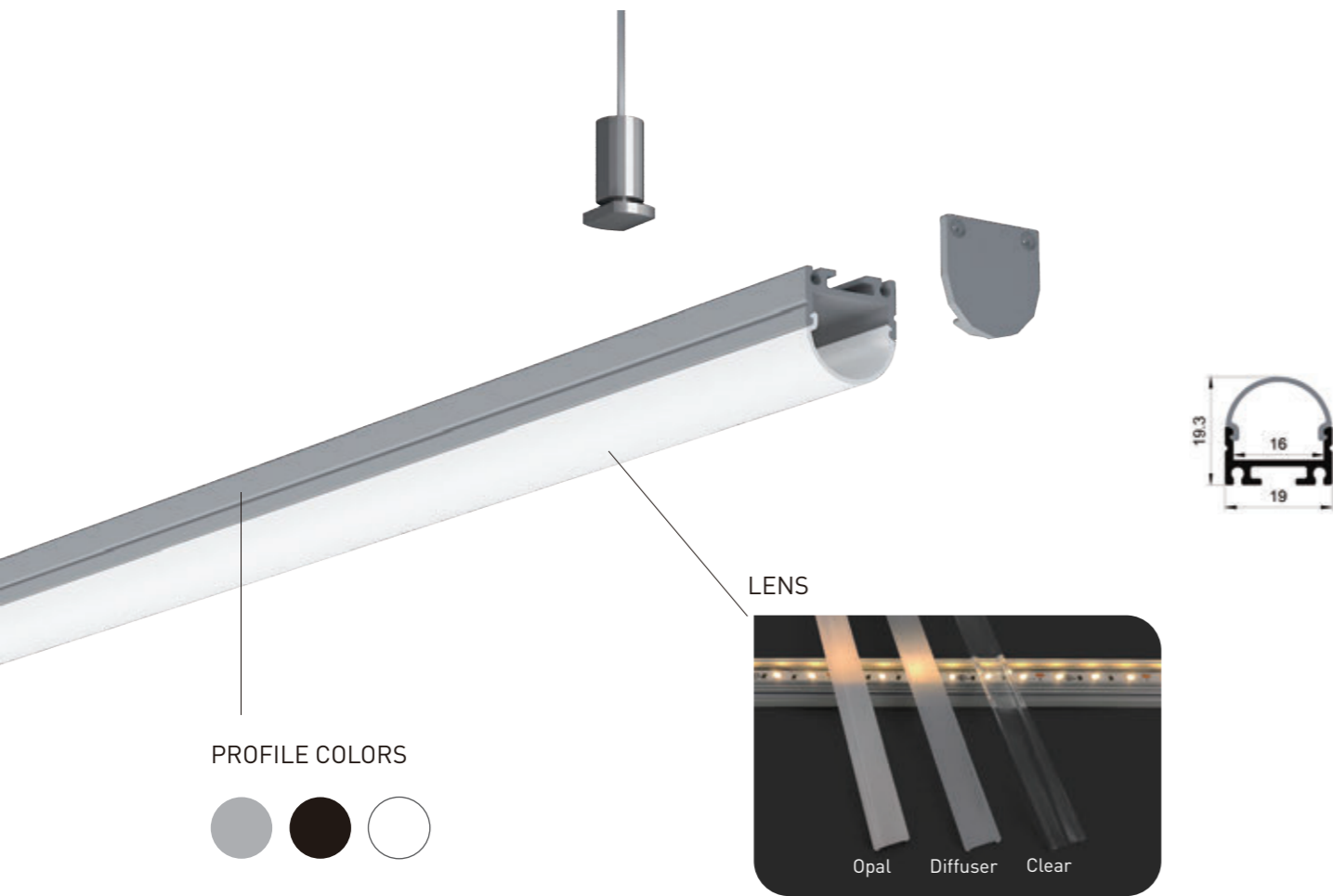
Performance	Part Code	Led Qty	Input Vol.	Power	CRI	Light Source Lumen	Diffuser Lens Lumen	Cuttable length	Max Run	Pcb Width
General	FN-2016-266	266pcs/m	24VDC	16.42W/m	90+	1700 lm/m	986 lm/m	26.3mm	3m	10mm

Remark: The tested data based on silver finish in 4000K, CRI 90+ light source.



PENDANT SERIES

► SL2016C16



ACCESSORIES



Pendant Kit



L Shape Connector



90° Connector



Straight Connector



Installation: Surface Mounted
 Length Available: 1-3m
 Profile Color: Silver, Black Anodized, White Powder Coating
 Lens: Opal, Diffuser, Clear
 Input Cable: Endcaps, Profile Bottom, Profile Sides
 Quick Female/Male Connectors Input cable & Junction Box available

PENDANT SERIES

► SL2016C16

ORDERING CODE

Luminaire	Finish	Lens	Vol.	Power	CRI	CCT	Input Cable	Connector	Wiring
SL2016C16	W White	D Diffuser	12 12VDC	5.18W/m	90 90+	22-2200K , 24-2400K , 25-2500K 27-2700K , 30-3000K , 35-3500K 40-4000K , 50-5000K , 65-6500K	01 - Black&Red 22AWG	A - AMP male/female	B - Through profile back
	B Black	O Opal	24 24VDC	11.52W/m	95 95+	22-2200K , 25-2500K , 27-2700K 30-3000K , 35-3500K , 40-4000K 50-5000K , 65-6500K	02 - Black&White 22AWG	M - Molex male/female	E - Through Endcaps
	S Silver	C Clear	36 36VDC	14.40W/m			03 - White PU protected 2 pin	D - DC male/female	S - Through profile side
			48 48VDC	21.60W/m 24.00W/m 28.80W/m			04 - 3Pin cable for Tunable white		
					TW	Tunable White - check your executive sales			
					D2W	Dim To Warm - check your executive sales			

RECOMMENDED LIGHT SOURCE

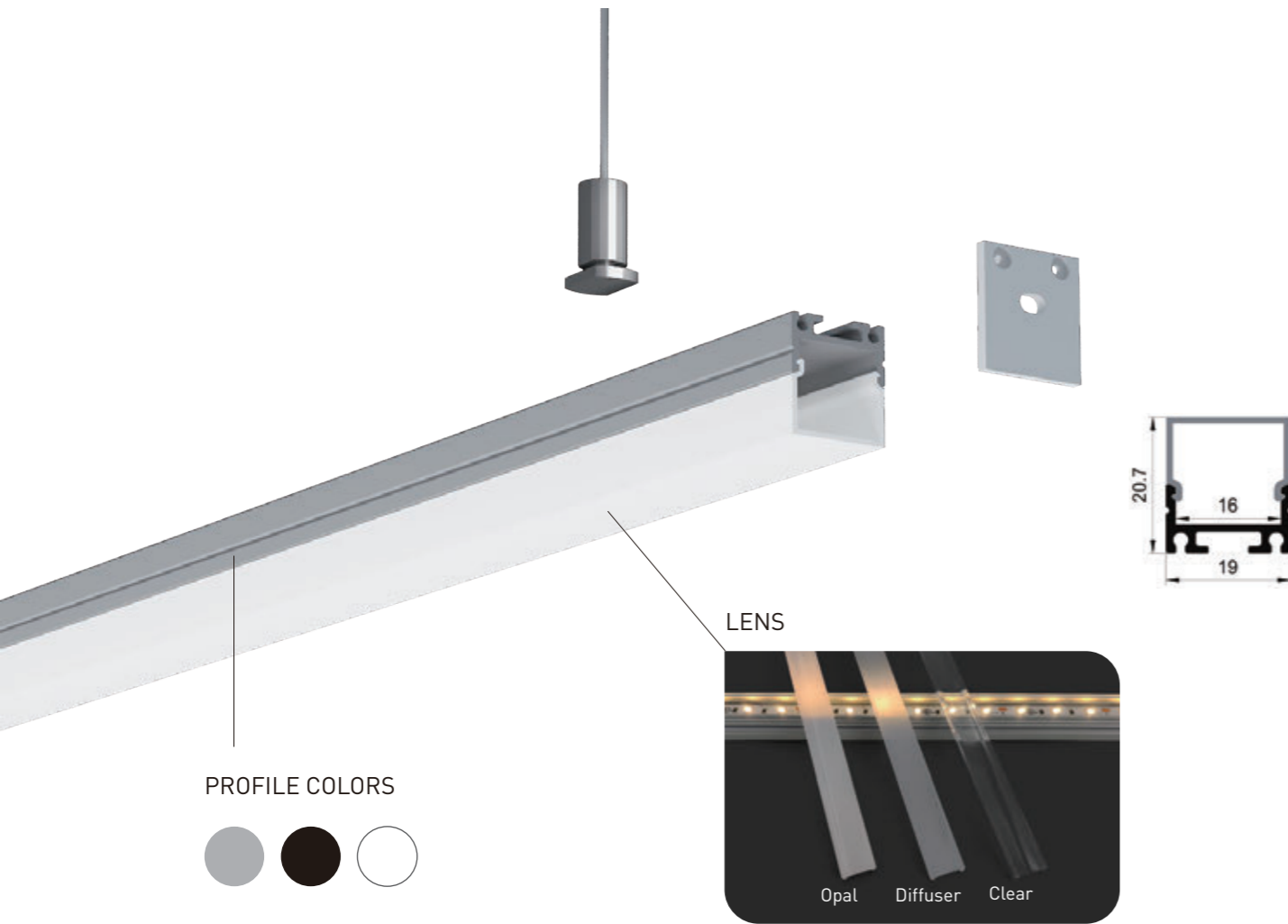
Performance	Part Code	Led Qty	Input Vol.	Power	CRI	Light Source Lumen	Diffuser Lens Lumen	Cuttable length	Max Run	Pcb Width
General	FN-2835T-120	120pcs/m	12/24VDC	14.40 W/m	90+	1512 lm/m	1074 lm/m	12V=25mm 24V=50mm	12V=5m 24V=9m	10 mm
					95+	1282 lm/m	910 lm/m			
High Efficiency	FN-H2835T-128	128pcs/m	24VDC	11.52 W/m	90+	1613 lm/m	1145 lm/m	24V=62.5mm	24V=6m	10 mm
				95+	1475 lm/m	1047 lm/m				
	FN-H28350-160	160pcs/m	24VDC	24 W/m	90+	3480 lm/m	2743 lm/m	50mm	3m	10 mm
	FN-H2835T-160	160pcs/m	24VDC	14.40 W/m	90+	1987 lm/m	1411 lm/m	24V=50mm	24V=5m	10 mm
			95+	1843 lm/m	1309 lm/m					
Long Run	FN-H28350-192	192pcs/m	24VDC	28.8 W/m	90+	4176 lm/m	3292 lm/m	41.7mm	2.5m	10 mm
	LN-H2835T-80	80pcs/m	36VDC	5.18W/m	90+	580 lm/m	412 lm/m	100mm	50m	10 mm
				95+	482 lm/m	342 lm/m				
	LN-H2835T-112	112pcs/m	48VDC	11.52 W/m	90+	1336 lm/m	949 lm/m	125mm	25m	10 mm
			95+	1106 lm/m	785 lm/m					
Short Cut	FN-F2835A-120	120pcs/m	12VDC	21.60 W/m	90+	588 lm/m	417 lm/m	50mm	21m	10 mm
					95+	486 lm/m	345 lm/m			
					90+	1922 lm/m	1365 lm/m	16.7mm	3.5m	10 mm
95+	1595 lm/m	1133 lm/m								

Remark: 1. The tested data based on silver finish in 4000K, CRI 90+ light source. 2. LN-H2835T-80 is good for long run, but it will show light spot.



PENDANT SERIES

► SL2016D16



PROFILE COLORS



ACCESSORIES



Pendant Kit



L Shape Connector



90° Connector



Straight Connector



Installation: Surface Mounted

Length Available: 1-3m

Profile Color: Silver, Black Anodized, White Powder Coating

Lens: Opal, Diffuser, Clear

Input Cable: Endcaps, Profile Bottom, Profile Sides

Quick Female/Male Connectors Input cable & Junction Box available

PENDANT SERIES

► SL2016D16

ORDERING CODE

Luminaire	Finish	Lens	Vol.	Power	CRI	CCT	Input Cable	Connector	Wiring
SL2016D16	W White	D Diffuser	12 12VDC	5.18W/m	90	22-2200K , 24-2400K , 25-2500K 27-2700K , 30-3000K , 35-3500K 40-4000K , 50-5000K , 65-6500K	01 - Black&Red 22AWG 02 - Black&White 22AWG 03 - White PU protected 2 pin 04 - 3Pin cable for Tunable white	A - AMP male/female M - Molex male/female D - DC male/female	B - Through profile back E - Through Endcaps S - Through profile side
	B Black	O Opal	24 24VDC	11.52W/m	95				
	S Silver	C Clear	36 36VDC	14.40W/m	95+				
			48 48VDC	21.60W/m 24.00W/m 28.80W/m	TW	Tunable White - check your executive sales			
					D2W	Dim To Warm - check your executive sales			

RECOMMENDED LIGHT SOURCE

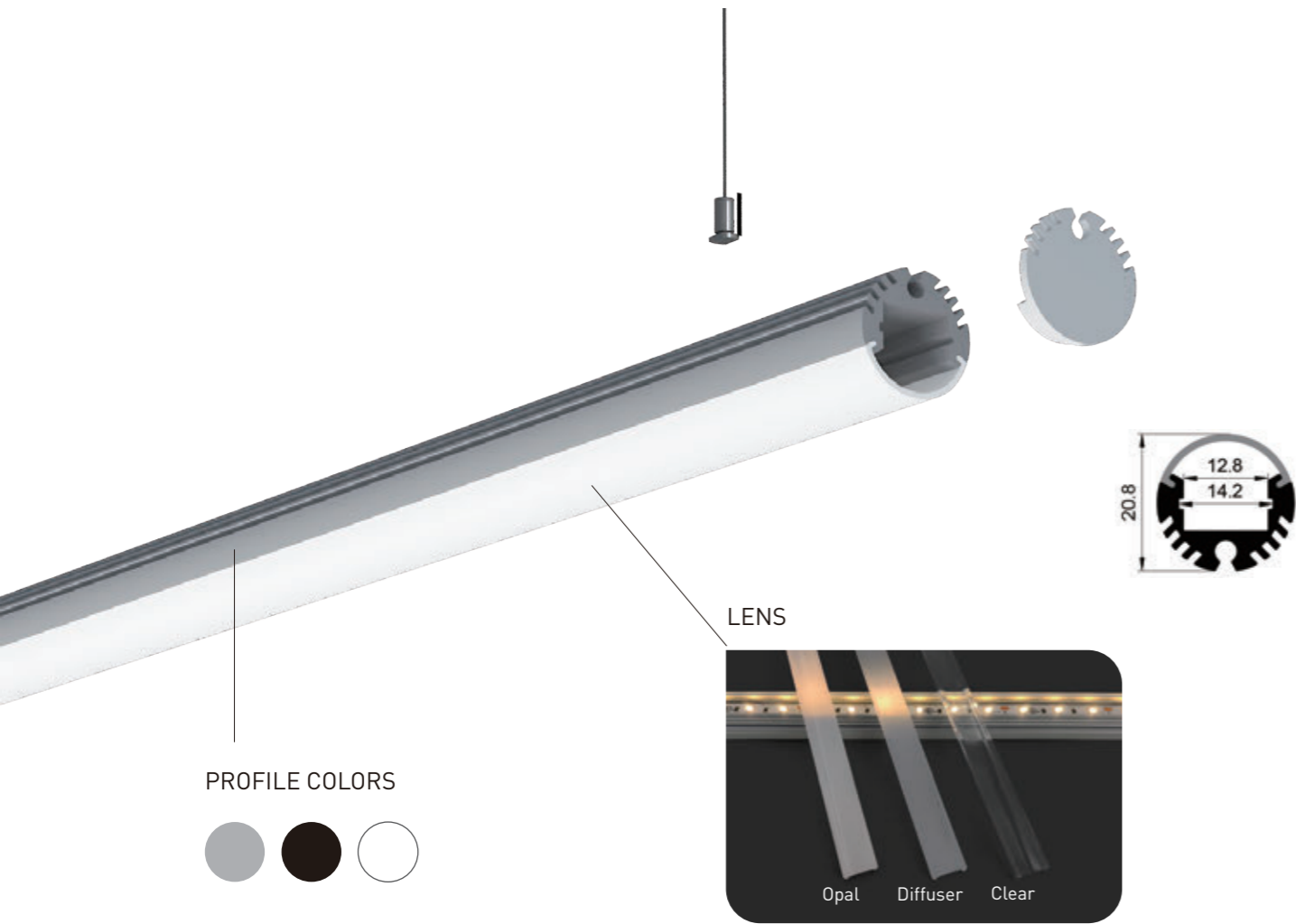
Performance	Part Code	Led Qty	Input Vol.	Power	CRI	Light Source Lumen	Diffuser Lens Lumen	Cuttable length	Max Run	Pcb Width
General	FN-2835T-120	120pcs/m	12/24VDC	14.40 W/m	90+	1512 lm/m	1074 lm/m	12V=25mm 24V=50mm	12V=5m 24V=9m	10 mm
					95+	1282 lm/m	910 lm/m			
High Efficiency	FN-H2835T-128	128pcs/m	24VDC	11.52 W/m	90+	1613 lm/m	1145 lm/m	24V=62.5mm	24V=6m	10 mm
					95+	1475 lm/m	1047 lm/m			
	FN-H28350-160	160pcs/m	24VDC	24 W/m	90+	3480 lm/m	2743 lm/m	50mm	3m	10 mm
					95+	1987 lm/m	1411 lm/m			
						1843 lm/m	1309 lm/m			
FN-H28350-192	192pcs/m	24VDC	28.8 W/m	90+	4176 lm/m	3292 lm/m	41.7mm	2.5m	10 mm	
Long Run	LN-H2835T-80	80pcs/m	36VDC	5.18W/m	90+	580 lm/m	412 lm/m	100mm	50m	10 mm
					95+	482 lm/m	342 lm/m			
	LN-H2835T-112	112pcs/m	48VDC	11.52 W/m	90+	1336 lm/m	949 lm/m	125mm	25m	10 mm
					95+	1106 lm/m	785 lm/m			
	LN-H2835T-120	120pcs/m	24VDC	6.00 W/m	90+	588 lm/m	417 lm/m	50mm	21m	10 mm
					95+	486 lm/m	345 lm/m			
Short Cut	FN-F2835A-120	120pcs/m	12VDC	21.60 W/m	90+	1922 lm/m	1365 lm/m	16.7mm	3.5m	10 mm
					95+	1595 lm/m	1133 lm/m			

Remark: 1. The tested data based on silver finish in 4000K, CRI 90+ light source. 2. LN-H2835T-80 is good for long run, but it will show light spot.

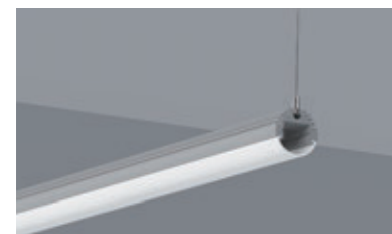


PENDANT SERIES

► SL202014



ACCESSORIES



Installation: Surface Mounted
 Length Available: 1-3m
 Profile Color: Silver, Black Anodized, White Powder Coating
 Lens: Opal, Diffuser, Clear
 Input Cable: Endcaps, Profile Bottom, Profile Sides
 Quick Female/Male Connectors Input cable & Junction Box available

PENDANT SERIES

► SL202014

ORDERING CODE

Luminaire	Finish	Lens	Vol.	Power	CRI	CCT	Input Cable	Connector	Wiring
SL202014	W White	D Diffuser	12 12VDC	5.18W/m	90 90+	22-2200K , 24-2400K , 25-2500K 27-2700K , 30-3000K , 35-3500K 40-4000K , 50-5000K , 65-6500K	01 - Black&Red 22AWG 02 - Black&White 22AWG 03 - White PU protected 2 pin 04 - 3Pin cable for Tunable white	A - AMP male/female M - Molex male/female D - DC male/female	B - Through profile back E - Through Endcaps S - Through profile side
	B Black	O Opal	24 24VDC	11.52W/m	95 95+	22-2200K , 25-2500K , 27-2700K 30-3000K , 35-3500K , 40-4000K 50-5000K , 65-6500K			
	S Silver	C Clear	36 36VDC	14.40W/m	TW	Tunable White - check your executive sales			
			48 48VDC	21.60W/m 24.00W/m 28.80W/m	D2W	Dim To Warm - check your executive sales			

RECOMMENDED LIGHT SOURCE

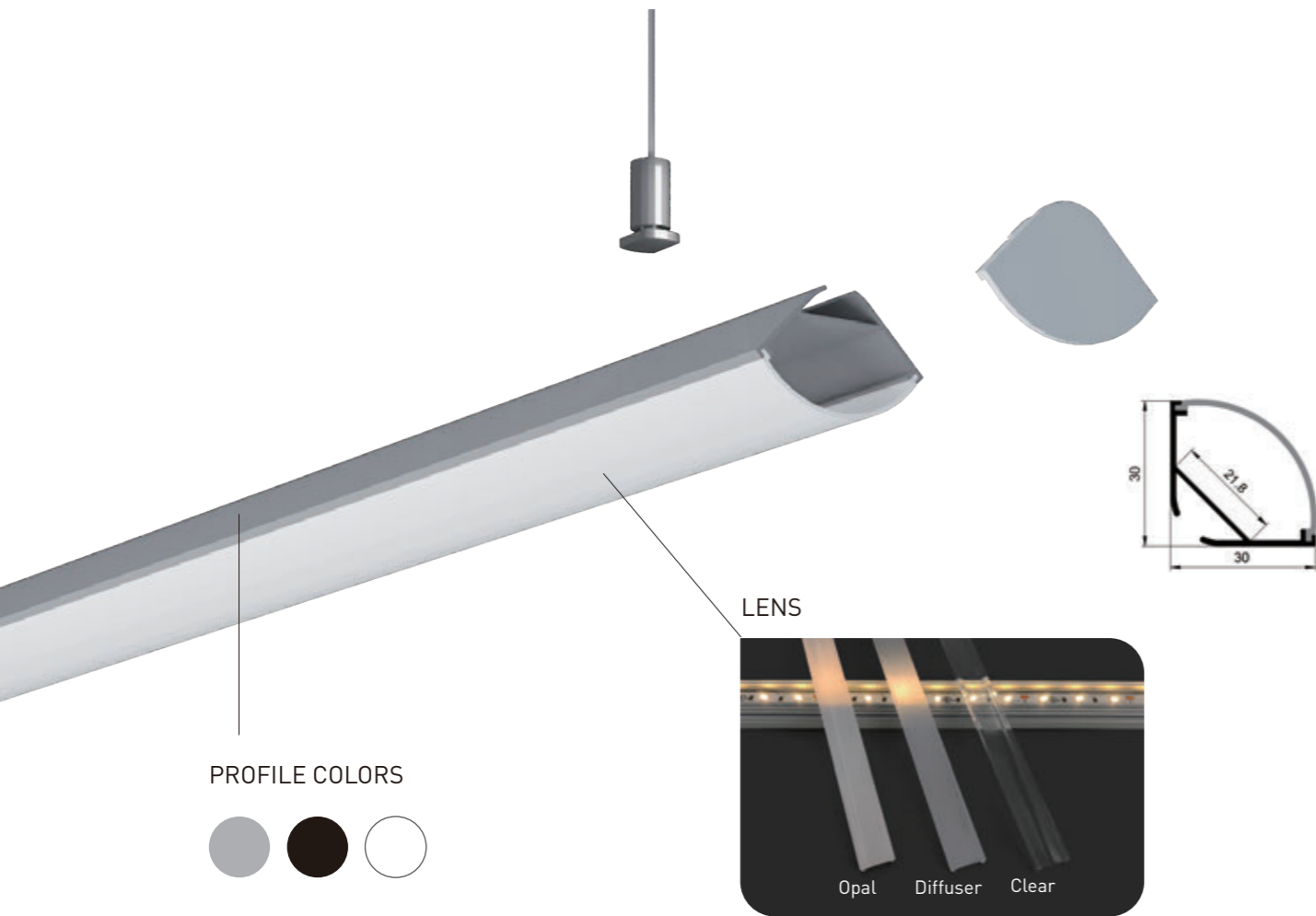
Performance	Part Code	Led Qty	Input Vol.	Power	CRI	Light Source Lumen	Diffuser Lens Lumen	Cuttable length	Max Run	Pcb Width
General	FN-2835T-120	120pcs/m	12/24VDC	14.40 W/m	90+	1512 lm/m	680 lm/m	12V=25mm 24V=50mm	12V=5m 24V=9m	10 mm
					95+	1282 lm/m	577 lm/m			
High Efficiency	FN-H2835T-128	128pcs/m	24VDC	11.52 W/m	90+	1613 lm/m	726 lm/m	24V=62.5mm	24V=6m	10 mm
					95+	1475 lm/m	664 lm/m			
	FN-H28350-160	160pcs/m	24VDC	24 W/m	90+	3480 lm/m	1739 lm/m	50mm	3m	10 mm
					90+	1987 lm/m	894 lm/m			
						95+	1843 lm/m			
FN-H28350-192	192pcs/m	24VDC	28.8 W/m	90+	4176 lm/m	2086 lm/m	41.7mm	2.5m	10 mm	
Long Run	LN-H2835T-80	80pcs/m	36VDC	5.18W/m	90+	580 lm/m	261 lm/m	100mm	50m	10 mm
					95+	482 lm/m	217 lm/m			
	LN-H2835T-112	112pcs/m	48VDC	11.52 W/m	90+	1336 lm/m	601 lm/m	125mm	25m	10 mm
					95+	1106 lm/m	498 lm/m			
	LN-H2835T-120	120pcs/m	24VDC	6.00 W/m	90+	588 lm/m	265 lm/m	50mm	21m	10 mm
					95+	486 lm/m	219 lm/m			
Short Cut	FN-F2835A-120	120pcs/m	12VDC	21.60 W/m	90+	1922 lm/m	865 lm/m	16.7mm	3.5m	10 mm
					95+	1595 lm/m	718 lm/m			

Remark: 1. The tested data based on silver finish in 4000K, CRI 90+ light source. 2. LN-H2835T-80 is good for long run, but it will show light spot.



PENDANT SERIES

► SL3030E21



PROFILE COLORS



Opal Diffuser Clear

ACCESSORIES



Pendant Kit



Installation: Surface Mounted
 Length Available: 1-3m
 Profile Color: Silver, Black Anodized, White Powder Coating
 Lens: Opal, Diffuser, Clear
 Input Cable: Endcaps, Profile Bottom, Profile Sides
 Quick Female/Male Connectors Input cable & Junction Box available

PENDANT SERIES

► SL3030E21

ORDERING CODE

Luminaire	Finish	Lens	Vol.	Power	CRI	CCT	Input Cable	Connector	Wiring
SL3030E21	W White	D Diffuser	12 12VDC	5.18W/m	90 90+	22-2200K , 24-2400K , 25-2500K 27-2700K , 30-3000K , 35-3500K 40-4000K , 50-5000K , 65-6500K	01 - Black&Red 22AWG 02 - Black&White 22AWG 03 - White PU protected 2 pin 04 - 3Pin cable for Tunable white	A - AMP male/female M - Molex male/female D - DC male/female	B - Through profile back E - Through Endcaps S - Through profile side
	B Black	O Opal	24 24VDC	11.52W/m	95 95+	22-2200K , 25-2500K , 27-2700K 30-3000K , 35-3500K , 40-4000K 50-5000K , 65-6500K			
	S Silver	C Clear	36 36VDC	14.40W/m	TW	Tunable White - check your executive sales			
			48 48VDC	21.60W/m					
				24.00W/m					
					28.80W/m	D2W			

RECOMMENDED LIGHT SOURCE

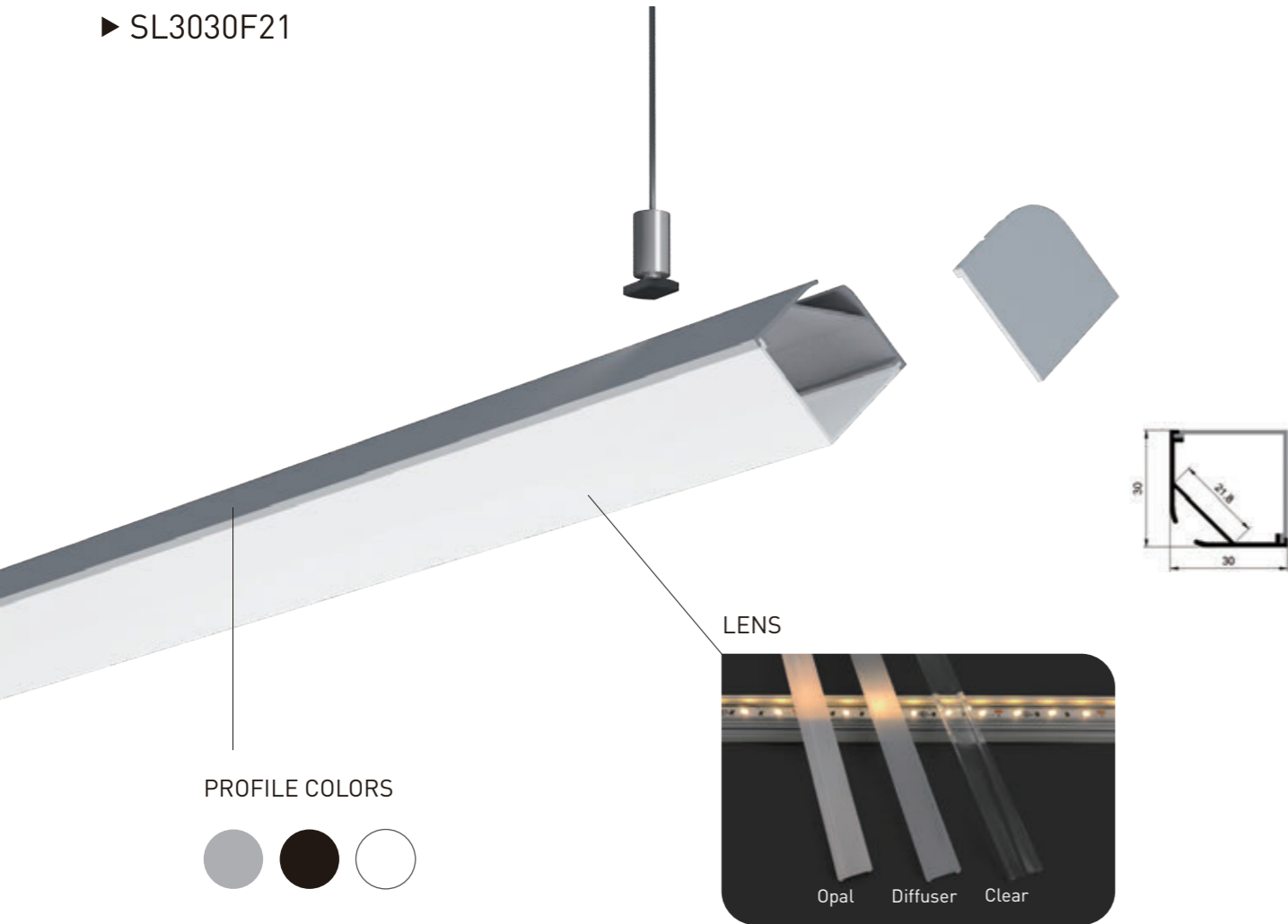
Performance	Part Code	Led Qty	Input Vol.	Power	CRI	Light Source Lumen	Diffuser Lens Lumen	Cuttable length	Max Run	Pcb Width
General	FN-2835T-120	120pcs/m	12/24VDC	14.40 W/m	90+	1512 lm/m	1074 lm/m	12V=25mm 24V=50mm	12V=5m 24V=9m	10 mm
					95+	1282 lm/m	910 lm/m			
High Efficiency	FN-H2835T-128	128pcs/m	24VDC	11.52 W/m	90+	1613 lm/m	1145 lm/m	24V=62.5mm	24V=6m	10 mm
					95+	1475 lm/m	1047 lm/m			
	FN-H28350-160	160pcs/m	24VDC	24 W/m	90+	3480 lm/m	2743 lm/m	50mm	3m	10 mm
					90+	1987 lm/m	1411 lm/m			
						95+	1843 lm/m			
FN-H28350-192	192pcs/m	24VDC	28.8 W/m	90+	4176 lm/m	3292 lm/m	41.7mm	2.5m	10 mm	
Long Run	LN-H2835T-80	80pcs/m	36VDC	5.18W/m	90+	580 lm/m	412 lm/m	100mm	50m	10 mm
					95+	482 lm/m	342 lm/m			
	LN-H2835T-112	112pcs/m	48VDC	11.52 W/m	90+	1336 lm/m	949 lm/m	125mm	25m	10 mm
					95+	1106 lm/m	785 lm/m			
	LN-H2835T-120	120pcs/m	24VDC	6.00 W/m	90+	588 lm/m	417 lm/m	50mm	21m	10 mm
					95+	486 lm/m	345 lm/m			
Short Cut	FN-F2835A-120	120pcs/m	12VDC	21.60 W/m	90+	1922 lm/m	1365 lm/m	16.7mm	3.5m	10 mm
					95+	1595 lm/m	1133 lm/m			

Remark: 1. The tested data based on silver finish in 4000K, CRI 90+ light source. 2. LN-H2835T-80 is good for long run, but it will show light spot.



PENDANT SERIES

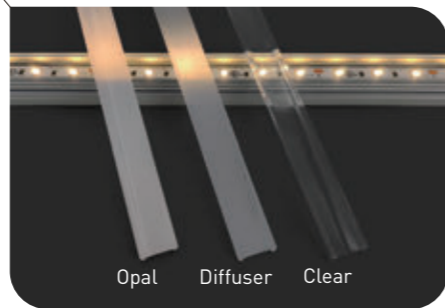
► SL3030F21



PROFILE COLORS



LENS



ACCESSORIES



Pendant Kit



Installation: Surface Mounted
 Length Available: 1-3m
 Profile Color: Silver, Black Anodized, White Powder Coating
 Lens: Opal, Diffuser, Clear
 Input Cable: Endcaps, Profile Bottom, Profile Sides
 Quick Female/Male Connectors Input cable & Junction Box available

PENDANT SERIES

► SL3030F21

ORDERING CODE

Luminaire	Finish	Lens	Vol.	Power	CRI	CCT	Input Cable	Connector	Wiring
SL3030F21	W White	D Diffuser	12 12VDC	5.18W/m	90 90+	22-2200K , 24-2400K , 25-2500K 27-2700K , 30-3000K , 35-3500K 40-4000K , 50-5000K , 65-6500K	01 - Black&Red 22AWG	A - AMP male/female	B - Through profile back
	B Black	O Opal	24 24VDC	11.52W/m	95 95+	22-2200K , 25-2500K , 27-2700K 30-3000K , 35-3500K , 40-4000K 50-5000K , 65-6500K	02 - Black&White 22AWG	M - Molex male/female	E - Through Endcaps
	S Silver	C Clear	36 36VDC	14.40W/m	TW	Tunable White - check your executive sales	03 - White PU protected 2 pin	D - DC male/female	S - Through profile side
			48 48VDC	21.60W/m 24.00W/m 28.80W/m			04 - 3Pin cable for Tunable white		
					D2W	Dim To Warm - check your executive sales			

RECOMMENDED LIGHT SOURCE

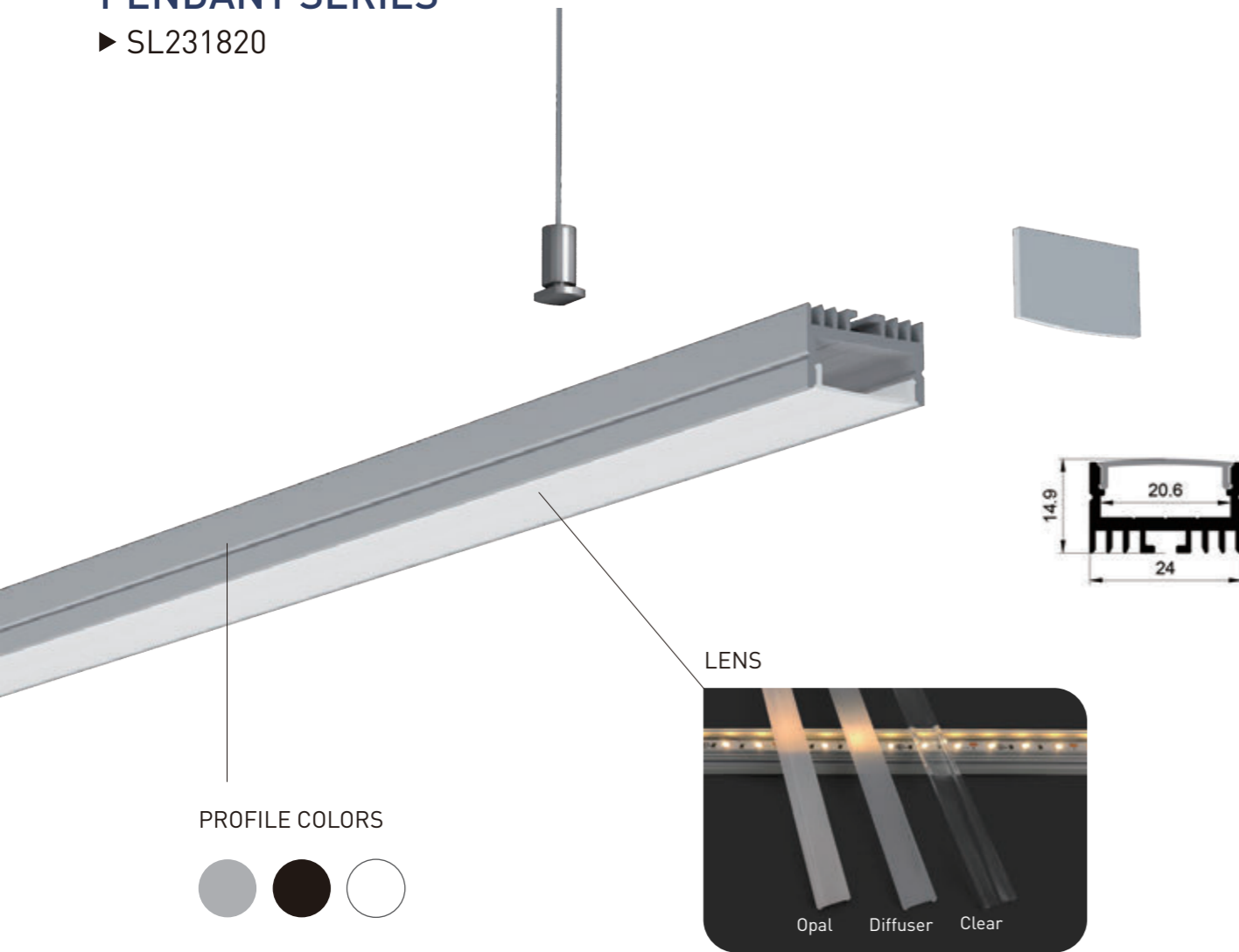
Performance	Part Code	Led Qty	Input Vol.	Power	CRI	Light Source Lumen	Diffuser Lens Lumen	Cuttable length	Max Run	Pcb Width
General	FN-2835T-120	120pcs/m	12/24VDC	14.40 W/m	90+	1512 lm/m	1074 lm/m	12V=25mm 24V=50mm	12V=5m 24V=9m	10 mm
					95+	1282 lm/m	910 lm/m			
High Efficiency	FN-H2835T-128	128pcs/m	24VDC	11.52 W/m	90+	1613 lm/m	1145 lm/m	24V=62.5mm	24V=6m	10 mm
					95+	1475 lm/m	1047 lm/m			
	FN-H28350-160	160pcs/m	24VDC	24 W/m	90+	3480 lm/m	2743 lm/m	50mm	3m	10 mm
					95+	1987 lm/m	1411 lm/m	24V=50mm	24V=5m	10 mm
						1843 lm/m	1309 lm/m			
FN-H28350-192	192pcs/m	24VDC	28.8 W/m	90+	4176 lm/m	3292 lm/m	41.7mm	2.5m	10 mm	
Long Run	LN-H2835T-80	80pcs/m	36VDC	5.18W/m	90+	580 lm/m	412 lm/m	100mm	50m	10 mm
					95+	482 lm/m	342 lm/m			
	LN-H2835T-112	112pcs/m	48VDC	11.52 W/m	90+	1336 lm/m	949 lm/m	125mm	25m	10 mm
					95+	1106 lm/m	785 lm/m			
	LN-H2835T-120	120pcs/m	24VDC	6.00 W/m	90+	588 lm/m	417 lm/m	50mm	21m	10 mm
					95+	486 lm/m	345 lm/m			
Short Cut	FN-F2835A-120	120pcs/m	12VDC	21.60 W/m	90+	1922 lm/m	1365 lm/m	16.7mm	3.5m	10 mm
					95+	1595 lm/m	1133 lm/m			

Remark: 1. The tested data based on silver finish in 4000K, CRI 90+ light source. 2. LN-H2835T-80 is good for long run, but it will show light spot.



PENDANT SERIES

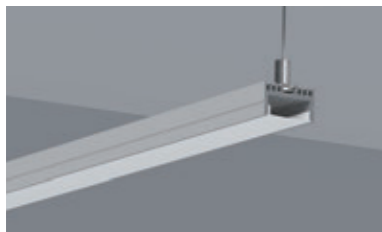
► SL231820



ACCESSORIES



Pendant Kit



Installation: Surface Mounted
 Length Available: 1-3m
 Profile Color: Silver, Black Anodized, White Powder Coating
 Lens: Opal, Diffuser, Clear
 Input Cable: Endcaps, Profile Bottom, Profile Sides
 Quick Female/Male Connectors Input cable & Junction Box available

PENDANT SERIES

► SL231820

ORDERING CODE

Luminaire	Finish	LENS	Vol.	Power	CRI	CCT	Input Cable	Connector	Wiring
SL231820	W White	D Diffuser	12 12VDC	5.18W/m	90 90+	22-2200K , 24-2400K , 25-2500K 27-2700K , 30-3000K , 35-3500K 40-4000K , 50-5000K , 65-6500K	01 - Black&Red 22AWG 02 - Black&White 22AWG 03 - White PU protected 2 pin 04 - 3Pin cable for Tunable white	A - AMP male/female M - Molex male/female D - DC male/female	B - Through profile back E - Through Endcaps S - Through profile side
	B Black	O Opal	24 24VDC	11.52W/m					
	S Silver	C Clear	36 36VDC	14.40W/m					
			48 48VDC	21.60W/m 24.00W/m 28.80W/m					
					TW	Tunable White - check your executive sales			
					D2W	Dim To Warm - check your executive sales			

RECOMMENDED LIGHT SOURCE

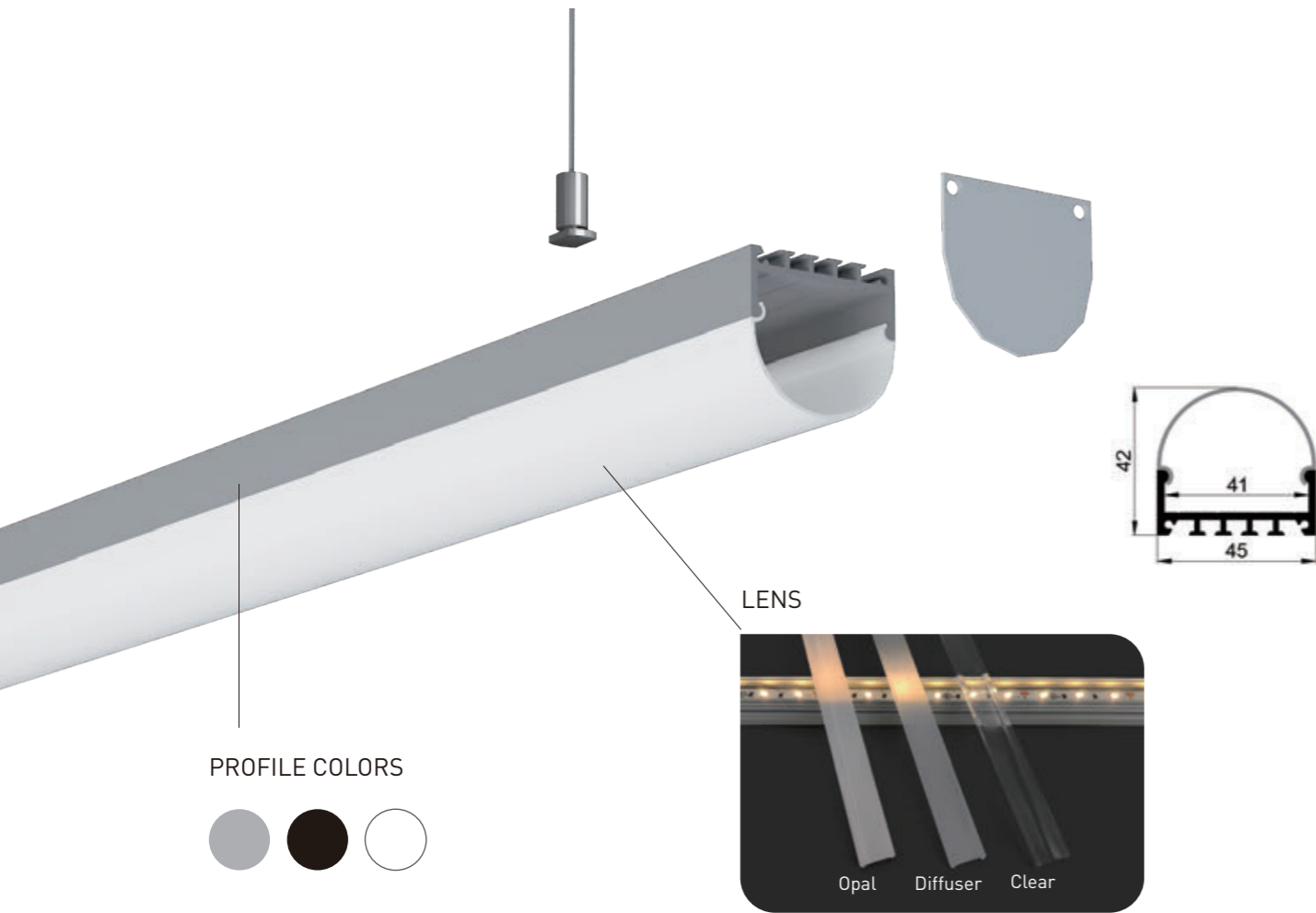
Performance	Part Code	Led Qty	Input Vol.	Power	CRI	Light Source Lumen	Diffuser Lens Lumen	Cuttable length	Max Run	Pcb Width
General	FN-2835T-120	120pcs/m	12/24VDC	14.40 W/m	90+	1512 lm/m	680 lm/m	12V=25mm 24V=50mm	12V=5m 24V=9m	10 mm
					95+	1282 lm/m	577 lm/m			
High Efficiency	FN-H2835T-128	128pcs/m	24VDC	11.52 W/m	90+	1613 lm/m	726 lm/m	24V=62.5mm	24V=6m	10 mm
					95+	1475 lm/m	664 lm/m			
	FN-H28350-160	160pcs/m	24VDC	24 W/m	90+	3480 lm/m	1739 lm/m	50mm	3m	10 mm
					95+	1987 lm/m	894 lm/m			
						1843 lm/m	829 lm/m			
FN-H28350-192	192pcs/m	24VDC	28.8 W/m	90+	4176 lm/m	2086 lm/m	41.7mm	2.5m	10 mm	
Long Run	LN-H2835T-80	80pcs/m	36VDC	5.18W/m	90+	580 lm/m	261 lm/m	100mm	50m	10 mm
					95+	482 lm/m	217 lm/m			
	LN-H2835T-112	112pcs/m	48VDC	11.52 W/m	90+	1336 lm/m	601 lm/m	125mm	25m	10 mm
					95+	1106 lm/m	498 lm/m			
	LN-H2835T-120	120pcs/m	24VDC	6.00 W/m	90+	588 lm/m	265 lm/m	50mm	21m	10 mm
					95+	486 lm/m	219 lm/m			
Short Cut	FN-F2835A-120	120pcs/m	12VDC	21.60 W/m	90+	1922 lm/m	865 lm/m	16.7mm	3.5m	10 mm
					95+	1595 lm/m	718 lm/m			

Remark: 1. The tested data based on silver finish in 4000K, CRI 90+ light source. 2. LN-H2835T-80 is good for long run, but it will show light spot.



PENDANT SERIES

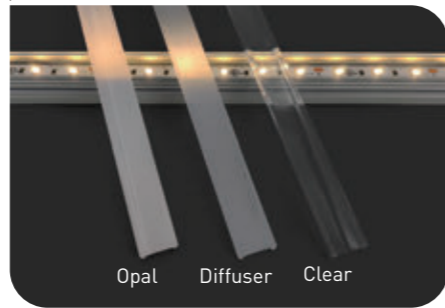
► SL454241



PROFILE COLORS



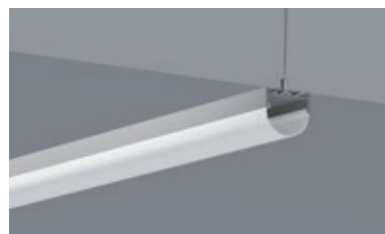
LENS



ACCESSORIES



Pendant Kit



Installation: Surface Mounted
 Length Available: 1-3m
 Profile Color: Silver, Black Anodized, White Powder Coating
 Lens: Opal, Diffuser, Clear
 Input Cable: Endcaps, Profile Bottom, Profile Sides
 Quick Female/Male Connectors Input cable & Junction Box available

PENDANT SERIES

► SL454241

ORDERING CODE

Luminaire	Finish	LENS	Vol.	Power	CRI	CRI	Input Cable	Connector	Wiring
SL454241	W White	D Diffuser	12 12VDC	21.60W/m	90	22-2200K , 24-2400K , 25-2500K 27-2700K , 30-3000K , 35-3500K 40-4000K , 50-5000K , 65-6500K	01 - Black&Red 22AWG	A - AMP male/female	B - Through profile back
	B Black	O Opal	24 24VDC	28.80W/m	90+				
	S Silver	C Clear		36.00W/m	95	22-2200K , 25-2500K , 27-2700K 30-3000K , 35-3500K , 40-4000K 50-5000K , 65-6500K	02 - Black&White 22AWG	M - Molex male/female	E - Through Endcaps
				43.2W/m	95+				
					TW	Tunable White - check your executive sales	03 - White PU protected 2 pin		S - Through profile side
					D2W	Dim To Warm - check your executive sales	04 - 3Pin cable for Tunable white		

RECOMMENDED LIGHT SOURCE

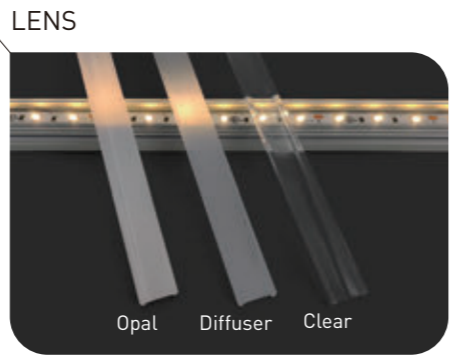
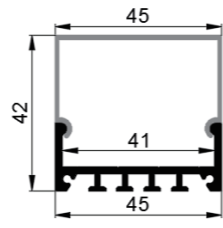
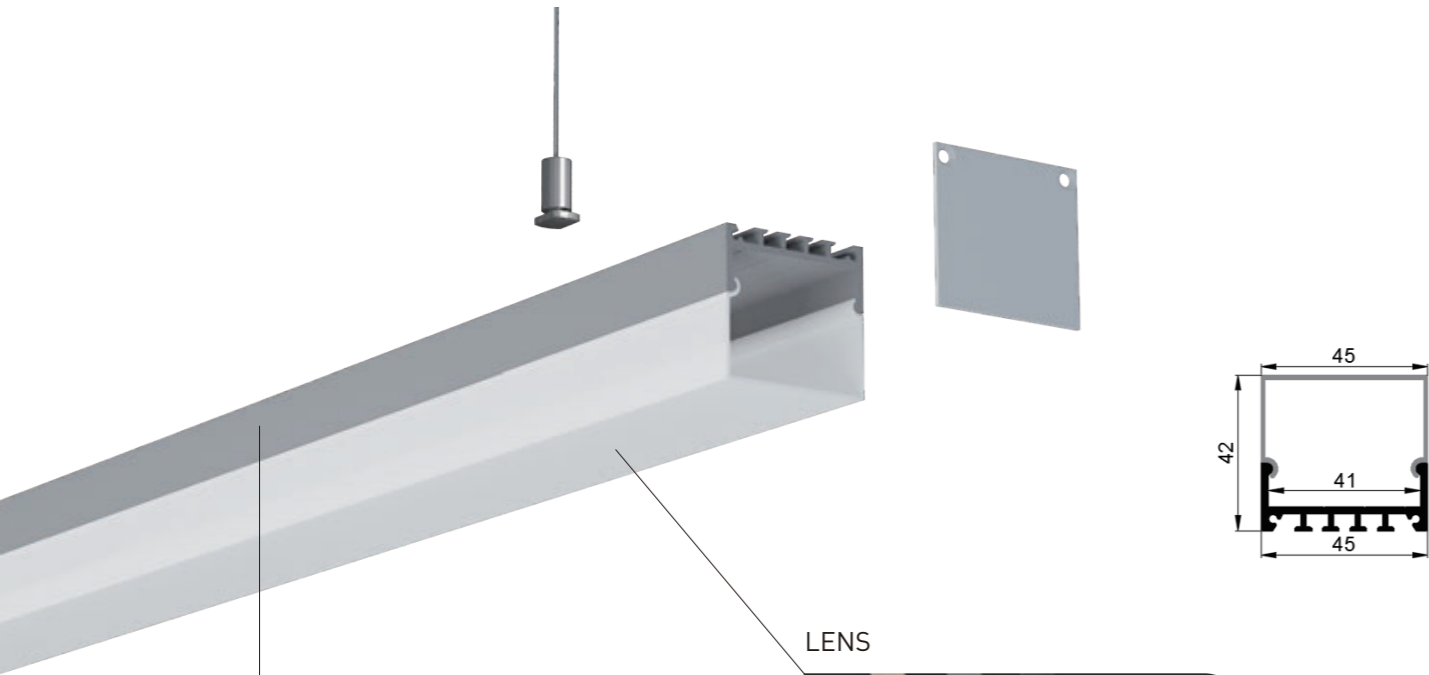
Performance	Part Code	Led Qty	Input Vol.	Power	CRI	Light Source Lumen	Diffuser Lens Lumen	Cuttable length	Max Run	Pcb Width
General	FN-2835T-240	240pcs/m	12/24VDC	28.8 W/m	90+	3024 lm/m	2147 lm/m	12V=25mm 24V=55.56mm	12V=4m 24V=6.5m	14 mm
					95+	2563 lm/m	1820 lm/m			
High Efficiency	FN-H2835-240	240pcs/m	24VDC	21.6 W/m	90+	2981 lm/m	2117 lm/m	33.3mm	7m	14 mm
				95+	2765 lm/m	1963 lm/m				
	FN-H28350-240	240pcs/m	24VDC	36 W/m	90+	5796 lm/m	4115 lm/m	33.3mm	2.5m	12 mm
	FN-H28350-288	288pcs/m	24VDC	43.2 W/m	90+	6955 lm/m	4938 lm/m	27.8mm	2m	12 mm

Remark: The tested data based on silver finish in 4000K, CRI 90+ light source.



PENDANT SERIES

► SL4542B41



PROFILE COLORS



ACCESSORIES



Pendant Kit



Installation: Surface Mounted
 Length Available: 1-3m
 Profile Color: Silver, Black Anodized, White Powder Coating
 Lens: Opal, Diffuser, Clear
 Input Cable: Endcaps, Profile Bottom, Profile Sides
 Quick Female/Male Connectors Input cable & Junction Box available

PENDANT SERIES

► SL4542B41

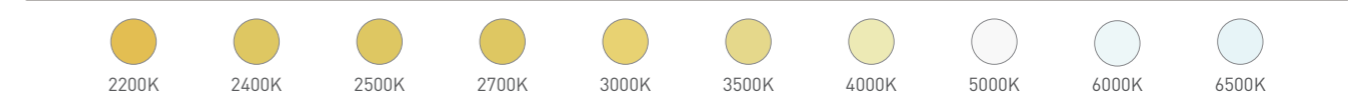
ORDERING CODE

Luminaire	Finish	Lens	Vol.	Power	CRI	CCT	Input Cable	Connector	Wiring
SL4542B41	W White	D Diffuser	12 12VDC	21.60W/m	90 90+	22-2200K , 24-2400K , 25-2500K 27-2700K , 30-3000K , 35-3500K 40-4000K , 50-5000K , 65-6500K	01 - Black&Red 22AWG	A - AMP male/female	B - Through profile back
	B Black	O Opal	24 24VDC	28.80W/m	95 95+	22-2200K , 25-2500K , 27-2700K 30-3000K , 35-3500K , 40-4000K 50-5000K , 65-6500K	02 - Black&White 22AWG	M - Molex male/female	E - Through Endcaps
	S Silver	C Clear		36.00W/m			03 - White PU protected 2 pin	D - DC male/female	S - Through profile side
				43.2W/m			04 - 3Pin cable for Tunable white		
					TW	Tunable White - check your executive sales			
					D2W	Dim To Warm - check your executive sales			

RECOMMENDED LIGHT SOURCE

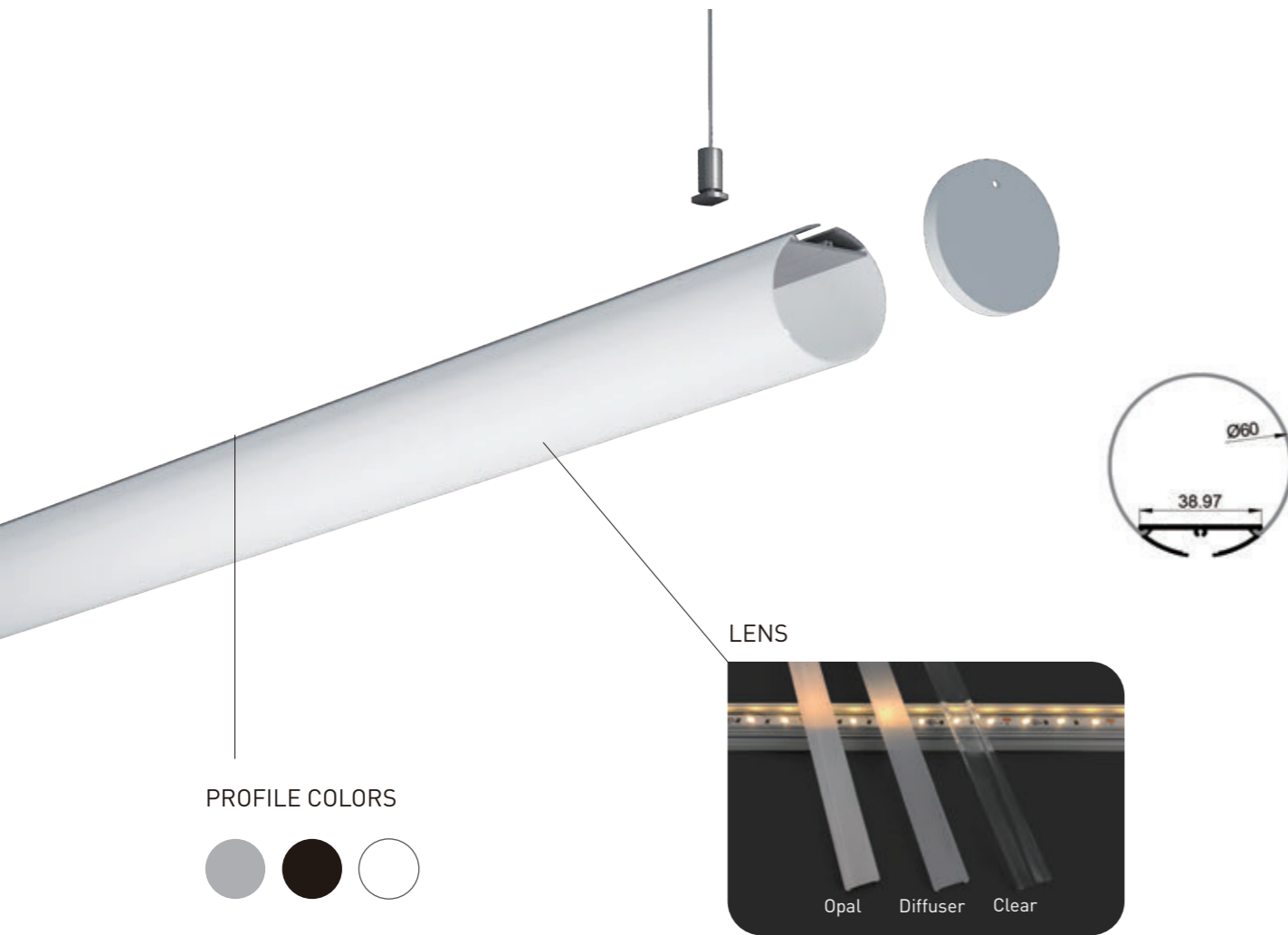
Performance	Part Code	Led Qty	Input Vol.	Power	CRI	Light Source Lumen	Diffuser Lens Lumen	Cuttable length	Max Run	Pcb Width
General	FN-2835T-240	240pcs/m	12/24VDC	28.8 W/m	90+	3024 lm/m	2147 lm/m	12V=25mm 24V=55.56mm	12V=4m 24V=6.5m	14 mm
					95+	2563 lm/m	1820 lm/m			
High Efficiency	FN-H2835-240	240pcs/m	24VDC	21.6 W/m	90+	2981 lm/m	2117 lm/m	33.3mm	7m	14 mm
				95+	2765 lm/m	1963 lm/m				
	FN-H28350-240	240pcs/m	24VDC	36 W/m	90+	5796 lm/m	4115 lm/m	33.3mm	2.5m	12 mm
	FN-H28350-288	288pcs/m	24VDC	43.2 W/m	90+	6955 lm/m	4938 lm/m	27.8mm	2m	12 mm

Remark: The tested data based on silver finish in 4000K, CRI 90+ light source.



PENDANT SERIES

► SL6060A38



PROFILE COLORS



Opal Diffuser Clear

ACCESSORIES



Pendant Kit



Installation: Surface Mounted
 Length Available: 1-3m
 Profile Color: Silver, Black Anodized, White Powder Coating
 Lens: Opal, Diffuser, Clear
 Input Cable: Endcaps, Profile Bottom, Profile Sides
 Quick Female/Male Connectors Input cable & Junction Box available

PENDANT SERIES

► SL6060A38

ORDERING CODE

Luminaire	Finish	Lens	Vol.	Power	CRI	CCT	Input Cable	Connector	Wiring
SL6060A38	W White	D Diffuser	12 12VDC	21.60W/m	90 90+	22-2200K , 24-2400K , 25-2500K 27-2700K , 30-3000K , 35-3500K 40-4000K , 50-5000K , 65-6500K	01 - Black&Red 22AWG	A - AMP male/female	B - Through profile back
	B Black	O Opal	24 24VDC	28.80W/m	95 95+	22-2200K , 25-2500K , 27-2700K 30-3000K , 35-3500K , 40-4000K 50-5000K , 65-6500K	02 - Black&White 22AWG	M - Molex male/female	E - Through Endcaps
	S Silver	C Clear		36.00W/m 43.2W/m			03 - White PU protected 2 pin	D - DC male/female	S - Through profile side
							04 - 3Pin cable for Tunable white		
					TW	Tunable White - check your executive sales			
					D2W	Dim To Warm - check your executive sales			

RECOMMENDED LIGHT SOURCE

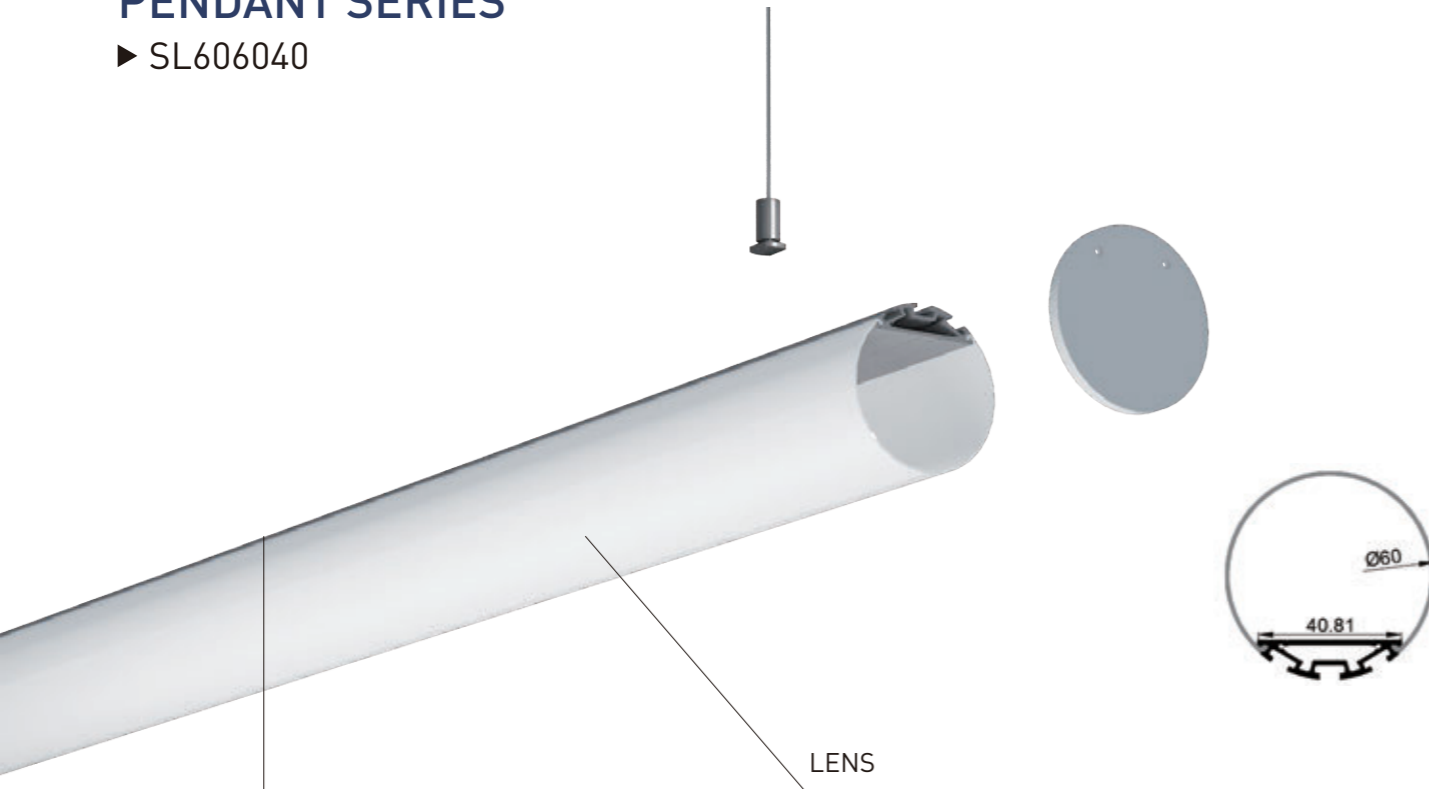
Performance	Part Code	Led Qty	Input Vol.	Power	CRI	Light Source Lumen	Diffuser Lens Lumen	Cuttable length	Max Run	Pcb Width
General	FN-2835T-240	240pcs/m	12/24VDC	28.8 W/m	90+	3024 lm/m	2147 lm/m	12V=25mm 24V=55.56mm	12V=4m 24V=6.5m	14 mm
					95+	2563 lm/m	1820 lm/m			
High Efficiency	FN-H2835-240	240pcs/m	24VDC	21.6 W/m	90+	2981 lm/m	2117 lm/m	33.3mm	7m	14 mm
				95+	2765 lm/m	1963 lm/m				
	FN-H28350-240	240pcs/m	24VDC	36 W/m	90+	5796 lm/m	4115 lm/m	33.3mm	2.5m	12 mm
	FN-H28350-288	288pcs/m	24VDC	43.2 W/m	90+	6955 lm/m	4938 lm/m	27.8mm	2m	12 mm

Remark: The tested data based on silver finish in 4000K, CRI 90+ light source.

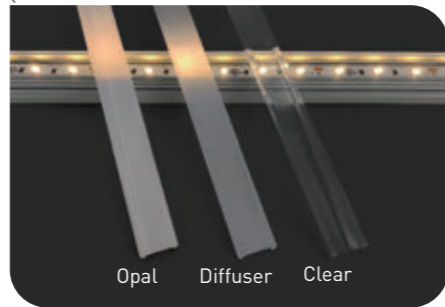


PENDANT SERIES

► SL606040



PROFILE COLORS



ACCESSORIES



Pendant Kit



Installation: Surface Mounted
 Length Available: 1-3m
 Profile Color: Silver, Black Anodized, White Powder Coating
 Lens: Opal, Diffuser, Clear
 Input Cable: Endcaps, Profile Bottom, Profile Sides
 Quick Female/Male Connectors Input cable & Junction Box available

PENDANT SERIES

► SL606040

ORDERING CODE

Luminaire	Finish	Lens	Vol.	Power	CRI	CCT	Input Cable	Connector	Wiring
SL606040	W White	D Diffuser	12 12VDC	21.60W/m	90	22-2200K , 24-2400K , 25-2500K 27-2700K , 30-3000K , 35-3500K 40-4000K , 50-5000K , 65-6500K	01 - Black&Red 22AWG	A - AMP male/female	B - Through profile back
	B Black	O Opal	24 24VDC	28.80W/m	90+				
	S Silver	C Clear		36.00W/m	95	22-2200K , 25-2500K , 27-2700K 30-3000K , 35-3500K , 40-4000K 50-5000K , 65-6500K	02 - Black&White 22AWG	M - Molex male/female	E - Through Endcaps
				43.2W/m	95+				
					TW	Tunable White - check your executive sales	03 - White PU protected 2 pin		S - Through profile side
					D2W	Dim To Warm - check your executive sales	04 - 3Pin cable for Tunable white		

RECOMMENDED LIGHT SOURCE

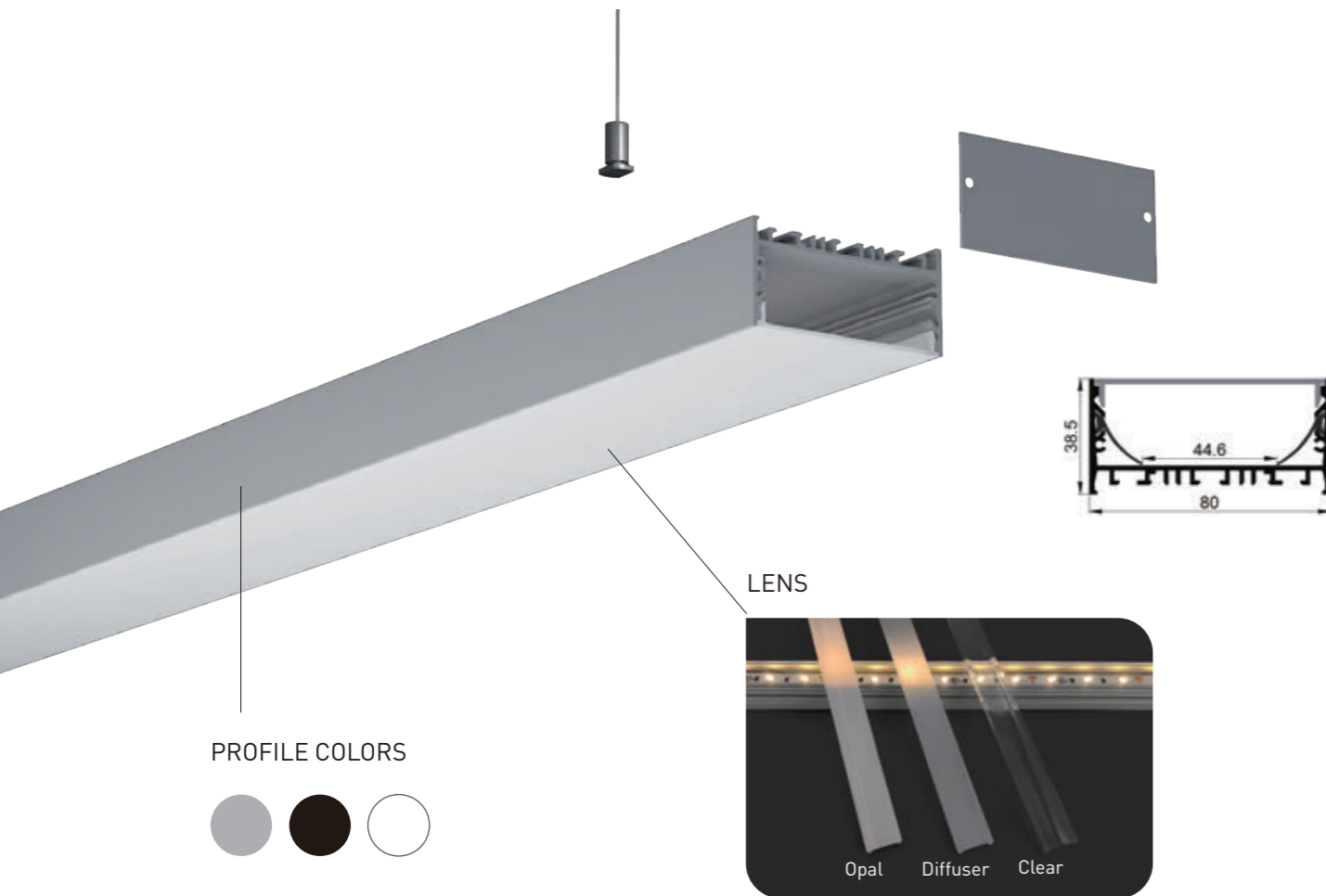
Performance	Part Code	Led Qty	Input Vol.	Power	CRI	Light Source Lumen	Diffuser Lens Lumen	Cutttable length	Max Run	Pcb Width
General	FN-2835T-240	240pcs/m	12/24VDC	28.8 W/m	90+	3024 lm/m	2147 lm/m	12V=25mm 24V=55.56mm	12V=4m 24V=6.5m	14 mm
					95+	2563 lm/m	1820 lm/m			
High Efficiency	FN-H2835-240	240pcs/m	24VDC	21.6 W/m	90+	2981 lm/m	2117 lm/m	33.3mm	7m	14 mm
				95+	2765 lm/m	1963 lm/m				
	FN-H28350-240	240pcs/m	24VDC	36 W/m	90+	5796 lm/m	4115 lm/m	33.3mm	2.5m	12 mm
	FN-H28350-288	288pcs/m	24VDC	43.2 W/m	90+	6955 lm/m	4938 lm/m	27.8mm	2m	12 mm

Remark: The tested data based on silver finish in 4000K, CRI 90+ light source.



PENDANT SERIES

► SL8078B62



ACCESSORIES



Pendant Kit



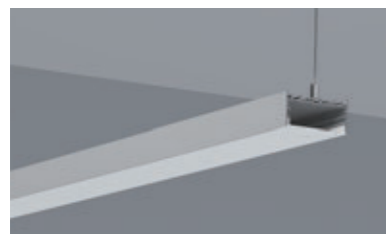
L Shape Connector



90° Connector



Straight Connector



Installation: Surface Mounted
 Length Available: 1-3m
 Profile Color: Silver, Black Anodized, White Powder Coating
 Lens: Opal, Diffuser, Clear
 Input Cable: Endcaps, Profile Bottom, Profile Sides
 Quick Female/Male Connectors Input cable & Junction Box available

PENDANT SERIES

► SL8078B62

ORDERING CODE

Luminaire	Finish	Lens	Vol.	Power	CRI	CCT	Input Cable	Connector	Wiring
SL8078B62	W White	D Diffuser	12 12VDC	21.60W/m	90 90+	22-2200K , 24-2400K , 25-2500K 27-2700K , 30-3000K , 35-3500K 40-4000K , 50-5000K , 65-6500K	01 - Black&Red 22AWG	A - AMP male/female	B - Through profile back
	B Black	O Opal	24 24VDC	28.80W/m	95 95+	22-2200K , 25-2500K , 27-2700K 30-3000K , 35-3500K , 40-4000K 50-5000K , 65-6500K	02 - Black&White 22AWG	M - Molex male/female	E - Through Endcaps
	S Silver	C Clear		36.00W/m			03 - White PU protected 2 pin	D - DC male/female	S - Through profile side
				43.2W/m			04 - 3Pin cable for Tunable white		
					TW	Tunable White - check your executive sales			
					D2W	Dim To Warm - check your executive sales			

RECOMMENDED LIGHT SOURCE

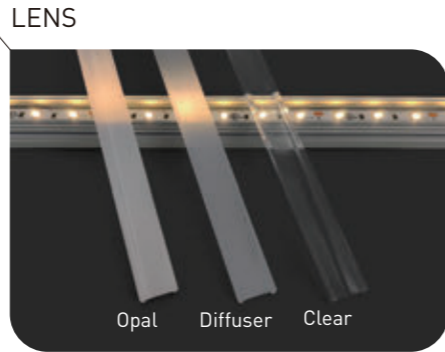
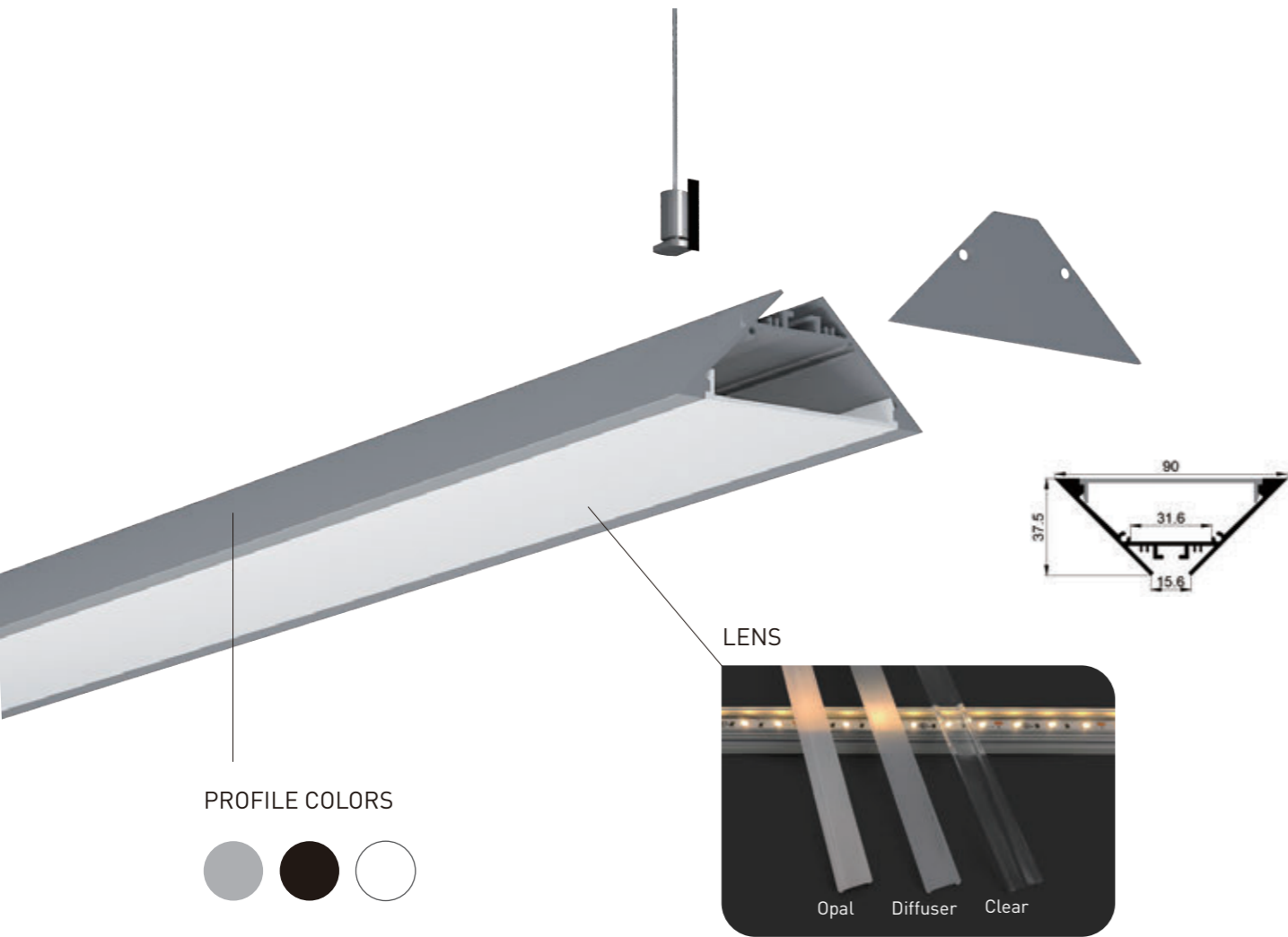
Performance	Part Code	Led Qty	Input Vol.	Power	CRI	Light Source Lumen	Diffuser Lens Lumen	Cutttable length	Max Run	Pcb Width
General	FN-2835T-240	240pcs/m	12/24VDC	28.8 W/m	90+	3024 lm/m	1361 lm/m	12V=25mm 24V=55.56mm	12V=4m 24V=6.5m	14 mm
					95+	2563 lm/m	1153 lm/m			
High Efficiency	FN-H2835-240	240pcs/m	24VDC	21.6 W/m	90+	2981 lm/m	1341 lm/m	33.3mm	7m	14 mm
				95+	2765 lm/m	1244 lm/m				
	FN-H28350-240	240pcs/m	24VDC	36 W/m	90+	5796 lm/m	2608 lm/m	33.3mm	2.5m	12 mm
	FN-H28350-288	288pcs/m	24VDC	43.2 W/m	90+	6955 lm/m	3130 lm/m	27.8mm	2m	12 mm

Remark: The tested data based on silver finish in 4000K, CRI 90+ light source.

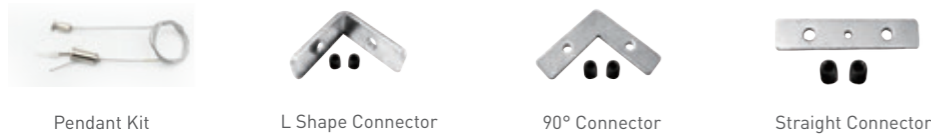


PENDANT SERIES

► SL903885



ACCESSORIES



Installation: Surface Mounted
 Length Available: 1-3m
 Profile Color: Silver, Black Anodized, White Powder Coating
 Lens: Opal, Diffuser, Clear
 Input Cable: Endcaps, Profile Bottom, Profile Sides
 Quick Female/Male Connectors Input cable & Junction Box available

PENDANT SERIES

► SL903885

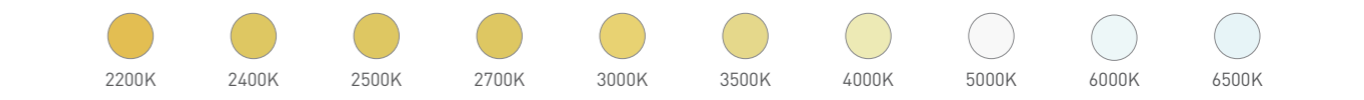
ORDERING CODE

Luminaire	Finish	Lens	Vol.	Power	CRI	CCT	Input Cable	Connector	Wiring
SL903885	W White	D Diffuser	24 24VDC	38.88W/m	90	22-2200K , 24-2400K , 25-2500K 27-2700K , 30-3000K , 35-3500K 40-4000K , 50-5000K , 65-6500K	01 - Black&Red 22AWG	A - AMP male/female	B - Through profile back
	B Black	O Opal		51.84W/m	90+				
	S Silver	C Clear	57.60W/m	95	22-2200K , 25-2500K , 27-2700K 30-3000K , 35-3500K , 40-4000K 50-5000K , 65-6500K	02 - Black&White 22AWG	M - Molex male/female	E - Through Endcaps	
				95+					
				TW	Tunable White - check your executive sales	03 - White PU protected 2 pin	D - DC male/female	S - Through profile side	
				D2W	Dim To Warm - check your executive sales	04 - 3Pin cable for Tunable white			

RECOMMENDED LIGHT SOURCE

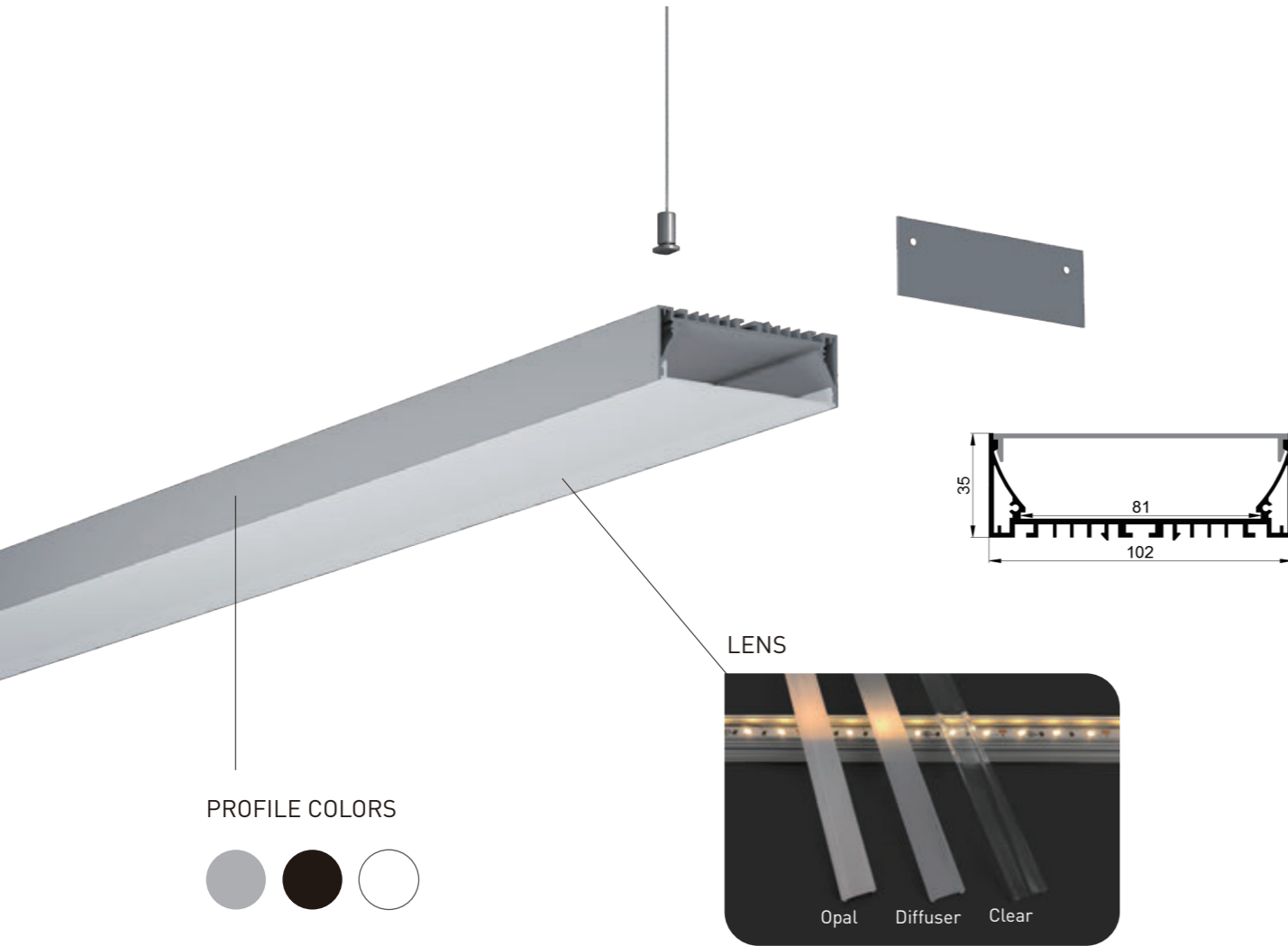
Performance	Part Code	Led Qty	Input Vol.	Power	CRI	Light Source Lumen	Diffuser Lens Lumen	Cutttable length	Max Run	Pcb Width
General	FN-2835T-432	432pcs/m	24VDC	51.84W/m	90+	5443 lm/m	2449 lm/m	55.56mm	5m	28mm
					95+	4614 lm/m	2076 lm/m			
High Efficiency	FN-H28350-320	320pcs/m	24VDC	57.60 W/m	90+	9100 lm/m	4095 lm/m	50mm	2m	56mm
	FN-2835T-432	432pcs/m	24VDC	38.88W/m	90+	5365 lm/m	2414 lm/m	18.5mm	5m	28mm
				95+	4977 lm/m	2240 lm/m				

Remark: The tested data based on silver finish in 4000K, CRI 90+ light source.



PENDANT SERIES

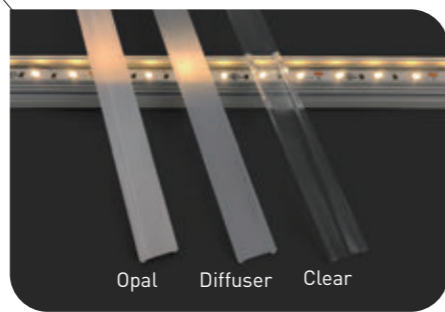
► SL1023581



PROFILE COLORS



LENS



ACCESSORIES



Pendant Kit



L Shape Connector



90° Connector



Straight Connector



Installation: Surface Mounted
 Length Available: 1-3m
 Profile Color: Silver, Black Anodized, White Powder Coating
 Lens: Opal, Diffuser, Clear
 Input Cable: Endcaps, Profile Bottom, Profile Sides
 Quick Female/Male Connectors Input cable & Junction Box available

PENDANT SERIES

► SL1023581

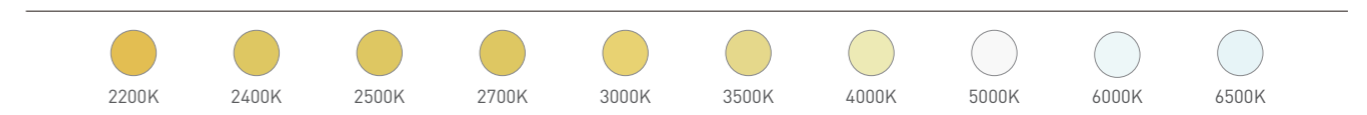
ORDERING CODE

Luminaire	Finish	Lens	Vol.	Power	CRI	CCT	Input Cable	Connector	Wiring
SL1023581	W White	D Diffuser	24 24VDC	38.88W/m	90	22-2200K , 24-2400K , 25-2500K 27-2700K , 30-3000K , 35-3500K 40-4000K , 50-5000K , 65-6500K	01 - Black&Red 22AWG 02 - Black&White 22AWG 03 - White PU protected 2 pin 04 - 3Pin cable for Tunable white	A - AMP male/female M - Molex male/female D - DC male/female	B - Through profile back E - Through Endcaps S - Through profile side
	B Black	O Opal		51.84W/m	90+				
	S Silver	C Clear		57.60W/m	95	22-2200K , 25-2500K , 27-2700K 30-3000K , 35-3500K , 40-4000K 50-5000K , 65-6500K			
					95+				
					TW	Tunable White - check your executive sales			
					D2W	Dim To Warm - check your executive sales			

RECOMMENDED LIGHT SOURCE

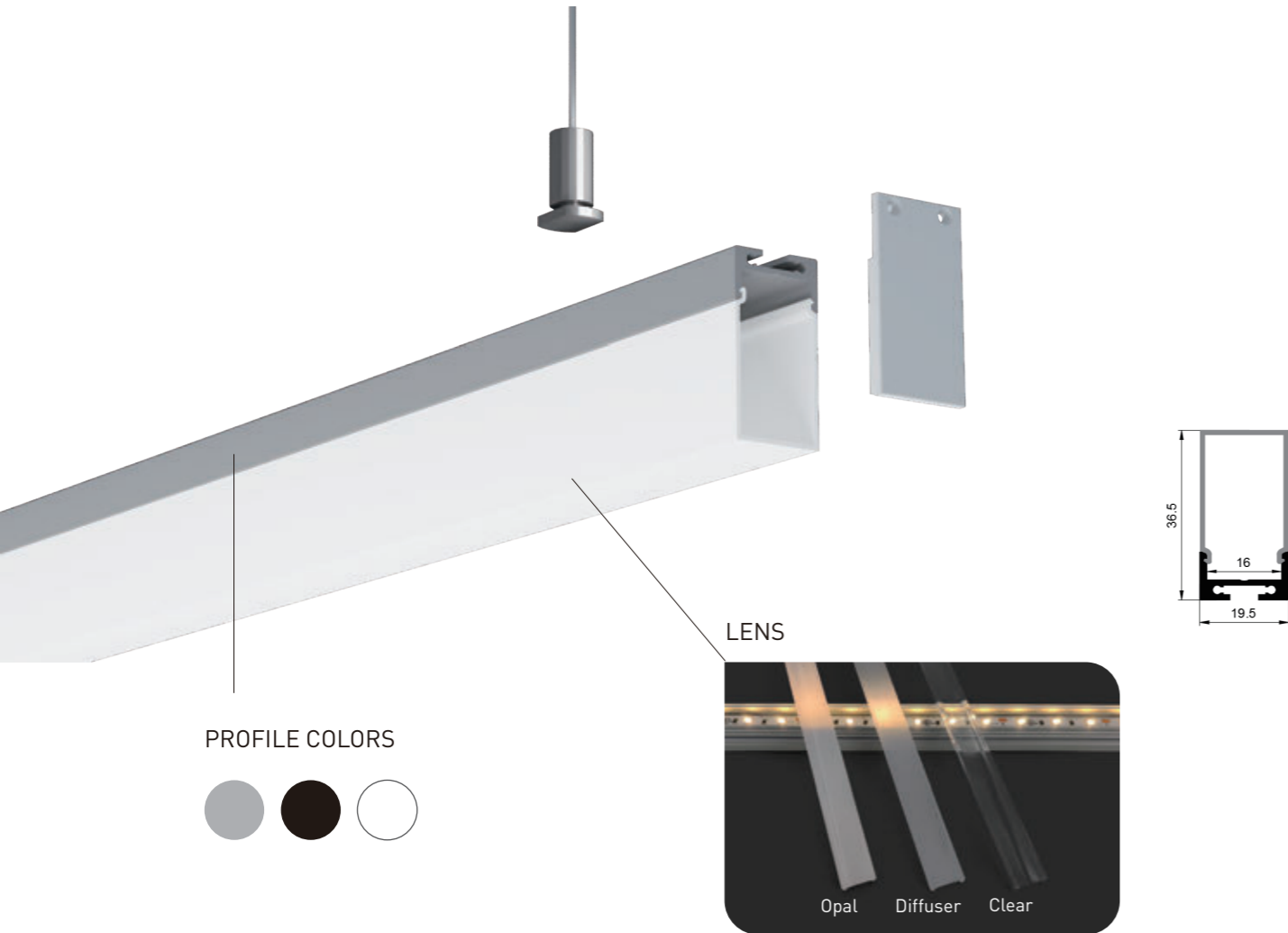
Performance	Part Code	Led Qty	Input Vol.	Power	CRI	Light Source Lumen	Diffuser Lens Lumen	Cutttable length	Max Run	Pcb Width
General	FN-2835T-432	432pcs/m	24VDC	51.84W/m	90+	5443 lm/m	2449 lm/m	55.56mm	5m	28mm
					95+	4614 lm/m	2076 lm/m			
High Efficiency	FN-H28350-320	320pcs/m	24VDC	57.60 W/m	90+	9100 lm/m	4095 lm/m	50mm	2m	56mm
	FN-2835T-432	432pcs/m	24VDC	38.88W/m	90+	5365 lm/m	2414 lm/m	18.5mm	5m	28mm
					95+	4977 lm/m	2240 lm/m			

Remark: The tested data based on silver finish in 4000K, CRI 90+ light source.



PENDANT SERIES

► SL2119C16



PROFILE COLORS



ACCESSORIES



Pendant Kit



Installation: Surface Mounted
 Length Available: 1-3m
 Profile Color: Silver, Black Anodized, White Powder Coating
 Lens: Opal, Diffuser, Clear
 Input Cable: Endcaps, Profile Bottom, Profile Sides
 Quick Female/Male Connectors Input cable & Junction Box available

PENDANT SERIES

► SL2119C16

ORDERING CODE

Luminaire	Finish	Lens	Vol.	Power	CRI	CCT	Input Cable	Connector	Wiring
SL2119C16	W White	D Diffuser	12	2.40W/m	90 90+	22-2200K , 24-2400K , 25-2500K 27-2700K , 30-3000K , 35-3500K 40-4000K , 50-5000K , 65-6500K	01 - Black&Red 22AWG	A - AMP male/female	B - Through profile back
			12VDC	5.04W/m					
	B Black	O Opal	24	5.18W/m	95 95+	22-2200K , 25-2500K , 27-2700K 30-3000K , 35-3500K , 40-4000K 50-5000K , 65-6500K	02 - Black&White 22AWG	M - Molex male/female	E - Through Endcaps
			24VDC	5.76W/m					
	S Silver	C Clear	36	6.00W/m	TW	Tunable White - check your executive sales	03 - White PU protected 2 pin	D - DC male/female	S - Through profile side
			36VDC	7.68W/m					
			48	11.52W/m	D2W	Dim To Warm - check your executive sales	04 - 3Pin cable for Tunable white		
			48	14.40W/m					
			48VDC	21.60W/m					
				24.00W/m					
				28.80W/m					

RECOMMENDED LIGHT SOURCE

Performance	Part Code	Led Qty	Input Vol.	Power	CRI	Light Source Lumen	Diffuser Lens Lumen	Cutttable length	Max Run	Pcb Width
General	FN-2835T-60	60pcs/m	12/24VDC	14.40 W/m	90+	1440 lm/m	1022 lm/m	12V=25mm 24V=100mm	12V=5m 24V=9m	10 mm
					95+	1238 lm/m	879 lm/m			
High Efficiency	FN-H2835T-64	64pcs/m	24VDC	7.68 W/m	90+	1029 lm/m	731 lm/m	125mm	5m	10 mm
				95+	968 lm/m	687 lm/m				
	FN-H28350-80	80pcs/m	24VDC	14.40W/m	90+	2275 lm/m	1615 lm/m	100mm	4m	10 mm
Long Run	LN-2835T-60	60pcs/m	24VDC	5.04 W/m	90+	499 lm/m	354 lm/m	100mm	21m	10mm
					95+	413 lm/m	293 lm/m			
				2.4 W/m	90+	230 lm/m	163 lm/m	100mm	50m	10 mm
					95+	190 lm/m	135 lm/m			
	LN-2835T-56	56pcs/m	48VDC	5.76 W/m	90+	668 lm/m	474 lm/m	250mm	35m	10 mm
				95+	553 lm/m	393 lm/m				
Short Cut	FN-F2835A-60	60pcs/m	12VDC	14.4 W/m	90+	1239 lm/m	838 lm/m	33.3mm	5.5m	10 mm
					95+	979lm/m	695 lm/m			

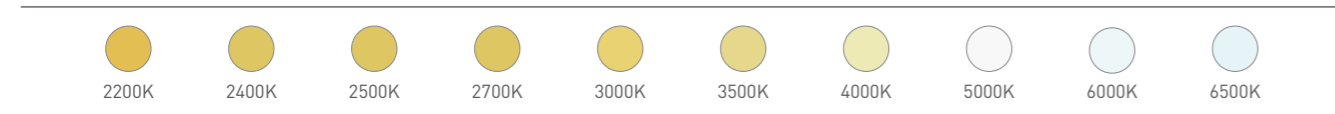
PENDANT SERIES

► SL2119C16

RECOMMENDED LIGHT SOURCE

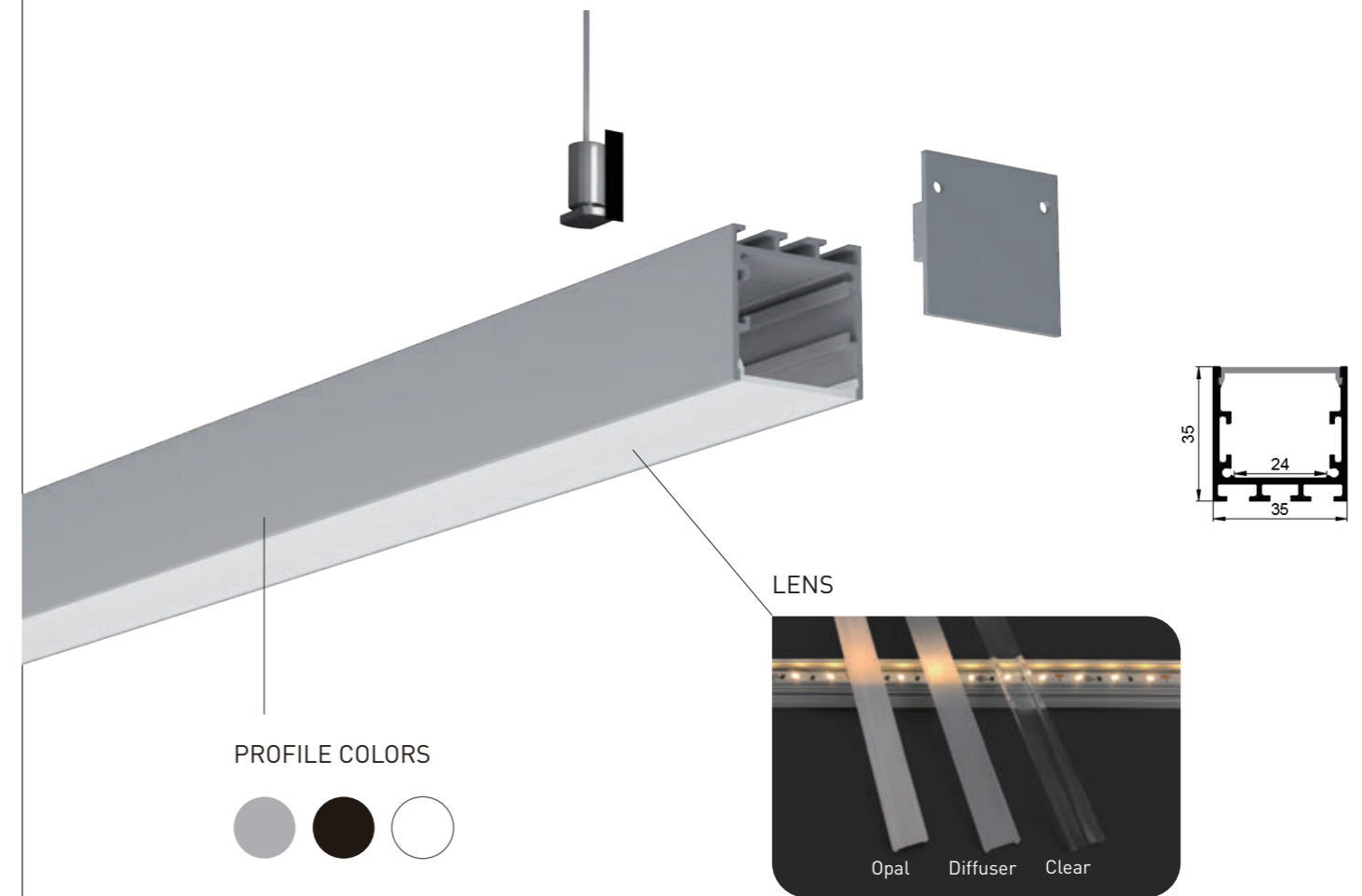
Performance	Part Code	Led Qty	Input Vol.	Power	CRI	Light Source Lumen	Diffuser Lens Lumen	Cutttable length	Max Run	Pcb Width
General	FN-2835T-120	120pcs/m	12/24VDC	14.40 W/m	90+	1512 lm/m	1074 lm/m	12V=25mm 24V=50mm	12V=5m 24V=9m	10 mm
					95+	1282 lm/m	910 lm/m			
High Efficiency	FN-H2835T-128	128pcs/m	24VDC	11.52 W/m	90+	1613 lm/m	1145 lm/m	24V=62.5mm	24V=6m	10 mm
				95+	1475 lm/m	1047 lm/m				
	FN-H28350-160	160pcs/m	24VDC	24 W/m	90+	3480 lm/m	2743 lm/m	50mm	3m	10 mm
	FN-H2835T-160	160pcs/m	24VDC	14.40 W/m	90+	1987 lm/m	1411 lm/m	24V=50mm	24V=5m	10 mm
				95+	1843 lm/m	1309 lm/m				
FN-H28350-192	192pcs/m	24VDC	28.8 W/m	90+	4176 lm/m	3292 lm/m	41.7mm	2.5m	10 mm	
Long Run	LN-H2835T-80	80pcs/m	36VDC	5.18W/m	90+	580 lm/m	412 lm/m	100mm	50m	10 mm
				95+	482 lm/m	342 lm/m				
	LN-H2835T-112	112pcs/m	48VDC	11.52 W/m	90+	1336 lm/m	949 lm/m	125mm	25m	10 mm
				95+	1106 lm/m	785 lm/m				
	LN-H2835T-120	120pcs/m	24VDC	6.00 W/m	90+	588 lm/m	417 lm/m	50mm	21m	10 mm
				95+	486 lm/m	345 lm/m				
Short Cut	FN-F2835A-120	120pcs/m	12VDC	21.60 W/m	90+	1922 lm/m	1365 lm/m	16.7mm	3.5m	10 mm
					95+	1595 lm/m	1133 lm/m			

Remark: 1. The tested data based on silver finish in 4000K, CRI 90+ light source. 2. LN-H2835T-80 is good for long run, but it will show light spot.



PENDANT SERIES

► SL3535D24



ACCESSORIES



Pendant Kit



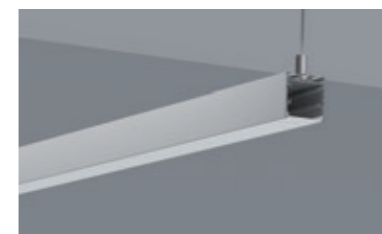
L Shape Connector



90° Connector



Straight Connector



Installation: Surface Mounted
 Length Available: 1-3m
 Profile Color: Silver, Black Anodized, White Powder Coating
 Lens: Opal, Diffuser, Clear
 Input Cable: Endcaps, Profile Bottom, Profile Sides
 Quick Female/Male Connectors Input cable & Junction Box available

PENDANT SERIES

► SL3535D24

PENDANT SERIES

► SL3535D24

ORDERING CODE

Luminaire	Finish	Lens	Vol.	Power	CRI	CCT	Input Cable	Connector	Wiring
SL3535D24	W White	D Diffuser	12 12VDC	2.40W/m	90 90+	22-2200K , 24-2400K , 25-2500K 27-2700K , 30-3000K , 35-3500K 40-4000K , 50-5000K , 65-6500K	01 - Black&Red 22AWG	A - AMP male/female	B - Through profile back
				5.04W/m					
				24 24VDC					
	B Black	O Opal	24 24VDC	5.18W/m	95 95+	22-2200K , 25-2500K , 27-2700K 30-3000K , 35-3500K , 40-4000K 50-5000K , 65-6500K	02 - Black&White 22AWG	M - Molex male/female	E - Through Endcaps
				5.76W/m					
				36 36VDC					
	S Silver	C Clear	36 36VDC	6.00W/m	TW	Tunable White - check your executive sales	03 - White PU protected 2 pin	D - DC male/female	S - Through profile side
				7.68W/m					
				48 48VDC					
				11.52W/m	D2W	Dim To Warm - check your executive sales	04 - 3Pin cable for Tunable white		
				14.40W/m					
				21.60W/m					
			24.00W/m						
			28.80W/m						

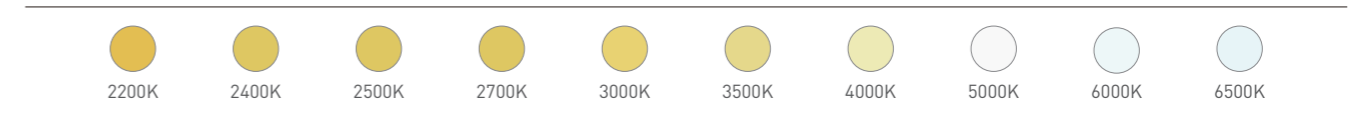
RECOMMENDED LIGHT SOURCE

Performance	Part Code	Led Qty	Input Vol.	Power	CRI	Light Source Lumen	Diffuser Lens Lumen	Cutttable length	Max Run	Pcb Width
General	FN-2835T-60	60pcs/m	12/24VDC	14.40 W/m	90+	1440 lm/m	648 lm/m	12V=25mm 24V=100mm	12V=5m 24V=9m	10 mm
					95+	1238 lm/m	557 lm/m			
High Efficiency	FN-H2835T-64	64pcs/m	24VDC	7.68 W/m	90+	1029 lm/m	463 lm/m	125mm	5m	10 mm
					95+	968 lm/m	436 lm/m			
	FN-H28350-80	80pcs/m	24VDC	14.40W/m	90+	2275 lm/m	1024 lm/m	100mm	4m	10 mm
Long Run	LN-2835T-60	60pcs/m	24VDC	5.04 W/m	90+	499 lm/m	225 lm/m	100mm	21m	10mm
					95+	413 lm/m	186 lm/m			
				2.4 W/m	90+	230 lm/m	104 lm/m	100mm	50m	10 mm
					95+	190 lm/m	86 lm/m			
LN-2835T-56	56pcs/m	48VDC	5.76 W/m	90+	668 lm/m	301 lm/m	250mm	35m	10 mm	
				95+	553 lm/m	249 lm/m				
Short Cut	FN-F2835A-60	60pcs/m	12VDC	14.4 W/m	90+	1239 lm/m	531 lm/m	33.3mm	5.5m	10 mm
					95+	979lm/m	441 lm/m			

RECOMMENDED LIGHT SOURCE

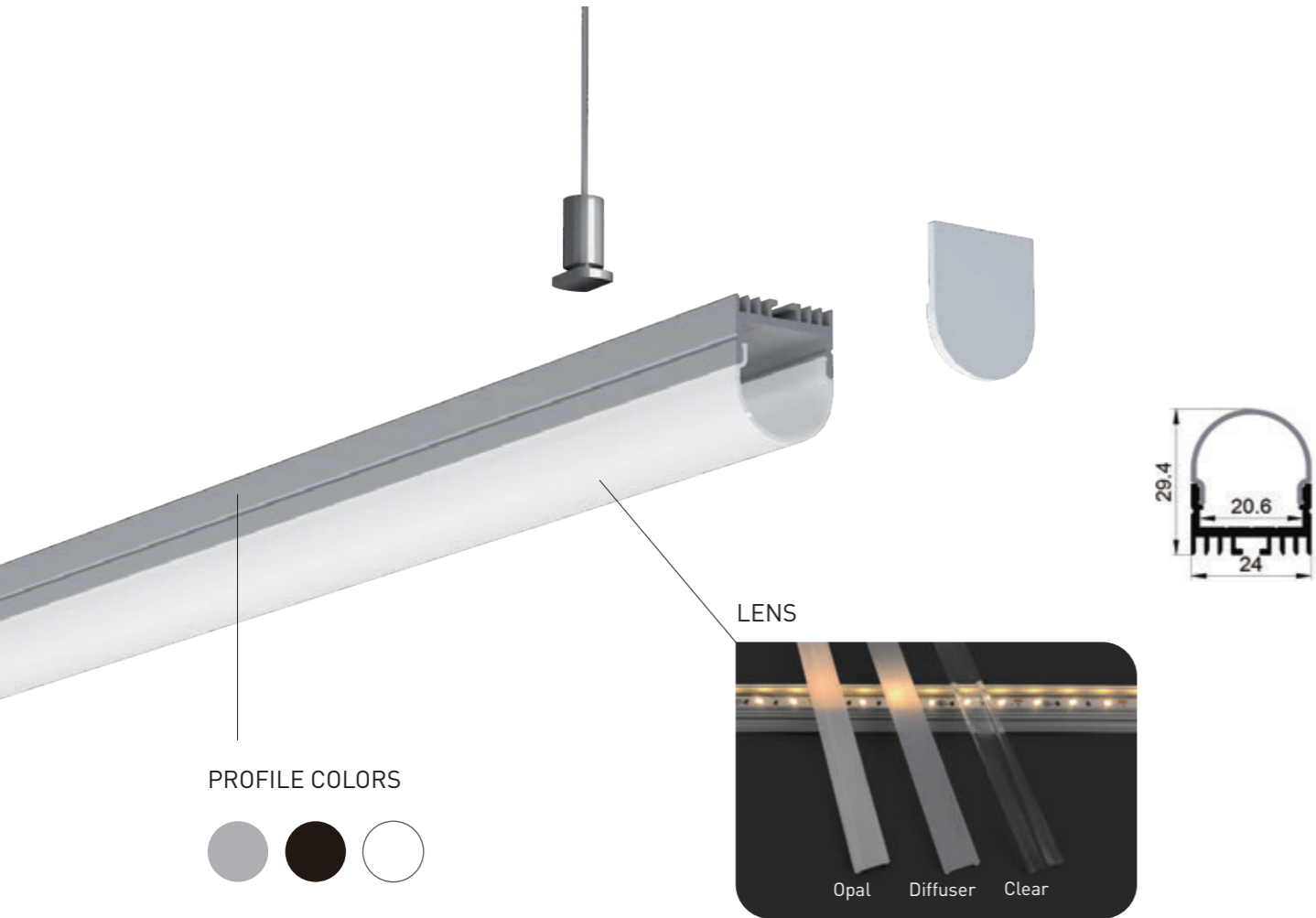
Performance	Part Code	Led Qty	Input Vol.	Power	CRI	Light Source Lumen	Diffuser Lens Lumen	Cutttable length	Max Run	Pcb Width				
General	FN-2835T-120	120pcs/m	12/24VDC	14.40 W/m	90+	1512 lm/m	680 lm/m	12V=25mm 24V=50mm	12V=5m 24V=9m	10 mm				
					95+	1282 lm/m	577 lm/m							
High Efficiency	FN-H2835T-128	128pcs/m	24VDC	11.52 W/m	90+	1613 lm/m	726 lm/m	24V=62.5mm	24V=6m	10 mm				
					95+	1475 lm/m	664 lm/m							
	FN-H28350-160	160pcs/m	24VDC	24 W/m	90+	3480 lm/m	1739 lm/m	50mm	3m	10 mm				
					FN-H2835T-160	160pcs/m	24VDC	14.40 W/m	90+	1987 lm/m	894 lm/m	24V=50mm	24V=5m	10 mm
									95+	1843 lm/m	829 lm/m			
FN-H28350-192	192pcs/m	24VDC	28.8 W/m	90+	4176 lm/m	2086 lm/m	41.7mm	2.5m	10 mm					
				LN-H2835T-80	80pcs/m	36VDC	5.18W/m	90+	580 lm/m	261 lm/m	100mm	50m	10 mm	
								95+	482 lm/m	217 lm/m				
Long Run	LN-H2835T-112	112pcs/m	48VDC	11.52 W/m	90+	1336 lm/m	601 lm/m	125mm	25m	10 mm				
					95+	1106 lm/m	498 lm/m							
	LN-H2835T-120	120pcs/m	24VDC	6.00 W/m	90+	588 lm/m	265 lm/m	50mm	21m	10 mm				
					95+	486 lm/m	219 lm/m							
Short Cut	FN-F2835A-120	120pcs/m	12VDC	21.60 W/m	90+	1922 lm/m	865 lm/m	16.7mm	3.5m	10 mm				
					95+	1595 lm/m	718 lm/m							

Remark: 1. The tested data based on siliver finish in 4000K, CRI 90+ light source. 2. LN-H2835T-80 is good for long run, but it will show light spot.



PENDANT SERIES

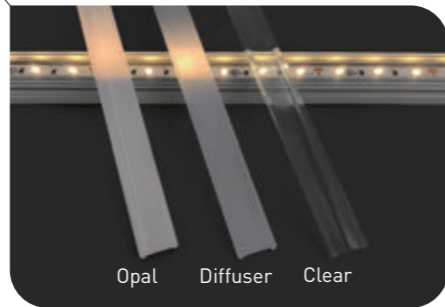
► SL2318B20



PROFILE COLORS



LENS



ACCESSORIES



Pendant Kit



Installation: Surface Mounted
 Length Available: 1-3m
 Profile Color: Silver, Black Anodized, White Powder Coating
 Lens: Opal, Diffuser, Clear
 Input Cable: Endcaps, Profile Bottom, Profile Sides
 Quick Female/Male Connectors Input cable & Junction Box available

PENDANT SERIES

► SL2318B20

ORDERING CODE

Luminaire	Finish	Lens	Vol.	Power	CRI	CCT	Input Cable	Connector	Wiring
SL2318B20	W White	D Diffuser	12 12VDC	2.40W/m	90 90+	22-2200K , 24-2400K , 25-2500K 27-2700K , 30-3000K , 35-3500K 40-4000K , 50-5000K , 65-6500K	01 - Black&Red 22AWG	A - AMP male/female	B - Through profile back
			24 24VDC	5.04W/m					
	B Black	O Opal	24 24VDC	5.18W/m	95 95+	22-2200K , 25-2500K , 27-2700K 30-3000K , 35-3500K , 40-4000K 50-5000K , 65-6500K	02 - Black&White 22AWG	M - Molex male/female	E - Through Endcaps
			36 36VDC	5.76W/m					
	S Silver	C Clear	48 48VDC	6.00W/m	TW	Tunable White - check your executive sales	03 - White PU protected 2 pin	D - DC male/female	S - Through profile side
			48 48VDC	7.68W/m					
				11.52W/m	D2W	Dim To Warm - check your executive sales	04 - 3Pin cable for Tunable white		
				14.40W/m					
				21.60W/m					
				24.00W/m					
			28.80W/m						

RECOMMENDED LIGHT SOURCE

Performance	Part Code	Led Qty	Input Vol.	Power	CRI	Light Source Lumen	Diffuser Lens Lumen	Cutttable length	Max Run	Pcb Width
General	FN-2835T-60	60pcs/m	12/24VDC	14.40 W/m	90+	1440 lm/m	1022 lm/m	12V=25mm 24V=100mm	12V=5m 24V=9m	10 mm
					95+	1238 lm/m	879 lm/m			
High Efficiency	FN-H2835T-64	64pcs/m	24VDC	7.68 W/m	90+	1029 lm/m	731 lm/m	125mm	5m	10 mm
	95+	968 lm/m	687 lm/m							
	FN-H28350-80	80pcs/m	24VDC	14.40W/m	90+	2275 lm/m	1615 lm/m	100mm	4m	10 mm
Long Run	LN-2835T-60	60pcs/m	24VDC	5.04 W/m	90+	499 lm/m	354 lm/m	100mm	21m	10mm
					95+	413 lm/m	293 lm/m			
	2.4 W/m	90+	230 lm/m	163 lm/m	100mm	50m	10 mm			
		95+	190 lm/m	135 lm/m						
LN-2835T-56	56pcs/m	48VDC	5.76 W/m	90+	668 lm/m	474 lm/m	250mm	35m	10 mm	
				95+	553 lm/m	393 lm/m				
Short Cut	FN-F2835A-60	60pcs/m	12VDC	14.4 W/m	90+	1239 lm/m	838 lm/m	33.3mm	5.5m	10 mm
					95+	979lm/m	695 lm/m			

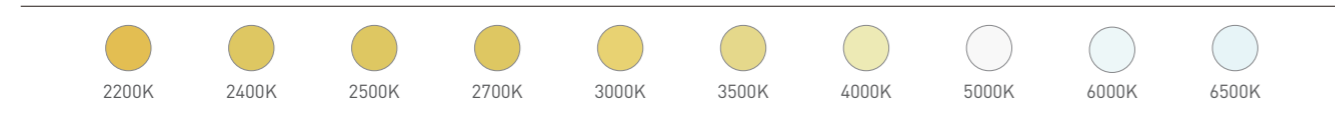
PENDANT SERIES

► SL2318B20

RECOMMENDED LIGHT SOURCE

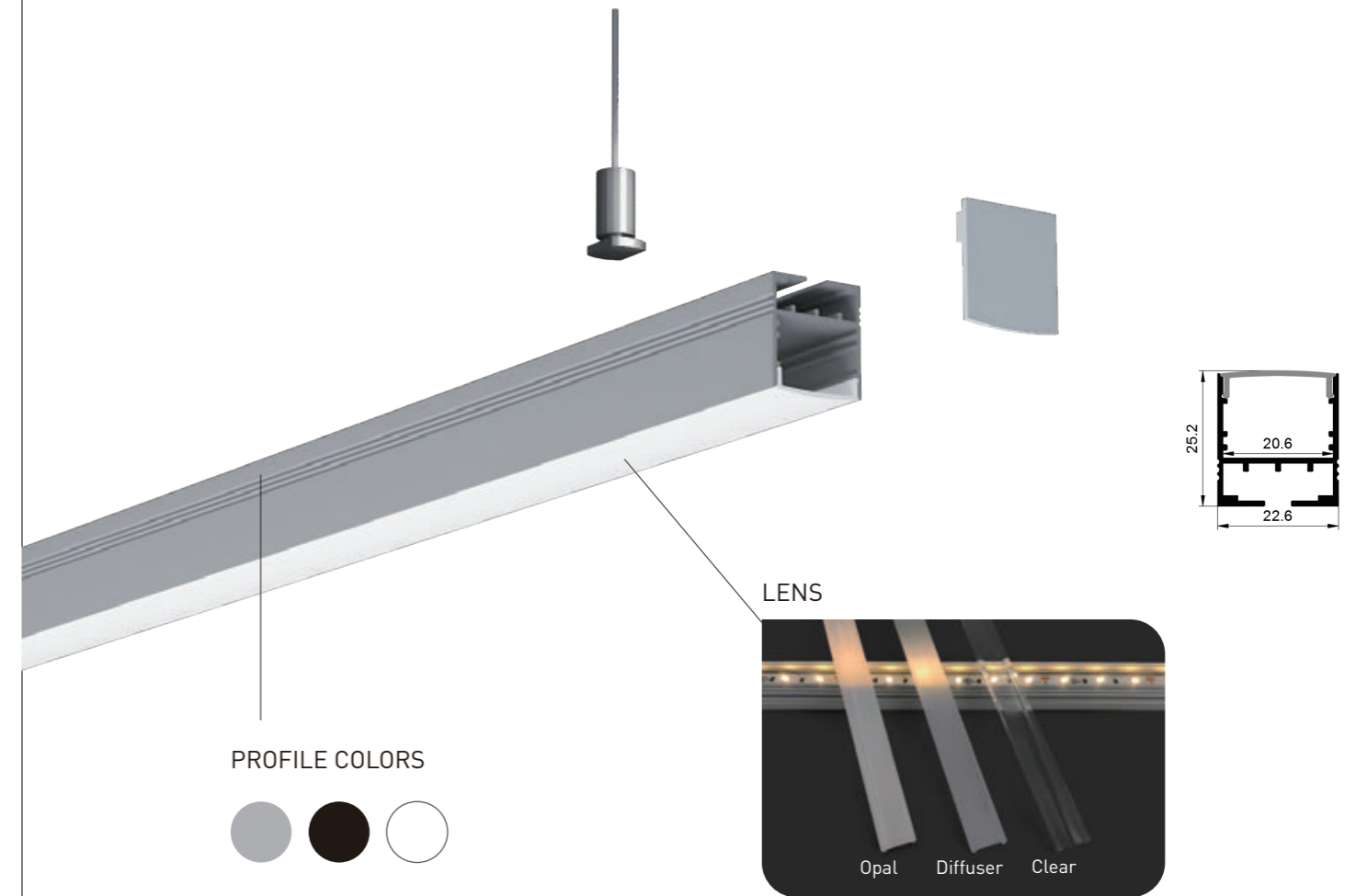
Performance	Part Code	Led Qty	Input Vol.	Power	CRI	Light Source Lumen	Diffuser Lens Lumen	Cutttable length	Max Run	Pcb Width
General	FN-2835T-120	120pcs/m	12/24VDC	14.40 W/m	90+	1512 lm/m	1074 lm/m	12V=25mm 24V=50mm	12V=5m 24V=9m	10 mm
					95+	1282 lm/m	910 lm/m			
High Efficiency	FN-H2835T-128	128pcs/m	24VDC	11.52 W/m	90+	1613 lm/m	1145 lm/m	24V=62.5mm	24V=6m	10 mm
				95+	1475 lm/m	1047 lm/m				
	FN-H28350-160	160pcs/m	24VDC	24 W/m	90+	3480 lm/m	2743 lm/m	50mm	3m	10 mm
	FN-H2835T-160	160pcs/m	24VDC	14.40 W/m	90+	1987 lm/m	1411 lm/m	24V=50mm	24V=5m	10 mm
				95+	1843 lm/m	1309 lm/m				
FN-H28350-192	192pcs/m	24VDC	28.8 W/m	90+	4176 lm/m	3292 lm/m	41.7mm	2.5m	10 mm	
Long Run	LN-H2835T-80	80pcs/m	36VDC	5.18W/m	90+	580 lm/m	412 lm/m	100mm	50m	10 mm
					95+	482 lm/m	342 lm/m			
	LN-H2835T-112	112pcs/m	48VDC	11.52 W/m	90+	1336 lm/m	949 lm/m	125mm	25m	10 mm
					95+	1106 lm/m	785 lm/m			
	LN-H2835T-120	120pcs/m	24VDC	6.00 W/m	90+	588 lm/m	417 lm/m	50mm	21m	10 mm
					95+	486 lm/m	345 lm/m			
Short Cut	FN-F2835A-120	120pcs/m	12VDC	21.60 W/m	90+	1922 lm/m	1365 lm/m	16.7mm	3.5m	10 mm
					95+	1595 lm/m	1133 lm/m			

Remark: 1. The tested data based on silver finish in 4000K, CRI 90+ light source. 2. LN-H2835T-80 is good for long run, but it will show light spot.



PENDANT SERIES

► SL232520



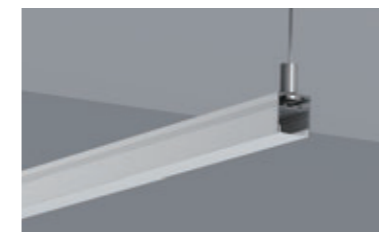
PROFILE COLORS



ACCESSORIES



Pendant Kit



Installation: Surface Mounted
 Length Available: 1-3m
 Profile Color: Silver, Black Anodized, White Powder Coating
 Lens: Opal, Diffuser, Clear
 Input Cable: Endcaps, Profile Bottom, Profile Sides
 Quick Female/Male Connectors Input cable & Junction Box available

PENDANT SERIES

► SL232520

PENDANT SERIES

► SL232520

ORDERING CODE

Luminaire	Finish	Lens	Vol.	Power	CRI	CCT	Input Cable	Connector	Wiring
SL232520	W White	D Diffuser	12 12VDC	2.40W/m	90 90+	22-2200K , 24-2400K , 25-2500K 27-2700K , 30-3000K , 35-3500K 40-4000K , 50-5000K , 65-6500K	01 - Black&Red 22AWG	A - AMP male/female	B - Through profile back
				5.04W/m					
	B Black	O Opal	24 24VDC	5.18W/m	95 95+	22-2200K , 25-2500K , 27-2700K 30-3000K , 35-3500K , 40-4000K 50-5000K , 65-6500K	02 - Black&White 22AWG	M - Molex male/female	E - Through Endcaps
				5.76W/m					
	S Silver	C Clear	36 36VDC	6.00W/m	TW	Tunable White - check your executive sales	03 - White PU protected 2 pin	D - DC male/female	S - Through profile side
				7.68W/m					
				11.52W/m	D2W	Dim To Warm - check your executive sales	04 - 3Pin cable for Tunable white		
				14.40W/m					
				21.60W/m					
				24.00W/m					
			28.80W/m						

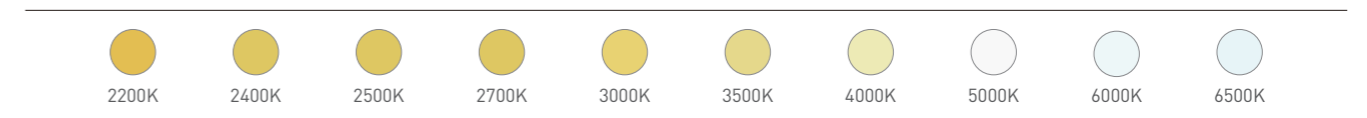
RECOMMENDED LIGHT SOURCE

Performance	Part Code	Led Qty	Input Vol.	Power	CRI	Light Source Lumen	Diffuser Lens Lumen	Cutttable length	Max Run	Pcb Width
General	FN-2835T-60	60pcs/m	12/24VDC	14.40 W/m	90+	1440 lm/m	648 lm/m	12V=25mm 24V=100mm	12V=5m 24V=9m	10 mm
					95+	1238 lm/m	557 lm/m			
High Efficiency	FN-H2835T-64	64pcs/m	24VDC	7.68 W/m	90+	1029 lm/m	463 lm/m	125mm	5m	10 mm
					95+	968 lm/m	436 lm/m			
	FN-H28350-80	80pcs/m	24VDC	14.40W/m	90+	2275 lm/m	1024 lm/m	100mm	4m	10 mm
Long Run	LN-2835T-60	60pcs/m	24VDC	5.04 W/m	90+	499 lm/m	225 lm/m	100mm	21m	10mm
					95+	413 lm/m	186 lm/m			
				2.4 W/m	90+	230 lm/m	104 lm/m	100mm	50m	10 mm
					95+	190 lm/m	86 lm/m			
Short Cut	FN-F2835A-60	60pcs/m	12VDC	14.4 W/m	90+	1239 lm/m	531 lm/m	33.3mm	5.5m	10 mm
					95+	979lm/m	441 lm/m			

RECOMMENDED LIGHT SOURCE

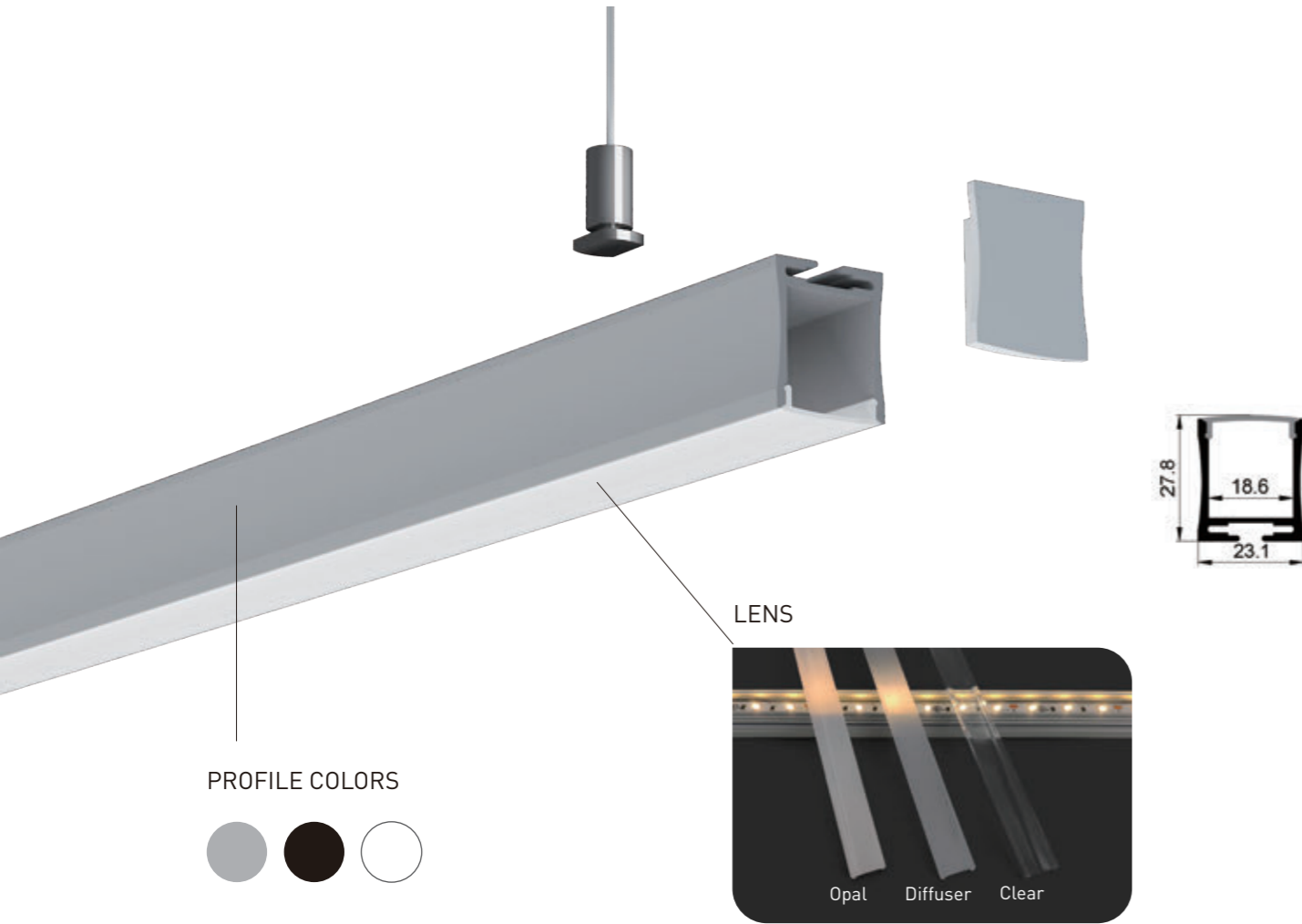
Performance	Part Code	Led Qty	Input Vol.	Power	CRI	Light Source Lumen	Diffuser Lens Lumen	Cutttable length	Max Run	Pcb Width				
General	FN-2835T-120	120pcs/m	12/24VDC	14.40 W/m	90+	1512 lm/m	680 lm/m	12V=25mm 24V=50mm	12V=5m 24V=9m	10 mm				
					95+	1282 lm/m	577 lm/m							
High Efficiency	FN-H2835T-128	128pcs/m	24VDC	11.52 W/m	90+	1613 lm/m	726 lm/m	24V=62.5mm	24V=6m	10 mm				
					95+	1475 lm/m	664 lm/m							
	FN-H28350-160	160pcs/m	24VDC	24 W/m	90+	3480 lm/m	1739 lm/m	50mm	3m	10 mm				
					95+	1987 lm/m	894 lm/m	24V=50mm	24V=5m	10 mm				
FN-H2835T-160	160pcs/m	24VDC	14.40 W/m	90+	1843 lm/m	829 lm/m	24V=50mm	24V=5m	10 mm					
				95+	1843 lm/m	829 lm/m								
Long Run	FN-H28350-192	192pcs/m	24VDC	28.8 W/m	90+	4176 lm/m	2086 lm/m	41.7mm	2.5m	10 mm				
					90+	580 lm/m	261 lm/m	100mm	50m	10 mm				
	95+	482 lm/m	217 lm/m											
Short Cut	LN-H2835T-80	80pcs/m	36VDC	5.18W/m	90+	1336 lm/m	601 lm/m	125mm	25m	10 mm				
					95+	1106 lm/m	498 lm/m							
					LN-H2835T-112	112pcs/m	48VDC	11.52 W/m	90+	588 lm/m	265 lm/m	50mm	21m	10 mm
									95+	486 lm/m	219 lm/m			
Short Cut	FN-F2835A-120	120pcs/m	12VDC	21.60 W/m	90+	1922 lm/m	865 lm/m	16.7mm	3.5m	10 mm				
					95+	1595 lm/m	718 lm/m							

Remark: 1. The tested data based on siliver finish in 4000K, CRI 90+ light source. 2. LN-H2835T-80 is good for long run, but it will show light spot.



PENDANT SERIES

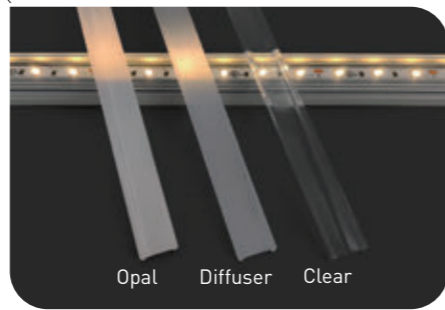
► SL222718



PROFILE COLORS



LENS



ACCESSORIES



Pendant Kit



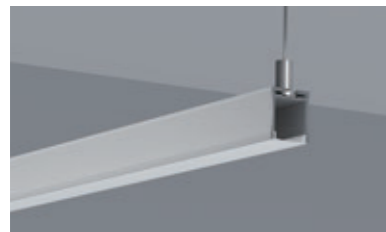
L Shape Connector



90° Connector



Straight Connector



Installation: Surface Mounted
 Length Available: 1-3m
 Profile Color: Silver, Black Anodized, White Powder Coating
 Lens: Opal, Diffuser, Clear
 Input Cable: Endcaps, Profile Bottom, Profile Sides
 Quick Female/Male Connectors Input cable & Junction Box available

PENDANT SERIES

► SL222718

ORDERING CODE

Luminaire	Finish	Lens	Vol.	Power	CRI	CCT	Input Cable	Connector	Wiring
SL222718	W White	D Diffuser	12 12VDC	2.40W/m	90 90+	22-2200K , 24-2400K , 25-2500K 27-2700K , 30-3000K , 35-3500K 40-4000K , 50-5000K , 65-6500K	01 - Black&Red 22AWG	A - AMP male/female	B - Through profile back
				5.04W/m					
	B Black	O Opal	24 24VDC	5.18W/m	95 95+	22-2200K , 25-2500K , 27-2700K 30-3000K , 35-3500K , 40-4000K 50-5000K , 65-6500K	02 - Black&White 22AWG	M - Molex male/female	E - Through Endcaps
				5.76W/m					
	S Silver	C Clear	36 36VDC	6.00W/m	TW	Tunable White - check your executive sales	03 - White PU protected 2 pin	D - DC male/female	S - Through profile side
				7.68W/m					
				11.52W/m					
				14.40W/m	D2W	Dim To Warm - check your executive sales	04 - 3Pin cable for Tunable white		
				21.60W/m					
				24.00W/m					
			28.80W/m						

RECOMMENDED LIGHT SOURCE

Performance	Part Code	Led Qty	Input Vol.	Power	CRI	Light Source Lumen	Diffuser Lens Lumen	Cutttable length	Max Run	Pcb Width
General	FN-2835T-60	60pcs/m	12/24VDC	14.40 W/m	90+	1440 lm/m	648 lm/m	12V=25mm 24V=100mm	12V=5m 24V=9m	10 mm
					95+	1238 lm/m	557 lm/m			
High Efficiency	FN-H2835T-64	64pcs/m	24VDC	7.68 W/m	90+	1029 lm/m	463 lm/m	125mm	5m	10 mm
					95+	968 lm/m	436 lm/m			
	FN-H28350-80	80pcs/m	24VDC	14.40W/m	90+	2275 lm/m	1024 lm/m	100mm	4m	10 mm
Long Run	LN-2835T-60	60pcs/m	24VDC	5.04 W/m	90+	499 lm/m	225 lm/m	100mm	21m	10mm
					95+	413 lm/m	186 lm/m			
	LN-2835T-56	56pcs/m	48VDC	5.76 W/m	90+	230 lm/m	104 lm/m	100mm	50m	10 mm
					95+	190 lm/m	86 lm/m			
Short Cut	FN-F2835A-60	60pcs/m	12VDC	14.4 W/m	90+	668 lm/m	301 lm/m	250mm	35m	10 mm
					95+	553 lm/m	249 lm/m			
					90+	1239 lm/m	531 lm/m	33.3mm	5.5m	10 mm
					95+	979lm/m	441 lm/m			

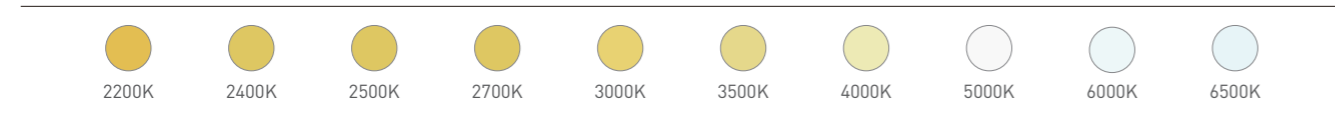
PENDANT SERIES

► SL222718

RECOMMENDED LIGHT SOURCE

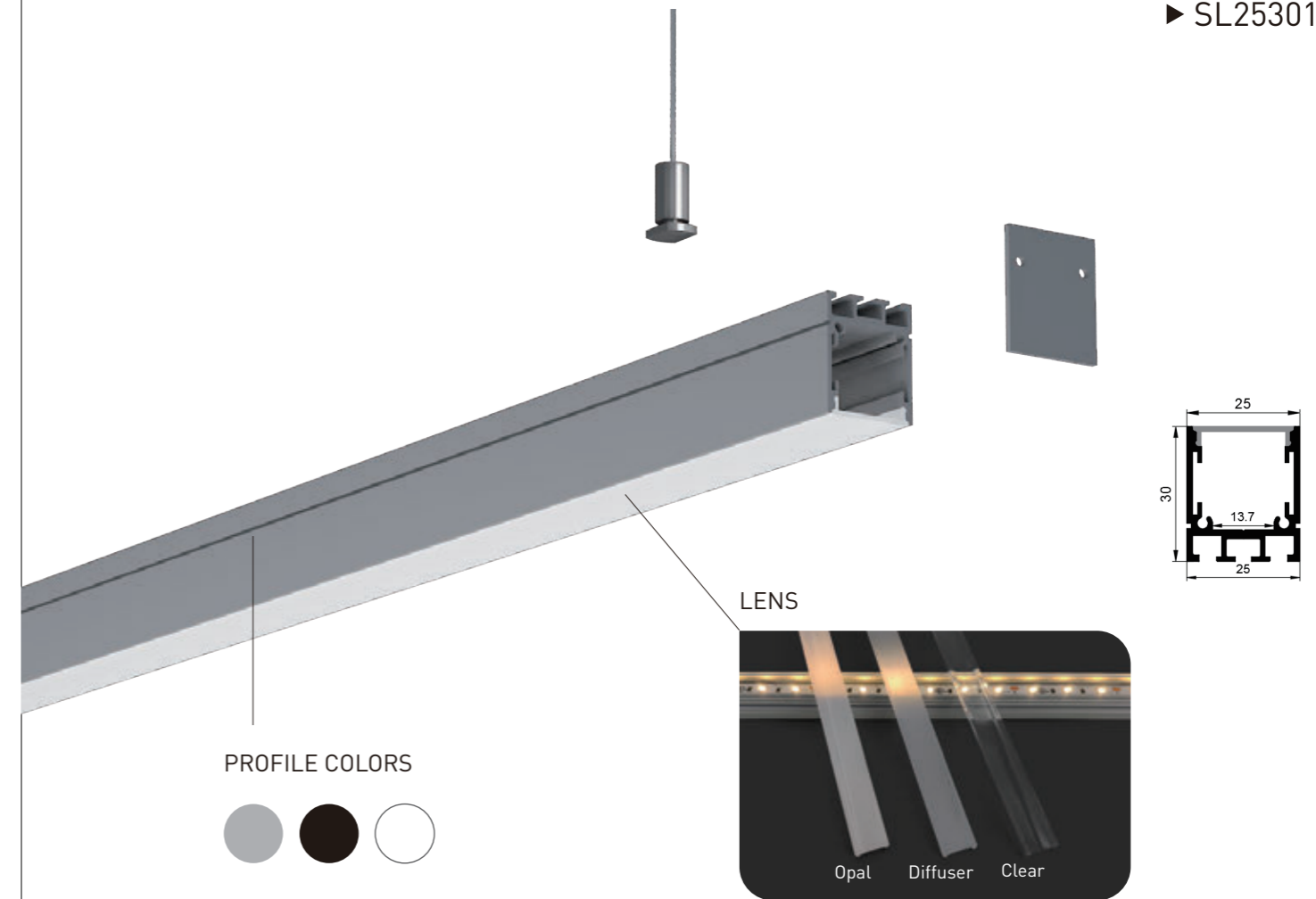
Performance	Part Code	Led Qty	Input Vol.	Power	CRI	Light Source Lumen	Diffuser Lens Lumen	Cutttable length	Max Run	Pcb Width
General	FN-2835T-120	120pcs/m	12/24VDC	14.40 W/m	90+	1512 lm/m	680 lm/m	12V=25mm 24V=50mm	12V=5m 24V=9m	10 mm
					95+	1282 lm/m	577 lm/m			
High Efficiency	FN-H2835T-128	128pcs/m	24VDC	11.52 W/m	90+	1613 lm/m	726 lm/m	24V=62.5mm	24V=6m	10 mm
				95+	1475 lm/m	664 lm/m				
	FN-H28350-160	160pcs/m	24VDC	24 W/m	90+	3480 lm/m	1739 lm/m	50mm	3m	10 mm
	FN-H2835T-160	160pcs/m	24VDC	14.40 W/m	90+	1987 lm/m	894 lm/m	24V=50mm	24V=5m	10 mm
				95+	1843 lm/m	829 lm/m				
FN-H28350-192	192pcs/m	24VDC	28.8 W/m	90+	4176 lm/m	2086 lm/m	41.7mm	2.5m	10 mm	
Long Run	LN-H2835T-80	80pcs/m	36VDC	5.18W/m	90+	580 lm/m	261 lm/m	100mm	50m	10 mm
				95+	482 lm/m	217 lm/m				
	LN-H2835T-112	112pcs/m	48VDC	11.52 W/m	90+	1336 lm/m	601 lm/m	125mm	25m	10 mm
				95+	1106 lm/m	498 lm/m				
	LN-H2835T-120	120pcs/m	24VDC	6.00 W/m	90+	588 lm/m	265 lm/m	50mm	21m	10 mm
				95+	486 lm/m	219 lm/m				
Short Cut	FN-F2835A-120	120pcs/m	12VDC	21.60 W/m	90+	1922 lm/m	865 lm/m	16.7mm	3.5m	10 mm
					95+	1595 lm/m	718 lm/m			

Remark: 1. The tested data based on silver finish in 4000K, CRI 90+ light source. 2. LN-H2835T-80 is good for long run, but it will show light spot.



PENDANT SERIES

► SL253013



ACCESSORIES



Pendant Kit



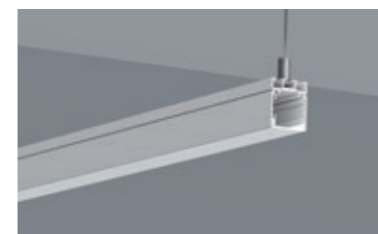
L Shape Connector



90° Connector



Straight Connector



Installation: Surface Mounted
 Length Available: 1-3m
 Profile Color: Silver, Black Anodized, White Powder Coating
 Lens: Opal, Diffuser, Clear
 Input Cable: Endcaps, Profile Bottom, Profile Sides
 Quick Female/Male Connectors Input cable & Junction Box available

PENDANT SERIES

► SL253013

PENDANT SERIES

► SL253013

ORDERING CODE

Luminaire	Finish	Lens	Vol.	Power	CRI	CCT	Input Cable	Connector	Wiring
SL253013	W White	D Diffuser	12	2.40W/m	90 90+	22-2200K , 24-2400K , 25-2500K 27-2700K , 30-3000K , 35-3500K 40-4000K , 50-5000K , 65-6500K	01 - Black&Red 22AWG	A - AMP male/female	B - Through profile back
			24	5.04W/m					
			36	5.18W/m					
	B Black	O Opal	24	5.18W/m	95 95+	22-2200K , 25-2500K , 27-2700K 30-3000K , 35-3500K , 40-4000K 50-5000K , 65-6500K	02 - Black&White 22AWG	M - Molex male/female	E - Through Endcaps
			36	5.76W/m					
			48	6.00W/m					
	S Silver	C Clear	36	5.76W/m	TW	Tunable White - check your executive sales	03 - White PU protected 2 pin	D - DC male/female	S - Through profile side
			48	7.68W/m					
			48	7.68W/m					
			48	11.52W/m					
			48	14.40W/m					
D2W	Dim To Warm - check your executive sales	D2W	21.60W/m	D2W	Dim To Warm - check your executive sales	04 - 3Pin cable for Tunable white	D2W		
			24.00W/m						
			28.80W/m						
			28.80W/m						

RECOMMENDED LIGHT SOURCE

Performance	Part Code	Led Qty	Input Vol.	Power	CRI	Light Source Lumen	Diffuser Lens Lumen	Cutttable length	Max Run	Pcb Width
General	FN-2835T-60	60pcs/m	12/24VDC	14.40 W/m	90+	1440 lm/m	648 lm/m	12V=25mm 24V=100mm	12V=5m 24V=9m	10 mm
					95+	1238 lm/m	557 lm/m			
High Efficiency	FN-H2835T-64	64pcs/m	24VDC	7.68 W/m	90+	1029 lm/m	463 lm/m	125mm	5m	10 mm
					95+	968 lm/m	436 lm/m			
	FN-H28350-80	80pcs/m	24VDC	14.40W/m	90+	2275 lm/m	1024 lm/m	100mm	4m	10 mm
Long Run	LN-2835T-60	60pcs/m	24VDC	5.04 W/m	90+	499 lm/m	225 lm/m	100mm	21m	10mm
					95+	413 lm/m	186 lm/m			
				2.4 W/m	90+	230 lm/m	104 lm/m	100mm	50m	10 mm
					95+	190 lm/m	86 lm/m			
LN-2835T-56	56pcs/m	48VDC	5.76 W/m	90+	668 lm/m	301 lm/m	250mm	35m	10 mm	
				95+	553 lm/m	249 lm/m				
Short Cut	FN-F2835A-60	60pcs/m	12VDC	14.4 W/m	90+	1239 lm/m	531 lm/m	33.3mm	5.5m	10 mm
					95+	979lm/m	441 lm/m			

RECOMMENDED LIGHT SOURCE

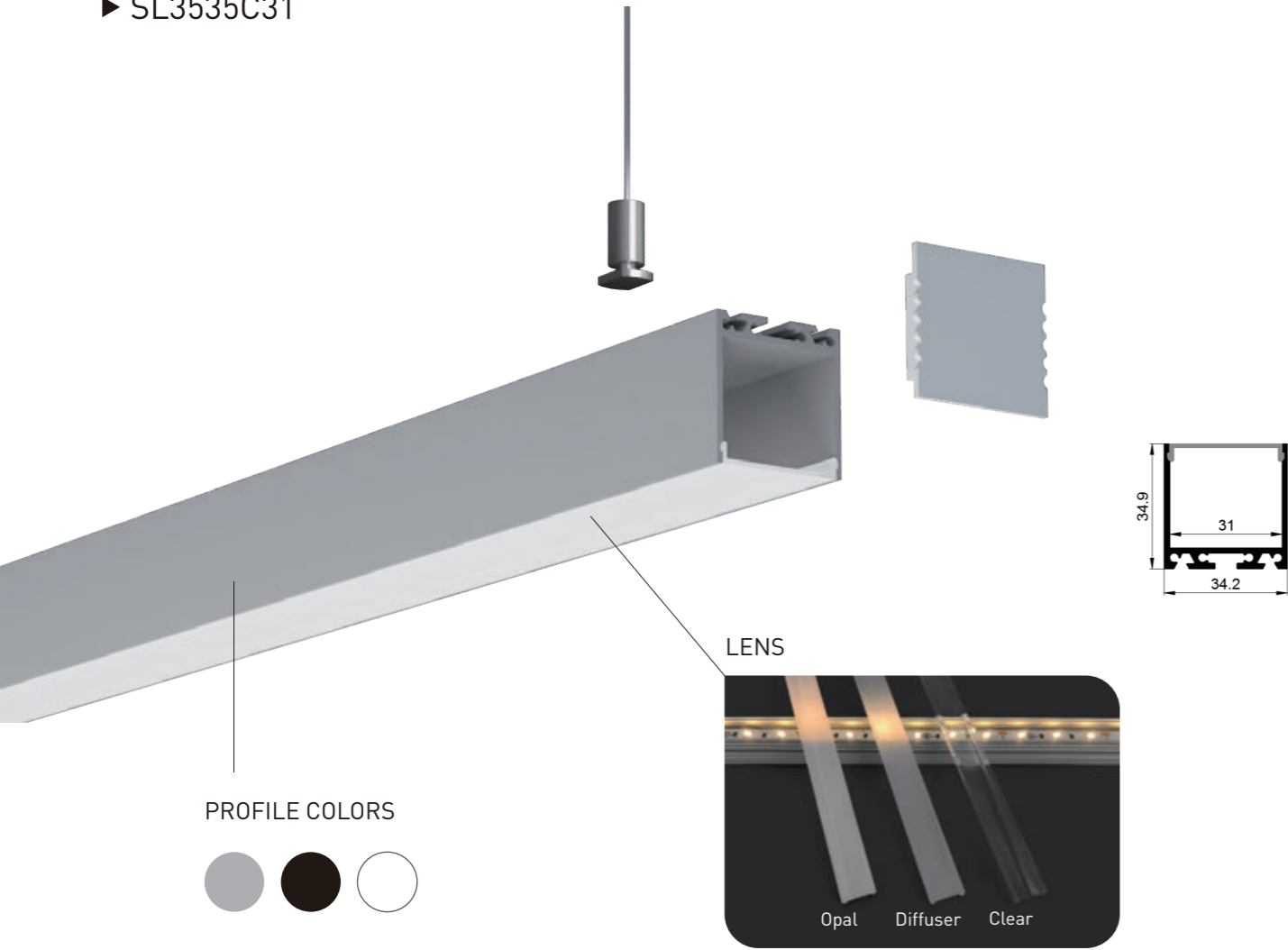
Performance	Part Code	Led Qty	Input Vol.	Power	CRI	Light Source Lumen	Diffuser Lens Lumen	Cutttable length	Max Run	Pcb Width				
General	FN-2835T-120	120pcs/m	12/24VDC	14.40 W/m	90+	1512 lm/m	680 lm/m	12V=25mm 24V=50mm	12V=5m 24V=9m	10 mm				
					95+	1282 lm/m	577 lm/m							
High Efficiency	FN-H2835T-128	128pcs/m	24VDC	11.52 W/m	90+	1613 lm/m	726 lm/m	24V=62.5mm	24V=6m	10 mm				
					95+	1475 lm/m	664 lm/m							
	FN-H28350-160	160pcs/m	24VDC	24 W/m	90+	3480 lm/m	1739 lm/m	50mm	3m	10 mm				
					FN-H2835T-160	160pcs/m	24VDC	14.40 W/m	90+	1987 lm/m	894 lm/m	24V=50mm	24V=5m	10 mm
									95+	1843 lm/m	829 lm/m			
FN-H28350-192	192pcs/m	24VDC	28.8 W/m	90+	4176 lm/m	2086 lm/m	41.7mm	2.5m	10 mm					
				LN-H2835T-80	80pcs/m	36VDC	5.18W/m	90+	580 lm/m	261 lm/m	100mm	50m	10 mm	
95+	482 lm/m	217 lm/m												
Long Run	LN-H2835T-112	112pcs/m	48VDC	11.52 W/m	90+	1336 lm/m	601 lm/m	125mm	25m	10 mm				
					95+	1106 lm/m	498 lm/m							
	LN-H2835T-120	120pcs/m	24VDC	6.00 W/m	90+	588 lm/m	265 lm/m	50mm	21m	10 mm				
					95+	486 lm/m	219 lm/m							
Short Cut	FN-F2835A-120	120pcs/m	12VDC	21.60 W/m	90+	1922 lm/m	865 lm/m	16.7mm	3.5m	10 mm				
					95+	1595 lm/m	718 lm/m							

Remark: 1. The tested data based on silver finish in 4000K, CRI 90+ light source. 2. LN-H2835T-80 is good for long run, but it will show light spot.



PENDANT SERIES

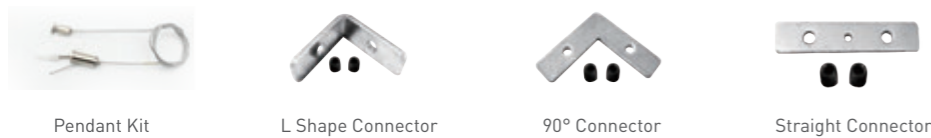
► SL3535C31



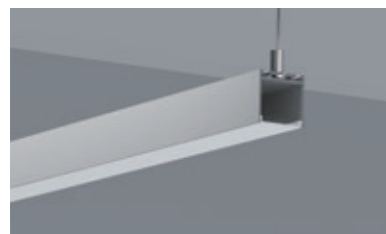
PROFILE COLORS



ACCESSORIES



Pendant Kit L Shape Connector 90° Connector Straight Connector



Installation: Surface Mounted
 Length Available: 1-3m
 Profile Color: Silver, Black Anodized, White Powder Coating
 Lens: Opal, Diffuser, Clear
 Input Cable: Endcaps, Profile Bottom, Profile Sides
 Quick Female/Male Connectors Input cable & Junction Box available

PENDANT SERIES

► SL3535C31

ORDERING CODE

Luminaire	Finish	Lens	Vol.	Power	CRI	CCT	Input Cable	Connector	Wiring
SL3535C31	W White	D Diffuser	12 12VDC	2.40W/m	90 90+	22-2200K , 24-2400K , 25-2500K 27-2700K , 30-3000K , 35-3500K 40-4000K , 50-5000K , 65-6500K	01 - Black&Red 22AWG	A - AMP male/female	B - Through profile back
			24 24VDC	5.04W/m					
	B Black	O Opal	24 24VDC	5.18W/m	95 95+	22-2200K , 25-2500K , 27-2700K 30-3000K , 35-3500K , 40-4000K 50-5000K , 65-6500K	02 - Black&White 22AWG	M - Molex male/female	E - Through Endcaps
			36 36VDC	5.76W/m					
	S Silver	C Clear	48 48VDC	6.00W/m	TW	Tunable White - check your executive sales	03 - White PU protected 2 pin	D - DC male/female	S - Through profile side
			48 48VDC	7.68W/m					
				11.52W/m					
				14.40W/m	D2W	Dim To Warm - check your executive sales	04 - 3Pin cable for Tunable white		
				21.60W/m					
				24.00W/m					
			28.80W/m						

RECOMMENDED LIGHT SOURCE

Performance	Part Code	Led Qty	Input Vol.	Power	CRI	Light Source Lumen	Diffuser Lens Lumen	Cutttable length	Max Run	Pcb Width
General	FN-2835T-60	60pcs/m	12/24VDC	14.40 W/m	90+	1440 lm/m	648 lm/m	12V=25mm 24V=100mm	12V=5m 24V=9m	10 mm
					95+	1238 lm/m	557 lm/m			
High Efficiency	FN-H2835T-64	64pcs/m	24VDC	7.68 W/m	90+	1029 lm/m	463 lm/m	125mm	5m	10 mm
	FN-H28350-80	80pcs/m	24VDC	14.40W/m	90+	968 lm/m	436 lm/m			
Long Run	LN-2835T-60	60pcs/m	24VDC	5.04 W/m	90+	499 lm/m	225 lm/m	100mm	21m	10mm
					95+	413 lm/m	186 lm/m			
	LN-2835T-56	56pcs/m	48VDC	5.76 W/m	90+	230 lm/m	104 lm/m	100mm	50m	10 mm
					95+	190 lm/m	86 lm/m			
Short Cut	FN-F2835A-60	60pcs/m	12VDC	14.4 W/m	90+	668 lm/m	301 lm/m	250mm	35m	10 mm
					95+	553 lm/m	249 lm/m			
Short Cut	FN-F2835A-60	60pcs/m	12VDC	14.4 W/m	90+	1239 lm/m	531 lm/m	33.3mm	5.5m	10 mm
					95+	979lm/m	441 lm/m			

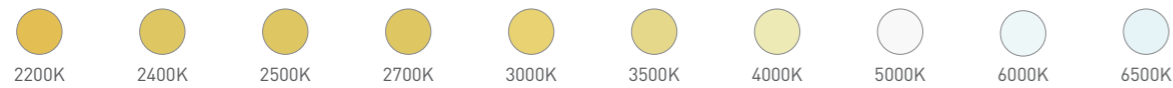
PENDANT SERIES

► SL3535C31

RECOMMENDED LIGHT SOURCE

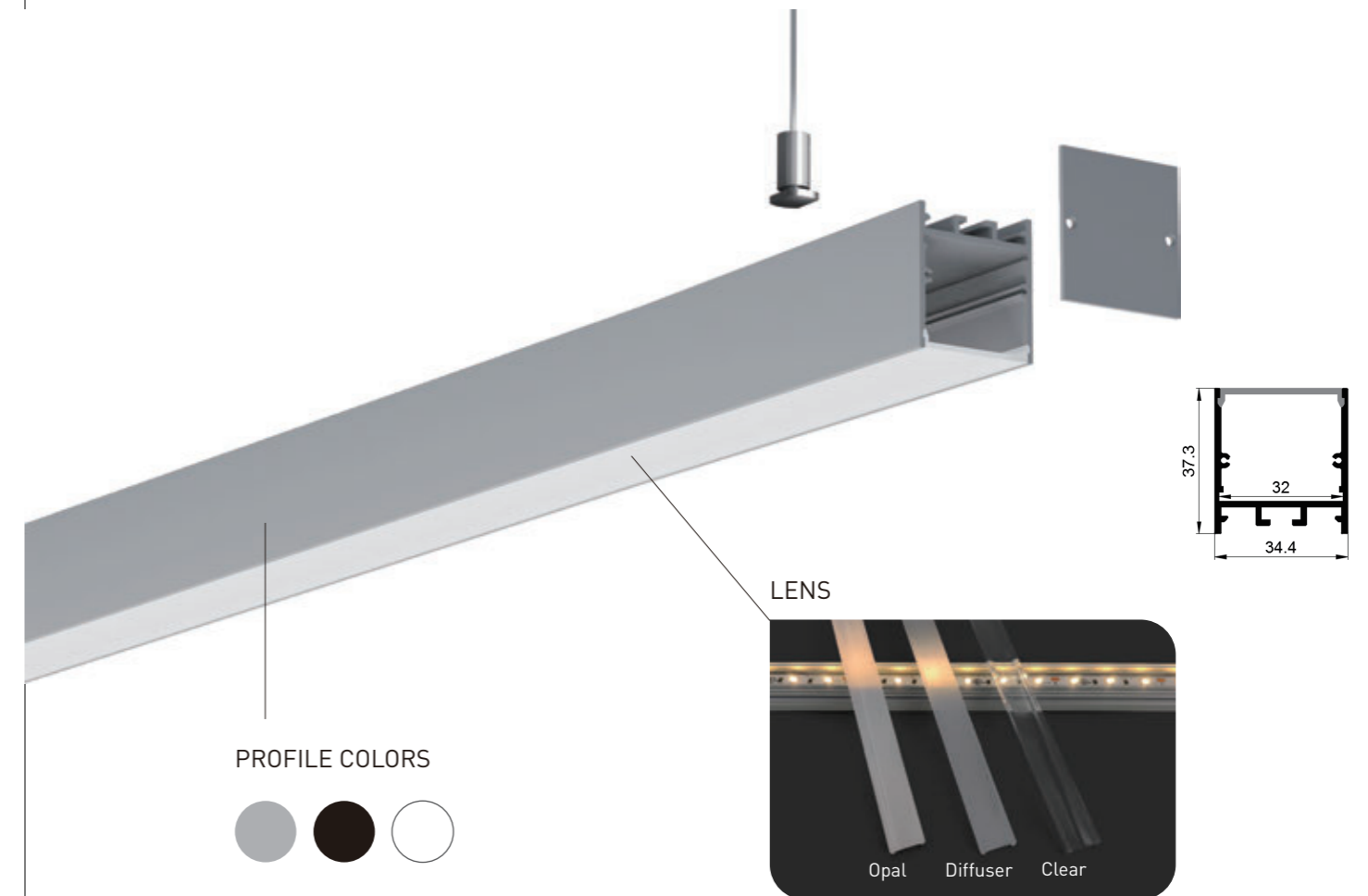
Performance	Part Code	Led Qty	Input Vol.	Power	CRI	Light Source Lumen	Diffuser Lens Lumen	Cutttable length	Max Run	Pcb Width
General	FN-2835T-120	120pcs/m	12/24VDC	14.40 W/m	90+	1512 lm/m	680 lm/m	12V=25mm 24V=50mm	12V=5m 24V=9m	10 mm
					95+	1282 lm/m	577 lm/m			
High Efficiency	FN-H2835T-128	128pcs/m	24VDC	11.52 W/m	90+	1613 lm/m	726 lm/m	24V=62.5mm	24V=6m	10 mm
				95+	1475 lm/m	664 lm/m				
	FN-H28350-160	160pcs/m	24VDC	24 W/m	90+	3480 lm/m	1739 lm/m	50mm	3m	10 mm
	FN-H2835T-160	160pcs/m	24VDC	14.40 W/m	90+	1987 lm/m	894 lm/m	24V=50mm	24V=5m	10 mm
				95+	1843 lm/m	829 lm/m				
FN-H28350-192	192pcs/m	24VDC	28.8 W/m	90+	4176 lm/m	2086 lm/m	41.7mm	2.5m	10 mm	
Long Run	LN-H2835T-80	80pcs/m	36VDC	5.18W/m	90+	580 lm/m	261 lm/m	100mm	50m	10 mm
					95+	482 lm/m	217 lm/m			
	LN-H2835T-112	112pcs/m	48VDC	11.52 W/m	90+	1336 lm/m	601 lm/m	125mm	25m	10 mm
					95+	1106 lm/m	498 lm/m			
	LN-H2835T-120	120pcs/m	24VDC	6.00 W/m	90+	588 lm/m	265 lm/m	50mm	21m	10 mm
					95+	486 lm/m	219 lm/m			
Short Cut	FN-F2835A-120	120pcs/m	12VDC	21.60 W/m	90+	1922 lm/m	865 lm/m	16.7mm	3.5m	10 mm
					95+	1595 lm/m	718 lm/m			

Remark: 1. The tested data based on silver finish in 4000K, CRI 90+ light source. 2. LN-H2835T-80 is good for long run, but it will show light spot.



PENDANT SERIES

► SL3535F32



ACCESSORIES



Pendant Kit



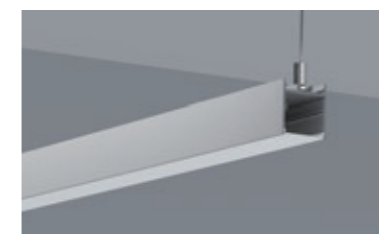
L Shape Connector



90° Connector



Straight Connector



Installation: Surface Mounted
 Length Available: 1-3m
 Profile Color: Silver, Black Anodized, White Powder Coating
 Lens: Opal, Diffuser, Clear
 Input Cable: Endcaps, Profile Bottom, Profile Sides
 Quick Female/Male Connectors Input cable & Junction Box available

PENDANT SERIES

► SL3535F32

PENDANT SERIES

► SL3535F32

ORDERING CODE

Luminaire	Finish	Lens	Vol.	Power	CRI	CCT	Input Cable	Connector	Wiring
SL3535F32	W White	D Diffuser	12 12VDC	2.40W/m	90 90+	22-2200K, 24-2400K, 25-2500K 27-2700K, 30-3000K, 35-3500K 40-4000K, 50-5000K, 65-6500K	01 - Black&Red 22AWG 02 - Black&White 22AWG 03 - White PU protected 2 pin 04 - 3Pin cable for Tunable white	A - AMP male/female M - Molex male/female D - DC male/female	B - Through profile back E - Through Endcaps S - Through profile side
			24 24VDC	5.04W/m					
	B Black	O Opal	36 36VDC	5.76W/m	95 95+	22-2200K, 25-2500K, 27-2700K 30-3000K, 35-3500K, 40-4000K 50-5000K, 65-6500K			
			48 48VDC	7.68W/m					
	S Silver	C Clear		6.00W/m	TW	Tunable White - check your executive sales			
				11.52W/m					
				14.40W/m					
				21.60W/m					
			24.00W/m	D2W	Dim To Warm - check your executive sales				
	28.80W/m								

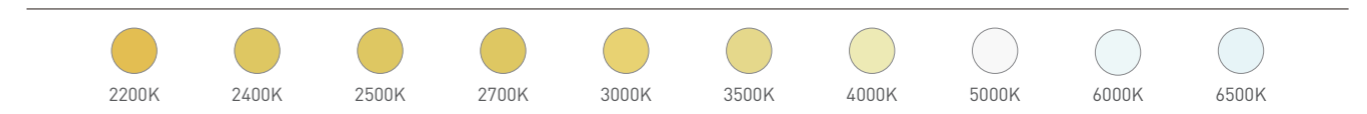
RECOMMENDED LIGHT SOURCE

Performance	Part Code	Led Qty	Input Vol.	Power	CRI	Light Source Lumen	Diffuser Lens Lumen	Cutttable length	Max Run	Pcb Width
General	FN-2835T-60	60pcs/m	12/24VDC	14.40 W/m	90+	1440 lm/m	648 lm/m	12V=25mm 24V=100mm	12V=5m 24V=9m	10 mm
					95+	1238 lm/m	557 lm/m			
High Efficiency	FN-H2835T-64	64pcs/m	24VDC	7.68 W/m	90+	1029 lm/m	463 lm/m	125mm	5m	10 mm
					95+	968 lm/m	436 lm/m			
	FN-H28350-80	80pcs/m	24VDC	14.40W/m	90+	2275 lm/m	1024 lm/m	100mm	4m	10 mm
Long Run	LN-2835T-60	60pcs/m	24VDC	5.04 W/m	90+	499 lm/m	225 lm/m	100mm	21m	10mm
					95+	413 lm/m	186 lm/m			
				2.4 W/m	90+	230 lm/m	104 lm/m	100mm	50m	10 mm
					95+	190 lm/m	86 lm/m			
LN-2835T-56	56pcs/m	48VDC	5.76 W/m	90+	668 lm/m	301 lm/m	250mm	35m	10 mm	
				95+	553 lm/m	249 lm/m				
Short Cut	FN-F2835A-60	60pcs/m	12VDC	14.4 W/m	90+	1239 lm/m	531 lm/m	33.3mm	5.5m	10 mm
					95+	979lm/m	441 lm/m			

RECOMMENDED LIGHT SOURCE

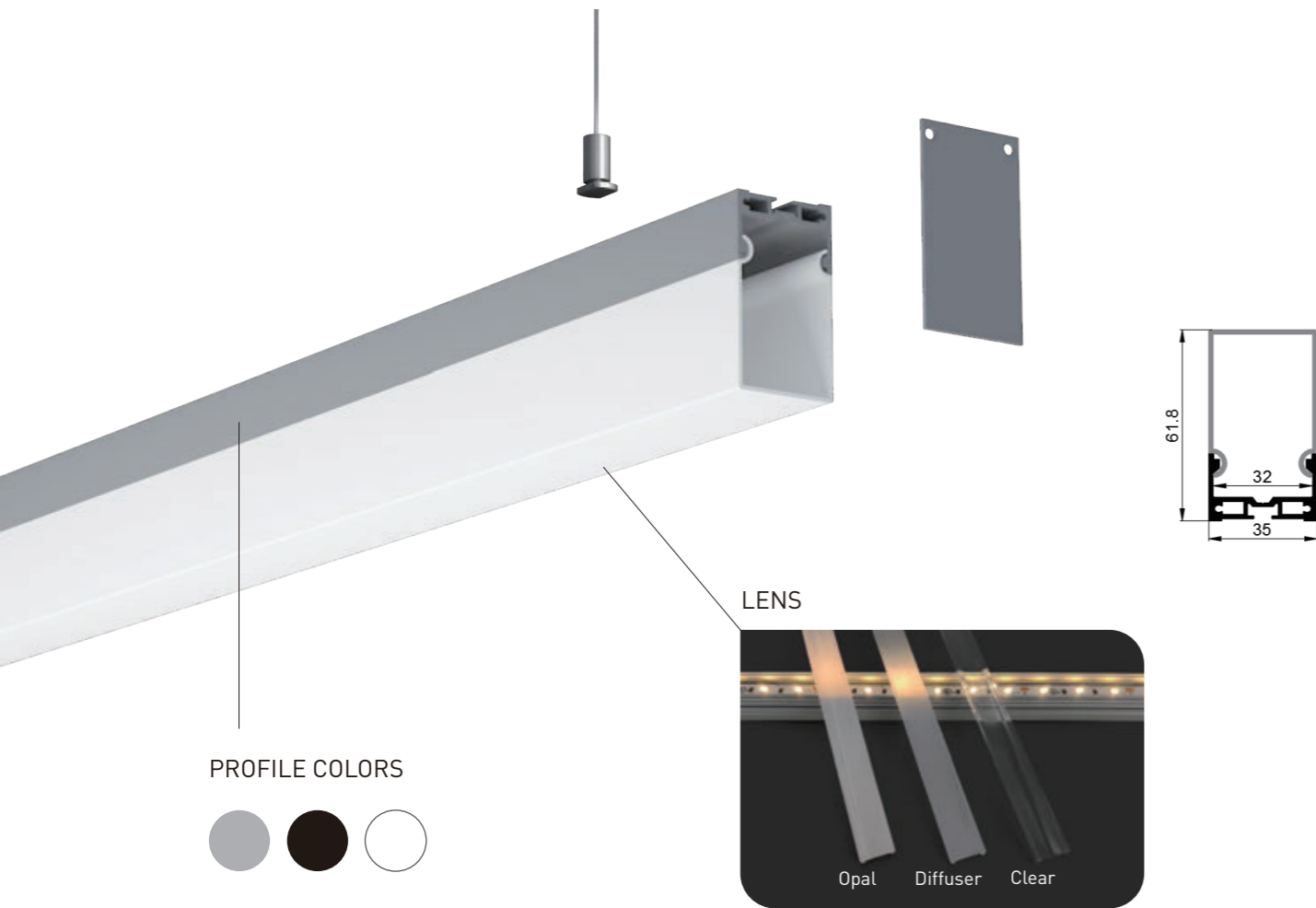
Performance	Part Code	Led Qty	Input Vol.	Power	CRI	Light Source Lumen	Diffuser Lens Lumen	Cutttable length	Max Run	Pcb Width
General	FN-2835T-120	120pcs/m	12/24VDC	14.40 W/m	90+	1512 lm/m	680 lm/m	12V=25mm 24V=50mm	12V=5m 24V=9m	10 mm
					95+	1282 lm/m	577 lm/m			
High Efficiency	FN-H2835T-128	128pcs/m	24VDC	11.52 W/m	90+	1613 lm/m	726 lm/m	24V=62.5mm	24V=6m	10 mm
					95+	1475 lm/m	664 lm/m			
	FN-H28350-160	160pcs/m	24VDC	24 W/m	90+	3480 lm/m	1739 lm/m	50mm	3m	10 mm
	FN-H2835T-160	160pcs/m	24VDC	14.40 W/m	90+	1987 lm/m	894 lm/m	24V=50mm	24V=5m	10 mm
					95+	1843 lm/m	829 lm/m			
FN-H28350-192	192pcs/m	24VDC	28.8 W/m	90+	4176 lm/m	2086 lm/m	41.7mm	2.5m	10 mm	
Long Run	LN-H2835T-80	80pcs/m	36VDC	5.18W/m	90+	580 lm/m	261 lm/m	100mm	50m	10 mm
					95+	482 lm/m	217 lm/m			
	LN-H2835T-112	112pcs/m	48VDC	11.52 W/m	90+	1336 lm/m	601 lm/m	125mm	25m	10 mm
					95+	1106 lm/m	498 lm/m			
	LN-H2835T-120	120pcs/m	24VDC	6.00 W/m	90+	588 lm/m	265 lm/m	50mm	21m	10 mm
					95+	486 lm/m	219 lm/m			
Short Cut	FN-F2835A-120	120pcs/m	12VDC	21.60 W/m	90+	1922 lm/m	865 lm/m	16.7mm	3.5m	10 mm
					95+	1595 lm/m	718 lm/m			

Remark: 1. The tested data based on silver finish in 4000K, CRI 90+ light source. 2. LN-H2835T-80 is good for long run, but it will show light spot.

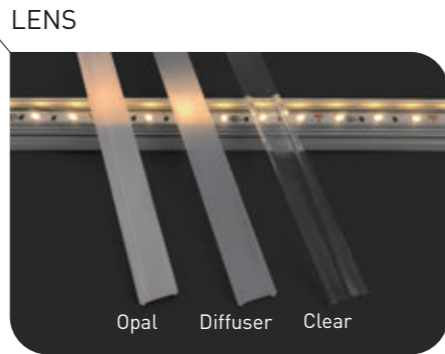


PENDANT SERIES

► SL356132



PROFILE COLORS



ACCESSORIES



Pendant Kit



L Shape Connector



90° Connector



Straight Connector



Installation: Surface Mounted
 Length Available: 1-3m
 Profile Color: Silver, Black Anodized, White Powder Coating
 Lens: Opal, Diffuser, Clear
 Input Cable: Endcaps, Profile Bottom, Profile Sides
 Quick Female/Male Connectors Input cable & Junction Box available

PENDANT SERIES

► SL356132

ORDERING CODE

Luminaire	Finish	Lens	Vol.	Power	CRI	CCT	Input Cable	Connector	Wiring
SL356132	W White	D Diffuser	12	2.40W/m	90 90+	22-2200K , 24-2400K , 25-2500K 27-2700K , 30-3000K , 35-3500K 40-4000K , 50-5000K , 65-6500K	01 - Black&Red 22AWG	A - AMP male/female	B - Through profile back
			12VDC	5.04W/m					
	B Black	O Opal	24	5.18W/m	95 95+	22-2200K , 25-2500K , 27-2700K 30-3000K , 35-3500K , 40-4000K 50-5000K , 65-6500K	02 - Black&White 22AWG	M - Molex male/female	E - Through Endcaps
			24VDC	5.76W/m					
	S Silver	C Clear	36	6.00W/m	TW	Tunable White - check your executive sales	03 - White PU protected 2 pin	D - DC male/female	S - Through profile side
			36VDC	7.68W/m					
			48	11.52W/m	D2W	Dim To Warm - check your executive sales	04 - 3Pin cable for Tunable white		
			48	14.40W/m					
			48VDC	21.60W/m					
			48VDC	24.00W/m					
				28.80W/m					

RECOMMENDED LIGHT SOURCE

Performance	Part Code	Led Qty	Input Vol.	Power	CRI	Light Source Lumen	Diffuser Lens Lumen	Cutttable length	Max Run	Pcb Width
General	FN-2835T-60	60pcs/m	12/24VDC	14.40 W/m	90+	1440 lm/m	1022 lm/m	12V=25mm 24V=100mm	12V=5m 24V=9m	10 mm
					95+	1238 lm/m	879 lm/m			
High Efficiency	FN-H2835T-64	64pcs/m	24VDC	7.68 W/m	90+	1029 lm/m	731 lm/m	125mm	5m	10 mm
	FN-H28350-80	80pcs/m	24VDC	14.40W/m	95+	968 lm/m	687 lm/m			
Long Run	LN-2835T-60	60pcs/m	24VDC	5.04 W/m	90+	499 lm/m	354 lm/m	100mm	21m	10mm
				95+	413 lm/m	293 lm/m				
	LN-2835T-56	56pcs/m	48VDC	2.4 W/m	90+	230 lm/m	163 lm/m	100mm	50m	10 mm
				95+	190 lm/m	135 lm/m				
Short Cut	FN-F2835A-60	60pcs/m	12VDC	14.4 W/m	90+	1239 lm/m	838 lm/m	33.3mm	5.5m	10 mm
					95+	979lm/m	695 lm/m			

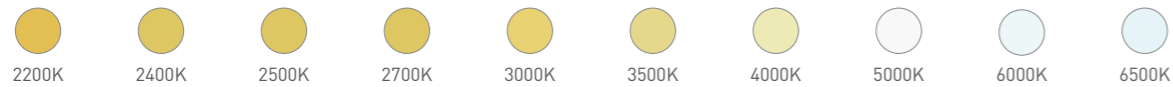
PENDANT SERIES

► SL356132

RECOMMENDED LIGHT SOURCE

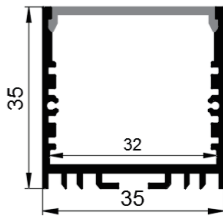
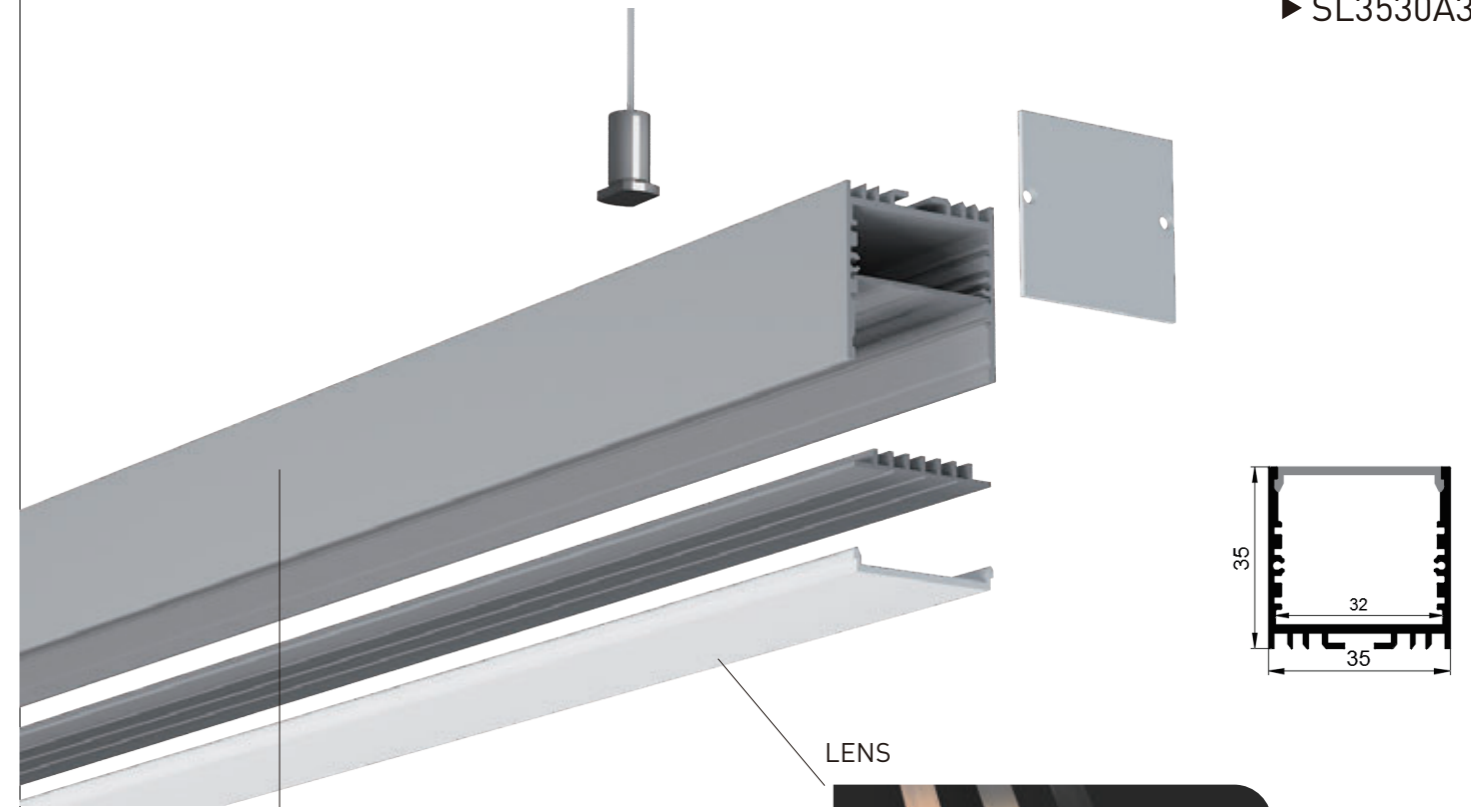
Performance	Part Code	Led Qty	Input Vol.	Power	CRI	Light Source Lumen	Diffuser Lens Lumen	Cutttable length	Max Run	Pcb Width
General	FN-2835T-120	120pcs/m	12/24VDC	14.40 W/m	90+	1512 lm/m	1074 lm/m	12V=25mm 24V=50mm	12V=5m 24V=9m	10 mm
					95+	1282 lm/m	910 lm/m			
High Efficiency	FN-H2835T-128	128pcs/m	24VDC	11.52 W/m	90+	1613 lm/m	1145 lm/m	24V=62.5mm	24V=6m	10 mm
					95+	1475 lm/m	1047 lm/m			
	FN-H28350-160	160pcs/m	24VDC	24 W/m	90+	3480 lm/m	2743 lm/m	50mm	3m	10 mm
	FN-H2835T-160	160pcs/m	24VDC	14.40 W/m	90+	1987 lm/m	1411 lm/m	24V=50mm	24V=5m	10 mm
					95+	1843 lm/m	1309 lm/m			
FN-H28350-192	192pcs/m	24VDC	28.8 W/m	90+	4176 lm/m	3292 lm/m	41.7mm	2.5m	10 mm	
Long Run	LN-H2835T-80	80pcs/m	36VDC	5.18W/m	90+	580 lm/m	412 lm/m	100mm	50m	10 mm
					95+	482 lm/m	342 lm/m			
	LN-H2835T-112	112pcs/m	48VDC	11.52 W/m	90+	1336 lm/m	949 lm/m	125mm	25m	10 mm
					95+	1106 lm/m	785 lm/m			
	LN-H2835T-120	120pcs/m	24VDC	6.00 W/m	90+	588 lm/m	417 lm/m	50mm	21m	10 mm
					95+	486 lm/m	345 lm/m			
Short Cut	FN-F2835A-120	120pcs/m	12VDC	21.60 W/m	90+	1922 lm/m	1365 lm/m	16.7mm	3.5m	10 mm
					95+	1595 lm/m	1133 lm/m			

Remark: 1. The tested data based on silver finish in 4000K, CRI 90+ light source. 2. LN-H2835T-80 is good for long run, but it will show light spot.

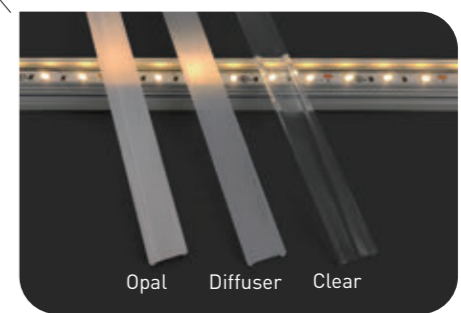


PENDANT SERIES

► SL3530A32



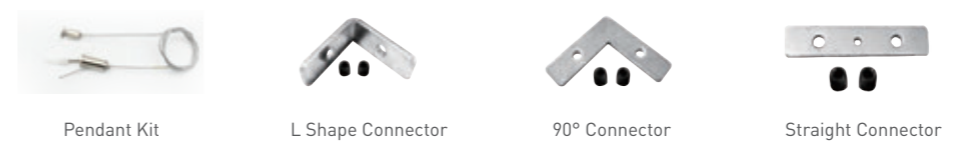
LENS



PROFILE COLORS



ACCESSORIES



Installation: Surface Mounted
 Length Available: 1-3m
 Profile Color: Silver, Black Anodized, White Powder Coating
 Lens: Opal, Diffuser, Clear
 Input Cable: Endcaps, Profile Bottom, Profile Sides
 Quick Female/Male Connectors Input cable & Junction Box available

PENDANT SERIES

► SL3530A32

ORDERING CODE

Luminaire	Finish	Lens	Vol.	Power	CRI	CCT	Input Cable	Connector	Wiring				
SL3530A32	W White	D Diffuser	12 12VDC	2.40W/m	90 90+	22-2200K , 24-2400K , 25-2500K 27-2700K , 30-3000K , 35-3500K 40-4000K , 50-5000K , 65-6500K	01 - Black&Red 22AWG	A - AMP male/female	B - Through profile back				
				5.04W/m									
				6.00W/m									
			24 24VDC	5.18W/m	95 95+					22-2200K , 25-2500K , 27-2700K 30-3000K , 35-3500K , 40-4000K 50-5000K , 65-6500K	02 - Black&White 22AWG	M - Molex male/female	E - Through Endcaps
				5.76W/m									
				7.68W/m									
	36 36VDC	6.00W/m	TW	Tunable White - check your executive sales	03 - White PU protected 2 pin	D - DC male/female	S - Through profile side						
		7.68W/m											
		11.52W/m											
	48 48VDC	14.40W/m	D2W					Dim To Warm - check your executive sales	04 - 3Pin cable for Tunable white				
		21.60W/m											
		24.00W/m											
B Black	O Opal		28.80W/m										
S Silver	C Clear												

RECOMMENDED LIGHT SOURCE

Performance	Part Code	Led Qty	Input Vol.	Power	CRI	Light Source Lumen	Diffuser Lens Lumen	Cutttable length	Max Run	Pcb Width
General	FN-2835T-60	60pcs/m	12/24VDC	14.40 W/m	90+	1440 lm/m	648 lm/m	12V=25mm 24V=100mm	12V=5m 24V=9m	10 mm
					95+	1238 lm/m	557 lm/m			
High Efficiency	FN-H2835T-64	64pcs/m	24VDC	7.68 W/m	90+	1029 lm/m	463 lm/m	125mm	5m	10 mm
					95+	968 lm/m	436 lm/m			
	FN-H28350-80	80pcs/m	24VDC	14.40W/m	90+	2275 lm/m	1024 lm/m	100mm	4m	10 mm
Long Run	LN-2835T-60	60pcs/m	24VDC	5.04 W/m	90+	499 lm/m	225 lm/m	100mm	21m	10mm
					95+	413 lm/m	186 lm/m			
				2.4 W/m	90+	230 lm/m	104 lm/m	100mm	50m	10 mm
					95+	190 lm/m	86 lm/m			
Short Cut	FN-F2835A-60	60pcs/m	12VDC	14.4 W/m	90+	1239 lm/m	531 lm/m	33.3mm	5.5m	10 mm
					95+	979lm/m	441 lm/m			

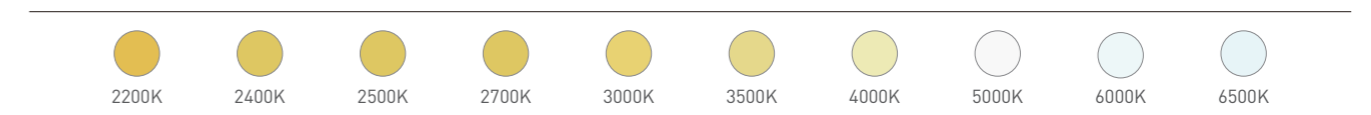
PENDANT SERIES

► SL3530A32

RECOMMENDED LIGHT SOURCE

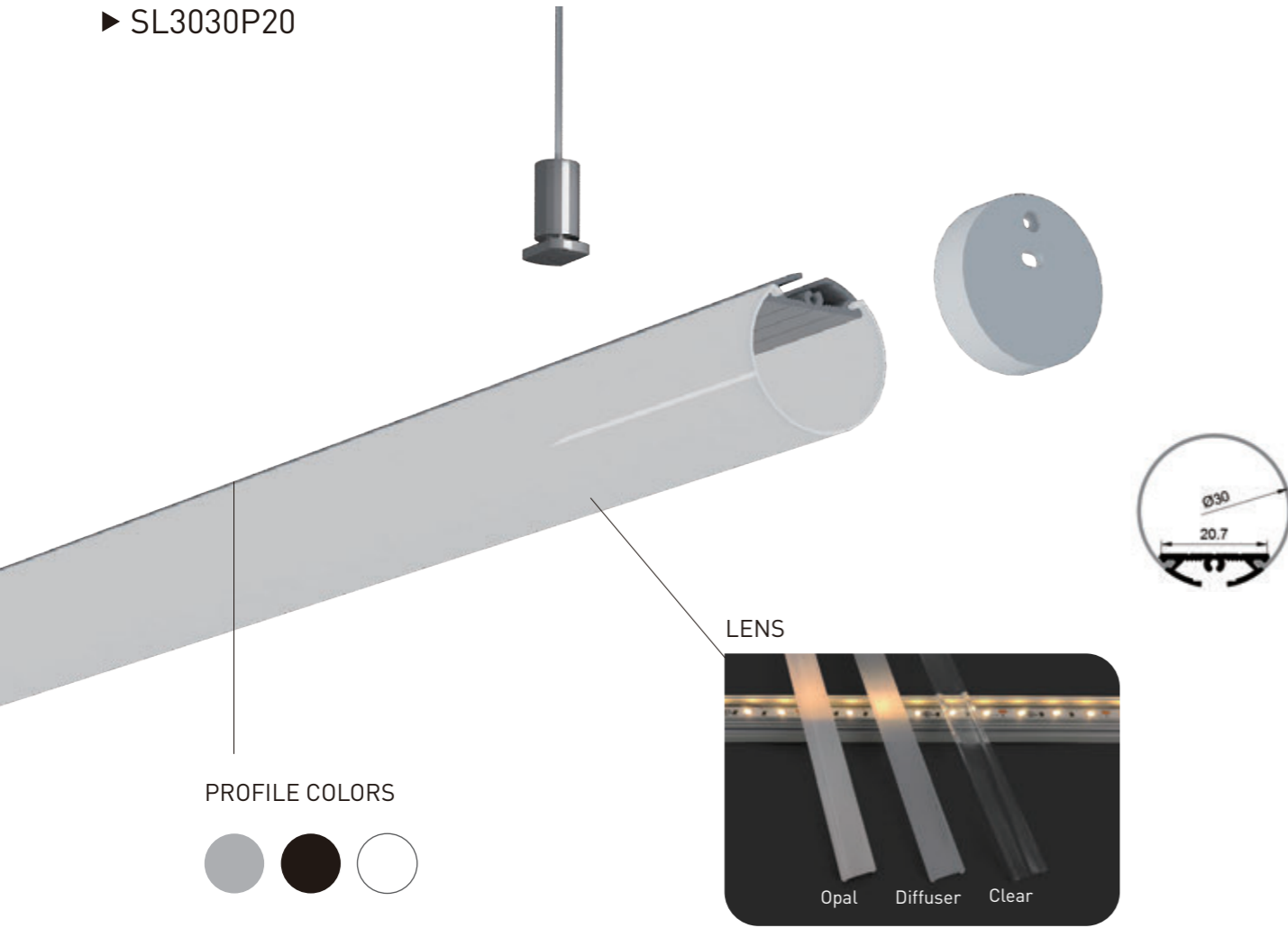
Performance	Part Code	Led Qty	Input Vol.	Power	CRI	Light Source Lumen	Diffuser Lens Lumen	Cutttable length	Max Run	Pcb Width				
General	FN-2835T-120	120pcs/m	12/24VDC	14.40 W/m	90+	1512 lm/m	680 lm/m	12V=25mm 24V=50mm	12V=5m 24V=9m	10 mm				
					95+	1282 lm/m	577 lm/m							
High Efficiency	FN-H2835T-128	128pcs/m	24VDC	11.52 W/m	90+	1613 lm/m	726 lm/m	24V=62.5mm	24V=6m	10 mm				
					95+	1475 lm/m	664 lm/m							
	FN-H28350-160	160pcs/m	24VDC	24 W/m	90+	3480 lm/m	1739 lm/m	50mm	3m	10 mm				
					FN-H2835T-160	160pcs/m	24VDC				14.40 W/m	90+	1987 lm/m	894 lm/m
												95+	1843 lm/m	829 lm/m
FN-H28350-192	192pcs/m	24VDC	28.8 W/m	90+	4176 lm/m	2086 lm/m	41.7mm	2.5m	10 mm					
Long Run	LN-H2835T-80	80pcs/m	36VDC	5.18W/m	90+	580 lm/m	261 lm/m	100mm	50m	10 mm				
					95+	482 lm/m	217 lm/m							
	LN-H2835T-112	112pcs/m	48VDC	11.52 W/m	90+	1336 lm/m	601 lm/m	125mm	25m	10 mm				
					95+	1106 lm/m	498 lm/m							
	LN-H2835T-120	120pcs/m	24VDC	6.00 W/m	90+	588 lm/m	265 lm/m	50mm	21m	10 mm				
95+					486 lm/m	219 lm/m								
Short Cut	FN-F2835A-120	120pcs/m	12VDC	21.60 W/m	90+	1922 lm/m	865 lm/m	16.7mm	3.5m	10 mm				
					95+	1595 lm/m	718 lm/m							

Remark: 1. The tested data based on siliver finish in 4000K, CRI 90+ light source. 2. LN-H2835T-80 is good for long run, but it will show light spot.



PENDANT SERIES

► SL3030P20



ACCESSORIES



Pendant Kit



Installation: Pendant
 Length Available: 1-3m
 Profile Color: Silver, Black Anodized, White Powder Coating
 Lens: Opal, Diffuser, Clear
 Input Cable: Endcaps, Profile Bottom, Profile Sides
 Quick Female/Male Connectors Input cable & Junction Box available

PENDANT SERIES

► SL3030P20

ORDERING CODE

Luminaire	Finish	Lens	Vol.	Power	CRI	CCT	Input Cable	Connector	Wiring
SL3030P20	W White	D Diffuser	12 12VDC	2.40W/m	90 90+	22-2200K , 24-2400K , 25-2500K 27-2700K , 30-3000K , 35-3500K 40-4000K , 50-5000K , 65-6500K	01 - Black&Red 22AWG	A - AMP male/female	B - Through profile back
				5.04W/m					
	B Black	O Opal	24 24VDC	5.18W/m	95 95+	22-2200K , 25-2500K , 27-2700K 30-3000K , 35-3500K , 40-4000K 50-5000K , 65-6500K	02 - Black&White 22AWG	M - Molex male/female	E - Through Endcaps
				5.76W/m					
	S Silver	C Clear	36 36VDC	6.00W/m	TW	Tunable White - check your executive sales	03 - White PU protected 2 pin	D - DC male/female	S - Through profile side
				7.68W/m					
				11.52W/m	D2W	Dim To Warm - check your executive sales	04 - 3Pin cable for Tunable white		
				14.40W/m					
				21.60W/m					
				24.00W/m					
			28.80W/m						

RECOMMENDED LIGHT SOURCE

Performance	Part Code	Led Qty	Input Vol.	Power	CRI	Light Source Lumen	Diffuser Lens Lumen	Cutttable length	Max Run	Pcb Width	
General	FN-2835T-60	60pcs/m	12/24VDC	14.40 W/m	90+	1440 lm/m	1022 lm/m	12V=25mm 24V=100mm	12V=5m 24V=9m	10 mm	
					95+	1238 lm/m	879 lm/m				
High Efficiency	FN-H2835T-64	64pcs/m	24VDC	7.68 W/m	90+	1029 lm/m	731 lm/m	125mm	5m	10 mm	
	95+	968 lm/m	687 lm/m								
	FN-H28350-80	80pcs/m	24VDC	14.40W/m	90+	2275 lm/m	1615 lm/m	100mm	4m	10 mm	
Long Run	LN-2835T-60	60pcs/m	24VDC	5.04 W/m	90+	499 lm/m	354 lm/m	100mm	21m	10mm	
					95+	413 lm/m	293 lm/m				
					2.4 W/m	90+	230 lm/m	163 lm/m	100mm	50m	10 mm
						95+	190 lm/m	135 lm/m			
	LN-2835T-56	56pcs/m	48VDC	5.76 W/m	90+	668 lm/m	474 lm/m	250mm	35m	10 mm	
					95+	553 lm/m	393 lm/m				
Short Cut	FN-F2835A-60	60pcs/m	12VDC	14.4 W/m	90+	1239 lm/m	838 lm/m	33.3mm	5.5m	10 mm	
					95+	979lm/m	695 lm/m				

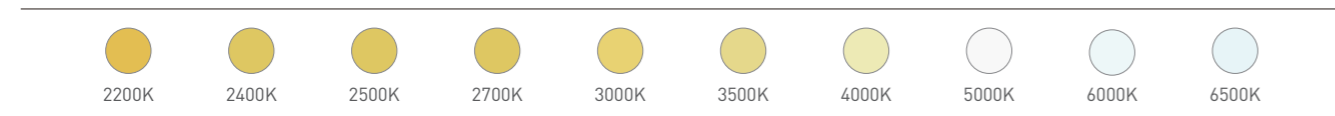
PENDANT SERIES

► SL3030P20

RECOMMENDED LIGHT SOURCE

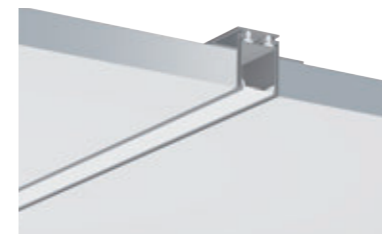
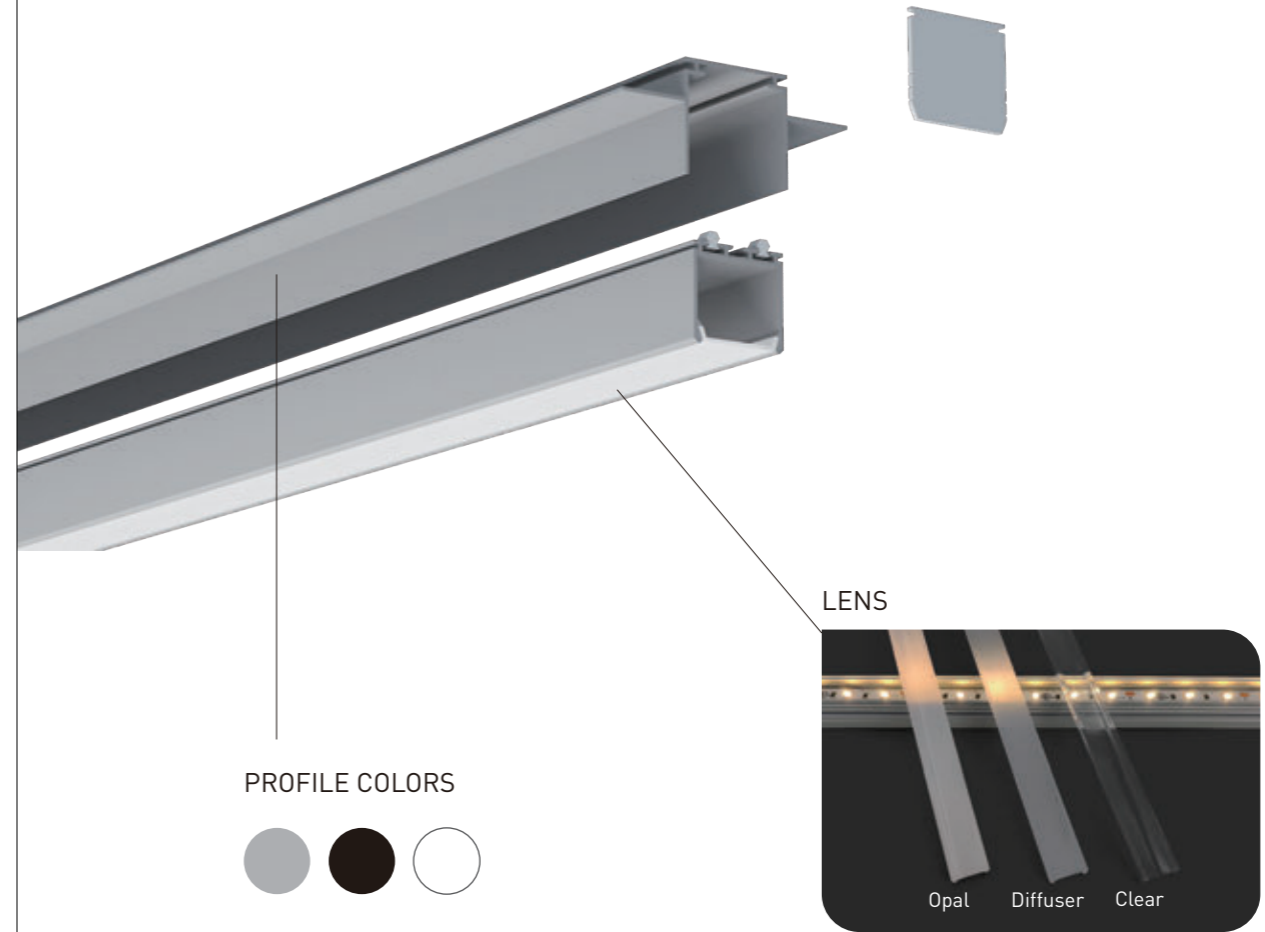
Performance	Part Code	Led Qty	Input Vol.	Power	CRI	Light Source Lumen	Diffuser Lens Lumen	Cutttable length	Max Run	Pcb Width
General	FN-2835T-120	120pcs/m	12/24VDC	14.40 W/m	90+	1512 lm/m	1074 lm/m	12V=25mm 24V=50mm	12V=5m 24V=9m	10 mm
					95+	1282 lm/m	910 lm/m			
High Efficiency	FN-H2835T-128	128pcs/m	24VDC	11.52 W/m	90+	1613 lm/m	1145 lm/m	24V=62.5mm	24V=6m	10 mm
					95+	1475 lm/m	1047 lm/m			
	FN-H28350-160	160pcs/m	24VDC	24 W/m	90+	3480 lm/m	2743 lm/m	50mm	3m	10 mm
	FN-H2835T-160	160pcs/m	24VDC	14.40 W/m	90+	1987 lm/m	1411 lm/m	24V=50mm	24V=5m	10 mm
					95+	1843 lm/m	1309 lm/m			
FN-H28350-192	192pcs/m	24VDC	28.8 W/m	90+	4176 lm/m	3292 lm/m	41.7mm	2.5m	10 mm	
Long Run	LN-H2835T-80	80pcs/m	36VDC	5.18W/m	90+	580 lm/m	412 lm/m	100mm	50m	10 mm
					95+	482 lm/m	342 lm/m			
	LN-H2835T-112	112pcs/m	48VDC	11.52 W/m	90+	1336 lm/m	949 lm/m	125mm	25m	10 mm
					95+	1106 lm/m	785 lm/m			
	LN-H2835T-120	120pcs/m	24VDC	6.00 W/m	90+	588 lm/m	417 lm/m	50mm	21m	10 mm
					95+	486 lm/m	345 lm/m			
Short Cut	FN-F2835A-120	120pcs/m	12VDC	21.60 W/m	90+	1922 lm/m	1365 lm/m	16.7mm	3.5m	10 mm
					95+	1595 lm/m	1133 lm/m			

Remark: 1. The tested data based on silver finish in 4000K, CRI 90+ light source. 2. LN-H2835T-80 is good for long run, but it will show light spot.



TRIMLESS RECESSED SERIES

► SL662928



Installation: Trimless Recessed
 Length Available: 1-3m
 Profile Color: Silver, Black Anodized, White Powder Coating
 Lens: Opal, Diffuser, Clear
 Input Cable: Endcaps, Profile Bottom, Profile Sides
 Quick Female/Male Connectors Input cable & Junction Box available

TRIMLESS RECESSED SERIES

► SL662928

ORDERING CODE

Luminaire	Finish	Lens	Vol.	Power	CRI	CCT	Input Cable	Connector	Wiring
SL662928	W White	D Diffuser	12 12VDC	2.40W/m	90 90+	22-2200K , 24-2400K , 25-2500K 27-2700K , 30-3000K , 35-3500K 40-4000K , 50-5000K , 65-6500K	01 - Black&Red 22AWG	A - AMP male/female	B - Through profile back
			24 24VDC	5.04W/m					
			36 36VDC	5.18W/m					
	B Black	O Opal	24 24VDC	5.18W/m	95 95+	22-2200K , 25-2500K , 27-2700K 30-3000K , 35-3500K , 40-4000K 50-5000K , 65-6500K	02 - Black&White 22AWG	M - Molex male/female	E - Through Endcaps
			36 36VDC	5.76W/m					
			48 48VDC	6.00W/m					
	S Silver	C Clear	36 36VDC	5.76W/m	TW	Tunable White - check your executive sales	03 - White PU protected 2 pin	D - DC male/female	S - Through profile side
			48 48VDC	7.68W/m					
			48 48VDC	7.68W/m					
				11.52W/m	D2W	Dim To Warm - check your executive sales	04 - 3Pin cable for Tunable white		
			14.40W/m						
			21.60W/m						
		24.00W/m							
		28.80W/m							

RECOMMENDED LIGHT SOURCE

Performance	Part Code	Led Qty	Input Vol.	Power	CRI	Light Source Lumen	Diffuser Lens Lumen	Cutttable length	Max Run	Pcb Width
General	FN-2835T-60	60pcs/m	12/24VDC	14.40 W/m	90+	1440 lm/m	634 lm/m	12V=25mm 24V=100mm	12V=5m 24V=9m	10 mm
					95+	1238 lm/m	545 lm/m			
High Efficiency	FN-H2835T-64	64pcs/m	24VDC	7.68 W/m	90+	1029 lm/m	453 lm/m	125mm	5m	10 mm
					95+	968 lm/m	456 lm/m			
	FN-H28350-80	80pcs/m	24VDC	14.40W/m	90+	2275 lm/m	1001m/m	100mm	4m	10 mm
Long Run	LN-2835T-60	60pcs/m	24VDC	5.04 W/m	90+	499 lm/m	220lm/m	100mm	21m	10mm
					95+	413 lm/m	182 lm/m			
				2.4 W/m	90+	230 lm/m	101 lm/m	100mm	50m	10 mm
					95+	190 lm/m	84 lm/m			
	LN-2835T-56	56pcs/m	48VDC	5.76 W/m	90+	668 lm/m	294 lm/m	250mm	35m	10 mm
					95+	553 lm/m	243 lm/m			
Short Cut	FN-F2835A-60	60pcs/m	12VDC	14.4 W/m	90+	1239 lm/m	519 lm/m	33.3mm	5.5m	10 mm
					95+	979lm/m	431 lm/m			

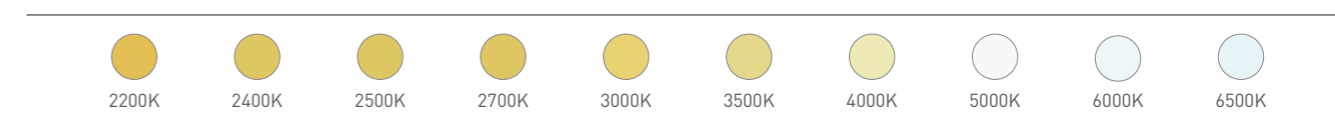
TRIMLESS RECESSED SERIES

► SL662928

RECOMMENDED LIGHT SOURCE

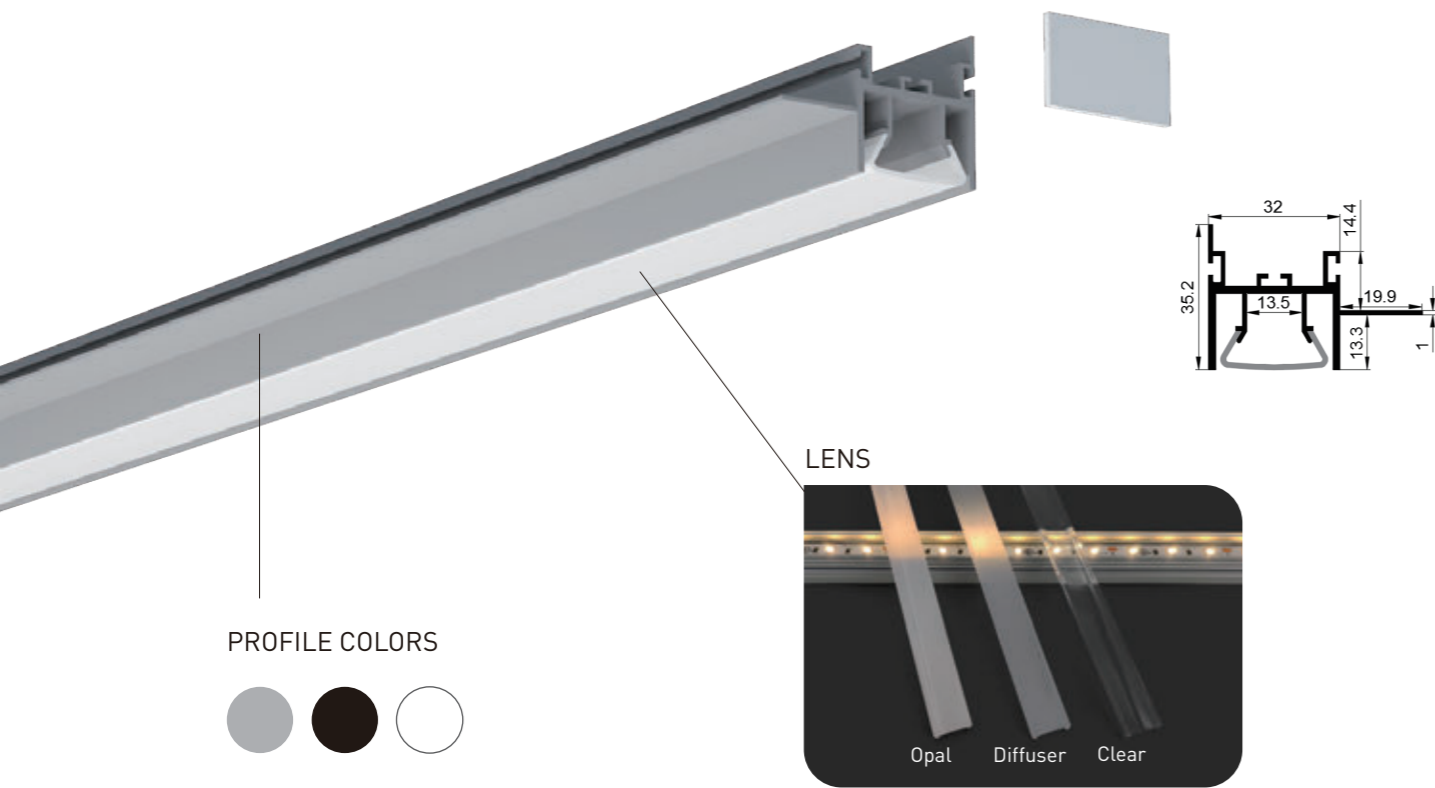
Performance	Part Code	Led Qty	Input Vol.	Power	CRI	Light Source Lumen	Diffuser Lens Lumen	Cutttable length	Max Run	Pcb Width
General	FN-2835T-120	120pcs/m	12/24VDC	14.40 W/m	90+	1512 lm/m	680 lm/m	12V=25mm 24V=50mm	12V=5m 24V=9m	10 mm
					95+	1282 lm/m	577 lm/m			
High Efficiency	FN-H2835T-128	128pcs/m	24VDC	11.52 W/m	90+	1613 lm/m	726 lm/m	24V=62.5mm	24V=6m	10 mm
				95+	1475 lm/m	664 lm/m				
	FN-H28350-160	160pcs/m	24VDC	24 W/m	90+	3480 lm/m	1739 lm/m	50mm	3m	10 mm
	FN-H2835T-160	160pcs/m	24VDC	14.40 W/m	90+	1987 lm/m	894 lm/m	24V=50mm	24V=5m	10 mm
					95+	1843 lm/m	829 lm/m			
FN-H28350-192	192pcs/m	24VDC	28.8 W/m	90+	4176 lm/m	2086 lm/m	41.7mm	2.5m	10 mm	
Long Run	LN-H2835T-80	80pcs/m	36VDC	5.18W/m	90+	580 lm/m	261 lm/m	100mm	50m	10 mm
					95+	482 lm/m	217 lm/m			
	LN-H2835T-112	112pcs/m	48VDC	11.52 W/m	90+	1336 lm/m	601 lm/m	125mm	25m	10 mm
					95+	1106 lm/m	498 lm/m			
	LN-H2835T-120	120pcs/m	24VDC	6.00 W/m	90+	588 lm/m	265 lm/m	50mm	21m	10 mm
					95+	486 lm/m	219 lm/m			
Short Cut	FN-F2835A-120	120pcs/m	12VDC	21.60 W/m	90+	1922 lm/m	865 lm/m	16.7mm	3.5m	10 mm
					95+	1595 lm/m	718 lm/m			

Remark: 1. The tested data based on silver finish in 4000K, CRI 90+ light source. 2. LN-H2835T-80 is good for long run, but it will show light spot.

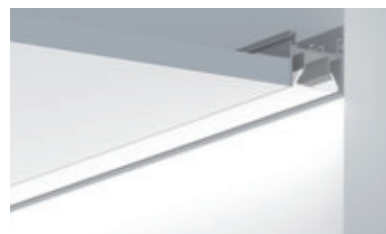


TRIMLESS RECESSED SERIES

► SL5235B13



PROFILE COLORS



Installation: Trimless Recessed
 Length Available: 1-3m
 Profile Color: Silver, Black Anodized, White Powder Coating
 Lens: Opal, Diffuser, Clear
 Input Cable: Endcaps, Profile Bottom, Profile Sides
 Quick Female/Male Connectors Input cable & Junction Box available

TRIMLESS RECESSED SERIES

► SL5235B13

ORDERING CODE

Luminaire	Finish	Lens	Vol.	Power	CRI	CCT	Input Cable	Connector	Wiring
SL5235B13	W White	D Diffuser	12	2.40W/m	90 90+	22-2200K , 24-2400K , 25-2500K 27-2700K , 30-3000K , 35-3500K 40-4000K , 50-5000K , 65-6500K	01 - Black&Red 22AWG	A - AMP male/female	B - Through profile back
			24	5.04W/m					
	B Black	O Opal	24	5.18W/m	95 95+	22-2200K , 25-2500K , 27-2700K 30-3000K , 35-3500K , 40-4000K 50-5000K , 65-6500K	02 - Black&White 22AWG	M - Molex male/female	E - Through Endcaps
			36	5.76W/m					
	S Silver	C Clear	36	6.00W/m	TW	Tunable White - check your executive sales	03 - White PU protected 2 pin	D - DC male/female	S - Through profile side
			48	7.68W/m					
			48	11.52W/m	D2W	Dim To Warm - check your executive sales	04 - 3Pin cable for Tunable white		
			48VDC	14.40W/m					
				21.60W/m					
				24.00W/m					
				28.80W/m					

RECOMMENDED LIGHT SOURCE

Performance	Part Code	Led Qty	Input Vol.	Power	CRI	Light Source Lumen	Diffuser Lens Lumen	Cutttable length	Max Run	Pcb Width
General	FN-2835T-60	60pcs/m	12/24VDC	14.40 W/m	90+	1440 lm/m	648 lm/m	12V=25mm 24V=100mm	12V=5m 24V=9m	10 mm
					95+	1238 lm/m	557 lm/m			
High Efficiency	FN-H2835T-64	64pcs/m	24VDC	7.68 W/m	90+	1029 lm/m	463 lm/m	125mm	5m	10 mm
				95+	968 lm/m	436 lm/m				
	FN-H28350-80	80pcs/m	24VDC	14.40W/m	90+	2275 lm/m	1024 lm/m	100mm	4m	10 mm
Long Run	LN-2835T-60	60pcs/m	24VDC	5.04 W/m	90+	499 lm/m	225 lm/m	100mm	21m	10mm
					95+	413 lm/m	186 lm/m			
	LN-2835T-56	56pcs/m	48VDC	5.76 W/m	90+	230 lm/m	104 lm/m	100mm	50	10 mm
					95+	190 lm/m	86 lm/m			
Short Cut	FN-F2835A-60	60pcs/m	12VDC	14.4 W/m	90+	1239 lm/m	531 lm/m	33.3mm	5.5m	10 mm
					95+	979lm/m	441 lm/m			

TRIMLESS RECESSED SERIES

► SL5235B13

RECOMMENDED LIGHT SOURCE

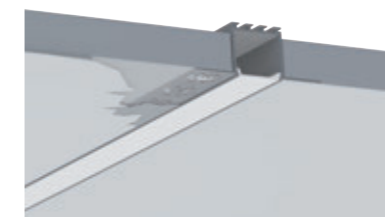
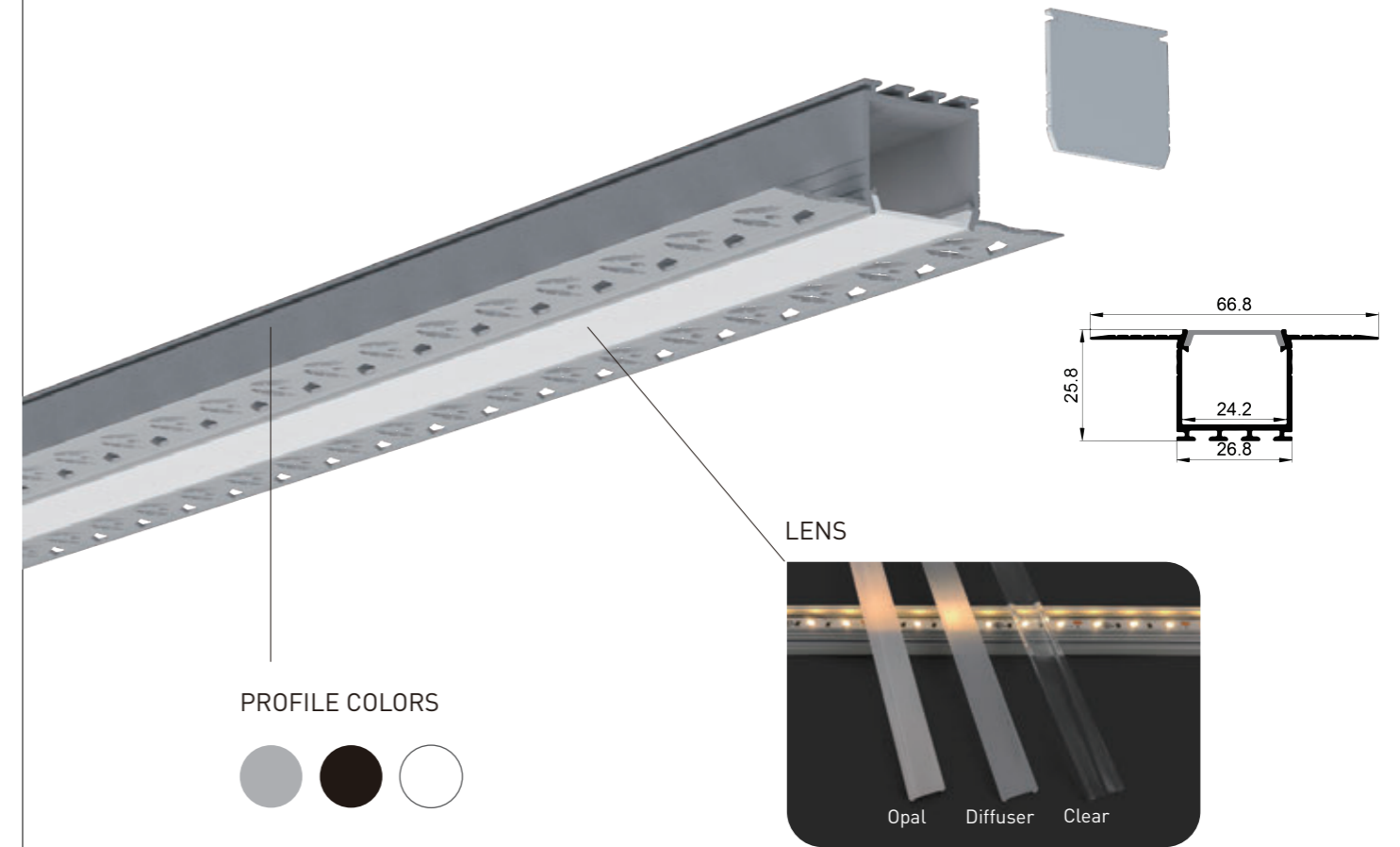
Performance	Part Code	Led Qty	Input Vol.	Power	CRI	Light Source Lumen	Diffuser Lens Lumen	Cutttable length	Max Run	Pcb Width
General	FN-2835T-120	120pcs/m	12/24VDC	14.40 W/m	90+	1512 lm/m	680 lm/m	12V=25mm 24V=50mm	12V=5m 24V=9m	10 mm
					95+	1282 lm/m	577 lm/m			
High Efficiency	FN-H2835T-128	128pcs/m	24VDC	11.52 W/m	90+	1613 lm/m	726 lm/m	24V=62.5mm	24V=6m	10 mm
				95+	1475 lm/m	664 lm/m				
	FN-H28350-160	160pcs/m	24VDC	24 W/m	90+	3480 lm/m	1739 lm/m	50mm	3m	10 mm
	FN-H2835T-160	160pcs/m	24VDC	14.40 W/m	90+	1987 lm/m	894 lm/m	24V=50mm	24V=5m	10 mm
				95+	1843 lm/m	829 lm/m				
FN-H28350-192	192pcs/m	24VDC	28.8 W/m	90+	4176 lm/m	2086 lm/m	41.7mm	2.5m	10 mm	
Long Run	LN-H2835T-80	80pcs/m	36VDC	5.18W/m	90+	580 lm/m	261 lm/m	100mm	50m	10 mm
				95+	482 lm/m	217 lm/m				
	LN-H2835T-112	112pcs/m	48VDC	11.52 W/m	90+	1336 lm/m	601 lm/m	125mm	25m	10 mm
				95+	1106 lm/m	498 lm/m				
	LN-H2835T-120	120pcs/m	24VDC	6.00 W/m	90+	588 lm/m	265 lm/m	50mm	21m	10 mm
				95+	486 lm/m	219 lm/m				
Short Cut	FN-F2835A-120	120pcs/m	12VDC	21.60 W/m	90+	1922 lm/m	865 lm/m	16.7mm	3.5m	10 mm
					95+	1595 lm/m	718 lm/m			

Remark: 1. The tested data based on silver finish in 4000K, CRI 90+ light source. 2. LN-H2835T-80 is good for long run, but it will show light spot.



TRIMLESS RECESSED SERIES

► SL672524



Installation: Trimless Recessed
 Length Available: 1-3m
 Profile Color: Silver, Black Anodized, White Powder Coating
 Lens: Opal, Diffuser, Clear
 Input Cable: Endcaps, Profile Bottom, Profile Sides
 Quick Female/Male Connectors Input cable & Junction Box available

TRIMLESS RECESSED SERIES

► SL672524

ORDERING CODE

Luminaire	Finish	Lens	Vol.	Power	CRI	CCT	Input Cable	Connector	Wiring
SL672524	W White	D Diffuser	12 12VDC	2.40W/m	90 90+	22-2200K , 24-2400K , 25-2500K 27-2700K , 30-3000K , 35-3500K 40-4000K , 50-5000K , 65-6500K	01 - Black&Red 22AWG	A - AMP male/female	B - Through profile back
				5.04W/m					
	B Black	O Opal	24 24VDC	5.18W/m	95 95+	22-2200K , 25-2500K , 27-2700K 30-3000K , 35-3500K , 40-4000K 50-5000K , 65-6500K	02 - Black&White 22AWG	M - Molex male/female	E - Through Endcaps
				5.76W/m					
	S Silver	C Clear	36 36VDC	6.00W/m	TW	Tunable White - check your executive sales	03 - White PU protected 2 pin	D - DC male/female	S - Through profile side
				7.68W/m					
				11.52W/m	D2W	Dim To Warm - check your executive sales	04 - 3Pin cable for Tunable white		
				14.40W/m					
				21.60W/m					
				24.00W/m					
				28.80W/m					

RECOMMENDED LIGHT SOURCE

Performance	Part Code	Led Qty	Input Vol.	Power	CRI	Light Source Lumen	Diffuser Lens Lumen	Cutttable length	Max Run	Pcb Width
General	FN-2835T-60	60pcs/m	12/24VDC	14.40 W/m	90+	1440 lm/m	648 lm/m	12V=25mm 24V=100mm	12V=5m 24V=9m	10 mm
					95+	1238 lm/m	557 lm/m			
High Efficiency	FN-H2835T-64	64pcs/m	24VDC	7.68 W/m	90+	1029 lm/m	463 lm/m	125mm	5m	10 mm
					95+	968 lm/m	436 lm/m			
	FN-H28350-80	80pcs/m	24VDC	14.40W/m	90+	2275 lm/m	1024 lm/m	100mm	4m	10 mm
Long Run	LN-2835T-60	60pcs/m	24VDC	5.04 W/m	90+	499 lm/m	225 lm/m	100mm	21m	10mm
					95+	413 lm/m	186 lm/m			
				2.4 W/m	90+	230 lm/m	104 lm/m	100mm	50m	10 mm
					95+	190 lm/m	86 lm/m			
	LN-2835T-56	56pcs/m	48VDC	5.76 W/m	90+	668 lm/m	301 lm/m	250mm	35m	10 mm
					95+	553 lm/m	249 lm/m			
Short Cut	FN-F2835A-60	60pcs/m	12VDC	14.4 W/m	90+	1239 lm/m	531 lm/m	33.3mm	5.5m	10 mm
					95+	979lm/m	441 lm/m			

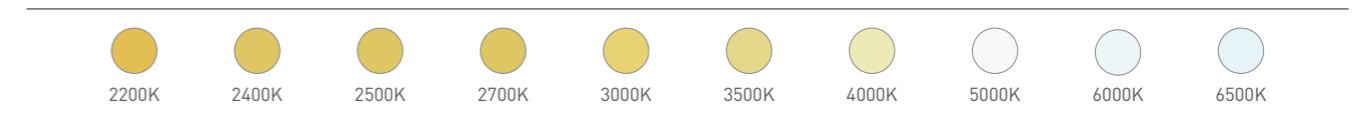
TRIMLESS RECESSED SERIES

► SL672524

RECOMMENDED LIGHT SOURCE

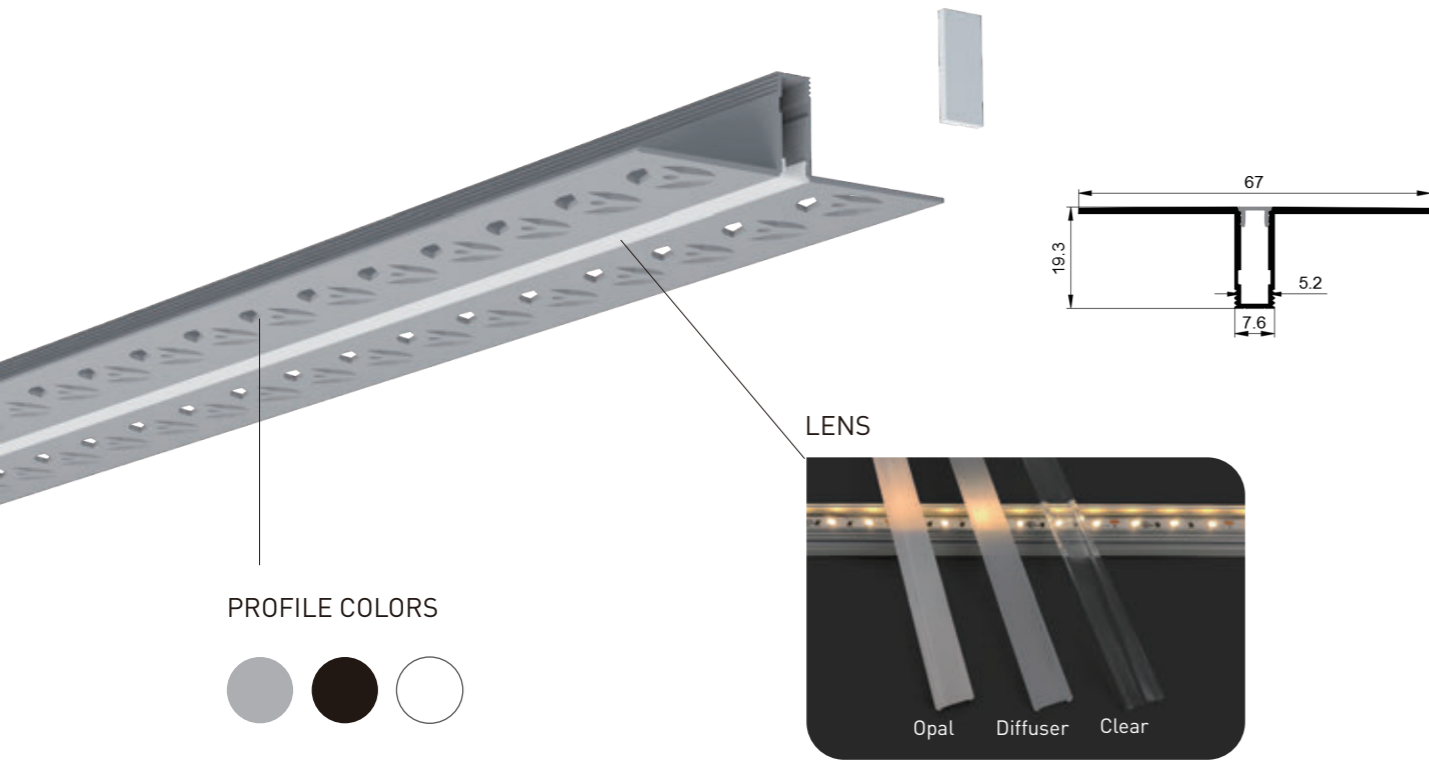
Performance	Part Code	Led Qty	Input Vol.	Power	CRI	Light Source Lumen	Diffuser Lens Lumen	Cutttable length	Max Run	Pcb Width
General	FN-2835T-120	120pcs/m	12/24VDC	14.40 W/m	90+	1512 lm/m	680 lm/m	12V=25mm 24V=50mm	12V=5m 24V=9m	10 mm
					95+	1282 lm/m	577 lm/m			
High Efficiency	FN-H2835T-128	128pcs/m	24VDC	11.52 W/m	90+	1613 lm/m	726 lm/m	24V=62.5mm	24V=6m	10 mm
					95+	1475 lm/m	664 lm/m			
	FN-H28350-160	160pcs/m	24VDC	24 W/m	90+	3480 lm/m	1739 lm/m	50mm	3m	10 mm
	FN-H2835T-160	160pcs/m	24VDC	14.40 W/m	90+	1987 lm/m	894 lm/m	24V=50mm	24V=5m	10 mm
				95+	1843 lm/m	829 lm/m				
Long Run	FN-H28350-192	192pcs/m	24VDC	28.8 W/m	90+	4176 lm/m	2086 lm/m	41.7mm	2.5m	10 mm
	LN-H2835T-80	80pcs/m	36VDC	5.18W/m	90+	580 lm/m	261 lm/m	100mm	50m	10 mm
					95+	482 lm/m	217 lm/m			
	LN-H2835T-112	112pcs/m	48VDC	11.52 W/m	90+	1336 lm/m	601 lm/m	125mm	25m	10 mm
					95+	1106 lm/m	498 lm/m			
	LN-H2835T-120	120pcs/m	24VDC	6.00 W/m	90+	588 lm/m	265 lm/m	50mm	21m	10 mm
				95+	486 lm/m	219 lm/m				
Short Cut	FN-F2835A-120	120pcs/m	12VDC	21.60 W/m	90+	1922 lm/m	865 lm/m	16.7mm	3.5m	10 mm
					95+	1595 lm/m	718 lm/m			

Remark: 1. The tested data based on silver finish in 4000K, CRI 90+ light source. 2. LN-H2835T-80 is good for long run, but it will show light spot.



TRIMLESS RECESSED SERIES

► SL671807



TRIMLESS RECESSED SERIES

► SL671807

ORDERING CODE

Luminaire	Finish	Lens	Vol.	Power	CRI	CCT	Input Cable	Connector	Wiring
SL671807	W White	D Diffuser	12 12VDC	4.8W/m	90 90+	22-2200K , 24-2400K , 25-2500K 27-2700K , 30-3000K , 35-3500K 40-4000K , 50-5000K , 65-6500K	01 - Black&Red 22AWG	A - AMP male/female	B - Through profile back
	B Black	O Opal	24 24VDC	9.6W/m	95 95+	22-2200K , 25-2500K , 27-2700K 30-3000K , 35-3500K , 40-4000K 50-5000K , 65-6500K	02 - Black&White 22AWG	M - Molex male/female	E - Through Endcaps
	S Silver	C Clear		12.24W/m			03 - White PU protected 2 pin	D - DC male/female	S - Through profile side
				28.8W/m			04 - 3Pin cable for Tunable white		
					TW	Tunable White - check your executive sales			
					D2W	Dim To Warm - check your executive sales			

RECOMMENDED LIGHT SOURCE

Part Code	Led Qty	Input Vol.	Power	CRI	Light Source Lumen	Diffuser Lens Lumen	Cutttable length	Max Run	Pcb Width
MN-2835A-60	60pcs/m	12/24VDC	4.8 W/m	90+	478 lm/m	186 lm/m	12V=25mm 24V=100mm	12V=3m 24V=5m	5 mm
				95+	397 lm/m	155 lm/m			
MN-2835A-120	120pcs/m	12/24VDC	9.6 W/m	90+	956 lm/m	373 lm/m	12V=25mm 24V=50mm	12V=1.5m 24V=3m	4 mm
				95+	793 lm/m	309 lm/m			
MN-2110-238	238pcs/m	24VDC	12.24 W/m	90+	1126 lm/m	439 lm/m	29.4mm	2m	4 mm
				95+	935 lm/m	364 lm/m			
MN-5630A-60	60pcs/m	24VDC	28.8 W/m	90+	1900 lm/m	741 lm/m	100mm	2m	6 mm
				95+	1577 lm/m	615 lm/m			

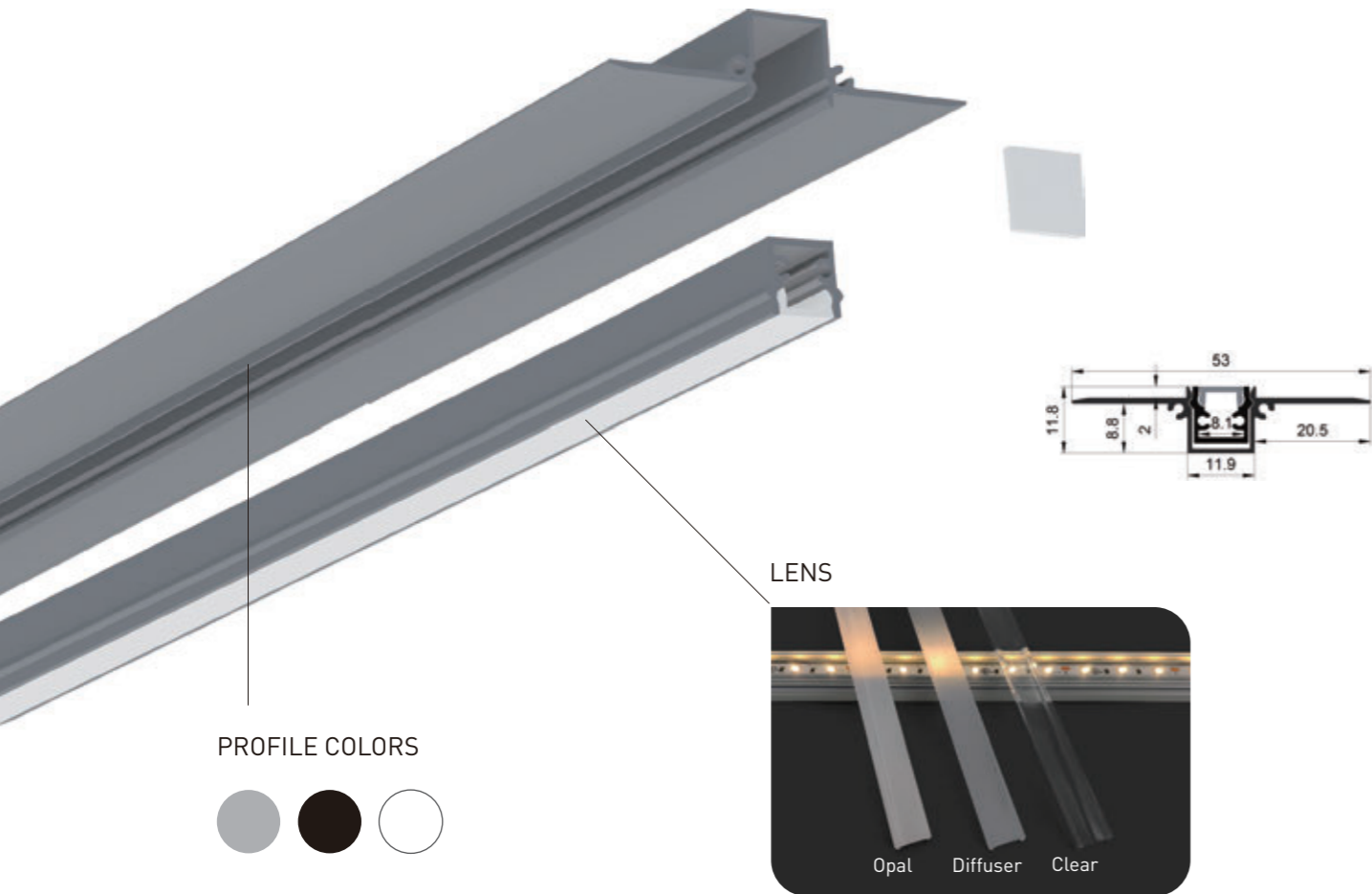
Remark: The tested data based on silver finish in 4000K, CRI 90+ light source.



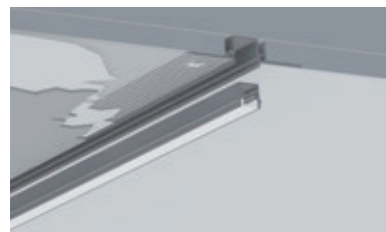
Installation: Trimless Recessed
 Length Available: 1-3m
 Profile Color: Silver, Black Anodized, White Powder Coating
 Lens: Opal, Diffuser, Clear
 Input Cable: Endcaps, Profile Bottom, Profile Sides
 Quick Female/Male Connectors Input cable & Junction Box available

TRIMLESS RECESSED SERIES

► SL531205



PROFILE COLORS



Installation: Trimless Recessed
 Length Available: 1-3m
 Profile Color: Silver, Black Anodized, White Powder Coating
 Lens: Opal, Diffuser, Clear
 Input Cable: Endcaps, Profile Bottom, Profile Sides
 Quick Female/Male Connectors Input cable & Junction Box available

TRIMLESS RECESSED SERIES

► SL531205

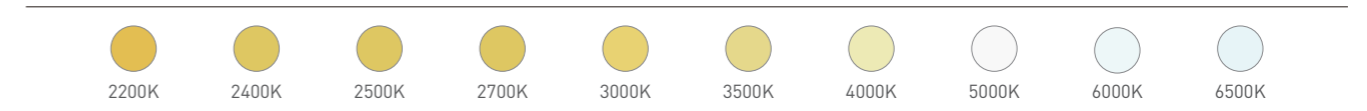
ORDERING CODE

Luminaire	Finish	Lens	Vol.	Power	CRI	CCT	Input Cable	Connector	Wiring
SL531205	W White	D Diffuser	12 12VDC	4.8W/m	90	22-2200K , 24-2400K , 25-2500K 27-2700K , 30-3000K , 35-3500K 40-4000K , 50-5000K , 65-6500K	01 - Black&Red 22AWG 02 - Black&White 22AWG 03 - White PU protected 2 pin 04 - 3Pin cable for Tunable white	A - AMP male/female M - Molex male/female D - DC male/female	B - Through profile back E - Through Endcaps S - Through profile side
	B Black	O Opal	24 24VDC	9.6W/m	95				
	S Silver	C Clear		12.24W/m	95+	TW Tunable White - check your executive sales			
				28.8W/m	D2W Dim To Warm - check your executive sales				

RECOMMENDED LIGHT SOURCE

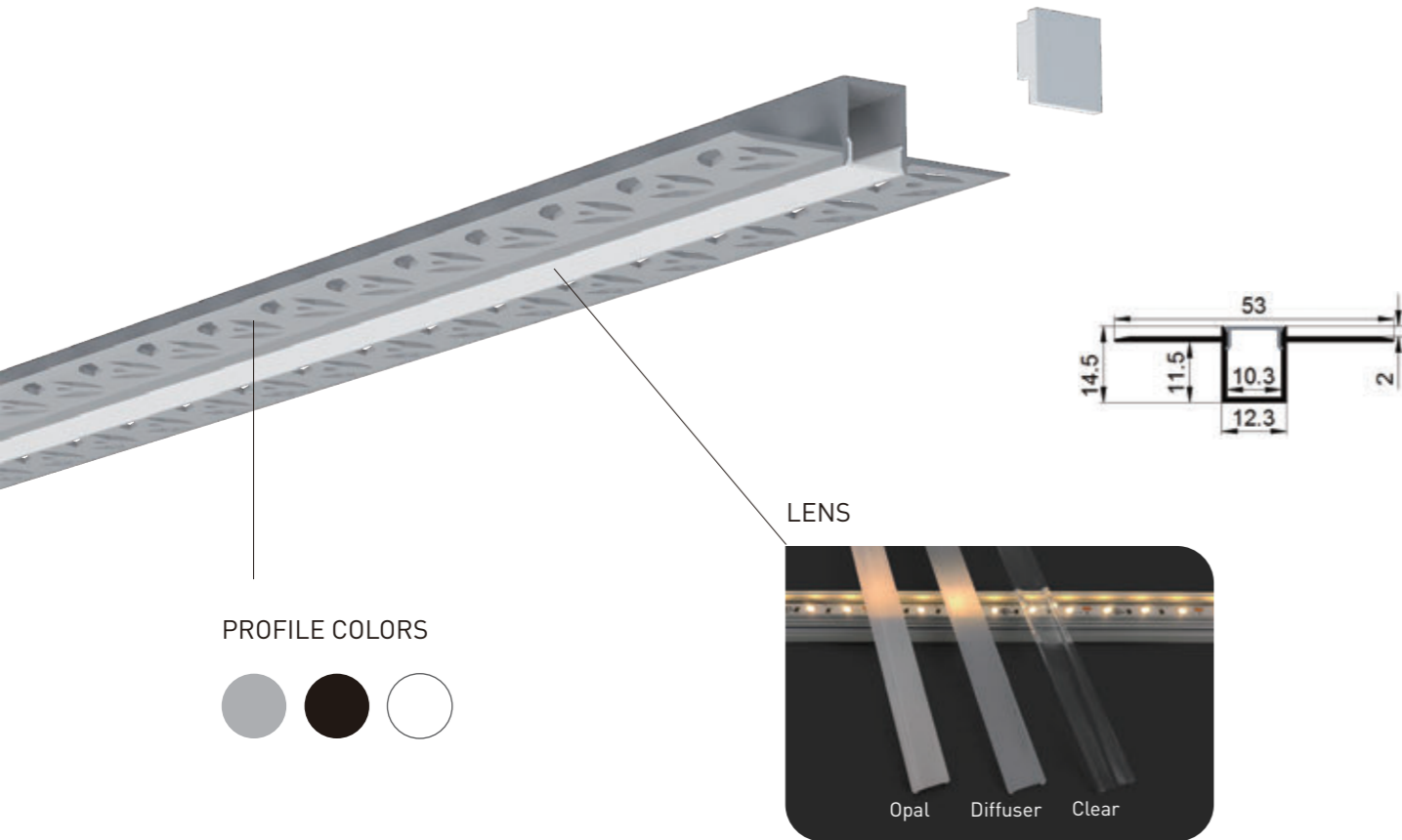
Part Code	Led Qty	Input Vol.	Power	CRI	Light Source Lumen	Diffuser Lens Lumen	Cutttable length	Max Run	Pcb Width
MN-2835A-60	60pcs/m	12/24VDC	4.8 W/m	90+	478 lm/m	186 lm/m	12V=25mm 24V=100mm	12V=3m 24V=5m	5 mm
				95+	397 lm/m	155 lm/m			
MN-2835A-120	120pcs/m	12/24VDC	9.6 W/m	90+	956 lm/m	373 lm/m	12V=25mm 24V=50mm	12V=1.5m 24V=3m	4 mm
				95+	793 lm/m	309 lm/m			
MN-2110-238	238pcs/m	24VDC	12.24 W/m	90+	1126 lm/m	439 lm/m	29.4mm	2m	4 mm
				95+	935 lm/m	364 lm/m			
MN-5630A-60	60pcs/m	24VDC	28.8 W/m	90+	1900 lm/m	741 lm/m	100mm	2m	6 mm
				95+	1577 lm/m	615 lm/m			

Remark: The tested data based on silver finish in 4000K, CRI 90+ light source.



TRIMLESS RECESSED SERIES

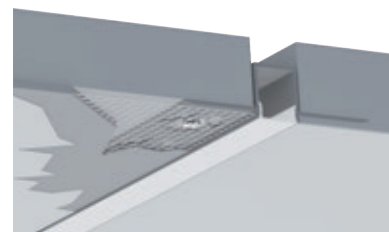
► SL531510



PROFILE COLORS



Opal Diffuser Clear



Installation: Trimless Recessed
 Length Available: 1-3m
 Profile Color: Silver, Black Anodized, White Powder Coating
 Lens: Opal, Diffuser, Clear
 Input Cable: Endcaps, Profile Bottom, Profile Sides
 Quick Female/Male Connectors Input cable & Junction Box available

TRIMLESS RECESSED SERIES

► SL531510

ORDERING CODE

Luminaire	Finish	Lens	Vol.	Power	CRI	CCT	Input Cable	Connector	Wiring
SL531510	W White	D Diffuser	12 12VDC	5.18W/m	90 90+	22-2200K, 24-2400K, 25-2500K 27-2700K, 30-3000K, 35-3500K 40-4000K, 50-5000K, 65-6500K	01 - Black&Red 22AWG 02 - Black&White 22AWG 03 - White PU protected 2 pin 04 - 3Pin cable for Tunable white	A - AMP male/female M - Molex male/female D - DC male/female	B - Through profile back E - Through Endcaps S - Through profile side
	B Black	O Opal	24 24VDC	11.52W/m	95 95+	22-2200K, 25-2500K, 27-2700K 30-3000K, 35-3500K, 40-4000K 50-5000K, 65-6500K			
	S Silver	C Clear	36 36VDC	14.40W/m	TW	Tunable White - check your executive sales			
			48 48VDC	21.60W/m 24.00W/m 28.80W/m	D2W	Dim To Warm - check your executive sales			

RECOMMENDED LIGHT SOURCE

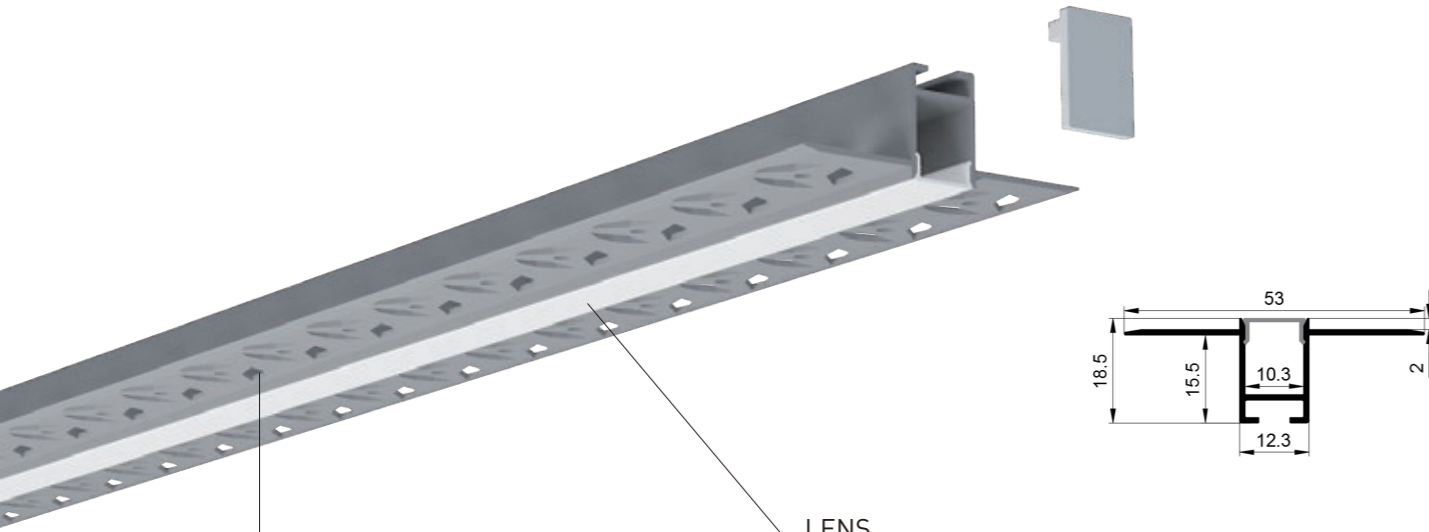
Performance	Part Code	Led Qty	Input Vol.	Power	CRI	Light Source Lumen	Diffuser Lens Lumen	Cuttable length	Max Run	Pcb Width
General	FN-2835T-120	120pcs/m	12/24VDC	14.40 W/m	90+	1512 lm/m	680lm/m	12V=25mm 24V=50mm	12V=5m 24V=9m	10 mm
					95+	1282 lm/m	577lm/m			
High Efficiency	FN-H2835T-128	128pcs/m	24VDC	11.52 W/m	90+	1613 lm/m	726lm/m	24V=62.5mm	24V=6m	10 mm
				95+	1475 lm/m	664lm/m				
	FN-H28350-160	160pcs/m	24VDC	24 W/m	90+	3480 lm/m	1739lm/m	50mm	3m	10 mm
	FN-H2835T-160	160pcs/m	24VDC	14.40 W/m	90+	1987 lm/m	894lm/m	24V=50mm	24V=5m	10 mm
			95+	1843 lm/m	829lm/m					
Long Run	FN-H28350-192	192pcs/m	24VDC	28.8 W/m	90+	4176 lm/m	2086lm/m	41.7mm	2.5m	10 mm
	LN-H2835T-80	80pcs/m	36VDC	5.18W/m	90+	580 lm/m	261lm/m	100mm	50m	10 mm
				95+	482 lm/m	217lm/m				
	LN-H2835T-112	112pcs/m	48VDC	11.52 W/m	90+	1336 lm/m	601lm/m	125mm	25m	10 mm
				95+	1106 lm/m	498lm/m				
	LN-H2835T-120	120pcs/m	24VDC	6.00 W/m	90+	588 lm/m	265lm/m	50mm	21m	10 mm
			95+	486 lm/m	219lm/m					
Short Cut	FN-F2835A-120	120pcs/m	12VDC	21.60 W/m	90+	1922 lm/m	865lm/m	16.7mm	3.5m	10 mm
					95+	1595 lm/m	718lm/m			

Remark: 1. The tested data based on silver finish in 4000K, CRI 90+ light source. 2. LN-H2835T-80 is good for long run, but it will show light spot.

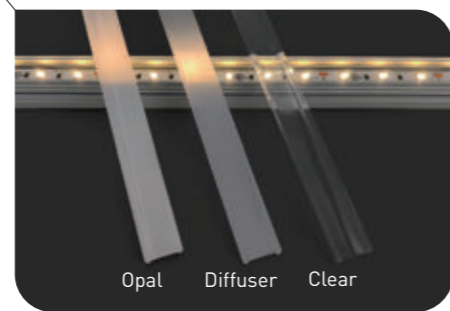


TRIMLESS RECESSED SERIES

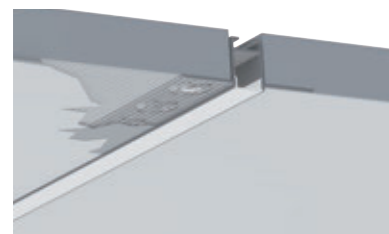
► SL531910



LENS



PROFILE COLORS



Installation: Trimless Recessed
 Length Available: 1-3m
 Profile Color: Silver, Black Anodized, White Powder Coating
 Lens: Opal, Diffuser, Clear
 Input Cable: Endcaps, Profile Bottom, Profile Sides
 Quick Female/Male Connectors Input cable & Junction Box available

TRIMLESS RECESSED SERIES

► SL531910

ORDERING CODE

Luminaire	Finish	Lens	Vol.	Power	CRI	CCT	Input Cable	Connector	Wiring
SL531910	W White	D Diffuser	12 12VDC	5.18W/m	90 90+	22-2200K, 24-2400K, 25-2500K 27-2700K, 30-3000K, 35-3500K 40-4000K, 50-5000K, 65-6500K	01 - Black&Red 22AWG 02 - Black&White 22AWG 03 - White PU protected 2 pin 04 - 3Pin cable for Tunable white	A - AMP male/female M - Molex male/female D - DC male/female	B - Through profile back E - Through Endcaps S - Through profile side
	B Black	O Opal	24 24VDC	11.52W/m	95 95+	22-2200K, 25-2500K, 27-2700K 30-3000K, 35-3500K, 40-4000K 50-5000K, 65-6500K			
	S Silver	C Clear	36 36VDC	14.40W/m	TW	Tunable White - check your executive sales			
			48 48VDC	21.60W/m 24.00W/m 28.80W/m	D2W	Dim To Warm - check your executive sales			

RECOMMENDED LIGHT SOURCE

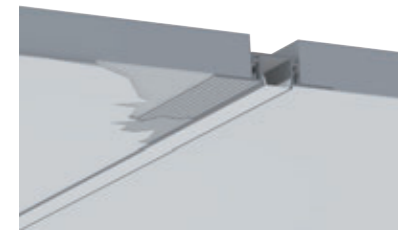
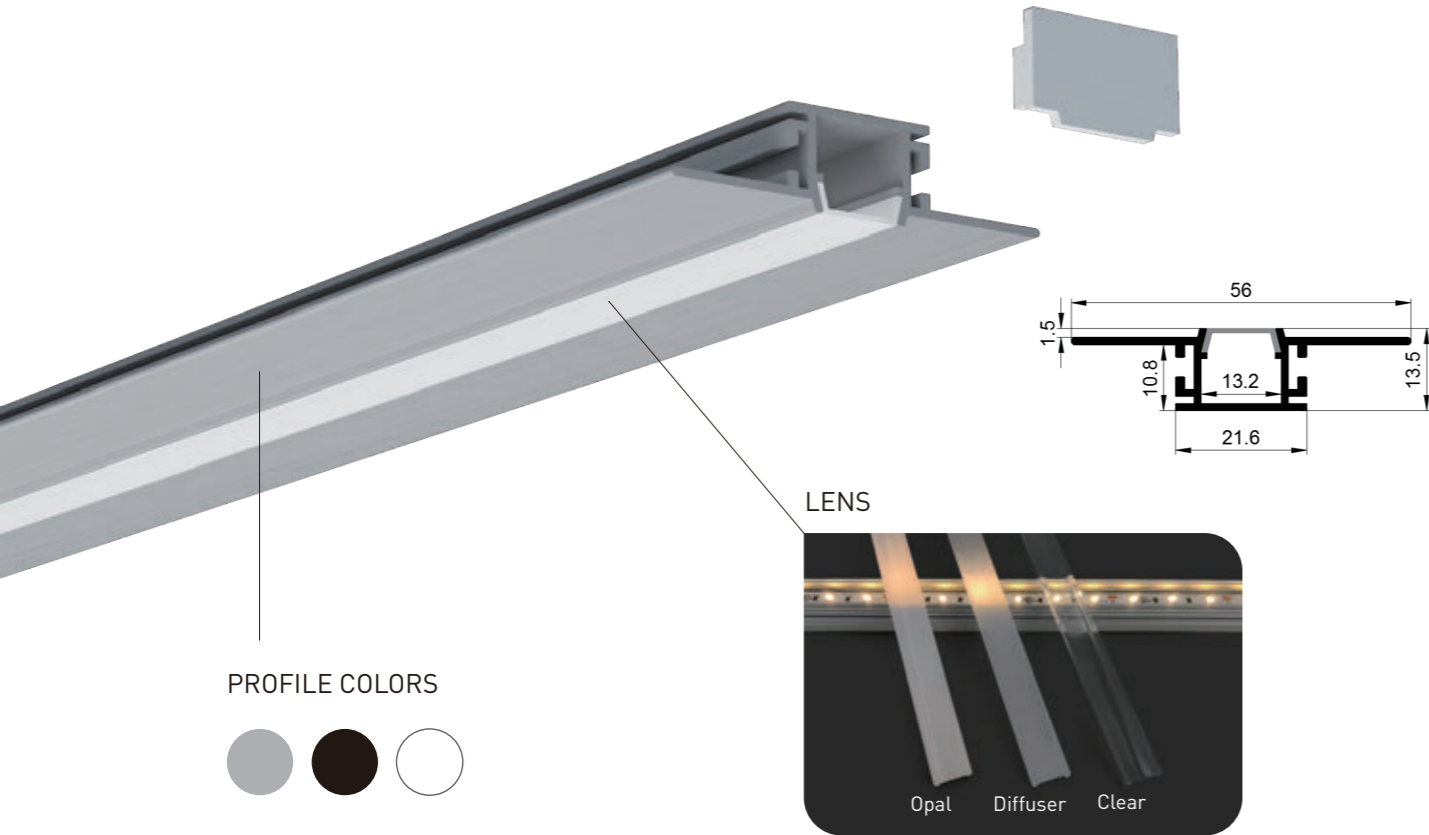
Performance	Part Code	Led Qty	Input Vol.	Power	CRI	Light Source Lumen	Diffuser Lens Lumen	Cuttable length	Max Run	Pcb Width
General	FN-2835T-120	120pcs/m	12/24VDC	14.40 W/m	90+	1512 lm/m	680lm/m	12V=25mm 24V=50mm	12V=5m 24V=9m	10 mm
					95+	1282 lm/m	577lm/m			
High Efficiency	FN-H2835T-128	128pcs/m	24VDC	11.52 W/m	90+	1613 lm/m	726lm/m	24V=62.5mm	24V=6m	10 mm
					95+	1475 lm/m	664lm/m			
	FN-H28350-160	160pcs/m	24VDC	24 W/m	90+	3480 lm/m	1739lm/m	50mm	3m	10 mm
					90+	1987 lm/m	894lm/m			
						95+	1843 lm/m			
FN-H28350-192	192pcs/m	24VDC	28.8 W/m	90+	4176 lm/m	2086lm/m	41.7mm	2.5m	10 mm	
Long Run	LN-H2835T-80	80pcs/m	36VDC	5.18W/m	90+	580 lm/m	261lm/m	100mm	50m	10 mm
					95+	482 lm/m	217lm/m			
	LN-H2835T-112	112pcs/m	48VDC	11.52 W/m	90+	1336 lm/m	601lm/m	125mm	25m	10 mm
					95+	1106 lm/m	498lm/m			
	LN-H2835T-120	120pcs/m	24VDC	6.00 W/m	90+	588 lm/m	265lm/m	50mm	21m	10 mm
					95+	486 lm/m	219lm/m			
Short Cut	FN-F2835A-120	120pcs/m	12VDC	21.60 W/m	90+	1922 lm/m	865lm/m	16.7mm	3.5m	10 mm
					95+	1595 lm/m	718lm/m			

Remark: 1. The tested data based on silver finish in 4000K, CRI 90+ light source. 2. LN-H2835T-80 is good for long run, but it will show light spot.



TRIMLESS RECESSED SERIES

► SL5614K13



Installation: Trimless Recessed
 Length Available: 1-3m
 Profile Color: Silver, Black Anodized, White Powder Coating
 Lens: Opal, Diffuser, Clear
 Input Cable: Endcaps, Profile Bottom, Profile Sides
 Quick Female/Male Connectors Input cable & Junction Box available

TRIMLESS RECESSED SERIES

► SL5614K13

ORDERING CODE

Luminaire	Finish	Lens	Vol.	Power	CRI	CCT	Input Cable	Connector	Wiring
SL5614K13	W White	D Diffuser	12 12VDC	5.18W/m	90 90+	22-2200K, 24-2400K, 25-2500K 27-2700K, 30-3000K, 35-3500K 40-4000K, 50-5000K, 65-6500K	01 - Black&Red 22AWG	A - AMP male/female	B - Through profile back
	B Black	O Opal	24 24VDC	11.52W/m	95 95+	22-2200K, 25-2500K, 27-2700K 30-3000K, 35-3500K, 40-4000K 50-5000K, 65-6500K	02 - Black&White 22AWG	M - Molex male/female	E - Through Endcaps
	S Silver	C Clear	36 36VDC	14.40W/m			03 - White PU protected 2 pin	D - DC male/female	S - Through profile side
			48 48VDC	21.60W/m 24.00W/m 28.80W/m				04 - 3Pin cable for Tunable white	
					TW	Tunable White - check your executive sales			
					D2W	Dim To Warm - check your executive sales			

RECOMMENDED LIGHT SOURCE

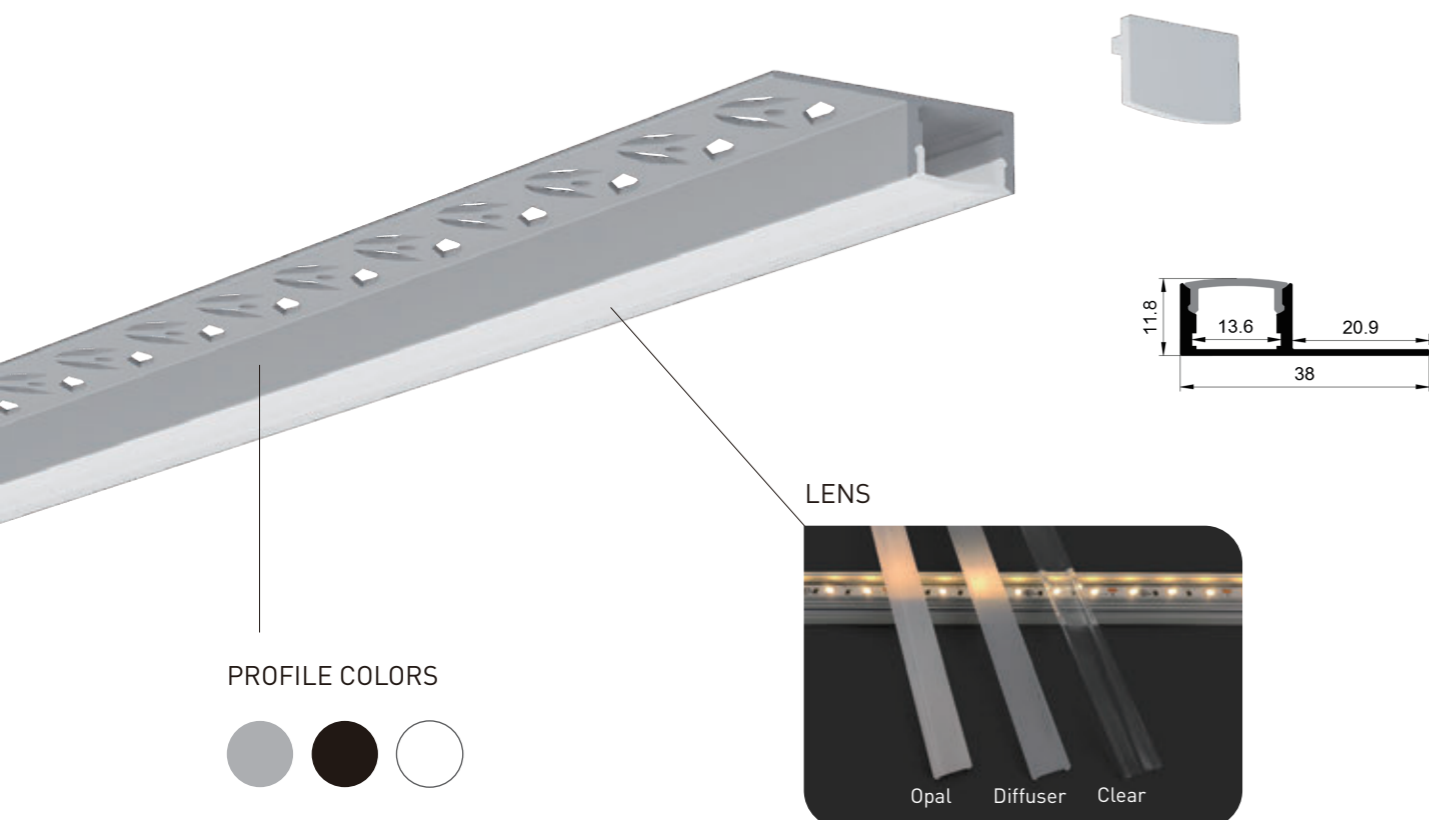
Performance	Part Code	Led Qty	Input Vol.	Power	CRI	Light Source Lumen	Diffuser Lens Lumen	Cuttable length	Max Run	Pcb Width
General	FN-2835T-120	120pcs/m	12/24VDC	14.40 W/m	90+	1512 lm/m	680lm/m	12V=25mm 24V=50mm	12V=5m 24V=9m	10 mm
					95+	1282 lm/m	577lm/m			
High Efficiency	FN-H2835T-128	128pcs/m	24VDC	11.52 W/m	90+	1613 lm/m	726lm/m	24V=62.5mm	24V=6m	10 mm
	FN-H2835O-160	160pcs/m	24VDC	24 W/m	90+	3480 lm/m	1739lm/m	50mm	3m	10 mm
	FN-H2835T-160	160pcs/m	24VDC	14.40 W/m	90+	1987 lm/m	894lm/m	24V=50mm	24V=5m	10 mm
	FN-H2835O-192	192pcs/m	24VDC	28.8 W/m	90+	4176 lm/m	2086lm/m	41.7mm	2.5m	10 mm
Long Run	LN-H2835T-80	80pcs/m	36VDC	5.18W/m	90+	580 lm/m	261lm/m	100mm	50m	10 mm
	LN-H2835T-112	112pcs/m	48VDC	11.52 W/m	90+	1336 lm/m	601lm/m	125mm	25m	10 mm
	LN-H2835T-120	120pcs/m	24VDC	6.00 W/m	90+	588 lm/m	265lm/m	50mm	21m	10 mm
Short Cut	FN-F2835A-120	120pcs/m	12VDC	21.60 W/m	90+	1922 lm/m	865lm/m	16.7mm	3.5m	10 mm
					95+	1595 lm/m	718lm/m			

Remark: 1. The tested data based on silver finish in 4000K, CRI 90+ light source. 2. LN-H2835T-80 is good for long run, but it will show light spot.



TRIMLESS RECESSED SERIES

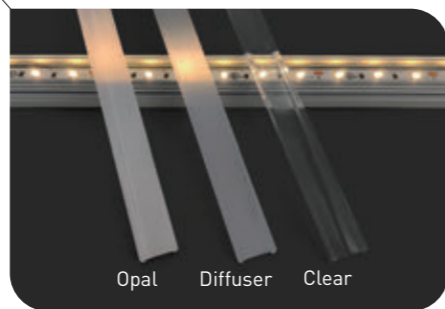
► SL381113



PROFILE COLORS



LENS



Installation: Trimless Recessed
 Length Available: 1-3m
 Profile Color: Silver, Black Anodized, White Powder Coating
 Lens: Opal, Diffuser, Clear
 Input Cable: Endcaps, Profile Bottom, Profile Sides
 Quick Female/Male Connectors Input cable & Junction Box available

TRIMLESS RECESSED SERIES

► SL381113

ORDERING CODE

Luminaire	Finish	Lens	Vol.	Power	CRI	CCT	Input Cable	Connector	Wiring
SL381113	W White	D Diffuser	12 12VDC	5.18W/m	90 90+	22-2200K, 24-2400K, 25-2500K 27-2700K, 30-3000K, 35-3500K 40-4000K, 50-5000K, 65-6500K	01 - Black&Red 22AWG 02 - Black&White 22AWG 03 - White PU protected 2 pin 04 - 3Pin cable for Tunable white	A - AMP male/female M - Molex male/female D - DC male/female	B - Through profile back E - Through Endcaps S - Through profile side
	B Black	O Opal	24 24VDC	11.52W/m	95 95+	22-2200K, 25-2500K, 27-2700K 30-3000K, 35-3500K, 40-4000K 50-5000K, 65-6500K			
	S Silver	C Clear	36 36VDC	14.40W/m	TW	Tunable White - check your executive sales			
			48 48VDC	21.60W/m 24.00W/m 28.80W/m	D2W	Dim To Warm - check your executive sales			

RECOMMENDED LIGHT SOURCE

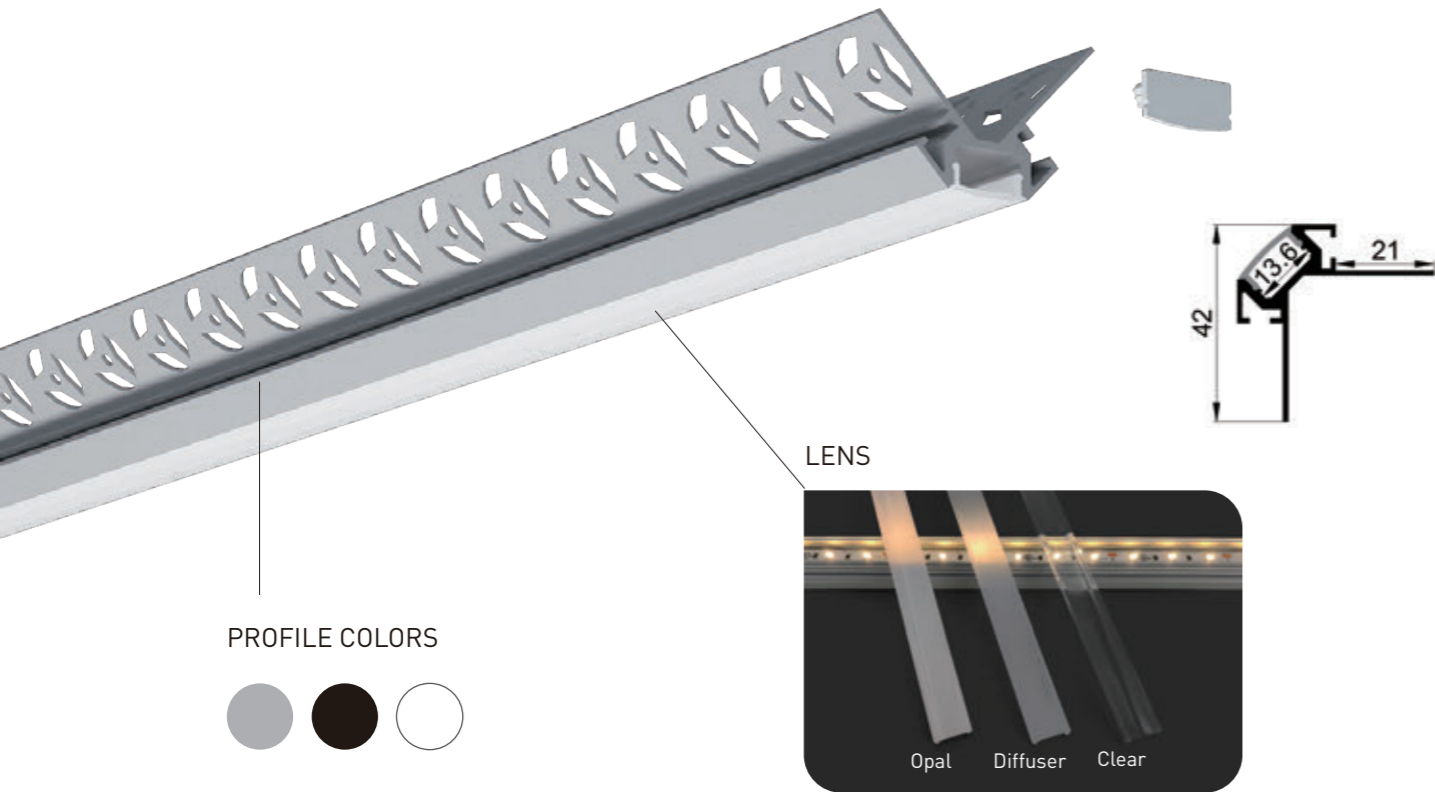
Performance	Part Code	Led Qty	Input Vol.	Power	CRI	Light Source Lumen	Diffuser Lens Lumen	Cuttable length	Max Run	Pcb Width
General	FN-2835T-120	120pcs/m	12/24VDC	14.40 W/m	90+	1512 lm/m	680lm/m	12V=25mm 24V=50mm	12V=5m 24V=9m	10 mm
					95+	1282 lm/m	577lm/m			
High Efficiency	FN-H2835T-128	128pcs/m	24VDC	11.52 W/m	90+	1613 lm/m	726lm/m	24V=62.5mm	24V=6m	10 mm
					95+	1475 lm/m	664lm/m			
	FN-H28350-160	160pcs/m	24VDC	24 W/m	90+	3480 lm/m	1739lm/m	50mm	3m	10 mm
					95+	1987 lm/m	894lm/m			
						1843 lm/m	829lm/m			
FN-H28350-192	192pcs/m	24VDC	28.8 W/m	90+	4176 lm/m	2086lm/m	41.7mm	2.5m	10 mm	
Long Run	LN-H2835T-80	80pcs/m	36VDC	5.18W/m	90+	580 lm/m	261lm/m	100mm	50m	10 mm
					95+	482 lm/m	217lm/m			
	LN-H2835T-112	112pcs/m	48VDC	11.52 W/m	90+	1336 lm/m	601lm/m	125mm	25m	10 mm
					95+	1106 lm/m	498lm/m			
	LN-H2835T-120	120pcs/m	24VDC	6.00 W/m	90+	588 lm/m	265lm/m	50mm	21m	10 mm
					95+	486 lm/m	219lm/m			
Short Cut	FN-F2835A-120	120pcs/m	12VDC	21.60 W/m	90+	1922 lm/m	865lm/m	16.7mm	3.5m	10 mm
					95+	1595 lm/m	718lm/m			

Remark: 1. The tested data based on silver finish in 4000K, CRI 90+ light source. 2. LN-H2835T-80 is good for long run, but it will show light spot.



TRIMLESS RECESSED SERIES

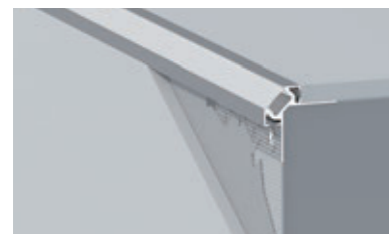
► SL424213



PROFILE COLORS



Opal Diffuser Clear



Installation: Trimless Recessed
 Length Available: 1-3m
 Profile Color: Silver, Black Anodized, White Powder Coating
 Lens: Opal, Diffuser, Clear
 Input Cable: Endcaps, Profile Bottom, Profile Sides
 Quick Female/Male Connectors Input cable & Junction Box available

TRIMLESS RECESSED SERIES

► SL424213

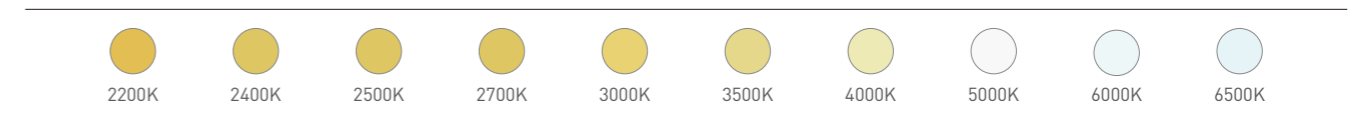
ORDERING CODE

Luminaire	Finish	Lens	Vol.	Power	CRI	CCT	Input Cable	Connector	Wiring
SL424213	W White	D Diffuser	24 24VDC	12.96W/m	90 90+	22-2200K , 24-2400K 25-2500K , 27-2700K 30-3000K , 35-3500K 40-4000K , 50-5000K 65-6500K	01 - Black&Red 22AWG 02 - Black&White 22AWG 03 - White PU protected 2 pin 04 - 3Pin cable for Tunable white	A - AMP male/female M - Molex male/female D - DC male/female	B - Through profile back E - Through Endcaps S - Through profile side
	B Black	O Opal		16.42W/m					
	S Silver	C Clear		17.28W/m					
					TW	Tunable White - check your executive sales			
					D2W	Dim To Warm - check your executive sales			

RECOMMENDED LIGHT SOURCE

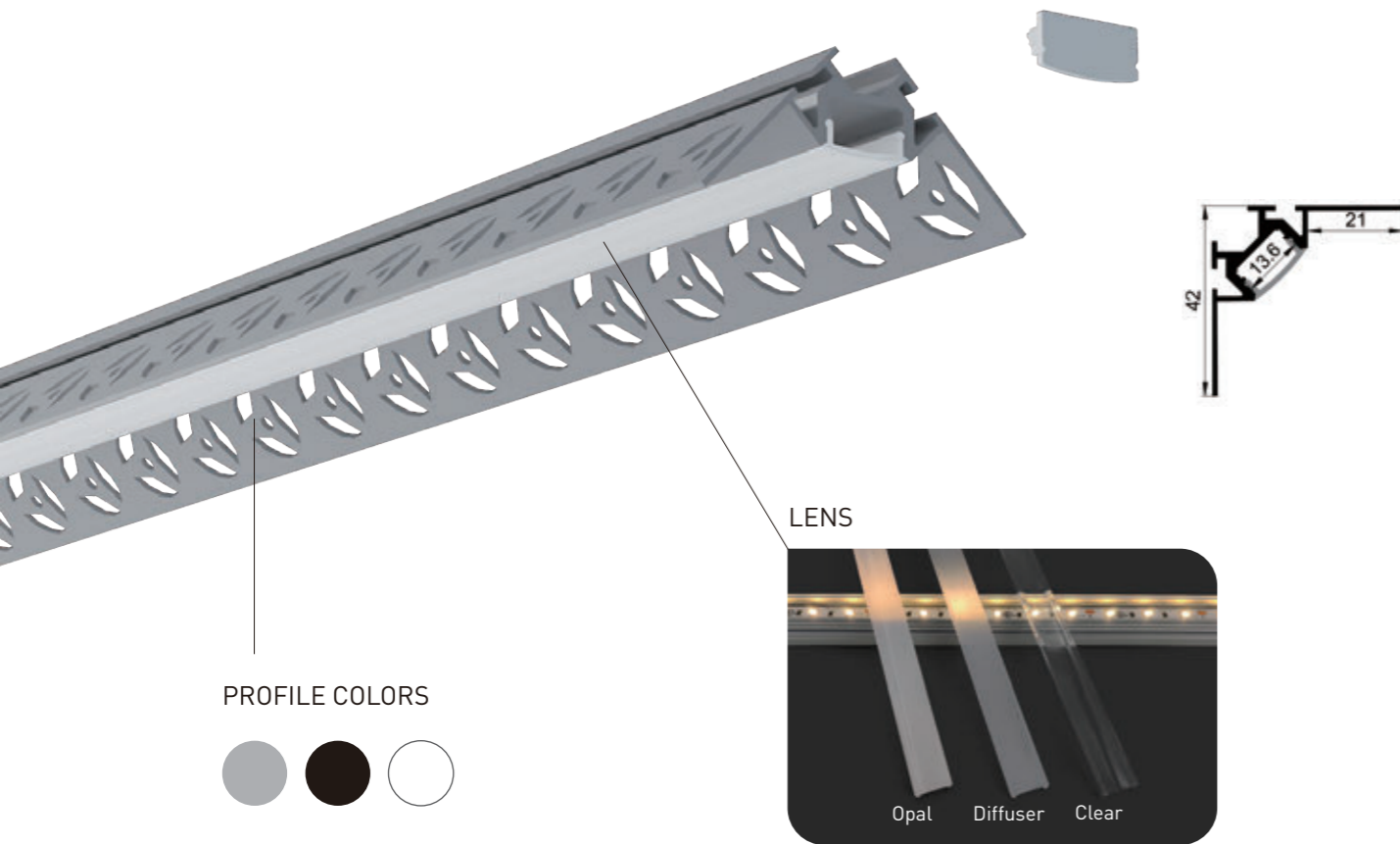
Part Code	Led Qty	Input Vol.	Power	CRI	Light Source Lumen	Diffuser Lens Lumen	Cuttable length	Max Run	Pcb Width
FN-2016-180	180pcs/m	24VDC	12.96W/m	90+	1000 lm/m	780 lm/m	33mm	3m	10mm
FN-2016-240	240pcs/m		17.28W/m	90+	1300 lm/m	1014 lm/m	25mm		
FN-2016-266	266pcs/m	24VDC	16.42W/m	90+	1700 lm/m	986 lm/m	26.3mm	3m	10mm

Remark: The tested data based on silver finish in 4000K, CRI 90+ light source.



TRIMLESS RECESSED SERIES

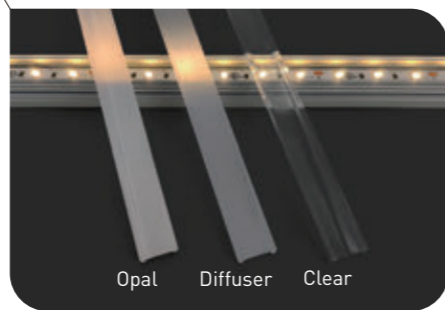
► SL4242B13



PROFILE COLORS



LENS



Installation: Trimless Recessed
 Length Available: 1-3m
 Profile Color: Silver, Black Anodized, White Powder Coating
 Lens: Opal, Diffuser, Clear
 Input Cable: Endcaps, Profile Bottom, Profile Sides
 Quick Female/Male Connectors Input cable & Junction Box available

TRIMLESS RECESSED SERIES

► SL4242B13

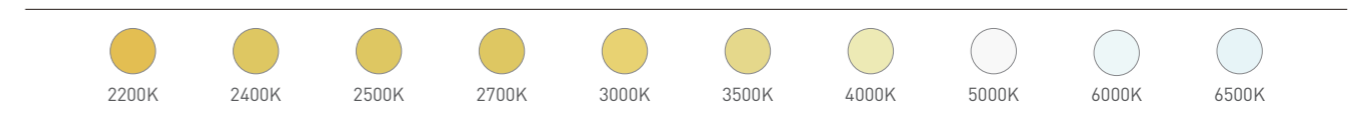
ORDERING CODE

Luminaire	Finish	Lens	Vol.	Power	CRI	CCT	Input Cable	Connector	Wiring
SL4242B13	W White	D Diffuser	24 24VDC	12.96W/m	90 90+	22-2200K , 24-2400K 25-2500K , 27-2700K 30-3000K , 35-3500K 40-4000K , 50-5000K 65-6500K	01 - Black&Red 22AWG 02 - Black&White 22AWG 03 - White PU protected 2 pin 04 - 3Pin cable for Tunable white	A - AMP male/female M - Molex male/female D - DC male/female	B - Through profile back E - Through Endcaps S - Through profile side
	B Black	O Opal		16.42W/m					
	S Silver	C Clear		17.28W/m					
					TW	Tunable White - check your executive sales			
					D2W	Dim To Warm - check your executive sales			

RECOMMENDED LIGHT SOURCE

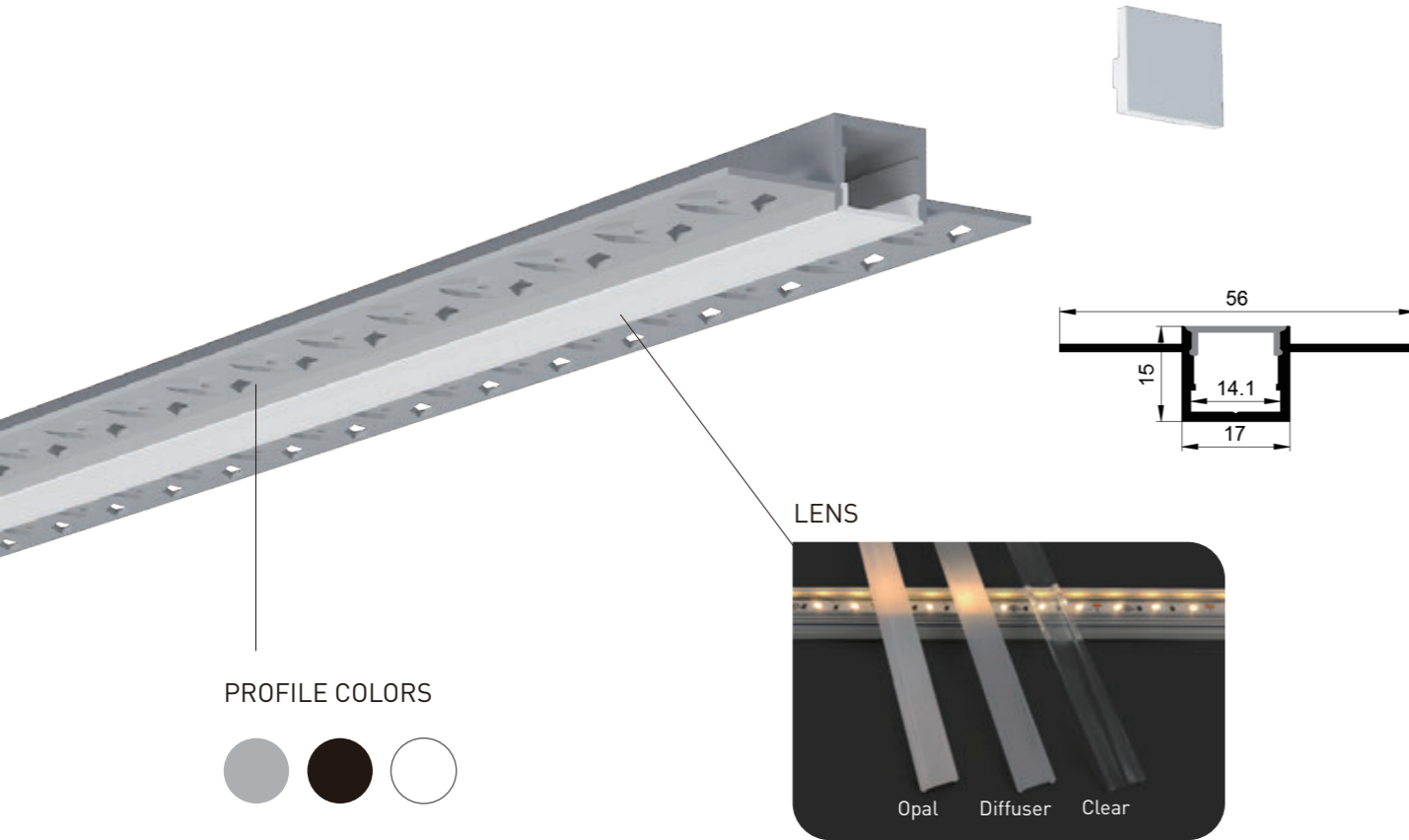
Part Code	Led Qty	Input Vol.	Power	CRI	Light Source Lumen	Diffuser Lens Lumen	Cutttable length	Max Run	Pcb Width
FN-2016-180	180pcs/m	24VDC	12.96W/m	90+	1000 lm/m	780 lm/m	33mm	3m	10mm
FN-2016-240	240pcs/m		17.28W/m	90+	1300 lm/m	1014 lm/m	25mm		
FN-2016-266	266pcs/m	24VDC	16.42W/m	90+	1700 lm/m	986 lm/m	26.3mm	3m	10mm

Remark: The tested data based on silver finish in 4000K, CRI 90+ light source.



TRIMLESS RECESSED SERIES

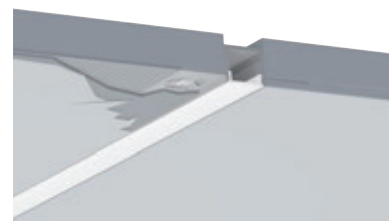
► SL561514



PROFILE COLORS



Opal Diffuser Clear



Installation: Trimless Recessed
 Length Available: 1-3m
 Profile Color: Silver, Black Anodized, White Powder Coating
 Lens: Opal, Diffuser, Clear
 Input Cable: Endcaps, Profile Bottom, Profile Sides
 Quick Female/Male Connectors Input cable & Junction Box available

TRIMLESS RECESSED SERIES

► SL561514

ORDERING CODE

Luminaire	Finish	Lens	Vol.	Power	CRI	CCT	Input Cable	Connector	Wiring
SL561514	W White	D Diffuser	12 12VDC	5.18W/m	90 90+	22-2200K , 24-2400K , 25-2500K 27-2700K , 30-3000K , 35-3500K 40-4000K , 50-5000K , 65-6500K	01 - Black&Red 22AWG 02 - Black&White 22AWG 03 - White PU protected 2 pin 04 - 3Pin cable for Tunable white	A - AMP male/female M - Molex male/female D - DC male/female	B - Through profile back E - Through Endcaps S - Through profile side
	B Black	O Opal	24 24VDC	11.52W/m	95 95+	22-2200K , 25-2500K , 27-2700K 30-3000K , 35-3500K , 40-4000K 50-5000K , 65-6500K			
	S Silver	C Clear	36 36VDC	14.40W/m	TW	Tunable White - check your executive sales			
			48 48VDC	21.60W/m 24.00W/m 28.80W/m	D2W	Dim To Warm - check your executive sales			

RECOMMENDED LIGHT SOURCE

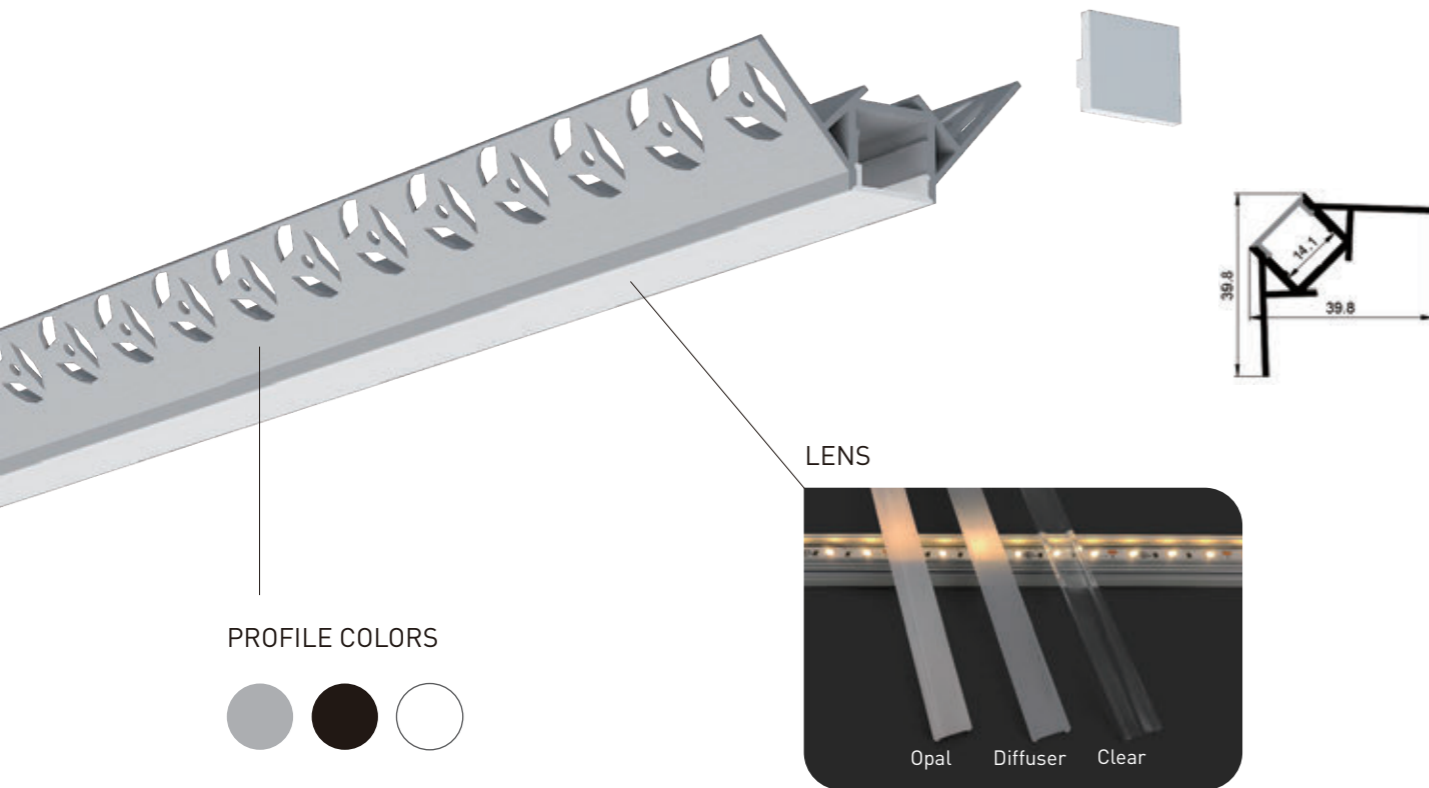
Performance	Part Code	Led Qty	Input Vol.	Power	CRI	Light Source Lumen	Diffuser Lens Lumen	Cuttable length	Max Run	Pcb Width
General	FN-2835T-120	120pcs/m	12/24VDC	14.40 W/m	90+	1512 lm/m	680lm/m	12V=25mm 24V=50mm	12V=5m 24V=9m	10 mm
					95+	1282 lm/m	577lm/m			
High Efficiency	FN-H2835T-128	128pcs/m	24VDC	11.52 W/m	90+	1613 lm/m	726lm/m	24V=62.5mm	24V=6m	10 mm
					95+	1475 lm/m	664lm/m			
	FN-H28350-160	160pcs/m	24VDC	24 W/m	90+	3480 lm/m	1739lm/m	50mm	3m	10 mm
					90+	1987 lm/m	894lm/m			
						95+	1843 lm/m			
FN-H28350-192	192pcs/m	24VDC	28.8 W/m	90+	4176 lm/m	2086lm/m	41.7mm	2.5m	10 mm	
Long Run	LN-H2835T-80	80pcs/m	36VDC	5.18W/m	90+	580 lm/m	261lm/m	100mm	50m	10 mm
					95+	482 lm/m	217lm/m			
	LN-H2835T-112	112pcs/m	48VDC	11.52 W/m	90+	1336 lm/m	601lm/m	125mm	25m	10 mm
					95+	1106 lm/m	498lm/m			
	LN-H2835T-120	120pcs/m	24VDC	6.00 W/m	90+	588 lm/m	265lm/m	50mm	21m	10 mm
					95+	486 lm/m	219lm/m			
Short Cut	FN-F2835A-120	120pcs/m	12VDC	21.60 W/m	90+	1922 lm/m	865lm/m	16.7mm	3.5m	10 mm
					95+	1595 lm/m	718lm/m			

Remark: 1. The tested data based on silver finish in 4000K, CRI 90+ light source. 2. LN-H2835T-80 is good for long run, but it will show light spot.



TRIMLESS RECESSED SERIES

► SL393914



Installation: Trimless Recessed
 Length Available: 1-3m
 Profile Color: Silver, Black Anodized, White Powder Coating
 Lens: Opal, Diffuser, Clear
 Input Cable: Endcaps, Profile Bottom, Profile Sides
 Quick Female/Male Connectors Input cable & Junction Box available

TRIMLESS RECESSED SERIES

► SL393914

ORDERING CODE

Luminaire	Finish	Lens	Vol.	Power	CRI	CCT	Input Cable	Connector	Wiring
SL393914	W White	D Diffuser	12 12VDC	5.18W/m	90 90+	22-2200K , 24-2400K , 25-2500K 27-2700K , 30-3000K , 35-3500K 40-4000K , 50-5000K , 65-6500K	01 - Black&Red 22AWG 02 - Black&White 22AWG 03 - White PU protected 2 pin 04 - 3Pin cable for Tunable white	A - AMP male/female M - Molex male/female D - DC male/female	B - Through profile back E - Through Endcaps S - Through profile side
	B Black	O Opal	24 24VDC	11.52W/m	95 95+	22-2200K , 25-2500K , 27-2700K 30-3000K , 35-3500K , 40-4000K 50-5000K , 65-6500K			
	S Silver	C Clear	36 36VDC	14.40W/m	TW	Tunable White - check your executive sales			
			48 48VDC	21.60W/m 24.00W/m 28.80W/m	D2W	Dim To Warm - check your executive sales			

RECOMMENDED LIGHT SOURCE

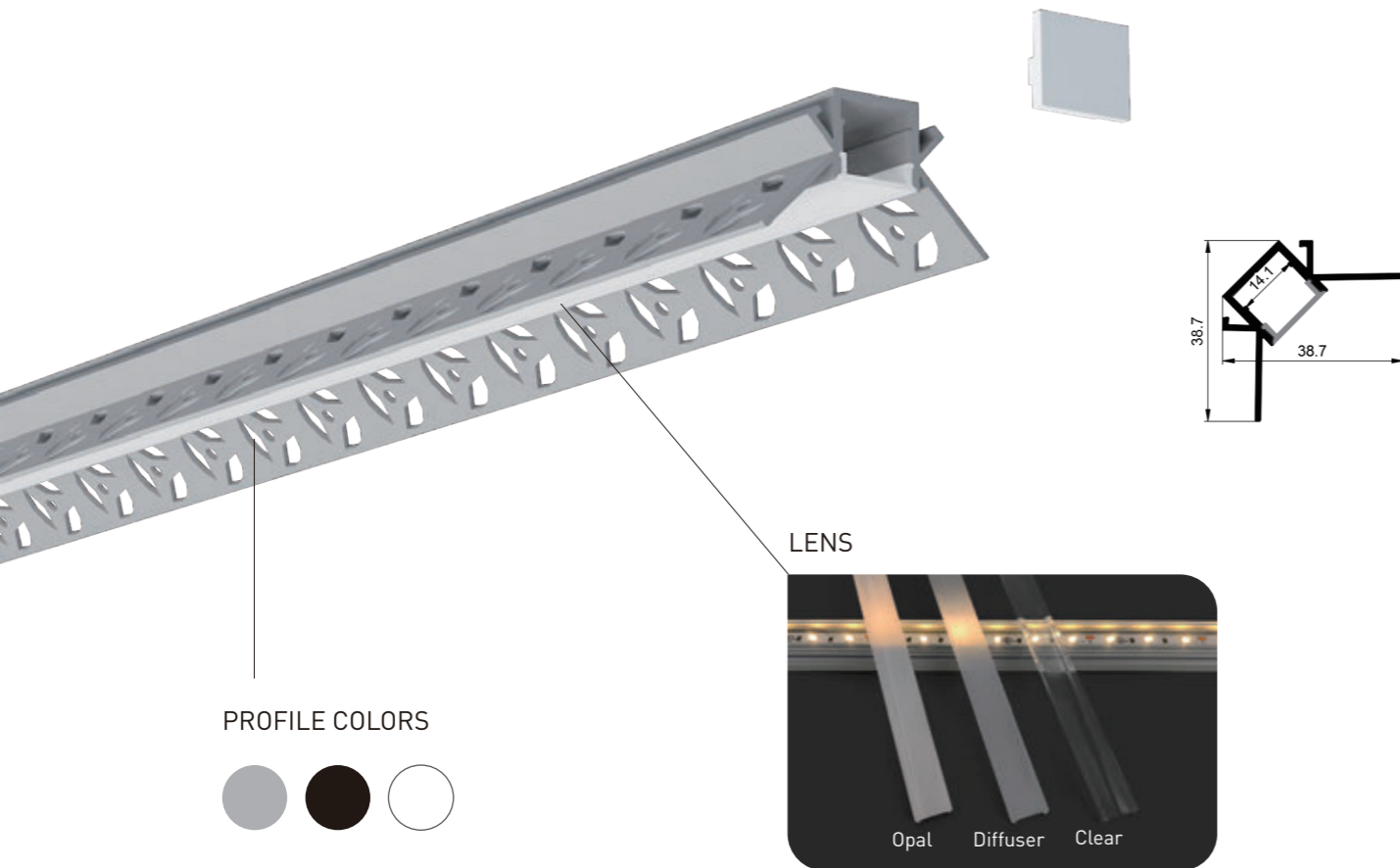
Performance	Part Code	Led Qty	Input Vol.	Power	CRI	Light Source Lumen	Diffuser Lens Lumen	Cuttable length	Max Run	Pcb Width
General	FN-2835T-120	120pcs/m	12/24VDC	14.40 W/m	90+	1512 lm/m	680lm/m	12V=25mm 24V=50mm	12V=5m 24V=9m	10 mm
					95+	1282 lm/m	577lm/m			
High Efficiency	FN-H2835T-128	128pcs/m	24VDC	11.52 W/m	90+	1613 lm/m	726lm/m	24V=62.5mm	24V=6m	10 mm
				95+	1475 lm/m	664lm/m				
	FN-H28350-160	160pcs/m	24VDC	24 W/m	90+	3480 lm/m	1739lm/m	50mm	3m	10 mm
	FN-H2835T-160	160pcs/m	24VDC	14.40 W/m	90+	1987 lm/m	894lm/m	24V=50mm	24V=5m	10 mm
			95+	1843 lm/m	829lm/m					
Long Run	FN-H28350-192	192pcs/m	24VDC	28.8 W/m	90+	4176 lm/m	2086lm/m	41.7mm	2.5m	10 mm
	LN-H2835T-80	80pcs/m	36VDC	5.18W/m	90+	580 lm/m	261lm/m	100mm	50m	10 mm
				95+	482 lm/m	217lm/m				
	LN-H2835T-112	112pcs/m	48VDC	11.52 W/m	90+	1336 lm/m	601lm/m	125mm	25m	10 mm
				95+	1106 lm/m	498lm/m				
	LN-H2835T-120	120pcs/m	24VDC	6.00 W/m	90+	588 lm/m	265lm/m	50mm	21m	10 mm
			95+	486 lm/m	219lm/m					
Short Cut	FN-F2835A-120	120pcs/m	12VDC	21.60 W/m	90+	1922 lm/m	865lm/m	16.7mm	3.5m	10 mm
					95+	1595 lm/m	718lm/m			

Remark: 1. The tested data based on silver finish in 4000K, CRI 90+ light source. 2. LN-H2835T-80 is good for long run, but it will show light spot.



TRIMLESS RECESSED SERIES

► SL3939B14



PROFILE COLORS



Opal Diffuser Clear



Installation: Trimless Recessed
 Length Available: 1-3m
 Profile Color: Silver, Black Anodized, White Powder Coating
 Lens: Opal, Diffuser, Clear
 Input Cable: Endcaps, Profile Bottom, Profile Sides
 Quick Female/Male Connectors Input cable & Junction Box available

TRIMLESS RECESSED SERIES

► SL3939B14

ORDERING CODE

Luminaire	Finish	Lens	Vol.	Power	CRI	CCT	Input Cable	Connector	Wiring
SL3939B14	W White	D Diffuser	12 12VDC	5.18W/m	90 90+	22-2200K , 24-2400K , 25-2500K 27-2700K , 30-3000K , 35-3500K 40-4000K , 50-5000K , 65-6500K	01 - Black&Red 22AWG	A - AMP male/female	B - Through profile back
	B Black	O Opal	24 24VDC	11.52W/m	95 95+	22-2200K , 25-2500K , 27-2700K 30-3000K , 35-3500K , 40-4000K 50-5000K , 65-6500K	02 - Black&White 22AWG	M - Molex male/female	E - Through Endcaps
	S Silver	C Clear	36 36VDC	14.40W/m	TW	Tunable White - check your executive sales	03 - White PU protected 2 pin	D - DC male/female	S - Through profile side
			48 48VDC	21.60W/m 24.00W/m 28.80W/m	D2W	Dim To Warm - check your executive sales	04 - 3Pin cable for Tunable white		

RECOMMENDED LIGHT SOURCE

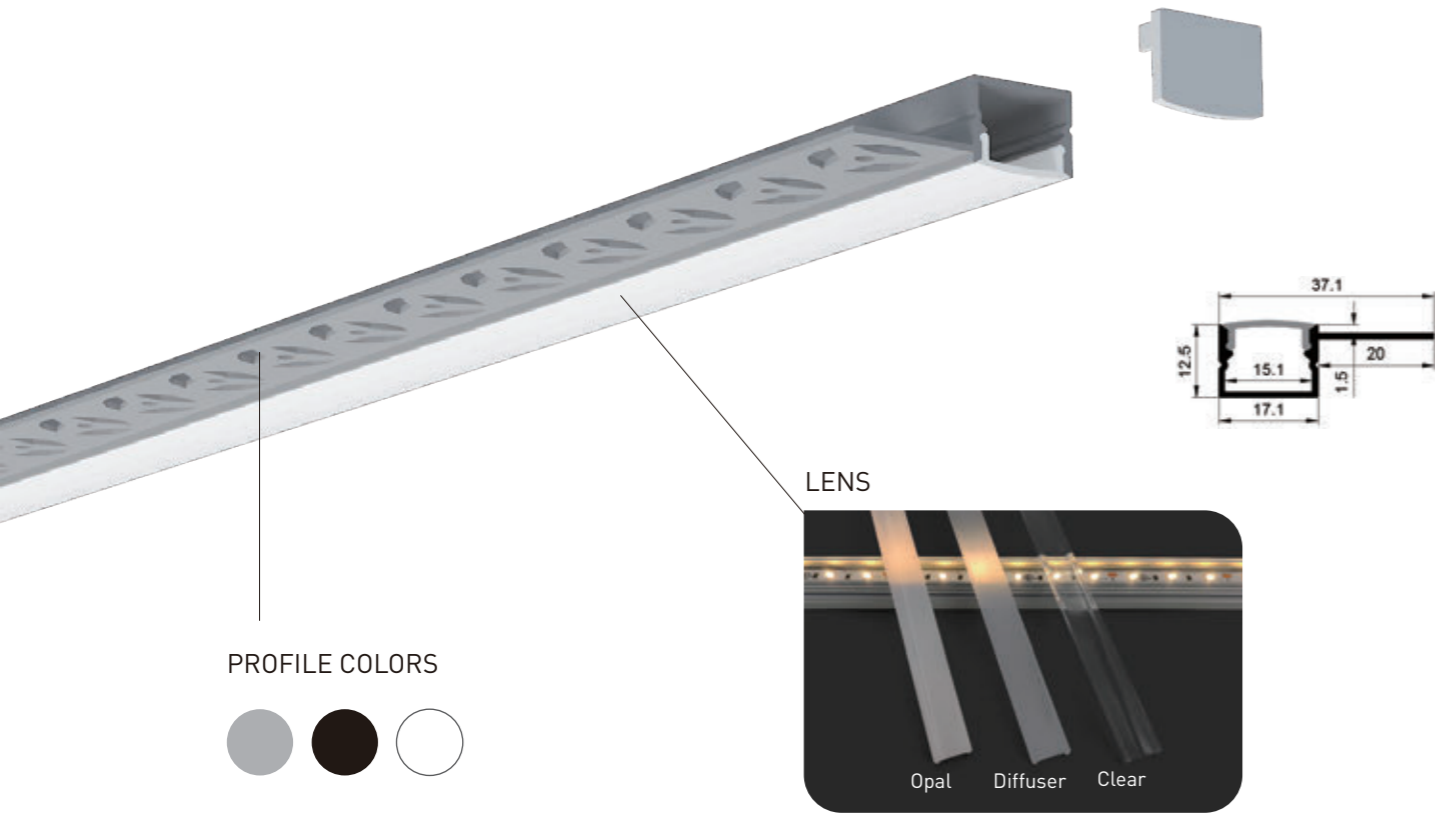
Performance	Part Code	Led Qty	Input Vol.	Power	CRI	Light Source Lumen	Diffuser Lens Lumen	Cuttable length	Max Run	Pcb Width
General	FN-2835T-120	120pcs/m	12/24VDC	14.40 W/m	90+	1512 lm/m	680lm/m	12V=25mm 24V=50mm	12V=5m 24V=9m	10 mm
					95+	1282 lm/m	577lm/m			
High Efficiency	FN-H2835T-128	128pcs/m	24VDC	11.52 W/m	90+	1613 lm/m	726lm/m	24V=62.5mm	24V=6m	10 mm
	FN-H2835T-160	160pcs/m	24VDC	24 W/m	90+	3480 lm/m	1739lm/m	50mm	3m	10 mm
	FN-H2835T-160	160pcs/m	24VDC	14.40 W/m	90+	1987 lm/m	894lm/m	24V=50mm	24V=5m	10 mm
	FN-H2835T-192	192pcs/m	24VDC	28.8 W/m	90+	4176 lm/m	2086lm/m	41.7mm	2.5m	10 mm
Long Run	LN-H2835T-80	80pcs/m	36VDC	5.18W/m	90+	580 lm/m	261lm/m	100mm	50m	10 mm
	LN-H2835T-112	112pcs/m	48VDC	11.52 W/m	90+	1336 lm/m	601lm/m	125mm	25m	10 mm
	LN-H2835T-120	120pcs/m	24VDC	6.00 W/m	90+	588 lm/m	265lm/m	50mm	21m	10 mm
Short Cut	FN-F2835A-120	120pcs/m	12VDC	21.60 W/m	90+	1922 lm/m	865lm/m	16.7mm	3.5m	10 mm
					95+	1595 lm/m	718lm/m			

Remark: 1. The tested data based on silver finish in 4000K, CRI 90+ light source. 2. LN-H2835T-80 is good for long run, but it will show light spot.



TRIMLESS RECESSED SERIES

► SL371215



Installation: Trimless Recessed
 Length Available: 1-3m
 Profile Color: Silver, Black Anodized, White Powder Coating
 Lens: Opal, Diffuser, Clear
 Input Cable: Endcaps, Profile Bottom, Profile Sides
 Quick Female/Male Connectors Input cable & Junction Box available

TRIMLESS RECESSED SERIES

► SL371215

ORDERING CODE

Luminaire	Finish	Lens	Vol.	Power	CRI	CCT	Input Cable	Connector	Wiring
SL371215	W White	D Diffuser	12 12VDC	5.18W/m	90 90+	22-2200K , 24-2400K , 25-2500K 27-2700K , 30-3000K , 35-3500K 40-4000K , 50-5000K , 65-6500K	01 - Black&Red 22AWG	A - AMP male/female	B - Through profile back
	B Black	O Opal	24 24VDC	11.52W/m	95 95+	22-2200K , 25-2500K , 27-2700K 30-3000K , 35-3500K , 40-4000K 50-5000K , 65-6500K	02 - Black&White 22AWG	M - Molex male/female	E - Through Endcaps
	S Silver	C Clear	36 36VDC	14.40W/m	TW	Tunable White - check your executive sales	03 - White PU protected 2 pin	D - DC male/female	S - Through profile side
			48 48VDC	21.60W/m 24.00W/m 28.80W/m	D2W	Dim To Warm - check your executive sales	04 - 3Pin cable for Tunable white		

RECOMMENDED LIGHT SOURCE

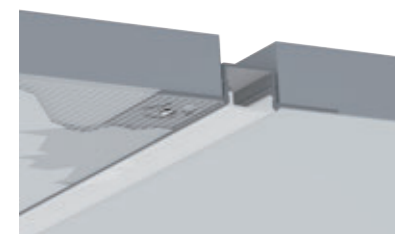
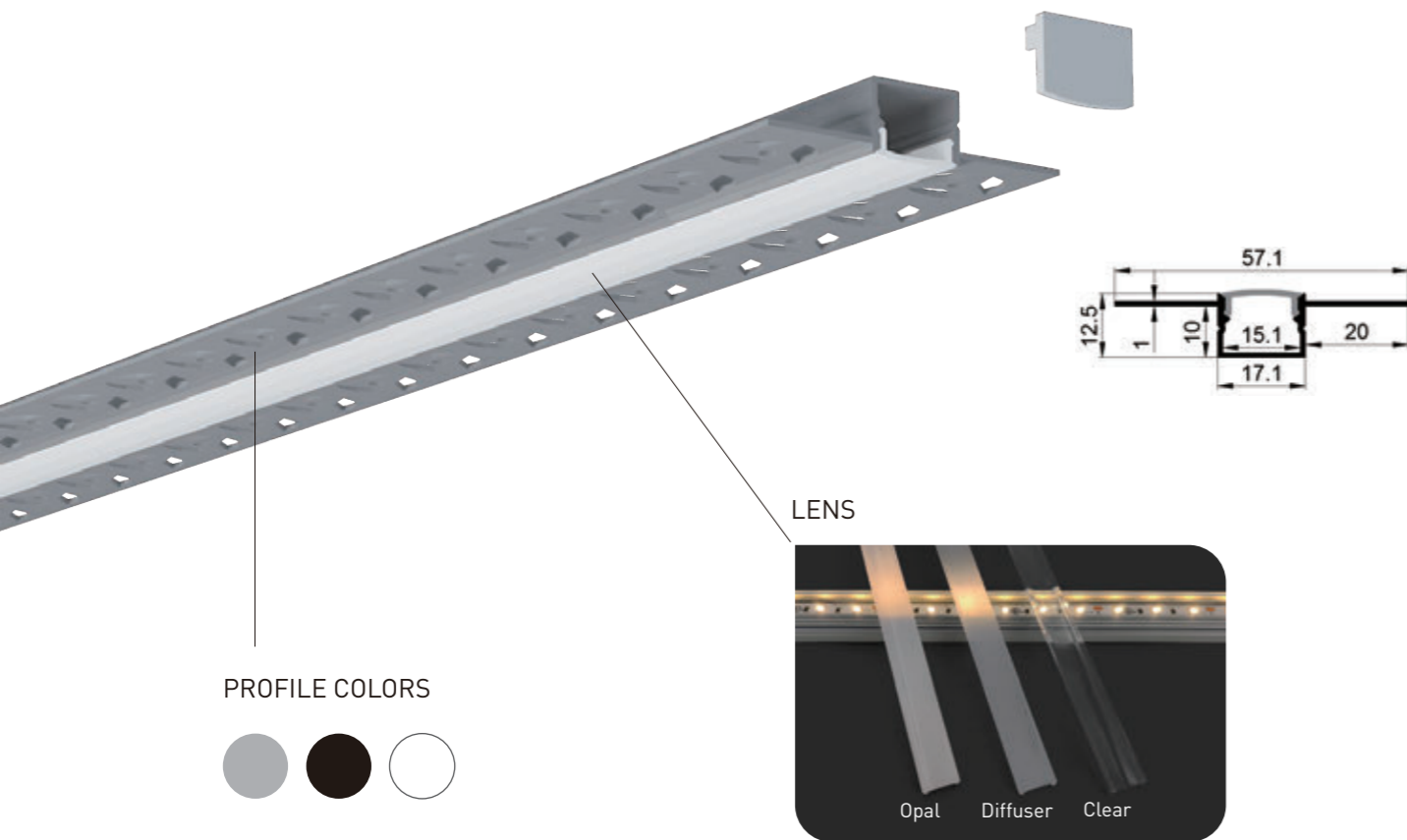
Performance	Part Code	Led Qty	Input Vol.	Power	CRI	Light Source Lumen	Diffuser Lens Lumen	Cuttable length	Max Run	Pcb Width
General	FN-2835T-120	120pcs/m	12/24VDC	14.40 W/m	90+	1512 lm/m	680lm/m	12V=25mm 24V=50mm	12V=5m 24V=9m	10 mm
					95+	1282 lm/m	577lm/m			
High Efficiency	FN-H2835T-128	128pcs/m	24VDC	11.52 W/m	90+	1613 lm/m	726lm/m	24V=62.5mm	24V=6m	10 mm
					95+	1475 lm/m	664lm/m			
	FN-H28350-160	160pcs/m	24VDC	24 W/m	90+	3480 lm/m	1739lm/m	50mm	3m	10 mm
					95+	1987 lm/m	894lm/m	24V=50mm	24V=5m	10 mm
FN-H2835T-160	160pcs/m	24VDC	14.40 W/m	90+	1843 lm/m	829lm/m				
				95+	1843 lm/m	829lm/m				
FN-H28350-192	192pcs/m	24VDC	28.8 W/m	90+	4176 lm/m	2086lm/m	41.7mm	2.5m	10 mm	
				95+	4176 lm/m	2086lm/m				
Long Run	LN-H2835T-80	80pcs/m	36VDC	5.18W/m	90+	580 lm/m	261lm/m	100mm	50m	10 mm
					95+	482 lm/m	217lm/m			
	LN-H2835T-112	112pcs/m	48VDC	11.52 W/m	90+	1336 lm/m	601lm/m	125mm	25m	10 mm
LN-H2835T-120	120pcs/m	24VDC	6.00 W/m	90+	588 lm/m	265lm/m	50mm	21m	10 mm	
				95+	486 lm/m	219lm/m				
Short Cut	FN-F2835A-120	120pcs/m	12VDC	21.60 W/m	90+	1922 lm/m	865lm/m	16.7mm	3.5m	10 mm
					95+	1595 lm/m	718lm/m			

Remark: 1. The tested data based on silver finish in 4000K, CRI 90+ light source. 2. LN-H2835T-80 is good for long run, but it will show light spot.



TRIMLESS RECESSED SERIES

► SL571215



Installation: Trimless Recessed
 Length Available: 1-3m
 Profile Color: Silver, Black Anodized, White Powder Coating
 Lens: Opal, Diffuser, Clear
 Input Cable: Endcaps, Profile Bottom, Profile Sides
 Quick Female/Male Connectors Input cable & Junction Box available

TRIMLESS RECESSED SERIES

► SL571215

ORDERING CODE

Luminaire	Finish	Lens	Vol.	Power	CRI	CRI	Input Cable	Connector	Wiring
SL571215	W White	D Diffuser	12 12VDC	5.18W/m	90	22-2200K , 24-2400K , 25-2500K 27-2700K , 30-3000K , 35-3500K 40-4000K , 50-5000K , 65-6500K	01 - Black&Red 22AWG	A - AMP male/female	B - Through profile back
	B Black	O Opal	24 24VDC	6.00W/m	95				
	S Silver	C Clear	36 36VDC	11.52W/m	95+	22-2200K , 25-2500K , 27-2700K 30-3000K , 35-3500K , 40-4000K 50-5000K , 65-6500K	02 - Black&White 22AWG	M - Molex male/female	E - Through Endcaps
			48 48VDC	14.40W/m	TW	Tunable White - check your executive sales	03 - White PU protected 2 pin		S - Through profile side
			21.60W/m	24.00W/m					
			28.80W/m		D2W	Dim To Warm - check your executive sales	04 - 3Pin cable for Tunable white		

RECOMMENDED LIGHT SOURCE

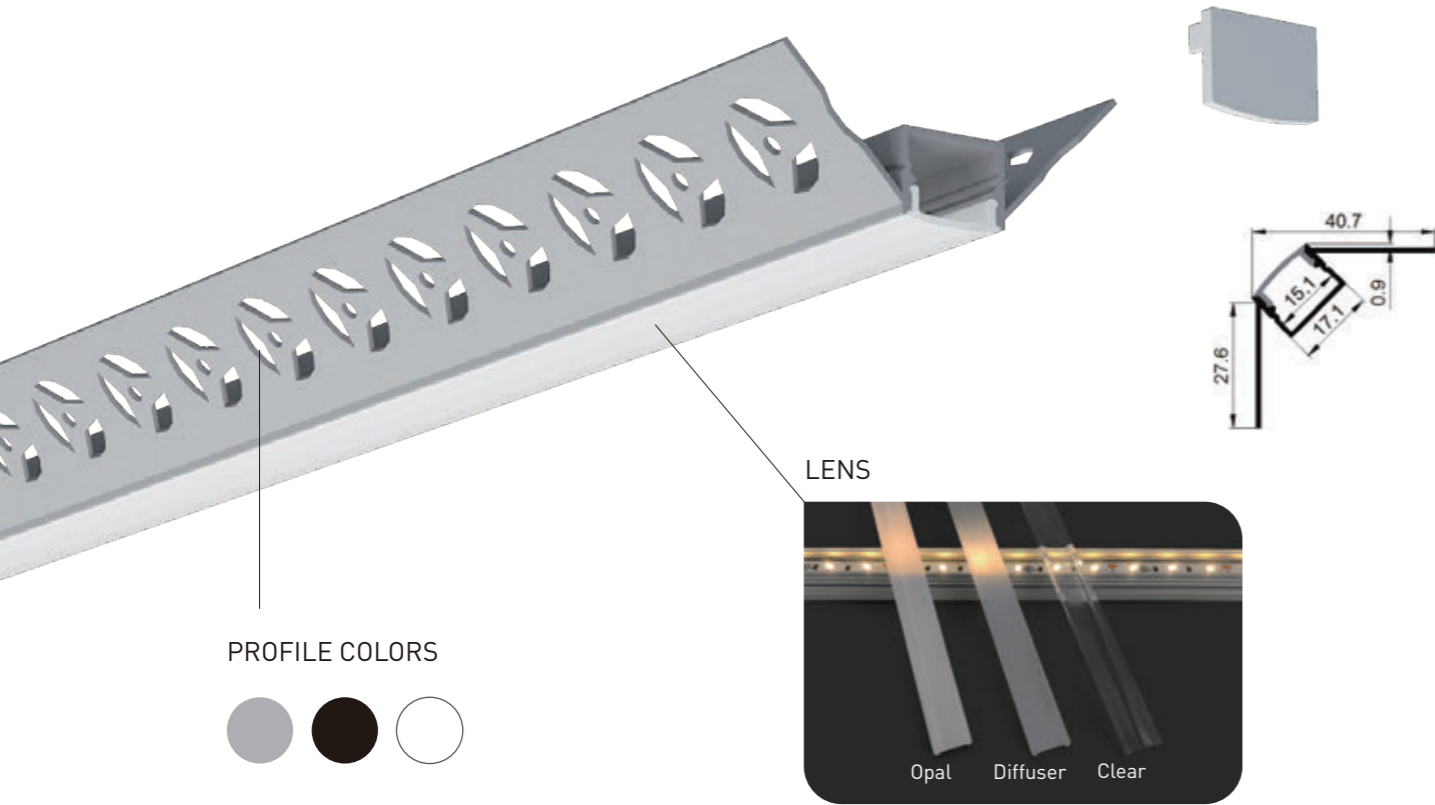
Performance	Part Code	Led Qty	Input Vol.	Power	CRI	Light Source Lumen	Diffuser Lens Lumen	Cuttable length	Max Run	Pcb Width
General	FN-2835T-120	120pcs/m	12/24VDC	14.40 W/m	90+	1512 lm/m	680lm/m	12V=25mm 24V=50mm	12V=5m 24V=9m	10 mm
					95+	1282 lm/m	577lm/m			
High Efficiency	FN-H2835T-128	128pcs/m	24VDC	11.52 W/m	90+	1613 lm/m	726lm/m	24V=62.5mm	24V=6m	10 mm
				95+	1475 lm/m	664lm/m				
	FN-H28350-160	160pcs/m	24VDC	24 W/m	90+	3480 lm/m	1739lm/m	50mm	3m	10 mm
	FN-H2835T-160	160pcs/m	24VDC	14.40 W/m	90+	1987 lm/m	894lm/m	24V=50mm	24V=5m	10 mm
			95+	1843 lm/m	829lm/m					
	FN-H28350-192	192pcs/m	24VDC	28.8 W/m	90+	4176 lm/m	2086lm/m	41.7mm	2.5m	10 mm
Long Run	LN-H2835T-80	80pcs/m	36VDC	5.18W/m	90+	580 lm/m	261lm/m	100mm	50m	10 mm
				95+	482 lm/m	217lm/m				
	LN-H2835T-112	112pcs/m	48VDC	11.52 W/m	90+	1336 lm/m	601lm/m	125mm	25m	10 mm
			95+	1106 lm/m	498lm/m					
	LN-H2835T-120	120pcs/m	24VDC	6.00 W/m	90+	588 lm/m	265lm/m	50mm	21m	10 mm
				95+	486 lm/m	219lm/m				
Short Cut	FN-F2835A-120	120pcs/m	12VDC	21.60 W/m	90+	1922 lm/m	865lm/m	16.7mm	3.5m	10 mm
					95+	1595 lm/m	718lm/m			

Remark: 1. The tested data based on silver finish in 4000K, CRI 90+ light source. 2. LN-H2835T-80 is good for long run, but it will show light spot.



TRIMLESS RECESSED SERIES

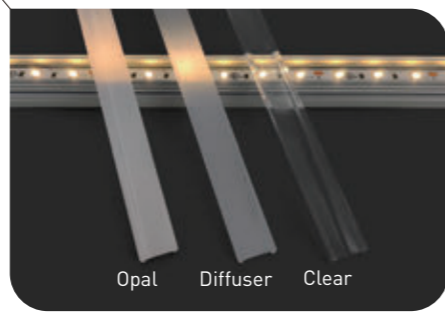
► SL414115



PROFILE COLORS



LENS



Installation: Trimless Recessed

Length Available: 1-3m

Profile Color: Silver, Black Anodized, White Powder Coating

Lens: Opal, Diffuser, Clear

Input Cable: Endcaps, Profile Bottom, Profile Sides

Quick Female/Male Connectors Input cable & Junction Box available

TRIMLESS RECESSED SERIES

► SL414115

ORDERING CODE

Luminaire	Finish	Lens	Vol.	Power	CRI	CCT	Input Cable	Connector	Wiring
SL414115	W White	D Diffuser	12 12VDC	5.18W/m	90 90+	22-2200K , 24-2400K , 25-2500K 27-2700K , 30-3000K , 35-3500K 40-4000K , 50-5000K , 65-6500K	01 - Black&Red 22AWG 02 - Black&White 22AWG 03 - White PU protected 2 pin 04 - 3Pin cable for Tunable white	A - AMP male/female M - Molex male/female D - DC male/female	B - Through profile back E - Through Endcaps S - Through profile side
	B Black	O Opal	24 24VDC	11.52W/m	95 95+	22-2200K , 25-2500K , 27-2700K 30-3000K , 35-3500K , 40-4000K 50-5000K , 65-6500K			
	S Silver	C Clear	36 36VDC	14.40W/m	TW	Tunable White - check your executive sales			
			48 48VDC	21.60W/m 24.00W/m 28.80W/m	D2W	Dim To Warm - check your executive sales			

RECOMMENDED LIGHT SOURCE

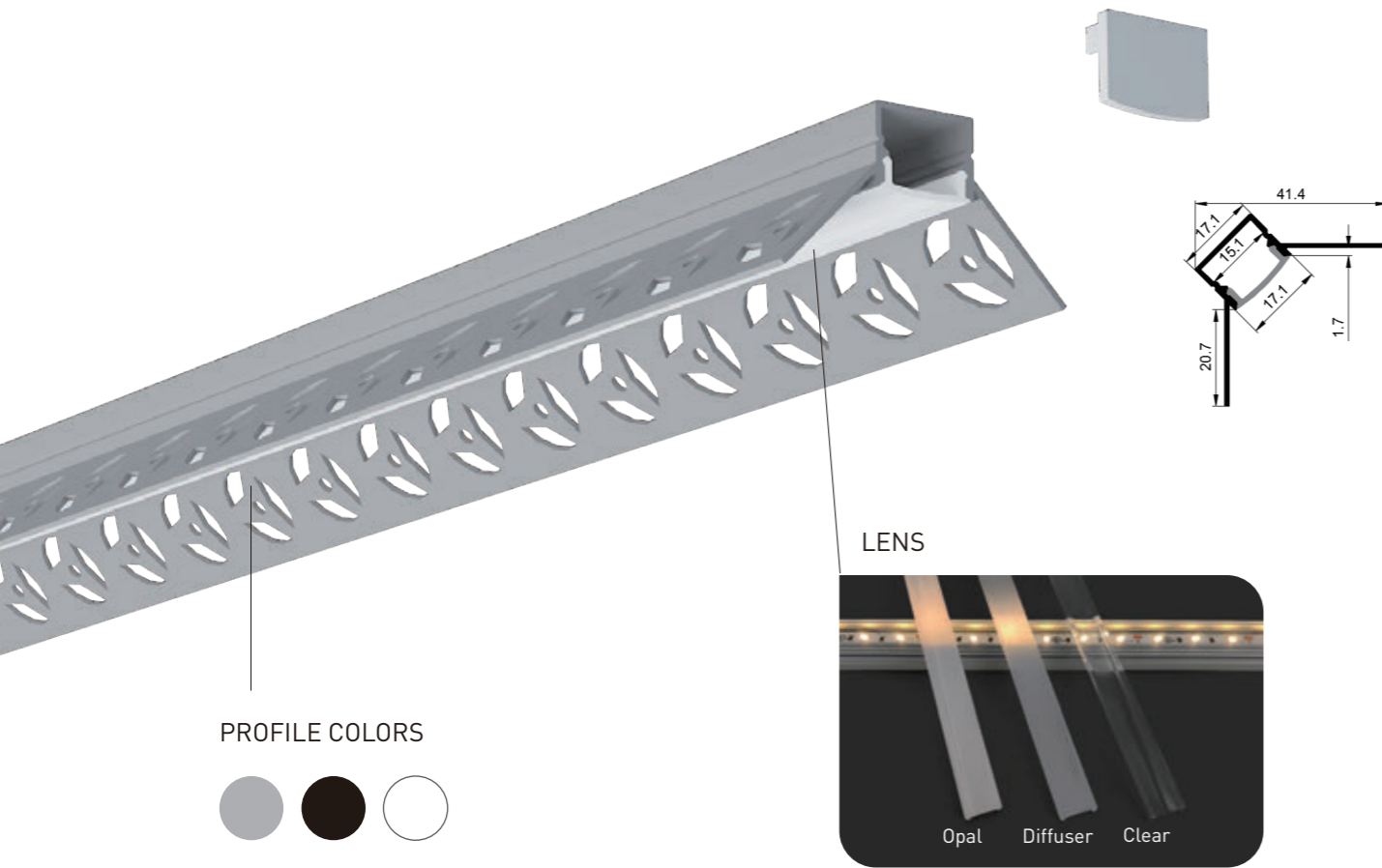
Performance	Part Code	Led Qty	Input Vol.	Power	CRI	Light Source Lumen	Diffuser Lens Lumen	Cuttable length	Max Run	Pcb Width
General	FN-2835T-120	120pcs/m	12/24VDC	14.40 W/m	90+	1512 lm/m	680lm/m	12V=25mm 24V=50mm	12V=5m 24V=9m	10 mm
					95+	1282 lm/m	577lm/m			
High Efficiency	FN-H2835T-128	128pcs/m	24VDC	11.52 W/m	90+	1613 lm/m	726lm/m	24V=62.5mm	24V=6m	10 mm
					95+	1475 lm/m	664lm/m			
	FN-H28350-160	160pcs/m	24VDC	24 W/m	90+	3480 lm/m	1739lm/m	50mm	3m	10 mm
					95+	1987 lm/m	894lm/m			
FN-H2835T-160	160pcs/m	24VDC	14.40 W/m	90+	1843 lm/m	829lm/m	24V=50mm	24V=5m	10 mm	
				95+	1843 lm/m	829lm/m				
FN-H28350-192	192pcs/m	24VDC	28.8 W/m	90+	4176 lm/m	2086lm/m	41.7mm	2.5m	10 mm	
				95+	4176 lm/m	2086lm/m				
Long Run	LN-H2835T-80	80pcs/m	36VDC	5.18W/m	90+	580 lm/m	261lm/m	100mm	50m	10 mm
					95+	482 lm/m	217lm/m			
	LN-H2835T-112	112pcs/m	48VDC	11.52 W/m	90+	1336 lm/m	601lm/m	125mm	25m	10 mm
95+					1106 lm/m	498lm/m				
LN-H2835T-120	120pcs/m	24VDC	6.00 W/m	90+	588 lm/m	265lm/m	50mm	21m	10 mm	
				95+	486 lm/m	219lm/m				
Short Cut	FN-F2835A-120	120pcs/m	12VDC	21.60 W/m	90+	1922 lm/m	865lm/m	16.7mm	3.5m	10 mm
					95+	1595 lm/m	718lm/m			

Remark: 1. The tested data based on silver finish in 4000K, CRI 90+ light source. 2. LN-H2835T-80 is good for long run, but it will show light spot.



TRIMLESS RECESSED SERIES

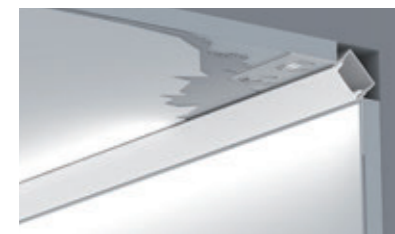
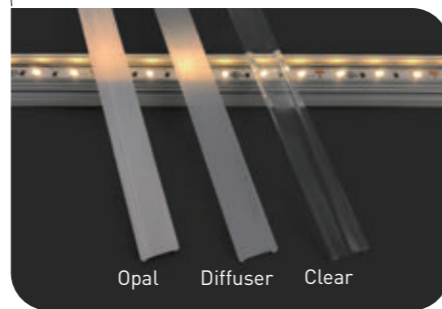
► SL4141B15



PROFILE COLORS



LENS



Installation: Trimless Recessed
 Length Available: 1-3m
 Profile Color: Silver, Black Anodized, White Powder Coating
 Lens: Opal, Diffuser, Clear
 Input Cable: Endcaps, Profile Bottom, Profile Sides
 Quick Female/Male Connectors Input cable & Junction Box available

TRIMLESS RECESSED SERIES

► SL4141B15

ORDERING CODE

Luminaire	Finish	Lens	Vol.	Power	CRI	CCT	Input Cable	Connector	Wiring
SL4141B15	W White	D Diffuser	12 12VDC	14.40W/m	90 90+	22-2200K , 24-2400K , 25-2500K 27-2700K , 30-3000K , 35-3500K 40-4000K , 50-5000K , 65-6500K	01 - Black&Red 22AWG	A - AMP male/female	B - Through profile back
	B Black	O Opal	24 24VDC	24.00W/m	95 95+	22-2200K , 25-2500K , 27-2700K 30-3000K , 35-3500K , 40-4000K 50-5000K , 65-6500K	02 - Black&White 22AWG	M - Molex male/female	E - Through Endcaps
	S Silver	C Clear	36 36VDC	28.80W/m	TW	Tunable White - check your executive sales	03 - White PU protected 2 pin	D - DC male/female	S - Through profile side
			48 48VDC	5.18W/m			04 - 3Pin cable for Tunable white		
				6.00W/m					
				21.60W/m					
					D2W	Dim To Warm - check your executive sales			

RECOMMENDED LIGHT SOURCE

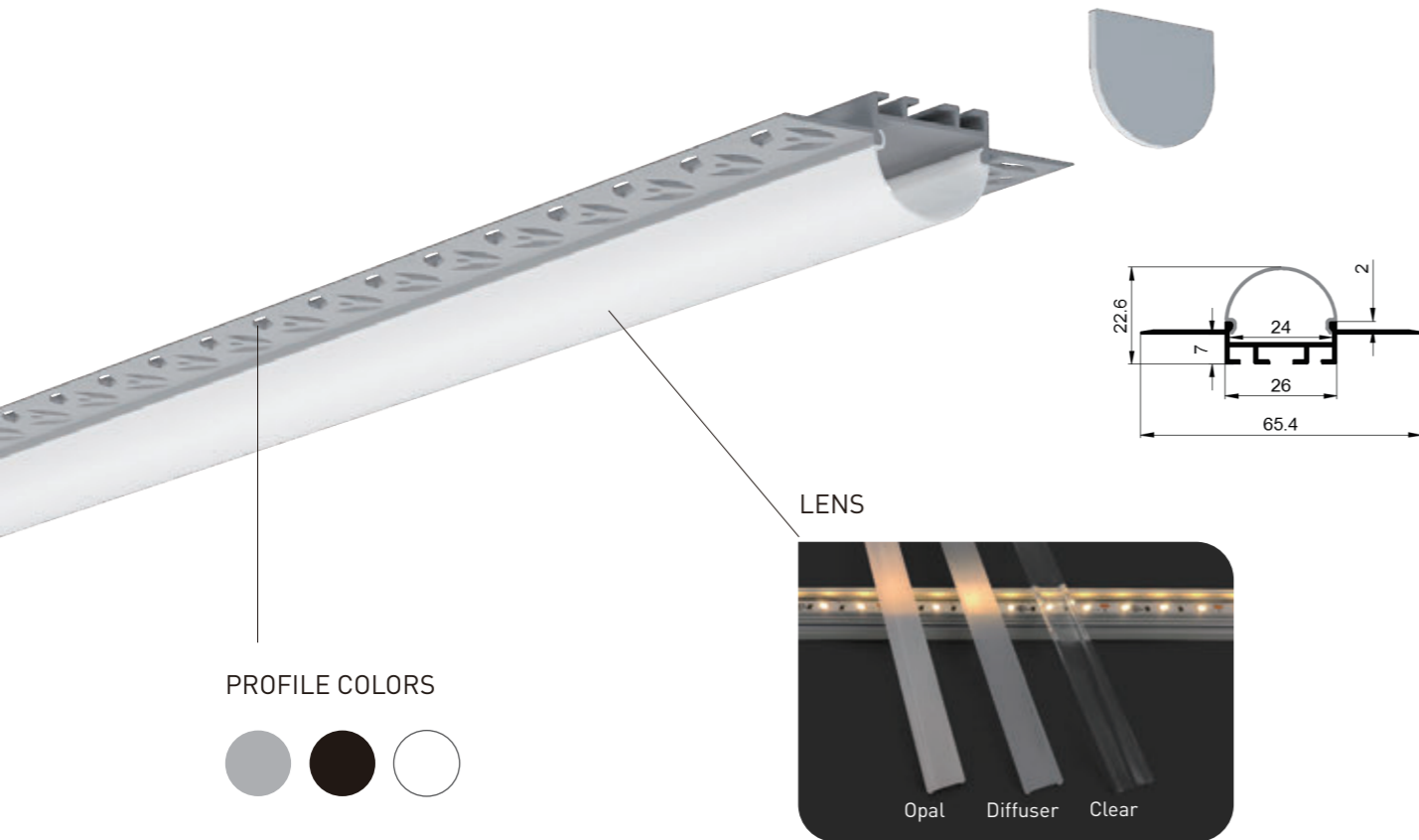
Performance	Part Code	Led Qty	Input Vol.	Power	CRI	Light Source Lumen	Diffuser Lens Lumen	Cuttable length	Max Run	Pcb Width
General	FN-2835T-120	120pcs/m	12/24VDC	14.40 W/m	90+	1512 lm/m	680lm/m	24V=50mm	24V=9m	10 mm
					95+	1282 lm/m	577lm/m			
High Efficiency	FN-H2835T-128	128pcs/m	24VDC	11.52 W/m	90+	1613 lm/m	726lm/m	12V=31.2mm 24V=62.5mm	12V=3m 24V=6m	10 mm
					95+	1475 lm/m	664lm/m			
	FN-H28350-160	160pcs/m	24VDC	24 W/m	90+	3480 lm/m	1739lm/m	50mm	3m	10 mm
					95+	1987 lm/m	894lm/m			
Long Run	LN-H2835T-80	80pcs/m	36VDC	5.18W/m	90+	580 lm/m	261lm/m	100mm	50m	10 mm
					95+	482 lm/m	217lm/m			
	LN-H2835T-112	112pcs/m	48VDC	11.52 W/m	90+	1336 lm/m	601lm/m	125mm	25m	10 mm
					95+	1106 lm/m	498lm/m			
LN-H2835T-120	120pcs/m	24VDC	6.00 W/m	90+	588 lm/m	265lm/m	50mm	21m	10 mm	
				95+	486 lm/m	219lm/m				
Short Cut	FN-F2835A-120	120pcs/m	12VDC	21.60 W/m	90+	1922 lm/m	865lm/m	16.7mm	3.5m	10 mm
					95+	1595 lm/m	718lm/m			

Remark: 1. The tested data based on silver finish in 4000K, CRI 90+ light source. 2. LN-H2835T-80 is good for long run, but it will show light spot.



TRIMLESS RECESSED SERIES

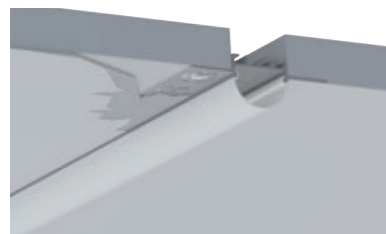
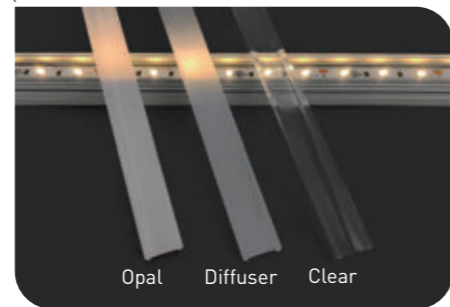
► SL651023



PROFILE COLORS



LENS



Installation: Trimless Recessed
 Length Available: 1-3m
 Profile Color: Silver, Black Anodized, White Powder Coating
 Lens: Opal, Diffuser, Clear
 Input Cable: Endcaps, Profile Bottom, Profile Sides
 Quick Female/Male Connectors Input cable & Junction Box available

TRIMLESS RECESSED SERIES

► SL651023

ORDERING CODE

Luminaire	Finish	Lens	Vol.	Power	CRI	CCT	Input Cable	Connector	Wiring
SL651023	W White	D Diffuser	12 12VDC	5.18W/m	90 90+	22-2200K, 24-2400K, 25-2500K 27-2700K, 30-3000K, 35-3500K 40-4000K, 50-5000K, 65-6500K	01 - Black&Red 22AWG 02 - Black&White 22AWG 03 - White PU protected 2 pin 04 - 3Pin cable for Tunable white	A - AMP male/female M - Molex male/female D - DC male/female	B - Through profile back E - Through Endcaps S - Through profile side
	B Black	O Opal	24 24VDC	11.52W/m					
	S Silver	C Clear	36 36VDC	14.40W/m					
			48 48VDC	21.60W/m 24.00W/m 28.80W/m					
					TW	Tunable White - check your executive sales			
					D2W	Dim To Warm - check your executive sales			

RECOMMENDED LIGHT SOURCE

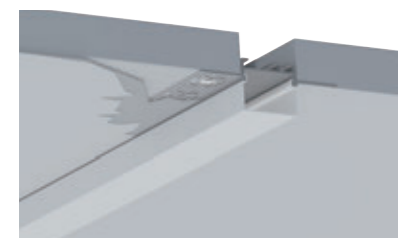
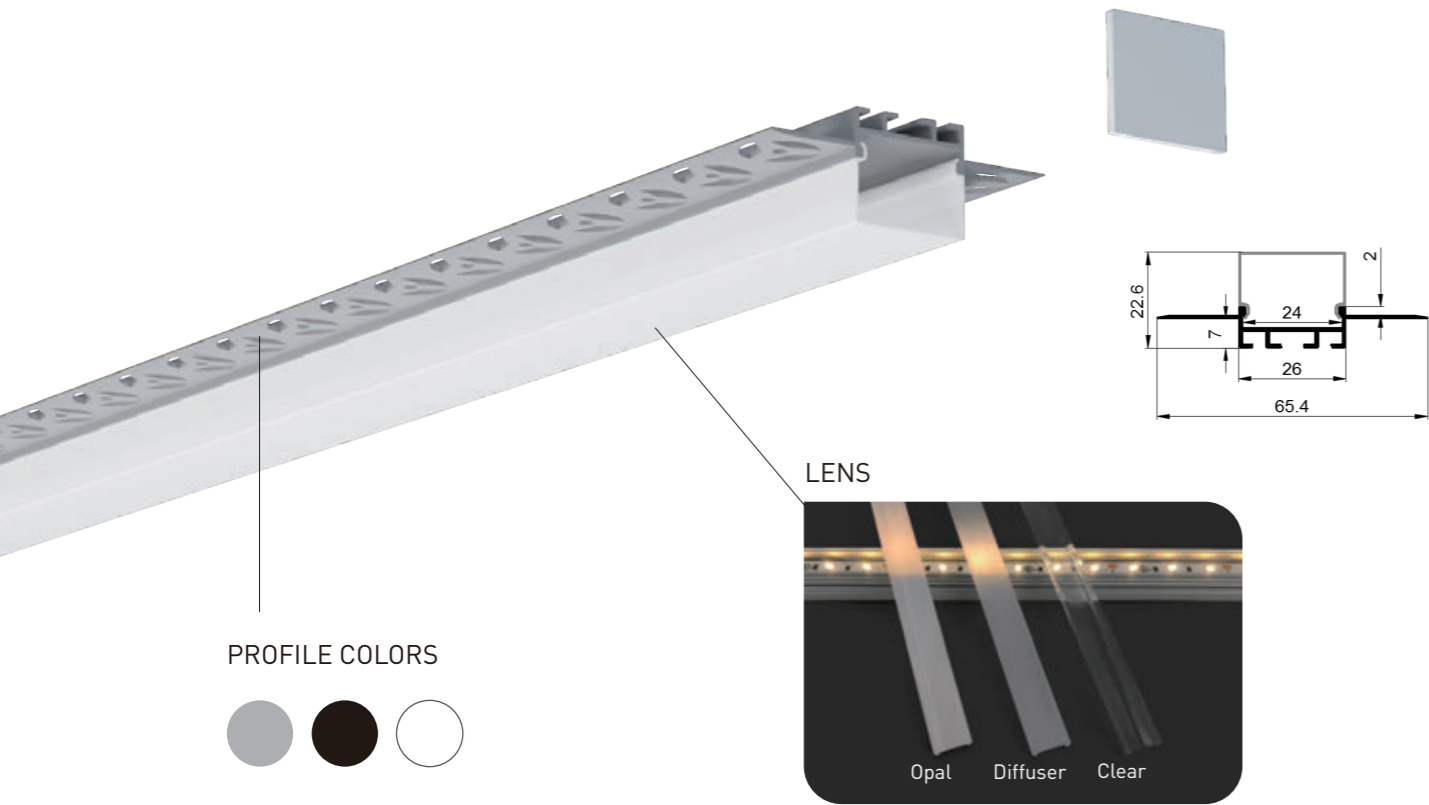
Performance	Part Code	Led Qty	Input Vol.	Power	CRI	Light Source Lumen	Diffuser Lens Lumen	Cuttable length	Max Run	Pcb Width
General	FN-2835T-120	120pcs/m	12/24VDC	14.40 W/m	90+	1512 lm/m	1074 lm/m	12V=25mm 24V=50mm	12V=5m 24V=9m	10 mm
					95+	1282 lm/m	910 lm/m			
High Efficiency	FN-H2835T-128	128pcs/m	24VDC	11.52 W/m	90+	1613 lm/m	1145 lm/m	24V=62.5mm	24V=6m	10 mm
					95+	1475 lm/m	1047 lm/m			
	FN-H28350-160	160pcs/m	24VDC	24 W/m	90+	3480 lm/m	2743 lm/m	50mm	3m	10 mm
					95+	1987 lm/m	1411 lm/m			
Long Run	LN-H2835T-112	112pcs/m	48VDC	11.52 W/m	90+	1336 lm/m	949 lm/m	125mm	25m	10 mm
					95+	1106 lm/m	785 lm/m			
Short Cut	FN-F2835A-120	120pcs/m	12VDC	21.60 W/m	90+	588 lm/m	417 lm/m	50mm	21m	10 mm
					95+	486 lm/m	345 lm/m			
Short Cut	FN-F2835A-120	120pcs/m	12VDC	21.60 W/m	90+	1922 lm/m	1365 lm/m	16.7mm	3.5m	10 mm
					95+	1595 lm/m	1133 lm/m			

Remark: 1. The tested data based on silver finish in 4000K, CRI 90+ light source. 2. LN-H2835T-80 is good for long run, but it will show light spot.



TRIMLESS RECESSED SERIES

► SL652223



Installation: Trimless Recessed
 Length Available: 1-3m
 Profile Color: Silver, Black Anodized, White Powder Coating
 Lens: Opal, Diffuser, Clear
 Input Cable: Endcaps, Profile Bottom, Profile Sides
 Quick Female/Male Connectors Input cable & Junction Box available

TRIMLESS RECESSED SERIES

► SL652223

ORDERING CODE

Luminaire	Finish	Lens	Vol.	Power	CRI	CCT	Input Cable	Connector	Wiring
SL652223	W White	D Diffuser	12 12VDC	5.18W/m	90 90+	22-2200K, 24-2400K, 25-2500K 27-2700K, 30-3000K, 35-3500K 40-4000K, 50-5000K, 65-6500K	01 - Black&Red 22AWG 02 - Black&White 22AWG 03 - White PU protected 2 pin 04 - 3Pin cable for Tunable white	A - AMP male/female M - Molex male/female D - DC male/female	B - Through profile back E - Through Endcaps S - Through profile side
	B Black	O Opal	24 24VDC	11.52W/m					
	S Silver	C Clear	36 36VDC	14.40W/m					
			48 48VDC	21.60W/m 24.00W/m 28.80W/m					
					TW	Tunable White - check your executive sales			
					D2W	Dim To Warm - check your executive sales			

RECOMMENDED LIGHT SOURCE

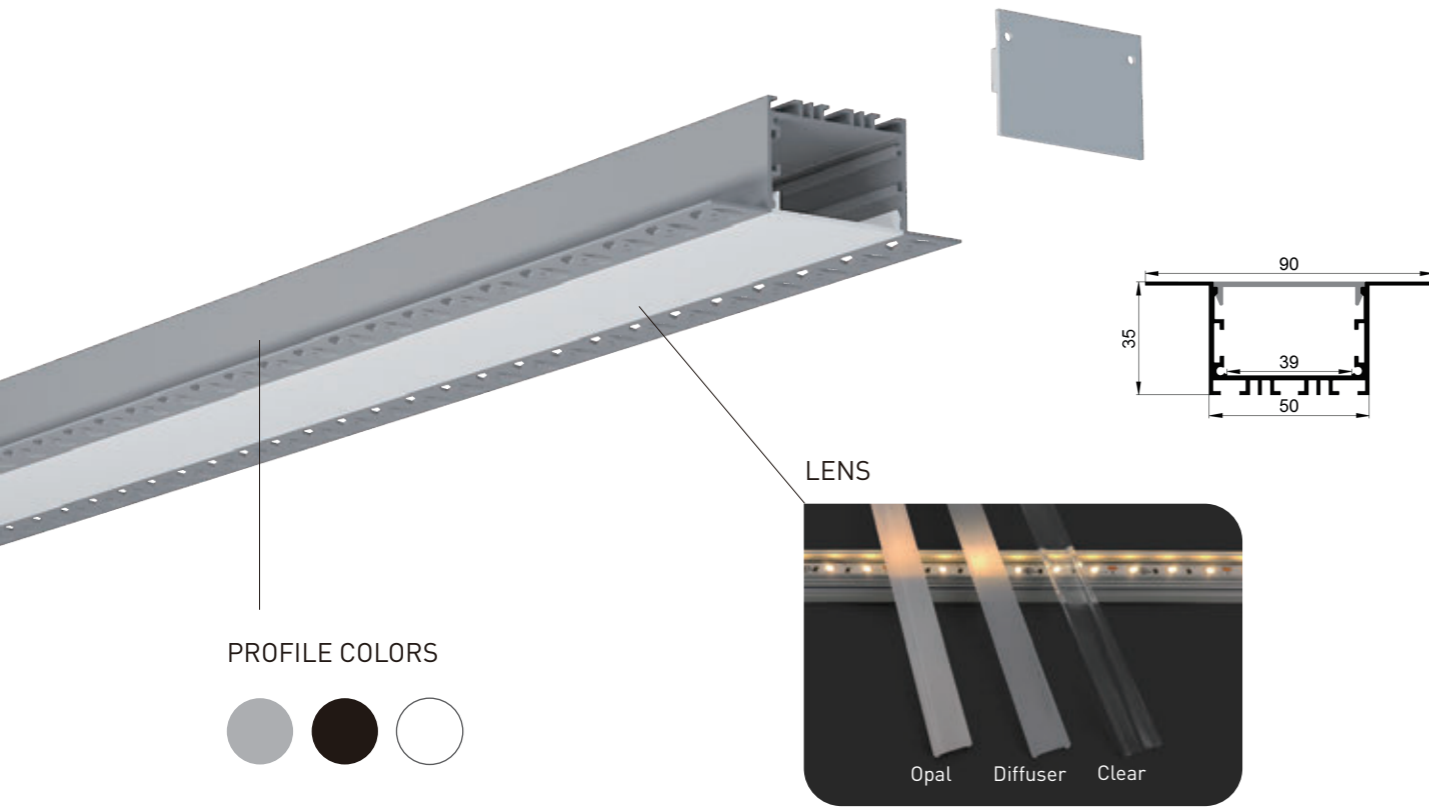
Performance	Part Code	Led Qty	Input Vol.	Power	CRI	Light Source Lumen	Diffuser Lens Lumen	Cuttable length	Max Run	Pcb Width
General	FN-2835T-120	120pcs/m	12/24VDC	14.40 W/m	90+	1512 lm/m	1074 lm/m	12V=25mm 24V=50mm	12V=5m 24V=9m	10 mm
					95+	1282 lm/m	910 lm/m			
High Efficiency	FN-H2835T-128	128pcs/m	24VDC	11.52 W/m	90+	1613 lm/m	1145 lm/m	24V=62.5mm	24V=6m	10 mm
					95+	1475 lm/m	1047 lm/m			
	FN-H28350-160	160pcs/m	24VDC	24 W/m	90+	3480 lm/m	2743 lm/m	50mm	3m	10 mm
					95+	1987 lm/m	1411 lm/m			
FN-H2835T-160	160pcs/m	24VDC	14.40 W/m	90+	1843 lm/m	1309 lm/m	24V=50mm	24V=5m	10 mm	
				95+	1843 lm/m	1309 lm/m				
FN-H28350-192	192pcs/m	24VDC	28.8 W/m	90+	4176 lm/m	3292 lm/m	41.7mm	2.5m	10 mm	
				95+	4176 lm/m	3292 lm/m				
Long Run	LN-H2835T-112	112pcs/m	48VDC	11.52 W/m	90+	1336 lm/m	949 lm/m	125mm	25m	10 mm
					95+	1106 lm/m	785 lm/m			
	LN-H2835T-120	120pcs/m	24VDC	6.00 W/m	90+	588 lm/m	417 lm/m	50mm	21m	10 mm
					95+	486 lm/m	345 lm/m			
Short Cut	FN-F2835A-120	120pcs/m	12VDC	21.60 W/m	90+	1922 lm/m	1365 lm/m	16.7mm	3.5m	10 mm
					95+	1595 lm/m	1133 lm/m			

Remark: 1. The tested data based on silver finish in 4000K, CRI 90+ light source. 2. LN-H2835T-80 is good for long run, but it will show light spot.



TRIMLESS RECESSED SERIES

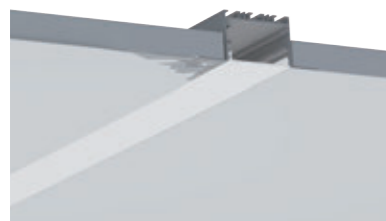
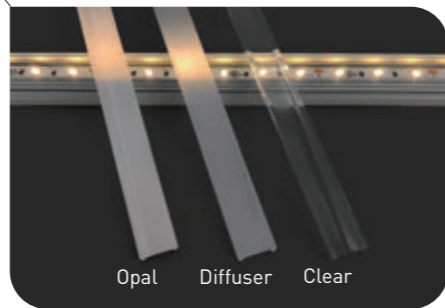
► SL903539



PROFILE COLORS



LENS



Installation: Trimless Recessed
 Length Available: 1-3m
 Profile Color: Silver, Black Anodized, White Powder Coating
 Lens: Opal, Diffuser, Clear
 Input Cable: Endcaps, Profile Bottom, Profile Sides
 Quick Female/Male Connectors Input cable & Junction Box available

TRIMLESS RECESSED SERIES

► SL903539

ORDERING CODE

Luminaire	Finish	Lens	Vol.	Power	CRI	CCT	Input Cable	Connector	Wiring
SL903539	W White	D Diffuser	12 12VDC	21.60W/m	90 90+	22-2200K , 24-2400K , 25-2500K 27-2700K , 30-3000K , 35-3500K 40-4000K , 50-5000K , 65-6500K	01 - Black&Red 22AWG	A - AMP male/female	B - Through profile back
	B Black	O Opal	24 24VDC	28.80W/m	95 95+	22-2200K , 25-2500K , 27-2700K 30-3000K , 35-3500K , 40-4000K 50-5000K , 65-6500K	02 - Black&White 22AWG	M - Molex male/female	E - Through Endcaps
	S Silver	C Clear		43.2W/m			03 - White PU protected 2 pin	D - DC male/female	S - Through profile side
							04 - 3Pin cable for Tunable white		
					TW	Tunable White - check your executive sales			
					D2W	Dim To Warm - check your executive sales			

RECOMMENDED LIGHT SOURCE

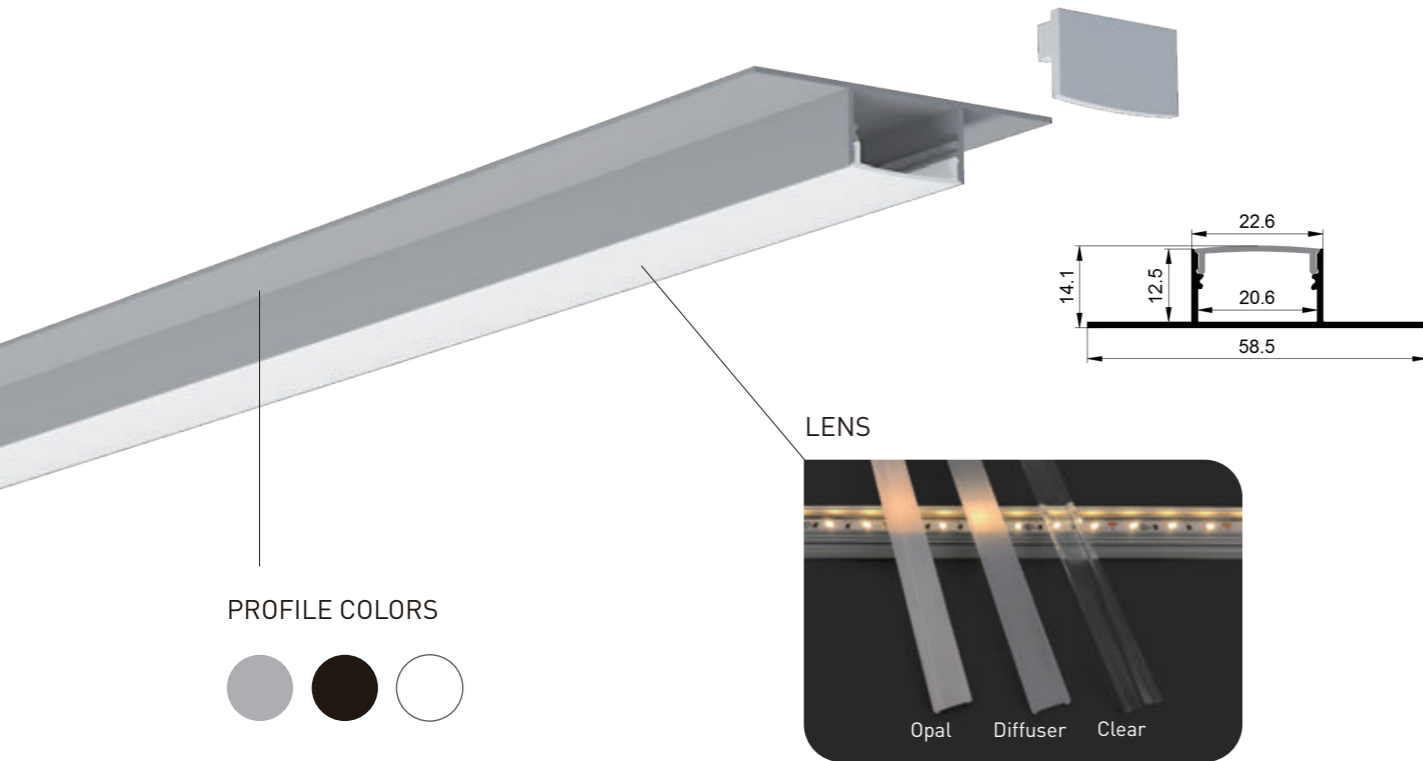
Performance	Part Code	Led Qty	Input Vol.	Power	CRI	Light Source Lumen	Diffuser Lens Lumen	Cutttable length	Max Run	Pcb Width
General	FN-2835T-240	240pcs/m	12/24VDC	28.8 W/m	90+	3024 lm/m	1754 lm/m	12V=25mm 24V=55.56mm	12V=4m 24V=6.5m	14 mm
					95+	2563 lm/m	1487 lm/m			
High Efficiency	FN-H2835 -240	240pcs/m	24VDC	21.6 W/m	90+	2981 lm/m	1729 lm/m	33.3mm	7m	14 mm
				95+	2765 lm/m	1604 lm/m				
	FN-H28350-240	240pcs/m	24VDC	36 W/m	90+	5796 lm/m	3362 lm/m	33.3mm	2.5m	12 mm
	FN-H28350-288	288pcs/m	24VDC	43.2 W/m	90+	6955 lm/m	4034 lm/m	27.8mm	2m	12 mm

Remark: The tested data based on silver finish in 4000K, CRI 90+ light source.

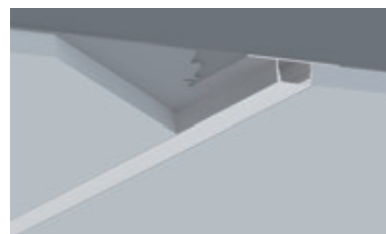


TRIMLESS RECESSED SERIES

► SL583120



PROFILE COLORS



Installation: Trimless Recessed
 Length Available: 1-3m
 Profile Color: Silver, Black Anodized, White Powder Coating
 Lens: Opal, Diffuser, Clear
 Input Cable: Endcaps, Profile Bottom, Profile Sides
 Quick Female/Male Connectors Input cable & Junction Box available

TRIMLESS RECESSED SERIES

► SL583120

ORDERING CODE

Luminaire	Finish	Lens	Vol.	Power	CRI	CCT	Input Cable	Connector	Wiring
SL583120	W White	D Diffuser	12 12VDC	5.18W/m	90 90+	22-2200K , 24-2400K , 25-2500K 27-2700K , 30-3000K , 35-3500K 40-4000K , 50-5000K , 65-6500K	01 - Black&Red 22AWG 02 - Black&White 22AWG 03 - White PU protected 2 pin 04 - 3Pin cable for Tunable white	A - AMP male/female M - Molex male/female D - DC male/female	B - Through profile back E - Through Endcaps S - Through profile side
	B Black	O Opal	24 24VDC	11.52W/m	95 95+	22-2200K , 25-2500K , 27-2700K 30-3000K , 35-3500K , 40-4000K 50-5000K , 65-6500K			
	S Silver	C Clear	36 36VDC	14.40W/m	TW	Tunable White - check your executive sales			
			48 48VDC	21.60W/m 24.00W/m 28.80W/m					
					D2W	Dim To Warm - check your executive sales			

RECOMMENDED LIGHT SOURCE

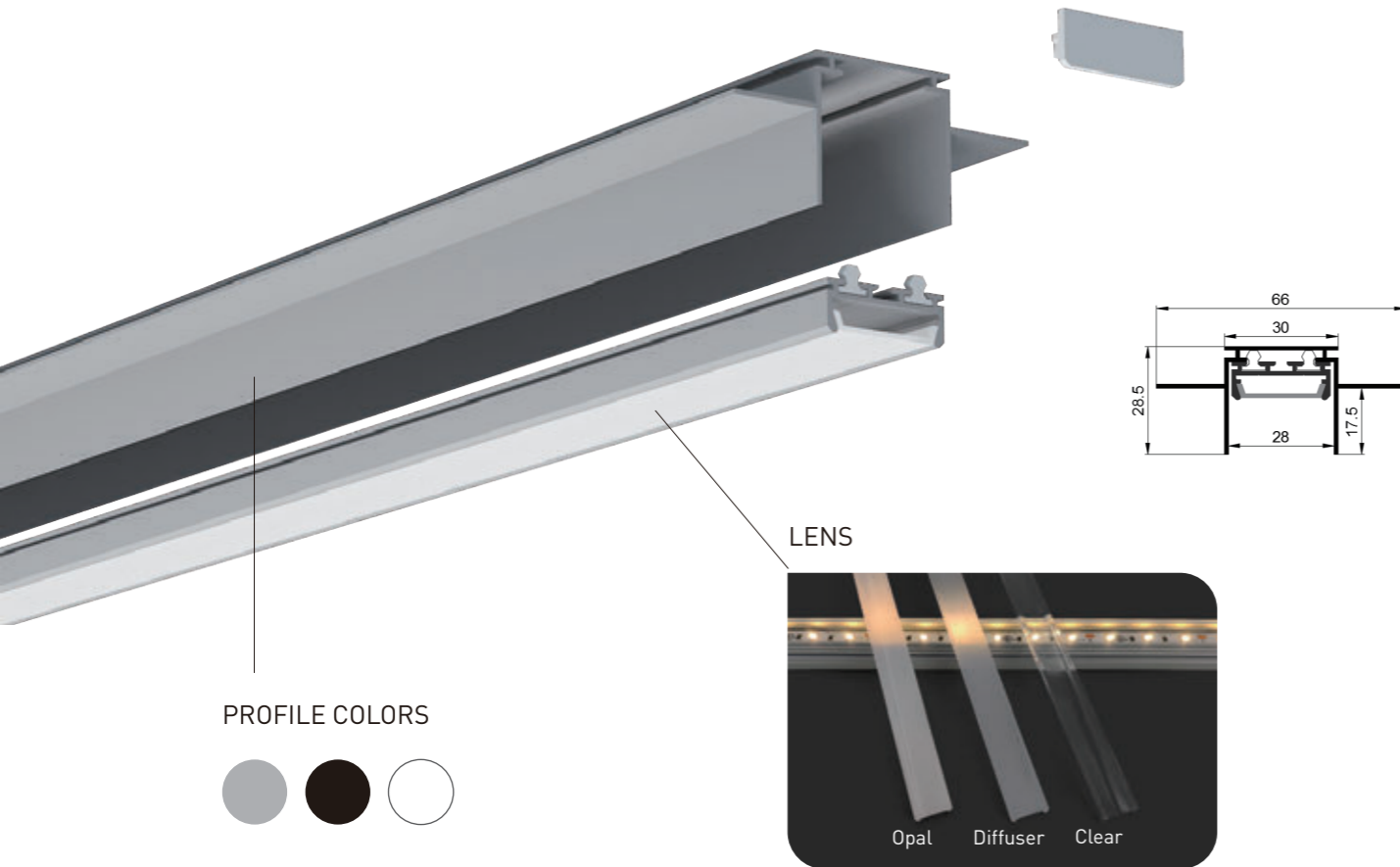
Performance	Part Code	Led Qty	Input Vol.	Power	CRI	Light Source Lumen	Diffuser Lens Lumen	Cuttable length	Max Run	Pcb Width
General	FN-2835T-120	120pcs/m	12/24VDC	14.40 W/m	90+	1512 lm/m	680lm/m	12V=25mm 24V=50mm	12V=5m 24V=9m	10 mm
					95+	1282 lm/m	577lm/m			
High Efficiency	FN-H2835T-128	128pcs/m	24VDC	11.52 W/m	90+	1613 lm/m	726lm/m	24V=62.5mm	24V=6m	10 mm
					95+	1475 lm/m	664lm/m			
	FN-H28350-160	160pcs/m	24VDC	24 W/m	90+	3480 lm/m	1739lm/m	50mm	3m	10 mm
					95+	1987 lm/m	894lm/m			
						1843 lm/m	829lm/m			
FN-H28350-192	192pcs/m	24VDC	28.8 W/m	90+	4176 lm/m	2086lm/m	41.7mm	2.5m	10 mm	
Long Run	LN-H2835T-80	80pcs/m	36VDC	5.18W/m	90+	580 lm/m	261lm/m	100mm	50m	10 mm
					95+	482 lm/m	217lm/m			
	LN-H2835T-112	112pcs/m	48VDC	11.52 W/m	90+	1336 lm/m	601lm/m	125mm	25m	10 mm
					95+	1106 lm/m	498lm/m			
	LN-H2835T-120	120pcs/m	24VDC	6.00 W/m	90+	588 lm/m	265lm/m	50mm	21m	10 mm
					95+	486 lm/m	219lm/m			
Short Cut	FN-F2835A-120	120pcs/m	12VDC	21.60 W/m	90+	1922 lm/m	865lm/m	16.7mm	3.5m	10 mm
					95+	1595 lm/m	718lm/m			

Remark: 1. The tested data based on silver finish in 4000K, CRI 90+ light source. 2. LN-H2835T-80 is good for long run, but it will show light spot.



TRIMLESS RECESSED SERIES

► SL661628



Installation: Trimless Recessed
 Length Available: 1-3m
 Profile Color: Silver, Black Anodized, White Powder Coating
 Lens: Opal, Diffuser, Clear
 Input Cable: Endcaps, Profile Bottom, Profile Sides
 Quick Female/Male Connectors Input cable & Junction Box available

TRIMLESS RECESSED SERIES

► SL661628

ORDERING CODE

Luminaire	Finish	Lens	Vol.	Power	CRI	CCT	Input Cable	Connector	Wiring
SL661628	W White	D Diffuser	12 12VDC	5.18W/m	90 90+	22-2200K , 24-2400K , 25-2500K 27-2700K , 30-3000K , 35-3500K 40-4000K , 50-5000K , 65-6500K	01 - Black&Red 22AWG 02 - Black&White 22AWG 03 - White PU protected 2 pin 04 - 3Pin cable for Tunable white	A - AMP male/female M - Molex male/female D - DC male/female	B - Through profile back E - Through Endcaps S - Through profile side
	B Black	O Opal	24 24VDC	11.52W/m	95 95+	22-2200K , 25-2500K , 27-2700K 30-3000K , 35-3500K , 40-4000K 50-5000K , 65-6500K			
	S Silver	C Clear	36 36VDC	14.40W/m	TW	Tunable White - check your executive sales			
			48 48VDC	21.60W/m 24.00W/m 28.80W/m	D2W	Dim To Warm - check your executive sales			

RECOMMENDED LIGHT SOURCE

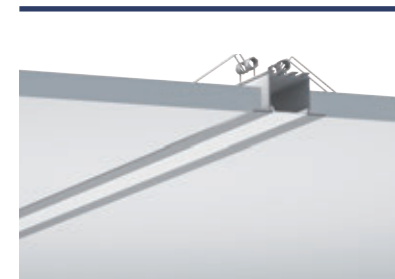
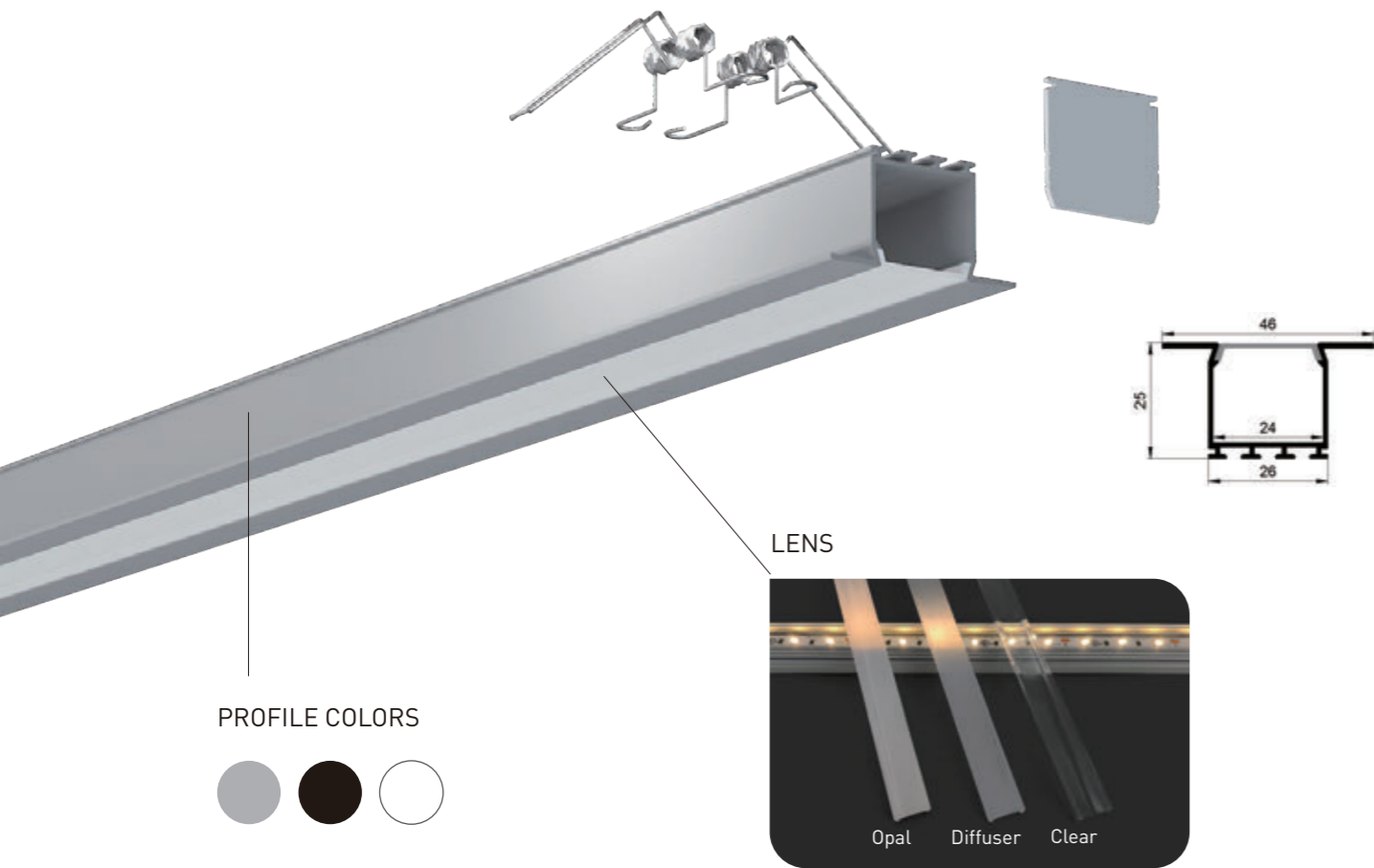
Performance	Part Code	Led Qty	Input Vol.	Power	CRI	Light Source Lumen	Diffuser Lens Lumen	Cuttable length	Max Run	Pcb Width
General	FN-2835T-120	120pcs/m	12/24VDC	14.40 W/m	90+	1512 lm/m	680lm/m	12V=25mm 24V=50mm	12V=5m 24V=9m	10 mm
					95+	1282 lm/m	577lm/m			
High Efficiency	FN-H2835T-128	128pcs/m	24VDC	11.52 W/m	90+	1613 lm/m	726lm/m	24V=62.5mm	24V=6m	10 mm
					95+	1475 lm/m	664lm/m			
	FN-H28350-160	160pcs/m	24VDC	24 W/m	90+	3480 lm/m	1739lm/m	50mm	3m	10 mm
					95+	1987 lm/m	894lm/m			
FN-H2835T-160	160pcs/m	24VDC	14.40 W/m	90+	1843 lm/m	829lm/m	24V=50mm	24V=5m	10 mm	
				95+	1843 lm/m	829lm/m				
FN-H28350-192	192pcs/m	24VDC	28.8 W/m	90+	4176 lm/m	2086lm/m	41.7mm	2.5m	10 mm	
				95+	4176 lm/m	2086lm/m				
Long Run	LN-H2835T-80	80pcs/m	36VDC	5.18W/m	90+	580 lm/m	261lm/m	100mm	50m	10 mm
					95+	482 lm/m	217lm/m			
	LN-H2835T-112	112pcs/m	48VDC	11.52 W/m	90+	1336 lm/m	601lm/m	125mm	25m	10 mm
					95+	1106 lm/m	498lm/m			
	LN-H2835T-120	120pcs/m	24VDC	6.00 W/m	90+	588 lm/m	265lm/m	50mm	21m	10 mm
					95+	486 lm/m	219lm/m			
Short Cut	FN-F2835A-120	120pcs/m	12VDC	21.60 W/m	90+	1922 lm/m	865lm/m	16.7mm	3.5m	10 mm
					95+	1595 lm/m	718lm/m			

Remark: 1. The tested data based on silver finish in 4000K, CRI 90+ light source. 2. LN-H2835T-80 is good for long run, but it will show light spot.



TRIMED RECESSED SERIES

► SL472524



Installation: Trimmed Recessed
 Length Available: 1-3m
 Profile Color: Silver, Black Anodized, White Powder Coating
 Lens: Opal, Diffuser, Clear
 Input Cable: Endcaps, Profile Bottom, Profile Sides
 Quick Female/Male Connectors Input cable & Junction Box available

TRIMED RECESSED SERIES

► SL472524

ORDERING CODE

Luminaire	Finish	Lens	Vol.	Power	CRI	CCT	Input Cable	Connector	Wiring
SL472524	W White	D Diffuser	12 12VDC	2.40W/m	90 90+	22-2200K , 24-2400K , 25-2500K 27-2700K , 30-3000K , 35-3500K 40-4000K , 50-5000K , 65-6500K	01 - Black&Red 22AWG	A - AMP male/female	B - Through profile back
				5.04W/m					
	B Black	O Opal	24 24VDC	5.18W/m	95 95+	22-2200K , 25-2500K , 27-2700K 30-3000K , 35-3500K , 40-4000K 50-5000K , 65-6500K	02 - Black&White 22AWG	M - Molex male/female	E - Through Endcaps
				5.76W/m					
	S Silver	C Clear	36 36VDC	6.00W/m	TW	Tunable White - check your executive sales	03 - White PU protected 2 pin	D - DC male/female	S - Through profile side
				7.68W/m					
				48 48VDC	D2W	Dim To Warm - check your executive sales	04 - 3Pin cable for Tunable white		
				11.52W/m					
				14.40W/m					
				21.60W/m					
				24.00W/m					
				28.80W/m					

RECOMMENDED LIGHT SOURCE

Performance	Part Code	Led Qty	Input Vol.	Power	CRI	Light Source Lumen	Diffuser Lens Lumen	Cutttable length	Max Run	Pcb Width	
General	FN-2835T-60	60pcs/m	12/24VDC	14.40 W/m	90+	1440 lm/m	648 lm/m	12V=25mm 24V=100mm	12V=5m 24V=9m	10 mm	
					95+	1238 lm/m	557 lm/m				
High Efficiency	FN-H2835T-64	64pcs/m	24VDC	7.68 W/m	90+	1029 lm/m	463 lm/m	125mm	5m	10 mm	
					95+	968 lm/m	436 lm/m				
	FN-H28350-80	80pcs/m	24VDC	14.40W/m	90+	2275 lm/m	1024 lm/m	100mm	4m	10 mm	
Long Run	LN-2835T-60	60pcs/m	24VDC	5.04 W/m	90+	499 lm/m	225 lm/m	100mm	21m	10mm	
					95+	413 lm/m	186 lm/m				
					2.4 W/m	90+	230 lm/m	104 lm/m	100mm	50m	10 mm
						95+	190 lm/m	86 lm/m			
Short Cut	FN-F2835A-60	60pcs/m	12VDC	14.4 W/m	90+	668 lm/m	301 lm/m	250mm	35m	10 mm	
					95+	553 lm/m	249 lm/m				
					90+	1239 lm/m	531 lm/m	33.3mm	5.5m	10 mm	
					95+	979lm/m	441 lm/m				

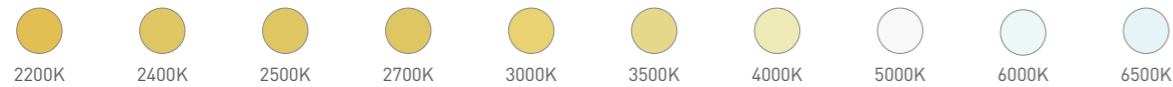
TRIMED RECESSED SERIES

► SL472524

RECOMMENDED LIGHT SOURCE

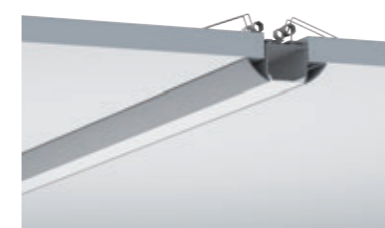
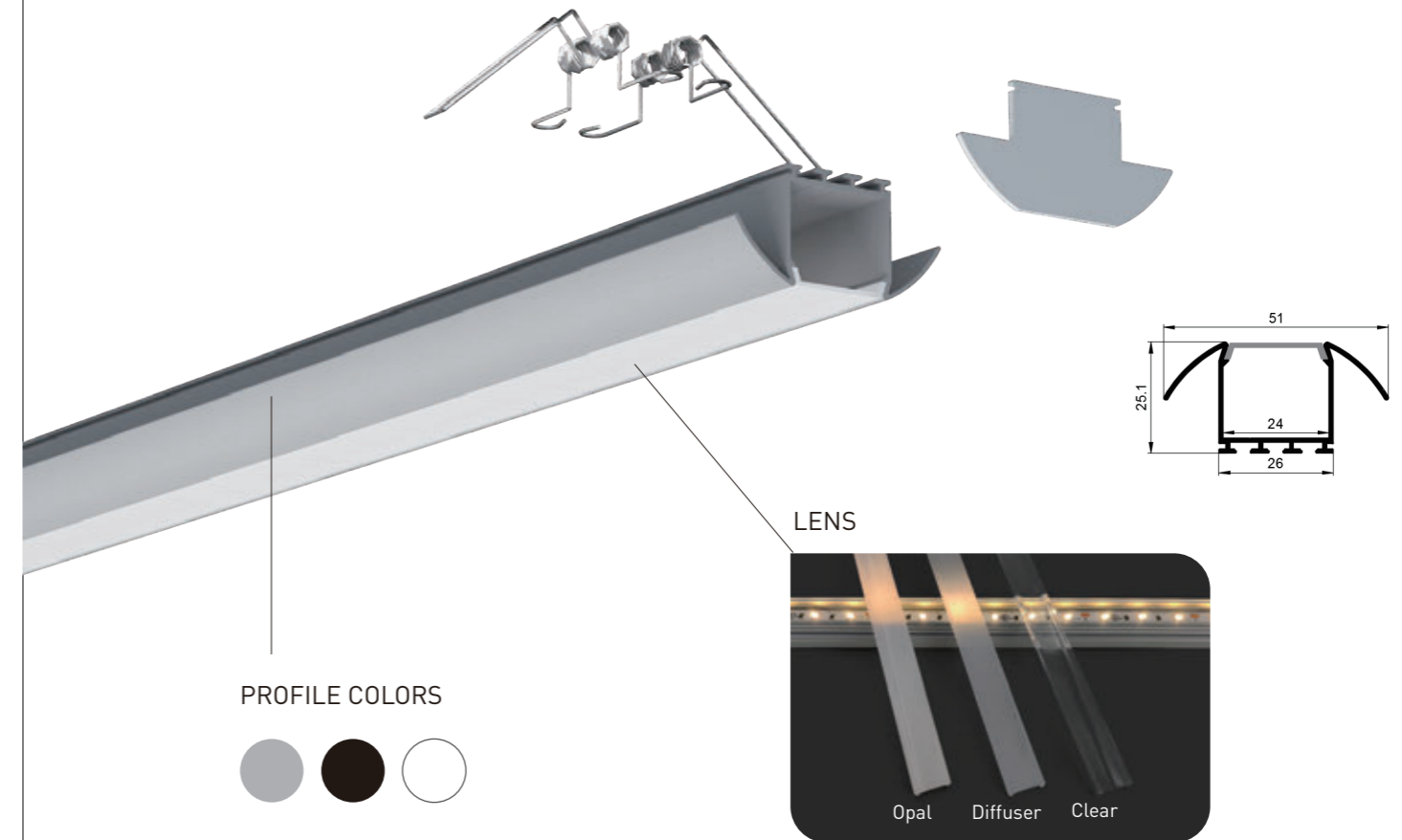
Performance	Part Code	Led Qty	Input Vol.	Power	CRI	Light Source Lumen	Diffuser Lens Lumen	Cutttable length	Max Run	Pcb Width
General	FN-2835T-120	120pcs/m	12/24VDC	14.40 W/m	90+	1512 lm/m	680 lm/m	12V=25mm 24V=50mm	12V=5m 24V=9m	10 mm
					95+	1282 lm/m	577 lm/m			
High Efficiency	FN-H2835T-128	128pcs/m	24VDC	11.52 W/m	90+	1613 lm/m	726 lm/m	24V=62.5mm	24V=6m	10 mm
					95+	1475 lm/m	664 lm/m			
	FN-H28350-160	160pcs/m	24VDC	24 W/m	90+	3480 lm/m	1739 lm/m	50mm	3m	10 mm
	FN-H2835T-160	160pcs/m	24VDC	14.40 W/m	90+	1987 lm/m	894 lm/m	24V=50mm	24V=5m	10 mm
					95+	1843 lm/m	829 lm/m			
FN-H28350-192	192pcs/m	24VDC	28.8 W/m	90+	4176 lm/m	2086 lm/m	41.7mm	2.5m	10 mm	
Long Run	LN-H2835T-80	80pcs/m	36VDC	5.18W/m	90+	580 lm/m	261 lm/m	100mm	50m	10 mm
					95+	482 lm/m	217 lm/m			
	LN-H2835T-112	112pcs/m	48VDC	11.52 W/m	90+	1336 lm/m	601 lm/m	125mm	25m	10 mm
					95+	1106 lm/m	498 lm/m			
	LN-H2835T-120	120pcs/m	24VDC	6.00 W/m	90+	588 lm/m	265 lm/m	50mm	21m	10 mm
					95+	486 lm/m	219 lm/m			
Short Cut	FN-F2835A-120	120pcs/m	12VDC	21.60 W/m	90+	1922 lm/m	865 lm/m	16.7mm	3.5m	10 mm
					95+	1595 lm/m	718 lm/m			

Remark: 1. The tested data based on silver finish in 4000K, CRI 90+ light source. 2. LN-H2835T-80 is good for long run, but it will show light spot.



TRIMED RECESSED SERIES

► SL512624



Installation: Trimmed Recessed
 Length Available: 1-3m
 Profile Color: Silver, Black Anodized, White Powder Coating
 Lens: Opal, Diffuser, Clear
 Input Cable: Endcaps, Profile Bottom, Profile Sides
 Quick Female/Male Connectors Input cable & Junction Box available

TRIMED RECESSED SERIES

► SL512624

ORDERING CODE

Luminaire	Finish	Lens	Vol.	Power	CRI	CCT	Input Cable	Connector	Wiring	
SL512624	W White	D Diffuser	12 12VDC	2.40W/m	90 90+	22-2200K , 24-2400K , 25-2500K 27-2700K , 30-3000K , 35-3500K 40-4000K , 50-5000K , 65-6500K	01 - Black&Red 22AWG	A - AMP male/female	B - Through profile back	
			24 24VDC	5.04W/m						
	B Black	O Opal	36 36VDC	5.18W/m	95 95+	22-2200K , 25-2500K , 27-2700K 30-3000K , 35-3500K , 40-4000K 50-5000K , 65-6500K	02 - Black&White 22AWG	M - Molex male/female	E - Through Endcaps	
			48 48VDC	5.76W/m						
	S Silver	C Clear		6.00W/m	TW	Tunable White - check your executive sales	03 - White PU protected 2 pin			S - Through profile side
				7.68W/m						
				11.52W/m						
				14.40W/m						
				21.60W/m						
				24.00W/m						
28.80W/m	D2W	Dim To Warm - check your executive sales	04 - 3Pin cable for Tunable white							

RECOMMENDED LIGHT SOURCE

Performance	Part Code	Led Qty	Input Vol.	Power	CRI	Light Source Lumen	Diffuser Lens Lumen	Cutttable length	Max Run	Pcb Width
General	FN-2835T-60	60pcs/m	12/24VDC	14.40 W/m	90+	1440 lm/m	648 lm/m	12V=25mm 24V=100mm	12V=5m 24V=9m	10 mm
					95+	1238 lm/m	557 lm/m			
High Efficiency	FN-H2835T-64	64pcs/m	24VDC	7.68 W/m	90+	1029 lm/m	463 lm/m	125mm	5m	10 mm
					95+	968 lm/m	436 lm/m			
	FN-H28350-80	80pcs/m	24VDC	14.40W/m	90+	2275 lm/m	1024 lm/m	100mm	4m	10 mm
Long Run	LN-2835T-60	60pcs/m	24VDC	5.04 W/m	90+	499 lm/m	225 lm/m	100mm	21m	10mm
					95+	413 lm/m	186 lm/m			
				2.4 W/m	90+	230 lm/m	104 lm/m	100mm	50m	10 mm
					95+	190 lm/m	86 lm/m			
Short Cut	FN-F2835A-60	60pcs/m	12VDC	14.4 W/m	90+	1239 lm/m	531 lm/m	33.3mm	5.5m	10 mm
					95+	979lm/m	441 lm/m			

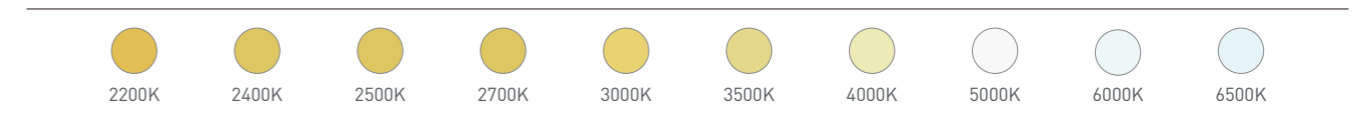
TRIMED RECESSED SERIES

► SL512624

RECOMMENDED LIGHT SOURCE

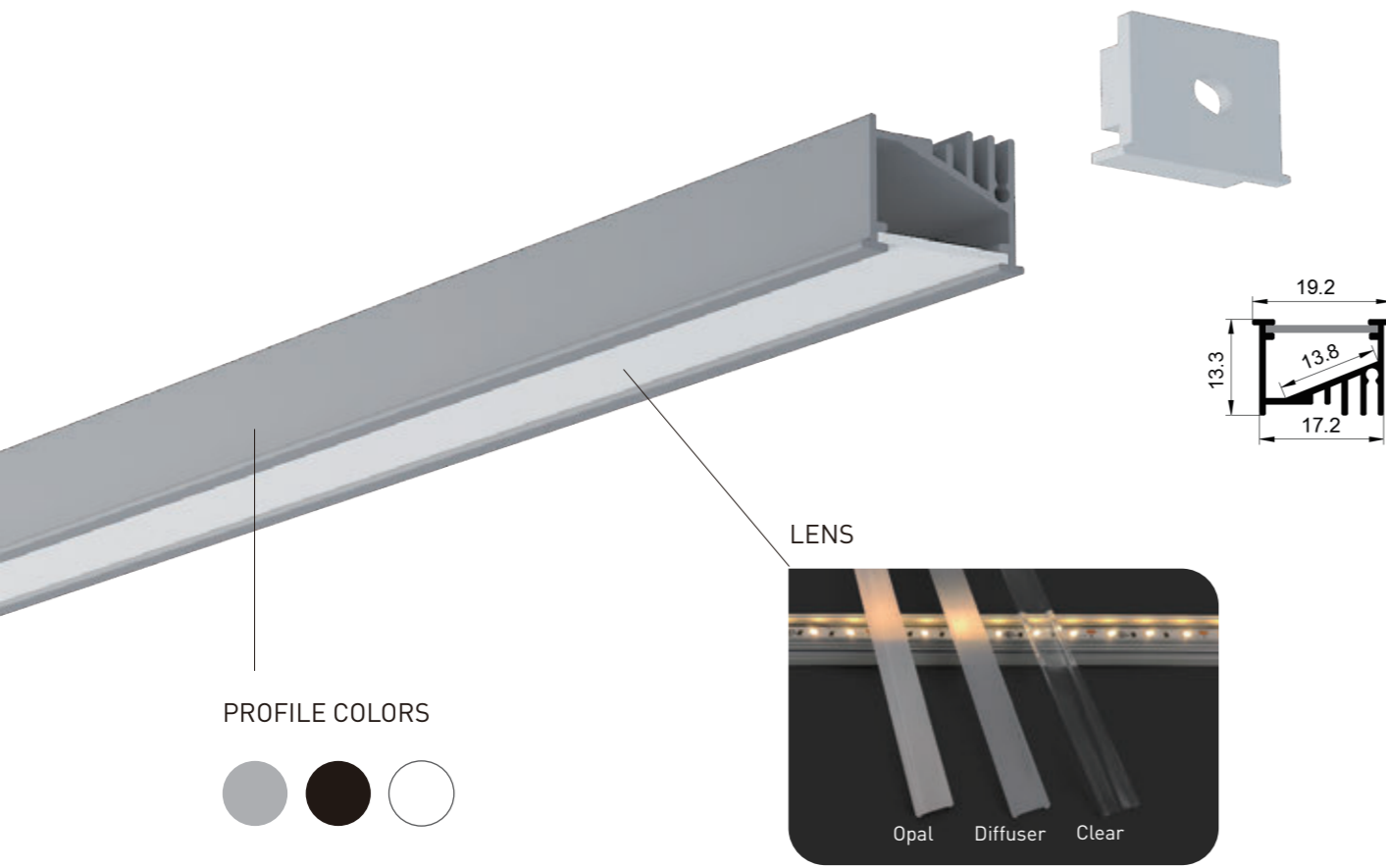
Performance	Part Code	Led Qty	Input Vol.	Power	CRI	Light Source Lumen	Diffuser Lens Lumen	Cutttable length	Max Run	Pcb Width
General	FN-2835T-120	120pcs/m	12/24VDC	14.40 W/m	90+	1512 lm/m	680 lm/m	12V=25mm 24V=50mm	12V=5m 24V=9m	10 mm
					95+	1282 lm/m	577 lm/m			
High Efficiency	FN-H2835T-128	128pcs/m	24VDC	11.52 W/m	90+	1613 lm/m	726 lm/m	24V=62.5mm	24V=6m	10 mm
				95+	1475 lm/m	664 lm/m				
	FN-H28350-160	160pcs/m	24VDC	24 W/m	90+	3480 lm/m	1739 lm/m	50mm	3m	10 mm
	FN-H2835T-160	160pcs/m	24VDC	14.40 W/m	90+	1987 lm/m	894 lm/m	24V=50mm	24V=5m	10 mm
				95+	1843 lm/m	829 lm/m				
FN-H28350-192	192pcs/m	24VDC	28.8 W/m	90+	4176 lm/m	2086 lm/m	41.7mm	2.5m	10 mm	
Long Run	LN-H2835T-80	80pcs/m	36VDC	5.18W/m	90+	580 lm/m	261 lm/m	100mm	50m	10 mm
					95+	482 lm/m	217 lm/m			
	LN-H2835T-112	112pcs/m	48VDC	11.52 W/m	90+	1336 lm/m	601 lm/m	125mm	25m	10 mm
					95+	1106 lm/m	498 lm/m			
	LN-H2835T-120	120pcs/m	24VDC	6.00 W/m	90+	588 lm/m	265 lm/m	50mm	21m	10 mm
					95+	486 lm/m	219 lm/m			
Short Cut	FN-F2835A-120	120pcs/m	12VDC	21.60 W/m	90+	1922 lm/m	865 lm/m	16.7mm	3.5m	10 mm
					95+	1595 lm/m	718 lm/m			

Remark: 1. The tested data based on siliver finish in 4000K, CRI 90+ light source. 2. LN-H2835T-80 is good for long run, but it will show light spot.



TRIMED RECESSED SERIES

► SL191313



TRIMED RECESSED SERIES

► SL191313

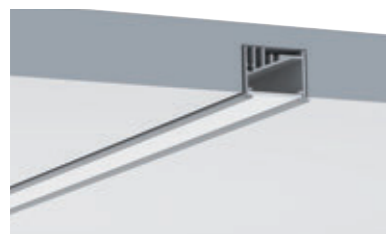
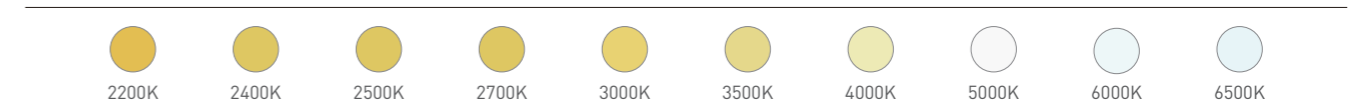
ORDERING CODE

Luminaire	Finish	Lens	Vol.	Power	CRI	CCT	Input Cable	Connector	Wiring		
SL191313	W White	D Diffuser	24 24VDC	12.96W /m 17.28W /m	90 90+	22-2200K , 24-2400K 25-2500K , 27-2700K 30-3000K , 35-3500K 40-4000K , 50-5000K 65-6500K	01 - Black&Red 22AWG	A - AMP male/female	B - Through profile back		
	B Black	O Opal								M - Molex male/female	E - Through Endcaps
	S Silver	C Clear									
			TW	Tunable White - check your executive sales	03 - White PU protected 2 pin						
					D2W	Dim To Warm - check your executive sales	04 - 3Pin cable for Tunable white				

RECOMMENDED LIGHT SOURCE

Part Code	Led Qty	Input Vol.	Power	CRI	Light Source Lumen	Diffuser Lens Lumen	Cutttable length	Max Run	Pcb Width
FN-2016-180	180pcs/m	24VDC	12.96W/m	90+	1000 lm/m	450 lm/m	33mm	3m	10mm
FN-2016-240	240pcs/m		17.28W/m	90+	1300 lm/m	585 lm/m	25mm		

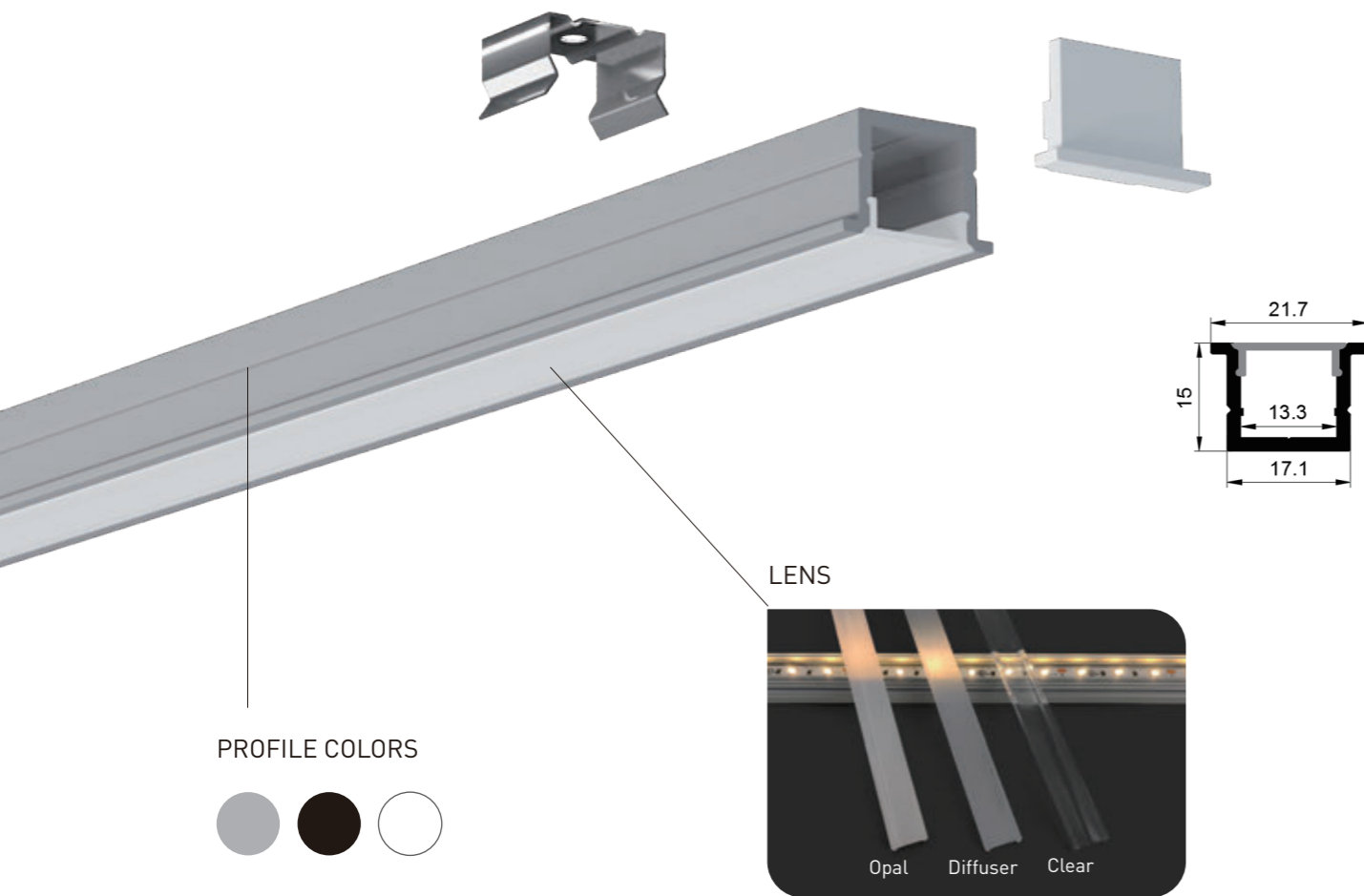
Remark: The tested data based on silver finish in 4000K, CRI 90+ light source.



Installation: Trimmed Recessed
 Length Available: 1-3m
 Profile Color: Silver, Black Anodized, White Powder Coating
 Lens: Opal, Diffuser, Clear
 Input Cable: Endcaps, Profile Bottom, Profile Sides
 Quick Female/Male Connectors Input cable & Junction Box available

TRIMED RECESSED SERIES

► SL211613



Installation: Trimmed Recessed
 Length Available: 1-3m
 Profile Color: Silver, Black Anodized, White Powder Coating
 Lens: Opal, Diffuser, Clear
 Input Cable: Endcaps, Profile Bottom, Profile Sides
 Quick Female/Male Connectors Input cable & Junction Box available

TRIMED RECESSED SERIES

► SL211613

ORDERING CODE

Luminaire	Finish	Lens	Vol.	Power	CRI	CCT	Input Cable	Connector	Wiring
SL211613	W White	D Diffuser	12 12VDC	5.18W/m	90	22-2200K , 24-2400K , 25-2500K 27-2700K , 30-3000K , 35-3500K 40-4000K , 50-5000K , 65-6500K	01 - Black&Red 22AWG 02 - Black&White 22AWG 03 - White PU protected 2 pin 04 - 3Pin cable for Tunable white	A - AMP male/female M - Molex male/female D - DC male/female	B - Through profile back E - Through Endcaps S - Through profile side
	B Black	O Opal	24 24VDC	11.52W/m	95				
	S Silver	C Clear	36 36VDC	14.40W/m	95+				
			48 48VDC	21.60W/m 24.00W/m 28.80W/m	TW	Tunable White - check your executive sales			
					D2W	Dim To Warm - check your executive sales			

RECOMMENDED LIGHT SOURCE

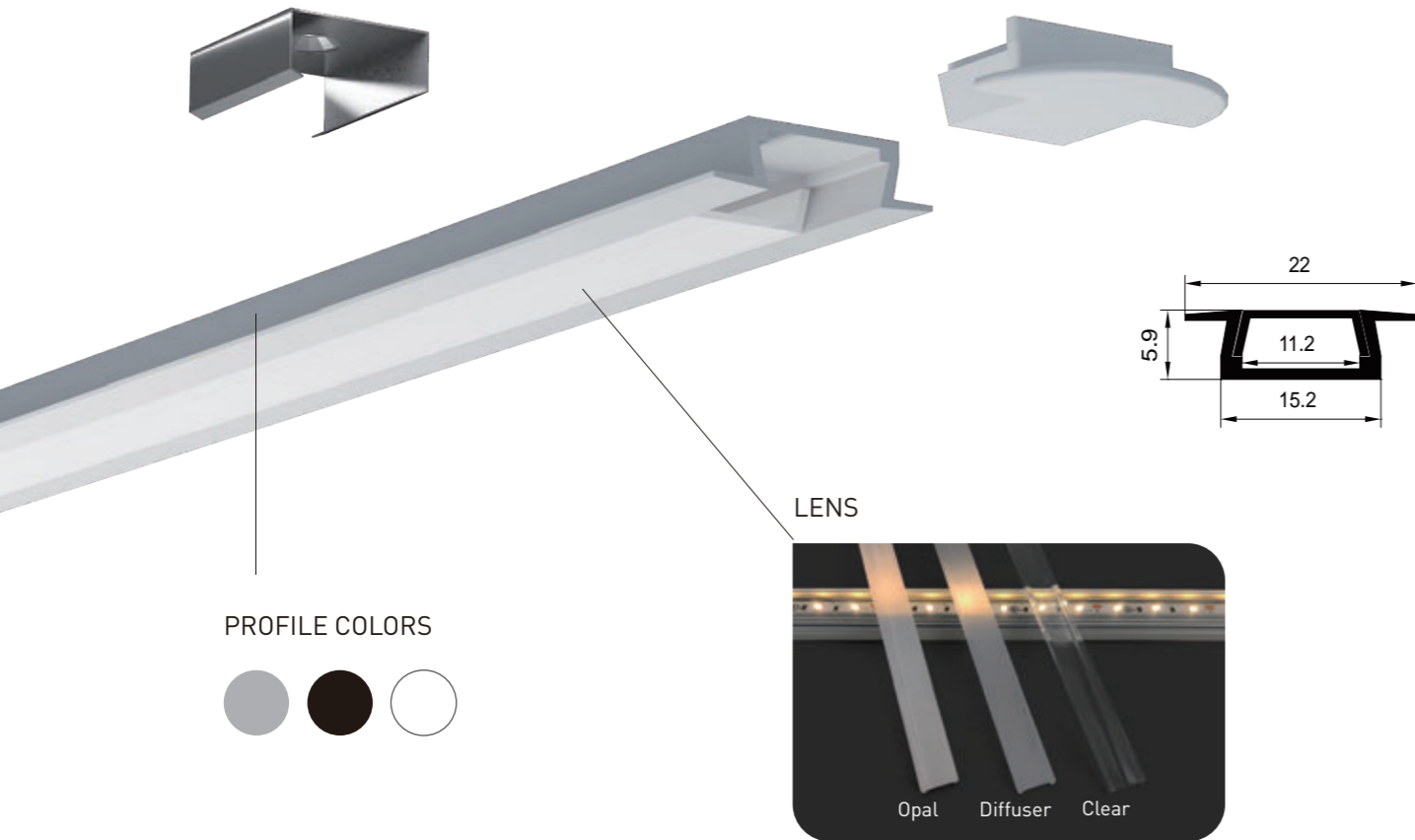
Performance	Part Code	Led Qty	Input Vol.	Power	CRI	Light Source Lumen	Diffuser Lens Lumen	Cuttable length	Max Run	Pcb Width
General	FN-2835T-120	120pcs/m	12/24VDC	14.40 W/m	90+	1512 lm/m	680lm/m	12V=25mm 24V=50mm	12V=5m 24V=9m	10 mm
					95+	1282 lm/m	577lm/m			
High Efficiency	FN-H2835T-128	128pcs/m	24VDC	11.52 W/m	90+	1613 lm/m	726lm/m	24V=62.5mm	24V=6m	10 mm
					95+	1475 lm/m	664lm/m			
	FN-H28350-160	160pcs/m	24VDC	24 W/m	90+	3480 lm/m	1739lm/m	50mm	3m	10 mm
					95+	1987 lm/m	894lm/m			
Long Run	FN-H2835T-160	160pcs/m	24VDC	14.40 W/m	90+	1843 lm/m	829lm/m	24V=50mm	24V=5m	10 mm
					95+	1843 lm/m	829lm/m			
	FN-H28350-192	192pcs/m	24VDC	28.8 W/m	90+	4176 lm/m	2086lm/m	41.7mm	2.5m	10 mm
Short Cut	LN-H2835T-80	80pcs/m	36VDC	5.18W/m	90+	580 lm/m	261lm/m	100mm	50m	10 mm
					95+	482 lm/m	217lm/m			
	LN-H2835T-112	112pcs/m	48VDC	11.52 W/m	90+	1336 lm/m	601lm/m	125mm	25m	10 mm
95+					1106 lm/m	498lm/m				
LN-H2835T-120	120pcs/m	24VDC	6.00 W/m	90+	588 lm/m	265lm/m	50mm	21m	10 mm	
				95+	486 lm/m	219lm/m				
FN-F2835A-120	120pcs/m	12VDC	21.60 W/m	90+	1922 lm/m	865lm/m	16.7mm	3.5m	10 mm	
				95+	1595 lm/m	718lm/m				

Remark: 1. The tested data based on silver finish in 4000K, CRI 90+ light source. 2. LN-H2835T-80 is good for long run, but it will show light spot.



TRIMED RECESSED SERIES

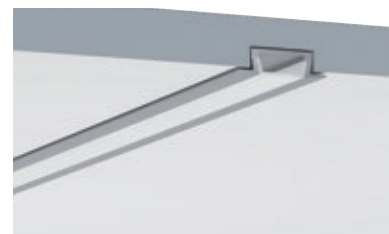
► SL220611



PROFILE COLORS



Opal Diffuser Clear



Installation: Trimmed Recessed
 Length Available: 1-3m
 Profile Color: Silver, Black Anodized, White Powder Coating
 Lens: Opal, Diffuser, Clear
 Input Cable: Endcaps, Profile Bottom, Profile Sides
 Quick Female/Male Connectors Input cable & Junction Box available

TRIMED RECESSED SERIES

► SL220611

ORDERING CODE

Luminaire	Finish	Lens	Vol.	Power	CRI	CCT	Input Cable	Connector	Wiring
SL220611	W White	D Diffuser	24 24VDC	16.42W/m	90 90+	22-2200K , 24-2400K 25-2500K , 27-2700K 30-3000K , 35-3500K 40-4000K , 50-5000K 65-6500K	01 - Black&Red 22AWG	A - AMP male/female	B - Through profile back
	B Black	O Opal					02 - Black&White 22AWG	M - Molex male/female	E - Through Endcaps
	S Silver	C Clear					03 - White PU protected 2 pin	D - DC male/female	S - Through profile side
					TW	Tunable White - check your executive sales			
					D2W	Dim To Warm - check your executive sales	04 - 3Pin cable for Tunable white		

RECOMMENDED LIGHT SOURCE

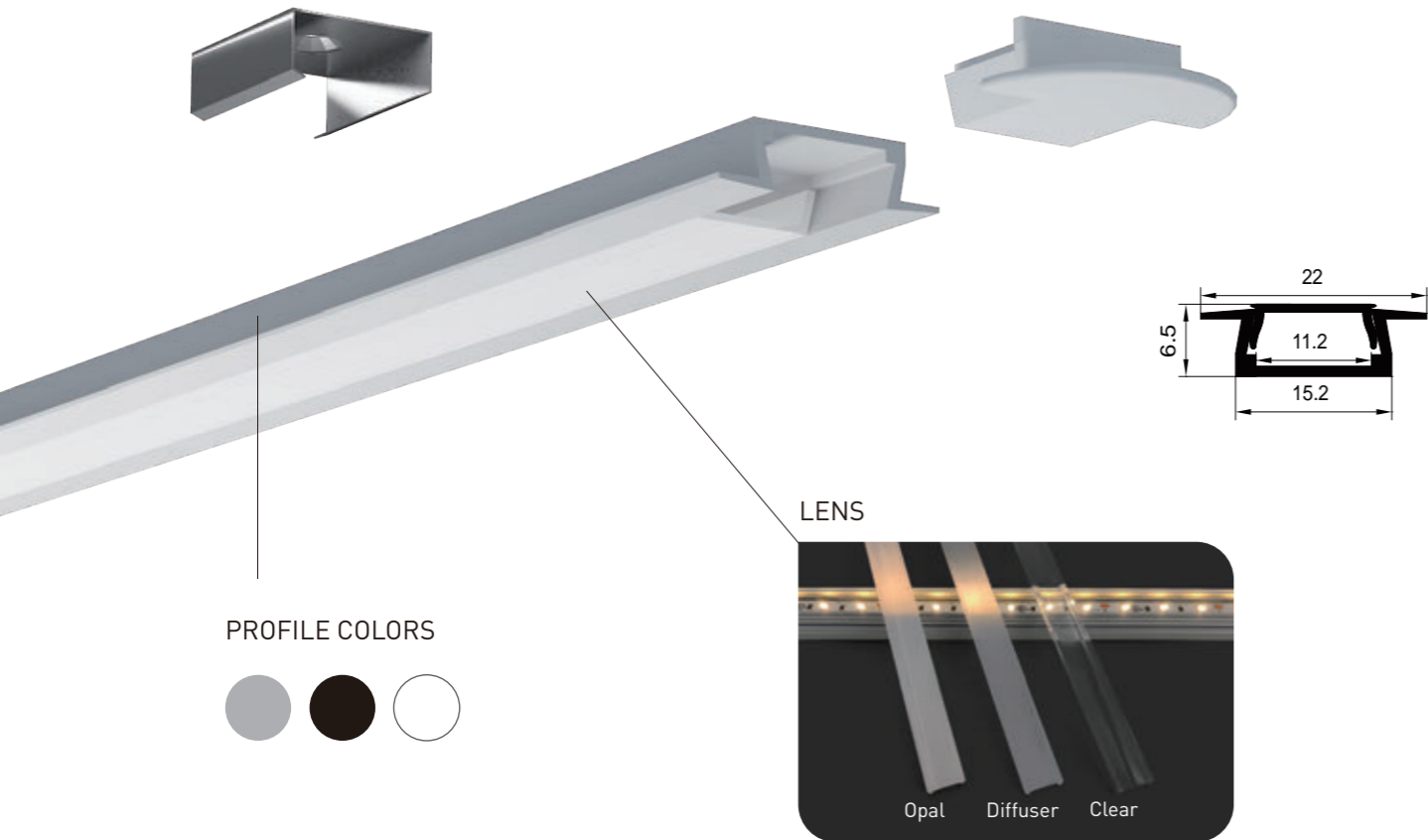
Performance	Part Code	Led Qty	Input Vol.	Power	CRI	Light Source Lumen	Diffuser Lens Lumen	Cutttable length	Max Run	Pcb Width
General	FN-2016-266	266pcs/m	24VDC	16.42W/m	90+	1700 lm/m	986 lm/m	26.3mm	3m	10mm

Remark: The tested data based on silver finish in 4000K, CRI 90+ light source.



TRIMED RECESSED SERIES

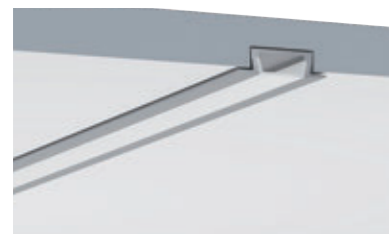
► SL2206B11



PROFILE COLORS



Opal Diffuser Clear



Installation: Trimmed Recessed
 Length Available: 1-3m
 Profile Color: Silver, Black Anodized, White Powder Coating
 Lens: Opal, Diffuser, Clear
 Input Cable: Endcaps, Profile Bottom, Profile Sides
 Quick Female/Male Connectors Input cable & Junction Box available

TRIMED RECESSED SERIES

► SL2206B11

ORDERING CODE

Luminaire	Finish	Lens	Vol.	Power	CRI	CCT	Input Cable	Connector	Wiring		
SL2206B11	W White	D Diffuser	24 24VDC	16.42W/m	90 90+	22-2200K , 24-2400K 25-2500K , 27-2700K 30-3000K , 35-3500K 40-4000K , 50-5000K 65-6500K	01 - Black&Red 22AWG	A - AMP male/female	B - Through profile back		
	B Black	O Opal								M - Molex male/female	E - Through Endcaps
	S Silver	C Clear								D - DC male/female	S - Through profile side
					TW	Tunable White - check your executive sales	03 - White PU protected 2 pin				
					D2W	Dim To Warm - check your executive sales	04 - 3Pin cable for Tunable white				

RECOMMENDED LIGHT SOURCE

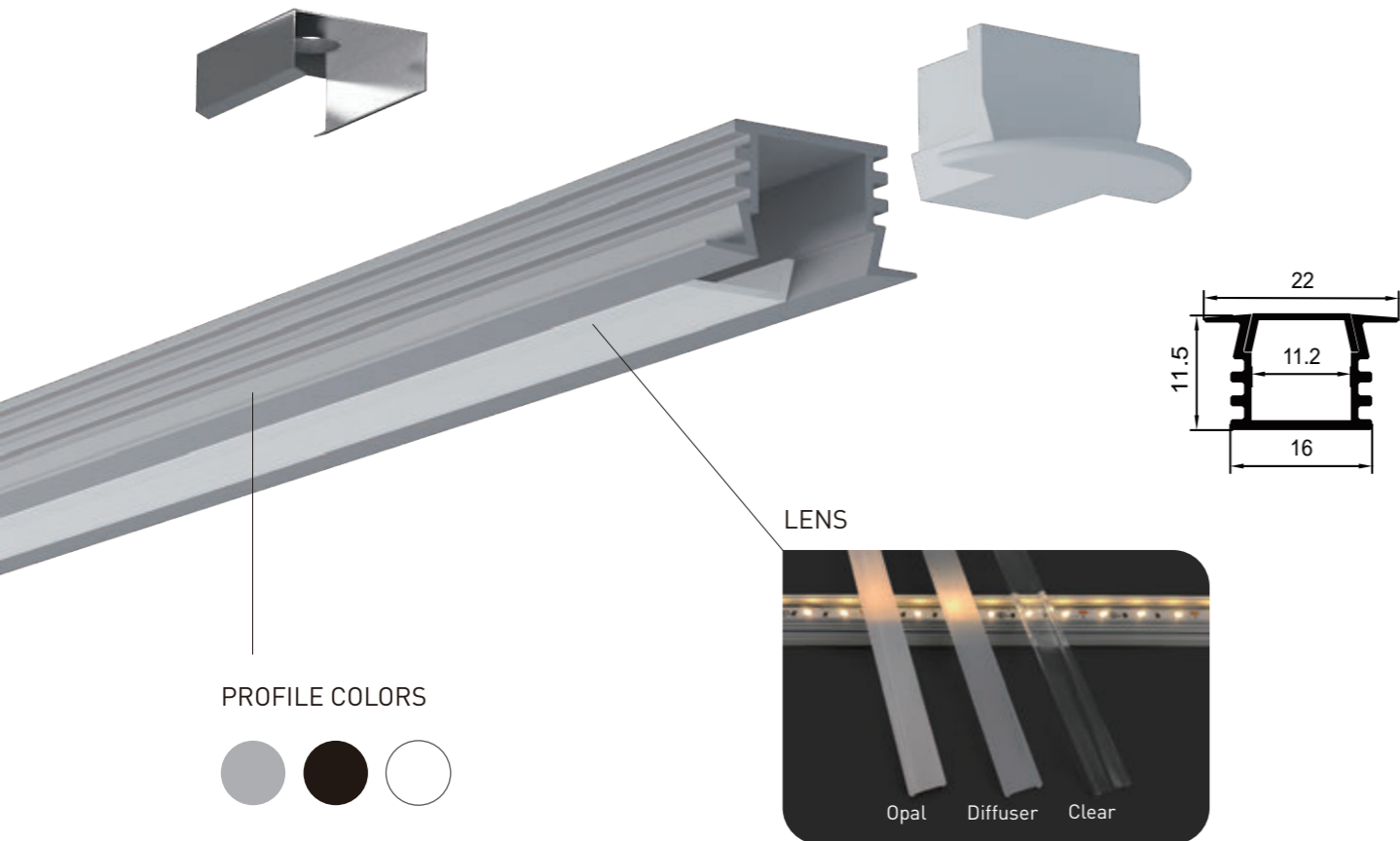
Performance	Part Code	Led Qty	Input Vol.	Power	CRI	Light Source Lumen	Diffuser Lens Lumen	Cuttable length	Max Run	Pcb Width
General	FN-2016-266	266pcs/m	24VDC	16.42W/m	90+	1700 lm/m	986 lm/m	26.3mm	3m	10mm

Remark: The tested data based on silver finish in 4000K, CRI 90+ light source.

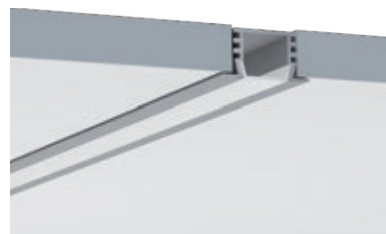


TRIMED RECESSED SERIES

► SL221211



PROFILE COLORS



Installation: Trimmed Recessed
 Length Available: 1-3m
 Profile Color: Silver, Black Anodized, White Powder Coating
 Lens: Opal, Diffuser, Clear
 Input Cable: Endcaps, Profile Bottom, Profile Sides
 Quick Female/Male Connectors Input cable & Junction Box available

TRIMED RECESSED SERIES

► SL221211

ORDERING CODE

Luminaire	Finish	Lens	Vol.	Power	CRI	CCT	Input Cable	Connector	Wiring
SL221211	W White	D Diffuser	12 12VDC	5.18W/m	90 90+	22-2200K , 24-2400K , 25-2500K 27-2700K , 30-3000K , 35-3500K 40-4000K , 50-5000K , 65-6500K	01 - Black&Red 22AWG 02 - Black&White 22AWG 03 - White PU protected 2 pin 04 - 3Pin cable for Tunable white	A - AMP male/female M - Molex male/female D - DC male/female	B - Through profile back E - Through Endcaps S - Through profile side
	B Black	O Opal	24 24VDC	11.52W/m	95 95+	22-2200K , 25-2500K , 27-2700K 30-3000K , 35-3500K , 40-4000K 50-5000K , 65-6500K			
	S Silver	C Clear	36 36VDC	14.40W/m	TW	Tunable White - check your executive sales			
			48 48VDC	21.60W/m 24.00W/m 28.80W/m	D2W	Dim To Warm - check your executive sales			

RECOMMENDED LIGHT SOURCE

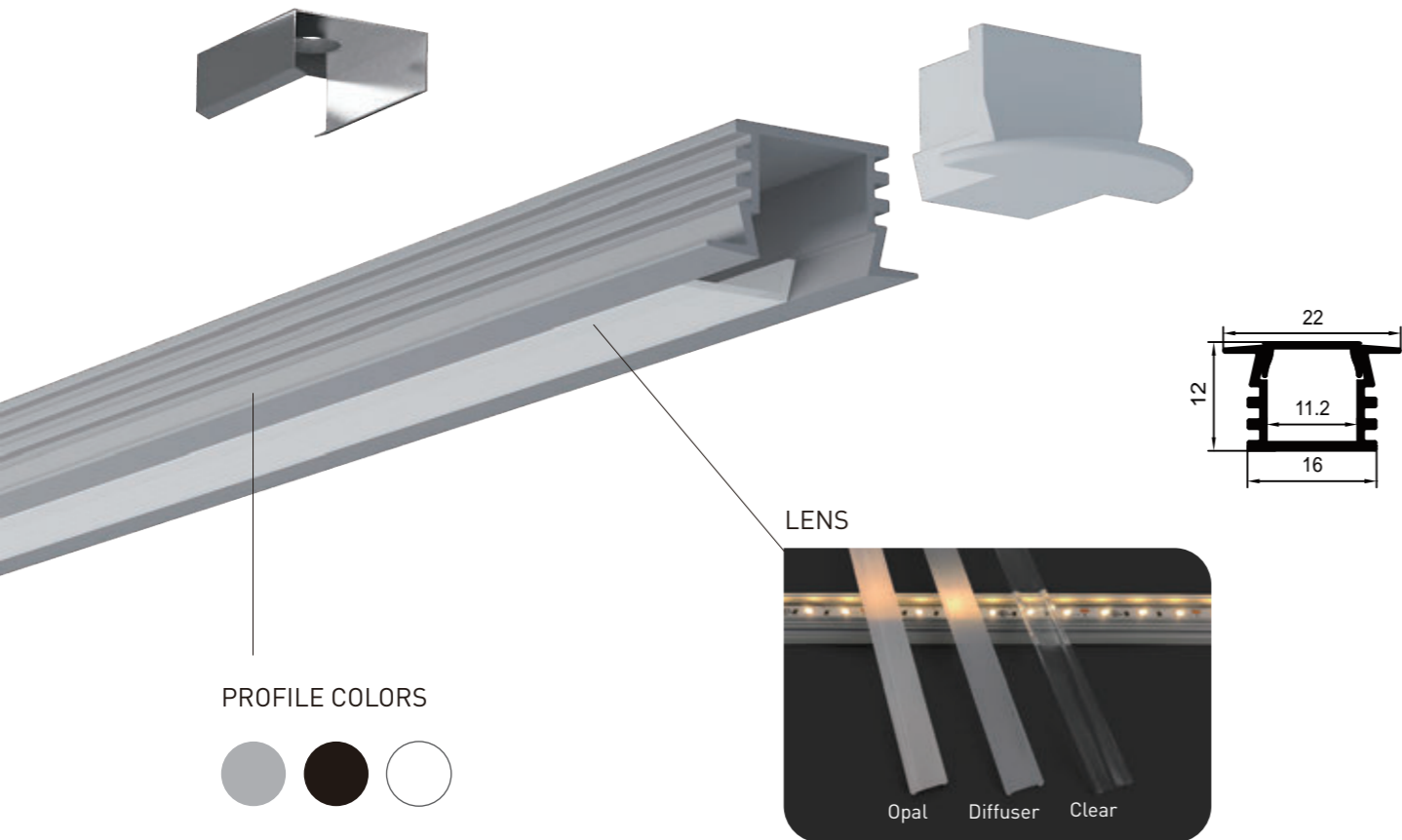
Performance	Part Code	Led Qty	Input Vol.	Power	CRI	Light Source Lumen	Diffuser Lens Lumen	Cuttable length	Max Run	Pcb Width
General	FN-2835T-120	120pcs/m	12/24VDC	14.40 W/m	90+	1512 lm/m	680lm/m	12V=25mm 24V=50mm	12V=5m 24V=9m	10 mm
					95+	1282 lm/m	577lm/m			
High Efficiency	FN-H2835T-128	128pcs/m	24VDC	11.52 W/m	90+	1613 lm/m	726lm/m	24V=62.5mm	24V=6m	10 mm
				95+	1475 lm/m	664lm/m				
	FN-H28350-160	160pcs/m	24VDC	24 W/m	90+	3480 lm/m	1739lm/m	50mm	3m	10 mm
	FN-H2835T-160	160pcs/m	24VDC	14.40 W/m	90+	1987 lm/m	894lm/m	24V=50mm	24V=5m	10 mm
			95+	1843 lm/m	829lm/m					
Long Run	FN-H28350-192	192pcs/m	24VDC	28.8 W/m	90+	4176 lm/m	2086lm/m	41.7mm	2.5m	10 mm
	LN-H2835T-80	80pcs/m	36VDC	5.18W/m	90+	580 lm/m	261lm/m	100mm	50m	10 mm
				95+	482 lm/m	217lm/m				
	LN-H2835T-112	112pcs/m	48VDC	11.52 W/m	90+	1336 lm/m	601lm/m	125mm	25m	10 mm
				95+	1106 lm/m	498lm/m				
	LN-H2835T-120	120pcs/m	24VDC	6.00 W/m	90+	588 lm/m	265lm/m	50mm	21m	10 mm
			95+	486 lm/m	219lm/m					
Short Cut	FN-F2835A-120	120pcs/m	12VDC	21.60 W/m	90+	1922 lm/m	865lm/m	16.7mm	3.5m	10 mm
					95+	1595 lm/m	718lm/m			

Remark: 1. The tested data based on silver finish in 4000K, CRI 90+ light source. 2. LN-H2835T-80 is good for long run, but it will show light spot.



TRIMED RECESSED SERIES

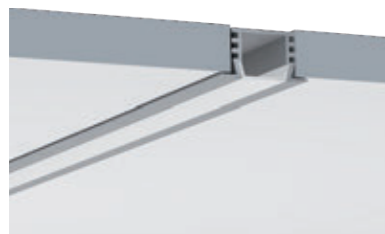
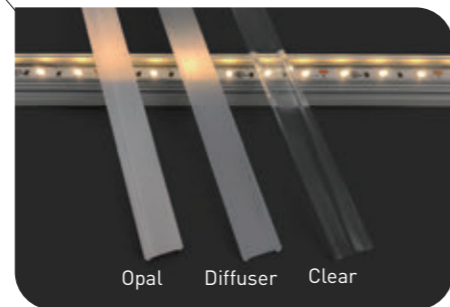
► SL2212B11



PROFILE COLORS



LENS



Installation: Trimmed Recessed
 Length Available: 1-3m
 Profile Color: Silver, Black Anodized, White Powder Coating
 Lens: Opal, Diffuser, Clear
 Input Cable: Endcaps, Profile Bottom, Profile Sides
 Quick Female/Male Connectors Input cable & Junction Box available

TRIMED RECESSED SERIES

► SL2212B11

ORDERING CODE

Luminaire	Finish	Lens	Vol.	Power	CRI	CCT	Input Cable	Connector	Wiring
SL2212B11	W White	D Diffuser	12 12VDC	5.18W/m	90 90+	22-2200K, 24-2400K, 25-2500K 27-2700K, 30-3000K, 35-3500K 40-4000K, 50-5000K, 65-6500K	01 - Black&Red 22AWG 02 - Black&White 22AWG 03 - White PU protected 2 pin 04 - 3Pin cable for Tunable white	A - AMP male/female M - Molex male/female D - DC male/female	B - Through profile back E - Through Endcaps S - Through profile side
	B Black	O Opal	24 24VDC	11.52W/m	95 95+	22-2200K, 25-2500K, 27-2700K 30-3000K, 35-3500K, 40-4000K 50-5000K, 65-6500K			
	S Silver	C Clear	36 36VDC	14.40W/m	TW	Tunable White - check your executive sales			
			48 48VDC	21.60W/m 24.00W/m 28.80W/m	D2W	Dim To Warm - check your executive sales			

RECOMMENDED LIGHT SOURCE

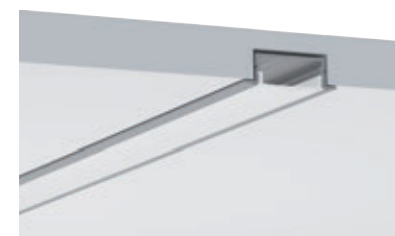
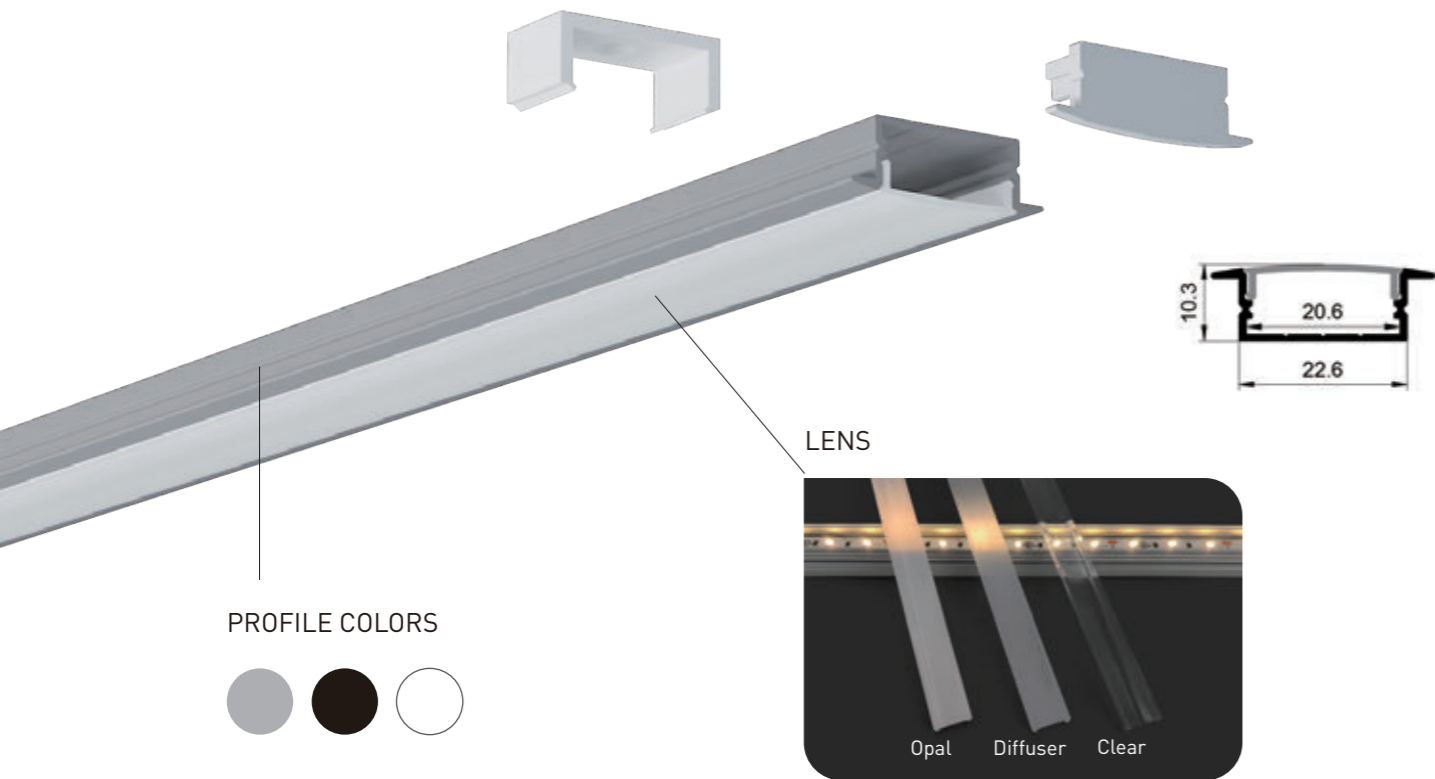
Performance	Part Code	Led Qty	Input Vol.	Power	CRI	Light Source Lumen	Diffuser Lens Lumen	Cuttable length	Max Run	Pcb Width
General	FN-2835T-120	120pcs/m	12/24VDC	14.40 W/m	90+	1512 lm/m	680lm/m	12V=25mm 24V=50mm	12V=5m 24V=9m	10 mm
					95+	1282 lm/m	577lm/m			
High Efficiency	FN-H2835T-128	128pcs/m	24VDC	11.52 W/m	90+	1613 lm/m	726lm/m	24V=62.5mm	24V=6m	10 mm
				95+	1475 lm/m	664lm/m				
	FN-H28350-160	160pcs/m	24VDC	24 W/m	90+	3480 lm/m	1739lm/m	50mm	3m	10 mm
	FN-H2835T-160	160pcs/m	24VDC	14.40 W/m	90+	1987 lm/m	894lm/m	24V=50mm	24V=5m	10 mm
			95+	1843 lm/m	829lm/m					
Long Run	FN-H28350-192	192pcs/m	24VDC	28.8 W/m	90+	4176 lm/m	2086lm/m	41.7mm	2.5m	10 mm
	LN-H2835T-80	80pcs/m	36VDC	5.18W/m	90+	580 lm/m	261lm/m	100mm	50m	10 mm
				95+	482 lm/m	217lm/m				
	LN-H2835T-112	112pcs/m	48VDC	11.52 W/m	90+	1336 lm/m	601lm/m	125mm	25m	10 mm
				95+	1106 lm/m	498lm/m				
	LN-H2835T-120	120pcs/m	24VDC	6.00 W/m	90+	588 lm/m	265lm/m	50mm	21m	10 mm
			95+	486 lm/m	219lm/m					
Short Cut	FN-F2835A-120	120pcs/m	12VDC	21.60 W/m	90+	1922 lm/m	865lm/m	16.7mm	3.5m	10 mm
					95+	1595 lm/m	718lm/m			

Remark: 1. The tested data based on silver finish in 4000K, CRI 90+ light source. 2. LN-H2835T-80 is good for long run, but it will show light spot.



TRIMED RECESSED SERIES

► SL281020



Installation: Trimmed Recessed
 Length Available: 1-3m
 Profile Color: Silver, Black Anodized, White Powder Coating
 Lens: Opal, Diffuser, Clear
 Input Cable: Endcaps, Profile Bottom, Profile Sides
 Quick Female/Male Connectors Input cable & Junction Box available

TRIMED RECESSED SERIES

► SL281020

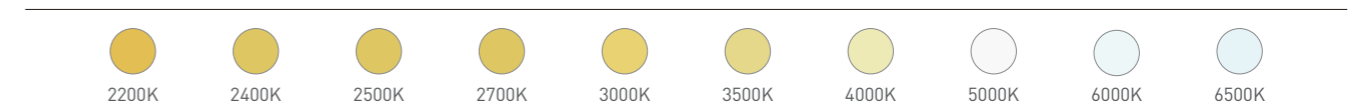
ORDERING CODE

Luminaire	Finish	Lens	Vol.	Power	CRI	Ccct	Input Cable	Connector	Wiring
SL151012	W White	D Diffuser	24 24VDC	12.96W/m 17.28W/m	90 90+	22-2200K , 24-2400K 25-2500K , 27-2700K 30-3000K , 35-3500K 40-4000K , 50-5000K 65-6500K	01 - Black&Red 22AWG	A - AMP male/female	B - Through profile back
	B Black	O Opal					02 - Black&White 22AWG	M - Molex male/female	E - Through Endcaps
	S Silver	C Clear					03 - White PU protected 2 pin	D - DC male/female	S - Through profile side
					TW	Tunable White - check your executive sales			
					D2W	Dim To Warm - check your executive sales	04 - 3Pin cable for Tunable white		

RECOMMENDED LIGHT SOURCE

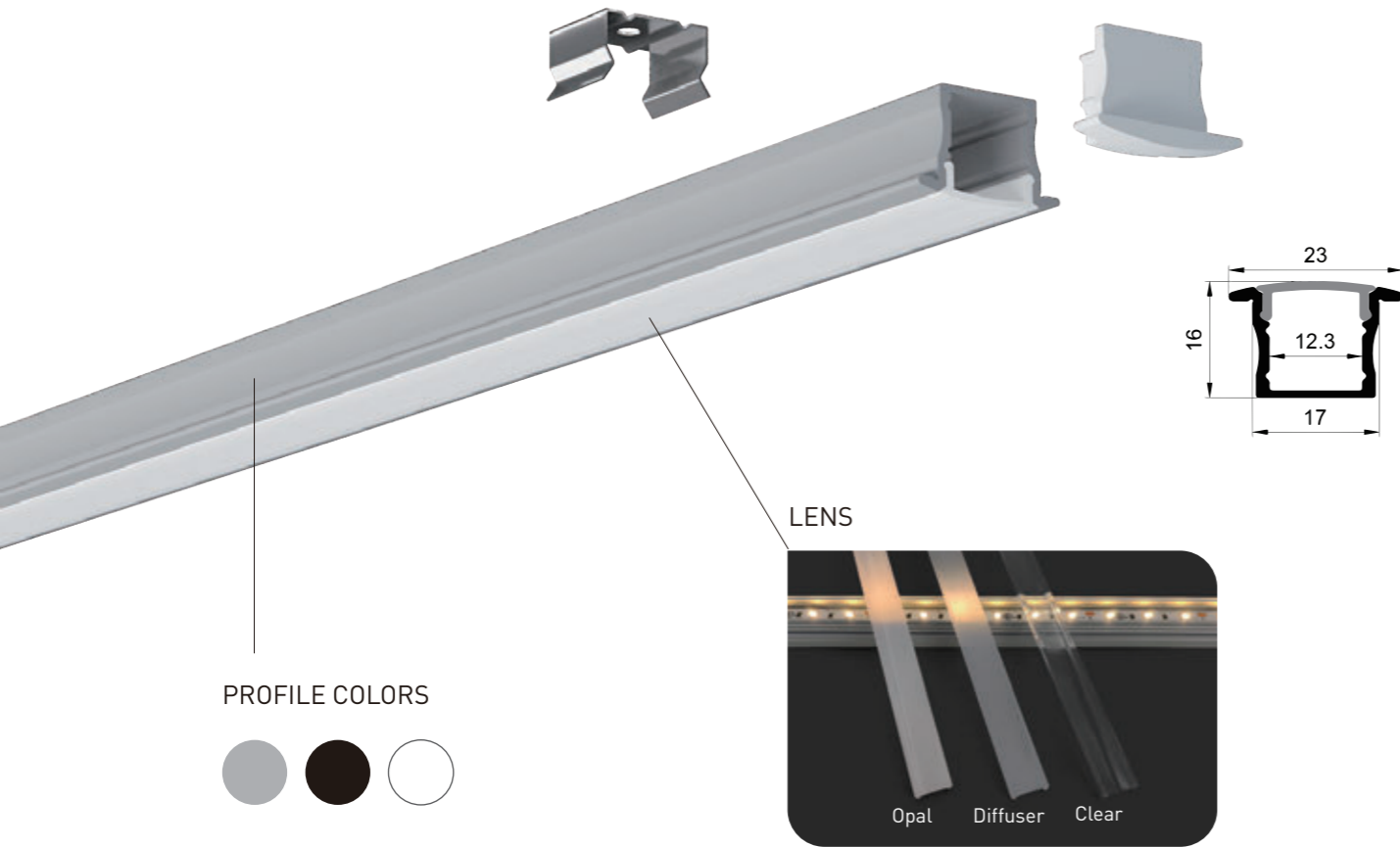
Part Code	Led Qty	Input Vol.	Power	CRI	Light Source Lumen	Diffuser Lens Lumen	Cutttable length	Max Run	Pcb Width
FN-2016-180	180pcs/m	24VDC	12.96W/m	90+	1000 lm/m	450 lm/m	33mm	3m	10mm
FN-2016-240	240pcs/m		17.28W/m	90+	1300 lm/m	585 lm/m	25mm		

Remark: The tested data based on silver finish in 4000K, CRI 90+ light source.



TRIMED RECESSED SERIES

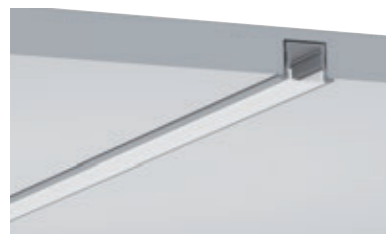
► SL2515B12



PROFILE COLORS



Opal Diffuser Clear



Installation: Trimmed Recessed

Length Available: 1-3m

Profile Color: Silver, Black Anodized, White Powder Coating

Lens: Opal, Diffuser, Clear

Input Cable: Endcaps, Profile Bottom, Profile Sides

Quick Female/Male Connectors Input cable & Junction Box available

TRIMED RECESSED SERIES

► SL2515B12

ORDERING CODE

Luminaire	Finish	LENS	Vol.	Power	CRI	CCT	Input Cable	Connector	Wiring
SL2515B12	W White	D Diffuser	12 12VDC	5.18W/m	90 90+	22-2200K , 24-2400K , 25-2500K 27-2700K , 30-3000K , 35-3500K 40-4000K , 50-5000K , 65-6500K	01 - Black&Red 22AWG 02 - Black&White 22AWG 03 - White PU protected 2 pin 04 - 3Pin cable for Tunable white	A - AMP male/female M - Molex male/female D - DC male/female	B - Through profile back E - Through Endcaps S - Through profile side
	B Black	O Opal	24 24VDC	11.52W/m	95 95+	22-2200K , 25-2500K , 27-2700K 30-3000K , 35-3500K , 40-4000K 50-5000K , 65-6500K			
	S Silver	C Clear	36 36VDC	14.40W/m	TW	Tunable White - check your executive sales			
			48 48VDC	21.60W/m 24.00W/m 28.80W/m	D2W	Dim To Warm - check your executive sales			

RECOMMENDED LIGHT SOURCE

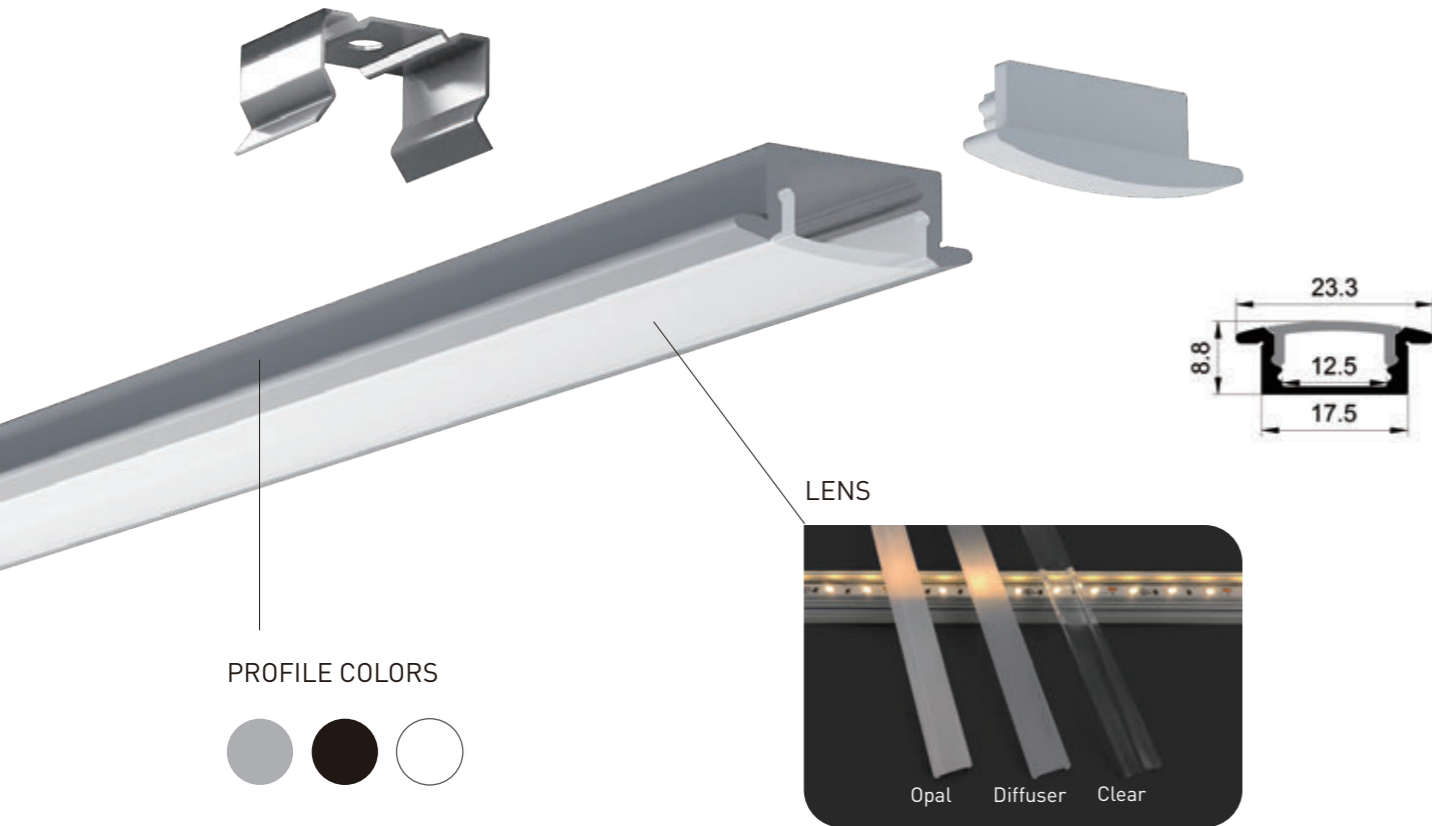
Performance	Part Code	Led Qty	Input Vol.	Power	CRI	Light Source Lumen	Diffuser Lens Lumen	Cuttable length	Max Run	Pcb Width
General	FN-2835T-120	120pcs/m	12/24VDC	14.40 W/m	90+	1512 lm/m	680lm/m	12V=25mm 24V=50mm	12V=5m 24V=9m	10 mm
					95+	1282 lm/m	577lm/m			
High Efficiency	FN-H2835T-128	128pcs/m	24VDC	11.52 W/m	90+	1613 lm/m	726lm/m	24V=62.5mm	24V=6m	10 mm
					95+	1475 lm/m	664lm/m			
	FN-H28350-160	160pcs/m	24VDC	24 W/m	90+	3480 lm/m	1739lm/m	50mm	3m	10 mm
					95+	1987 lm/m	894lm/m			
FN-H2835T-160	160pcs/m	24VDC	14.40 W/m	90+	1843 lm/m	829lm/m	24V=50mm	24V=5m	10 mm	
				95+	1843 lm/m	829lm/m				
FN-H28350-192	192pcs/m	24VDC	28.8 W/m	90+	4176 lm/m	2086lm/m	41.7mm	2.5m	10 mm	
				95+	4176 lm/m	2086lm/m				
Long Run	LN-H2835T-80	80pcs/m	36VDC	5.18W/m	90+	580 lm/m	261lm/m	100mm	50m	10 mm
					95+	482 lm/m	217lm/m			
	LN-H2835T-112	112pcs/m	48VDC	11.52 W/m	90+	1336 lm/m	601lm/m	125mm	25m	10 mm
					95+	1106 lm/m	498lm/m			
	LN-H2835T-120	120pcs/m	24VDC	6.00 W/m	90+	588 lm/m	265lm/m	50mm	21m	10 mm
					95+	486 lm/m	219lm/m			
Short Cut	FN-F2835A-120	120pcs/m	12VDC	21.60 W/m	90+	1922 lm/m	865lm/m	16.7mm	3.5m	10 mm
					95+	1595 lm/m	718lm/m			

Remark: 1. The tested data based on silver finish in 4000K, CRI 90+ light source. 2. LN-H2835T-80 is good for long run, but it will show light spot.



TRIMED RECESSED SERIES

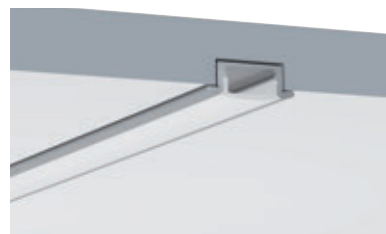
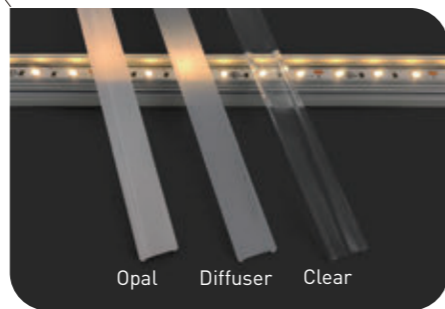
► SL2507D12



PROFILE COLORS



LENS



Installation: Trimmed Recessed
 Length Available: 1-3m
 Profile Color: Silver, Black Anodized, White Powder Coating
 Lens: Opal, Diffuser, Clear
 Input Cable: Endcaps, Profile Bottom, Profile Sides
 Quick Female/Male Connectors Input cable & Junction Box available

TRIMED RECESSED SERIES

► SL2507D12

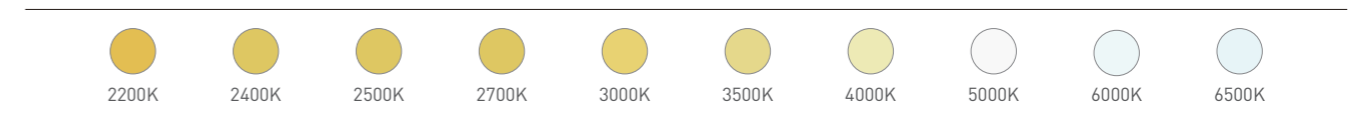
ORDERING CODE

Luminaire	Finish	Lens	Vol.	Power	CRI	CCT	Input Cable	Connector	Wiring		
SL2507D12	W White	D Diffuser	24 24VDC	12.96W/m 17.28W/m	90 90+	22-2200K , 24-2400K 25-2500K , 27-2700K 30-3000K , 35-3500K 40-4000K , 50-5000K 65-6500K	01 - Black&Red 22AWG	A - AMP male/female	B - Through profile back		
	B Black	O Opal								M - Molex male/female	E - Through Endcaps
	S Silver	C Clear								D - DC male/female	S - Through profile side
					TW	Tunable White - check your executive sales	03 - White PU protected 2 pin				
					D2W	Dim To Warm - check your executive sales	04 - 3Pin cable for Tunable white				

RECOMMENDED LIGHT SOURCE

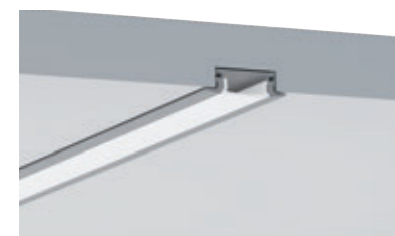
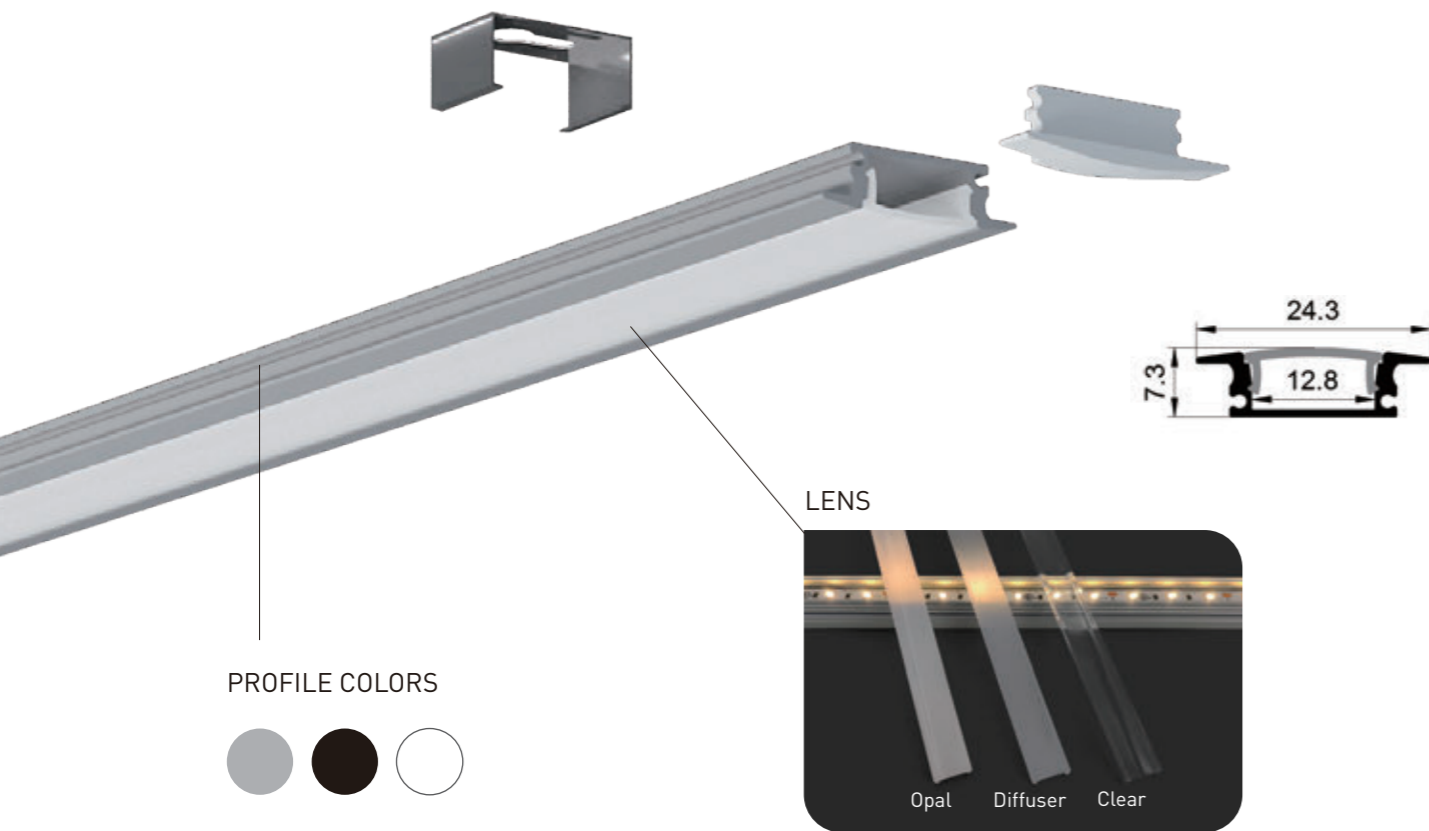
Part Code	Led Qty	Input Vol.	Power	CRI	Light Source Lumen	Diffuser Lens Lumen	Cutttable length	Max Run	Pcb Width
FN-2016-180	180pcs/m	24VDC	12.96W/m	90+	1000 lm/m	450 lm/m	33mm	3m	10mm
FN-2016-240	240pcs/m		17.28W/m	90+	1300 lm/m	585 lm/m	25mm		

Remark: The tested data based on silver finish in 4000K, CRI 90+ light source.



TRIMED RECESSED SERIES

► SL2507C12



Installation: Trimmed Recessed
 Length Available: 1-3m
 Profile Color: Silver, Black Anodized, White Powder Coating
 Lens: Opal, Diffuser, Clear
 Input Cable: Endcaps, Profile Bottom, Profile Sides
 Quick Female/Male Connectors Input cable & Junction Box available

TRIMED RECESSED SERIES

► SL2507C12

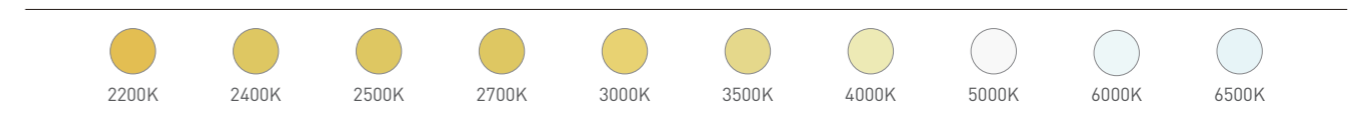
ORDERING CODE

Luminaire	Finish	Lens	Vol.	Power	CRI	CCT	Input Cable	Connector	Wiring
SL2507C12	W White	D Diffuser	24 24VDC	12.96W/m 17.28W/m	90 90+	22-2200K , 24-2400K 25-2500K , 27-2700K 30-3000K , 35-3500K 40-4000K , 50-5000K 65-6500K	01 - Black&Red 22AWG 02 - Black&White 22AWG 03 - White PU protected 2 pin 04 - 3Pin cable for Tunable white	A - AMP male/female M - Molex male/female D - DC male/female	B - Through profile back E - Through Endcaps S - Through profile side
	B Black	O Opal							
	S Silver	C Clear							
	TW	Tunable White - check your executive sales							
					D2W	Dim To Warm - check your executive sales			

RECOMMENDED LIGHT SOURCE

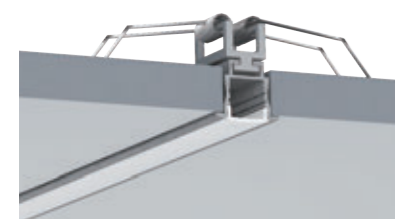
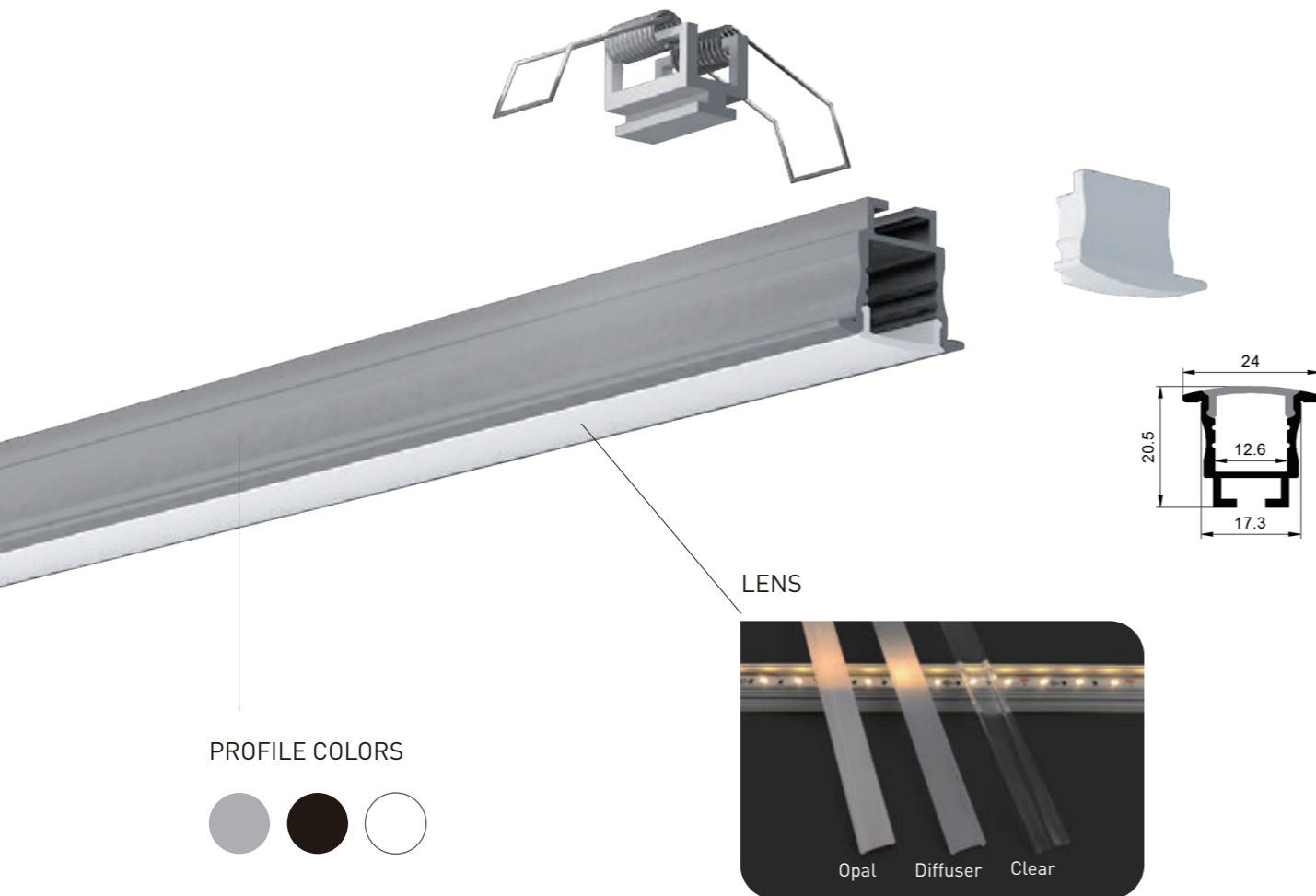
Part Code	Led Qty	Input Vol.	Power	CRI	Light Source Lumen	Diffuser Lens Lumen	Cutttable length	Max Run	Pcb Width
FN-2016-180	180pcs/m	24VDC	12.96W/m	90+	1000 lm/m	450 lm/m	33mm	3m	10mm
FN-2016-240	240pcs/m		17.28W/m	90+	1300 lm/m	585 lm/m	25mm		

Remark: The tested data based on silver finish in 4000K, CRI 90+ light source.



TRIMED RECESSED SERIES

► SL252012



Installation: Trimmed Recessed
 Length Available: 1-3m
 Profile Color: Silver, Black Anodized, White Powder Coating
 Lens: Opal, Diffuser, Clear
 Input Cable: Endcaps, Profile Bottom, Profile Sides
 Quick Female/Male Connectors Input cable & Junction Box available

TRIMED RECESSED SERIES

► SL252012

ORDERING CODE

Luminaire	Finish	Lens	Vol.	Power	CRI	CRI	Input Cable	Connector	Wiring
SL252012	W White	D Diffuser	12 12VDC	14.40W/m	90	22-2200K , 24-2400K , 25-2500K 27-2700K , 30-3000K , 35-3500K 40-4000K , 50-5000K , 65-6500K	01 - Black&Red 22AWG 02 - Black&White 22AWG 03 - White PU protected 2 pin 04 - 3Pin cable for Tunable white	A - AMP male/female M - Molex male/female D - DC male/female	B - Through profile back E - Through Endcaps S - Through profile side
	B Black	O Opal	24 24VDC	11.52W/m	95				
	S Silver	C Clear	36 36VDC	24.00W/m	95+				
			48 48VDC	28.80W/m	TW				
			5.18W/m	6.00W/m		Tunable White - check your executive sales			
			21.60W/m		D2W	Dim To Warm - check your executive sales			

RECOMMENDED LIGHT SOURCE

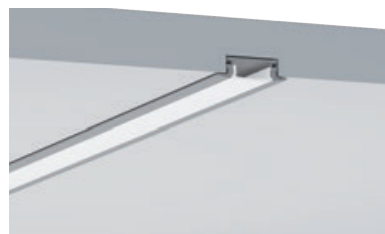
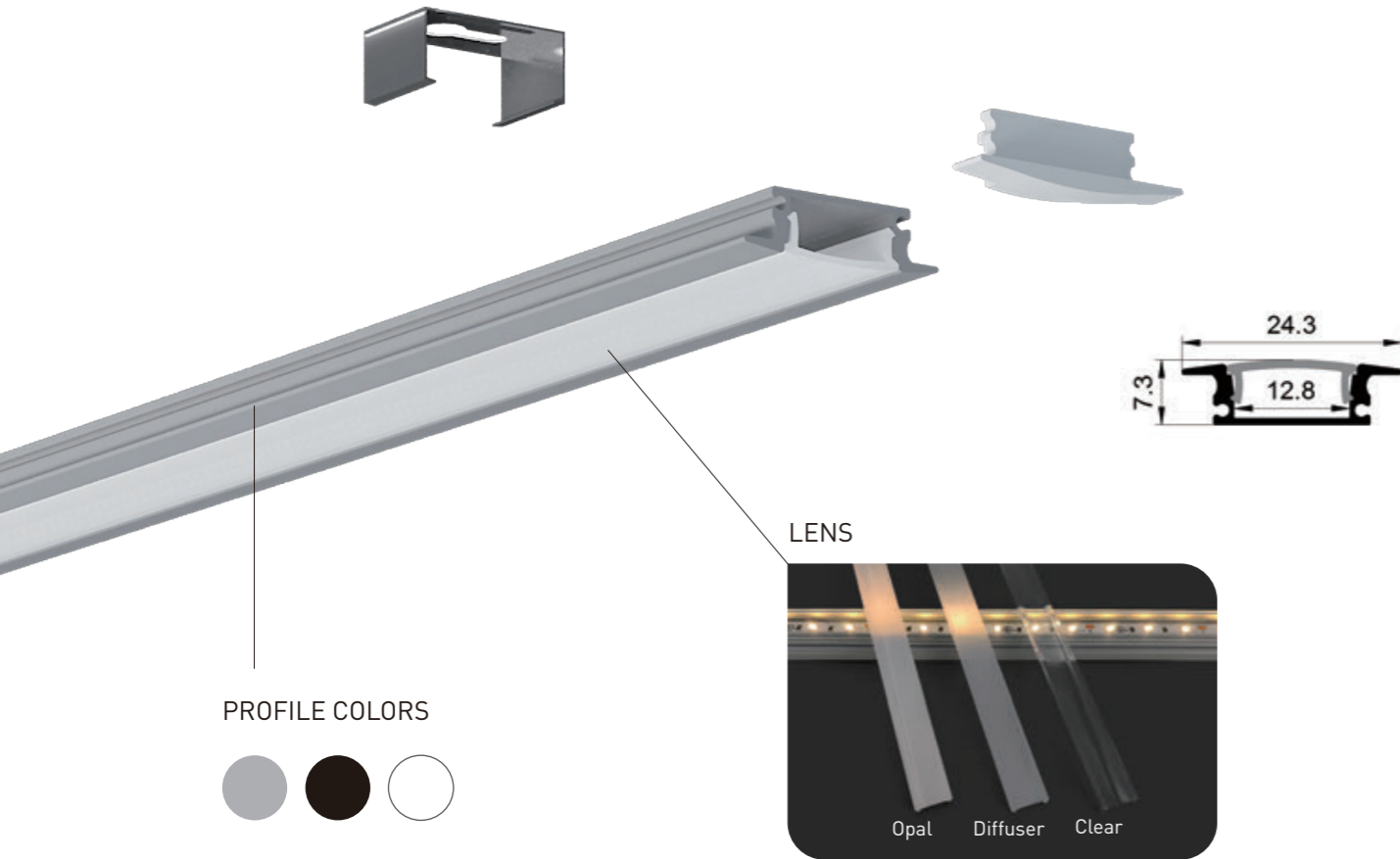
Performance	Part Code	Led Qty	Input Vol.	Power	CRI	Light Source Lumen	Diffuser Lens Lumen	Cuttable length	Max Run	Pcb Width
General	FN-2835T-120	120pcs/m	12/24VDC	14.40 W/m	90+	1512 lm/m	680lm/m	12V=25mm 24V=50mm	12V=5m 24V=9m	10 mm
					95+	1282 lm/m	577lm/m			
High Efficiency	FN-H2835T-128	128pcs/m	12/24VDC	11.52 W/m	90+	1613 lm/m	726lm/m	24V=62.5mm	24V=6m	10 mm
					95+	1475 lm/m	664lm/m			
	FN-H28350-160	160pcs/m	24VDC	24 W/m	90+	3480 lm/m	1739lm/m	50mm	3m	10 mm
					95+	1987 lm/m	894lm/m			
Long Run	FN-H2835T-160	160pcs/m	12/24VDC	14.40 W/m	90+	1843 lm/m	829lm/m	24V=50mm	24V=5mm	10 mm
					95+	1843 lm/m	829lm/m			
	FN-H28350-192	192pcs/m	24VDC	28.8 W/m	90+	4176 lm/m	2086lm/m	41.7mm	2.5m	10 mm
					95+	4176 lm/m	2086lm/m			
Short Cut	LN-H2835T-80	80pcs/m	36VDC	5.18W/m	90+	580 lm/m	261lm/m	100mm	50mm	10 mm
					95+	482 lm/m	217lm/m			
	LN-H2835T-112	112pcs/m	48VDC	11.52 W/m	90+	1336 lm/m	601lm/m	125mm	25mm	10 mm
					95+	1106 lm/m	498lm/m			
	LN-H2835T-120	120pcs/m	24VDC	6.00 W/m	90+	588 lm/m	265lm/m	50mm	21mm	10 mm
					95+	486 lm/m	219lm/m			
FN-F2835A-120	120pcs/m	24VDC	21.60 W/m	90+	1922 lm/m	865lm/m	16.7mm	3.5mm	10 mm	
				95+	1595 lm/m	718lm/m				

Remark: 1. The tested data based on silver finish in 4000K, CRI 90+ light source. 2. LN-H2835T-80 is good for long run, but it will show light spot.



TRIMED RECESSED SERIES

► SL250712



Installation: Trimmed Recessed
 Length Available: 1-3m
 Profile Color: Silver, Black Anodized, White Powder Coating
 Lens: Opal, Diffuser, Clear
 Input Cable: Endcaps, Profile Bottom, Profile Sides
 Quick Female/Male Connectors Input cable & Junction Box available

TRIMED RECESSED SERIES

► SL250712

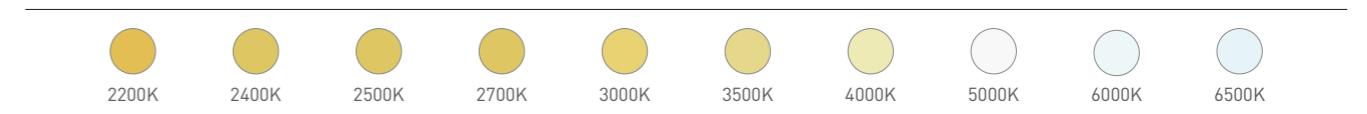
ORDERING CODE

Luminaire	Finish	LENS	Vol.	Power	CRI	CRI	Input Cable	Connector	Wiring
SL250712	W White	D Diffuser	24 24VDC	12.96W/m 17.28W/m	90 90+	22-2200K , 24-2400K 25-2500K , 27-2700K 30-3000K , 35-3500K 40-4000K , 50-5000K 65-6500K	01 - Black&Red 22AWG	A - AMP male/female	B - Through profile back
	B Black	O Opal					02 - Black&White 22AWG	M - Molex male/female	E - Through Endcaps
	S Silver	C Clear				TW Tunable White - check your executive sales	03 - White PU protected 2 pin	D - DC male/female	S - Through profile side
						D2W Dim To Warm - check your executive sales	04 - 3Pin cable for Tunable white		

RECOMMENDED LIGHT SOURCE

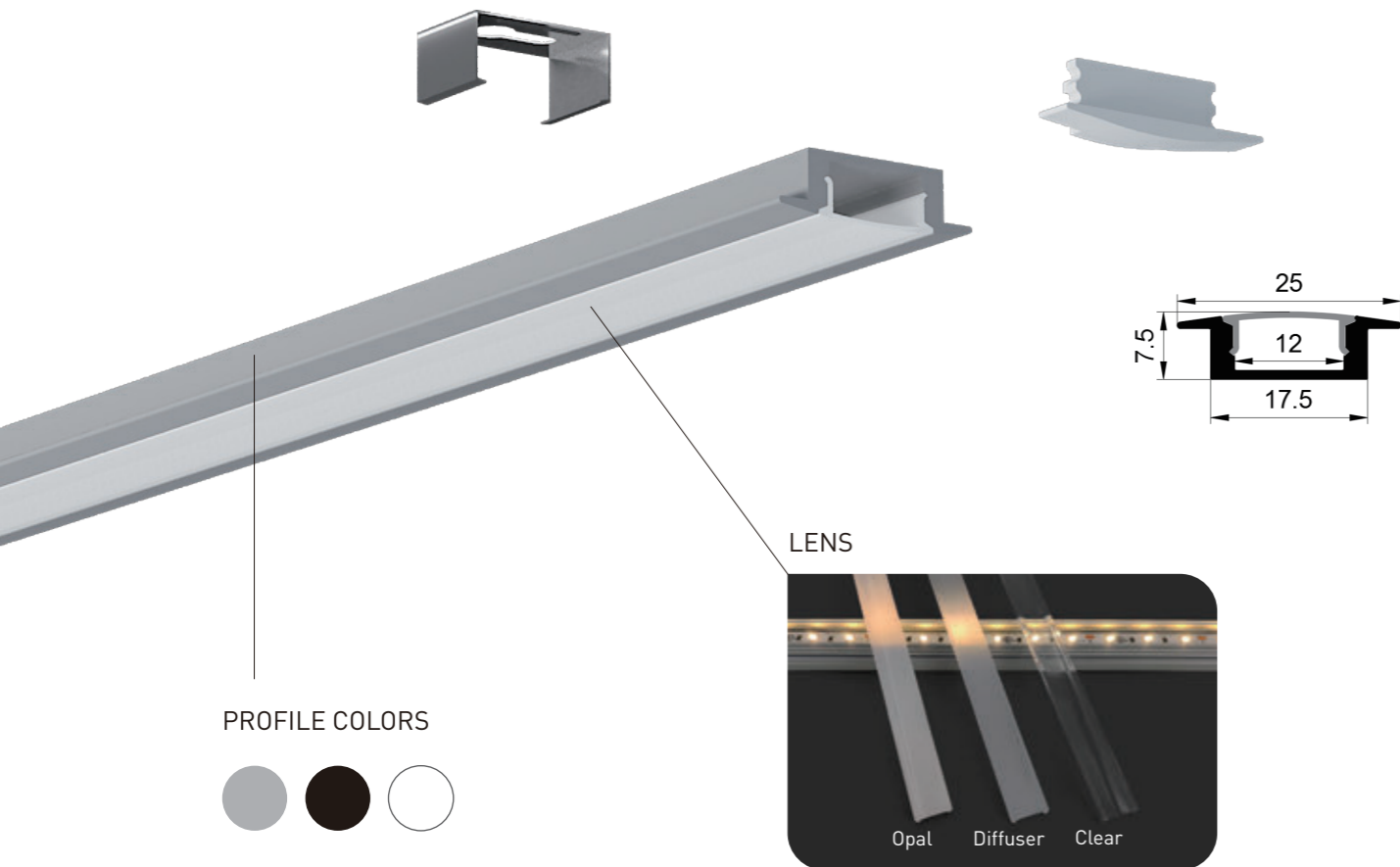
Part Code	Led Qty	Input Vol.	Power	CRI	Light Source Lumen	Diffuser Lens Lumen	Cutttable length	Max Run	Pcb Width
FN-2016-180	180pcs/m	24VDC	12.96W/m	90+	1000 lm/m	450 lm/m	33mm	3M	10mm
FN-2016-240	240pcs/m		17.28W/m	90+	1300 lm/m	585 lm/m	25mm		

Remark: The tested data based on silver finish in 4000K, CRI 90+ light source.



TRIMED RECESSED SERIES

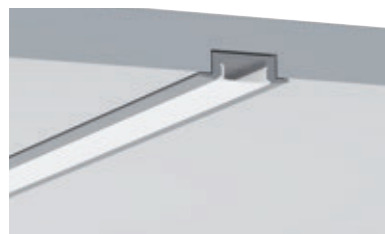
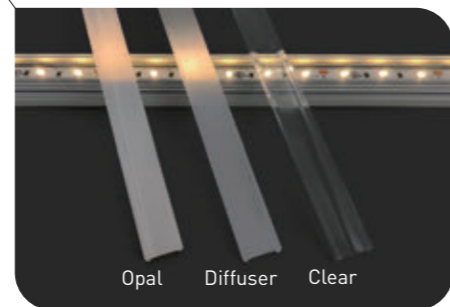
► SL2507B12



PROFILE COLORS



LENS



Installation: Trimmed Recessed
 Length Available: 1-3m
 Profile Color: Silver, Black Anodized, White Powder Coating
 Lens: Opal, Diffuser, Clear
 Input Cable: Endcaps, Profile Bottom, Profile Sides
 Quick Female/Male Connectors Input cable & Junction Box available

TRIMED RECESSED SERIES

► SL2507B12

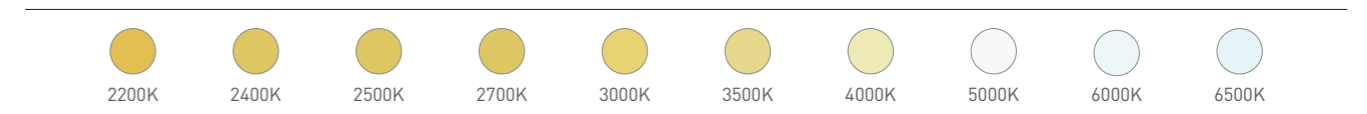
ORDERING CODE

Luminaire	Finish	LENS	Vol.	Power	CRI	CRI	Input Cable	Connector	Wiring
SL2507B12	W White	D Diffuser	24 24VDC	12.96W/m 17.28W /m	90 90+	22-2200K , 24-2400K 25-2500K , 27-2700K 30-3000K , 35-3500K 40-4000K , 50-5000K 65-6500K	01 - Black&Red 22AWG	A - AMP male/female	B - Through profile back
	B Black	O Opal					02 - Black&White 22AWG	M - Molex male/female	E - Through Endcaps
	S Silver	C Clear				TW Tunable White - check your executive sales	03 - White PU protected 2 pin	D - DC male/female	S - Through profile side
						D2W Dim To Warm - check your executive sales	04 - 3Pin cable for Tunable white		

RECOMMENDED LIGHT SOURCE

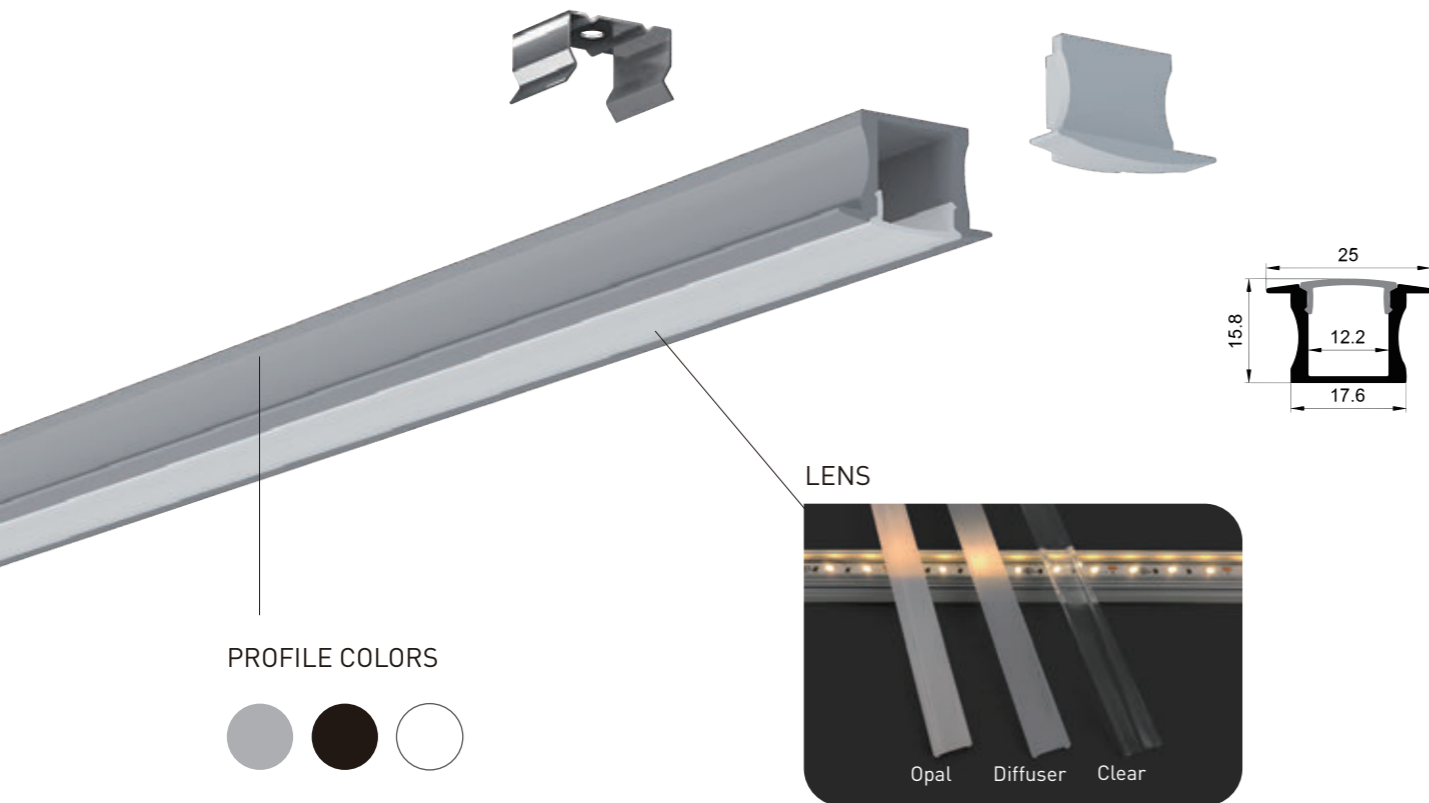
Part Code	Led Qty	Input Vol.	Power	CRI	Light Source Lumen	Diffuser Lens Lumen	Cutttable length	Max Run	Pcb Width
FN-2016-180	180pcs/m	24VDC	12.96W/m	90+	1000 lm/m	450 lm/m	33mm	3m	10mm
FN-2016-240	240pcs/m		17.28W/m	90+	1300 lm/m	585 lm/m	25mm		

Remark: The tested data based on siliver finish in 4000K, CRI 90+ light source.



TRIMED RECESSED SERIES

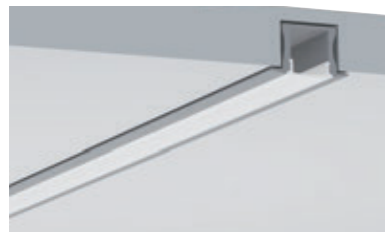
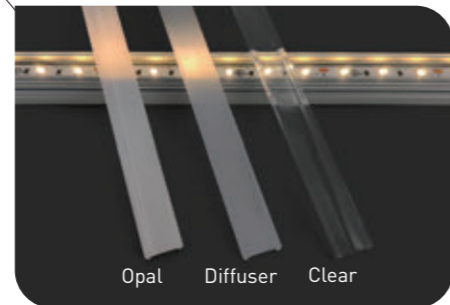
► SL251512



PROFILE COLORS



LENS



Installation: Trimmed Recessed
 Length Available: 1-3m
 Profile Color: Silver, Black Anodized, White Powder Coating
 Lens: Opal, Diffuser, Clear
 Input Cable: Endcaps, Profile Bottom, Profile Sides
 Quick Female/Male Connectors Input cable & Junction Box available

TRIMED RECESSED SERIES

► SL251512

ORDERING CODE

Luminaire	Finish	Lens	Vol.	Power	CRI	CRI	Input Cable	Connector	Wiring
SL251512	W White	D Diffuser	12 12VDC	14.40W/m	90	22-2200K , 24-2400K , 25-2500K 27-2700K , 30-3000K , 35-3500K 40-4000K , 50-5000K , 65-6500K	01 - Black&Red 22AWG	A - AMP male/female	B - Through profile back
	B Black	O Opal	24 24VDC	11.52W/m	95				
	S Silver	C Clear	36 36VDC	24.00W/m	95+	22-2200K , 25-2500K , 27-2700K 30-3000K , 35-3500K , 40-4000K 50-5000K , 65-6500K	02 - Black&White 22AWG	M - Molex male/female	E - Through Endcaps
			48 48VDC	28.80W/m	TW	Tunable White - check your executive sales	03 - White PU protected 2 pin		S - Through profile side
			6.00W/m	D2W	Dim To Warm - check your executive sales	04 - 3Pin cable for Tunable white			
			21.60W/m						

RECOMMENDED LIGHT SOURCE

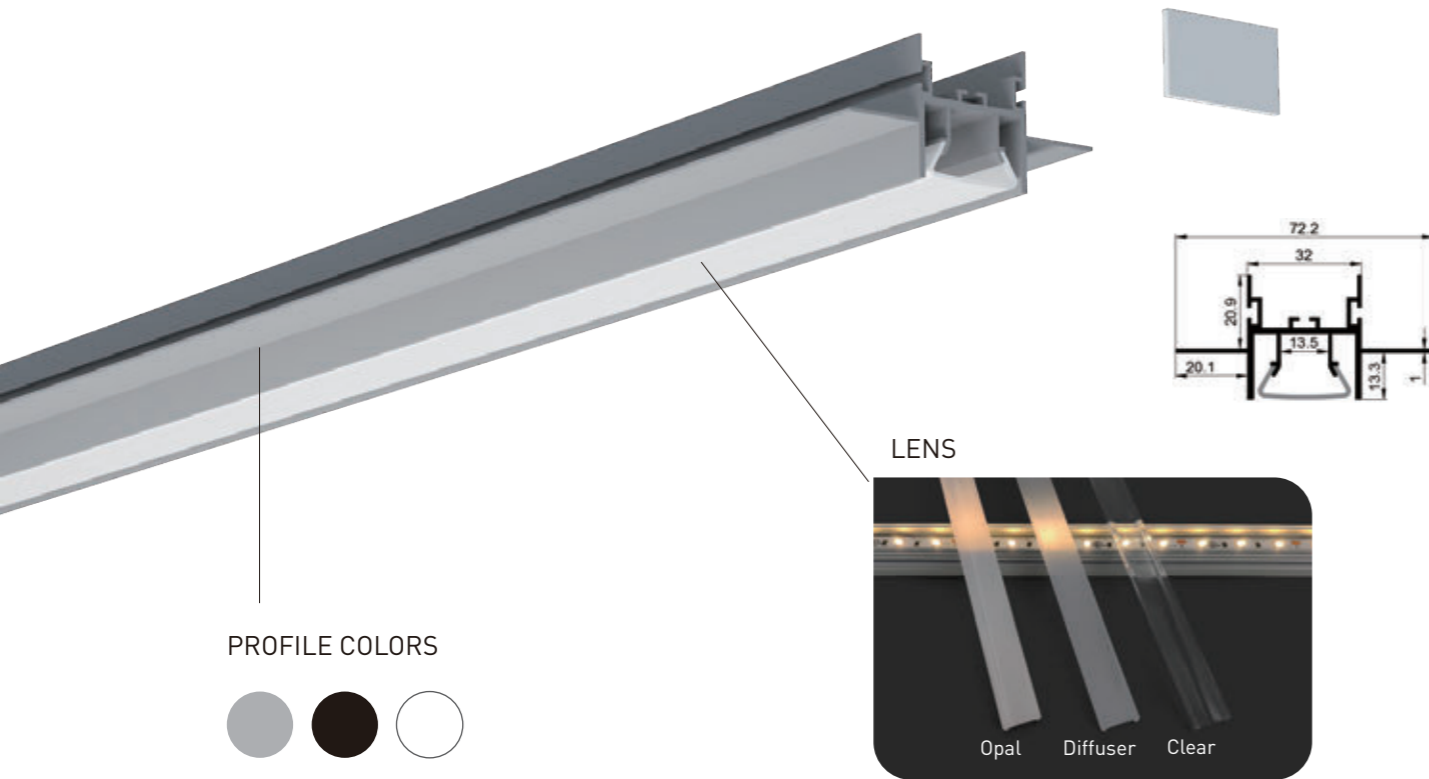
Performance	Part Code	Led Qty	Input Vol.	Power	CRI	Light Source Lumen	Diffuser Lens Lumen	Cuttable length	Max Run	Pcb Width
General	FN-2835T-120	120pcs/m	12/24VDC	14.40 W/m	90+	1512 lm/m	680lm/m	12V=25mm 24V=50mm	12V=5m 24V=9m	10 mm
					95+	1282 lm/m	577lm/m			
High Efficiency	FN-H2835T-128	128pcs/m	12/24VDC	11.52 W/m	90+	1613 lm/m	726lm/m	24V=62.5mm	24V=6m	10 mm
					95+	1475 lm/m	664lm/m			
	FN-H28350-160	160pcs/m	24VDC	24 W/m	90+	3480 lm/m	1739lm/m	50mm	3m	10 mm
					95+	1987 lm/m	894lm/m			
Long Run	FN-H2835T-160	160pcs/m	12/24VDC	14.40 W/m	90+	1843 lm/m	829lm/m	24V=50mm	24V=5mm	10 mm
					95+	1843 lm/m	829lm/m			
	FN-H28350-192	192pcs/m	24VDC	28.8 W/m	90+	4176 lm/m	2086lm/m	41.7mm	2.5m	10 mm
					95+	4176 lm/m	2086lm/m			
Short Cut	LN-H2835T-80	80pcs/m	36VDC	5.18W/m	90+	580 lm/m	261lm/m	100mm	50mm	10 mm
					95+	482 lm/m	217lm/m			
	LN-H2835T-112	112pcs/m	48VDC	11.52 W/m	90+	1336 lm/m	601lm/m	125mm	25mm	10 mm
					95+	1106 lm/m	498lm/m			
	LN-H2835T-120	120pcs/m	24VDC	6.00 W/m	90+	588 lm/m	265lm/m	50mm	21mm	10 mm
					95+	486 lm/m	219lm/m			
FN-F2835A-120	120pcs/m	24VDC	21.60 W/m	90+	1922 lm/m	865lm/m	16.7mm	3.5mm	10 mm	
				95+	1595 lm/m	718lm/m				

Remark: 1. The tested data based on silver finish in 4000K, CRI 90+ light source. 2. LN-H2835T-80 is good for long run, but it will show light spot.



TRIMED RECESSED SERIES

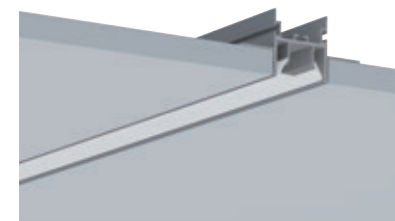
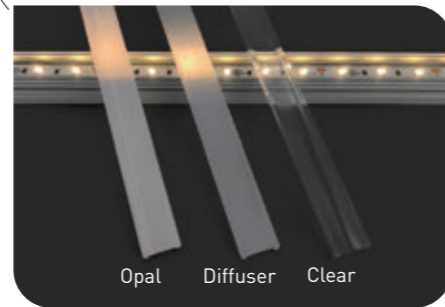
► SL723513



PROFILE COLORS



LENS



Installation: Trimmed Recessed
 Length Available: 1-3m
 Profile Color: Silver, Black Anodized, White Powder Coating
 Lens: Opal, Diffuser, Clear
 Input Cable: Endcaps, Profile Bottom, Profile Sides
 Quick Female/Male Connectors Input cable & Junction Box available

TRIMED RECESSED SERIES

► SL723513

ORDERING CODE

Luminaire	Finish	LENS	Vol.	Power	CRI	CRI	Input Cable	Connector	Wiring
SL723513	W White	D Diffuser	12 12VDC	14.40W/m 11.52W/m	90 90+	22-2200K , 24-2400K , 25-2500K 27-2700K , 30-3000K , 35-3500K 40-4000K , 50-5000K , 65-6500K	01 - Black&Red 22AWG	A - AMP male/female	B - Through profile back
	B Black	O Opal	24 24VDC	24.00W/m	95 95+	22-2200K , 25-2500K , 27-2700K 30-3000K , 35-3500K , 40-4000K 50-5000K , 65-6500K	02 - Black&White 22AWG	M - Molex male/female	E - Through Endcaps
	S Silver	C Clear	36 36VDC	28.80W/m	TW	Tunable White - check your executive sales	03 - White PU protected 2 pin	D - DC male/female	S - Through profile side
			48 48VDC	5.18W/m 6.00W/m 21.60W/m	D2W	Dim To Warm - check your executive sales	04 - 3Pin cable for Tunable white		

RECOMMENDED LIGHT SOURCE

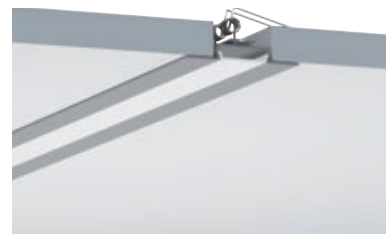
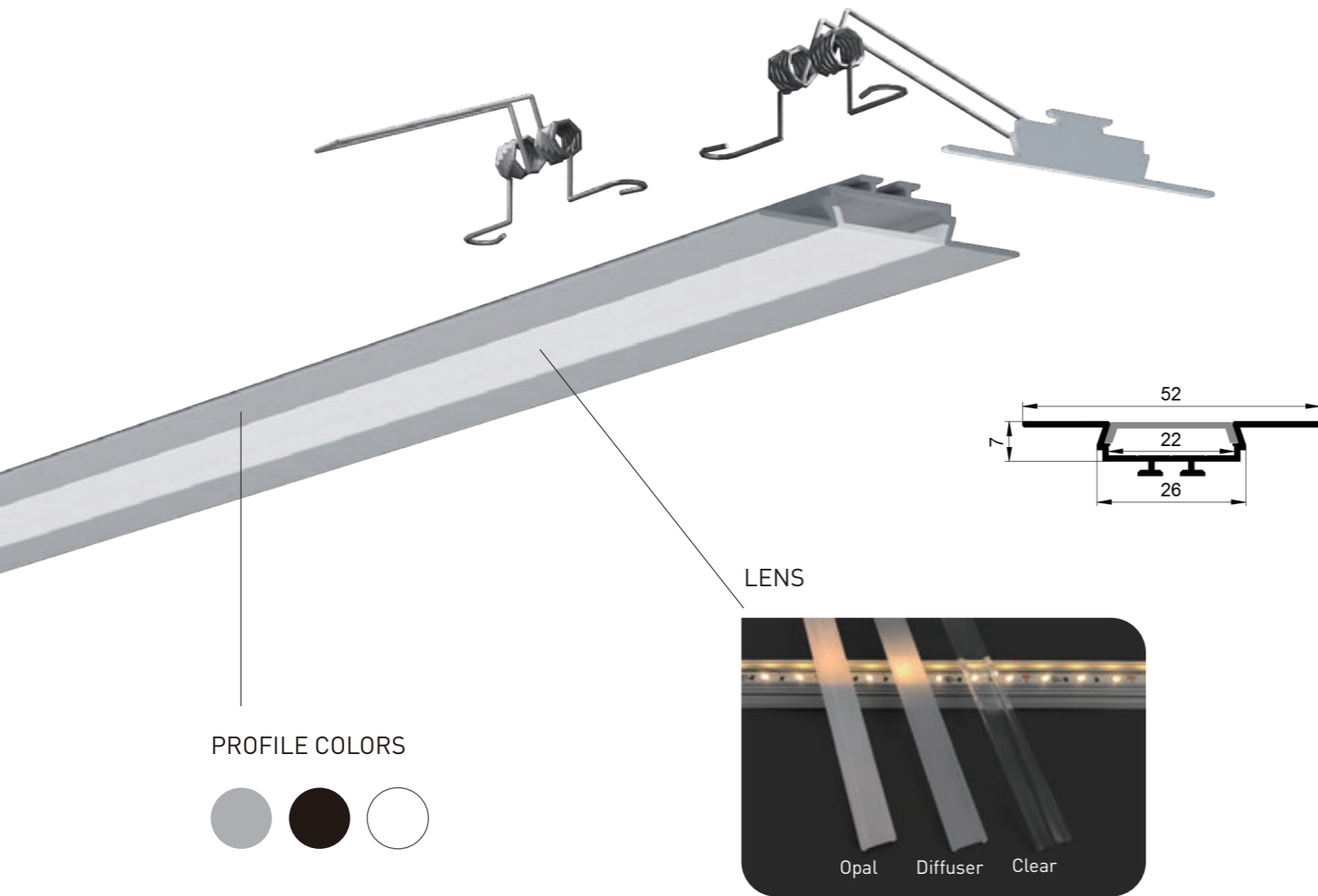
Performance	Part Code	Led Qty	Input Vol.	Power	CRI	Light Source Lumen	Diffuser Lens Lumen	Cuttable length	Max Run	Pcb Width
General	FN-2835T-120	120pcs/m	12/24VDC	14.40 W/m	90+	1512 lm/m	680lm/m	12V=25mm 24V=50mm	12V=5m 24V=9m	10 mm
					95+	1282 lm/m	577lm/m			
High Efficiency	FN-H2835T-128	128pcs/m	12/24VDC	11.52 W/m	90+	1613 lm/m	726lm/m	24V=62.5mm	24V=6m	10 mm
				95+	1475 lm/m	664lm/m				
	FN-H28350-160	160pcs/m	24VDC	24 W/m	90+	3480 lm/m	1739lm/m	50mm	3m	10 mm
	FN-H2835T-160	160pcs/m	12/24VDC	14.40 W/m	90+	1987 lm/m	894lm/m	24V=50mm	24V=5mm	10 mm
			95+	1843 lm/m	829lm/m					
Long Run	FN-H28350-192	192pcs/m	24VDC	28.8 W/m	90+	4176 lm/m	2086lm/m	41.7mm	2.5m	10 mm
	LN-H2835T-80	80pcs/m	36VDC	5.18W/m	90+	580 lm/m	261lm/m	100mm	50mm	10 mm
				95+	482 lm/m	217lm/m				
	LN-H2835T-112	112pcs/m	48VDC	11.52 W/m	90+	1336 lm/m	601lm/m	125mm	25mm	10 mm
				95+	1106 lm/m	498lm/m				
	LN-H2835T-120	120pcs/m	24VDC	6.00 W/m	90+	588 lm/m	265lm/m	50mm	21mm	10 mm
			95+	486 lm/m	219lm/m					
Short Cut	FN-F2835A-120	120pcs/m	24VDC	21.60 W/m	90+	1922 lm/m	865lm/m	16.7mm	3.5mm	10 mm
					95+	1595 lm/m	718lm/m			

Remark: 1. The tested data based on silver finish in 4000K, CRI 90+ light source. 2. LN-H2835T-80 is good for long run, but it will show light spot.



TRIMED RECESSED SERIES

► SL521022



Installation: Trimmed Recessed
 Length Available: 1-3m
 Profile Color: Silver, Black Anodized, White Powder Coating
 Lens: Opal, Diffuser, Clear
 Input Cable: Endcaps, Profile Bottom, Profile Sides
 Quick Female/Male Connectors Input cable & Junction Box available

TRIMED RECESSED SERIES

► SL521022

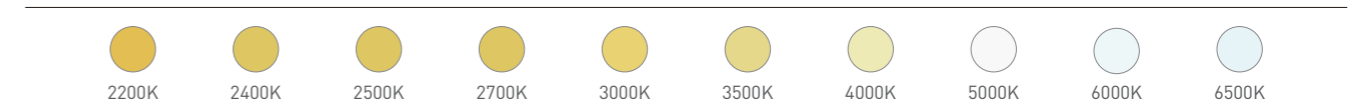
ORDERING CODE

Luminaire	Finish	Lens	Vol.	Power	CRI	CCT	Input Cable	Connector	Wiring
SL521022	W White	D Diffuser	24 24VDC	16.42W/m	90 90+	22-2200K , 24-2400K 25-2500K , 27-2700K 30-3000K , 35-3500K 40-4000K , 50-5000K 65-6500K	01 - Black&Red 22AWG	A - AMP male/female	B - Through profile back
	B Black	O Opal					02 - Black&White 22AWG	M - Molex male/female	E - Through Endcaps
	S Silver	C Clear					03 - White PU protected 2 pin	D - DC male/female	S - Through profile side
					TW	Tunable White - check your executive sales	04 - 3Pin cable for Tunable white		
					D2W	Dim To Warm - check your executive sales			

RECOMMENDED LIGHT SOURCE

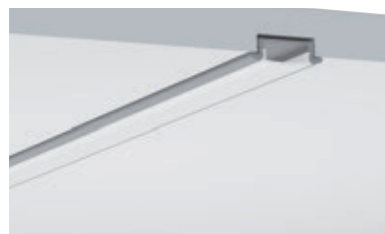
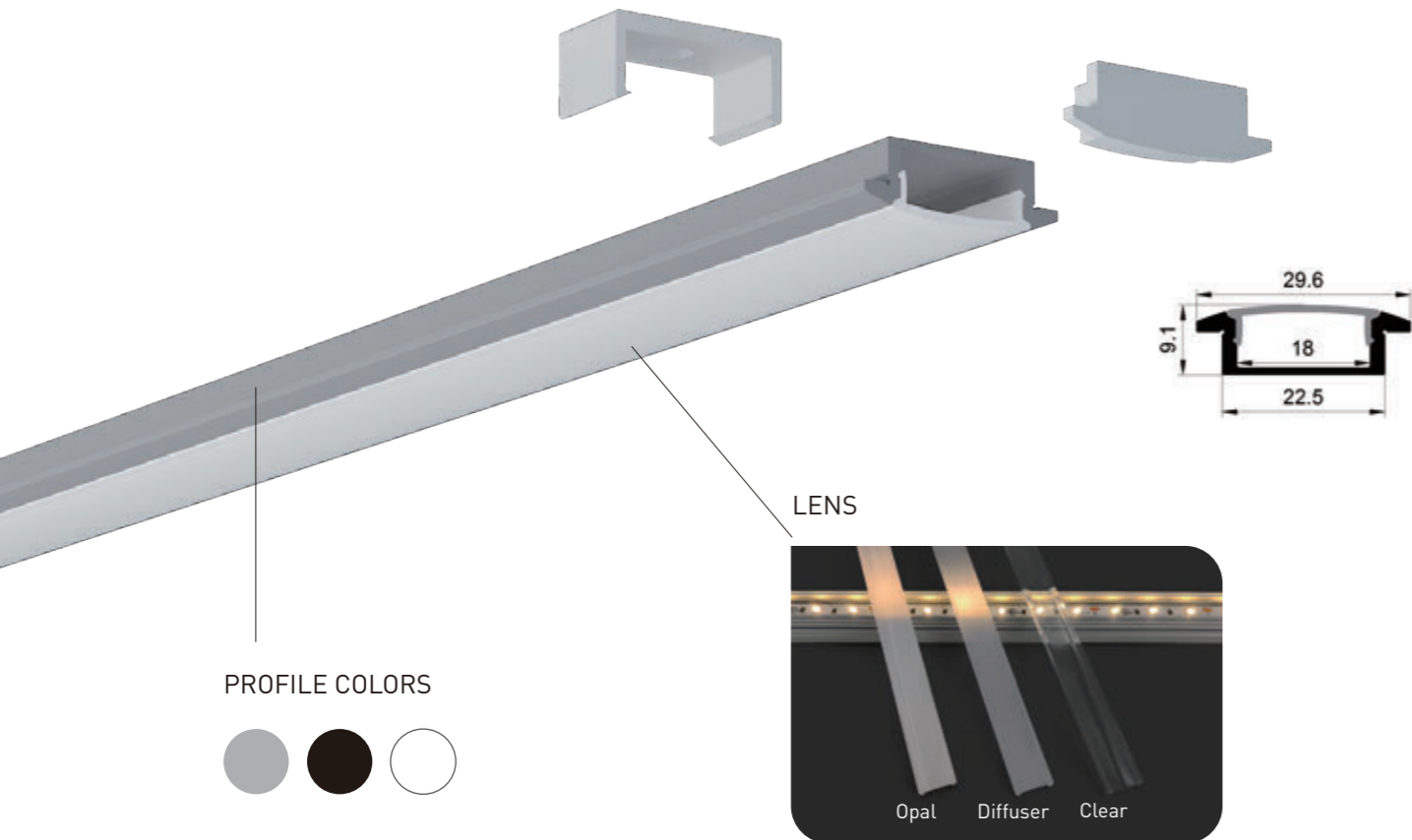
Performance	Part Code	Led Qty	Input Vol.	Power	CRI	Light Source Lumen	Diffuser Lens Lumen	Cutttable length	Max Run	Pcb Width
General	FN-2016-266	266pcs/m	24VDC	16.42W/m	90+	1700 lm/m	986 lm/m	26.3mm	3m	10mm

Remark: The tested data based on silver finish in 4000K, CRI 90+ light source.



TRIMED RECESSED SERIES

► SL290818



Installation: Trimmed Recessed
 Length Available: 1-3m
 Profile Color: Silver, Black Anodized, White Powder Coating
 Lens: Opal, Diffuser, Clear
 Input Cable: Endcaps, Profile Bottom, Profile Sides
 Quick Female/Male Connectors Input cable & Junction Box available

TRIMED RECESSED SERIES

► SL290818

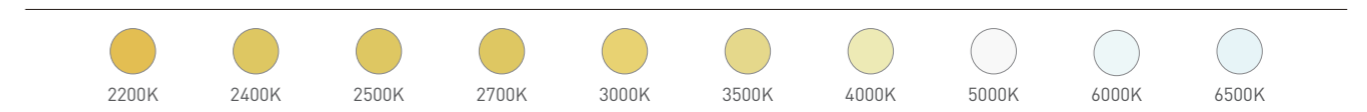
ORDERING CODE

Luminaire	Finish	Lens	Vol.	Power	CRI	CCT	Input Cable	Connector	Wiring		
SL290818	W White	D Diffuser	24 24VDC	12.96W/m 17.28W/m	90 90+	22-2200K , 24-2400K 25-2500K , 27-2700K 30-3000K , 35-3500K 40-4000K , 50-5000K 65-6500K	01 - Black&Red 22AWG	A - AMP male/female	B - Through profile back		
	B Black	O Opal								M - Molex male/female	E - Through Endcaps
	S Silver	C Clear									
			TW	Tunable White - check your executive sales	03 - White PU protected 2 pin						
					D2W	Dim To Warm - check your executive sales	04 - 3Pin cable for Tunable white				

RECOMMENDED LIGHT SOURCE

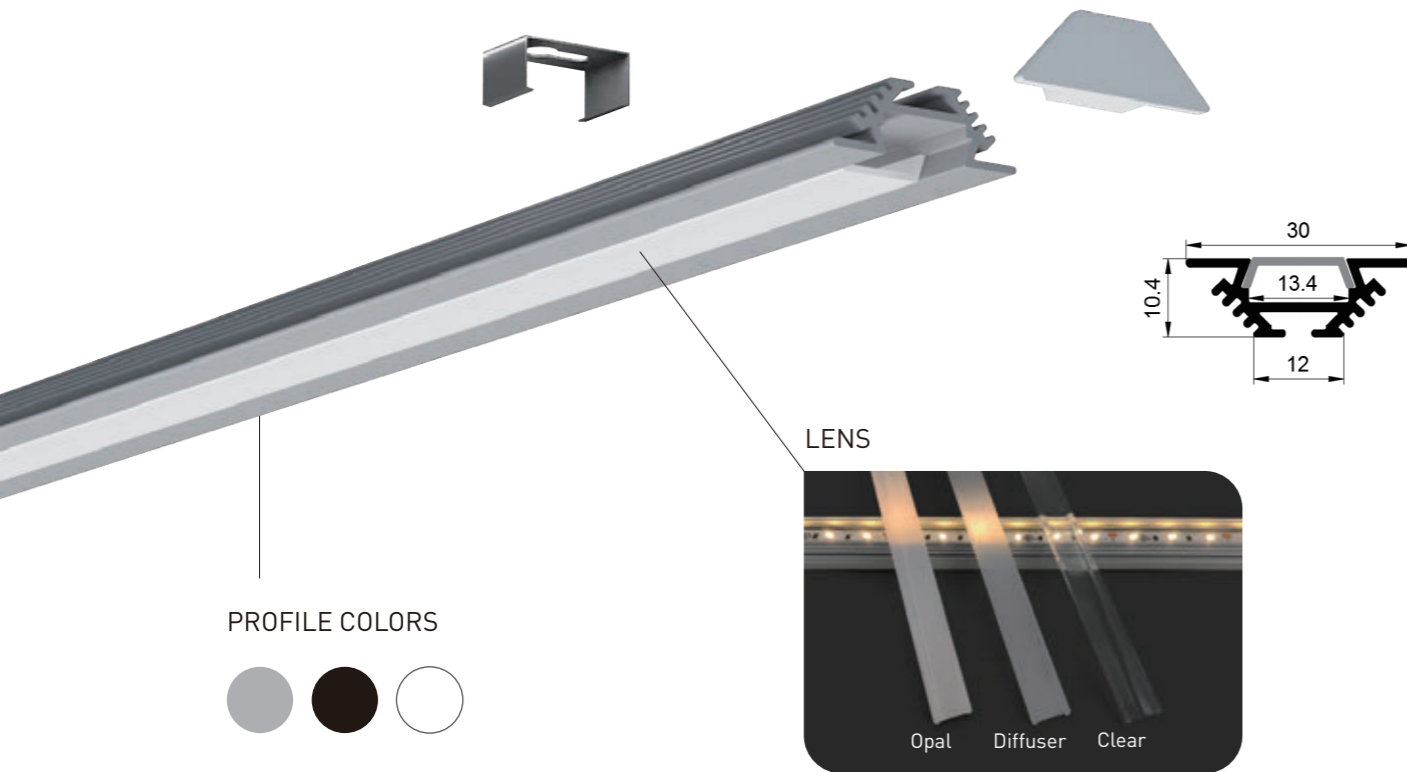
Part Code	Led Qty	Input Vol.	Power	CRI	Light Source Lumen	Diffuser Lens Lumen	Cutttable length	Max Run	Pcb Width
FN-2016-180	180pcs/m	24VDC	12.96W/m	90+	1000 lm/m	450 lm/m	33mm	3m	10mm
FN-2016-240	240pcs/m		17.28W/m	90+	1300 lm/m	585 lm/m	25mm		

Remark: The tested data based on silver finish in 4000K, CRI 90+ light source.



TRIMED RECESSED SERIES

► SL301013



Installation: Trimmed Recessed
 Length Available: 1-3m
 Profile Color: Silver, Black Anodized, White Powder Coating
 Lens: Opal, Diffuser, Clear
 Input Cable: Endcaps, Profile Bottom, Profile Sides
 Quick Female/Male Connectors Input cable & Junction Box available

TRIMED RECESSED SERIES

► SL301013

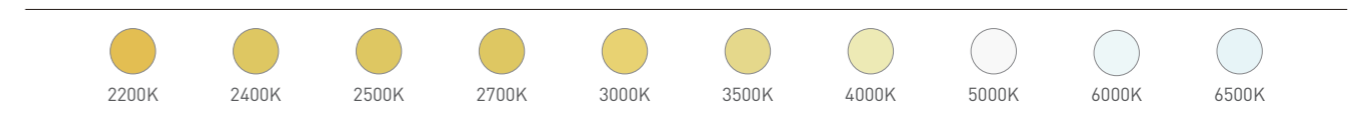
ORDERING CODE

Luminaire	Finish	Lens	Vol.	Power	CRI	CCT	Input Cable	Connector	Wiring
SL301013	W White	D Diffuser	24 24VDC	16.42W/m	90 90+	22-2200K , 24-2400K 25-2500K , 27-2700K 30-3000K , 35-3500K 40-4000K , 50-5000K 65-6500K	01 - Black&Red 22AWG	A - AMP male/female	B - Through profile back
	B Black	O Opal					02 - Black&White 22AWG	M - Molex male/female	E - Through Endcaps
	S Silver	C Clear					03 - White PU protected 2 pin	D - DC male/female	S - Through profile side
					TW	Tunable White - check your executive sales			
					D2W	Dim To Warm - check your executive sales	04 - 3Pin cable for Tunable white		

RECOMMENDED LIGHT SOURCE

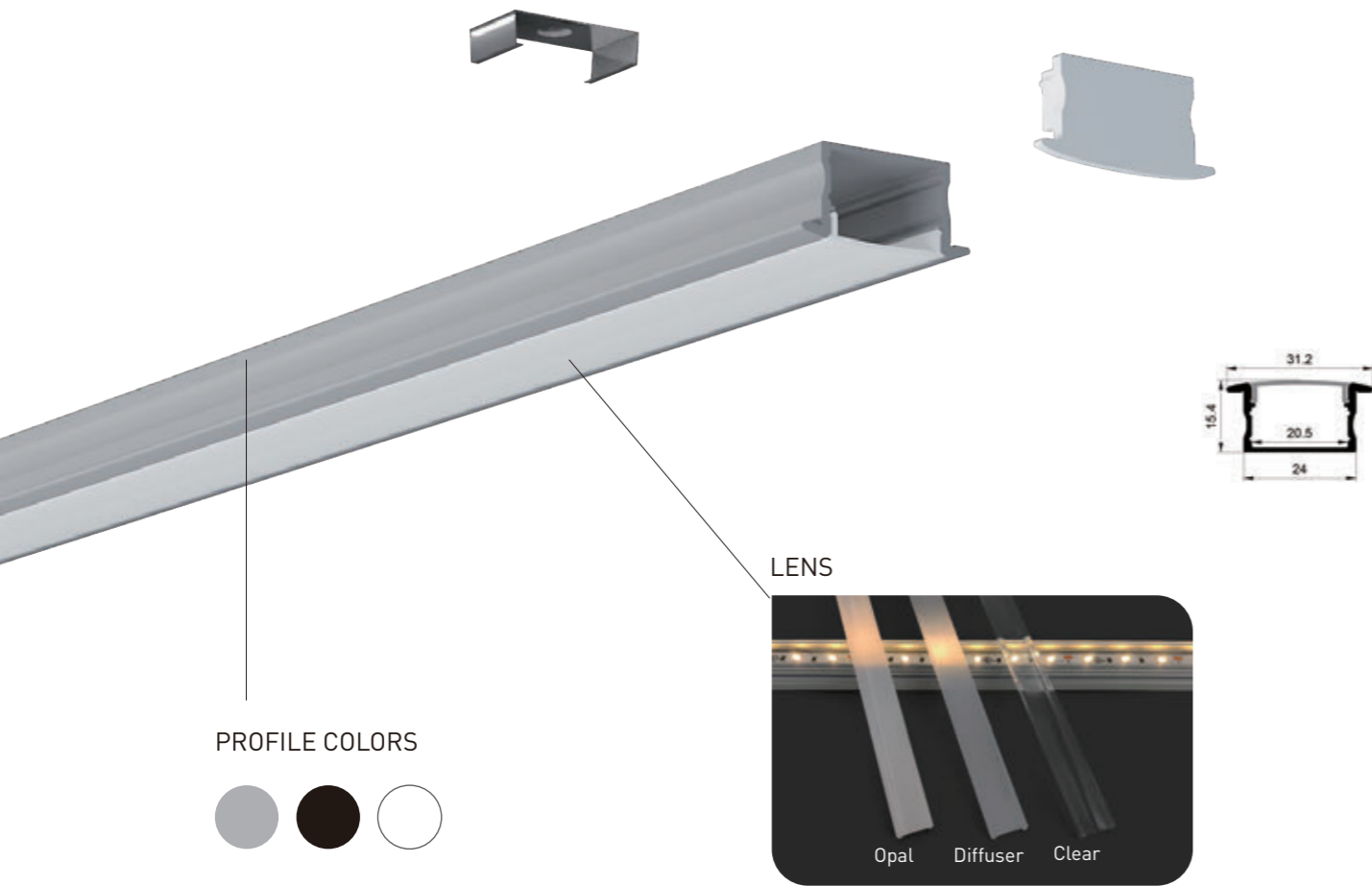
Performance	Part Code	Led Qty	Input Vol.	Power	CRI	Light Source Lumen	Diffuser Lens Lumen	Cutttable length	Max Run	Pcb Width
General	FN-2016-266	266pcs/m	24VDC	16.42W/m	90+	1700 lm/m	986 lm/m	26.3mm	3m	10mm

Remark: The tested data based on siliver finish in 4000K, CRI 90+ light source.



TRIMED RECESSED SERIES

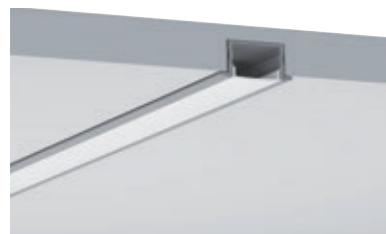
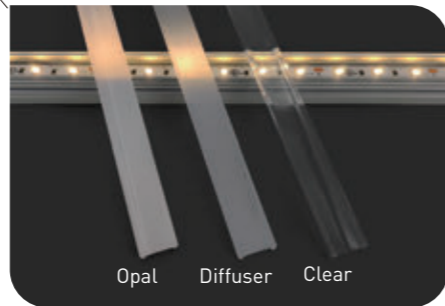
► SL321620



PROFILE COLORS



LENS



Installation: Trimmed Recessed

Length Available: 1-3m

Profile Color: Silver, Black Anodized, White Powder Coating

Lens: Opal, Diffuser, Clear

Input Cable: Endcaps, Profile Bottom, Profile Sides

Quick Female/Male Connectors Input cable & Junction Box available

TRIMED RECESSED SERIES

► SL321620

ORDERING CODE

Luminaire	Finish	Lens	Vol.	Power	CRI	CCT	Input Cable	Connector	Wiring
SL321620	W White	D Diffuser	12 12VDC	5.18W/m	90 90+	22-2200K , 24-2400K , 25-2500K 27-2700K , 30-3000K , 35-3500K 40-4000K , 50-5000K , 65-6500K	01 - Black&Red 22AWG 02 - Black&White 22AWG 03 - White PU protected 2 pin 04 - 3Pin cable for Tunable white	A - AMP male/female M - Molex male/female D - DC male/female	B - Through profile back E - Through Endcaps S - Through profile side
	B Black	O Opal	24 24VDC	6.00W/m	95 95+	22-2200K , 25-2500K , 27-2700K 30-3000K , 35-3500K , 40-4000K 50-5000K , 65-6500K			
	S Silver	C Clear	36 36VDC	11.52W/m	TW	Tunable White - check your executive sales			
			48 48VDC	14.40W/m 21.60W/m 24.00W/m 28.80W/m	D2W	Dim To Warm - check your executive sales			

RECOMMENDED LIGHT SOURCE

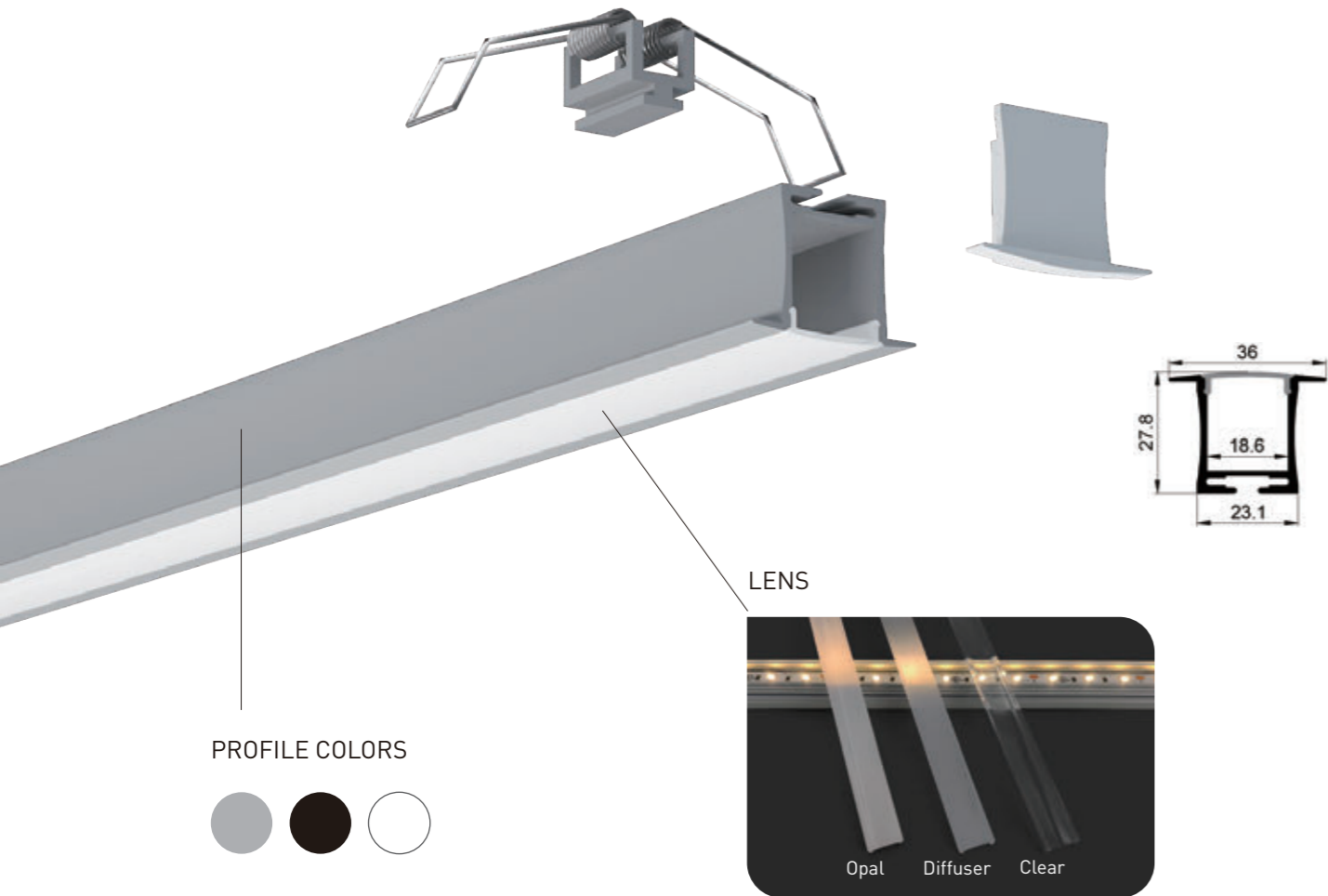
Performance	Part Code	Led Qty	Input Vol.	Power	CRI	Light Source Lumen	Diffuser Lens Lumen	Cuttable length	Max Run	Pcb Width
General	FN-2835T-120	120pcs/m	12/24VDC	14.40 W/m	90+	1512 lm/m	680lm/m	12V=25mm 24V=50mm	12V=5m 24V=9m	10 mm
					95+	1282 lm/m	577lm/m			
High Efficiency	FN-H2835T-128	128pcs/m	24VDC	11.52 W/m	90+	1613 lm/m	726lm/m	24V=62.5mm	24V=6m	10 mm
					95+	1475 lm/m	664lm/m			
	FN-H28350-160	160pcs/m	24VDC	24 W/m	90+	3480 lm/m	1739lm/m	50mm	3m	10 mm
					95+	1987 lm/m	894lm/m			
FN-H2835T-160	160pcs/m	24VDC	14.40 W/m	90+	1843 lm/m	829lm/m	24V=50mm	24V=5m	10 mm	
				95+	1843 lm/m	829lm/m				
FN-H28350-192	192pcs/m	24VDC	28.8 W/m	90+	4176 lm/m	2086lm/m	41.7mm	2.5m	10 mm	
				95+	4176 lm/m	2086lm/m				
Long Run	LN-H2835T-80	80pcs/m	36VDC	5.18W/m	90+	580 lm/m	261lm/m	100mm	50m	10 mm
					95+	482 lm/m	217lm/m			
	LN-H2835T-112	112pcs/m	48VDC	11.52 W/m	90+	1336 lm/m	601lm/m	125mm	25m	10 mm
95+					1106 lm/m	498lm/m				
LN-H2835T-120	120pcs/m	24VDC	6.00 W/m	90+	588 lm/m	265lm/m	50mm	21m	10 mm	
				95+	486 lm/m	219lm/m				
Short Cut	FN-F2835A-120	120pcs/m	12VDC	21.60 W/m	90+	1922 lm/m	865lm/m	16.7mm	3.5m	10 mm
					95+	1595 lm/m	718lm/m			

Remark: 1. The tested data based on silver finish in 4000K, CRI 90+ light source. 2. LN-H2835T-80 is good for long run, but it will show light spot.



TRIMED RECESSED SERIES

► SL362718



PROFILE COLORS



Installation: Trimmed Recessed
 Length Available: 1-3m
 Profile Color: Silver, Black Anodized, White Powder Coating
 Lens: Opal, Diffuser, Clear
 Input Cable: Endcaps, Profile Bottom, Profile Sides
 Quick Female/Male Connectors Input cable & Junction Box available

TRIMED RECESSED SERIES

► SL362718

ORDERING CODE

Luminaire	Finish	Lens	Vol.	Power	CRI	CCT	Input Cable	Connector	Wiring
SL362718	W White	D Diffuser	12 12VDC	5.18W/m	90 90+	22-2200K , 24-2400K , 25-2500K 27-2700K , 30-3000K , 35-3500K 40-4000K , 50-5000K , 65-6500K	01 - Black&Red 22AWG 02 - Black&White 22AWG 03 - White PU protected 2 pin 04 - 3Pin cable for Tunable white	A - AMP male/female M - Molex male/female D - DC male/female	B - Through profile back E - Through Endcaps S - Through profile side
	B Black	O Opal	24 24VDC	11.52W/m					
	S Silver	C Clear	36 36VDC	14.40W/m					
			48 48VDC	21.60W/m 24.00W/m 28.80W/m					
					TW	Tunable White - check your executive sales			
					D2W	Dim To Warm - check your executive sales			

RECOMMENDED LIGHT SOURCE

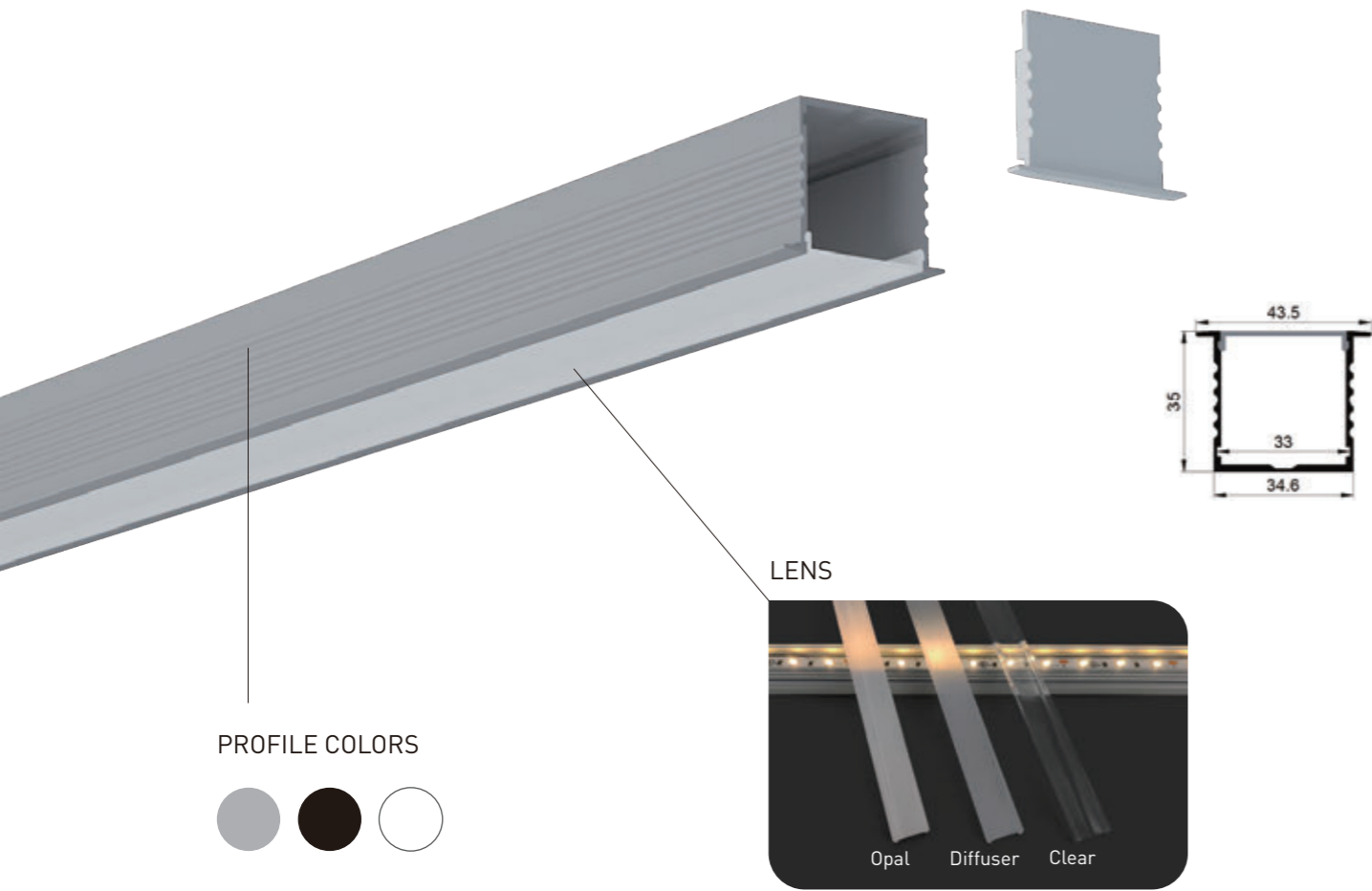
Performance	Part Code	Led Qty	Input Vol.	Power	CRI	Light Source Lumen	Diffuser Lens Lumen	Cuttable length	Max Run	Pcb Width
General	FN-2835T-120	120pcs/m	12/24VDC	14.40 W/m	90+	1512 lm/m	680lm/m	12V=25mm 24V=50mm	12V=5m 24V=9m	10 mm
					95+	1282 lm/m	577lm/m			
High Efficiency	FN-H2835T-128	128pcs/m	24VDC	11.52 W/m	90+	1613 lm/m	726lm/m	24V=62.5mm	24V=6m	10 mm
				95+	1475 lm/m	664lm/m				
	FN-H28350-160	160pcs/m	24VDC	24 W/m	90+	3480 lm/m	1739lm/m	50mm	3m	10 mm
	FN-H2835T-160	160pcs/m	24VDC	14.40 W/m	90+	1987 lm/m	894lm/m	24V=50mm	24V=5m	10 mm
			95+	1843 lm/m	829lm/m					
	FN-H28350-192	192pcs/m	24VDC	28.8 W/m	90+	4176 lm/m	2086lm/m	41.7mm	2.5m	10 mm
Long Run	LN-H2835T-80	80pcs/m	36VDC	5.18W/m	90+	580 lm/m	261lm/m	100mm	50m	10 mm
					95+	482 lm/m	217lm/m			
	LN-H2835T-112	112pcs/m	48VDC	11.52 W/m	90+	1336 lm/m	601lm/m	125mm	25m	10 mm
					95+	1106 lm/m	498lm/m			
	LN-H2835T-120	120pcs/m	24VDC	6.00 W/m	90+	588 lm/m	265lm/m	50mm	21m	10 mm
					95+	486 lm/m	219lm/m			
Short Cut	FN-F2835A-120	120pcs/m	12VDC	21.60 W/m	90+	1922 lm/m	865lm/m	16.7mm	3.5m	10 mm
					95+	1595 lm/m	718lm/m			

Remark: 1. The tested data based on silver finish in 4000K, CRI 90+ light source. 2. LN-H2835T-80 is good for long run, but it will show light spot.



TRIMED RECESSED SERIES

► SL3535B33



Installation: Trimmed Recessed
 Length Available: 1-3m
 Profile Color: Silver, Black Anodized, White Powder Coating
 Lens: Opal, Diffuser, Clear
 Input Cable: Endcaps, Profile Bottom, Profile Sides
 Quick Female/Male Connectors Input cable & Junction Box available

TRIMED RECESSED SERIES

► SL3535B33

ORDERING CODE

Luminaire	Finish	Lens	Vol.	Power	CRI	CCT	Input Cable	Connector	Wiring
SL3535B33	W White	D Diffuser	12 12VDC	5.18W/m	90 90+	22-2200K, 24-2400K, 25-2500K 27-2700K, 30-3000K, 35-3500K 40-4000K, 50-5000K, 65-6500K	01 - Black&Red 22AWG 02 - Black&White 22AWG 03 - White PU protected 2 pin 04 - 3Pin cable for Tunable white	A - AMP male/female M - Molex male/female D - DC male/female	B - Through profile back E - Through Endcaps S - Through profile side
	B Black	O Opal	24 24VDC	6.00W/m					
	S Silver	C Clear	36 36VDC	14.40W/m	21.60W/m	TW Tunable White - check your executive sales			
			48 48VDC	24.00W/m	28.80W/m				

RECOMMENDED LIGHT SOURCE

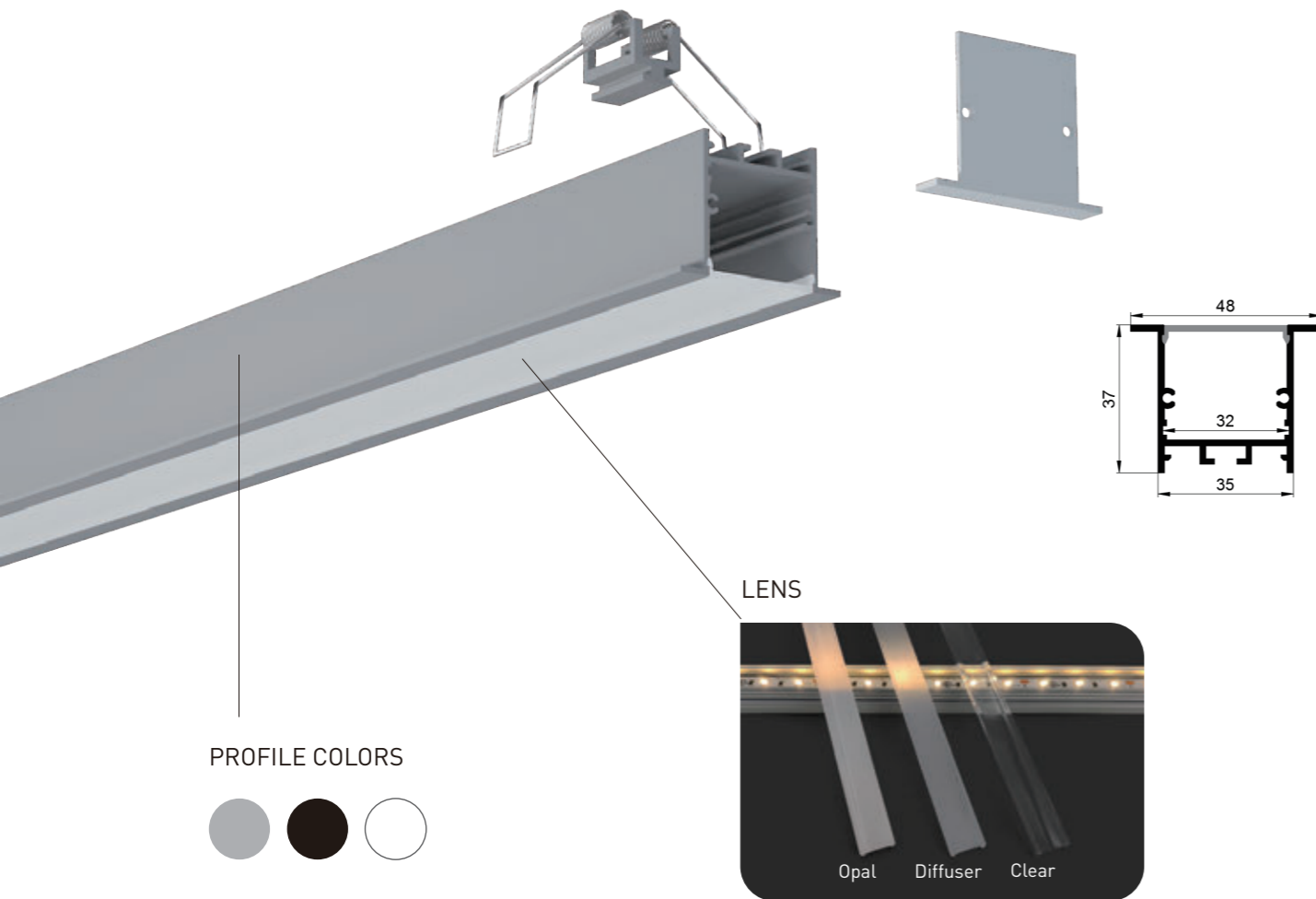
Performance	Part Code	Led Qty	Input Vol.	Power	CRI	Light Source Lumen	Diffuser Lens Lumen	Cuttable length	Max Run	Pcb Width
General	FN-2835T-120	120pcs/m	12/24VDC	14.40 W/m	90+	1512 lm/m	680lm/m	12V=25mm 24V=50mm	12V=5m 24V=9m	10 mm
					95+	1282 lm/m	577lm/m			
High Efficiency	FN-H2835T-128	128pcs/m	24VDC	11.52 W/m	90+	1613 lm/m	726lm/m	24V=62.5mm	24V=6m	10 mm
					95+	1475 lm/m	664lm/m			
	FN-H28350-160	160pcs/m	24VDC	24 W/m	90+	3480 lm/m	1739lm/m	50mm	3m	10 mm
					95+	1987 lm/m	894lm/m			
FN-H2835T-160	160pcs/m	24VDC	14.40 W/m	90+	1843 lm/m	829lm/m	24V=50mm	24V=5m	10 mm	
				95+	1843 lm/m	829lm/m				
FN-H28350-192	192pcs/m	24VDC	28.8 W/m	90+	4176 lm/m	2086lm/m	41.7mm	2.5m	10 mm	
				95+	4176 lm/m	2086lm/m				
Long Run	LN-H2835T-80	80pcs/m	36VDC	5.18W/m	90+	580 lm/m	261lm/m	100mm	50m	10 mm
					95+	482 lm/m	217lm/m			
	LN-H2835T-112	112pcs/m	48VDC	11.52 W/m	90+	1336 lm/m	601lm/m	125mm	25m	10 mm
95+					1106 lm/m	498lm/m				
LN-H2835T-120	120pcs/m	24VDC	6.00 W/m	90+	588 lm/m	265lm/m	50mm	21m	10 mm	
				95+	486 lm/m	219lm/m				
Short Cut	FN-F2835A-120	120pcs/m	12VDC	21.60 W/m	90+	1922 lm/m	865lm/m	16.7mm	3.5m	10 mm
					95+	1595 lm/m	718lm/m			

Remark: 1. The tested data based on silver finish in 4000K, CRI 90+ light source. 2. LN-H2835T-80 is good for long run, but it will show light spot.



TRIMED RECESSED SERIES

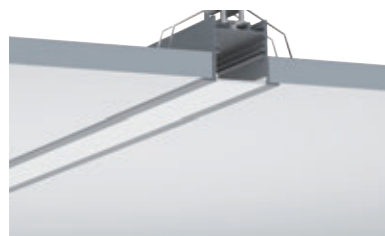
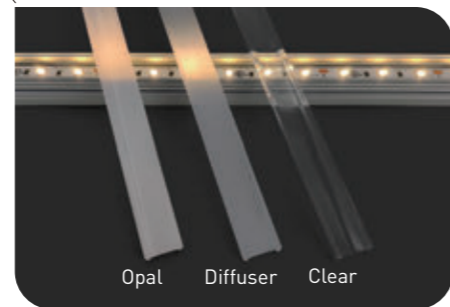
► SL493832



PROFILE COLORS



LENS



Installation: Trimmed Recessed
 Length Available: 1-3m
 Profile Color: Silver, Black Anodized, White Powder Coating
 Lens: Opal, Diffuser, Clear
 Input Cable: Endcaps, Profile Bottom, Profile Sides
 Quick Female/Male Connectors Input cable & Junction Box available

TRIMED RECESSED SERIES

► SL493832

ORDERING CODE

Luminaire	Finish	Lens	Vol.	Power	CRI	CCT	Input Cable	Connector	Wiring
SL493832	W White	D Diffuser	12 12VDC	5.18W/m	90 90+	22-2200K , 24-2400K , 25-2500K 27-2700K , 30-3000K , 35-3500K 40-4000K , 50-5000K , 65-6500K	01 - Black&Red 22AWG 02 - Black&White 22AWG 03 - White PU protected 2 pin 04 - 3Pin cable for Tunable white	A - AMP male/female M - Molex male/female D - DC male/female	B - Through profile back E - Through Endcaps S - Through profile side
	B Black	O Opal	24 24VDC	11.52W/m	95 95+	22-2200K , 25-2500K , 27-2700K 30-3000K , 35-3500K , 40-4000K 50-5000K , 65-6500K			
	S Silver	C Clear	36 36VDC	14.40W/m	TW	Tunable White - check your executive sales			
			48 48VDC	21.60W/m 24.00W/m 28.80W/m	D2W	Dim To Warm - check your executive sales			

RECOMMENDED LIGHT SOURCE

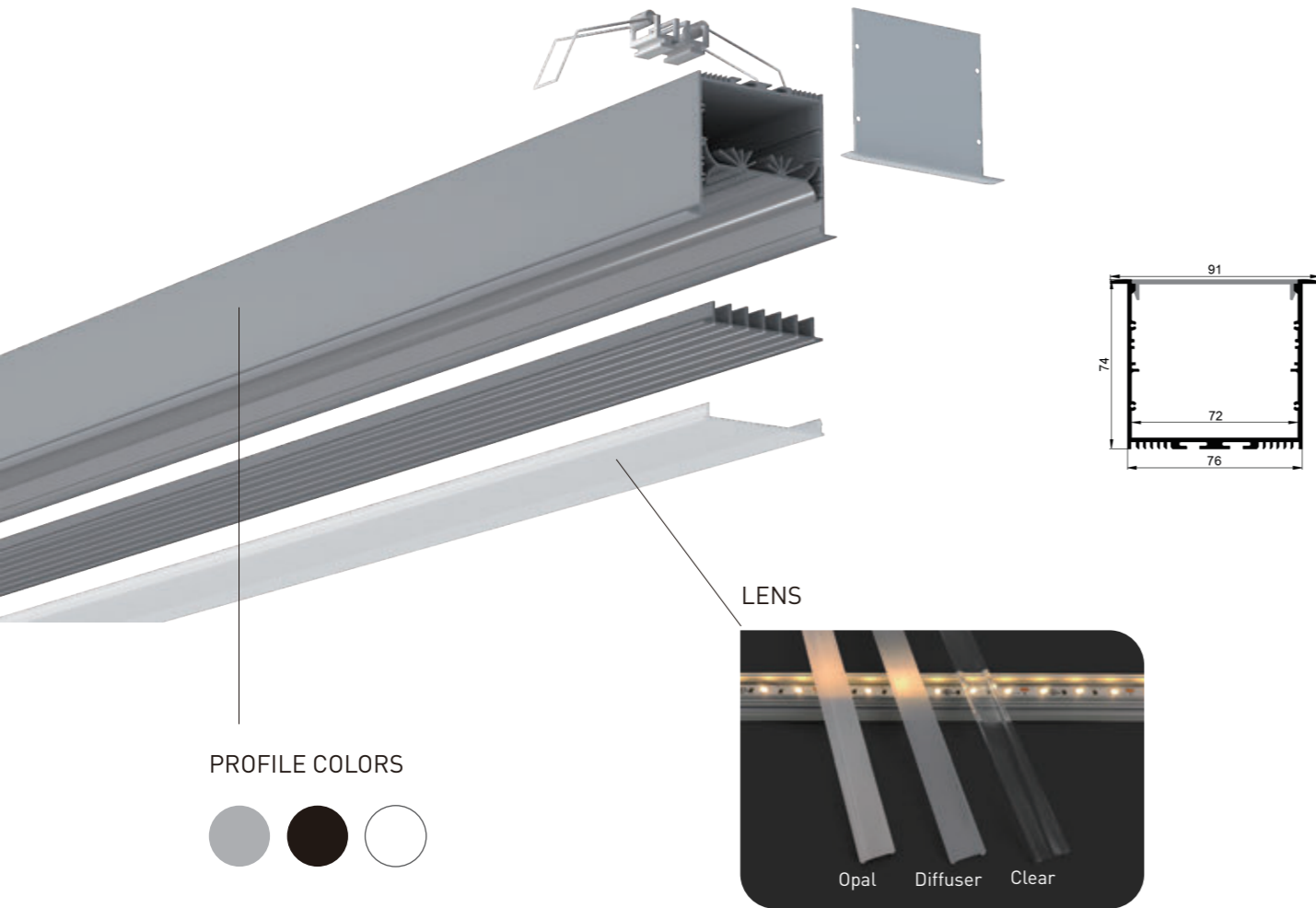
Performance	Part Code	Led Qty	Input Vol.	Power	CRI	Light Source Lumen	Diffuser Lens Lumen	Cuttable length	Max Run	Pcb Width
General	FN-2835T-120	120pcs/m	12/24VDC	14.40 W/m	90+	1512 lm/m	680lm/m	12V=25mm 24V=50mm	12V=5m 24V=9m	10 mm
					95+	1282 lm/m	577lm/m			
High Efficiency	FN-H2835T-128	128pcs/m	24VDC	11.52 W/m	90+	1613 lm/m	726lm/m	24V=62.5mm	24V=6m	10 mm
					95+	1475 lm/m	664lm/m			
	FN-H28350-160	160pcs/m	24VDC	24 W/m	90+	3480 lm/m	1739lm/m	50mm	3m	10 mm
					95+	1987 lm/m	894lm/m			
	FN-H2835T-160	160pcs/m	24VDC	14.40 W/m	90+	1843 lm/m	829lm/m	24V=50mm	24V=5m	10 mm
FN-H28350-192	192pcs/m	24VDC	28.8 W/m	90+	4176 lm/m	2086lm/m	41.7mm	2.5m	10 mm	
Long Run	LN-H2835T-80	80pcs/m	36VDC	5.18W/m	90+	580 lm/m	261lm/m	100mm	50m	10 mm
					95+	482 lm/m	217lm/m			
	LN-H2835T-112	112pcs/m	48VDC	11.52 W/m	90+	1336 lm/m	601lm/m	125mm	25m	10 mm
					95+	1106 lm/m	498lm/m			
	LN-H2835T-120	120pcs/m	24VDC	6.00 W/m	90+	588 lm/m	265lm/m	50mm	21m	10 mm
					95+	486 lm/m	219lm/m			
Short Cut	FN-F2835A-120	120pcs/m	12VDC	21.60 W/m	90+	1922 lm/m	865lm/m	16.7mm	3.5m	10 mm
					95+	1595 lm/m	718lm/m			

Remark: 1. The tested data based on silver finish in 4000K, CRI 90+ light source. 2. LN-H2835T-80 is good for long run, but it will show light spot.



TRIMED RECESSED SERIES

► SL9075A72



PROFILE COLORS



Installation: Trimmed Recessed
 Length Available: 1-3m
 Profile Color: Silver, Black Anodized, White Powder Coating
 Lens: Opal, Diffuser, Clear
 Input Cable: Endcaps, Profile Bottom, Profile Sides
 Quick Female/Male Connectors Input cable & Junction Box available

TRIMED RECESSED SERIES

► SL9075A72

ORDERING CODE

Luminaire	Finish	Lens	Vol.	Power	CRI	CCT	Input Cable	Connector	Wiring
SL9075A72	W White	D Diffuser	24 24VDC	38.88W/m	90	22-2200K , 24-2400K , 25-2500K 27-2700K , 30-3000K , 35-3500K 40-4000K , 50-5000K , 65-6500K	01 - Black&Red 22AWG	A - AMP male/female	B - Through profile back E - Through Endcaps S - Through profile side
				51.84W/m	90+				
	B Black	O Opal		57.60W/m	95	22-2200K , 25-2500K , 27-2700K 30-3000K , 35-3500K , 40-4000K 50-5000K , 65-6500K	02 - Black&White 22AWG	M - Molex male/female	
				95+					
S Silver	C Clear	TW	Tunable White - check your executive sales		03 - White PU protected 2 pin	D - DC male/female			
		D2W	Dim To Warm - check your executive sales				04 - 3Pin cable for Tunable white		

RECOMMENDED LIGHT SOURCE

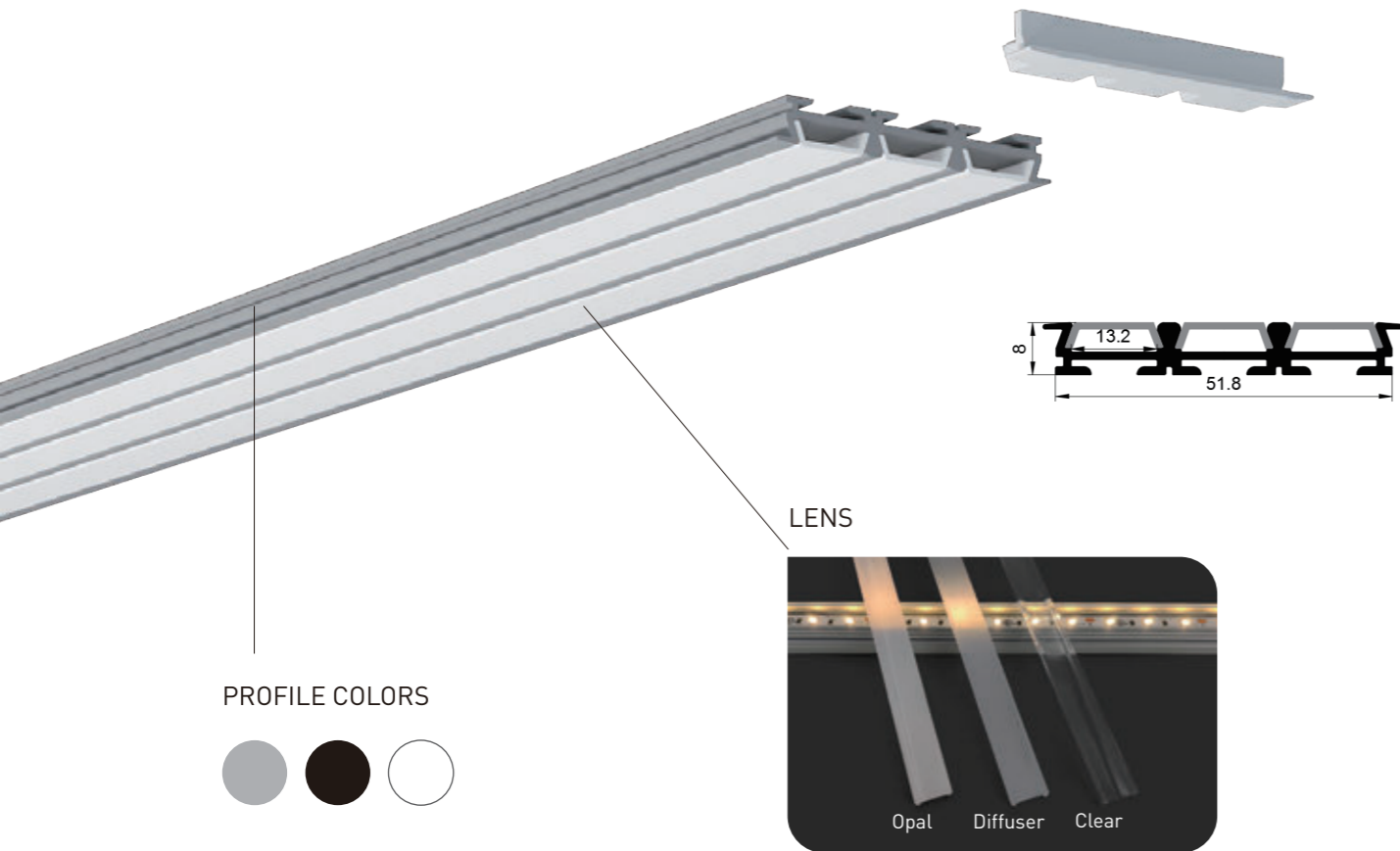
Performance	Part Code	Led Qty	Input Vol.	Power	CRI	Light Source Lumen	Diffuser Lens Lumen	Cuttable length	Max Run	Pcb Width
General	FN-2835T-432	432pcs/m	24VDC	51.84W/m	90+	5443 lm/m	2449 lm/m	55.56mm	5m	28mm
					95+	4614 lm/m	2076 lm/m			
High Efficiency	FN-H28350-320	320pcs/m	24VDC	57.60 W/m	90+	9100 lm/m	4095 lm/m	50mm	2m	56mm
	FN-2835T-432	432pcs/m	24VDC	38.88W/m	90+	5365 lm/m	2414 lm/m	18.5mm	5m	28mm
95+	4977 lm/m	2240 lm/m								

Remark: The tested data based on silver finish in 4000K, CRI 90+ light source.



TRIMED RECESSED SERIES

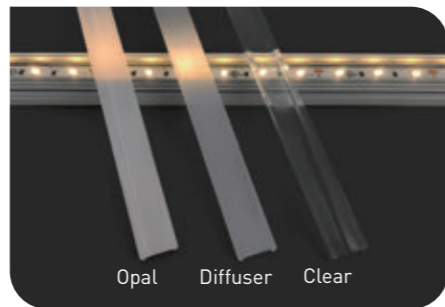
► SL560913



PROFILE COLORS



LENS



Installation: Trimmed Recessed
 Length Available: 1-3m
 Profile Color: Silver, Black Anodized, White Powder Coating
 Lens: Opal, Diffuser, Clear
 Input Cable: Endcaps, Profile Bottom, Profile Sides
 Quick Female/Male Connectors Input cable & Junction Box available

TRIMED RECESSED SERIES

► SL560913

ORDERING CODE

Luminaire	Finish	Lens	Vol.	Power	CRI	CCT	Input Cable	Connector	Wiring
SL560913	W White	D Diffuser	24 24VDC	49.26W/m	90 90+	22-2200K , 24-2400K 25-2500K , 27-2700K 30-3000K , 35-3500K 40-4000K , 50-5000K 65-6500K	01 - Black&Red 22AWG	A - AMP male/female	B - Through profile back
	B Black	O Opal					02 - Black&White 22AWG	M - Molex male/female	E - Through Endcaps
	S Silver	C Clear					03 - White PU protected 2 pin	D - DC male/female	S - Through profile side
					TW	Tunable White - check your executive sales			
					D2W	Dim To Warm - check your executive sales	04 - 3Pin cable for Tunable white		

RECOMMENDED LIGHT SOURCE

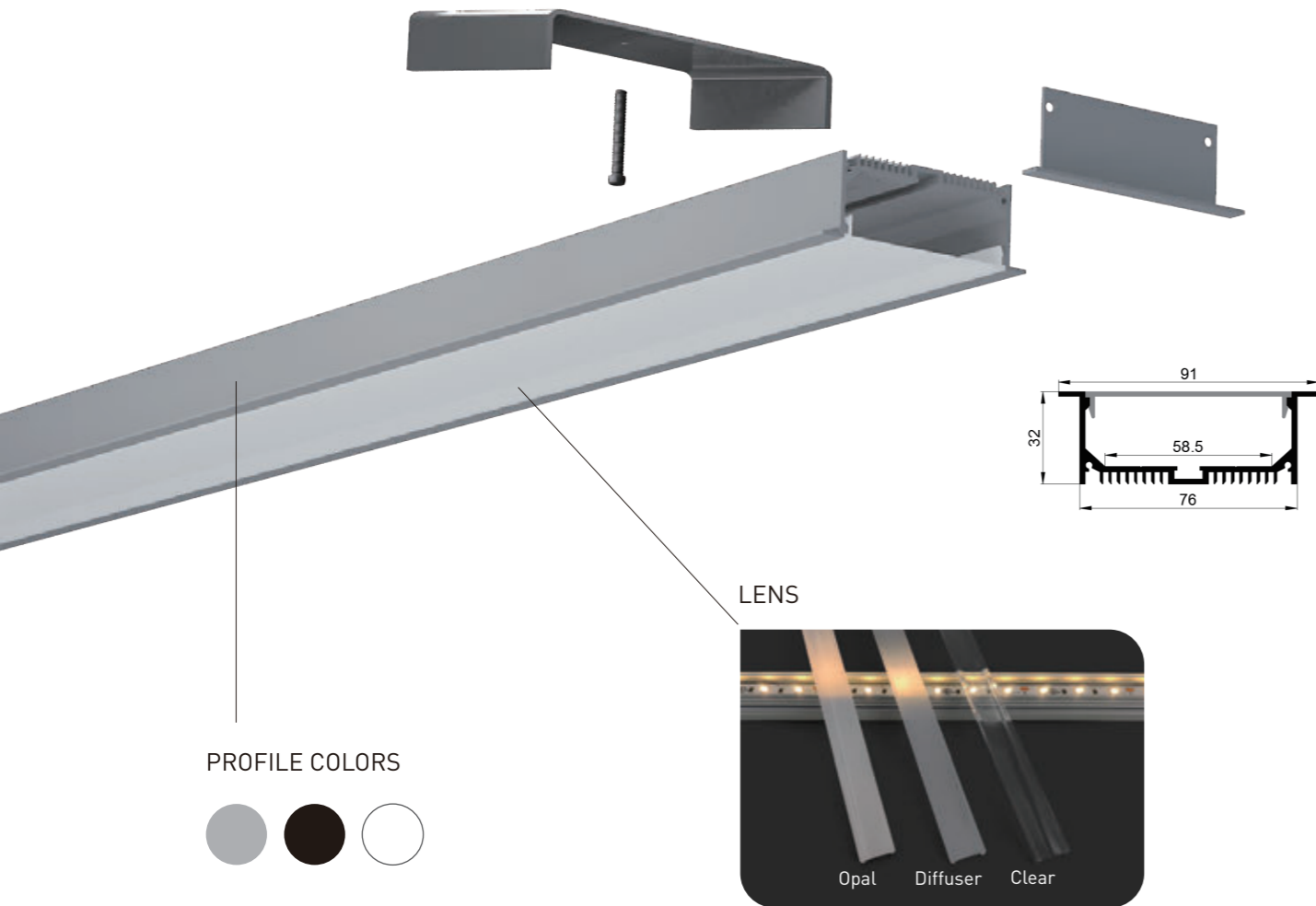
Performance	Part Code	Led Qty	Input Vol.	Power	CRI	Light Source Lumen	Diffuser Lens Lumen	Cuttable length	Max Run	Pcb Width
General	FN-2016-266	266pcs/m	24VDC	49.26W/m	90+	5100 lm/m	2550 lm/m	26.3mm	3m	10mm

Remark: The tested data based on silver finish in 4000K, CRI 90+ light source.



TRIMED RECESSED SERIES

► SL903258



Installation: Trimmed Recessed
 Length Available: 1-3m
 Profile Color: Silver, Black Anodized, White Powder Coating
 Lens: Opal, Diffuser, Clear
 Input Cable: Endcaps, Profile Bottom, Profile Sides
 Quick Female/Male Connectors Input cable & Junction Box available

TRIMED RECESSED SERIES

► SL903258

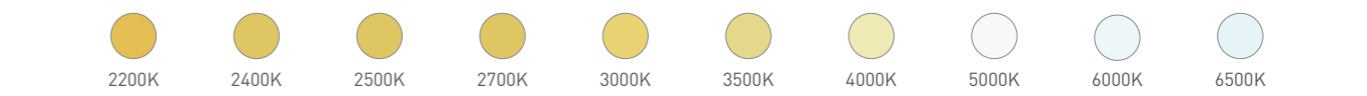
ORDERING CODE

Luminaire	Finish	Lens	Vol.	Power	CRI	CCT	Input Cable	Connector	Wiring
SL903258	W White	D Diffuser	24 24VDC	38.88W/m	90 90+	22-2200K , 24-2400K , 25-2500K 27-2700K , 30-3000K , 35-3500K 40-4000K , 50-5000K , 65-6500K	01 - Black&Red 22AWG 02 - Black&White 22AWG 03 - White PU protected 2 pin 04 - 3Pin cable for Tunable white	A - AMP male/female M - Molex male/female D - DC male/female	B - Through profile back E - Through Endcaps S - Through profile side
	B Black	O Opal		51.84W/m					
	S Silver	C Clear		57.60W/m	95 95+	22-2200K , 25-2500K , 27-2700K 30-3000K , 35-3500K , 40-4000K 50-5000K , 65-6500K			
				TW	Tunable White - check your executive sales				
		D2W	Dim To Warm - check your executive sales						

RECOMMENDED LIGHT SOURCE

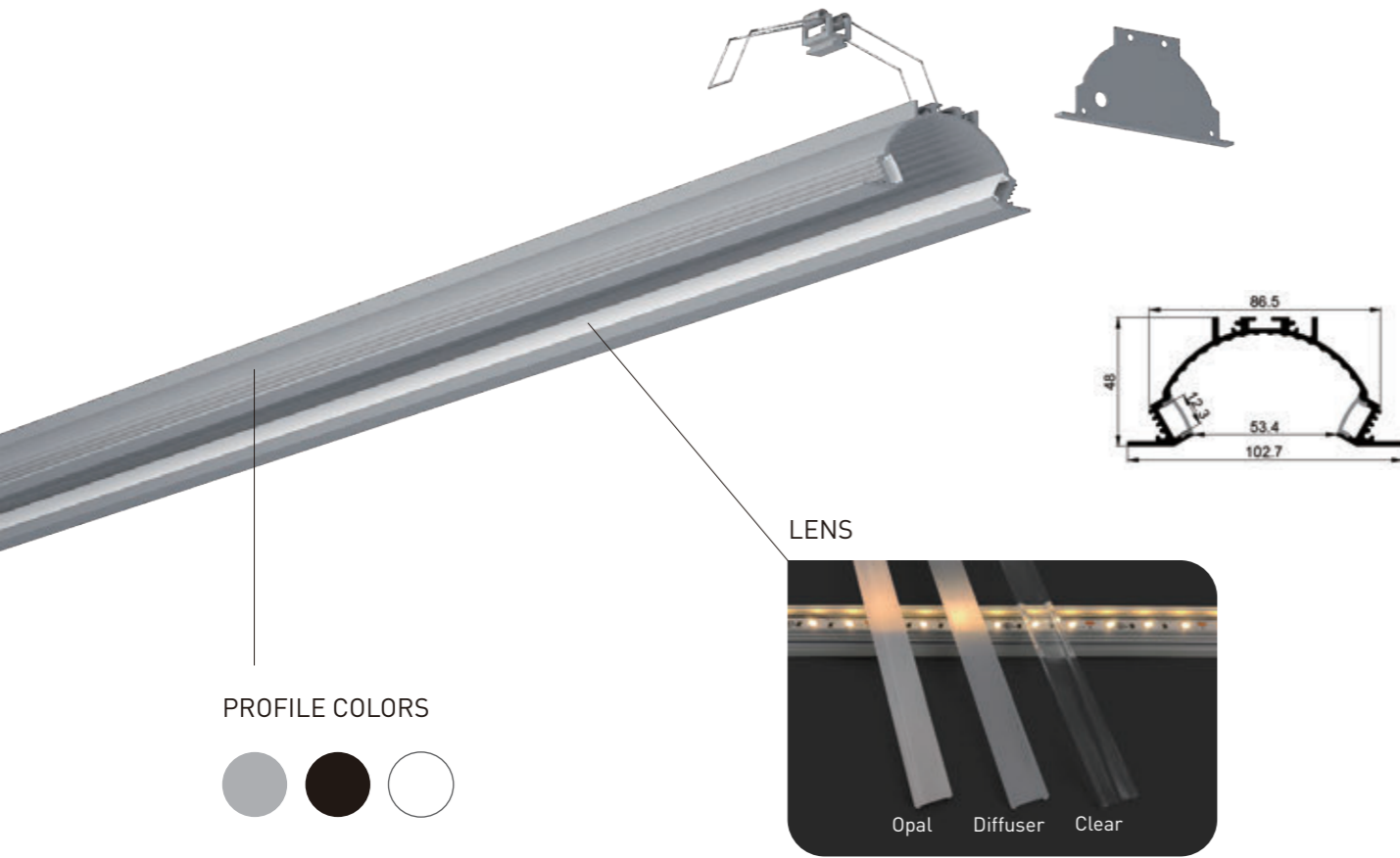
Performance	Part Code	Led Qty	Input Vol.	Power	CRI	Light Source Lumen	Diffuser Lens Lumen	Cuttable length	Max Run	Pcb Width
General	FN-2835T-432	432pcs/m	24VDC	51.84W/m	90+	5443 lm/m	2449 lm/m	55.56mm	5m	28mm
					95+	4614 lm/m	2076 lm/m			
High Efficiency	FN-H28350-320	320pcs/m	24VDC	57.60 W/m	90+	9100 lm/m	4095 lm/m	50mm	2m	56mm
	FN-2835T-432	432pcs/m	24VDC	38.88W/m	90+	5365 lm/m	2414 lm/m	18.5mm	5m	28mm
				95+	4977 lm/m	2240 lm/m				

Remark: The tested data based on silver finish in 4000K, CRI 90+ light source.

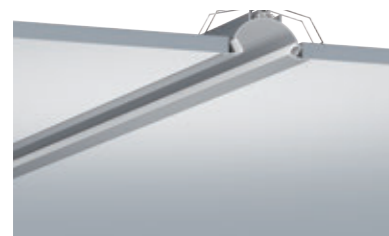


TRIMED RECESSED SERIES

► SL1004812



PROFILE COLORS



Installation: Trimmed Recessed
 Length Available: 1-3m
 Profile Color: Silver, Black Anodized, White Powder Coating
 Lens: Opal, Diffuser, Clear
 Input Cable: Endcaps, Profile Bottom, Profile Sides
 Quick Female/Male Connectors Input cable & Junction Box available

TRIMED RECESSED SERIES

► SL1004812

ORDERING CODE

Luminaire	Finish	Lens	Vol.	Power	CRI	CCT	Input Cable	Connector	Wiring
SL1004812	W White	D Diffuser	12 12VDC	10.04W/m	90 90+	22-2200K , 24-2400K , 25-2500K 27-2700K , 30-3000K , 35-3500K 40-4000K , 50-5000K , 65-6500K	01 - Black&Red 22AWG 02 - Black&White 22AWG 03 - White PU protected 2 pin 04 - 3Pin cable for Tunable white	A - AMP male/female M - Molex male/female D - DC male/female	B - Through profile back E - Through Endcaps S - Through profile side
	B Black	O Opal	24 24VDC	23.00W/m	95 95+	22-2200K , 25-2500K , 27-2700K 30-3000K , 35-3500K , 40-4000K 50-5000K , 65-6500K			
	S Silver	C Clear	36 36VDC	23.04W/m	TW	Tunable White - check your executive sales			
			48 48VDC	28.80W/m 43.20 W/m 48.00W/m 57.60W/m	D2W	Dim To Warm - check your executive sales			

RECOMMENDED LIGHT SOURCE

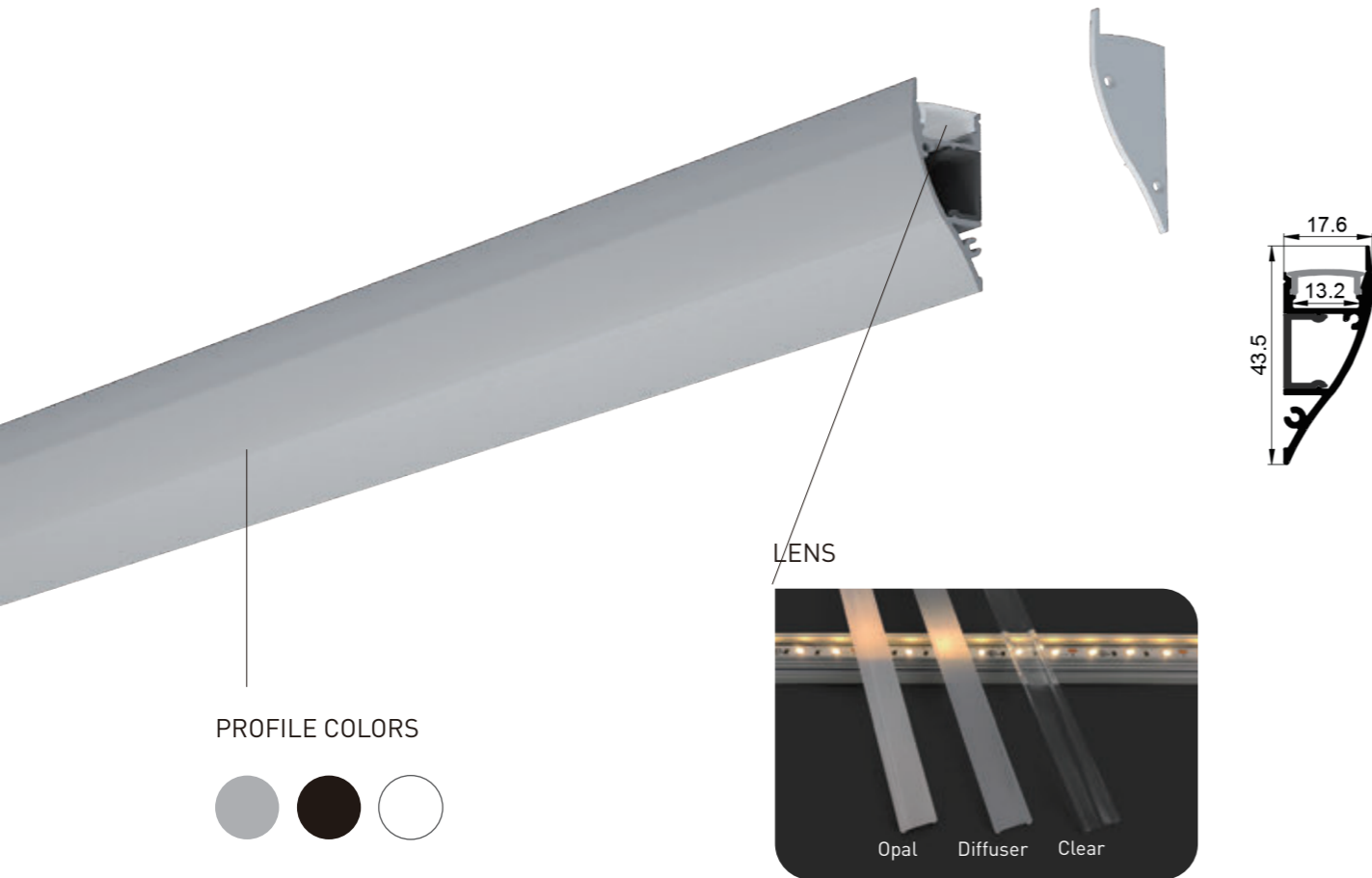
Performance	Part Code	Led Qty	Input Vol.	Power	CRI	Light Source Lumen	Diffuser Lens Lumen	Cutttable length	Max Run	Pcb Width
General	FN-2835T-120	120pcs/m	12/24VDC	28.8 W/m	90+	3024 lm/m	1210 lm/m	12V=25mm 24V=50mm	12V=5m 24V=9m	10 mm
					95+	2564 lm/m	1025 lm/m			
High Efficiency	FN-H2835T-128	128pcs/m	24VDC	23 W/m	90+	3226 lm/m	1290 lm/m	24V=62.5mm	24V=6m	10 mm
					95+	2950 lm/m	1180 lm/m			
	FN-H28350-160	160pcs/m	24VDC	48 W/m	90+	7728 lm/m	3091 lm/m	50mm	3m	10 mm
					90+	3974 lm/m	1590 lm/m			
						95+	3686 lm/m			
FN-H28350-192	192pcs/m	24VDC	57.6 W/m	90+	9272 lm/m	3708 lm/m	41.7mm	2.5m	10 mm	
Long Run	LN-H2835T-80	80pcs/m	36VDC	10.4 W/m	90+	1160 lm/m	464 lm/m	100mm	50m	10 mm
					95+	964 lm/m	385 lm/m			
	LN-H2835T-112	112pcs/m	48VDC	23.04 W/m	90+	2672 lm/m	1068 lm/m	125mm	25m	10 mm
					95+	2212 lm/m	885 lm/m			
	LN-H2835T-120	120pcs/m	24VDC	12 W/m	90+	1176 lm/m	470 lm/m	50mm	21m	10 mm
					95+	1972 lm/m	388 lm/m			
Short Cut	FN-F2835A-120	120pcs/m	12VDC	43.2 W/m	90+	3844 lm/m	1537 lm/m	16.7mm	3.5m	10 mm
					95+	3190 lm/m	1276 lm/m			

Remark: 1. The tested data based on silver finish in 4000K, CRI 90+ light source. 2. LN-H2835T-80 is good for long run, but it will show light spot.



WALL MOUNTED SERIES

► SL184413



PROFILE COLORS



Installation: Wall Surface Mounted
 Length Available: 1-3m
 Profile Color: Silver, Black Anodized, White Powder Coating
 Lens: Opal, Diffuser, Clear
 Input Cable: Endcaps, Profile Bottom, Profile Sides
 Quick Female/Male Connectors Input cable & Junction Box available

WALL MOUNTED SERIES

► SL184413

ORDERING CODE

Luminaire	Finish	Lens	Vol.	Power	CRI	CCT	Input Cable	Connector	Wiring
SL184413	W White	D Diffuser	12 12VDC	5.18W/m	90 90+	22-2200K , 24-2400K , 25-2500K 27-2700K , 30-3000K , 35-3500K 40-4000K , 50-5000K , 65-6500K	01 - Black&Red 22AWG 02 - Black&White 22AWG 03 - White PU protected 2 pin 04 - 3Pin cable for Tunable white	A - AMP male/female M - Molex male/female D - DC male/female	B - Through profile back E - Through Endcaps S - Through profile side
	B Black	O Opal	24 24VDC	11.52W/m	95 95+	22-2200K , 25-2500K , 27-2700K 30-3000K , 35-3500K , 40-4000K 50-5000K , 65-6500K			
	S Silver	C Clear	36 36VDC	14.40W/m	TW	Tunable White - check your executive sales			
			48 48VDC	21.60W/m 24.00W/m 28.80W/m					
					D2W	Dim To Warm - check your executive sales			

RECOMMENDED LIGHT SOURCE

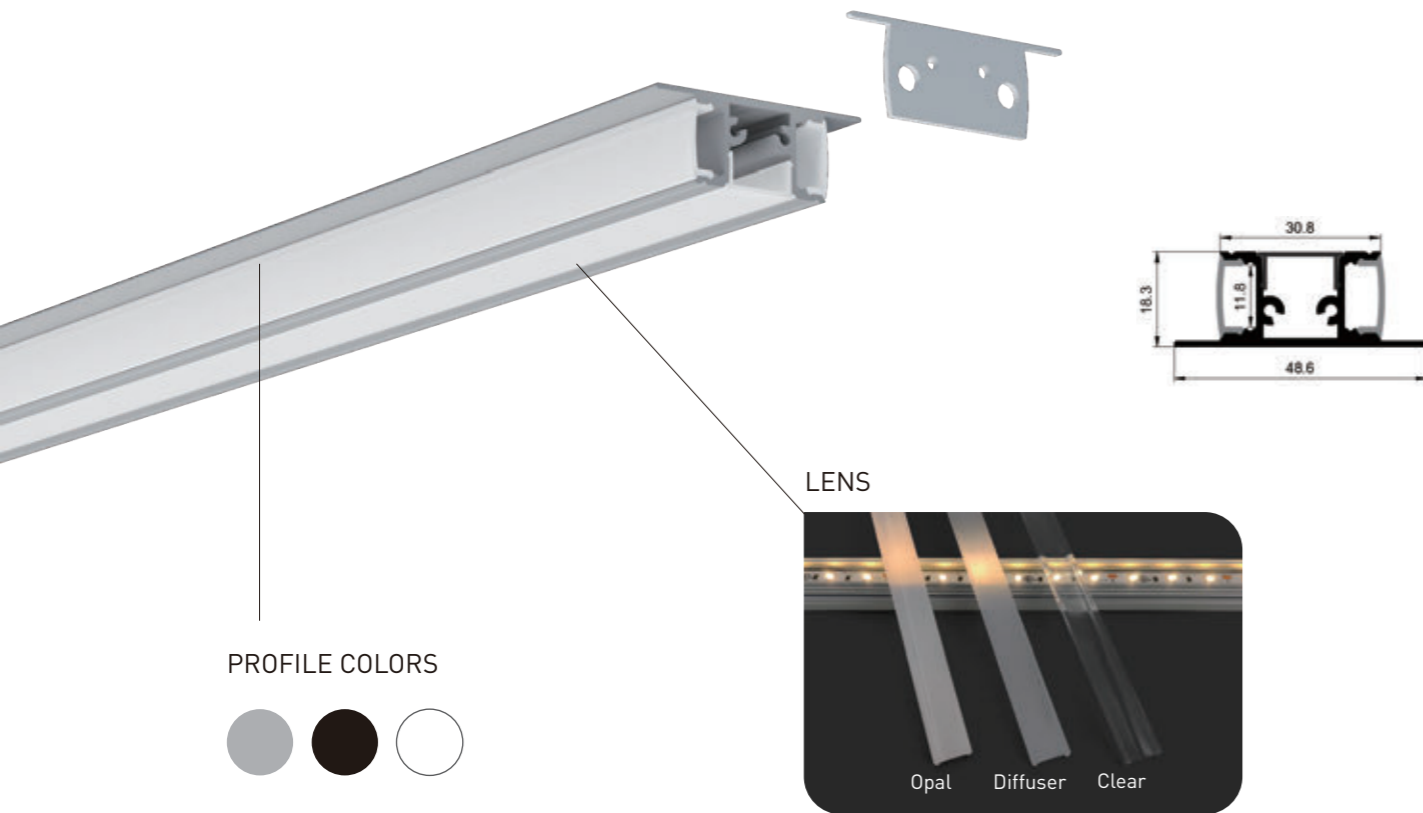
Performance	Part Code	Led Qty	Input Vol.	Power	CRI	Light Source Lumen	Diffuser Lens Lumen	Cuttable length	Max Run	Pcb Width
General	FN-2835T-120	120pcs/m	12/24VDC	14.40 W/m	90+	1512 lm/m	605 lm/m	12V=25mm 24V=50mm	12V=5m 24V=9m	10 mm
					95+	1282 lm/m	513 lm/m			
High Efficiency	FN-H2835T-128	128pcs/m	24VDC	11.52 W/m	90+	1613 lm/m	645 lm/m	24V=62.5mm	24V=6m	10 mm
					95+	1475 lm/m	590 lm/m			
	FN-H28350-160	160pcs/m	24VDC	24 W/m	90+	3480 lm/m	1546 lm/m	50mm	3m	10 mm
					95+	1987 lm/m	795 lm/m			
FN-H2835T-160	160pcs/m	24VDC	14.40 W/m	90+	1843 lm/m	737 lm/m	24V=50mm	24V=5m	10 mm	
				95+	1843 lm/m	737 lm/m				
FN-H28350-192	192pcs/m	24VDC	28.8 W/m	90+	4176 lm/m	1584 lm/m	41.7mm	2.5m	10 mm	
				95+	4176 lm/m	1584 lm/m				
Long Run	LN-H2835T-80	80pcs/m	36VDC	5.18W/m	90+	580 lm/m	232 lm/m	100mm	50m	10 mm
					95+	482 lm/m	193 lm/m			
	LN-H2835T-112	112pcs/m	48VDC	11.52 W/m	90+	1336 lm/m	534 lm/m	125mm	25m	10 mm
					95+	1106 lm/m	442 lm/m			
	LN-H2835T-120	120pcs/m	24VDC	6.00 W/m	90+	588 lm/m	235 lm/m	50mm	21m	10 mm
					95+	486 lm/m	194 lm/m			
Short Cut	FN-F2835A-120	120pcs/m	12VDC	21.60 W/m	90+	1922 lm/m	769 lm/m	16.7mm	3.5m	10 mm
					95+	1595 lm/m	638 lm/m			

Remark: 1. The tested data based on silver finish in 4000K, CRI 90+ light source. 2. LN-H2835T-80 is good for long run, but it will show light spot.



WALL MOUNTED SERIES

► SL184811



PROFILE COLORS



Installation: Wall Surface Mounted
 Length Available: 1-3m
 Profile Color: Silver, Black Anodized, White Powder Coating
 Lens: Opal, Diffuser, Clear
 Input Cable: Endcaps, Profile Bottom, Profile Sides
 Quick Female/Male Connectors Input cable & Junction Box available

WALL MOUNTED SERIES

► SL184811

ORDERING CODE

Luminaire	Finish	Lens	Vol.	Power	CRI	CCT	Input Cable	Connector	Wiring
SL184811	W White	D Diffuser	12 12VDC	10.36 W/m	90 90+	22-2200K , 24-2400K , 25-2500K 27-2700K , 30-3000K , 35-3500K 40-4000K , 50-5000K , 65-6500K	01 - Black&Red 22AWG	A - AMP male/female	B - Through profile back
	B Black	O Opal	24 24VDC	23.04 W/m	95 95+	22-2200K , 25-2500K , 27-2700K 30-3000K , 35-3500K , 40-4000K 50-5000K , 65-6500K			
	S Silver	C Clear	36 36VDC	28.80 W/m	TW	Tunable White - check your executive sales	03 - White PU protected 2 pin	D - DC male/female	S - Through profile side
			48 48VDC	43.20 W/m			04 - 3Pin cable for Tunable white		
				57.60 W/m	D2W	Dim To Warm - check your executive sales			

RECOMMENDED LIGHT SOURCE

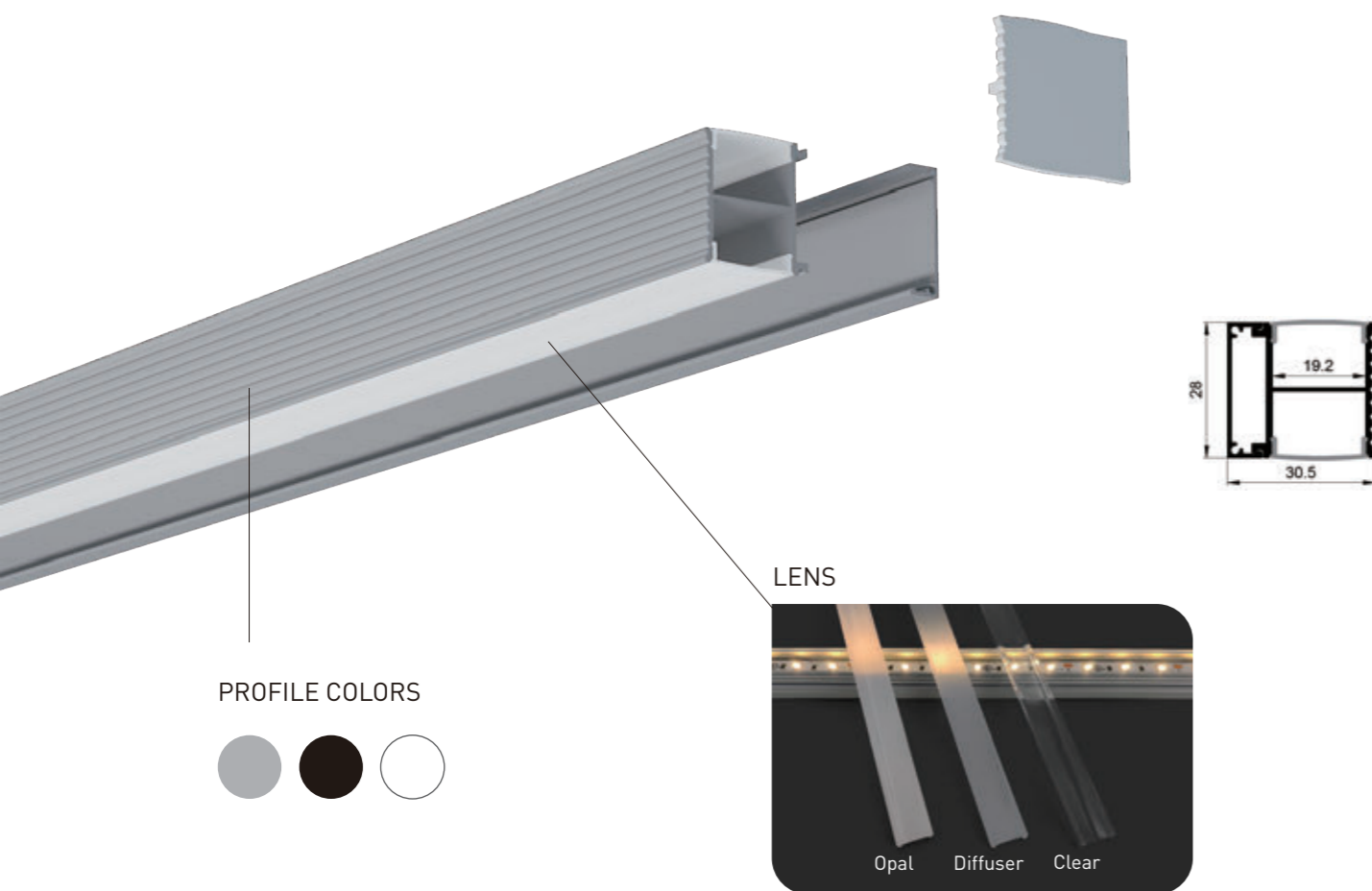
Performance	Part Code	Led Qty	Input Vol.	Power	CRI	Light Source Lumen	Diffuser Lens Lumen	Cuttible length	Max Run	Pcb Width				
General	FN-2835T-120	120pcs/m	12/24VDC	28.8 W/m	90+	3024 lm/m	1209 lm/m	12V=25mm	12V=5m	10 mm				
					95+	2564 lm/m	1025 lm/m	24V=50mm						
High Efficiency	FN-H2835T-128	128pcs/m	24VDC	23.04 W/m	90+	3226 lm/m	1290 lm/m	24V=62.5mm	24V=6m	10 mm				
					95+	2950 lm/m	1180 lm/m							
	FN-H28350-160	160pcs/m	24VDC	48 W/m	90+	7728 lm/m	3091 lm/m	50mm	3m	10 mm				
					FN-H2835T-160	160pcs/m	24VDC	28.8 W/m	90+	3974 lm/m	1589 lm/m	24V=50mm	24V=5m	10 mm
									95+	3686 lm/m	1474 lm/m			
FN-H28350-192	192pcs/m	24VDC	57.6 W/m	90+	9272 lm/m	3708 lm/m	41.7mm	2.5m	10 mm					
Long Run	LN-H2835T-80	80pcs/m	36VDC	10.36W/m	90+	1160 lm/m	464 lm/m	100mm	50m	10 mm				
					95+	964 lm/m	385 lm/m							
	LN-H2835T-112	112pcs/m	48VDC	23.04 W/m	90+	2672 lm/m	1068 lm/m	125mm	25m	10 mm				
					95+	2212 lm/m	884 lm/m							
	LN-H2835T-120	120pcs/m	24VDC	12 W/m	90+	1176 lm/m	470 lm/m	50mm	21m	10 mm				
					95+	972 lm/m	388 lm/m							
Short Cut	FN-F2835A-120	120pcs/m	12VDC	43.2 W/m	90+	3844 lm/m	1537 lm/m	16.7mm	3.5m	10 mm				
					95+	3190 lm/m	1276 lm/m							

Remark: 1. The tested data based on silver finish in 4000K, CRI 90+ light source. 2. LN-H2835T-80 is good for long run, but it will show light spot.



WALL MOUNTED SERIES

► SL312819



PROFILE COLORS



Installation: Wall Surface Mounted
 Length Available: 1-3m
 Profile Color: Silver, Black Anodized, White Powder Coating
 Lens: Opal, Diffuser, Clear
 Input Cable: Endcaps, Profile Bottom, Profile Sides
 Quick Female/Male Connectors Input cable & Junction Box available

WALL MOUNTED SERIES

► SL312819

ORDERING CODE

Luminaire	Finish	Lens	Vol.	Power	CRI	CCT	Input Cable	Connector	Wiring
SL312819	W White	D Diffuser	12 12VDC	10.36 W/m	90 90+	22-2200K , 24-2400K , 25-2500K 27-2700K , 30-3000K , 35-3500K 40-4000K , 50-5000K , 65-6500K	01 - Black&Red 22AWG 02 - Black&White 22AWG 03 - White PU protected 2 pin 04 - 3Pin cable for Tunable white	A - AMP male/female M - Molex male/female D - DC male/female	B - Through profile back E - Through Endcaps S - Through profile side
	B Black	O Opal	24 24VDC	23.04 W/m	95 95+	22-2200K , 25-2500K , 27-2700K 30-3000K , 35-3500K , 40-4000K 50-5000K , 65-6500K			
	S Silver	C Clear	36 36VDC	28.80 W/m	TW	Tunable White - check your executive sales			
			48 48VDC	43.20 W/m 48.00 W/m 57.60 W/m	D2W	Dim To Warm - check your executive sales			

RECOMMENDED LIGHT SOURCE

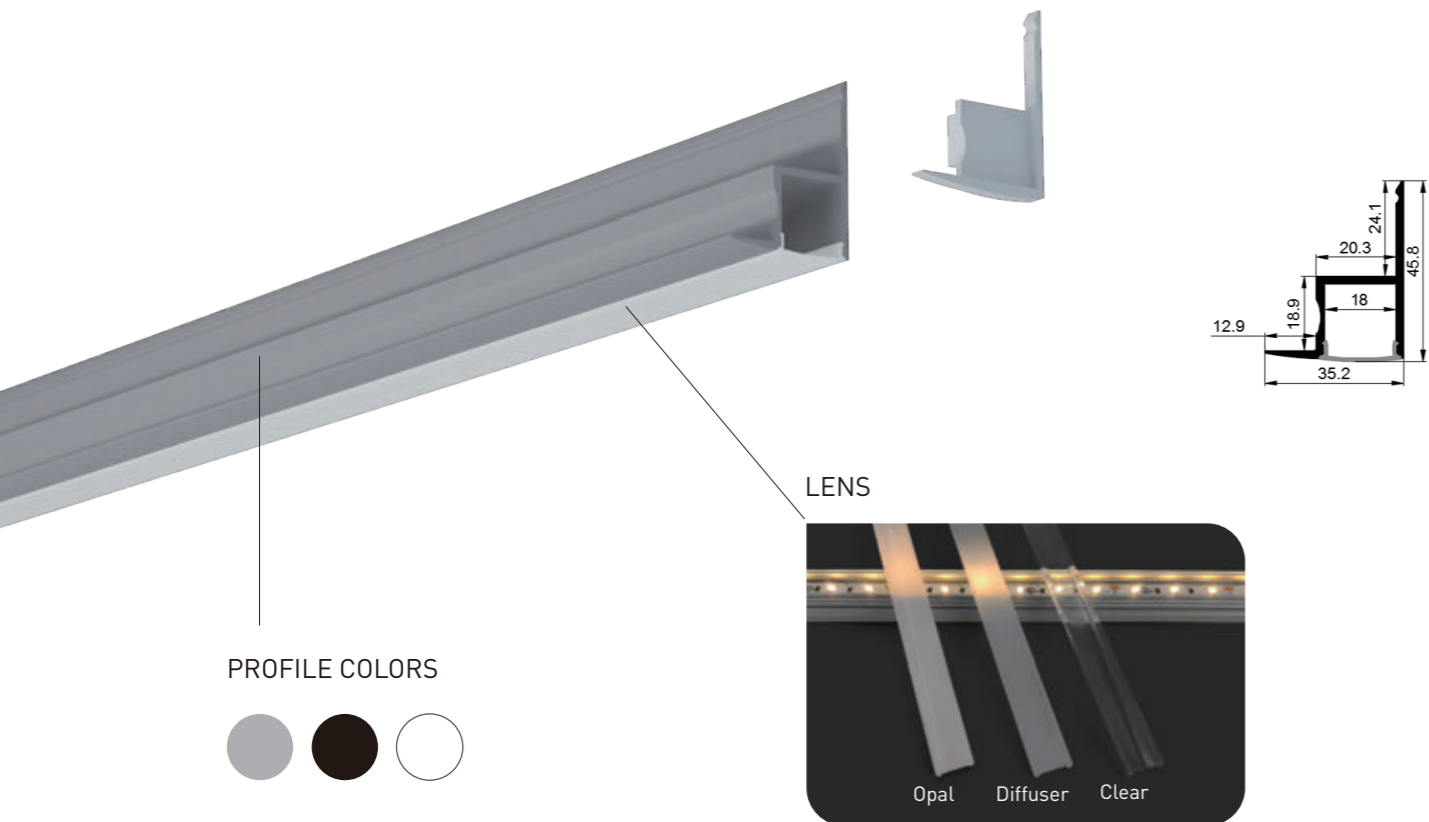
Performance	Part Code	Led Qty	Input Vol.	Power	CRI	Light Source Lumen	Diffuser Lens Lumen	Cuttable length	Max Run	Pcb Width
General	FN-2835T-120	120pcs/m	12/24VDC	28.8 W/m	90+	3024 lm/m	1209 lm/m	12V=25mm 24V=50mm	12V=5m 24V=9m	10 mm
					95+	2564 lm/m	1025 lm/m			
High Efficiency	FN-H2835T-128	128pcs/m	24VDC	23.04 W/m	90+	3226 lm/m	1290 lm/m	24V=62.5mm	24V=6m	10 mm
					95+	2950 lm/m	1180 lm/m			
	FN-H28350-160	160pcs/m	24VDC	48 W/m	90+	7728 lm/m	3091 lm/m	50mm	3m	10 mm
					95+	3974 lm/m	1589 lm/m			
FN-H2835T-160	160pcs/m	24VDC	28.8 W/m	90+	3686 lm/m	1474 lm/m	24V=50mm	24V=5m	10 mm	
				95+	3686 lm/m	1474 lm/m				
FN-H28350-192	192pcs/m	24VDC	57.6 W/m	90+	9272 lm/m	3708 lm/m	41.7mm	2.5m	10 mm	
				95+	9272 lm/m	3708 lm/m				
Long Run	LN-H2835T-80	80pcs/m	36VDC	10.36W/m	90+	1160 lm/m	464 lm/m	100mm	50m	10 mm
					95+	964 lm/m	385 lm/m			
	LN-H2835T-112	112pcs/m	48VDC	23.04 W/m	90+	2672 lm/m	1068 lm/m	125mm	25m	10 mm
					95+	2212 lm/m	884 lm/m			
	LN-H2835T-120	120pcs/m	24VDC	12 W/m	90+	1176 lm/m	470 lm/m	50mm	21m	10 mm
					95+	972 lm/m	388 lm/m			
Short Cut	FN-F2835A-120	120pcs/m	12VDC	43.2 W/m	90+	3844 lm/m	1537 lm/m	16.7mm	3.5m	10 mm
					95+	3190 lm/m	1276 lm/m			

Remark: 1. The tested data based on silver finish in 4000K, CRI 90+ light source. 2. LN-H2835T-80 is good for long run, but it will show light spot.



WALL MOUNTED SERIES

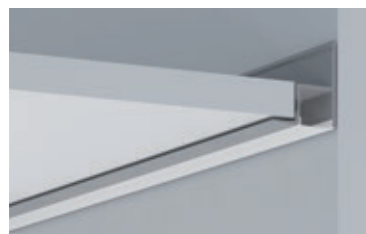
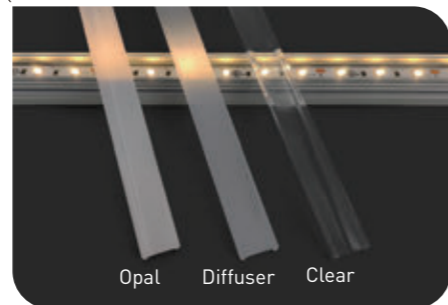
► SL453818



PROFILE COLORS



LENS



Installation: Wall Surface Mounted
 Length Available: 1-3m
 Profile Color: Silver, Black Anodized, White Powder Coating
 Lens: Opal, Diffuser, Clear
 Input Cable: Endcaps, Profile Bottom, Profile Sides
 Quick Female/Male Connectors Input cable & Junction Box available

WALL MOUNTED SERIES

► SL453818

ORDERING CODE

Luminaire	Finish	Lens	Vol.	Power	CRI	CCT	Input Cable	Connector	Wiring
SL453818	W White	D Diffuser	12 12VDC	14.40W/m	90 90+	22-2200K , 24-2400K , 25-2500K 27-2700K , 30-3000K , 35-3500K 40-4000K , 50-5000K , 65-6500K	01 - Black&Red 22AWG 02 - Black&White 22AWG 03 - White PU protected 2 pin 04 - 3Pin cable for Tunable white	A - AMP male/female M - Molex male/female D - DC male/female	B - Through profile back E - Through Endcaps S - Through profile side
	B Black	O Opal	24 24VDC	24.00W/m	95 95+	22-2200K , 25-2500K , 27-2700K 30-3000K , 35-3500K , 40-4000K 50-5000K , 65-6500K			
	S Silver	C Clear	36 36VDC	28.80W/m	TW	Tunable White - check your executive sales			
			48 48VDC	5.18W/m 6.00W/m 21.60W/m	D2W	Dim To Warm - check your executive sales			

RECOMMENDED LIGHT SOURCE

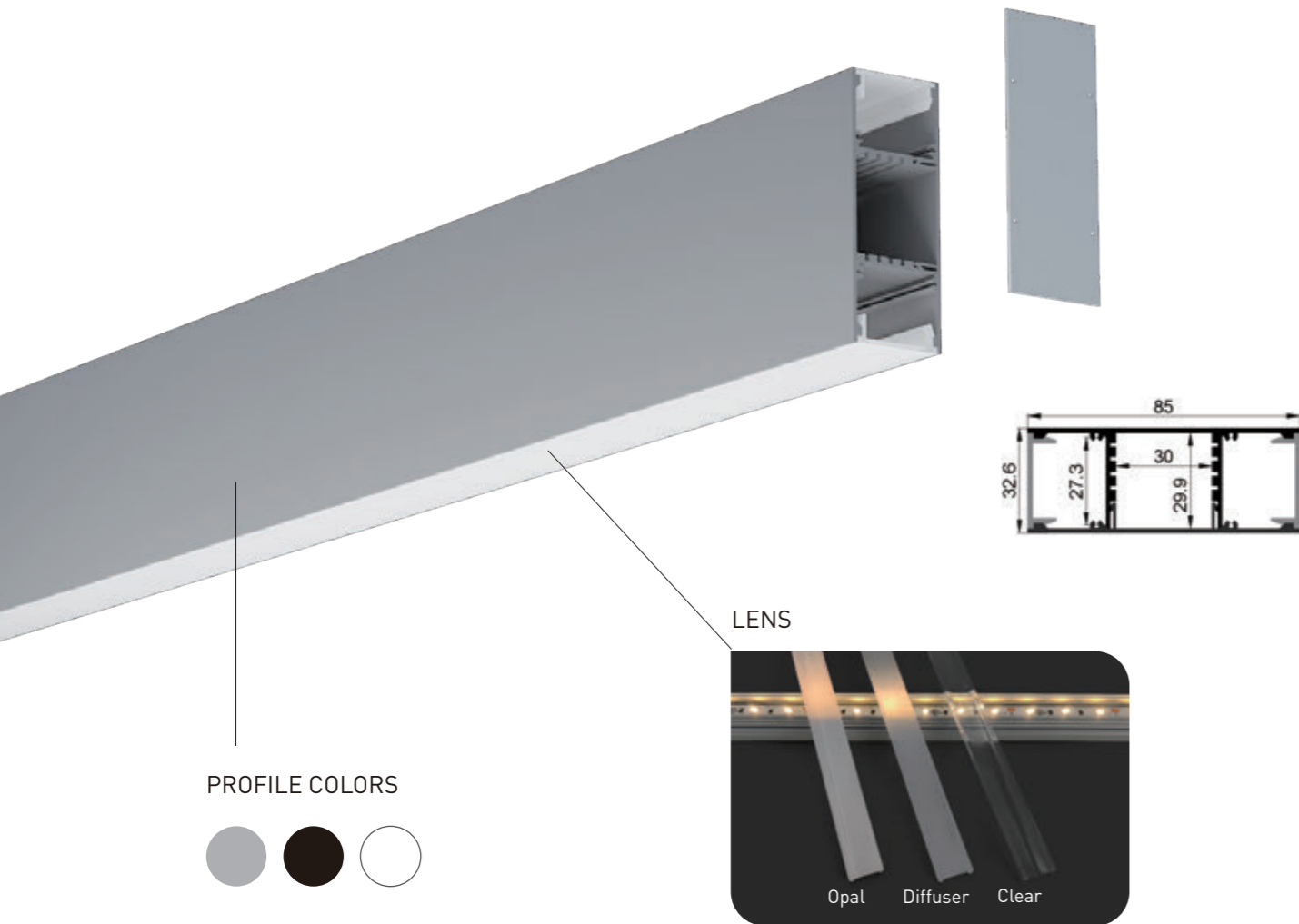
Performance	Part Code	Led Qty	Input Vol.	Power	CRI	Light Source Lumen	Diffuser Lens Lumen	Cuttable length	Max Run	Pcb Width
General	FN-2835T-120	120pcs/m	12/24VDC	14.40 W/m	90+	1512 lm/m	680lm/m	12V=25mm 24V=50mm	12V=5m 24V=9m	10 mm
					95+	1282 lm/m	577lm/m			
High Efficiency	FN-H2835T-128	128pcs/m	24VDC	11.52 W/m	90+	1613 lm/m	726lm/m	24V=62.5mm	24V=6m	10 mm
				95+	1475 lm/m	664lm/m				
	FN-H28350-160	160pcs/m	24VDC	24 W/m	90+	3480 lm/m	1739lm/m	50mm	3m	10 mm
	FN-H2835T-160	160pcs/m	24VDC	14.40 W/m	90+	1987 lm/m	894lm/m	24V=50mm	24V=5m	10 mm
			95+	1843 lm/m	829lm/m					
Long Run	FN-H28350-192	192pcs/m	24VDC	28.8 W/m	90+	4176 lm/m	2086lm/m	41.7mm	2.5m	10 mm
	LN-H2835T-80	80pcs/m	36VDC	5.18W/m	90+	580 lm/m	261lm/m	100mm	50m	10 mm
				95+	482 lm/m	217lm/m				
	LN-H2835T-112	112pcs/m	48VDC	11.52 W/m	90+	1336 lm/m	601lm/m	125mm	25m	10 mm
				95+	1106 lm/m	498lm/m				
	LN-H2835T-120	120pcs/m	24VDC	6.00 W/m	90+	588 lm/m	265lm/m	50mm	21m	10 mm
			95+	486 lm/m	219lm/m					
Short Cut	FN-F2835A-120	120pcs/m	12VDC	21.60 W/m	90+	1922 lm/m	865lm/m	16.7mm	3.5m	10 mm
					95+	1595 lm/m	718lm/m			

Remark: 1. The tested data based on silver finish in 4000K, CRI 90+ light source. 2. LN-H2835T-80 is good for long run, but it will show light spot.



WALL MOUNTED SERIES

► SL328527



PROFILE COLORS



Installation: Wall Surface Mounted
 Length Available: 1-3m
 Profile Color: Silver, Black Anodized, White Powder Coating
 Lens: Opal, Diffuser, Clear
 Input Cable: Endcaps, Profile Bottom, Profile Sides
 Quick Female/Male Connectors Input cable & Junction Box available

WALL MOUNTED SERIES

► SL328527

ORDERING CODE

Luminaire	Finish	Lens	Vol.	Power	CRI	CCT	Input Cable	Connector	Wiring
SL328527	W White	D Diffuser	12 12VDC	10.36 W/m	90 90+	22-2200K , 24-2400K , 25-2500K 27-2700K , 30-3000K , 35-3500K 40-4000K , 50-5000K , 65-6500K	01 - Black&Red 22AWG	A - AMP male/female	B - Through profile back
	B Black	O Opal	24 24VDC	23.04 W/m	95 95+	22-2200K , 25-2500K , 27-2700K 30-3000K , 35-3500K , 40-4000K 50-5000K , 65-6500K	02 - Black&White 22AWG	M - Molex male/female	E - Through Endcaps
	S Silver	C Clear	36 36VDC	28.80 W/m	TW	Tunable White - check your executive sales	03 - White PU protected 2 pin	D - DC male/female	S - Through profile side
			48 48VDC	43.20 W/m 48.00 W/m 57.60 W/m	D2W	Dim To Warm - check your executive sales	04 - 3Pin cable for Tunable white		

RECOMMENDED LIGHT SOURCE

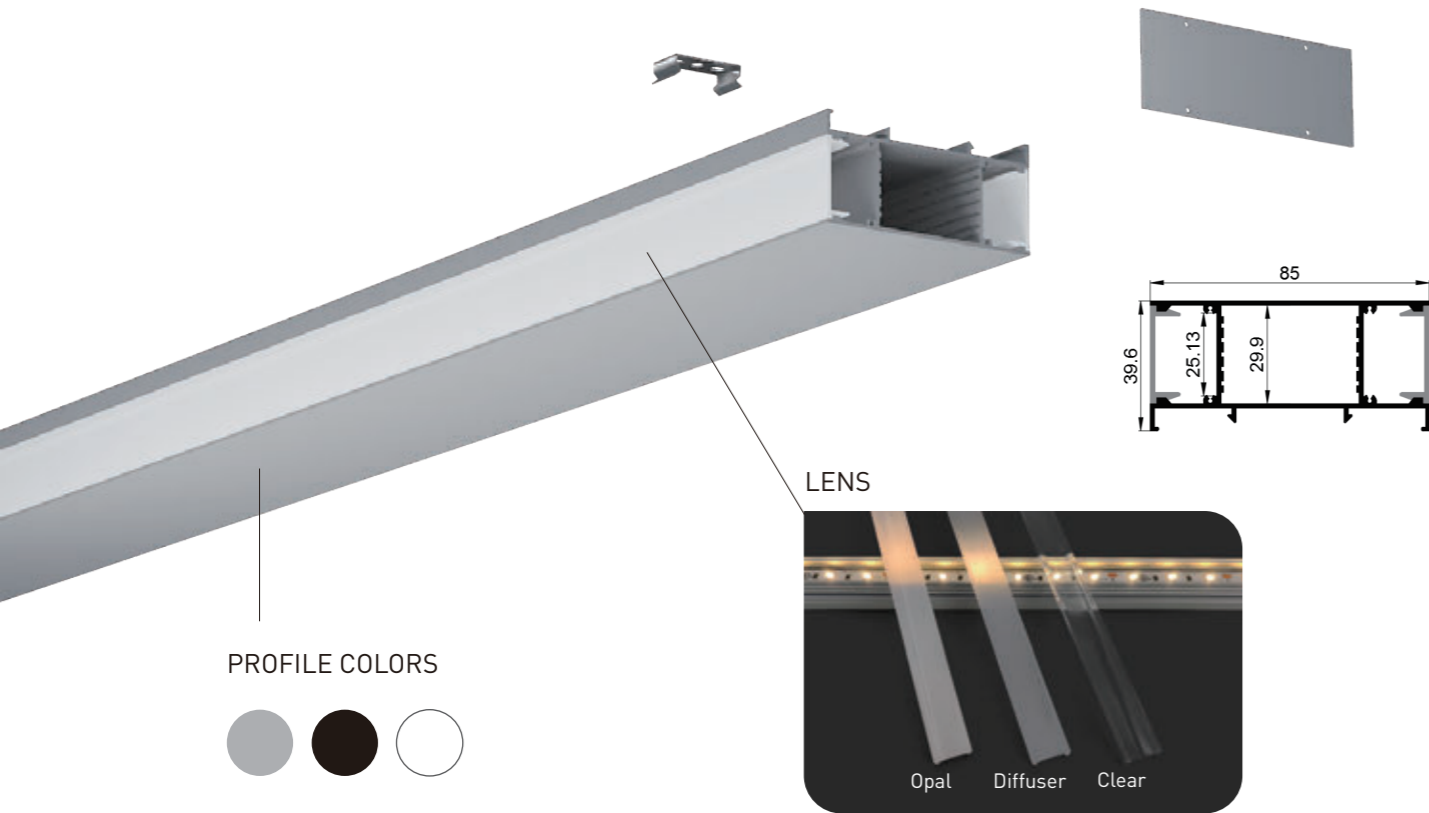
Performance	Part Code	Led Qty	Input Vol.	Power	CRI	Light Source Lumen	Diffuser Lens Lumen	Cuttable length	Max Run	Pcb Width				
General	FN-2835T-120	120pcs/m	12/24VDC	28.8 W/m	90+	3024 lm/m	1209 lm/m	12V=25mm 24V=50mm	12V=5m 24V=9m	10 mm				
					95+	2564 lm/m	1025 lm/m							
High Efficiency	FN-H2835T-128	128pcs/m	24VDC	23.04 W/m	90+	3226 lm/m	1290 lm/m	24V=62.5mm	24V=6m	10 mm				
					95+	2950 lm/m	1180 lm/m							
	FN-H28350-160	160pcs/m	24VDC	48 W/m	90+	7728 lm/m	3091 lm/m	50mm	3m	10 mm				
					FN-H2835T-160	160pcs/m	24VDC				28.8 W/m	90+	3974 lm/m	1589 lm/m
												95+	3686 lm/m	1474 lm/m
FN-H28350-192	192pcs/m	24VDC	57.6 W/m	90+	9272 lm/m	3708 lm/m	41.7mm	2.5m	10 mm					
Long Run	LN-H2835T-80	80pcs/m	36VDC	10.36W/m	90+	1160 lm/m	464 lm/m	100mm	50m	10 mm				
					95+	964 lm/m	385 lm/m							
	LN-H2835T-112	112pcs/m	48VDC	23.04 W/m	90+	2672 lm/m	1068 lm/m	125mm	25m	10 mm				
					95+	2212 lm/m	884 lm/m							
	LN-H2835T-120	120pcs/m	24VDC	12 W/m	90+	1176 lm/m	470 lm/m	50mm	21m	10 mm				
					95+	972 lm/m	388 lm/m							
Short Cut	FN-F2835A-120	120pcs/m	12VDC	43.2 W/m	90+	3844 lm/m	1537 lm/m	16.7mm	3.5m	10 mm				
					95+	3190 lm/m	1276 lm/m							

Remark: 1. The tested data based on silver finish in 4000K, CRI 90+ light source. 2. LN-H2835T-80 is good for long run, but it will show light spot.



WALL MOUNTED SERIES

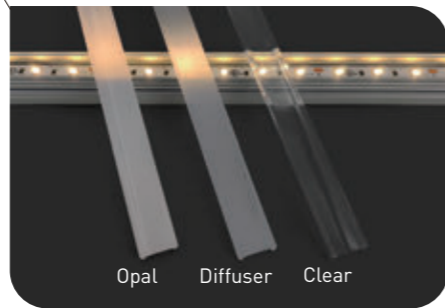
► SL408525



PROFILE COLORS



LENS



Installation: Wall Surface Mounted

Length Available: 1-3m

Profile Color: Silver, Black Anodized, White Powder Coating

Lens: Opal, Diffuser, Clear

Input Cable: Endcaps, Profile Bottom, Profile Sides

Quick Female/Male Connectors Input cable & Junction Box available

WALL MOUNTED SERIES

► SL408525

ORDERING CODE

Luminaire	Finish	Lens	Vol.	Power	CRI	CCT	Input Cable	Connector	Wiring
SL408525	W White	D Diffuser	12 12VDC	10.36 W/m	90 90+	22-2200K , 24-2400K , 25-2500K 27-2700K , 30-3000K , 35-3500K 40-4000K , 50-5000K , 65-6500K	01 - Black&Red 22AWG	A - AMP male/female	B - Through profile back
	B Black	O Opal	24 24VDC	23.04 W/m	95 95+	22-2200K , 25-2500K , 27-2700K 30-3000K , 35-3500K , 40-4000K 50-5000K , 65-6500K	02 - Black&White 22AWG	M - Molex male/female	E - Through Endcaps
	S Silver	C Clear	36 36VDC	28.80 W/m	TW	Tunable White - check your executive sales	03 - White PU protected 2 pin	D - DC male/female	S - Through profile side
			48 48VDC	43.20 W/m 48.00 W/m 57.60 W/m			04 - 3Pin cable for Tunable white		
					D2W	Dim To Warm - check your executive sales			

RECOMMENDED LIGHT SOURCE

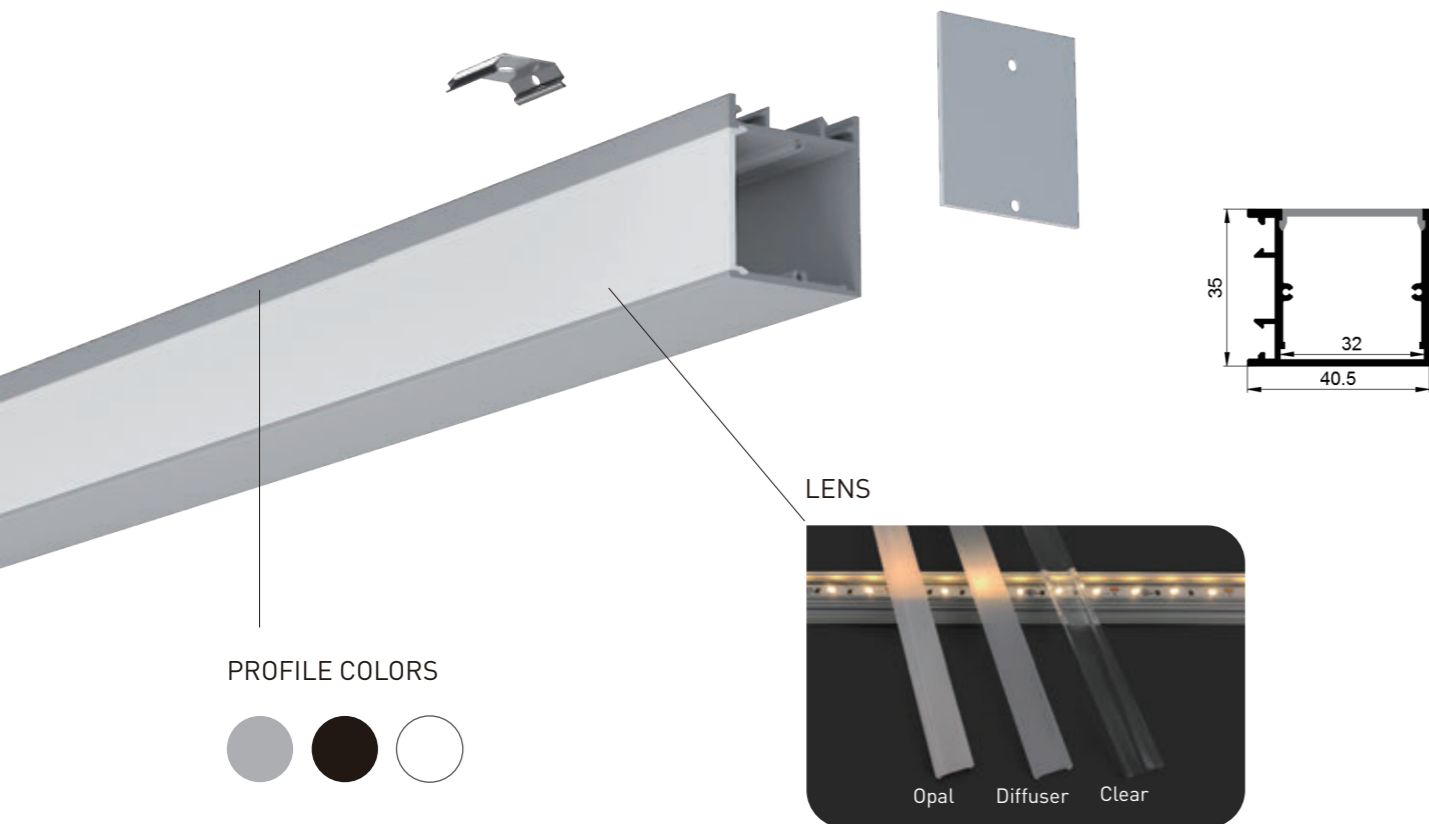
Performance	Part Code	Led Qty	Input Vol.	Power	CRI	Light Source Lumen	Diffuser Lens Lumen	Cuttable length	Max Run	Pcb Width
General	FN-2835T-120	120pcs/m	12/24VDC	28.8 W/m	90+	3024 lm/m	1209 lm/m	12V=25mm 24V=50mm	12V=5m 24V=9m	10 mm
					95+	2564 lm/m	1025 lm/m			
High Efficiency	FN-H2835T-128	128pcs/m	24VDC	23.04 W/m	90+	3226 lm/m	1290 lm/m	24V=62.5mm	24V=6m	10 mm
					95+	2950 lm/m	1180 lm/m			
	FN-H28350-160	160pcs/m	24VDC	48 W/m	90+	7728 lm/m	3091 lm/m	50mm	3m	10 mm
					95+	3974 lm/m	1589 lm/m	24V=50mm	24V=5m	10 mm
FN-H28350-192	192pcs/m	24VDC	57.6 W/m	90+	9272 lm/m	3708 lm/m	41.7mm	2.5m	10 mm	
				95+	3686 lm/m	1474 lm/m				
Long Run	LN-H2835T-80	80pcs/m	36VDC	10.36W/m	90+	1160 lm/m	464 lm/m	100mm	50m	10 mm
					95+	964 lm/m	385 lm/m			
	LN-H2835T-112	112pcs/m	48VDC	23.04 W/m	90+	2672 lm/m	1068 lm/m	125mm	25m	10 mm
					95+	2212 lm/m	884 lm/m			
	LN-H2835T-120	120pcs/m	24VDC	12 W/m	90+	1176 lm/m	470 lm/m	50mm	21m	10 mm
					95+	972 lm/m	388 lm/m			
Short Cut	FN-F2835A-120	120pcs/m	12VDC	43.2 W/m	90+	3844 lm/m	1537 lm/m	16.7mm	3.5m	10 mm
					95+	3190 lm/m	1276 lm/m			

Remark: 1. The tested data based on silver finish in 4000K, CRI 90+ light source. 2. LN-H2835T-80 is good for long run, but it will show light spot.



WALL MOUNTED SERIES

► SL423532



PROFILE COLORS



Installation: Wall Surface Mounted
 Length Available: 1-3m
 Profile Color: Silver, Black Anodized, White Powder Coating
 Lens: Opal, Diffuser, Clear
 Input Cable: Endcaps, Profile Bottom, Profile Sides
 Quick Female/Male Connectors Input cable & Junction Box available

WALL MOUNTED SERIES

► SL423532

ORDERING CODE

Luminaire	Finish	Lens	Vol.	Power	CRI	CCT	Input Cable	Connector	Wiring
SL423532	W White	D Diffuser	12 12VDC	2.40W/m	90 90+	22-2200K , 24-2400K , 25-2500K 27-2700K , 30-3000K , 35-3500K 40-4000K , 50-5000K , 65-6500K	01 - Black&Red 22AWG	A - AMP male/female	B - Through profile back
				5.04W/m					
				5.18W/m					
	B Black	O Opal	24 24VDC	5.18W/m	95 95+	22-2200K , 25-2500K , 27-2700K 30-3000K , 35-3500K , 40-4000K 50-5000K , 65-6500K	02 - Black&White 22AWG	M - Molex male/female	E - Through Endcaps
				5.76W/m					
				6.00W/m					
	S Silver	C Clear	36 36VDC	5.76W/m	TW	Tunable White - check your executive sales	03 - White PU protected 2 pin	D - DC male/female	S - Through profile side
				7.68W/m					
				11.52W/m					
				14.40W/m	D2W	Dim To Warm - check your executive sales	04 - 3Pin cable for Tunable white		
				21.60W/m					
				24.00W/m					
			28.80W/m						

RECOMMENDED LIGHT SOURCE

Performance	Part Code	Led Qty	Input Vol.	Power	CRI	Light Source Lumen	Diffuser Lens Lumen	Cutttable length	Max Run	Pcb Width	
General	FN-2835T-60	60pcs/m	12/24VDC	14.40 W/m	90+	1440 lm/m	648 lm/m	12V=25mm 24V=100mm	12V=5m 24V=9m	10 mm	
					95+	1238 lm/m	557 lm/m				
High Efficiency	FN-H2835T-64	64pcs/m	24VDC	7.68 W/m	90+	1029 lm/m	463 lm/m	125mm	5m	10 mm	
					95+	968 lm/m	436 lm/m				
	FN-H28350-80	80pcs/m	24VDC	14.40W/m	90+	2275 lm/m	1024 lm/m	100mm	4m	10 mm	
Long Run	LN-2835T-60	60pcs/m	24VDC	5.04 W/m	90+	499 lm/m	225 lm/m	100mm	21m	10mm	
					95+	413 lm/m	186 lm/m				
					2.4 W/m	90+	230 lm/m	104 lm/m	100mm	50m	10 mm
						95+	190 lm/m	86 lm/m			
	LN-2835T-56	56pcs/m	48VDC	5.76 W/m	90+	668 lm/m	301 lm/m	250mm	35m	10 mm	
					95+	553 lm/m	249 lm/m				
Short Cut	FN-F2835A-60	60pcs/m	12VDC	14.4 W/m	90+	1239 lm/m	531 lm/m	33.3mm	5.5m	10 mm	
					95+	979lm/m	441 lm/m				

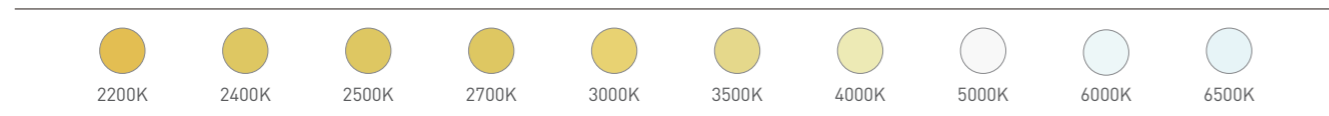
WALL MOUNTED SERIES

► SL423532

RECOMMENDED LIGHT SOURCE

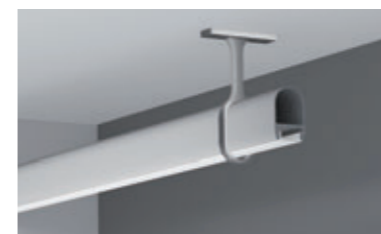
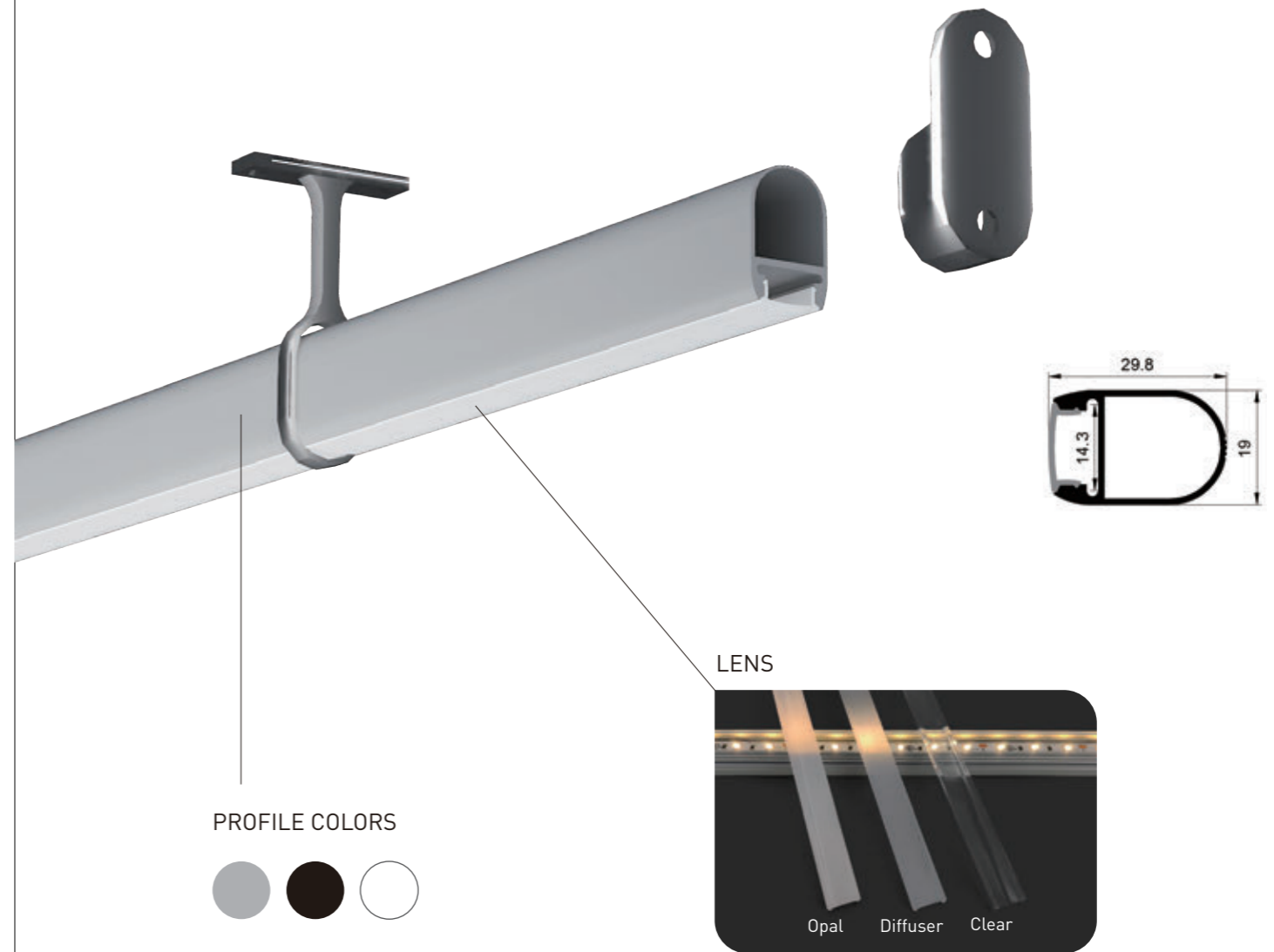
Performance	Part Code	Led Qty	Input Vol.	Power	CRI	Light Source Lumen	Diffuser Lens Lumen	Cutttable length	Max Run	Pcb Width
General	FN-2835T-120	120pcs/m	12/24VDC	14.40 W/m	90+	1512 lm/m	680 lm/m	12V=25mm 24V=50mm	12V=5m 24V=9m	10 mm
					95+	1282 lm/m	577 lm/m			
High Efficiency	FN-H2835T-128	128pcs/m	24VDC	11.52 W/m	90+	1613 lm/m	726 lm/m	24V=62.5mm	24V=6m	10 mm
				95+	1475 lm/m	664 lm/m				
	FN-H28350-160	160pcs/m	24VDC	24 W/m	90+	3480 lm/m	1739 lm/m	50mm	3m	10 mm
	FN-H2835T-160	160pcs/m	24VDC	14.40 W/m	90+	1987 lm/m	894 lm/m	24V=50mm	24V=5m	10 mm
				95+	1843 lm/m	829 lm/m				
FN-H28350-192	192pcs/m	24VDC	28.8 W/m	90+	4176 lm/m	2086 lm/m	41.7mm	2.5m	10 mm	
Long Run	LN-H2835T-80	80pcs/m	36VDC	5.18W/m	90+	580 lm/m	261 lm/m	100mm	50m	10 mm
					95+	482 lm/m	217 lm/m			
	LN-H2835T-112	112pcs/m	48VDC	11.52 W/m	90+	1336 lm/m	601 lm/m	125mm	25m	10 mm
					95+	1106 lm/m	498 lm/m			
	LN-H2835T-120	120pcs/m	24VDC	6.00 W/m	90+	588 lm/m	265 lm/m	50mm	21m	10 mm
					95+	486 lm/m	219 lm/m			
Short Cut	FN-F2835A-120	120pcs/m	12VDC	21.60 W/m	90+	1922 lm/m	865 lm/m	16.7mm	3.5m	10 mm
					95+	1595 lm/m	718 lm/m			

Remark: 1. The tested data based on silver finish in 4000K, CRI 90+ light source. 2. LN-H2835T-80 is good for long run, but it will show light spot.



CLOSET SERIES

► SL192914



Installation: Closet Hanging Bar
 Length Available: 1-3m
 Profile Color: Silver, Black Anodized, White Powder Coating
 Lens: Opal, Diffuser, Clear
 Input Cable: Endcaps, Profile Bottom, Profile Sides
 Quick Female/Male Connectors Input cable & Junction Box available

CLOSET SERIES

► SL192914

CLOSET SERIES

► SL192914

ORDERING CODE

Luminaire	Finish	Lens	Vol.	Power	CRI	CCT	Input Cable	Connector	Wiring
SL192914	W White	D Diffuser	12 12VDC	2.40W/m	90 90+	22-2200K , 24-2400K , 25-2500K 27-2700K , 30-3000K , 35-3500K 40-4000K , 50-5000K , 65-6500K	01 - Black&Red 22AWG	A - AMP male/female	B - Through profile back
				5.04W/m					
	B Black	O Opal	24 24VDC	5.18W/m	95 95+	22-2200K , 25-2500K , 27-2700K 30-3000K , 35-3500K , 40-4000K 50-5000K , 65-6500K	02 - Black&White 22AWG	M - Molex male/female	E - Through Endcaps
				5.76W/m					
	S Silver	C Clear	36 36VDC	6.00W/m	TW	Tunable White - check your executive sales	03 - White PU protected 2 pin	D - DC male/female	S - Through profile side
				7.68W/m					
	48 48VDC			11.52W/m	D2W	Dim To Warm - check your executive sales	04 - 3Pin cable for Tunable white		
				14.40W/m					
	21.60W/m			24.00W/m					
				28.80W/m					

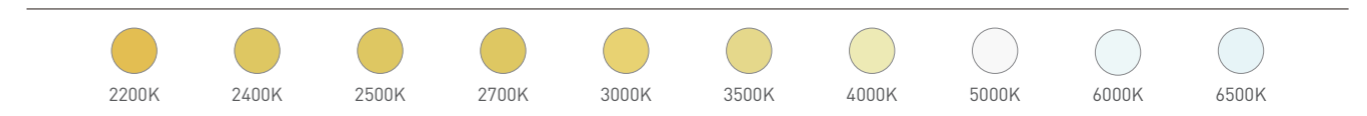
RECOMMENDED LIGHT SOURCE

Performance	Part Code	Led Qty	Input Vol.	Power	CRI	Light Source Lumen	Diffuser Lens Lumen	Cutttable length	Max Run	Pcb Width
General	FN-2835T-60	60pcs/m	12/24VDC	14.40 W/m	90+	1440 lm/m	648 lm/m	12V=25mm 24V=100mm	12V=5m 24V=9m	10 mm
					95+	1238 lm/m	557 lm/m			
High Efficiency	FN-H2835T-64	64pcs/m	24VDC	7.68 W/m	90+	1029 lm/m	463 lm/m	125mm	5m	10 mm
					95+	968 lm/m	436 lm/m			
	FN-H28350-80	80pcs/m	24VDC	14.40W/m	90+	2275 lm/m	1024 lm/m	100mm	4m	10 mm
Long Run	LN-2835T-60	60pcs/m	24VDC	5.04 W/m	90+	499 lm/m	225 lm/m	100mm	21m	10mm
					95+	413 lm/m	186 lm/m			
				2.4 W/m	90+	230 lm/m	104 lm/m	100mm	50m	10 mm
					95+	190 lm/m	86 lm/m			
LN-2835T-56	56pcs/m	48VDC	5.76 W/m	90+	668 lm/m	301 lm/m	250mm	35m	10 mm	
				95+	553 lm/m	249 lm/m				
Short Cut	FN-F2835A-60	60pcs/m	12VDC	14.4 W/m	90+	1239 lm/m	531 lm/m	33.3mm	5.5m	10 mm
					95+	979lm/m	441 lm/m			

RECOMMENDED LIGHT SOURCE

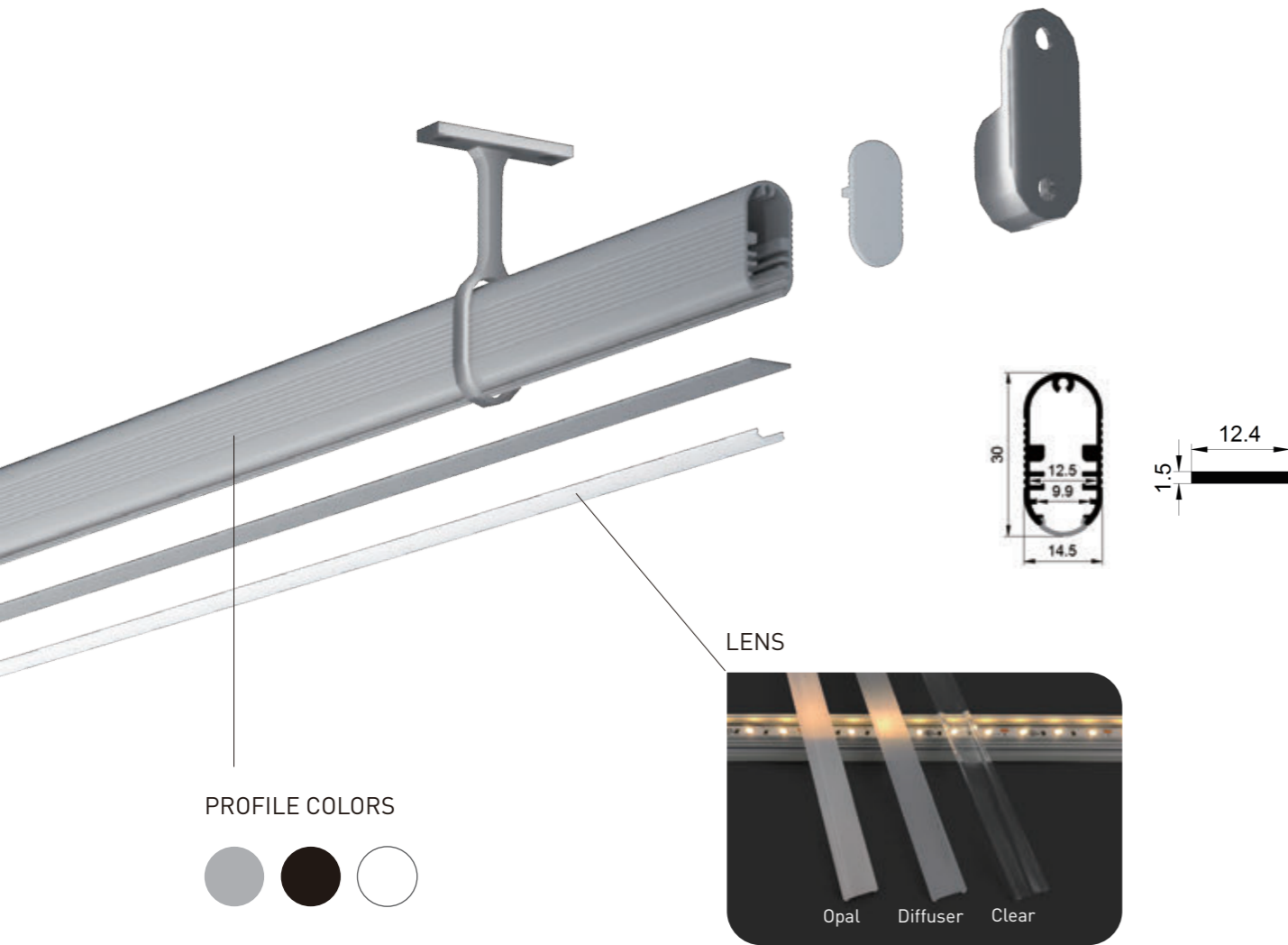
Performance	Part Code	Led Qty	Input Vol.	Power	CRI	Light Source Lumen	Diffuser Lens Lumen	Cutttable length	Max Run	Pcb Width							
General	FN-2835T-120	120pcs/m	12/24VDC	14.40 W/m	90+	1512 lm/m	680 lm/m	12V=25mm 24V=50mm	12V=5m 24V=9m	10 mm							
					95+	1282 lm/m	577 lm/m										
High Efficiency	FN-H2835T-128	128pcs/m	24VDC	11.52 W/m	90+	1613 lm/m	726 lm/m	24V=62.5mm	24V=6m	10 mm							
					95+	1475 lm/m	664 lm/m										
	FN-H28350-160	160pcs/m	24VDC	24 W/m	90+	3480 lm/m	1739 lm/m	50mm	3m	10 mm							
					FN-H2835T-160	160pcs/m	24VDC				14.40 W/m	90+	1987 lm/m	894 lm/m	24V=50mm	24V=5m	10 mm
												95+	1843 lm/m	829 lm/m			
FN-H28350-192	192pcs/m	24VDC	28.8 W/m	90+	4176 lm/m	2086 lm/m	41.7mm	2.5m	10 mm								
Long Run	LN-H2835T-80	80pcs/m	36VDC	5.18W/m	90+	580 lm/m	261 lm/m	100mm	50m	10 mm							
					95+	482 lm/m	217 lm/m										
	LN-H2835T-112	112pcs/m	48VDC	11.52 W/m	90+	1336 lm/m	601 lm/m	125mm	25m	10 mm							
					95+	1106 lm/m	498 lm/m										
	LN-H2835T-120	120pcs/m	24VDC	6.00 W/m	90+	588 lm/m	265 lm/m	50mm	21m	10 mm							
					95+	486 lm/m	219 lm/m										
Short Cut	FN-F2835A-120	120pcs/m	12VDC	21.60 W/m	90+	1922 lm/m	865 lm/m	16.7mm	3.5m	10 mm							
					95+	1595 lm/m	718 lm/m										

Remark: 1. The tested data based on siliver finish in 4000K, CRI 90+ light source. 2. LN-H2835T-80 is good for long run, but it will show light spot.



CLOSET SERIES

► SL152909



Installation: Closet Hanging Bar
 Length Available: 1-3m
 Profile Color: Silver, Black Anodized, White Powder Coating
 Lens: Opal, Diffuser, Clear
 Input Cable: Endcaps, Profile Bottom, Profile Sides
 Quick Female/Male Connectors Input cable & Junction Box available

CLOSET SERIES

► SL152909

ORDERING CODE

Luminaire	Finish	Lens	Vol.	Power	CRI	CCT	Input Cable	Connector	Wiring
SL152909	W White	D Diffuser	12 12VDC	5.18W/m	90 90+	22-2200K , 24-2400K , 25-2500K 27-2700K , 30-3000K , 35-3500K 40-4000K , 50-5000K , 65-6500K	01 - Black&Red 22AWG 02 - Black&White 22AWG 03 - White PU protected 2 pin 04 - 3Pin cable for Tunable white	A - AMP male/female M - Molex male/female D - DC male/female	B - Through profile back E - Through Endcaps S - Through profile side
	B Black	O Opal	24 24VDC	11.52W/m	95 95+	22-2200K , 25-2500K , 27-2700K 30-3000K , 35-3500K , 40-4000K 50-5000K , 65-6500K			
	S Silver	C Clear	36 36VDC	14.40W/m	TW	Tunable White - check your executive sales			
			48 48VDC	21.60W/m 24.00W/m 28.80W/m	D2W	Dim To Warm - check your executive sales			

RECOMMENDED LIGHT SOURCE

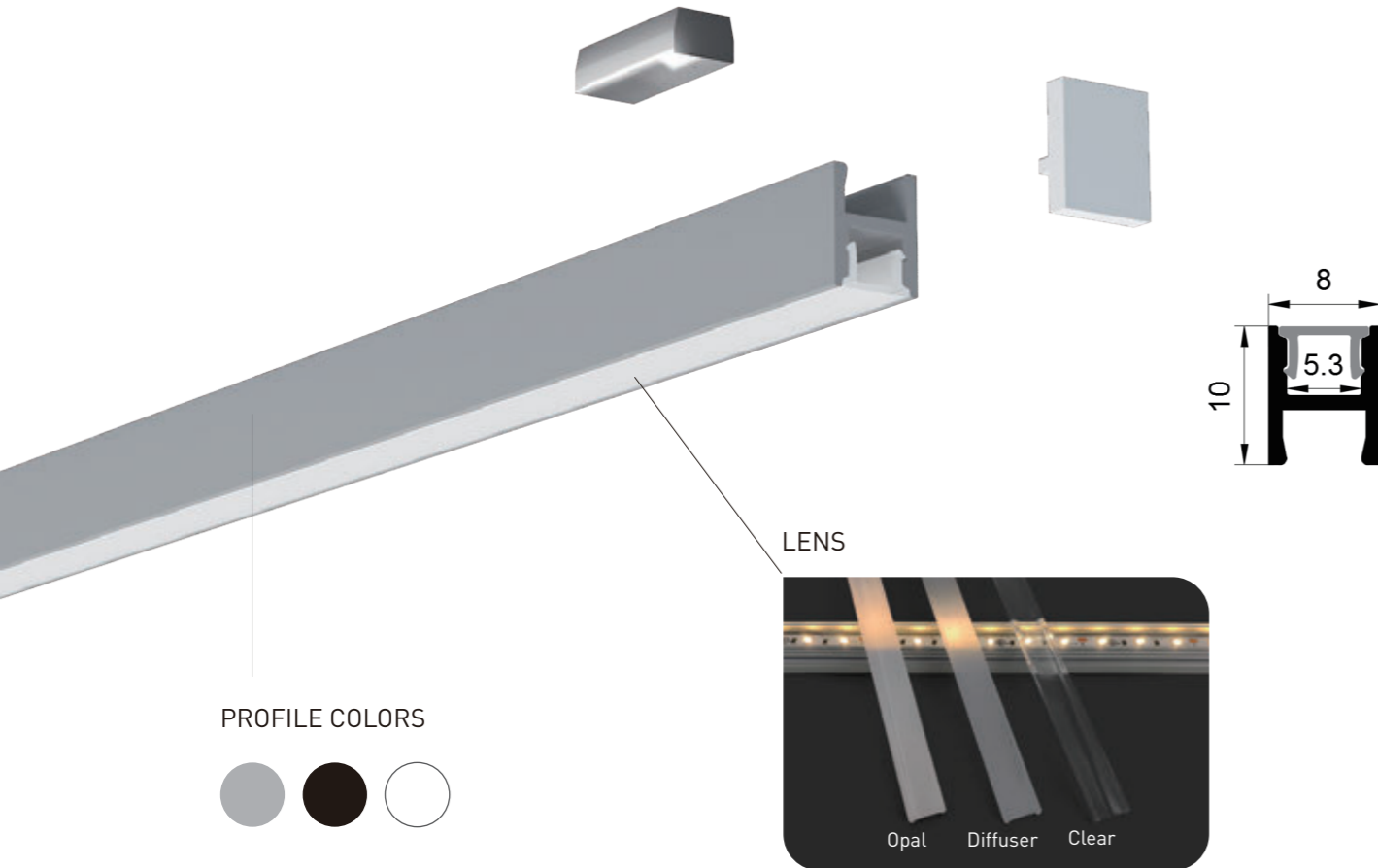
Performance	Part Code	Led Qty	Input Vol.	Power	CRI	Light Source Lumen	Diffuser Lens Lumen	Cuttable length	Max Run	Pcb Width
General	FN-2835T-120	120pcs/m	12/24VDC	14.40 W/m	90+	1512 lm/m	680 lm/m	12V=25mm 24V=50mm	12V=5m 24V=9m	10 mm
					95+	1282 lm/m	577 lm/m			
High Efficiency	FN-H2835T-128	128pcs/m	24VDC	11.52 W/m	90+	1613 lm/m	726 lm/m	24V=62.5mm	24V=6m	10 mm
					95+	1475 lm/m	664 lm/m			
	FN-H28350-160	160pcs/m	24VDC	24 W/m	90+	3480 lm/m	1739 lm/m	50mm	3m	10 mm
					95+	1987 lm/m	894 lm/m			
	FN-H2835T-160	160pcs/m	24VDC	14.40 W/m	90+	1843 lm/m	829 lm/m	24V=50mm	24V=5m	10 mm
FN-H28350-192	192pcs/m	24VDC	28.8 W/m	90+	4176 lm/m	2086 lm/m	41.7mm	2.5m	10 mm	
Long Run	LN-H2835T-80	80pcs/m	36VDC	5.18W/m	90+	580 lm/m	261 lm/m	100mm	50m	10 mm
					95+	482 lm/m	217 lm/m			
	LN-H2835T-112	112pcs/m	48VDC	11.52 W/m	90+	1336 lm/m	601 lm/m	125mm	25m	10 mm
					95+	1106 lm/m	498 lm/m			
	LN-H2835T-120	120pcs/m	24VDC	6.00 W/m	90+	588 lm/m	265 lm/m	50mm	21m	10 mm
					95+	486 lm/m	219 lm/m			
Short Cut	FN-F2835A-120	120pcs/m	12VDC	21.60 W/m	90+	1922 lm/m	865 lm/m	16.7mm	3.5m	10 mm
					95+	1595 lm/m	718 lm/m			

Remark: 1. The tested data based on silver finish in 4000K, CRI 90+ light source. 2. LN-H2835T-80 is good for long run, but it will show light spot.



MAGNETIC SURFACE MOUNTED SERIES

► SL081005



MAGNETIC SURFACE MOUNTED SERIES

► SL081005

ORDERING CODE

Luminaire	Finish	Lens	Vol.	Power	CRI	CCT	Input Cable	Connector	Wiring
SL081005	W White	D Diffuser	12 12VDC	4.8W/m	90	22-2200K , 24-2400K , 25-2500K	01 - Black&Red 22AWG	A - AMP male/female	B - Through profile back
	B Black	O Opal	24 24VDC	9.6W/m	90+	27-2700K , 30-3000K , 35-3500K 40-4000K , 50-5000K , 65-6500K			
	S Silver	C Clear		12.24W/m	95	22-2200K , 25-2500K , 27-2700K	02 - Black&White 22AWG	M - Molex male/female	E - Through Endcaps
				28.8W/m	95+	30-3000K , 35-3500K , 40-4000K 50-5000K , 65-6500K	03 - White PU protected 2 pin	D - DC male/female	S - Through profile side
					TW	Tunable White - check your executive sales	04 - 3Pin cable for Tunable white		
					D2W	Dim To Warm - check your executive sales			

RECOMMENDED LIGHT SOURCE

Part Code	Led Qty	Input Vol.	Power	CRI	Light Source Lumen	Diffuser Lens Lumen	Cutttable length	Max Run	Pcb Width
MN-2835A-60	60pcs/m	12/24VDC	4.8 W/m	90+	478 lm/m	186 lm/m	12V=25mm 24V=100mm	12V=3m 24V=5m	5 mm
				95+	397 lm/m	155 lm/m			
MN-2835A-120	120pcs/m	12/24VDC	9.6 W/m	90+	956 lm/m	373 lm/m	12V=25mm 24V=50mm	12V=1.5m 24V=3m	4 mm
				95+	793 lm/m	309 lm/m			
MN-2110-238	238pcs/m	24VDC	12.24 W/m	90+	1126 lm/m	439 lm/m	29.4mm	2m	4 mm
				95+	935 lm/m	364 lm/m			
MN-5630A-60	60pcs/m	24VDC	28.8 W/m	90+	1900 lm/m	741 lm/m	100mm	2m	6 mm
				95+	1577 lm/m	615 lm/m			

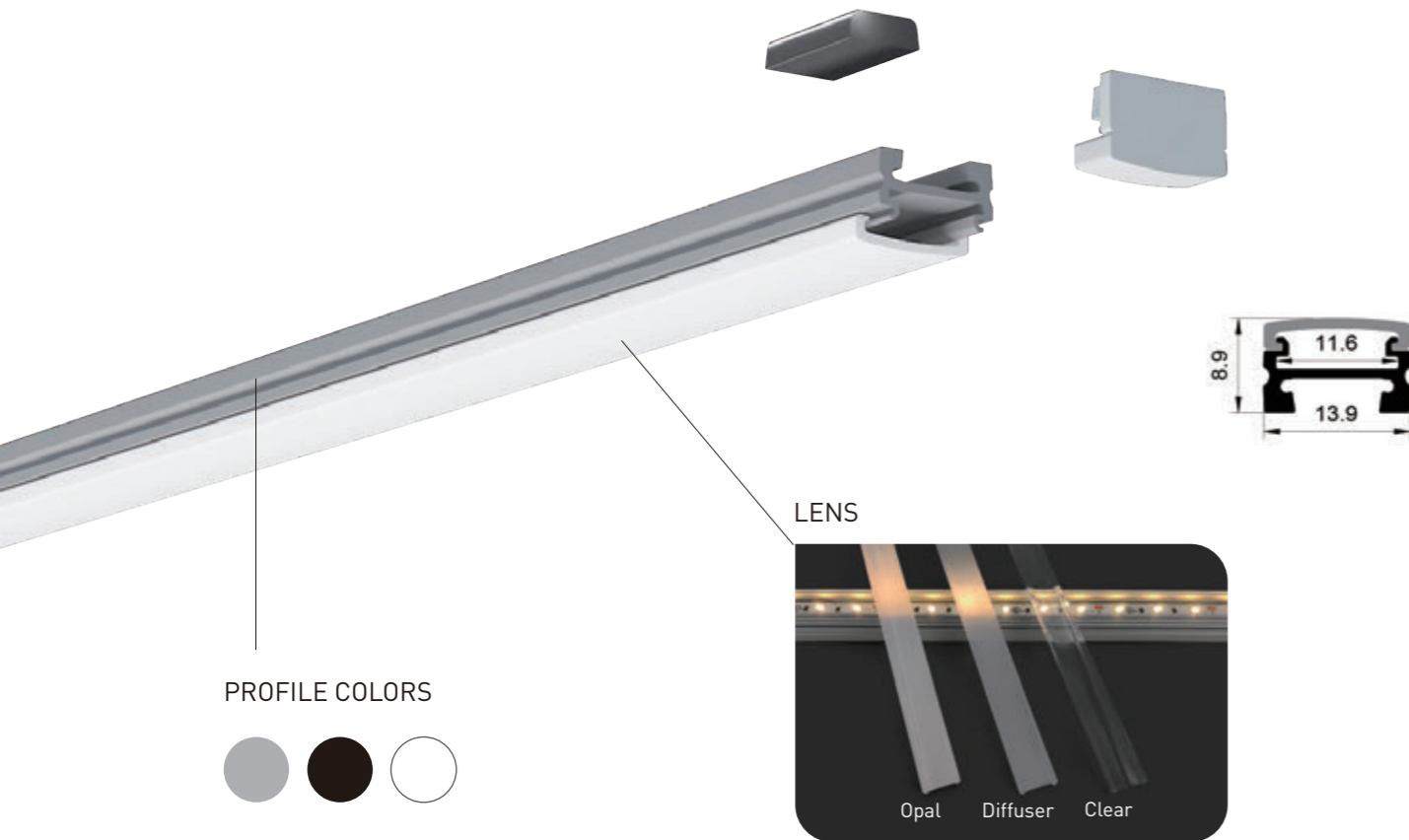
Remark: The tested data based on silver finish in 4000K, CRI 90+ light source.



Installation: Magnetic Surface Mounted
 Length Available: 1-3m
 Profile Color: Silver, Black Anodized, White Powder Coating
 Lens: Opal, Diffuser, Clear
 Input Cable: Endcaps, Profile Bottom, Profile Sides
 Quick Female/Male Connectors Input cable & Junction Box available

MAGNETIC SURFACE MOUNTED SERIES

► SL140811



MAGNETIC SURFACE MOUNTED SERIES

► SL140811

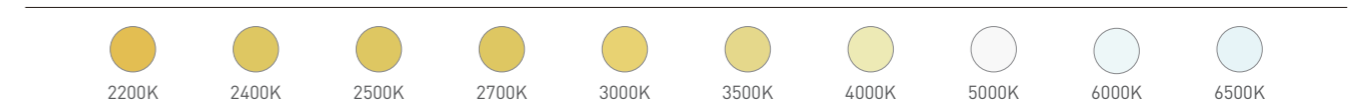
ORDERING CODE

Luminaire	Finish	Lens	Vol.	Power	CRI	CCT	Input Cable	Connector	Wiring
SL140811	W White	D Diffuser	24 24VDC	16.42W/m	90 90+	22-2200K , 24-2400K 25-2500K , 27-2700K 30-3000K , 35-3500K 40-4000K , 50-5000K 65-6500K	01 - Black&Red 22AWG	A - AMP male/female	B - Through profile back
	B Black	O Opal					02 - Black&White 22AWG	M - Molex male/female	E - Through Endcaps
	S Silver	C Clear					03 - White PU protected 2 pin	D - DC male/female	S - Through profile side
					TW	Tunable White - check your executive sales			
					D2W	Dim To Warm - check your executive sales	04 - 3Pin cable for Tunable white		

RECOMMENDED LIGHT SOURCE

Performance	Part Code	Led Qty	Input Vol.	Power	CRI	Light Source Lumen	Diffuser Lens Lumen	Cuttable length	Max Run	Pcb Width
General	FN-2016-266	266pcs/m	24VDC	16.42W/m	90+	1700 lm/m	765 lm/m	26.3mm	3m	10mm

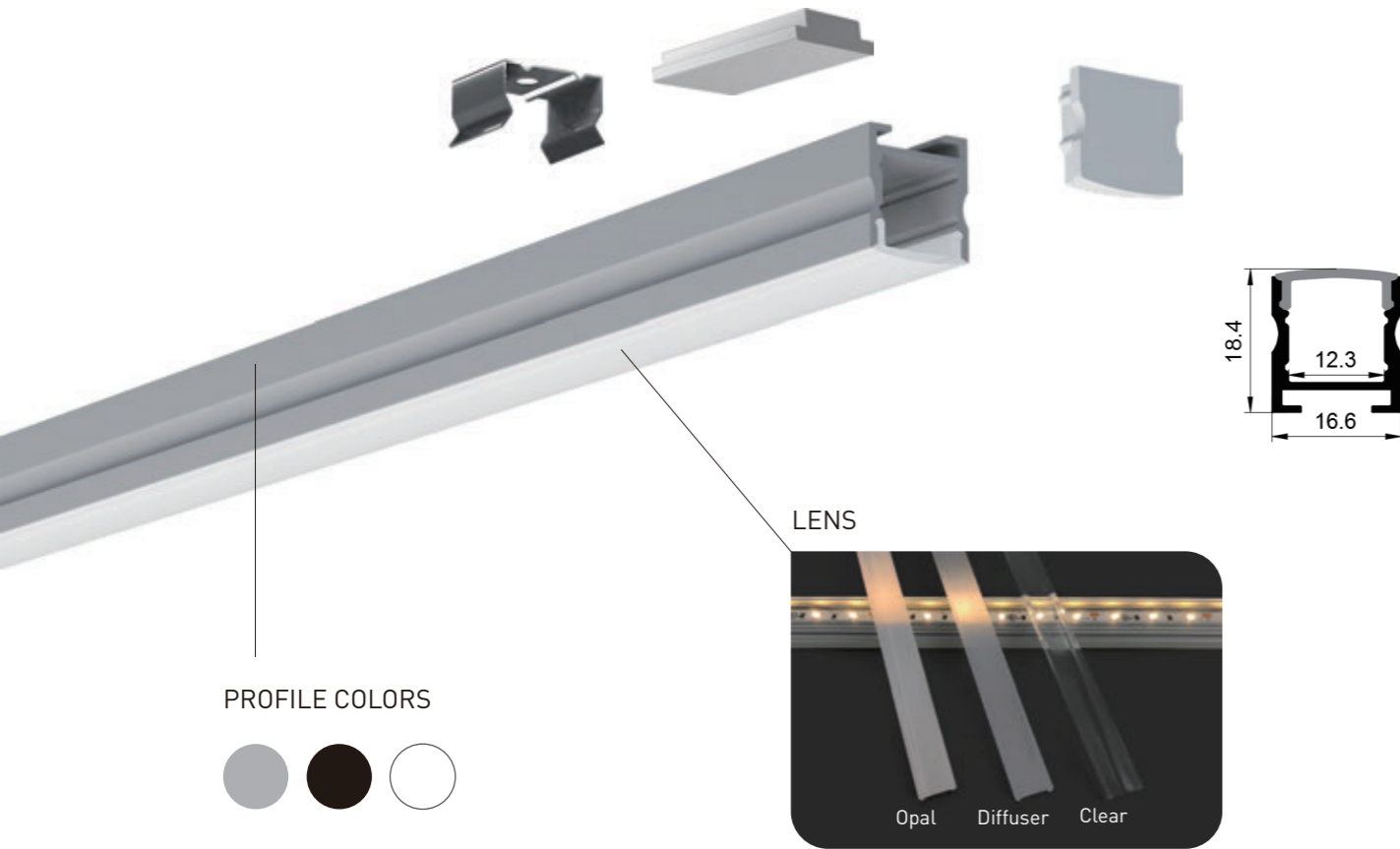
Remark: The tested data based on silver finish in 4000K, CRI 90+ light source.



Installation: Magnetic Surface Mounted
 Length Available: 1-3m
 Profile Color: Silver, Black Anodized, White Powder Coating
 Lens: Opal, Diffuser, Clear
 Input Cable: Endcaps, Profile Bottom, Profile Sides
 Quick Female/Male Connectors Input cable & Junction Box available

MAGNETIC SURFACE MOUNTED SERIES

► SL171812



ACCESSORIES



Rotating Bracket



Installation: Magnetic Surface Mounted
 Length Available: 1-3m
 Profile Color: Silver, Black Anodized, White Powder Coating
 Lens: Opal, Diffuser, Clear
 Input Cable: Endcaps, Profile Bottom, Profile Sides
 Quick Female/Male Connectors Input cable & Junction Box available

MAGNETIC SURFACE MOUNTED SERIES

► SL171812

ORDERING CODE

Luminaire	Finish	Lens	Vol.	Power	CRI	CCT	Input Cable	Connector	Wiring
SL171812	W White	D Diffuser	12 12VDC	5.18W/m	90 90+	22-2200K , 24-2400K , 25-2500K 27-2700K , 30-3000K , 35-3500K 40-4000K , 50-5000K , 65-6500K	01 - Black&Red 22AWG 02 - Black&White 22AWG 03 - White PU protected 2 pin 04 - 3Pin cable for Tunable white	A - AMP male/female M - Molex male/female D - DC male/female	B - Through profile back E - Through Endcaps S - Through profile side
	B Black	O Opal	24 24VDC	11.52W/m	95 95+	22-2200K , 25-2500K , 27-2700K 30-3000K , 35-3500K , 40-4000K 50-5000K , 65-6500K			
	S Silver	C Clear	36 36VDC	14.40W/m	TW	Tunable White - check your executive sales			
			48 48VDC	21.60W/m 24.00W/m 28.80W/m	D2W	Dim To Warm - check your executive sales			

RECOMMENDED LIGHT SOURCE

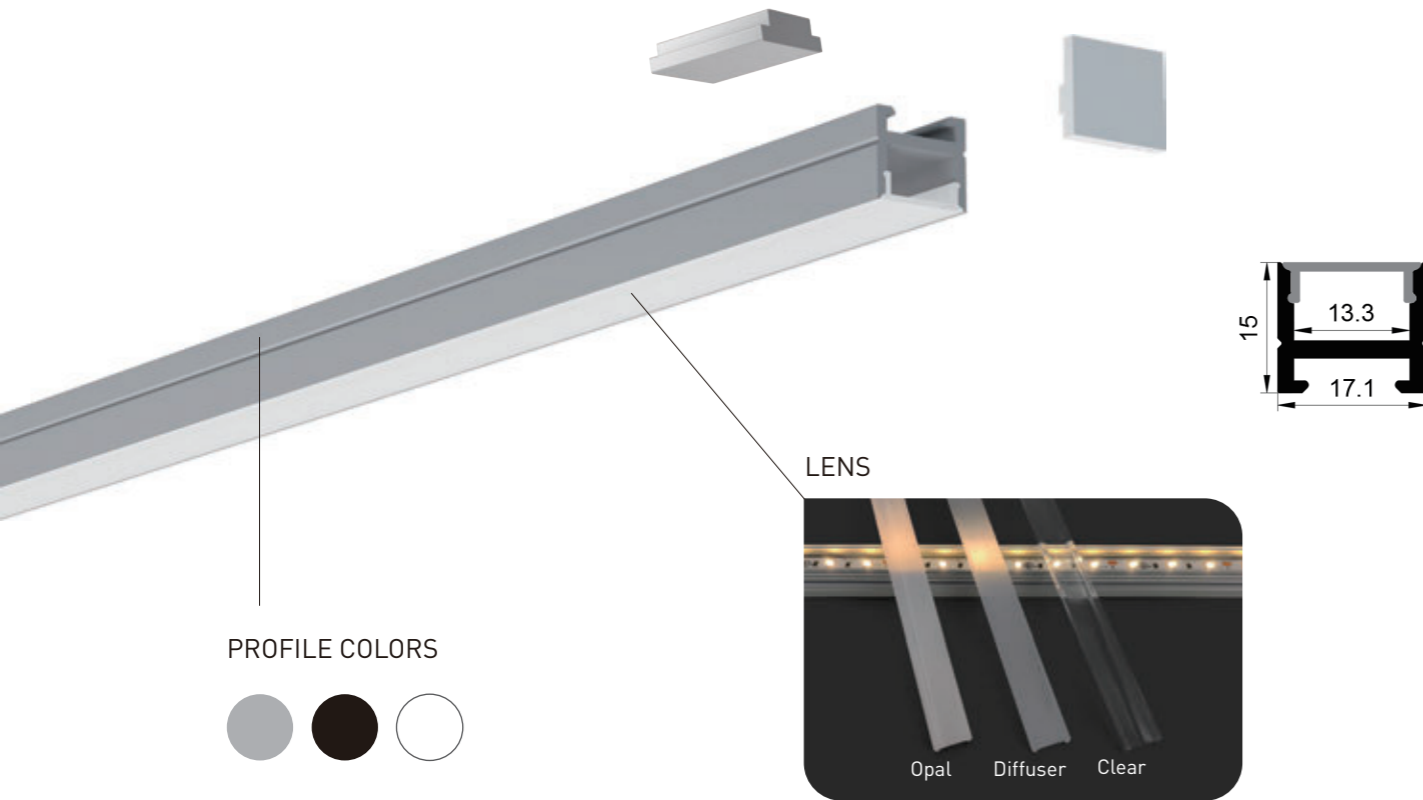
Performance	Part Code	Led Qty	Input Vol.	Power	CRI	Light Source Lumen	Diffuser Lens Lumen	Cuttable length	Max Run	Pcb Width
General	FN-2835T-120	120pcs/m	12/24VDC	14.40 W/m	90+	1512 lm/m	680lm/m	12V=25mm 24V=50mm	12V=5m 24V=9m	10 mm
					95+	1282 lm/m	577lm/m			
High Efficiency	FN-H2835T-128	128pcs/m	24VDC	11.52 W/m	90+	1613 lm/m	726lm/m	24V=62.5mm	24V=6m	10 mm
					95+	1475 lm/m	664lm/m			
	FN-H28350-160	160pcs/m	24VDC	24 W/m	90+	3480 lm/m	1739lm/m	50mm	3m	10 mm
					90+	1987 lm/m	894lm/m			
						95+	1843 lm/m			
FN-H28350-192	192pcs/m	24VDC	28.8 W/m	90+	4176 lm/m	2086lm/m	41.7mm	2.5m	10 mm	
Long Run	LN-H2835T-80	80pcs/m	36VDC	5.18W/m	90+	580 lm/m	261lm/m	100mm	50m	10 mm
					95+	482 lm/m	217lm/m			
	LN-H2835T-112	112pcs/m	48VDC	11.52 W/m	90+	1336 lm/m	601lm/m	125mm	25m	10 mm
					95+	1106 lm/m	498lm/m			
	LN-H2835T-120	120pcs/m	24VDC	6.00 W/m	90+	588 lm/m	265lm/m	50mm	21m	10 mm
					95+	486 lm/m	219lm/m			
Short Cut	FN-F2835A-120	120pcs/m	12VDC	21.60 W/m	90+	1922 lm/m	865lm/m	16.7mm	3.5m	10 mm
					95+	1595 lm/m	718lm/m			

Remark: 1. The tested data based on silver finish in 4000K, CRI 90+ light source. 2. LN-H2835T-80 is good for long run, but it will show light spot.



MAGNETIC SURFACE MOUNTED SERIES

► SL1716B13



ACCESSORIES



Rotating Bracket



Installation: Magnetic Surface Mounted
 Length Available: 1-3m
 Profile Color: Silver, Black Anodized, White Powder Coating
 Lens: Opal, Diffuser, Clear
 Input Cable: Endcaps, Profile Bottom, Profile Sides
 Quick Female/Male Connectors Input cable & Junction Box available

MAGNETIC SURFACE MOUNTED SERIES

► SL1716B13

ORDERING CODE

Luminaire	Finish	Lens	Vol.	Power	CRI	CCT	Input Cable	Connector	Wiring
SL171813	W White	D Diffuser	12 12VDC	5.18W/m	90 90+	22-2200K , 24-2400K , 25-2500K 27-2700K , 30-3000K , 35-3500K 40-4000K , 50-5000K , 65-6500K	01 - Black&Red 22AWG 02 - Black&White 22AWG 03 - White PU protected 2 pin 04 - 3Pin cable for Tunable white	A - AMP male/female M - Molex male/female D - DC male/female	B - Through profile back E - Through Endcaps S - Through profile side
	B Black	O Opal	24 24VDC	11.52W/m	95 95+	22-2200K , 25-2500K , 27-2700K 30-3000K , 35-3500K , 40-4000K 50-5000K , 65-6500K			
	S Silver	C Clear	36 36VDC	14.40W/m	TW	Tunable White - check your executive sales			
			48 48VDC	21.60W/m 24.00W/m 28.80W/m	D2W	Dim To Warm - check your executive sales			

RECOMMENDED LIGHT SOURCE

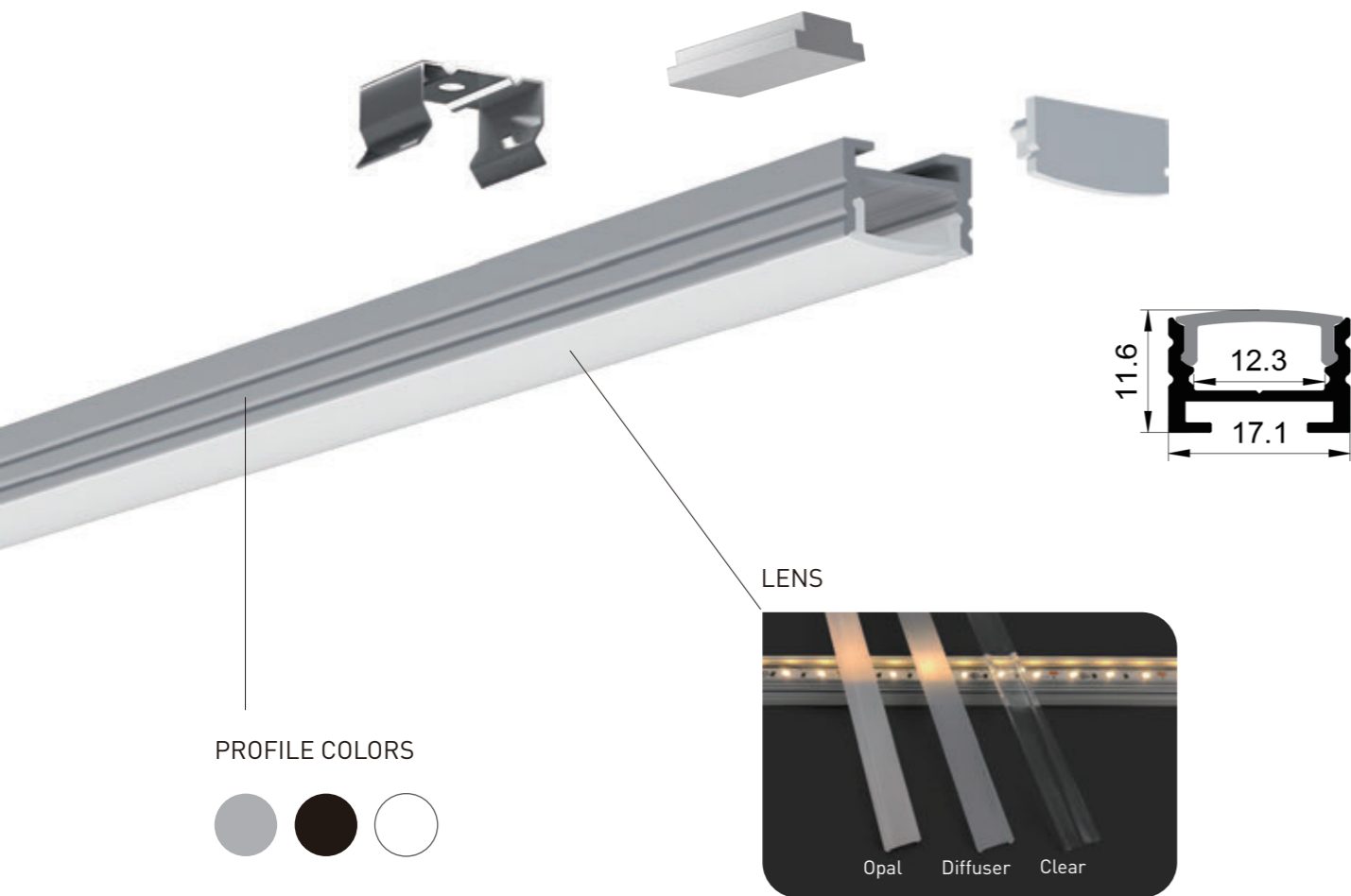
Performance	Part Code	Led Qty	Input Vol.	Power	CRI	Light Source Lumen	Diffuser Lens Lumen	Cuttable length	Max Run	Pcb Width
General	FN-2835T-120	120pcs/m	12/24VDC	14.40 W/m	90+	1512 lm/m	680lm/m	12V=25mm 24V=50mm	12V=5m 24V=9m	10 mm
					95+	1282 lm/m	577lm/m			
High Efficiency	FN-H2835T-128	128pcs/m	24VDC	11.52 W/m	90+	1613 lm/m	726lm/m	24V=62.5mm	24V=6m	10 mm
					95+	1475 lm/m	664lm/m			
	FN-H28350-160	160pcs/m	24VDC	24 W/m	90+	3480 lm/m	1739lm/m	50mm	3m	10 mm
					95+	1987 lm/m	894lm/m			
FN-H2835T-160	160pcs/m	24VDC	14.40 W/m	90+	1843 lm/m	829lm/m	24V=50mm	24V=5m	10 mm	
				95+	1843 lm/m	829lm/m				
FN-H28350-192	192pcs/m	24VDC	28.8 W/m	90+	4176 lm/m	2086lm/m	41.7mm	2.5m	10 mm	
				95+	4176 lm/m	2086lm/m				
Long Run	LN-H2835T-80	80pcs/m	36VDC	5.18W/m	90+	580 lm/m	261lm/m	100mm	50m	10 mm
					95+	482 lm/m	217lm/m			
	LN-H2835T-112	112pcs/m	48VDC	11.52 W/m	90+	1336 lm/m	601lm/m	125mm	25m	10 mm
95+					1106 lm/m	498lm/m				
LN-H2835T-120	120pcs/m	24VDC	6.00 W/m	90+	588 lm/m	265lm/m	50mm	21m	10 mm	
				95+	486 lm/m	219lm/m				
Short Cut	FN-F2835A-120	120pcs/m	12VDC	21.60 W/m	90+	1922 lm/m	865lm/m	16.7mm	3.5m	10 mm
					95+	1595 lm/m	718lm/m			

Remark: 1. The tested data based on silver finish in 4000K, CRI 90+ light source. 2. LN-H2835T-80 is good for long run, but it will show light spot.



MAGNETIC SURFACE MOUNTED SERIES

► SL171212



MAGNETIC SURFACE MOUNTED SERIES

► SL171212

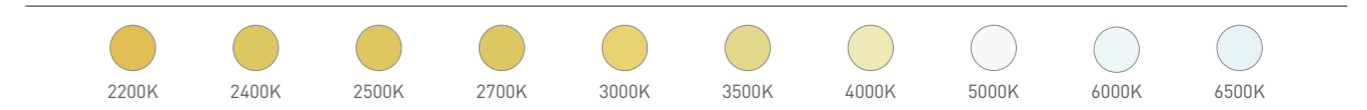
ORDERING CODE

Luminaire	Finish	Lens	Vol.	Power	CRI	CCT	Input Cable	Connector	Wiring
SL171212	W White	D Diffuser	24 24VDC	16.42W/m	90 90+	22-2200K , 24-2400K 25-2500K , 27-2700K 30-3000K , 35-3500K 40-4000K , 50-5000K 65-6500K	01 - Black&Red 22AWG	A - AMP male/female	B - Through profile back
	B Black	O Opal					02 - Black&White 22AWG	M - Molex male/female	E - Through Endcaps
	S Silver	C Clear					03 - White PU protected 2 pin	D - DC male/female	S - Through profile side
					TW	Tunable White - check your executive sales			
					D2W	Dim To Warm - check your executive sales	04 - 3Pin cable for Tunable white		

RECOMMENDED LIGHT SOURCE

Performance	Part Code	Led Qty	Input Vol.	Power	CRI	Light Source Lumen	Diffuser Lens Lumen	Cuttable length	Max Run	Pcb Width
General	FN-2016-266	266pcs/m	24VDC	16.42W/m	90+	1700 lm/m	765 lm/m	26.3mm	3m	10mm

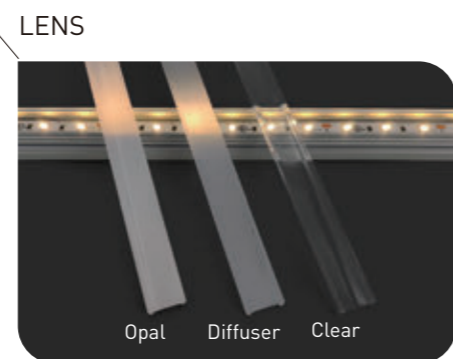
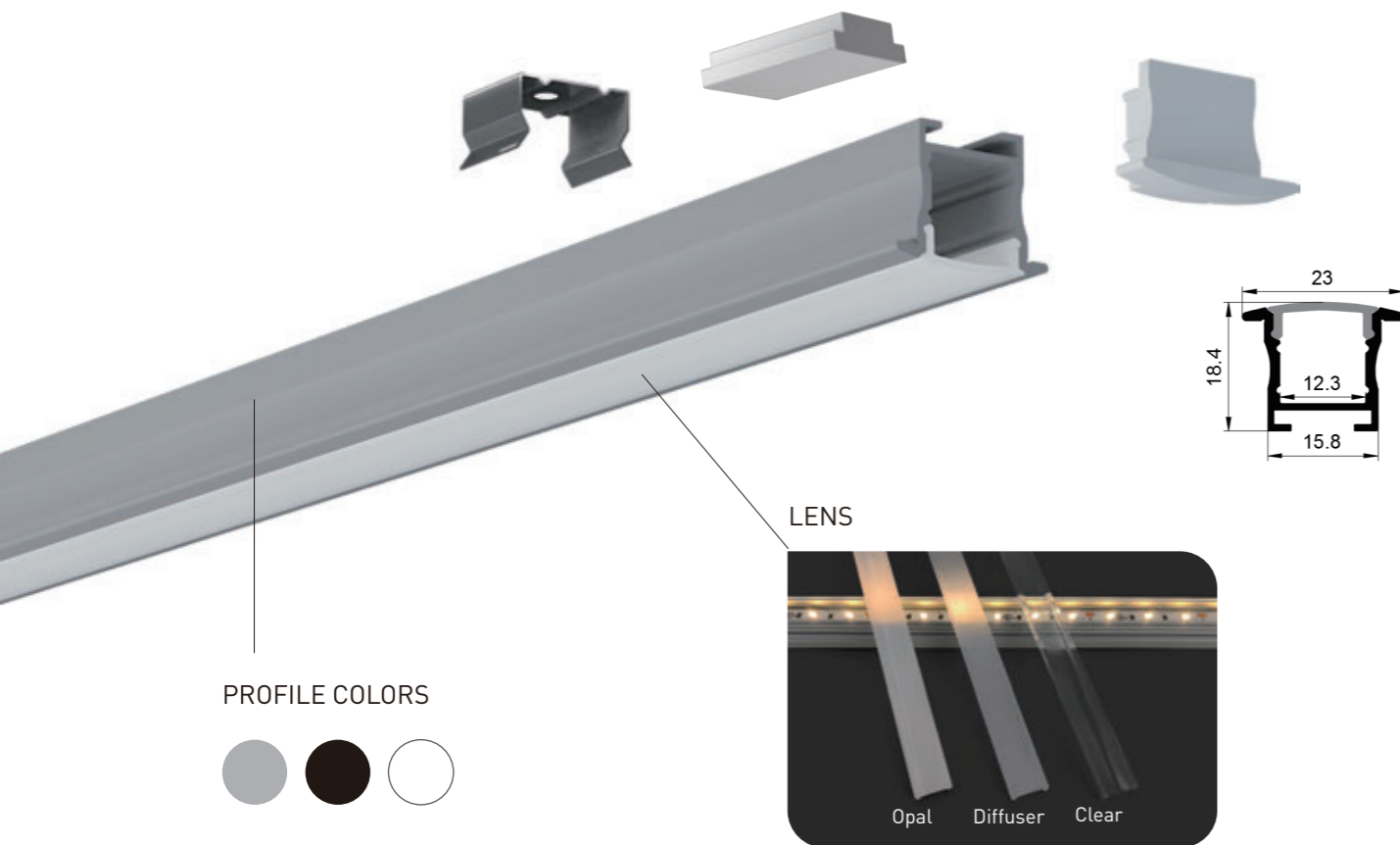
Remark:The tested data based on silver finish in 4000K, CRI 90+ light source.



Installation: Magnetic Surface Mounted
 Length Available: 1-3m
 Profile Color: Silver, Black Anodized, White Powder Coating
 Lens: Opal, Diffuser, Clear
 Input Cable: Endcaps, Profile Bottom, Profile Sides
 Quick Female/Male Connectors Input cable & Junction Box available

MAGNETIC SURFACE MOUNTED SERIES

► SL251812



Installation: Magnetic Trimmed Recessed
 Length Available: 1-3m
 Profile Color: Silver, Black Anodized, White Powder Coating
 Lens: Opal, Diffuser, Clear
 Input Cable: Endcaps, Profile Bottom, Profile Sides
 Quick Female/Male Connectors Input cable & Junction Box available

MAGNETIC SURFACE MOUNTED SERIES

► SL251812

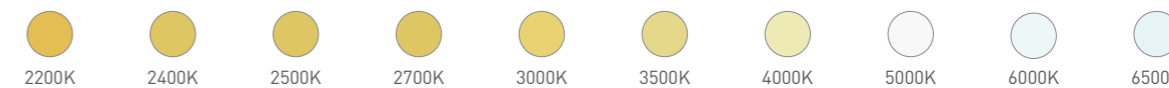
ORDERING CODE

Luminaire	Finish	Lens	Vol.	Power	CRI	CCT	Input Cable	Connector	Wiring
SL251812	W White	D Diffuser	12 12VDC	5.18W/m	90 90+	22-2200K , 24-2400K , 25-2500K 27-2700K , 30-3000K , 35-3500K 40-4000K , 50-5000K , 65-6500K	01 - Black&Red 22AWG	A - AMP male/female	B - Through profile back
	B Black	O Opal	24 24VDC	11.52W/m	95 95+	22-2200K , 25-2500K , 27-2700K 30-3000K , 35-3500K , 40-4000K 50-5000K , 65-6500K	02 - Black&White 22AWG	M - Molex male/female	E - Through Endcaps
	S Silver	C Clear	36 36VDC	14.40W/m			03 - White PU protected 2 pin	D - DC male/female	S - Through profile side
			48 48VDC	21.60W/m 24.00W/m 28.80W/m			04 - 3Pin cable for Tunable white		
					TW	Tunable White - check your executive sales			
					D2W	Dim To Warm - check your executive sales			

RECOMMENDED LIGHT SOURCE

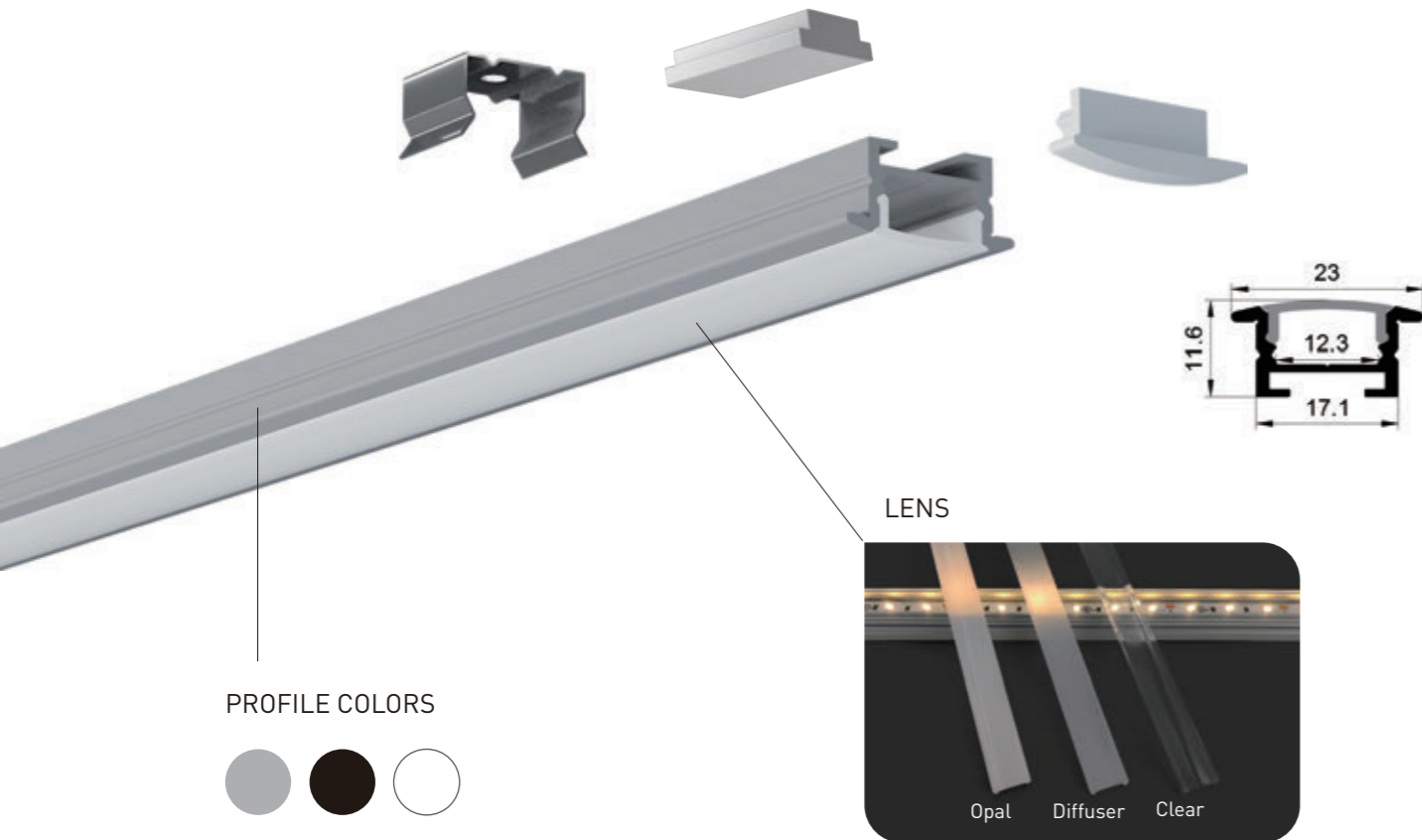
Performance	Part Code	Led Qty	Input Vol.	Power	CRI	Light Source Lumen	Diffuser Lens Lumen	Cuttable length	Max Run	Pcb Width
General	FN-2835T-120	120pcs/m	12/24VDC	14.40 W/m	90+	1512 lm/m	680lm/m	12V=25mm 24V=50mm	12V=5m 24V=9m	10 mm
					95+	1282 lm/m	577lm/m			
High Efficiency	FN-H2835T-128	128pcs/m	24VDC	11.52 W/m	90+	1613 lm/m	726lm/m	24V=62.5mm	24V=6m	10 mm
	FN-H2835O-160	160pcs/m	24VDC	24 W/m	90+	3480 lm/m	1739lm/m	50mm	3m	10 mm
	FN-H2835T-160	160pcs/m	24VDC	14.40 W/m	90+	1987 lm/m	894lm/m	24V=50mm	24V=5m	10 mm
	FN-H2835O-192	192pcs/m	24VDC	28.8 W/m	90+	4176 lm/m	2086lm/m	41.7mm	2.5m	10 mm
Long Run	LN-H2835T-80	80pcs/m	36VDC	5.18W/m	90+	580 lm/m	261lm/m	100mm	50m	10 mm
	LN-H2835T-112	112pcs/m	48VDC	11.52 W/m	90+	1336 lm/m	601lm/m	125mm	25m	10 mm
	LN-H2835T-120	120pcs/m	24VDC	6.00 W/m	90+	588 lm/m	265lm/m	50mm	21m	10 mm
Short Cut	FN-F2835A-120	120pcs/m	12VDC	21.60 W/m	90+	1922 lm/m	865lm/m	16.7mm	3.5m	10 mm
					95+	1595 lm/m	718lm/m			

Remark: 1. The tested data based on silver finish in 4000K, CRI 90+ light source. 2. LN-H2835T-80 is good for long run, but it will show light spot.



MAGNETIC SURFACE MOUNTED SERIES

► SL251212



MAGNETIC SURFACE MOUNTED SERIES

► SL251212

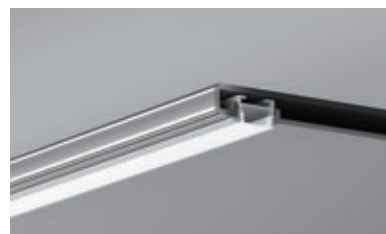
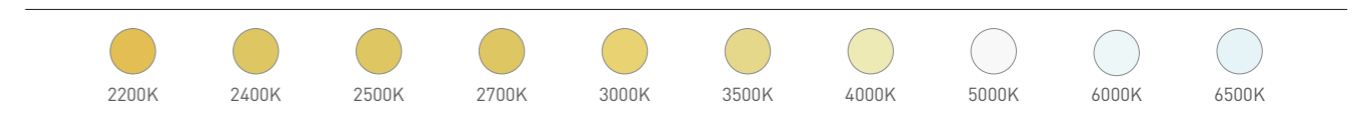
ORDERING CODE

Luminaire	Finish	Lens	Vol.	Power	CRI	CCT	Input Cable	Connector	Wiring		
SL251212	W White	D Diffuser	24 24VDC	16.42W/m	90 90+	22-2200K , 24-2400K 25-2500K , 27-2700K 30-3000K , 35-3500K 40-4000K , 50-5000K 65-6500K	01 - Black&Red 22AWG	A - AMP male/female	B - Through profile back		
	B Black	O Opal								M - Molex male/female	E - Through Endcaps
	S Silver	C Clear								D - DC male/female	S - Through profile side
					TW	Tunable White - check your executive sales	03 - White PU protected 2 pin				
					D2W	Dim To Warm - check your executive sales	04 - 3Pin cable for Tunable white				

RECOMMENDED LIGHT SOURCE

Performance	Part Code	Led Qty	Input Vol.	Power	CRI	Light Source Lumen	Diffuser Lens Lumen	Cutttable length	Max Run	Pcb Width
General	FN-2016-266	266pcs/m	24VDC	16.42W/m	90+	1700 lm/m	765lm/m	26.3mm	3m	10mm

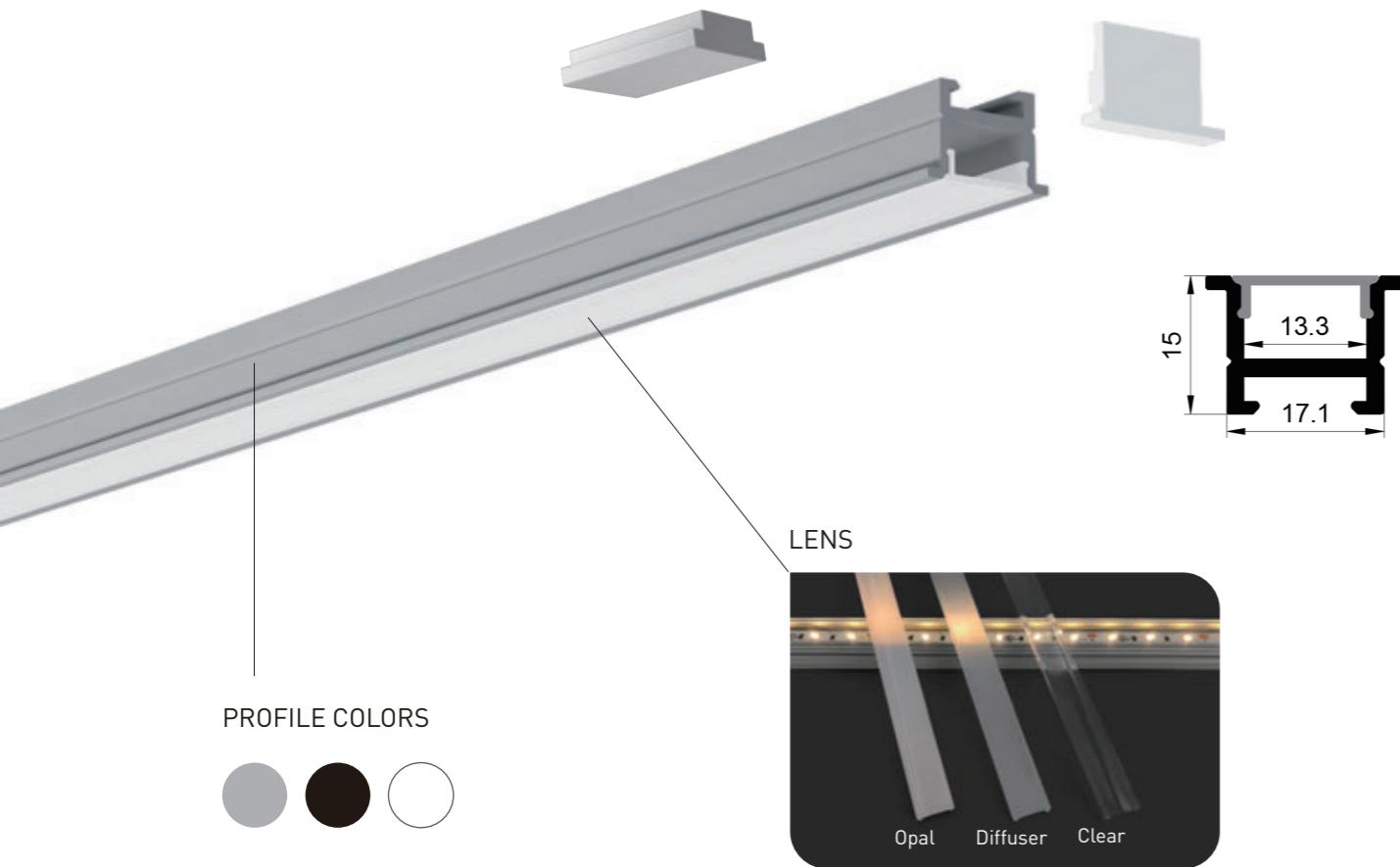
Remark: The tested data based on silver finish in 4000K, CRI 90+ light source.



Installation: Magnetic Trimmed Recessed
 Length Available: 1-3m
 Profile Color: Silver, Black Anodized, White Powder Coating
 Lens: Opal, Diffuser, Clear
 Input Cable: Endcaps, Profile Bottom, Profile Sides
 Quick Female/Male Connectors Input cable & Junction Box available

MAGNETIC SURFACE MOUNTED SERIES

► SL2116B13



MAGNETIC SURFACE MOUNTED SERIES

► SL2116B13

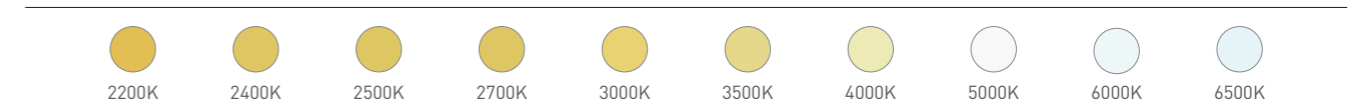
ORDERING CODE

Luminaire	Finish	Lens	Vol.	Power	CRI	CRI	Input Cable	Connector	Wiring
SL2116B13	W White	D Diffuser	24 24VDC	16.42W/m	90 90+	22-2200K , 24-2400K 25-2500K , 27-2700K 30-3000K , 35-3500K 40-4000K , 50-5000K 65-6500K	01 - Black&Red 22AWG 02 - Black&White 22AWG 03 - White PU protected 2 pin 04 - 3Pin cable for Tunable white	A - AMP male/female M - Molex male/female D - DC male/female	B - Through profile back E - Through Endcaps S - Through profile side
	B Black	O Opal							
	S Silver	C Clear							
					TW	Tunable White - check your executive sales			
					D2W	Dim To Warm - check your executive sales			

RECOMMENDED LIGHT SOURCE

Performance	Part Code	Led Qty	Input Vol.	Power	CRI	Light Source Lumen	Diffuser Lens Lumen	Cuttable length	Max Run	Pcb Width
General	FN-2016-266	266pcs/m	24VDC	16.42W/m	90+	1700 lm/m	765 lm/m	26.3mm	3m	10mm

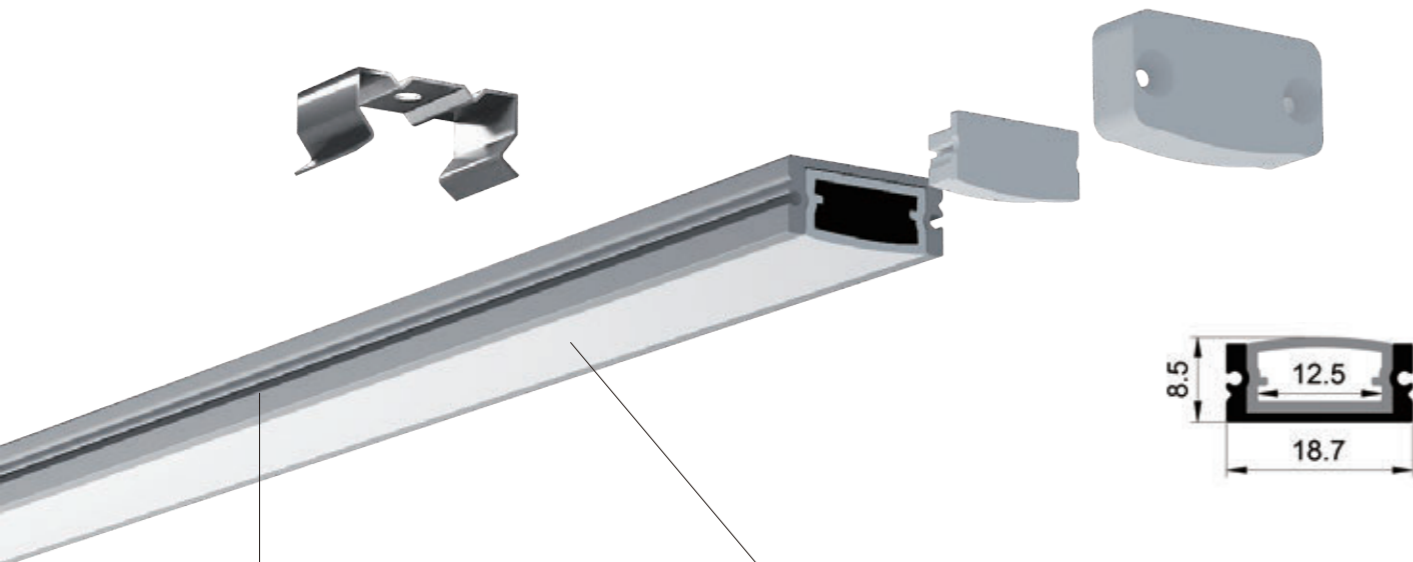
Remark: The tested data based on silver finish in 4000K, CRI 90+ light source.



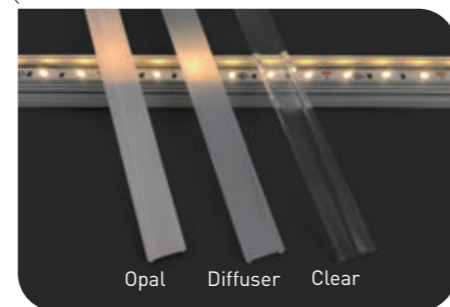
Installation: Magnetic Trimmed Recess
 Length Available: 1-3m
 Profile Color: Silver, Black Anodized, White Powder Coating
 Lens: Opal, Diffuser, Clear
 Input Cable: Endcaps, Profile Bottom, Profile Sides
 Quick Female/Male Connectors Input cable & Junction Box available

IP44 SERIES

► SL1707W12



LENS



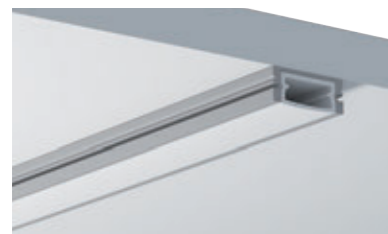
PROFILE COLORS



ACCESSORIES



Rotating Bracket



Installation: IP44 Surface Mounted
 Length Available: 1-3m
 Profile Color: Silver, Black Anodized, White Powder Coating
 Lens: Opal, Diffuser, Clear
 Input Cable: Endcaps, Profile Bottom, Profile Sides
 Quick Female/Male Connectors Input cable & Junction Box available

IP44 SERIES

► SL1707W12

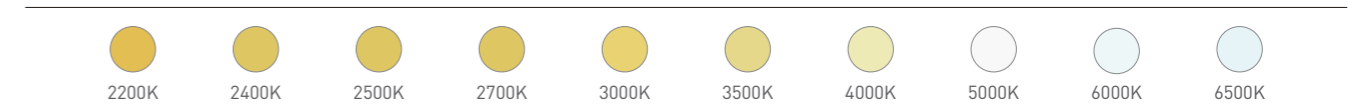
ORDERING CODE

Luminaire	Finish	Lens	Vol.	Power	CRI	CCT	Input Cable	Connector	Wiring
SL1707W12	W White	D Diffuser	24 24VDC	12.96W/m 17.28W/m	90 90+	22-2200K , 24-2400K 25-2500K , 27-2700K 30-3000K , 35-3500K 40-4000K , 50-5000K 65-6500K	01 - Black&Red 22AWG 02 - Black&White 22AWG 03 - White PU protected 2 pin 04 - 3Pin cable for Tunable white	A - AMP male/female M - Molex male/female D - DC male/female	B - Through profile back E - Through Endcaps S - Through profile side
	B Black	O Opal							
	S Silver	C Clear							
					TW	Tunable White - check your executive sales			
					D2W	Dim To Warm - check your executive sales			

RECOMMENDED LIGHT SOURCE

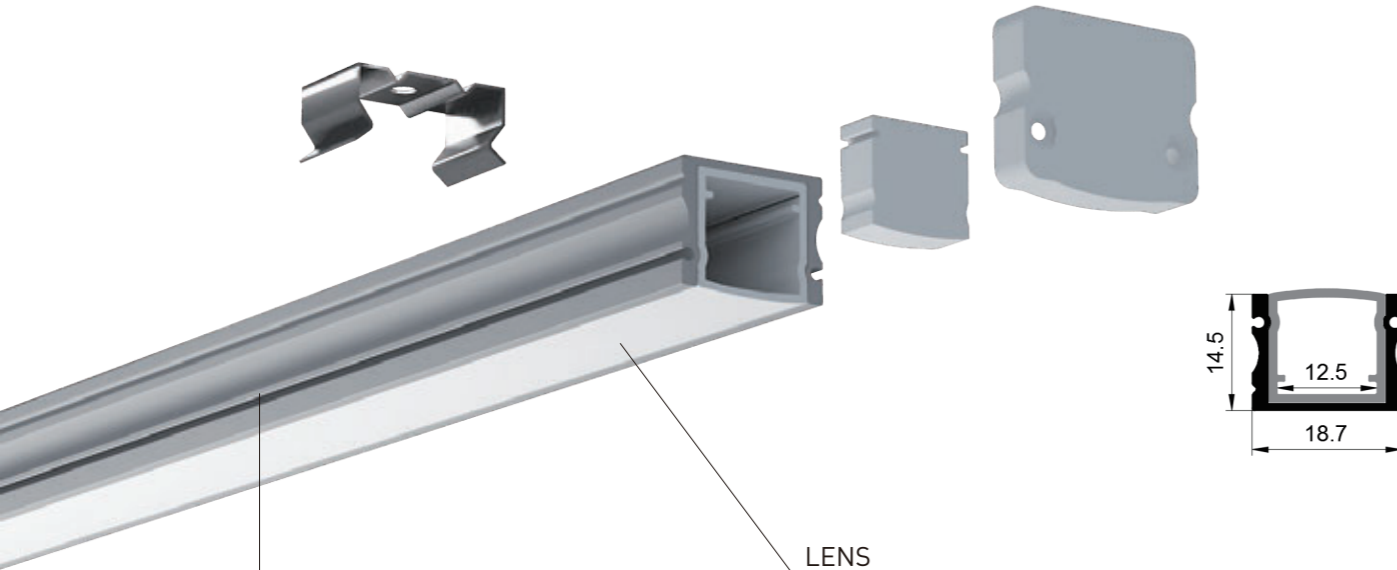
Part Code	Led Qty	Input Vol.	Power	CRI	Light Source Lumen	Diffuser Lens Lumen	Cutttable length	Max Run	Pcb Width
FN-2016-180	180pcs/m	24VDC	12.96W/m	90+	1000 lm/m	450 lm/m	33mm	3m	10mm
FN-2016-240	240pcs/m		17.28W/m	90+	1300 lm/m	585 lm/m	25mm		

Remark: 1.Light Source should always come with holder - SL120112. 2. The tested data based on silver finish in 4000K, CRI 90+ light source.

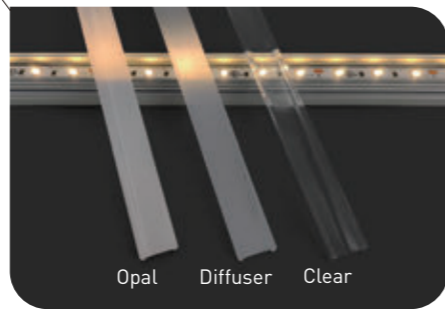


IP44 SERIES

► SL1715W12



LENS



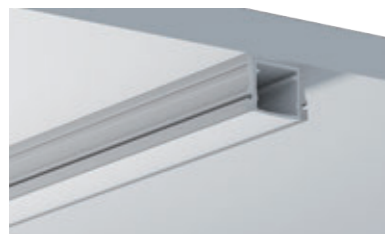
PROFILE COLORS



ACCESSORIES



Rotating Bracket



Installation: IP44 Surface Mounted
 Length Available: 1-3m
 Profile Color: Silver, Black Anodized, White Powder Coating
 Lens: Opal, Diffuser, Clear
 Input Cable: Endcaps, Profile Bottom, Profile Sides
 Quick Female/Male Connectors Input cable & Junction Box available

IP44 SERIES

► SL1715W12

ORDERING CODE

Luminaire	Finish	Lens	Vol.	Power	CRI	CCT	Input Cable	Connector	Wiring
SL1715W12	W White	D Diffuser	12 12VDC	5.18W/m	90 90+	22-2200K , 24-2400K , 25-2500K 27-2700K , 30-3000K , 35-3500K 40-4000K , 50-5000K , 65-6500K	01 - Black&Red 22AWG 02 - Black&White 22AWG 03 - White PU protected 2 pin 04 - 3Pin cable for Tunable white	A - AMP male/female M - Molex male/female D - DC male/female	B - Through profile back E - Through Endcaps S - Through profile side
	B Black	O Opal	24 24VDC	11.52W/m	95 95+	22-2200K , 25-2500K , 27-2700K 30-3000K , 35-3500K , 40-4000K 50-5000K , 65-6500K			
	S Silver	C Clear	36 36VDC	14.40W/m	TW	Tunable White - check your executive sales			
			48 48VDC	21.60W/m 24.00W/m 28.80W/m	D2W	Dim To Warm - check your executive sales			

RECOMMENDED LIGHT SOURCE

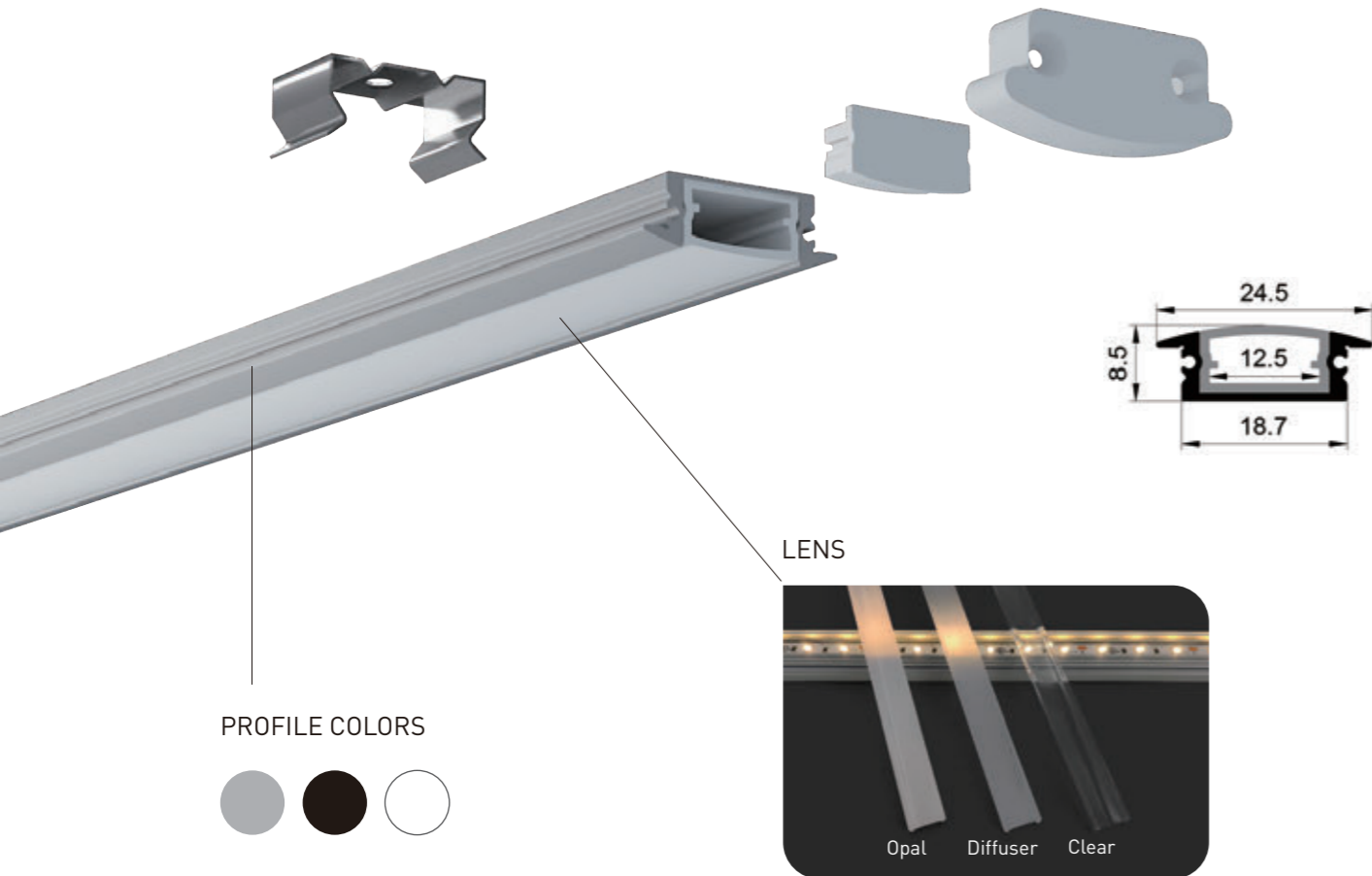
Performance	Part Code	Led Qty	Input Vol.	Power	CRI	Light Source Lumen	Diffuser Lens Lumen	Cuttable length	Max Run	Pcb Width
General	FN-2835T-120	120pcs/m	12/24VDC	14.40 W/m	90+	1512 lm/m	680lm/m	12V=25mm 24V=50mm	12V=5m 24V=9m	10 mm
					95+	1282 lm/m	577lm/m			
High Efficiency	FN-H2835T-128	128pcs/m	24VDC	11.52 W/m	90+	1613 lm/m	726lm/m	24V=62.5mm	24V=6m	10 mm
				95+	1475 lm/m	664lm/m				
	FN-H28350-160	160pcs/m	24VDC	24 W/m	90+	3480 lm/m	1739lm/m	50mm	3m	10 mm
	FN-H2835T-160	160pcs/m	24VDC	14.40 W/m	90+	1987 lm/m	894lm/m	24V=50mm	24V=5m	10 mm
			95+	1843 lm/m	829lm/m					
Long Run	FN-H28350-192	192pcs/m	24VDC	28.8 W/m	90+	4176 lm/m	2086lm/m	41.7mm	2.5m	10 mm
	LN-H2835T-80	80pcs/m	36VDC	5.18W/m	90+	580 lm/m	261lm/m	100mm	50m	10 mm
				95+	482 lm/m	217lm/m				
	LN-H2835T-112	112pcs/m	48VDC	11.52 W/m	90+	1336 lm/m	601lm/m	125mm	25m	10 mm
				95+	1106 lm/m	498lm/m				
	LN-H2835T-120	120pcs/m	24VDC	6.00 W/m	90+	588 lm/m	265lm/m	50mm	21m	10 mm
			95+	486 lm/m	219lm/m					
Short Cut	FN-F2835A-120	120pcs/m	12VDC	21.60 W/m	90+	1922 lm/m	865lm/m	16.7mm	3.5m	10 mm
					95+	1595 lm/m	718lm/m			

Remark: 1.Light Source should always come with holder - SL120112. 2. The tested data based on silver finish in 4000K, CRI 90+ light source.
 3. LN-H2835T-80 is good for long run, but it will show light spot.



IP44 SERIES

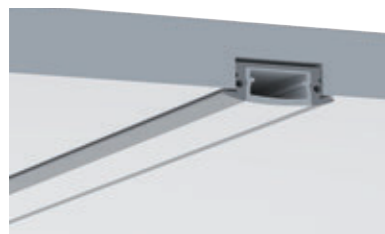
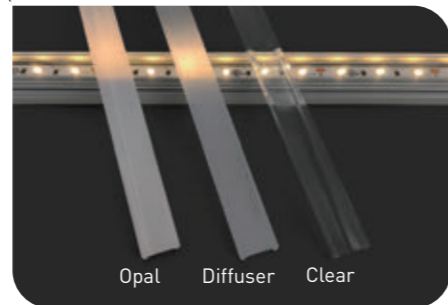
► SL2507W12



PROFILE COLORS



LENS



Installation: IP44 Trimmed Recessed
 Length Available: 1-3m
 Profile Color: Silver, Black Anodized, White Powder Coating
 Lens: Opal, Diffuser, Clear
 Input Cable: Endcaps, Profile Bottom, Profile Sides
 Quick Female/Male Connectors Input cable & Junction Box available

IP44 SERIES

► SL2507W12

ORDERING CODE

Luminaire	Finish	Lens	Vol.	Power	CRI	CCT	Input Cable	Connector	Wiring
SL2507W12	W White	D Diffuser	12 12VDC	5.18W/m	90 90+	22-2200K , 24-2400K , 25-2500K 27-2700K , 30-3000K , 35-3500K 40-4000K , 50-5000K , 65-6500K	01 - Black&Red 22AWG 02 - Black&White 22AWG 03 - White PU protected 2 pin 04 - 3Pin cable for Tunable white	A - AMP male/female M - Molex male/female D - DC male/female	B - Through profile back E - Through Endcaps S - Through profile side
	B Black	O Opal	24 24VDC	11.52W/m	95 95+	22-2200K , 25-2500K , 27-2700K 30-3000K , 35-3500K , 40-4000K 50-5000K , 65-6500K			
	S Silver	C Clear	36 36VDC	14.40W/m	TW	Tunable White - check your executive sales			
			48 48VDC	21.60W/m 24.00W/m 28.80W/m	D2W	Dim To Warm - check your executive sales			

RECOMMENDED LIGHT SOURCE

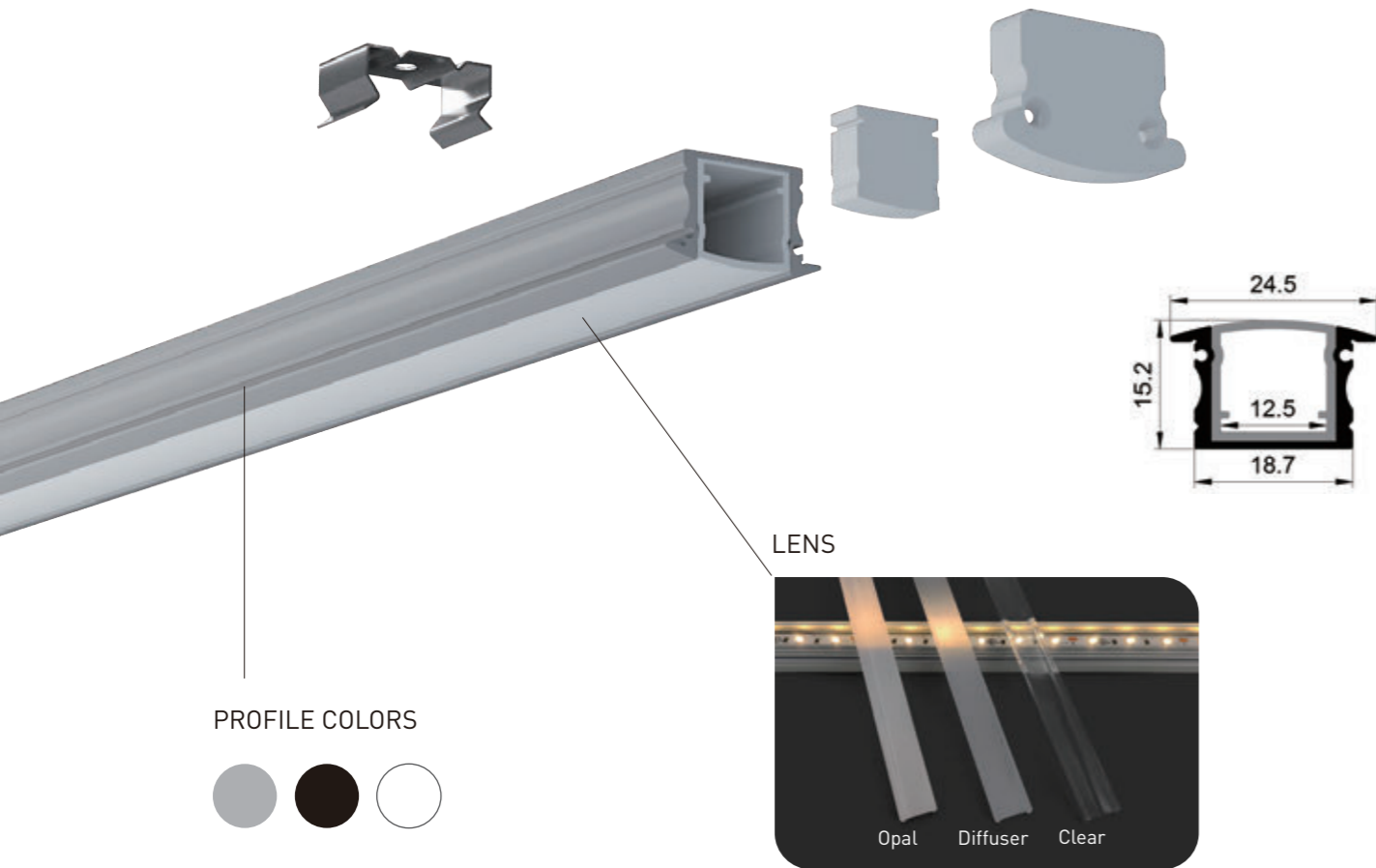
Performance	Part Code	Led Qty	Input Vol.	Power	CRI	Light Source Lumen	Diffuser Lens Lumen	Cuttable length	Max Run	Pcb Width
General	FN-2835T-120	120pcs/m	12/24VDC	14.40 W/m	90+	1512 lm/m	680lm/m	12V=25mm 24V=50mm	12V=5m 24V=9m	10 mm
					95+	1282 lm/m	577lm/m			
High Efficiency	FN-H2835T-128	128pcs/m	24VDC	11.52 W/m	90+	1613 lm/m	726lm/m	24V=62.5mm	24V=6m	10 mm
				95+	1475 lm/m	664lm/m				
	FN-H28350-160	160pcs/m	24VDC	24 W/m	90+	3480 lm/m	1739lm/m	50mm	3m	10 mm
	FN-H2835T-160	160pcs/m	24VDC	14.40 W/m	90+	1987 lm/m	894lm/m	24V=50mm	24V=5m	10 mm
			95+	1843 lm/m	829lm/m					
Long Run	FN-H28350-192	192pcs/m	24VDC	28.8 W/m	90+	4176 lm/m	2086lm/m	41.7mm	2.5m	10 mm
	LN-H2835T-80	80pcs/m	36VDC	5.18W/m	90+	580 lm/m	261lm/m	100mm	50m	10 mm
				95+	482 lm/m	217lm/m				
	LN-H2835T-112	112pcs/m	48VDC	11.52 W/m	90+	1336 lm/m	601lm/m	125mm	25m	10 mm
				95+	1106 lm/m	498lm/m				
	LN-H2835T-120	120pcs/m	24VDC	6.00 W/m	90+	588 lm/m	265lm/m	50mm	21m	10 mm
			95+	486 lm/m	219lm/m					
Short Cut	FN-F2835A-120	120pcs/m	12VDC	21.60 W/m	90+	1922 lm/m	865lm/m	16.7mm	3.5m	10 mm
					95+	1595 lm/m	718lm/m			

Remark: 1.Light Source should always come with holder - SL120112. 2. The tested data based on silver finish in 4000K, CRI 90+ light source. 3. LN-H2835T-80 is good for long run, but it will show light spot.



IP44 SERIES

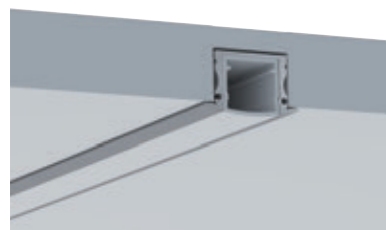
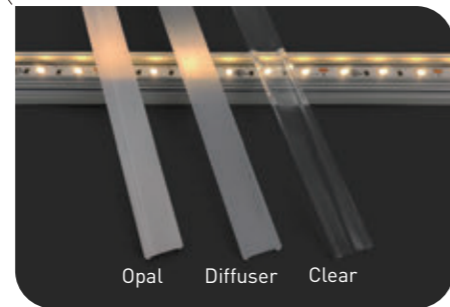
► SL2515W12



PROFILE COLORS



LENS



Installation: IP44 Trimed Recessed
 Length Available: 1-3m
 Profile Color: Silver, Black Anodized, White Powder Coating
 Lens: Opal, Diffuser, Clear
 Input Cable: Endcaps, Profile Bottom, Profile Sides
 Quick Female/Male Connectors Input cable & Junction Box available

IP44 SERIES

► SL2515W12

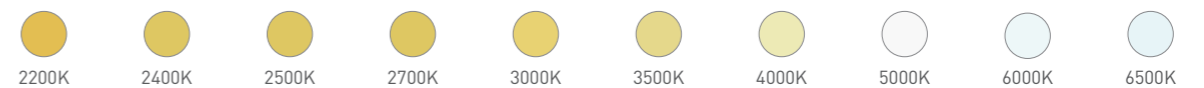
ORDERING CODE

Luminaire	Finish	Lens	Vol.	Power	CRI	CCT	Input Cable	Connector	Wiring
SL2515W12	W White	D Diffuser	12 12VDC	5.18W/m	90 90+	22-2200K , 24-2400K , 25-2500K 27-2700K , 30-3000K , 35-3500K 40-4000K , 50-5000K , 65-6500K	01 - Black&Red 22AWG	A - AMP male/female	B - Through profile back
	B Black	O Opal	24 24VDC	11.52W/m	95 95+	22-2200K , 25-2500K , 27-2700K 30-3000K , 35-3500K , 40-4000K 50-5000K , 65-6500K			
	S Silver	C Clear	36 36VDC	14.40W/m	TW	Tunable White - check your executive sales	03 - White PU protected 2 pin	D - DC male/female	S - Through profile side
			48 48VDC	21.60W/m 24.00W/m 28.80W/m					

RECOMMENDED LIGHT SOURCE

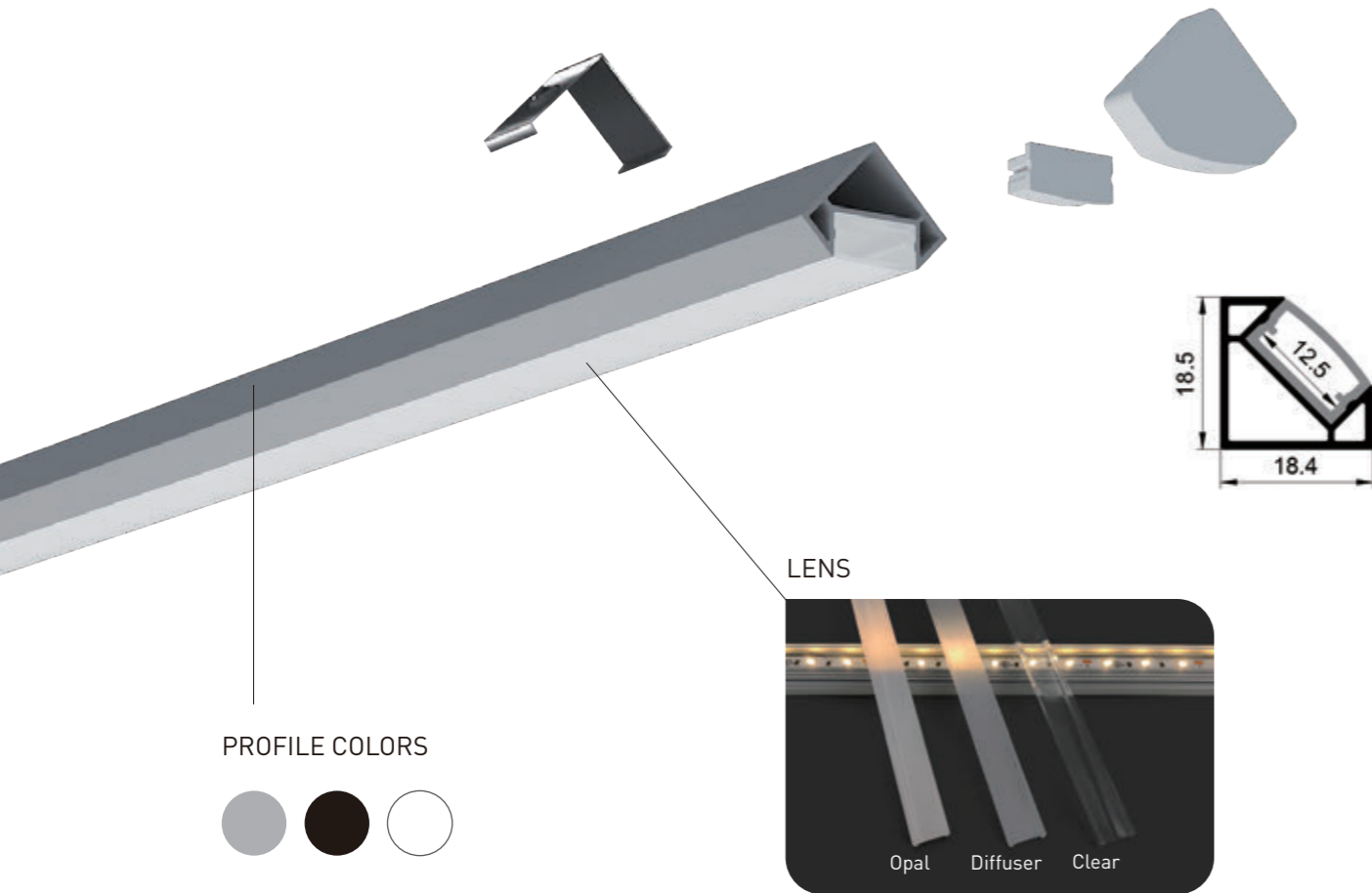
Performance	Part Code	Led Qty	Input Vol.	Power	CRI	Light Source Lumen	Diffuser Lens Lumen	Cuttable length	Max Run	Pcb Width
General	FN-2835T-120	120pcs/m	12/24VDC	14.40 W/m	90+	1512 lm/m	680lm/m	12V=25mm 24V=50mm	12V=5m 24V=9m	10 mm
					95+	1282 lm/m	577lm/m			
High Efficiency	FN-H2835T-128	128pcs/m	24VDC	11.52 W/m	90+	1613 lm/m	726lm/m	24V=62.5mm	24V=6m	10 mm
					95+	1475 lm/m	664lm/m			
	FN-H28350-160	160pcs/m	24VDC	24 W/m	90+	3480 lm/m	1739lm/m	50mm	3m	10 mm
					95+	1987 lm/m	894lm/m			
FN-H2835T-160	160pcs/m	24VDC	14.40 W/m	90+	1843 lm/m	829lm/m	24V=50mm	24V=5m	10 mm	
				95+	1843 lm/m	829lm/m				
FN-H28350-192	192pcs/m	24VDC	28.8 W/m	90+	4176 lm/m	2086lm/m	41.7mm	2.5m	10 mm	
				95+	4176 lm/m	2086lm/m				
Long Run	LN-H2835T-80	80pcs/m	36VDC	5.18W/m	90+	580 lm/m	261lm/m	100mm	50m	10 mm
					95+	482 lm/m	217lm/m			
	LN-H2835T-112	112pcs/m	48VDC	11.52 W/m	90+	1336 lm/m	601lm/m	125mm	25m	10 mm
					95+	1106 lm/m	498lm/m			
	LN-H2835T-120	120pcs/m	24VDC	6.00 W/m	90+	588 lm/m	265lm/m	50mm	21m	10 mm
					95+	486 lm/m	219lm/m			
Short Cut	FN-F2835A-120	120pcs/m	12VDC	21.60 W/m	90+	1922 lm/m	865lm/m	16.7mm	3.5m	10 mm
					95+	1595 lm/m	718lm/m			

Remark: 1.Light Source should always come with holder - SL120112. 2. The tested data based on silver finish in 4000K, CRI 90+ light source.
 3. LN-H2835T-80 is good for long run, but it will show light spot.



IP44 SERIES

► SL1919W12



Installation: IP44 Angular Surface mounted
 Length Available: 1-3m
 Profile Color: Silver, Black Anodized, White Powder Coating
 Lens: Opal, Diffuser, Clear
 Input Cable: Endcaps, Profile Bottom, Profile Sides
 Quick Female/Male Connectors Input cable & Junction Box available

IP44 SERIES

► SL1919W12

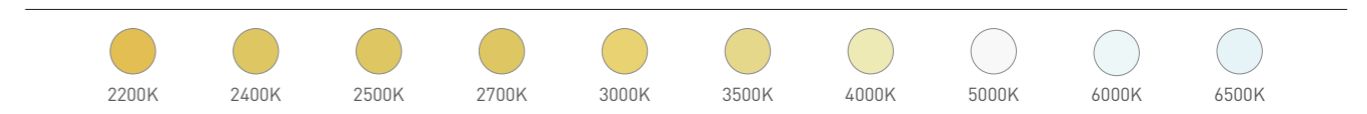
ORDERING CODE

Luminaire	Finish	Lens	Vol.	Power	CRI	CCT	Input Cable	Connector	Wiring
SL1919W12	W White	D Diffuser	24 24VDC	16.42W/m	90 90+	22-2200K , 24-2400K 25-2500K , 27-2700K 30-3000K , 35-3500K 40-4000K , 50-5000K 65-6500K	01 - Black&Red 22AWG 02 - Black&White 22AWG 03 - White PU protected 2 pin 04 - 3Pin cable for Tunable white	A - AMP male/female M - Molex male/female D - DC male/female	B - Through profile back E - Through Endcaps S - Through profile side
	B Black	O Opal							
	S Silver	C Clear							
					TW	Tunable White - check your executive sales			
					D2W	Dim To Warm - check your executive sales			

RECOMMENDED LIGHT SOURCE

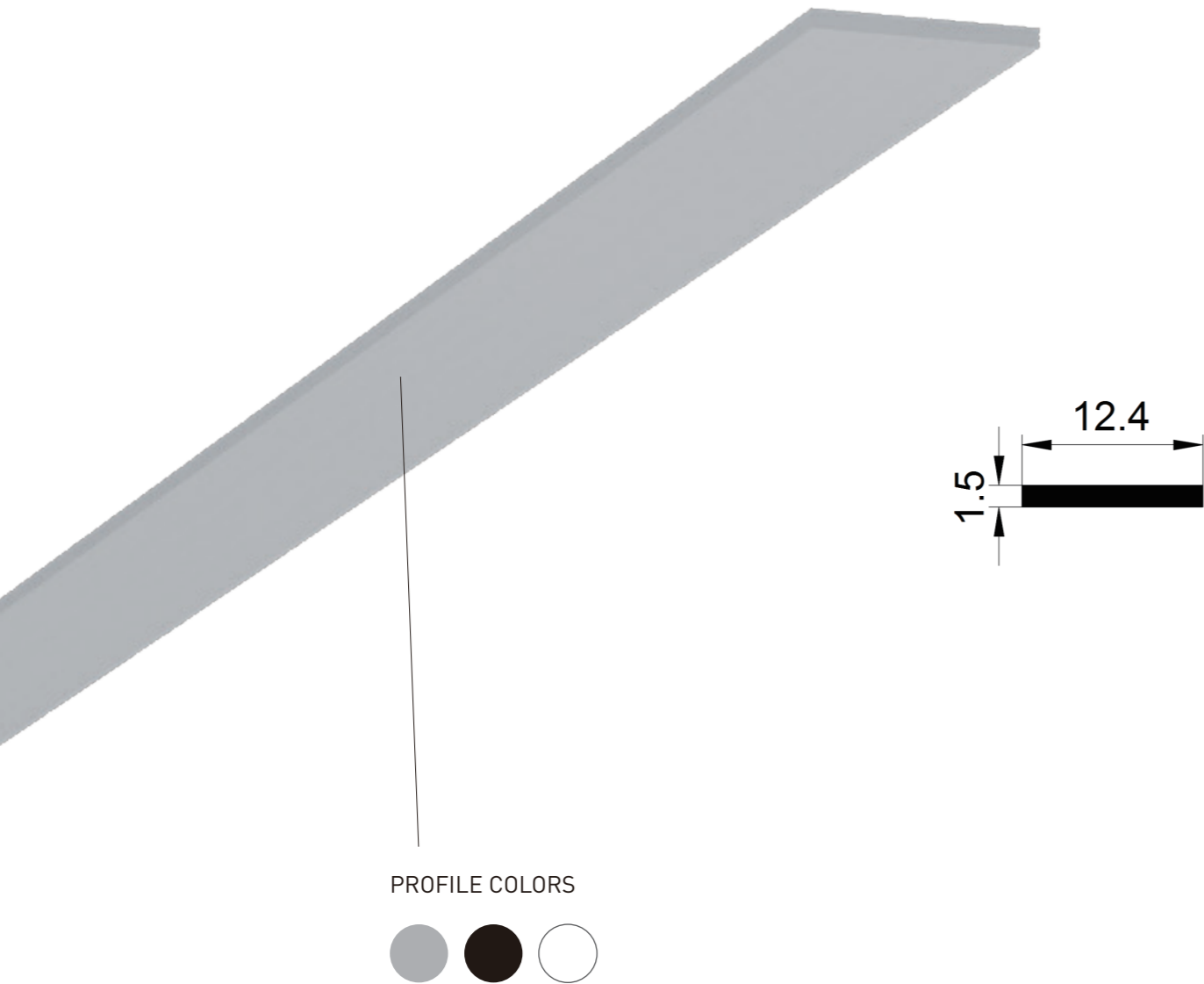
Performance	Part Code	Led Qty	Input Vol.	Power	CRI	Light Source Lumen	Diffuser Lens Lumen	Cutttable length	Max Run	Pcb Width
General	FN-2016-266	266pcs/m	24VDC	16.42W/m	90+	1700 lm/m	765 lm/m	26.3mm	3m	10mm

Remark: 1.The tested data based on silver finish in 4000K, CRI 90+ light source. 2. Light Source should always come with holder - SL120112.



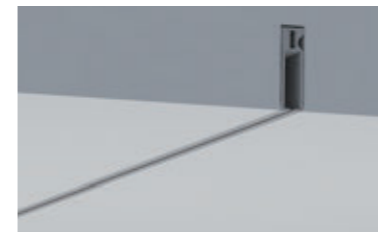
IP44 SERIES

► SL120112



SKIRTING SERIES

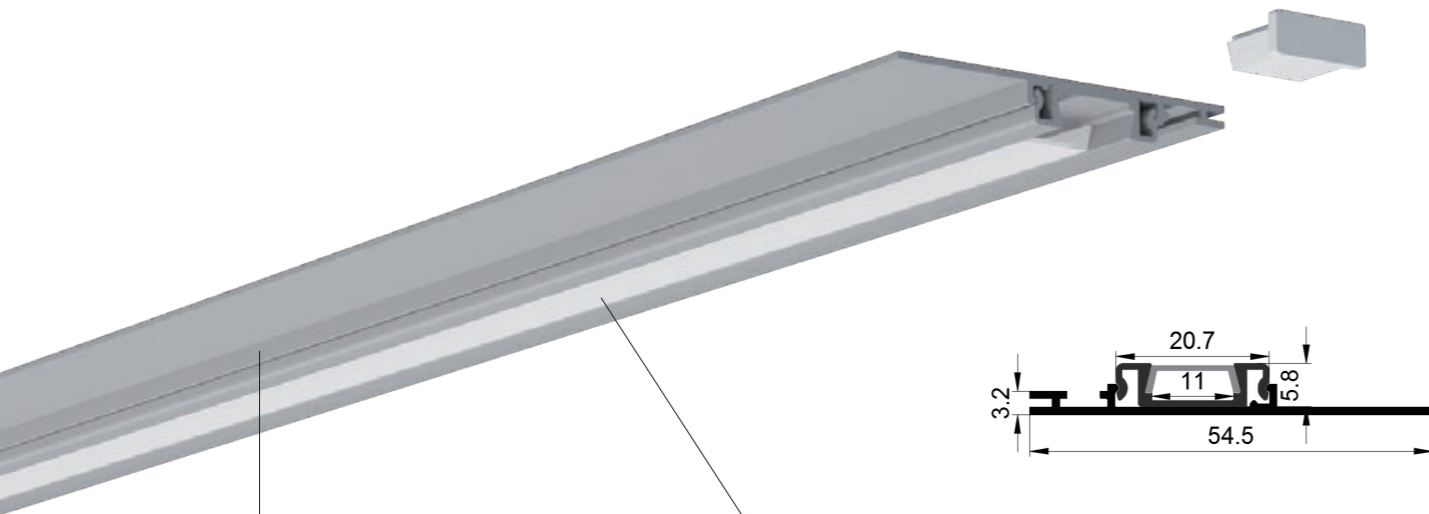
► SL082819



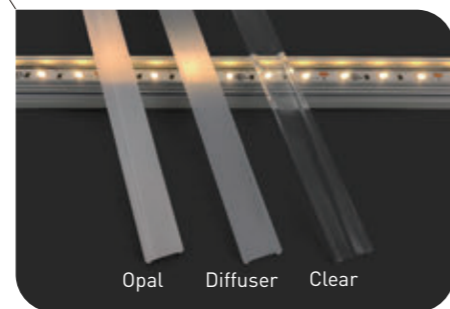
Installation: Skirting Surface Mounted
Length Available: 1-3m
Profile Color: Silver, Black Anodized, White Powder Coating
Lens: Opal, Diffuser, Clear
Input Cable: Endcaps, Profile Bottom, Profile Sides
Quick Female/Male Connectors Input cable & Junction Box available

SKIRTING SERIES

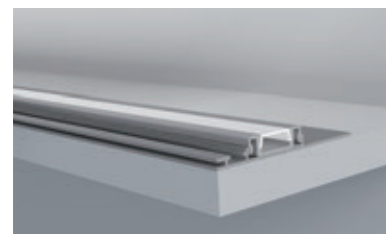
► SL540511



LENS



PROFILE COLORS



Installation: Skirting Surface Mounted
 Length Available: 1-3m
 Profile Color: Silver, Black Anodized, White Powder Coating
 Lens: Opal, Diffuser, Clear
 Input Cable: Endcaps, Profile Bottom, Profile Sides
 Quick Female/Male Connectors Input cable & Junction Box available

SKIRTING SERIES

► SL540511

ORDERING CODE

Luminaire	Finish	Lens	Vol.	Power	CRI	CCT	Input Cable	Connector	Wiring
SL540511	W White	D Diffuser	24 24VDC	16.42W/m	90 90+	22-2200K , 24-2400K 25-2500K , 27-2700K 30-3000K , 35-3500K 40-4000K , 50-5000K 65-6500K	01 - Black&Red 22AWG	A - AMP male/female	B - Through profile back
	B Black	O Opal					02 - Black&White 22AWG	M - Molex male/female	E - Through Endcaps
	S Silver	C Clear					03 - White PU protected 2 pin	D - DC male/female	S - Through profile side
					TW	Tunable White - check your executive sales			
					D2W	Dim To Warm - check your executive sales	04 - 3Pin cable for Tunable white		

RECOMMENDED LIGHT SOURCE

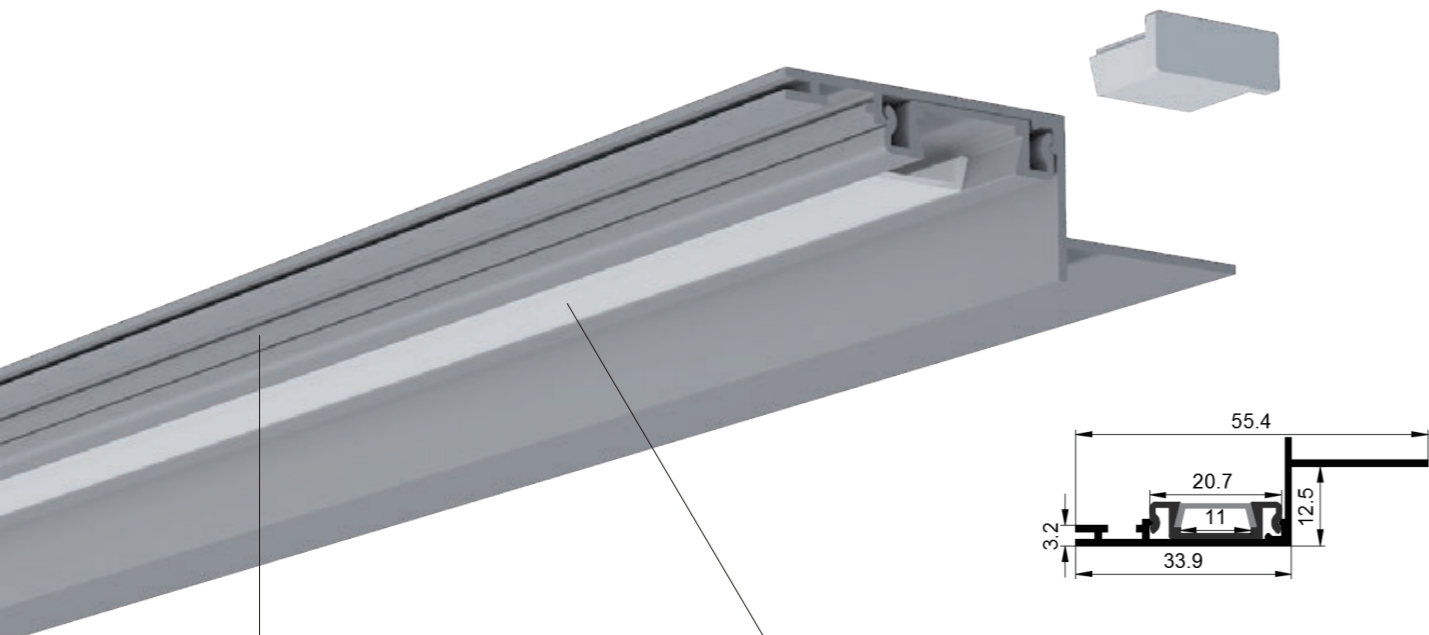
Performance	Part Code	Led Qty	Input Vol.	Power	CRI	Light Source Lumen	Diffuser Lens Lumen	Cutttable length	Max Run	Pcb Width
General	FN-2016-266	266pcs/m	24VDC	16.42W/m	90+	1700 lm/m	765 lm/m	26.3mm	3m	10mm

Remark: The tested data based on silver finish in 4000K, CRI 90+ light source.

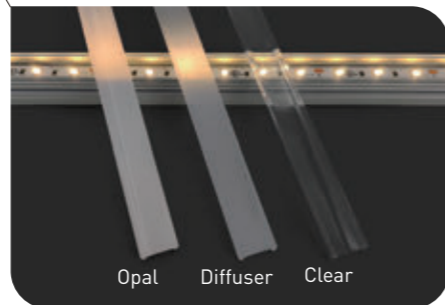


SKIRTING SERIES

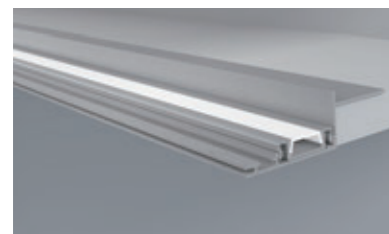
► SL5405B11



LENS



PROFILE COLORS



Installation: Skirting Surface Mounted
 Length Available: 1-3m
 Profile Color: Silver, Black Anodized, White Powder Coating
 Lens: Opal, Diffuser, Clear
 Input Cable: Endcaps, Profile Bottom, Profile Sides
 Quick Female/Male Connectors Input cable & Junction Box available

SKIRTING SERIES

► SL5405B11

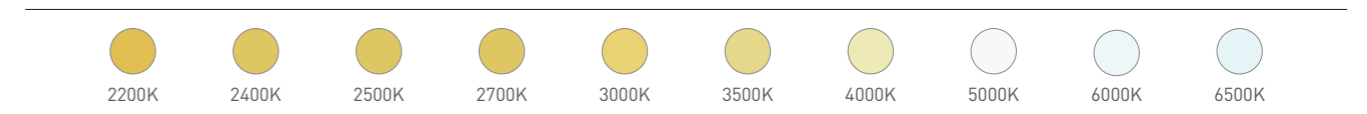
ORDERING CODE

Luminaire	Finish	Lens	Vol.	Power	CRI	CCT	Input Cable	Connector	Wiring
SL5405B11	W White	D Diffuser	24 24VDC	16.42W/m	90 90+	22-2200K, 24-2400K 25-2500K, 27-2700K 30-3000K, 35-3500K 40-4000K, 50-5000K 65-6500K	01 - Black&Red 22AWG	A - AMP male/female	B - Through profile back
	B Black	O Opal					02 - Black&White 22AWG	M - Molex male/female	E - Through Endcaps
	S Silver	C Clear					03 - White PU protected 2 pin	D - DC male/female	S - Through profile side
					TW	Tunable White - check your executive sales			
					D2W	Dim To Warm - check your executive sales	04 - 3Pin cable for Tunable white		

RECOMMENDED LIGHT SOURCE

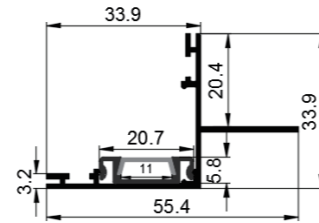
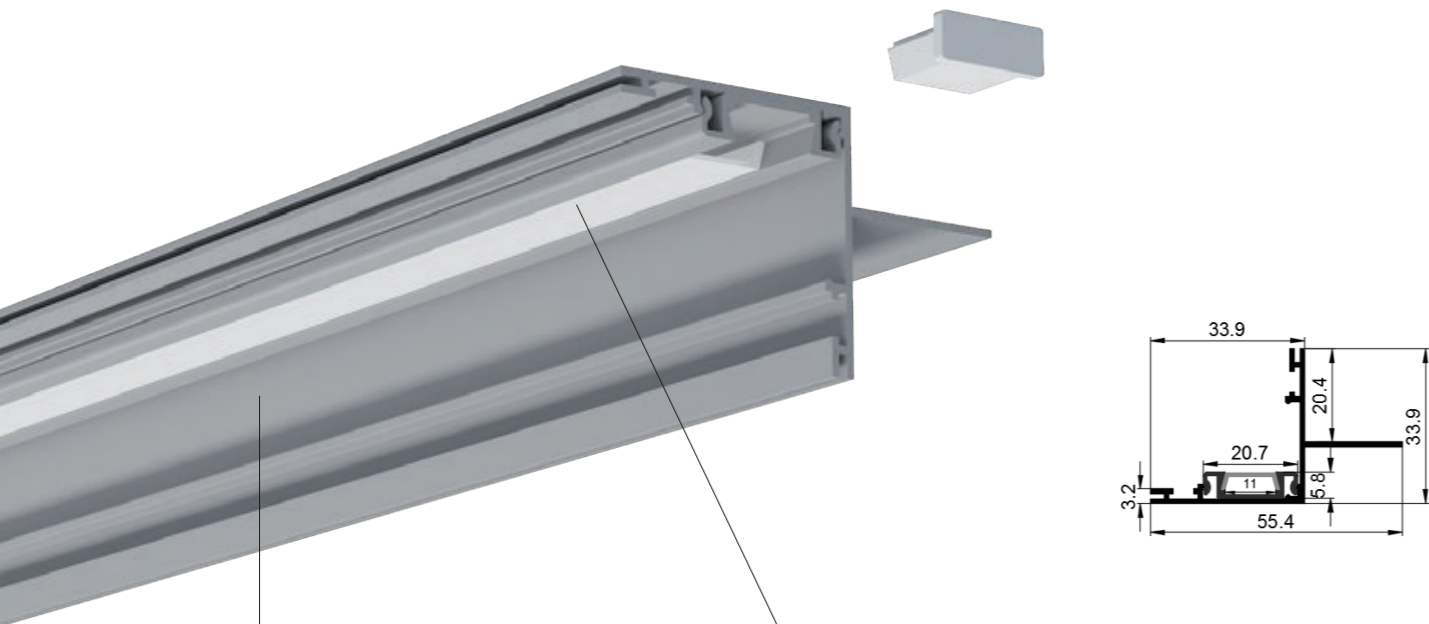
Performance	Part Code	Led Qty	Input Vol.	Power	CRI	Light Source Lumen	Diffuser Lens Lumen	Cutttable length	Max Run	Pcb Width
General	FN-2016-266	266pcs/m	24VDC	16.42W/m	90+	1700 lm/m	765 lm/m	26.3mm	3m	10mm

Remark:The tested data based on silver finish in 4000K, CRI 90+ light source.

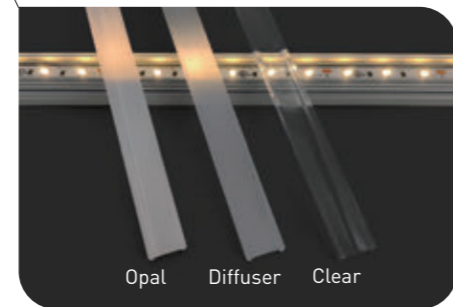


SKIRTING SERIES

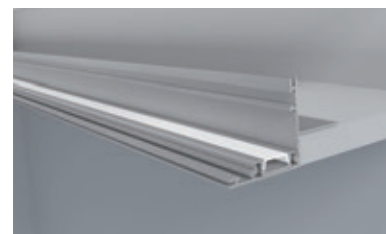
► SL5405C11



LENS



PROFILE COLORS



Installation: Skirting Surface Mounted
 Length Available: 1-3m
 Profile Color: Silver, Black Anodized, White Powder Coating
 Lens: Opal, Diffuser, Clear
 Input Cable: Endcaps, Profile Bottom, Profile Sides
 Quick Female/Male Connectors Input cable & Junction Box available

SKIRTING SERIES

► SL5405C11

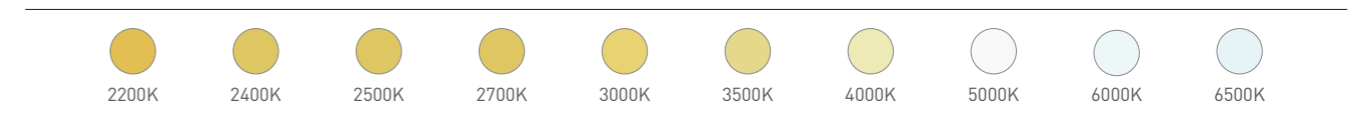
ORDERING CODE

Luminaire	Finish	Lens	Vol.	Power	CRI	CCT	Input Cable	Connector	Wiring
SL5405C11	W White	D Diffuser	24 24VDC	16.42W/m	90 90+	22-2200K , 24-2400K 25-2500K , 27-2700K 30-3000K , 35-3500K 40-4000K , 50-5000K 65-6500K	01 - Black&Red 22AWG	A - AMP male/female	B - Through profile back
	B Black	O Opal					02 - Black&White 22AWG	M - Molex male/female	E - Through Endcaps
	S Silver	C Clear					03 - White PU protected 2 pin	D - DC male/female	S - Through profile side
					TW	Tunable White - check your executive sales	04 - 3Pin cable for Tunable white		
					D2W	Dim To Warm - check your executive sales			

RECOMMENDED LIGHT SOURCE

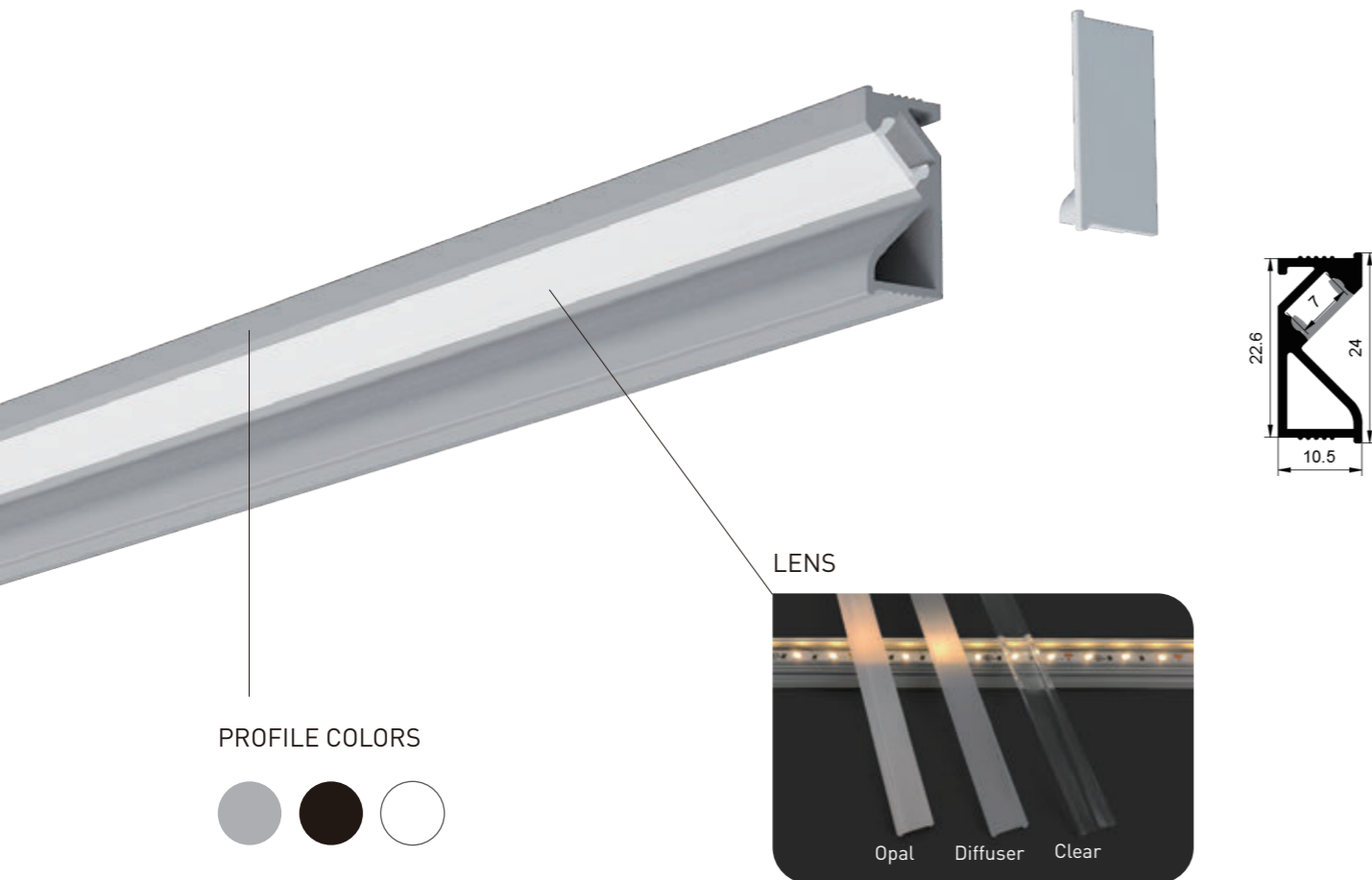
Performance	Part Code	Led Qty	Input Vol.	Power	CRI	Light Source Lumen	Diffuser Lens Lumen	Cuttable length	Max Run	Pcb Width
General	FN-2016-266	266pcs/m	24VDC	16.42W/m	90+	1700 lm/m	765 lm/m	26.3mm	3m	10mm

Remark: The tested data based on silver finish in 4000K, CRI 90+ light source.

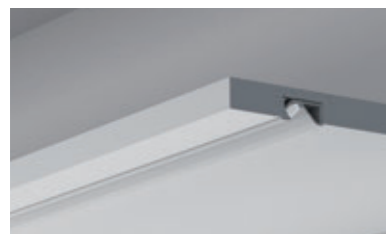


SKIRTING SERIES

► SL241107



PROFILE COLORS



Installation: Skirting Surface Mounted
 Length Available: 1-3m
 Profile Color: Silver, Black Anodized, White Powder Coating
 Lens: Opal, Diffuser, Clear
 Input Cable: Endcaps, Profile Bottom, Profile Sides
 Quick Female/Male Connectors Input cable & Junction Box available

SKIRTING SERIES

► SL241107

ORDERING CODE

Luminaire	Finish	Lens	Vol.	Power	CRI	CCT	Input Cable	Connector	Wiring
SL241107	W White	D Diffuser	12 12VDC	5.18W/m	90	22-2200K, 24-2400K, 25-2500K	01 - Black&Red 22AWG	A - AMP male/female	B - Through profile back
	B Black	O Opal	24 24VDC	6.00W/m	90+	27-2700K, 30-3000K, 35-3500K	02 - Black&White 22AWG	M - Molex male/female	E - Through Endcaps
	S Silver	C Clear		11.52W/m	95	22-2200K, 25-2500K, 27-2700K	03 - White PU protected 2 pin	D - DC male/female	S - Through profile side
				14.40W/m	95+	30-3000K, 35-3500K, 40-4000K	04 - 3Pin cable for Tunable white		
				21.60W/m	TW	Tunable White - check your executive sales			
				24.00W/m					
				28.80W/m	D2W	Dim To Warm - check your executive sales			

RECOMMENDED LIGHT SOURCE

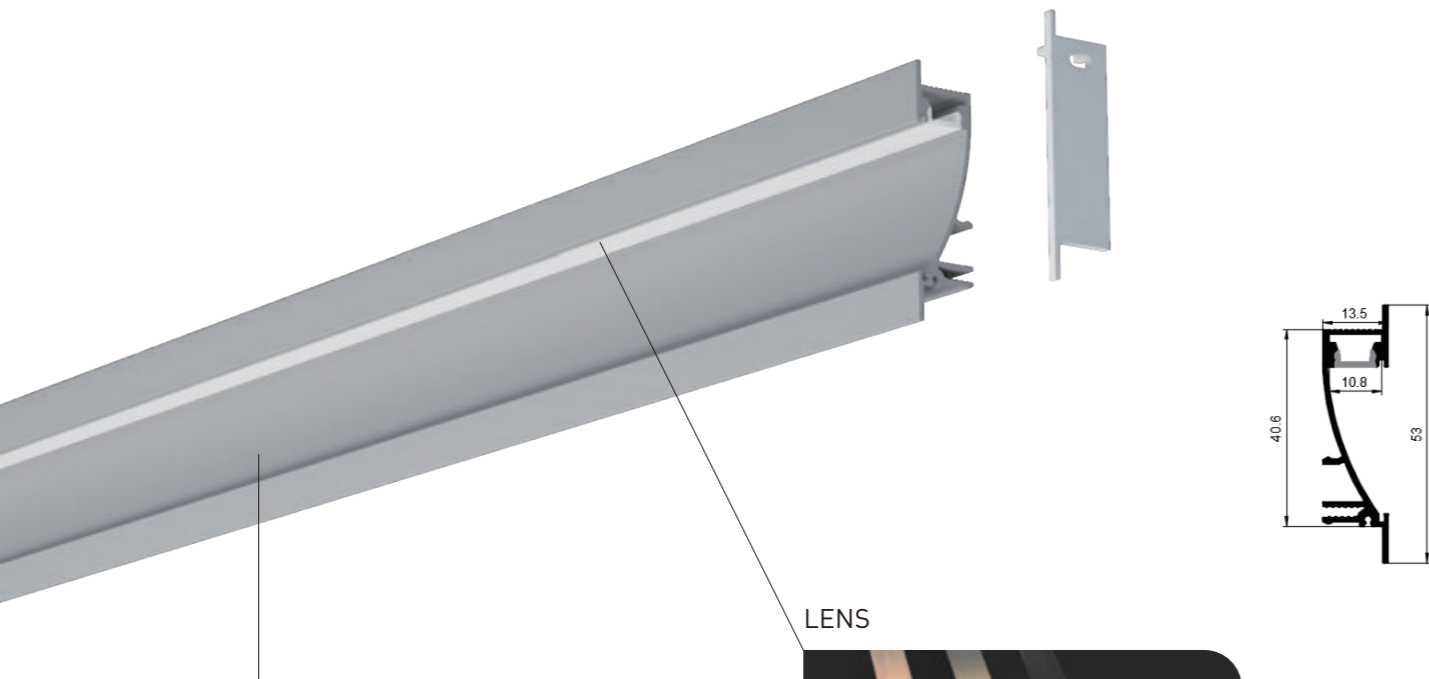
Performance	Part Code	Led Qty	Input Vol.	Power	CRI	Light Source Lumen	Diffuser Lens Lumen	Cuttable length	Max Run	Pcb Width
General	FN-2835T-120	120pcs/m	12/24VDC	14.40 W/m	90+	1512 lm/m	605 lm/m	12V=25mm	12V=5m	10 mm
					95+	1282 lm/m	513 lm/m	24V=50mm	24V=9m	
High Efficiency	FN-H2835T-128	128pcs/m	24VDC	11.52 W/m	90+	1613 lm/m	645 lm/m	24V=62.5mm	24V=6m	10 mm
					95+	1475 lm/m	590 lm/m			
	FN-H28350-160	160pcs/m	24VDC	24 W/m	90+	3480 lm/m	1546 lm/m	50mm	3m	10 mm
					95+	1987 lm/m	795 lm/m	24V=50mm	24V=5m	10 mm
FN-H2835T-160	160pcs/m	24VDC	14.40 W/m	90+	1843 lm/m	737 lm/m	24V=50mm	24V=5m	10 mm	
				95+	1843 lm/m	737 lm/m				
FN-H28350-192	192pcs/m	24VDC	28.8 W/m	90+	4176 lm/m	1854 lm/m	41.7mm	2.5m	10 mm	
				95+	4176 lm/m	1854 lm/m				
Long Run	LN-H2835T-80	80pcs/m	36VDC	5.18W/m	90+	580 lm/m	232 lm/m	100mm	50m	10 mm
					95+	482 lm/m	193 lm/m			
	LN-H2835T-112	112pcs/m	48VDC	11.52 W/m	90+	1336 lm/m	534 lm/m	125mm	25m	10 mm
95+					1106 lm/m	442 lm/m				
LN-H2835T-120	120pcs/m	24VDC	6.00 W/m	90+	588 lm/m	235 lm/m	50mm	21m	10 mm	
				95+	486 lm/m	194 lm/m				
Short Cut	FN-F2835A-120	120pcs/m	12VDC	21.60 W/m	90+	1922 lm/m	769 lm/m	16.7mm	3.5m	10 mm
					95+	1595 lm/m	638 lm/m			

Remark: 1. The tested data based on silver finish in 4000K, CRI 90+ light source. 2. LN-H2835T-80 is good for long run, but it will show light spot.

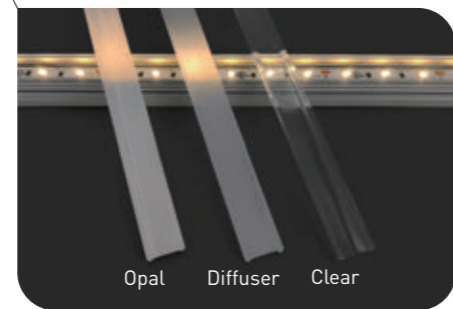


SKIRTING SERIES

► SL531310



LENS



PROFILE COLORS



Installation: Skirting Surface Mounted
 Length Available: 1-3m
 Profile Color: Silver, Black Anodized, White Powder Coating
 Lens: Opal, Diffuser, Clear
 Input Cable: Endcaps, Profile Bottom, Profile Sides
 Quick Female/Male Connectors Input cable & Junction Box available

SKIRTING SERIES

► SL531310

ORDERING CODE

Luminaire	Finish	Lens	Vol.	Power	CRI	CCT	Input Cable	Connector	Wiring
SL531310	W White	D Diffuser	12 12VDC	2.40W/m	90 90+	22-2200K , 24-2400K , 25-2500K 27-2700K , 30-3000K , 35-3500K 40-4000K , 50-5000K , 65-6500K	01 - Black&Red 22AWG	A - AMP male/female	B - Through profile back
				5.04W/m					
				5.18W/m					
	B Black	O Opal	24 24VDC	5.18W/m	95 95+	22-2200K , 25-2500K , 27-2700K 30-3000K , 35-3500K , 40-4000K 50-5000K , 65-6500K	02 - Black&White 22AWG	M - Molex male/female	E - Through Endcaps
				5.76W/m					
				6.00W/m					
	S Silver	C Clear	36 36VDC	5.76W/m	TW	Tunable White - check your executive sales	03 - White PU protected 2 pin	D - DC male/female	S - Through profile side
				7.68W/m					
				11.52W/m					
			48 48VDC	14.40W/m	D2W	Dim To Warm - check your executive sales	04 - 3Pin cable for Tunable white		
				21.60W/m					
				24.00W/m					
			28.80W/m						

RECOMMENDED LIGHT SOURCE

Performance	Part Code	Led Qty	Input Vol.	Power	CRI	Light Source Lumen	Diffuser Lens Lumen	Cutttable length	Max Run	Pcb Width	
General	FN-2835T-60	60pcs/m	12/24VDC	14.40 W/m	90+	1440 lm/m	576 lm/m	12V=25mm 24V=100mm	12V=5m 24V=9m	10 mm	
					95+	1238 lm/m	495 lm/m				
High Efficiency	FN-H2835T-64	64pcs/m	24VDC	7.68 W/m	90+	1029 lm/m	412 lm/m	125mm	5m	10 mm	
					95+	968 lm/m	387 lm/m				
	FN-H28350-80	80pcs/m	24VDC	14.40W/m	90+	2275 lm/m	910 lm/m	100mm	4m	10 mm	
Long Run	LN-2835T-60	60pcs/m	24VDC	5.04 W/m	90+	499 lm/m	200 lm/m	100mm	21m	10mm	
					95+	413 lm/m	165 lm/m				
		LN-2835T-56	56pcs/m	48VDC	5.76 W/m	90+	230 lm/m	92 lm/m	100mm	50m	10 mm
						95+	190 lm/m	76 lm/m			
Short Cut	FN-F2835A-60	60pcs/m	12VDC	14.4 W/m	90+	668 lm/m	267 lm/m	250mm	35m	10 mm	
					95+	553 lm/m	221 lm/m				
					90+	1239 lm/m	472 lm/m	33.3mm	5.5m	10 mm	
					95+	979lm/m	392 lm/m				

SKIRTING SERIES

► SL531310

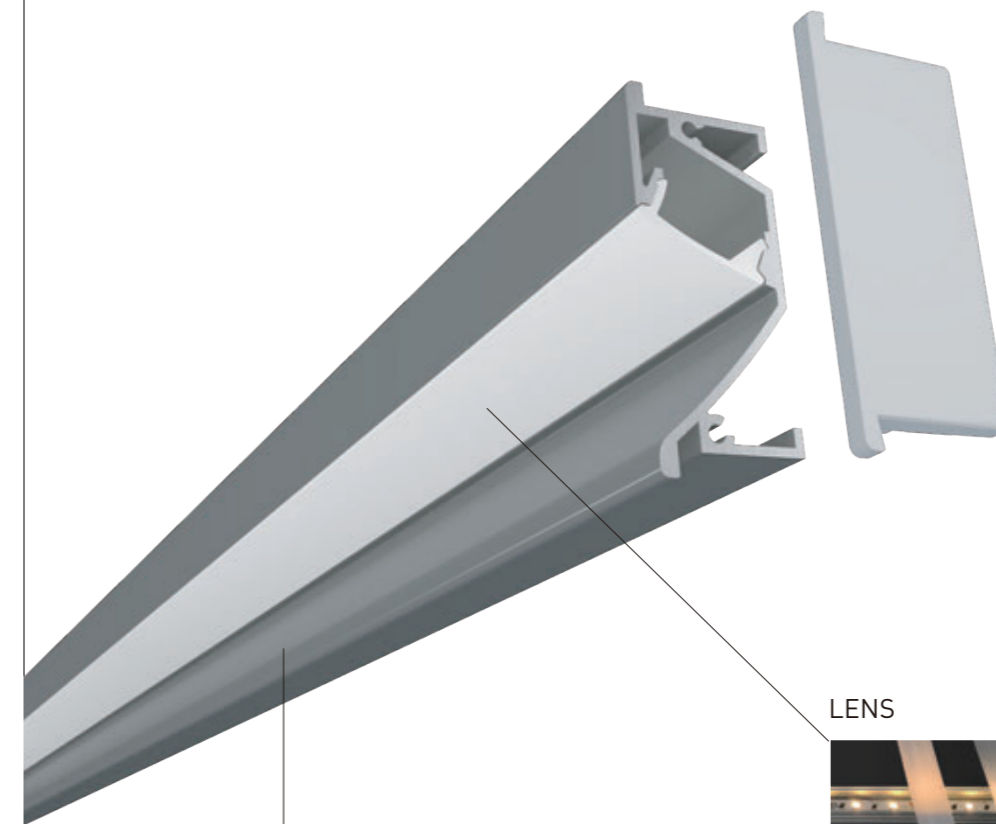
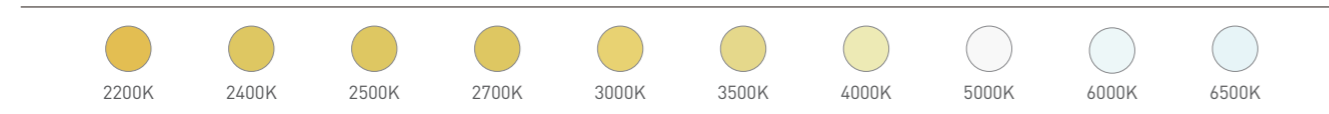
SKIRTING SERIES

► SL401611

RECOMMENDED LIGHT SOURCE

Performance	Part Code	Led Qty	Input Vol.	Power	CRI	Light Source Lumen	Diffuser Lens Lumen	Cutttable length	Max Run	Pcb Width
General	FN-2835T-120	120pcs/m	12/24VDC	14.40 W/m	90+	1512 lm/m	605 lm/m	12V=25mm 24V=50mm	12V=5m 24V=9m	10 mm
					95+	1282 lm/m	513 lm/m			
High Efficiency	FN-H2835T-128	128pcs/m	24VDC	11.52 W/m	90+	1613 lm/m	645 lm/m	24V=62.5mm	24V=6m	10 mm
				95+	1475 lm/m	590 lm/m				
	FN-H28350-160	160pcs/m	24VDC	24 W/m	90+	3480 lm/m	1546 lm/m	50mm	3m	10 mm
	FN-H2835T-160	160pcs/m	24VDC	14.40 W/m	90+	1987 lm/m	795 lm/m	24V=50mm	24V=5m	10 mm
				95+	1843 lm/m	737 lm/m				
FN-H28350-192	192pcs/m	24VDC	28.8 W/m	90+	4176 lm/m	1854 lm/m	41.7mm	2.5m	10 mm	
Long Run	LN-H2835T-80	80pcs/m	36VDC	5.18W/m	90+	580 lm/m	232 lm/m	100mm	50m	10 mm
				95+	482 lm/m	193 lm/m				
	LN-H2835T-112	112pcs/m	48VDC	11.52 W/m	90+	1336 lm/m	534 lm/m	125mm	25m	10 mm
				95+	1106 lm/m	442 lm/m				
	LN-H2835T-120	120pcs/m	24VDC	6.00 W/m	90+	588 lm/m	235 lm/m	50mm	21m	10 mm
				95+	486 lm/m	194 lm/m				
Short Cut	FN-F2835A-120	120pcs/m	12VDC	21.60 W/m	90+	1922 lm/m	769 lm/m	16.7mm	3.5m	10 mm
					95+	1595 lm/m	638 lm/m			

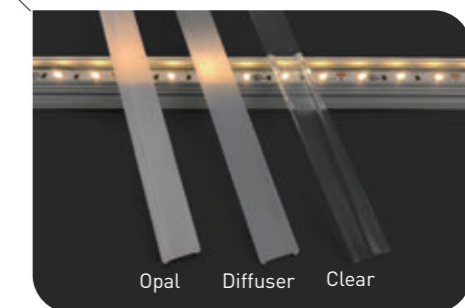
Remark: 1. The tested data based on silver finish in 4000K, CRI 90+ light source. 2. LN-H2835T-80 is good for long run, but it will show light spot.



PROFILE COLORS



LENS



Installation: Skirting Surface Mounted
 Length Available: 1-3m
 Profile Color: Silver, Black Anodized, White Powder Coating
 Lens: Opal, Diffuser, Clear
 Input Cable: Endcaps, Profile Bottom, Profile Sides
 Quick Female/Male Connectors Input cable & Junction Box available

SKIRTING SERIES

► SL401611

SKIRTING SERIES

► SL401611

ORDERING CODE

Luminaire	Finish	Lens	Vol.	Power	CRI	CCT	Input Cable	Connector	Wiring
SL401611	W White	D Diffuser	12 12VDC	2.40W/m	90 90+	22-2200K , 24-2400K , 25-2500K 27-2700K , 30-3000K , 35-3500K 40-4000K , 50-5000K , 65-6500K	01 - Black&Red 22AWG	A - AMP male/female	B - Through profile back
			24 24VDC	5.04W/m					
	B Black	O Opal	24 24VDC	5.18W/m	95 95+	22-2200K , 25-2500K , 27-2700K 30-3000K , 35-3500K , 40-4000K 50-5000K , 65-6500K	02 - Black&White 22AWG	M - Molex male/female	E - Through Endcaps
			36 36VDC	5.76W/m					
	S Silver	C Clear	36 36VDC	6.00W/m	TW	Tunable White - check your executive sales	03 - White PU protected 2 pin	D - DC male/female	S - Through profile side
			48 48VDC	7.68W/m					
				11.52W/m	D2W	Dim To Warm - check your executive sales	04 - 3Pin cable for Tunable white		
				14.40W/m					
				21.60W/m					
				24.00W/m					
			28.80W/m						

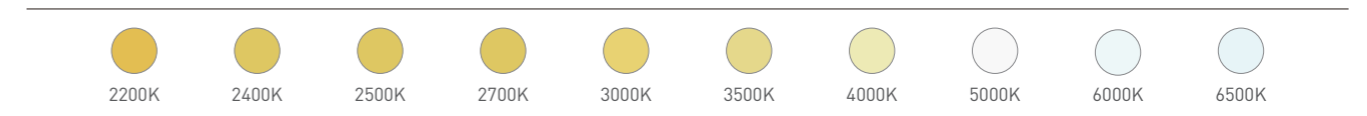
RECOMMENDED LIGHT SOURCE

Performance	Part Code	Led Qty	Input Vol.	Power	CRI	Light Source Lumen	Diffuser Lens Lumen	Cutttable length	Max Run	Pcb Width
General	FN-2835T-60	60pcs/m	12/24VDC	14.40 W/m	90+	1440 lm/m	576 lm/m	12V=25mm 24V=100mm	12V=5m 24V=9m	10 mm
					95+	1238 lm/m	495 lm/m			
High Efficiency	FN-H2835T-64	64pcs/m	24VDC	7.68 W/m	90+	1029 lm/m	412 lm/m	125mm	5m	10 mm
					95+	968 lm/m	387 lm/m			
	FN-H28350-80	80pcs/m	24VDC	14.40W/m	90+	2275 lm/m	910 lm/m	100mm	4m	10 mm
Long Run	LN-2835T-60	60pcs/m	24VDC	5.04 W/m	90+	499 lm/m	200 lm/m	100mm	21m	10mm
					95+	413 lm/m	165 lm/m			
				2.4 W/m	90+	230 lm/m	92 lm/m	100mm	50m	10 mm
					95+	190 lm/m	76 lm/m			
LN-2835T-56	56pcs/m	48VDC	5.76 W/m	90+	668 lm/m	267 lm/m	250mm	35m	10 mm	
				95+	553 lm/m	221 lm/m				
Short Cut	FN-F2835A-60	60pcs/m	12VDC	14.4 W/m	90+	1239 lm/m	472 lm/m	33.3mm	5.5m	10 mm
					95+	979lm/m	392 lm/m			

RECOMMENDED LIGHT SOURCE

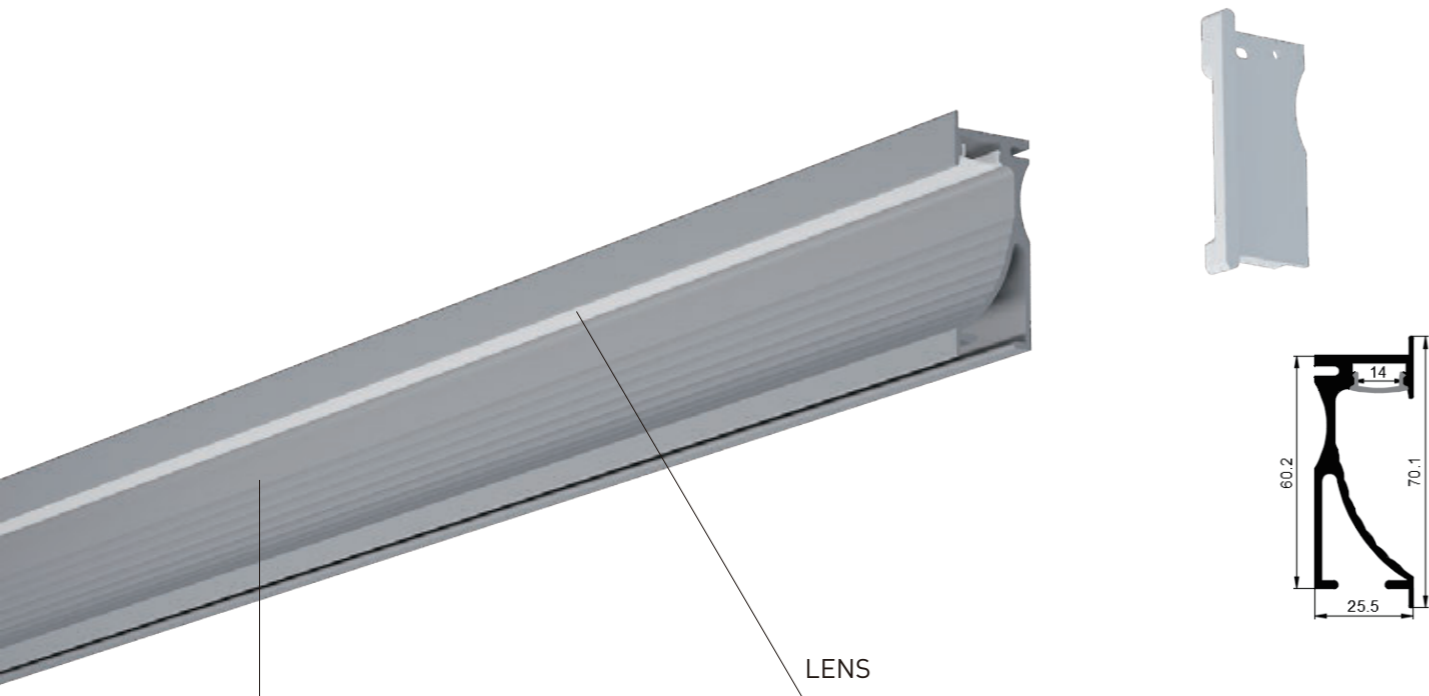
Performance	Part Code	Led Qty	Input Vol.	Power	CRI	Light Source Lumen	Diffuser Lens Lumen	Cutttable length	Max Run	Pcb Width							
General	FN-2835T-120	120pcs/m	12/24VDC	14.40 W/m	90+	1512 lm/m	605 lm/m	12V=25mm 24V=50mm	12V=5m 24V=9m	10 mm							
					95+	1282 lm/m	513 lm/m										
High Efficiency	FN-H2835T-128	128pcs/m	24VDC	11.52 W/m	90+	1613 lm/m	645 lm/m	24V=62.5mm	24V=6m	10 mm							
					95+	1475 lm/m	590 lm/m										
	FN-H28350-160	160pcs/m	24VDC	24 W/m	90+	3480 lm/m	1546 lm/m	50mm	3m	10 mm							
					FN-H2835T-160	160pcs/m	24VDC				14.40 W/m	90+	1987 lm/m	795 lm/m	24V=50mm	24V=5m	10 mm
												95+	1843 lm/m	737 lm/m			
FN-H28350-192	192pcs/m	24VDC	28.8 W/m	90+	4176 lm/m	1854 lm/m	41.7mm	2.5m	10 mm								
				LN-H2835T-80	80pcs/m	36VDC				5.18W/m	90+	580 lm/m	232 lm/m	100mm	50m	10 mm	
											95+	482 lm/m	193 lm/m				
Long Run	LN-H2835T-112	112pcs/m	48VDC	11.52 W/m	90+	1336 lm/m	534 lm/m	125mm	25m	10 mm							
					95+	1106 lm/m	442 lm/m										
	LN-H2835T-120	120pcs/m	24VDC	6.00 W/m	90+	588 lm/m	235 lm/m	50mm	21m	10 mm							
					95+	486 lm/m	194 lm/m										
Short Cut	FN-F2835A-120	120pcs/m	12VDC	21.60 W/m	90+	1922 lm/m	769 lm/m	16.7mm	3.5m	10 mm							
					95+	1595 lm/m	638 lm/m										

Remark: 1. The tested data based on silver finish in 4000K, CRI 90+ light source. 2. LN-H2835T-80 is good for long run, but it will show light spot.



SKIRTING SERIES

► SL702614

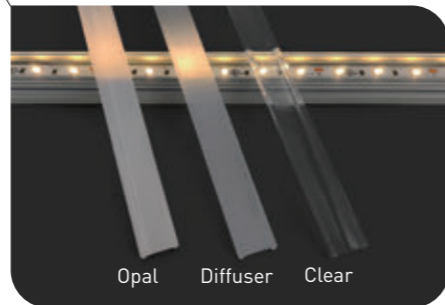


LENS

PROFILE COLORS



Opal Diffuser Clear



Installation: Skirting Surface Mounted
 Length Available: 1-3m
 Profile Color: Silver, Black Anodized, White Powder Coating
 Lens: Opal, Diffuser, Clear
 Input Cable: Endcaps, Profile Bottom, Profile Sides
 Quick Female/Male Connectors Input cable & Junction Box available

SKIRTING SERIES

► SL702614

ORDERING CODE

Luminaire	Finish	Lens	Vol.	Power	CRI	CCT	Input Cable	Connector	Wiring
SL702614	W White	D Diffuser	12 12VDC	2.40W/m	90 90+	22-2200K , 24-2400K , 25-2500K 27-2700K , 30-3000K , 35-3500K 40-4000K , 50-5000K , 65-6500K	01 - Black&Red 22AWG	A - AMP male/female	B - Through profile back
				5.04W/m					
	B Black	O Opal	24 24VDC	5.18W/m	95 95+	22-2200K , 25-2500K , 27-2700K 30-3000K , 35-3500K , 40-4000K 50-5000K , 65-6500K	02 - Black&White 22AWG	M - Molex male/female	E - Through Endcaps
				5.76W/m					
	S Silver	C Clear	36 36VDC	6.00W/m	TW	Tunable White - check your executive sales	03 - White PU protected 2 pin	D - DC male/female	S - Through profile side
				7.68W/m					
				48 48VDC	D2W	Dim To Warm - check your executive sales	04 - 3Pin cable for Tunable white		
				11.52W/m					
				14.40W/m					
				21.60W/m					
				24.00W/m					
				28.80W/m					

RECOMMENDED LIGHT SOURCE

Performance	Part Code	Led Qty	Input Vol.	Power	CRI	Light Source Lumen	Diffuser Lens Lumen	Cutttable length	Max Run	Pcb Width	
General	FN-2835T-60	60pcs/m	12/24VDC	14.40 W/m	90+	1440 lm/m	576 lm/m	12V=25mm 24V=100mm	12V=5m 24V=9m	10 mm	
					95+	1238 lm/m	495 lm/m				
High Efficiency	FN-H2835T-64	64pcs/m	24VDC	7.68 W/m	90+	1029 lm/m	412 lm/m	125mm	5m	10 mm	
					95+	968 lm/m	387 lm/m				
	FN-H28350-80	80pcs/m	24VDC	14.40W/m	90+	2275 lm/m	910 lm/m	100mm	4m	10 mm	
Long Run	LN-2835T-60	60pcs/m	24VDC	5.04 W/m	90+	499 lm/m	200 lm/m	100mm	21m	10mm	
					95+	413 lm/m	165 lm/m				
		LN-2835T-56	56pcs/m	48VDC	5.76 W/m	90+	230 lm/m	92 lm/m	100mm	50m	10 mm
						95+	190 lm/m	76 lm/m			
Short Cut	FN-F2835A-60	60pcs/m	12VDC	14.4 W/m	90+	1239 lm/m	472 lm/m	33.3mm	5.5m	10 mm	
					95+	979lm/m	392 lm/m				

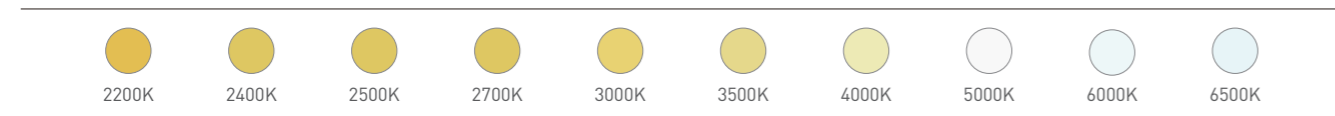
SKIRTING SERIES

► SL702614

RECOMMENDED LIGHT SOURCE

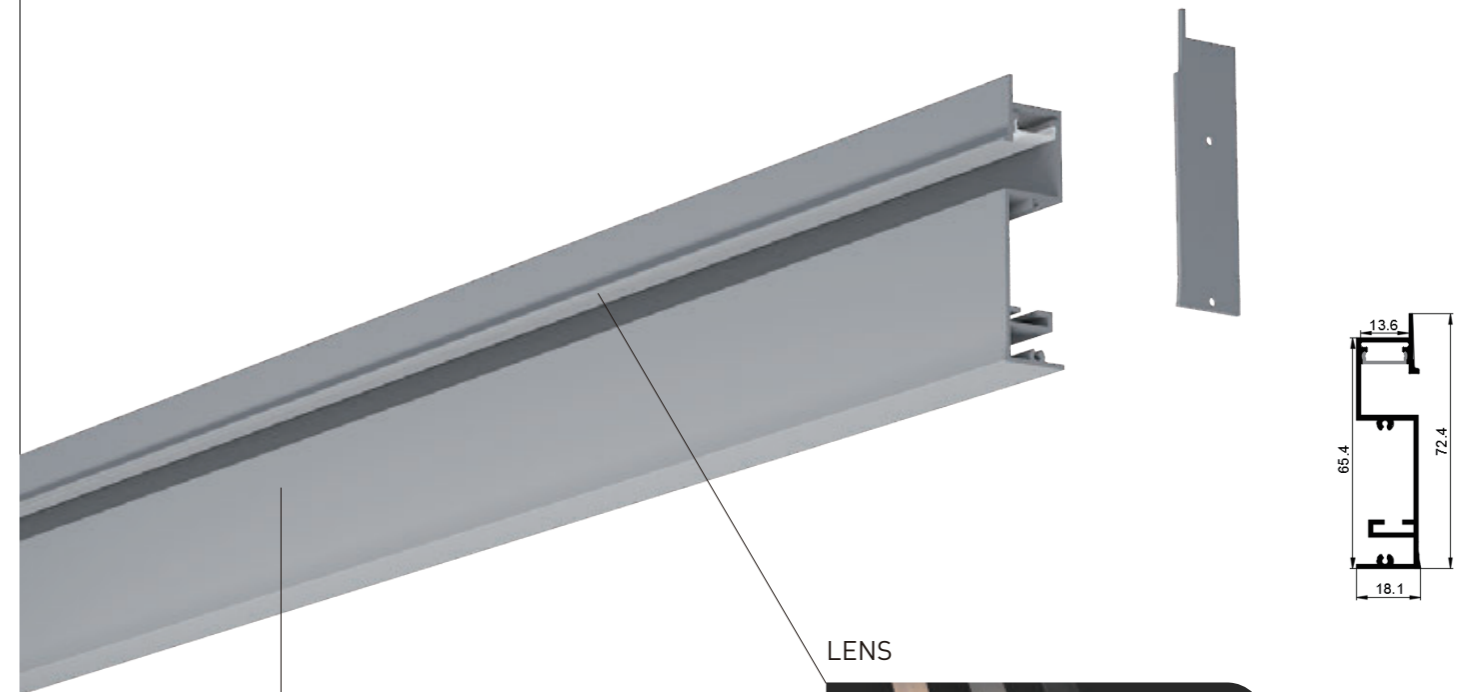
Performance	Part Code	Led Qty	Input Vol.	Power	CRI	Light Source Lumen	Diffuser Lens Lumen	Cutttable length	Max Run	Pcb Width
General	FN-2835T-120	120pcs/m	12/24VDC	14.40 W/m	90+	1512 lm/m	605 lm/m	12V=25mm 24V=50mm	12V=5m 24V=9m	10 mm
					95+	1282 lm/m	513 lm/m			
High Efficiency	FN-H2835T-128	128pcs/m	24VDC	11.52 W/m	90+	1613 lm/m	645 lm/m	24V=62.5mm	24V=6m	10 mm
					95+	1475 lm/m	590 lm/m			
	FN-H28350-160	160pcs/m	24VDC	24 W/m	90+	3480 lm/m	1546 lm/m	50mm	3m	10 mm
	FN-H2835T-160	160pcs/m	24VDC	14.40 W/m	90+	1987 lm/m	795 lm/m	24V=50mm	24V=5m	10 mm
					95+	1843 lm/m	737 lm/m			
FN-H28350-192	192pcs/m	24VDC	28.8 W/m	90+	4176 lm/m	1854 lm/m	41.7mm	2.5m	10 mm	
Long Run	LN-H2835T-80	80pcs/m	36VDC	5.18W/m	90+	580 lm/m	232 lm/m	100mm	50m	10 mm
					95+	482 lm/m	193 lm/m			
	LN-H2835T-112	112pcs/m	48VDC	11.52 W/m	90+	1336 lm/m	534 lm/m	125mm	25m	10 mm
					95+	1106 lm/m	442 lm/m			
	LN-H2835T-120	120pcs/m	24VDC	6.00 W/m	90+	588 lm/m	235 lm/m	50mm	21m	10 mm
					95+	486 lm/m	194 lm/m			
Short Cut	FN-F2835A-120	120pcs/m	12VDC	21.60 W/m	90+	1922 lm/m	769 lm/m	16.7mm	3.5m	10 mm
					95+	1595 lm/m	638 lm/m			

Remark: 1. The tested data based on silver finish in 4000K, CRI 90+ light source. 2. LN-H2835T-80 is good for long run, but it will show light spot.



SKIRTING SERIES

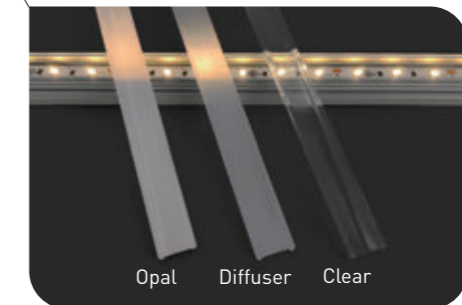
► SL731813



PROFILE COLORS



LENS



Installation: Skirting Surface Mounted
 Length Available: 1-3m
 Profile Color: Silver, Black Anodized, White Powder Coating
 Lens: Opal, Diffuser, Clear
 Input Cable: Endcaps, Profile Bottom, Profile Sides
 Quick Female/Male Connectors Input cable & Junction Box available

SKIRTING SERIES

► SL731813

SKIRTING SERIES

► SL731813

ORDERING CODE

Luminaire	Finish	Lens	Vol.	Power	CRI	CCT	Input Cable	Connector	Wiring
SL731813	W White	D Diffuser	12 12VDC	2.40W/m	90 90+	22-2200K , 24-2400K , 25-2500K 27-2700K , 30-3000K , 35-3500K 40-4000K , 50-5000K , 65-6500K	01 - Black&Red 22AWG	A - AMP male/female	B - Through profile back
			24 24VDC	5.04W/m					
	B Black	O Opal	24 24VDC	5.18W/m	95 95+	22-2200K , 25-2500K , 27-2700K 30-3000K , 35-3500K , 40-4000K 50-5000K , 65-6500K	02 - Black&White 22AWG	M - Molex male/female	E - Through Endcaps
			36 36VDC	5.76W/m					
	S Silver	C Clear	36 36VDC	6.00W/m	TW	Tunable White - check your executive sales	03 - White PU protected 2 pin	D - DC male/female	S - Through profile side
			48 48VDC	7.68W/m					
				11.52W/m	D2W	Dim To Warm - check your executive sales	04 - 3Pin cable for Tunable white		
				14.40W/m					
				21.60W/m					
				24.00W/m					
			28.80W/m						

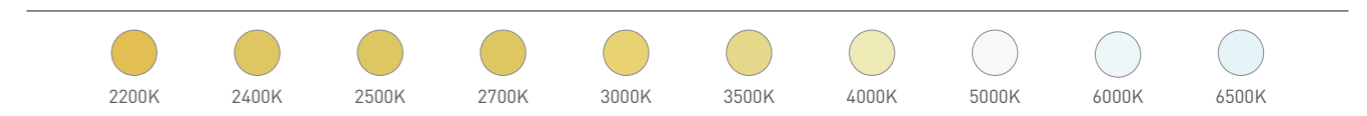
RECOMMENDED LIGHT SOURCE

Performance	Part Code	Led Qty	Input Vol.	Power	CRI	Light Source Lumen	Diffuser Lens Lumen	Cutttable length	Max Run	Pcb Width
General	FN-2835T-60	60pcs/m	12/24VDC	14.40 W/m	90+	1440 lm/m	576 lm/m	12V=25mm 24V=100mm	12V=5m 24V=9m	10 mm
					95+	1238 lm/m	495 lm/m			
High Efficiency	FN-H2835T-64	64pcs/m	24VDC	7.68 W/m	90+	1029 lm/m	412 lm/m	125mm	5m	10 mm
					95+	968 lm/m	387 lm/m			
	FN-H28350-80	80pcs/m	24VDC	14.40W/m	90+	2275 lm/m	910 lm/m	100mm	4m	10 mm
Long Run	LN-2835T-60	60pcs/m	24VDC	5.04 W/m	90+	499 lm/m	200 lm/m	100mm	21m	10mm
					95+	413 lm/m	165 lm/m			
				2.4 W/m	90+	230 lm/m	92 lm/m	100mm	50m	10 mm
					95+	190 lm/m	76 lm/m			
LN-2835T-56	56pcs/m	48VDC	5.76 W/m	90+	668 lm/m	267 lm/m	250mm	35m	10 mm	
				95+	553 lm/m	221 lm/m				
Short Cut	FN-F2835A-60	60pcs/m	12VDC	14.4 W/m	90+	1239 lm/m	472 lm/m	33.3mm	5.5m	10 mm
					95+	979lm/m	392 lm/m			

RECOMMENDED LIGHT SOURCE

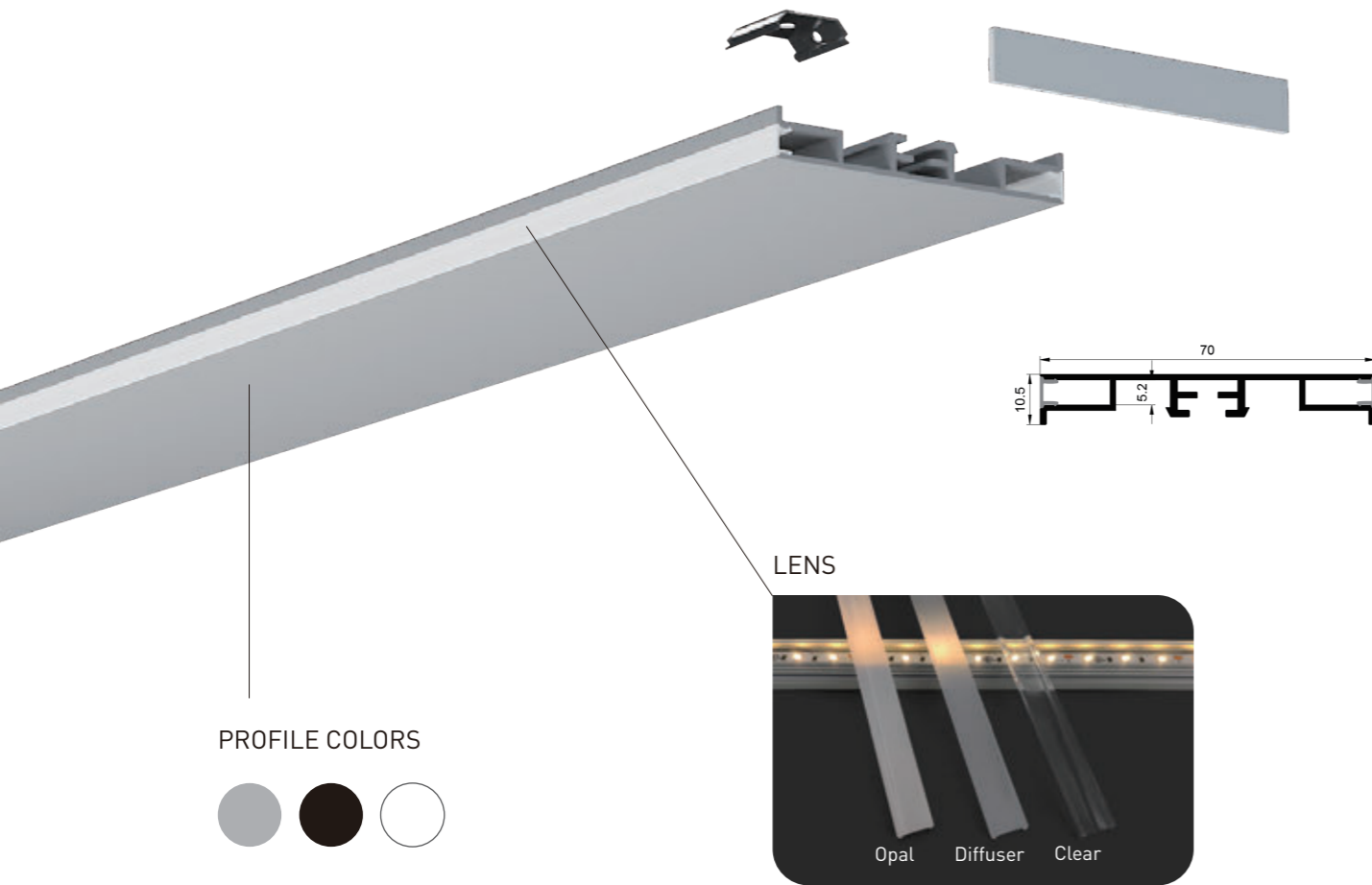
Performance	Part Code	Led Qty	Input Vol.	Power	CRI	Light Source Lumen	Diffuser Lens Lumen	Cutttable length	Max Run	Pcb Width							
General	FN-2835T-120	120pcs/m	12/24VDC	14.40 W/m	90+	1512 lm/m	605 lm/m	12V=25mm 24V=50mm	12V=5m 24V=9m	10 mm							
					95+	1282 lm/m	513 lm/m										
High Efficiency	FN-H2835T-128	128pcs/m	12/24VDC	11.52 W/m	90+	1613 lm/m	645 lm/m	24V=62.5mm	24V=6m	10 mm							
					95+	1475 lm/m	590 lm/m										
	FN-H28350-160	160pcs/m	24VDC	24 W/m	90+	3480 lm/m	1546 lm/m	50mm	3m	10 mm							
					FN-H2835T-160	160pcs/m	12/24VDC				14.40 W/m	90+	1987 lm/m	795 lm/m	24V=50mm	24V=5m	10 mm
												95+	1843 lm/m	737 lm/m			
FN-H28350-192	192pcs/m	24VDC	28.8 W/m	90+	4176 lm/m	1854 lm/m	41.7mm	2.5m	10 mm								
Long Run	LN-H2835T-80	80pcs/m	36VDC	5.18W/m	90+	580 lm/m	232 lm/m	100mm	50m	10 mm							
					95+	482 lm/m	193 lm/m										
	LN-H2835T-112	112pcs/m	48VDC	11.52 W/m	90+	1336 lm/m	534 lm/m	125mm	25m	10 mm							
					95+	1106 lm/m	442 lm/m										
	LN-H2835T-120	120pcs/m	24VDC	6.00 W/m	90+	588 lm/m	235 lm/m	50mm	21m	10 mm							
					95+	486 lm/m	194 lm/m										
Short Cut	FN-F2835A-120	120pcs/m	12VDC	21.60 W/m	90+	1922 lm/m	769 lm/m	16.7mm	3.5m	10 mm							
					95+	1595 lm/m	638 lm/m										

Remark: 1. The tested data based on siliver finish in 4000K, CRI 90+ light source. 2. LN-H2835T-80 is good for long run, but it will show light spot.



SKIRTING SERIES

► SL701105



Installation: Skirting Surface Mounted
 Length Available: 1-3m
 Profile Color: Silver, Black Anodized, White Powder Coating
 Lens: Opal, Diffuser, Clear
 Input Cable: Endcaps, Profile Bottom, Profile Sides
 Quick Female/Male Connectors Input cable & Junction Box available

SKIRTING SERIES

► SL701105

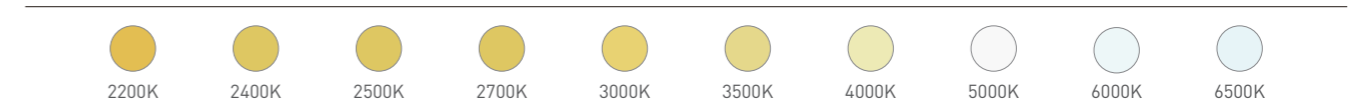
ORDERING CODE

Luminaire	Finish	Lens	Vol.	Power	CRI	CCT	Input Cable	Connector	Wiring
SL701105	W White	D Diffuser	12 12VDC	9.6 W/m	90 90+	22-2200K , 24-2400K , 25-2500K 27-2700K , 30-3000K , 35-3500K 40-4000K , 50-5000K , 65-6500K	01 - Black&Red 22AWG	A - AMP male/female	B - Through profile back
	B Black	O Opal	24 24VDC	19.2 W/m	95 95+	22-2200K , 25-2500K , 27-2700K 30-3000K , 35-3500K , 40-4000K 50-5000K , 65-6500K	02 - Black&White 22AWG	M - Molex male/female	E - Through Endcaps
	S Silver	C Clear	36 36VDC	24.28 W/m			03 - White PU protected 2 pin	D - DC male/female	S - Through profile side
			48 48VDC	57.6 W/m			04 - 3Pin cable for Tunable white		
					TW	Tunable White - check your executive sales			
					D2W	Dim To Warm - check your executive sales			

RECOMMENDED LIGHT SOURCE

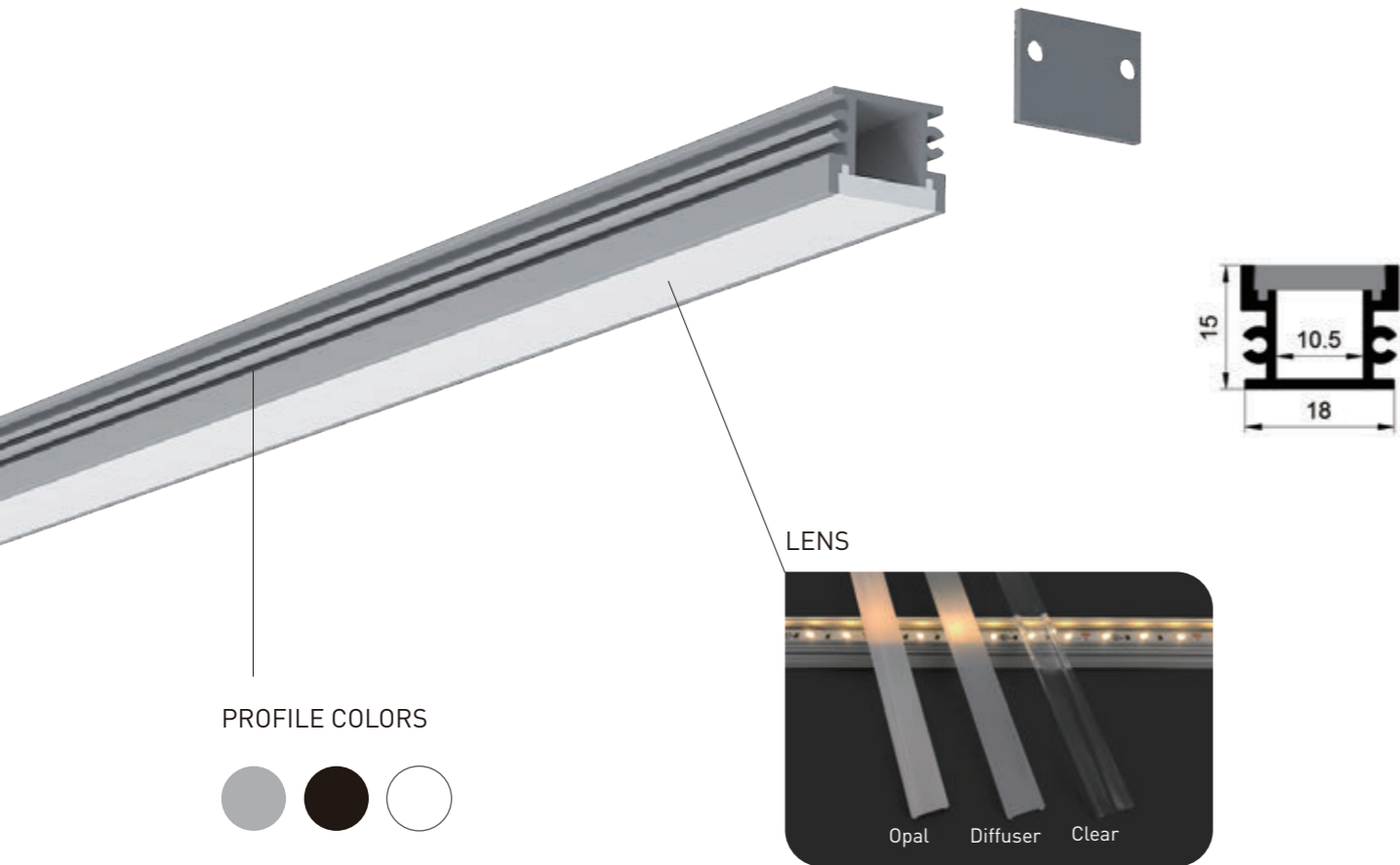
Part Code	Led Qty	Input Vol.	Power	CRI	Light Source Lumen	Diffuser Lens Lumen	Cutttable length	Max Run	Pcb Width
MN-2835A-60	60pcs/m	12/24VDC	9.6 W/m	90+	956 lm/m	372 lm/m	12V=25mm 24V=100mm	12V=3m 24V=5m	5 mm
				95+	794 lm/m	309 lm/m			
MN-2835A-120	120pcs/m	12/24VDC	19.2 W/m	90+	1912 lm/m	745 lm/m	12V=25mm 24V=50mm	12V=1.5m 24V=3m	4 mm
				95+	1587 lm/m	619 lm/m			
MN-2110-238	238pcs/m	24VDC	24.28 W/m	90+	2252 lm/m	878 lm/m	29.4mm	2m	4 mm
				95+	1869 lm/m	728 lm/m			
MN-5630A-60	60pcs/m	24VDC	57.6 W/m	90+	3800 lm/m	1482 lm/m	100mm	2m	6 mm
				95+	3154 lm/m	1230 lm/m			

Remark: 1. The tested data based on silver finish in 4000K, CRI 90+ light source.

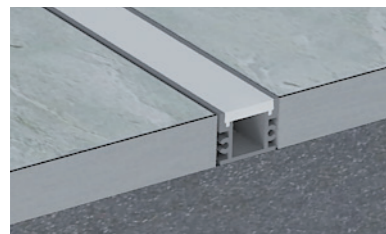
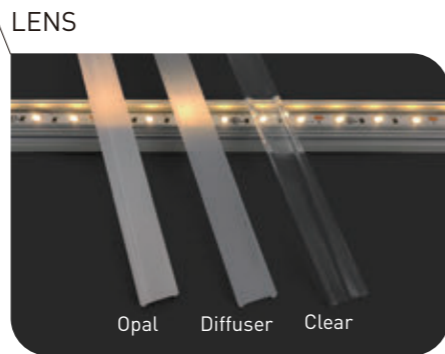


INGROUND SERIES

► SL181410



PROFILE COLORS



Installation: Inground Trimless Recessed
 Length Available: 1-3m
 Profile Color: Silver, Black Anodized, White Powder Coating
 Lens: Opal, Diffuser, Clear
 Input Cable: Endcaps, Profile Bottom, Profile Sides
 Quick Female/Male Connectors Input cable & Junction Box available

INGROUND SERIES

► SL181410

ORDERING CODE

Luminaire	Finish	Lens	Vol.	Power	CRI	CCT	Input Cable	Connector	Wiring
SL181410	W White	D Diffuser	12 12VDC	5.18W/m	90 90+	22-2200K , 24-2400K , 25-2500K 27-2700K , 30-3000K , 35-3500K 40-4000K , 50-5000K , 65-6500K	01 - Black&Red 22AWG 02 - Black&White 22AWG 03 - White PU protected 2 pin 04 - 3Pin cable for Tunable white	A - AMP male/female M - Molex male/female D - DC male/female	B - Through profile back E - Through Endcaps S - Through profile side
	B Black	O Opal	24 24VDC	11.52W/m	95 95+	22-2200K , 25-2500K , 27-2700K 30-3000K , 35-3500K , 40-4000K 50-5000K , 65-6500K			
	S Silver	C Clear	36 36VDC	14.40W/m	TW	Tunable White - check your executive sales			
			48 48VDC	21.60W/m 24.00W/m 28.80W/m	D2W	Dim To Warm - check your executive sales			

RECOMMENDED LIGHT SOURCE

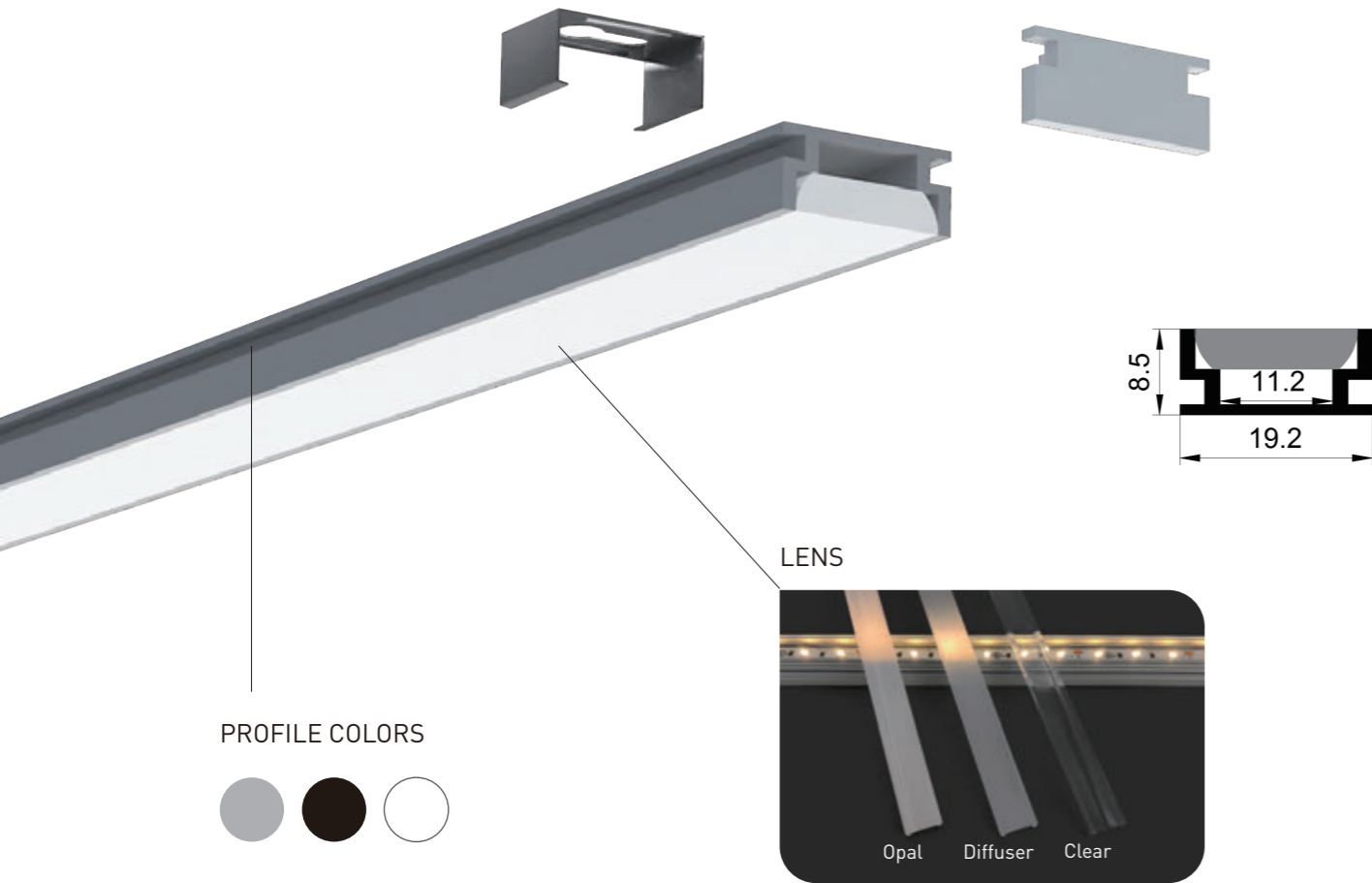
Performance	Part Code	Led Qty	Input Vol.	Power	CRI	Light Source Lumen	Diffuser Lens Lumen	Cuttable length	Max Run	Pcb Width
General	FN-2835T-120	120pcs/m	12/24VDC	14.40 W/m	90+	1512 lm/m	605 lm/m	12V=25mm 24V=50mm	12V=5m 24V=9m	10 mm
					95+	1282 lm/m	513 lm/m			
High Efficiency	FN-H2835T-128	128pcs/m	24VDC	11.52 W/m	90+	1613 lm/m	645 lm/m	24V=62.5mm	24V=6m	10 mm
					95+	1475 lm/m	590 lm/m			
	FN-H28350-160	160pcs/m	24VDC	24 W/m	90+	3480 lm/m	1546 lm/m	50mm	3m	10 mm
					95+	1987 lm/m	795 lm/m			
FN-H2835T-160	160pcs/m	24VDC	14.40 W/m	90+	1843 lm/m	737 lm/m	24V=50mm	24V=5m	10 mm	
				95+	1843 lm/m	737 lm/m				
FN-H28350-192	192pcs/m	24VDC	28.8 W/m	90+	4176 lm/m	1854 lm/m	41.7mm	2.5m	10 mm	
Long Run	LN-H2835T-80	80pcs/m	36VDC	5.18W/m	90+	580 lm/m	232 lm/m	100mm	50m	10 mm
					95+	482 lm/m	193 lm/m			
	LN-H2835T-112	112pcs/m	48VDC	11.52 W/m	90+	1336 lm/m	534 lm/m	125mm	25m	10 mm
					95+	1106 lm/m	442 lm/m			
	LN-H2835T-120	120pcs/m	24VDC	6.00 W/m	90+	588 lm/m	235 lm/m	50mm	21m	10 mm
					95+	486 lm/m	194 lm/m			
FN-F2835A-120	120pcs/m	12VDC	21.60 W/m	90+	1922 lm/m	769 lm/m	16.7mm	3.5m	10 mm	
95+	1595 lm/m	638 lm/m								

Remark: 1. The tested data based on silver finish in 4000K, CRI 90+ light source. 2. LN-H2835T-80 is good for long run, but it will show light spot.



INGROUND SERIES

► SL190811



Installation: Inground Trimless Recessed
 Length Available: 1-3m
 Profile Color: Silver, Black Anodized, White Powder Coating
 Lens: Opal, Diffuser, Clear
 Input Cable: Endcaps, Profile Bottom, Profile Sides
 Quick Female/Male Connectors Input cable & Junction Box available

INGROUND SERIES

► SL190811

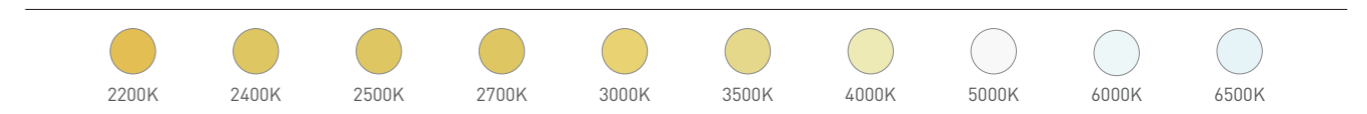
ORDERING CODE

Luminaire	Finish	Lens	Vol.	Power	CRI	CCT	Input Cable	Connector	Wiring
SL190811	W White	D Diffuser	24 24VDC	12.96W/m 17.28W/m	90 90+	22-2200K , 24-2400K 25-2500K , 27-2700K 30-3000K , 35-3500K 40-4000K , 50-5000K 65-6500K	01 - Black&Red 22AWG 02 - Black&White 22AWG 03 - White PU protected 2 pin 04 - 3Pin cable for Tunable white	A - AMP male/female M - Molex male/female D - DC male/female	B - Through profile back E - Through Endcaps S - Through profile side
	B Black	O Opal							
	S Silver	C Clear							
	TW	Tunable White - check your executive sales							
D2W	Dim To Warm - check your executive sales								

RECOMMENDED LIGHT SOURCE

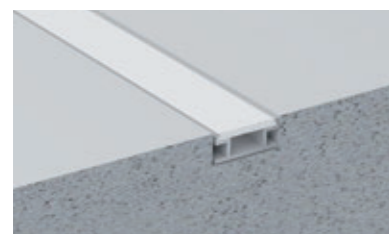
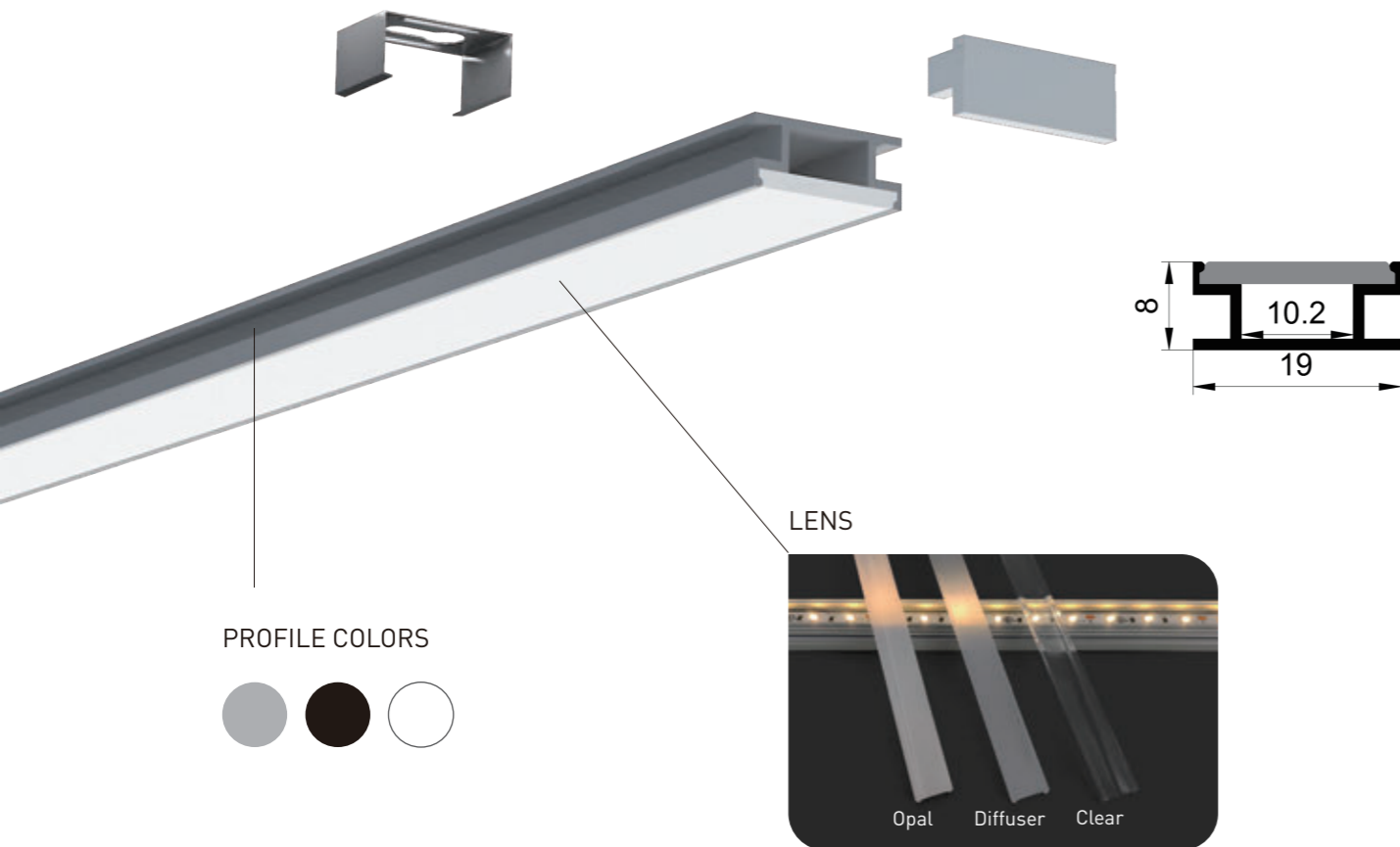
Part Code	Led Qty	Input Vol.	Power	CRI	Light Source Lumen	Diffuser Lens Lumen	Cutttable length	Max Run	Pcb Width
FN-2016-180	180pcs/m	24VDC	12.96W/m	90+	1000 lm/m	400 lm/m	33mm	3m	10mm
FN-2016-240	240pcs/m		17.28W/m	90+	1300 lm/m	520 lm/m	25mm		

Remark: The tested data based on silver finish in 4000K, CRI 90+ light source.



INGROUND SERIES

► SL1908B10



Installation: Inground Trimless Recessed
 Length Available: 1-3m
 Profile Color: Silver, Black Anodized, White Powder Coating
 Lens: Opal, Diffuser, Clear
 Input Cable: Endcaps, Profile Bottom, Profile Sides
 Quick Female/Male Connectors Input cable & Junction Box available

INGROUND SERIES

► SL1908B10

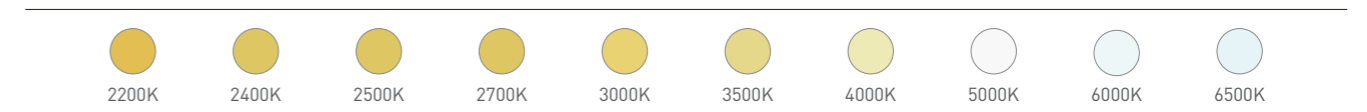
ORDERING CODE

Luminaire	Finish	Lens	Vol.	Power	CRI	CCT	Input Cable	Connector	Wiring
SL1908B10	W White	D Diffuser	24 24VDC	12.96W/m 17.28W/m	90 90+	22-2200K , 24-2400K 25-2500K , 27-2700K 30-3000K , 35-3500K 40-4000K , 50-5000K 65-6500K	01 - Black&Red 22AWG 02 - Black&White 22AWG 03 - White PU protected 2 pin 04 - 3Pin cable for Tunable white	A - AMP male/female M - Molex male/female D - DC male/female	B - Through profile back E - Through Endcaps S - Through profile side
	B Black	O Opal							
	S Silver	C Clear							
					TW	Tunable White - check your executive sales			
					D2W	Dim To Warm - check your executive sales			

RECOMMENDED LIGHT SOURCE

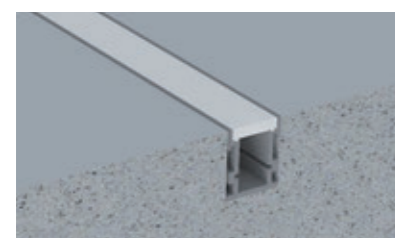
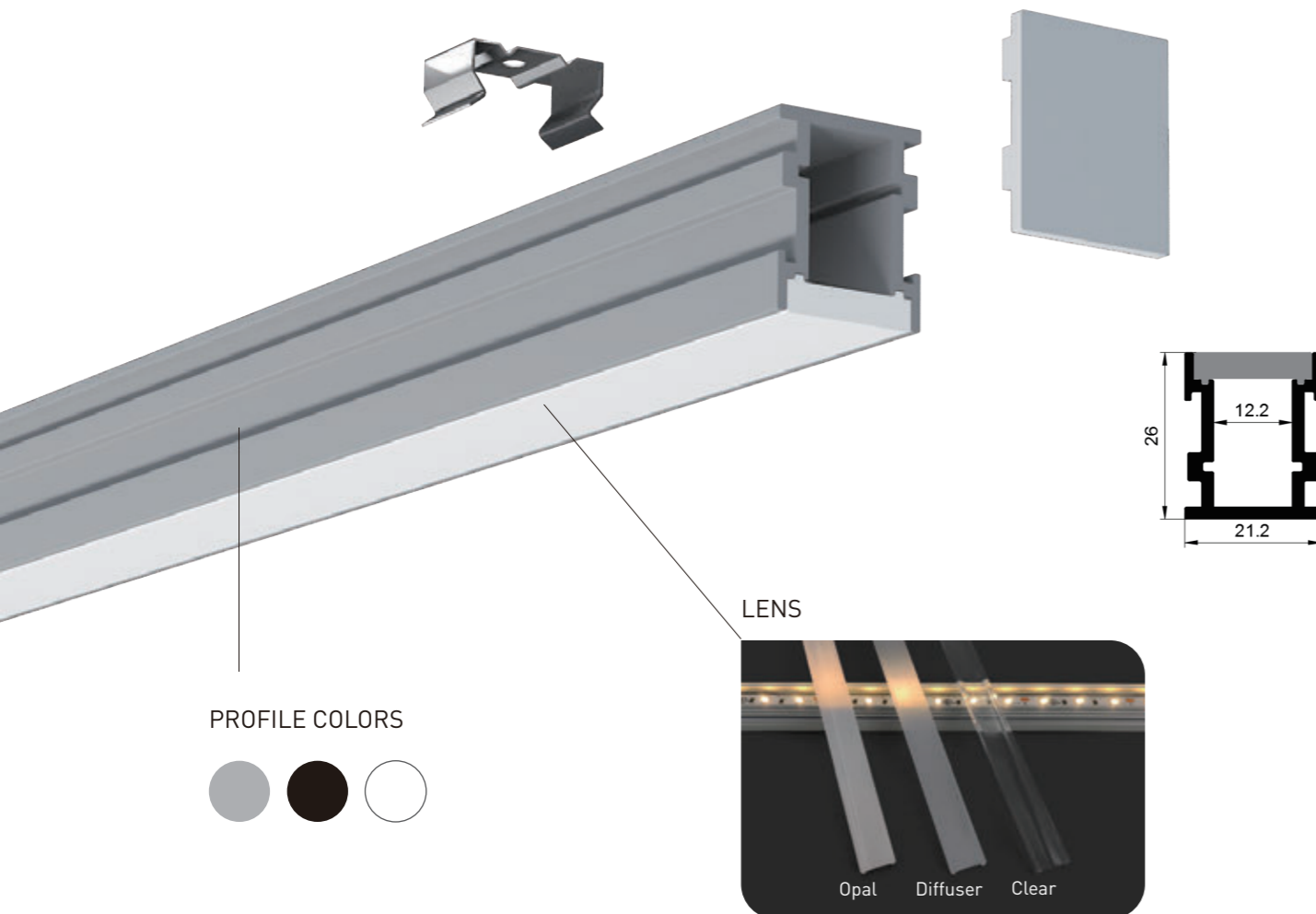
Part Code	Led Qty	Input Vol.	Power	CRI	Light Source Lumen	Diffuser Lens Lumen	Cutttable length	Max Run	Pcb Width
FN-2016-180	180pcs/m	24VDC	12.96W/m	90+	1000 lm/m	400 lm/m	33mm	3m	10mm
FN-2016-240	240pcs/m		17.28W/m	90+	1300 lm/m	520 lm/m	25mm		

Remark: The tested data based on silver finish in 4000K, CRI 90+ light source.



INGROUND SERIES

► SL212612



Installation: Inground Trimless Recessed
 Length Available: 1-3m
 Profile Color: Silver, Black Anodized, White Powder Coating
 Lens: Opal, Diffuser, Clear
 Input Cable: Endcaps, Profile Bottom, Profile Sides
 Quick Female/Male Connectors Input cable & Junction Box available

INGROUND SERIES

► SL212612

ORDERING CODE

Luminaire	Finish	Lens	Vol.	Power	CRI	CCT	Input Cable	Connector	Wiring
SL212612	W White	D Diffuser	12 12VDC	14.40W/m	90 90+	22-2200K , 24-2400K , 25-2500K 27-2700K , 30-3000K , 35-3500K 40-4000K , 50-5000K , 65-6500K	01 - Black&Red 22AWG	A - AMP male/female	B - Through profile back
	B Black	O Opal	24 24VDC	24.00W/m	95 95+	22-2200K , 25-2500K , 27-2700K 30-3000K , 35-3500K , 40-4000K 50-5000K , 65-6500K	02 - Black&White 22AWG	M - Molex male/female	E - Through Endcaps
	S Silver	C Clear	36 36VDC	28.80W/m	TW	Tunable White - check your executive sales	03 - White PU protected 2 pin	D - DC male/female	S - Through profile side
			48 48VDC	5.18W/m 6.00W/m 21.60W/m	D2W	Dim To Warm - check your executive sales	04 - 3Pin cable for Tunable white		

RECOMMENDED LIGHT SOURCE

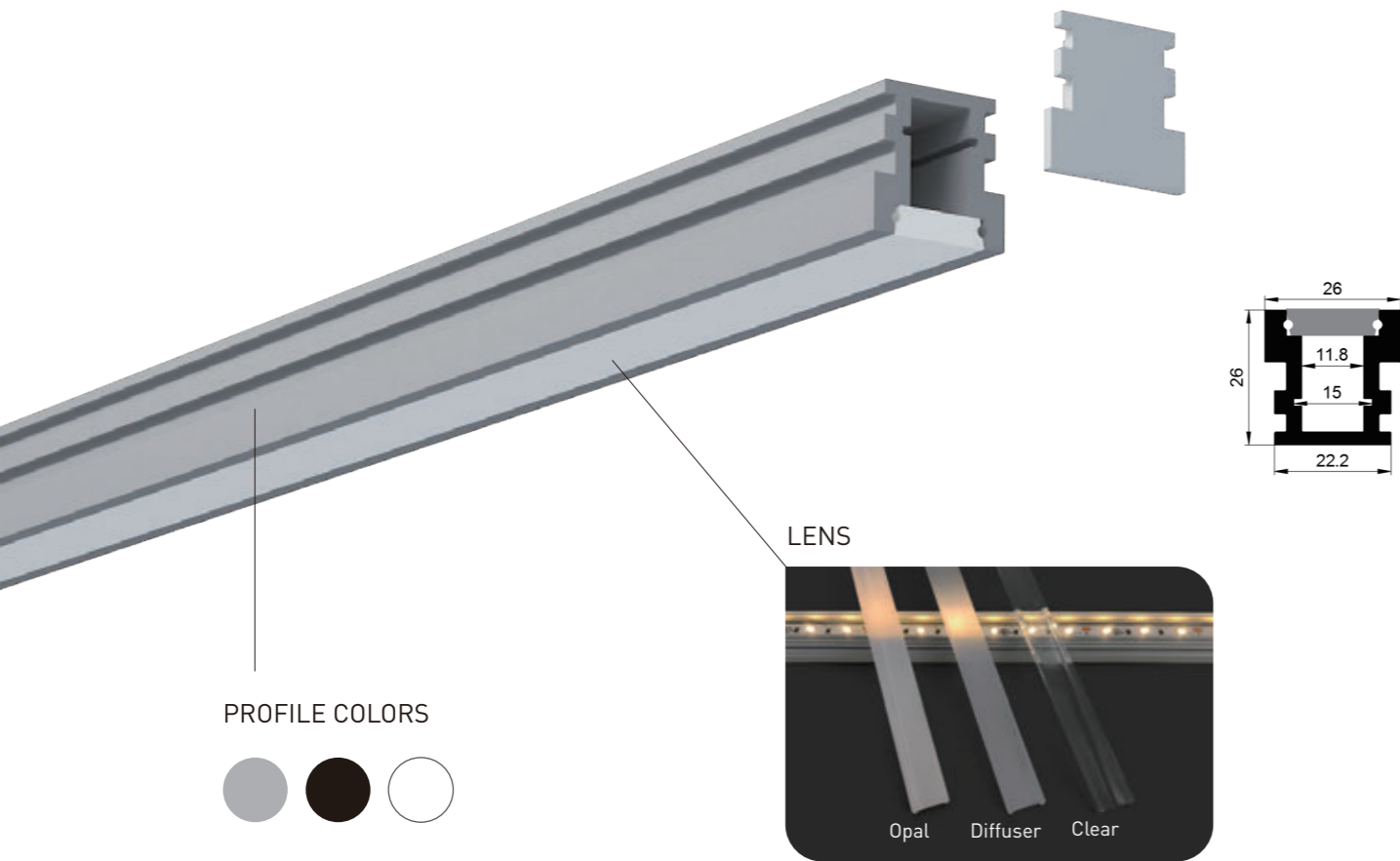
Performance	Part Code	Led Qty	Input Vol.	Power	CRI	Light Source Lumen	Diffuser Lens Lumen	Cuttable length	Max Run	Pcb Width
General	FN-2835T-120	120pcs/m	12/24VDC	14.40 W/m	90+	1512 lm/m	605 lm/m	12V=25mm 24V=50mm	12V=5m 24V=9m	10 mm
					95+	1282 lm/m	513 lm/m			
High Efficiency	FN-H2835T-128	128pcs/m	24VDC	11.52 W/m	90+	1613 lm/m	645 lm/m	24V=62.5mm	24V=6m	10 mm
				95+	1475 lm/m	590 lm/m				
	FN-H28350-160	160pcs/m	24VDC	24 W/m	90+	3480 lm/m	1546 lm/m	50mm	3m	10 mm
	FN-H2835T-160	160pcs/m	24VDC	14.40 W/m	90+	1987 lm/m	795 lm/m	24V=50mm	24V=5m	10 mm
			95+	1843 lm/m	737 lm/m					
Long Run	FN-H28350-192	192pcs/m	24VDC	28.8 W/m	90+	4176 lm/m	1854 lm/m	41.7mm	2.5m	10 mm
	LN-H2835T-80	80pcs/m	36VDC	5.18W/m	90+	580 lm/m	232 lm/m	100mm	50m	10 mm
				95+	482 lm/m	193 lm/m				
	LN-H2835T-112	112pcs/m	48VDC	11.52 W/m	90+	1336 lm/m	534 lm/m	125mm	25m	10 mm
				95+	1106 lm/m	442 lm/m				
	LN-H2835T-120	120pcs/m	24VDC	6.00 W/m	90+	588 lm/m	235 lm/m	50mm	21m	10 mm
			95+	486 lm/m	194 lm/m					
Short Cut	FN-F2835A-120	120pcs/m	12VDC	21.60 W/m	90+	1922 lm/m	769 lm/m	16.7mm	3.5m	10 mm
					95+	1595 lm/m	638 lm/m			

Remark: 1. The tested data based on silver finish in 4000K, CRI 90+ light source. 2. LN-H2835T-80 is good for long run, but it will show light spot.



INGROUND SERIES

► SL262611



Installation: Inground Trimless Recessed
 Length Available: 1-3m
 Profile Color: Silver, Black Anodized, White Powder Coating
 Lens: Opal, Diffuser, Clear
 Input Cable: Endcaps, Profile Bottom, Profile Sides
 Quick Female/Male Connectors Input cable & Junction Box available

INGROUND SERIES

► SL262611

ORDERING CODE

Luminaire	Finish	Lens	Vol.	Power	CRI	CCT	Input Cable	Connector	Wiring
SL262611	W White	D Diffuser	12 12VDC	5.18W/m	90 90+	22-2200K , 24-2400K , 25-2500K 27-2700K , 30-3000K , 35-3500K 40-4000K , 50-5000K , 65-6500K	01 - Black&Red 22AWG 02 - Black&White 22AWG 03 - White PU protected 2 pin 04 - 3Pin cable for Tunable white	A - AMP male/female M - Molex male/female D - DC male/female	B - Through profile back E - Through Endcaps S - Through profile side
	B Black	O Opal	24 24VDC	11.52W/m					
	S Silver	C Clear	36 36VDC	14.40W/m					
			48 48VDC	21.60W/m 24.00W/m 28.80W/m					
					TW	Tunable White - check your executive sales			
					D2W	Dim To Warm - check your executive sales			

RECOMMENDED LIGHT SOURCE

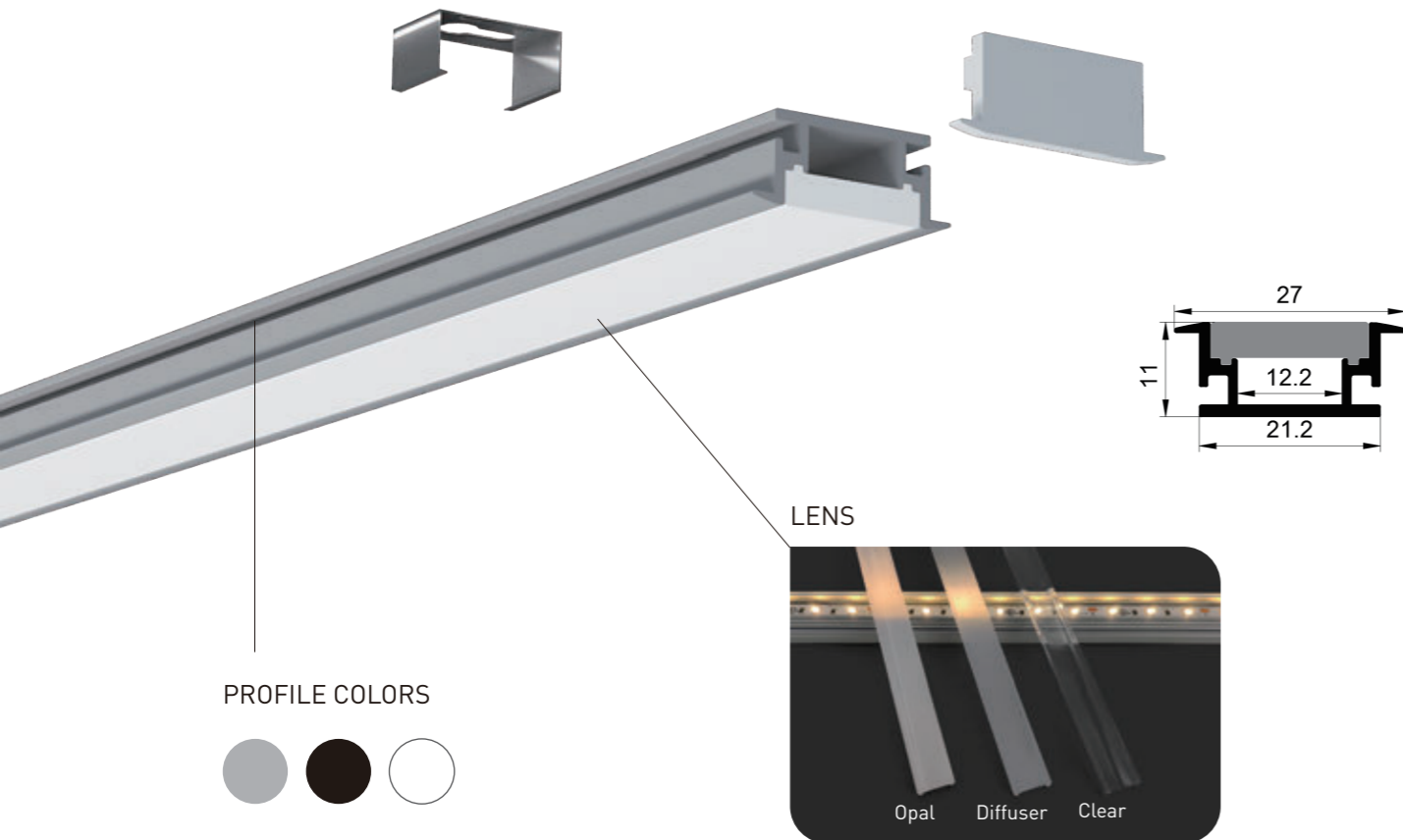
Performance	Part Code	Led Qty	Input Vol.	Power	CRI	Light Source Lumen	Diffuser Lens Lumen	Cuttable length	Max Run	Pcb Width
General	FN-2835T-120	120pcs/m	12/24VDC	14.40 W/m	90+	1512 lm/m	605 lm/m	12V=25mm 24V=50mm	12V=5m 24V=9m	10 mm
					95+	1282 lm/m	513 lm/m			
High Efficiency	FN-H2835T-128	128pcs/m	24VDC	11.52 W/m	90+	1613 lm/m	645 lm/m	24V=62.5mm	24V=6m	10 mm
					95+	1475 lm/m	590 lm/m			
	FN-H28350-160	160pcs/m	24VDC	24 W/m	90+	3480 lm/m	1546 lm/m	50mm	3m	10 mm
					95+	1987 lm/m	795 lm/m			
Long Run	LN-H2835T-80	80pcs/m	36VDC	5.18W/m	90+	580 lm/m	232 lm/m	100mm	50m	10 mm
					95+	482 lm/m	193 lm/m			
	LN-H2835T-112	112pcs/m	48VDC	11.52 W/m	90+	1336 lm/m	534 lm/m	125mm	25m	10 mm
95+					1106 lm/m	442 lm/m				
Short Cut	FN-F2835A-120	120pcs/m	12VDC	21.60 W/m	90+	588 lm/m	235 lm/m	50mm	21m	10 mm
					95+	1922 lm/m	769 lm/m			
					95+	1595 lm/m	638 lm/m	16.7mm	3.5m	10 mm

Remark: 1. The tested data based on silver finish in 4000K, CRI 90+ light source. 2. LN-H2835T-80 is good for long run, but it will show light spot.



INGROUND SERIES

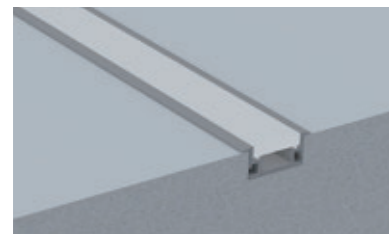
► SL271112



PROFILE COLORS



Opal Diffuser Clear



Installation: Inground Trimed Recessed
 Length Available: 1-3m
 Profile Color: Silver, Black Anodized, White Powder Coating
 Lens: Opal, Diffuser, Clear
 Input Cable: Endcaps, Profile Bottom, Profile Sides
 Quick Female/Male Connectors Input cable & Junction Box available

INGROUND SERIES

► SL271112

ORDERING CODE

Luminaire	Finish	Lens	Vol.	Power	CRI	CCT	Input Cable	Connector	Wiring
SL271112	W White B Black S Silver	D Diffuser O Opal C Clear	24 24VDC	12.96W/m 17.28W/m	90 90+	22-2200K, 24-2400K 25-2500K, 27-2700K 30-3000K, 35-3500K 40-4000K, 50-5000K 65-6500K	01 - Black&Red 22AWG 02 - Black&White 22AWG 03 - White PU protected 2 pin 04 - 3Pin cable for Tunable white	A - AMP male/female M - Molex male/female D - DC male/female	B - Through profile back E - Through Endcaps S - Through profile side
					TW	Tunable White - check your executive sales			
					D2W	Dim To Warm - check your executive sales			

RECOMMENDED LIGHT SOURCE

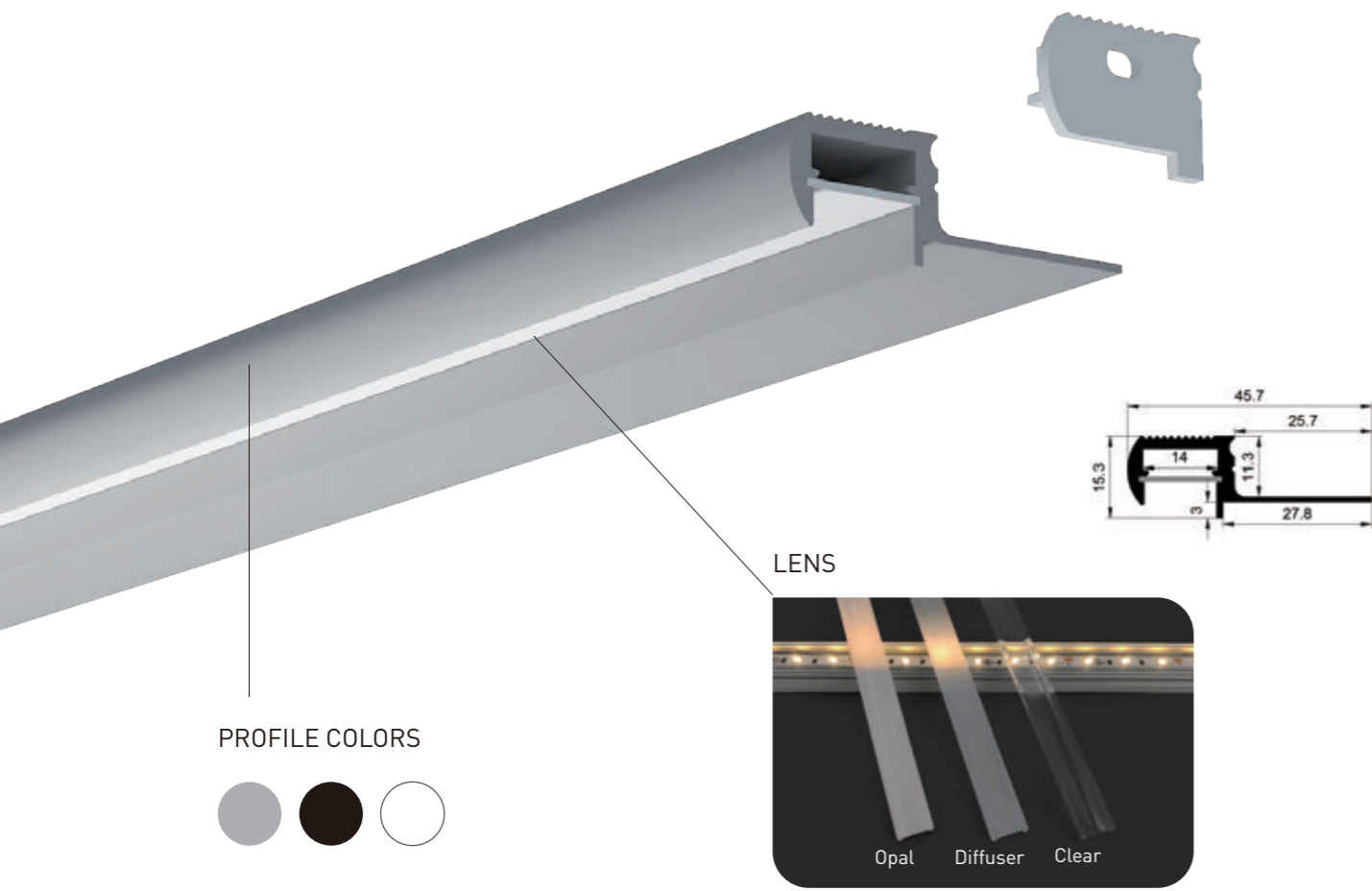
Part Code	Led Qty	Input Vol.	Power	CRI	Light Source Lumen	Diffuser Lens Lumen	Cutttable length	Max Run	Pcb Width
FN-2016-180	180pcs/m	24VDC	12.96W/m	90+	1000 lm/m	400 lm/m	33mm	3m	10mm
FN-2016-240	240pcs/m		17.28W/m	90+	1300 lm/m	520 lm/m	25mm		

Remark: The tested data based on silver finish in 4000K, CRI 90+ light source.



STAIRS SERIES

► SL451514



STAIRS SERIES

► SL451514

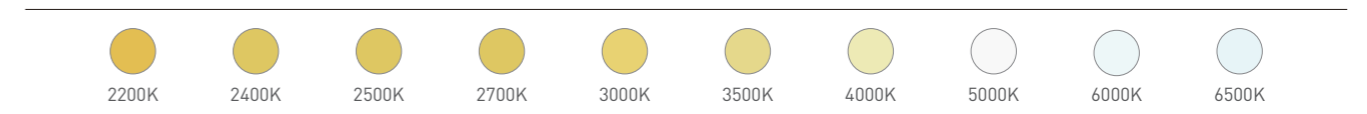
ORDERING CODE

Luminaire	Finish	Lens	Vol.	Power	CRI	CCT	Input Cable	Connector	Wiring		
SL451514	W White	D Diffuser	24 24VDC	12.96W/m 17.28W/m	90 90+	22-2200K , 24-2400K 25-2500K , 27-2700K 30-3000K , 35-3500K 40-4000K , 50-5000K 65-6500K	01 - Black&Red 22AWG	A - AMP male/female	B - Through profile back		
	B Black	O Opal								M - Molex male/female	E - Through Endcaps
	S Silver	C Clear								D - DC male/female	S - Through profile side
					TW	Tunable White - check your executive sales	03 - White PU protected 2 pin				
					D2W	Dim To Warm - check your executive sales	04 - 3Pin cable for Tunable white				

RECOMMENDED LIGHT SOURCE

Part Code	Led Qty	Input Vol.	Power	CRI	Light Source Lumen	Diffuser Lens Lumen	Cutttable length	Max Run	Pcb Width
FN-2016-180	180pcs/m	24VDC	12.96W/m	90+	1000 lm/m	450lm/m	33mm	3m	10mm
FN-2016-240	240pcs/m		17.28W/m	90+	1300 lm/m	585 lm/m	25mm		

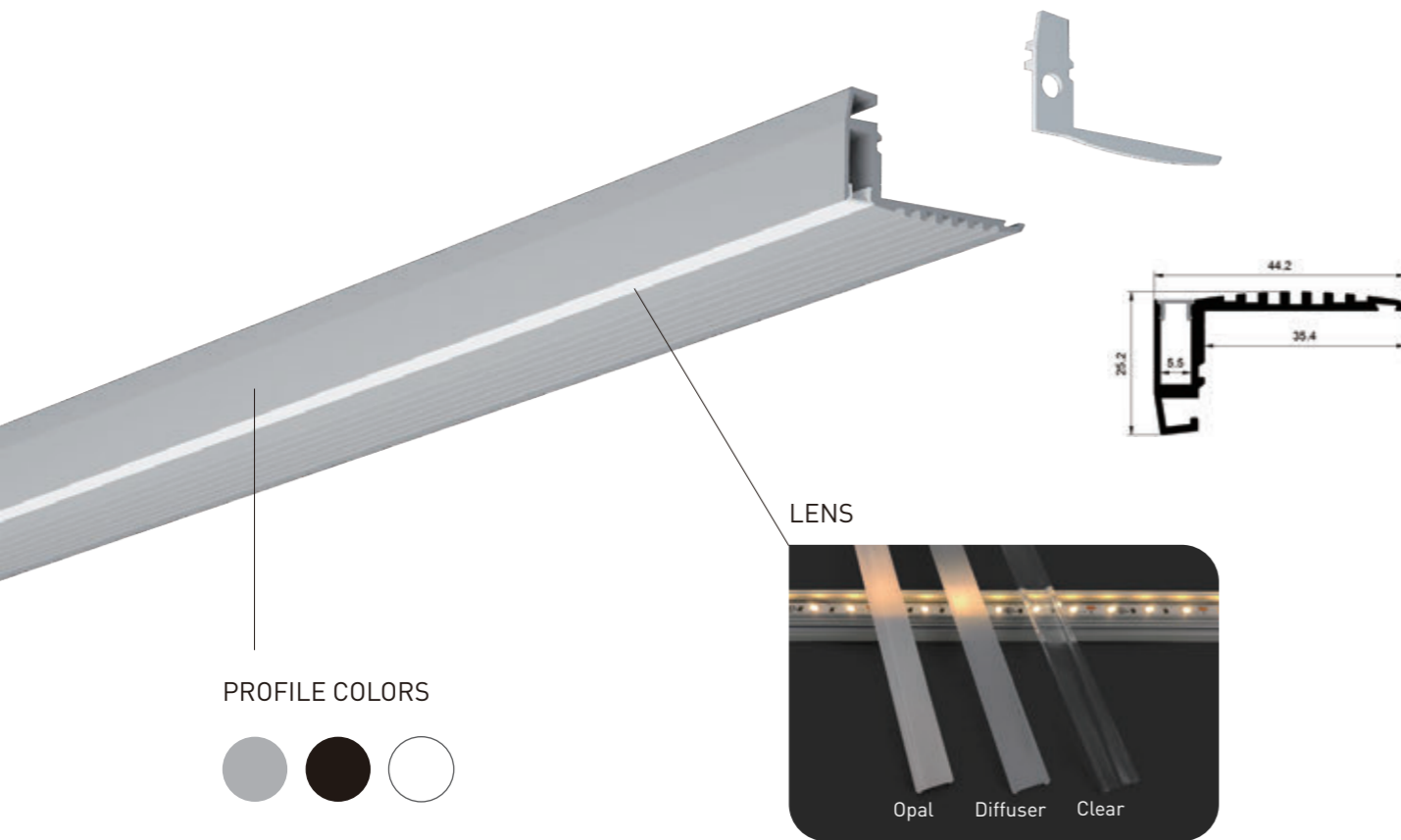
Remark: The tested data based on silver finish in 4000K, CRI 90+ light source.



Installation: Stairs Recessed
 Length Available: 1-3m
 Profile Color: Silver, Black Anodized, White Powder Coating
 Lens: Opal, Diffuser, Clear
 Input Cable: Endcaps, Profile Bottom, Profile Sides
 Quick Female/Male Connectors Input cable & Junction Box available

STAIRS SERIES

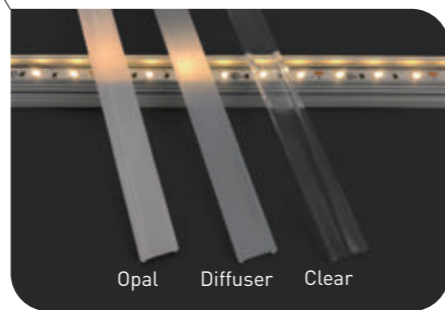
► SL452508



PROFILE COLORS



LENS



Installation: Stairs Surface Mounted
 Length Available: 1-3m
 Profile Color: Silver, Black Anodized, White Powder Coating
 Lens: Opal, Diffuser, Clear
 Input Cable: Endcaps, Profile Bottom, Profile Sides
 Quick Female/Male Connectors Input cable & Junction Box available

STAIRS SERIES

► SL452508

ORDERING CODE

Luminaire	Finish	Lens	Vol.	Power	CRI	CCT	Input Cable	Connector	Wiring
SL452508	W White	D Diffuser	12 12VDC	4.8W/m	90	22-2200K , 24-2400K , 25-2500K 27-2700K , 30-3000K , 35-3500K 40-4000K , 50-5000K , 65-6500K	01 - Black&Red 22AWG	A - AMP male/female	B - Through profile back
	B Black	O Opal	24 24VDC	9.6W/m	95				
	S Silver	C Clear		12.24W/m	95+	22-2200K , 25-2500K , 27-2700K 30-3000K , 35-3500K , 40-4000K 50-5000K , 65-6500K	02 - Black&White 22AWG	M - Molex male/female	E - Through Endcaps
				28.8W/m		TW Tunable White - check your executive sales	03 - White PU protected 2 pin	D - DC male/female	S - Through profile side
						D2W Dim To Warm - check your executive sales	04 - 3Pin cable for Tunable white		

RECOMMENDED LIGHT SOURCE

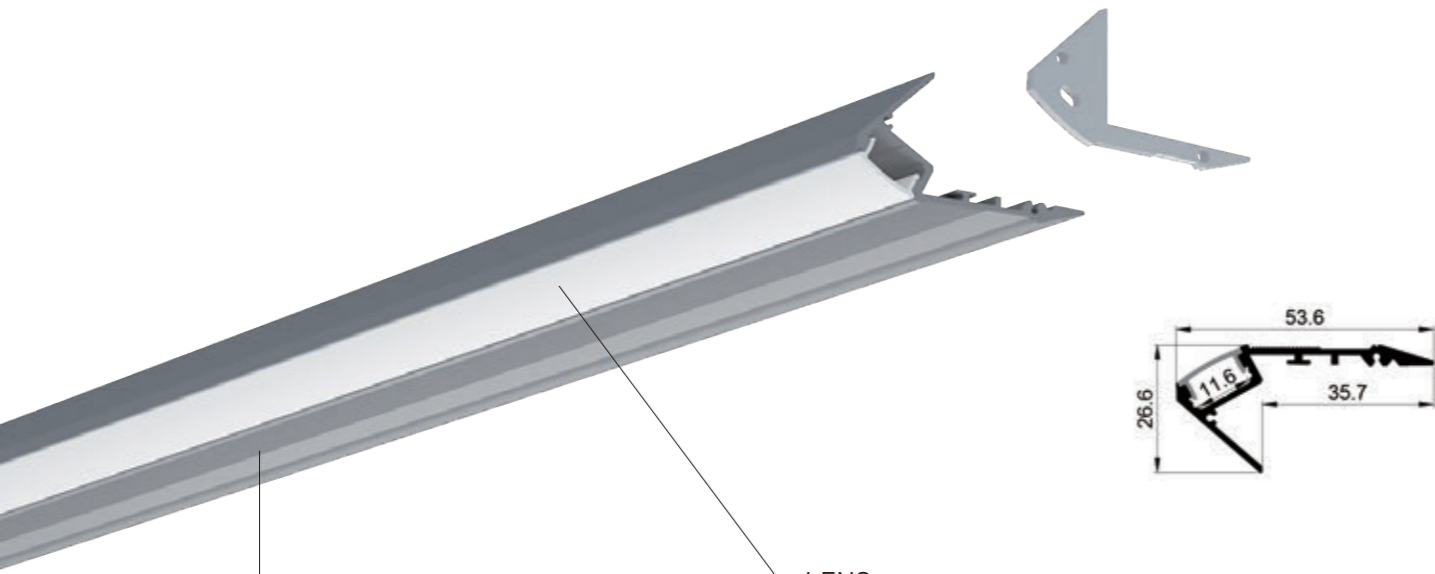
Part Code	Led Qty	Input Vol.	Power	CRI	Light Source Lumen	Diffuser Lens Lumen	Cutttable length	Max Run	Pcb Width
MN-2835A-60	60pcs/m	12/24VDC	4.8 W/m	90+	478 lm/m	186 lm/m	12V=25mm 24V=100mm	12V=3m 24V=5m	5 mm
				95+	397 lm/m	155 lm/m			
MN-2835A-120	120pcs/m	12/24VDC	9.6 W/m	90+	956 lm/m	373 lm/m	12V=25mm 24V=50mm	12V=1.5m 24V=3m	4 mm
				95+	793 lm/m	309 lm/m			
MN-2110-238	238pcs/m	24VDC	12.24 W/m	90+	1126 lm/m	439 lm/m	29.4mm	2m	4 mm
				95+	935 lm/m	364 lm/m			
MN-5630A-60	60pcs/m	24VDC	28.8 W/m	90+	1900 lm/m	741 lm/m	100mm	2m	6 mm
				95+	1577 lm/m	615 lm/m			

Remark: The tested data based on silver finish in 4000K, CRI 90+ light source.

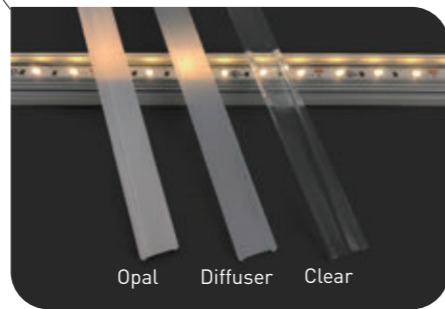


STAIRS SERIES

► SL552811



LENS



PROFILE COLORS



Installation: Stairs Recessed
 Length Available: 1-3m
 Profile Color: Silver, Black Anodized, White Powder Coating
 Lens: Opal, Diffuser, Clear
 Input Cable: Endcaps, Profile Bottom, Profile Sides
 Quick Female/Male Connectors Input cable & Junction Box available

STAIRS SERIES

► SL552811

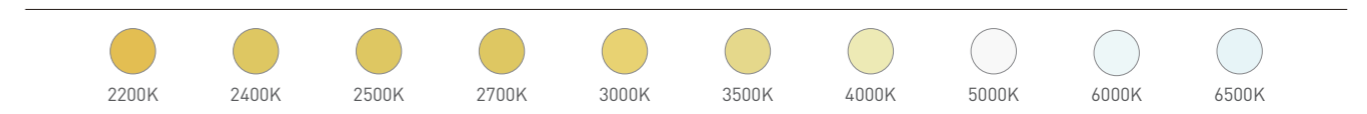
ORDERING CODE

Luminaire	Finish	Lens	Vol.	Power	CRI	CCT	Input Cable	Connector	Wiring
SL552811	W White	D Diffuser	24 24VDC	12.96W/m 17.28W/m	90 90+	22-2200K , 24-2400K 25-2500K , 27-2700K 30-3000K , 35-3500K 40-4000K , 50-5000K 65-6500K	01 - Black&Red 22AWG 02 - Black&White 22AWG 03 - White PU protected 2 pin 04 - 3Pin cable for Tunable white	A - AMP male/female M - Molex male/female D - DC male/female	B - Through profile back E - Through Endcaps S - Through profile side
	B Black	O Opal							
	S Silver	C Clear							
					TW	Tunable White - check your executive sales			
					D2W	Dim To Warm - check your executive sales			

RECOMMENDED LIGHT SOURCE

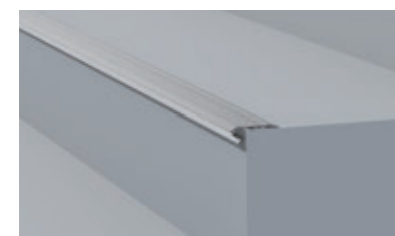
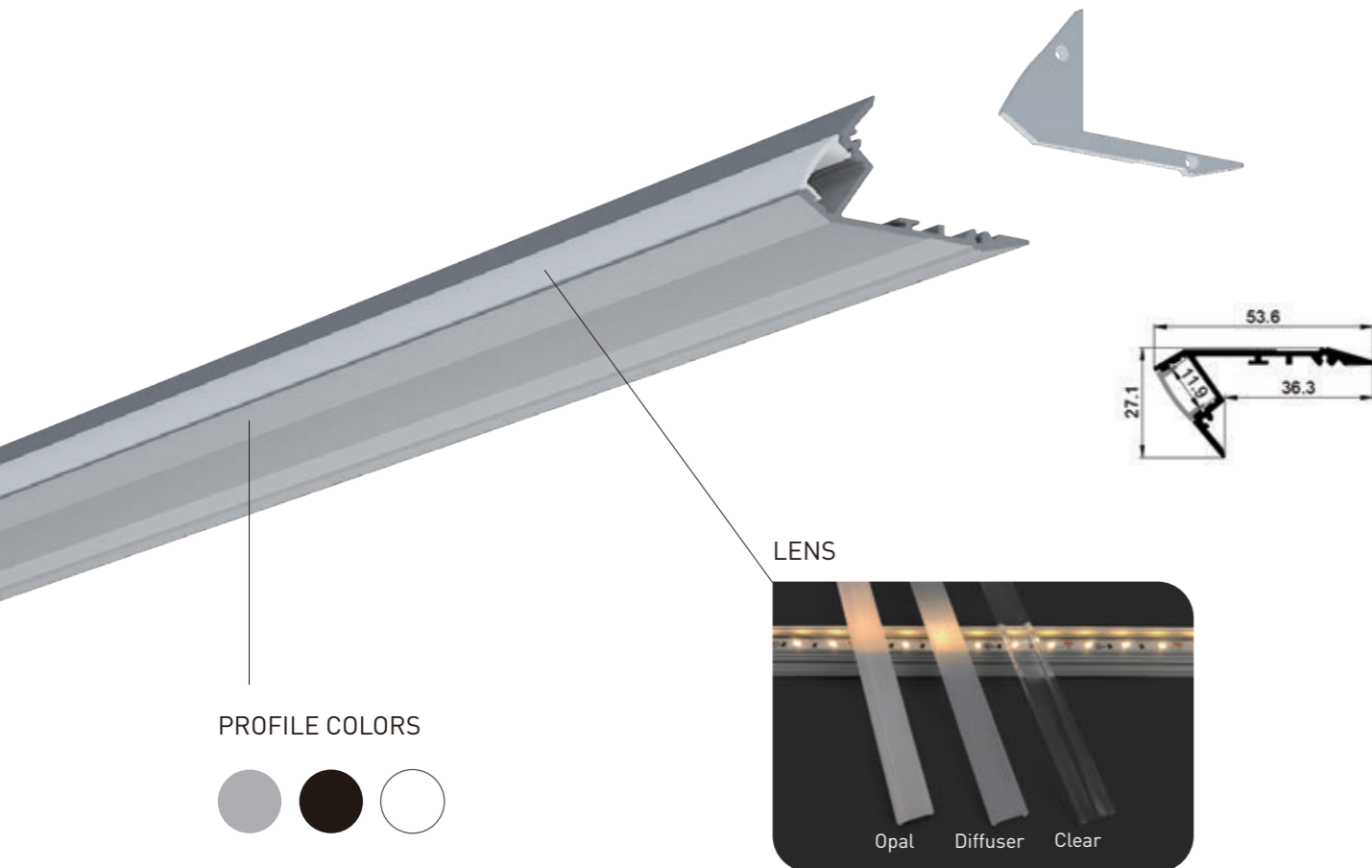
Part Code	Led Qty	Input Vol.	Power	CRI	Light Source Lumen	Diffuser Lens Lumen	Cutttable length	Max Run	Pcb Width
FN-2016-180	180pcs/m	24VDC	12.96W/m	90+	1000 lm/m	450 lm/m	33mm	3m	10mm
FN-2016-240	240pcs/m		17.28W/m	90+	1300 lm/m	585 lm/m	25mm		

Remark: The tested data based on silver finish in 4000K, CRI 90+ light source.



STAIRS SERIES

► SL5528B11



Installation: Stairs Recessed
 Length Available: 1-3m
 Profile Color: Silver, Black Anodized, White Powder Coating
 Lens: Opal, Diffuser, Clear
 Input Cable: Endcaps, Profile Bottom, Profile Sides
 Quick Female/Male Connectors Input cable & Junction Box available

STAIRS SERIES

► SL5528B11

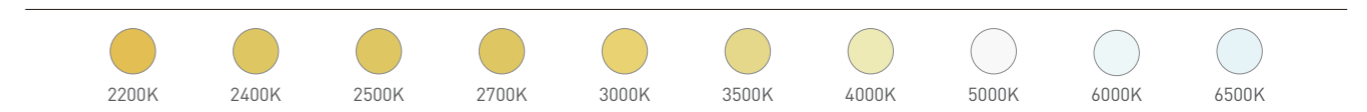
ORDERING CODE

Luminaire	Finish	Lens	Vol.	Power	CRI	CCT	Input Cable	Connector	Wiring
SL5528B11	W White	D Diffuser	24 24VDC	12.96W/m 17.28W/m	90 90+	22-2200K , 24-2400K 25-2500K , 27-2700K 30-3000K , 35-3500K 40-4000K , 50-5000K 65-6500K	01 - Black&Red 22AWG 02 - Black&White 22AWG 03 - White PU protected 2 pin 04 - 3Pin cable for Tunable white	A - AMP male/female M - Molex male/female D - DC male/female	B - Through profile back E - Through Endcaps S - Through profile side
	B Black	O Opal							
	S Silver	C Clear							
					TW	Tunable White - check your executive sales			
					D2W	Dim To Warm - check your executive sales			

RECOMMENDED LIGHT SOURCE

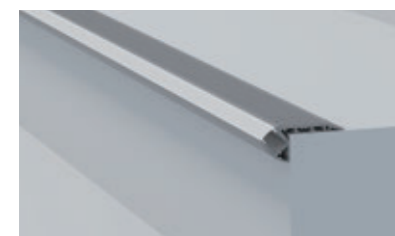
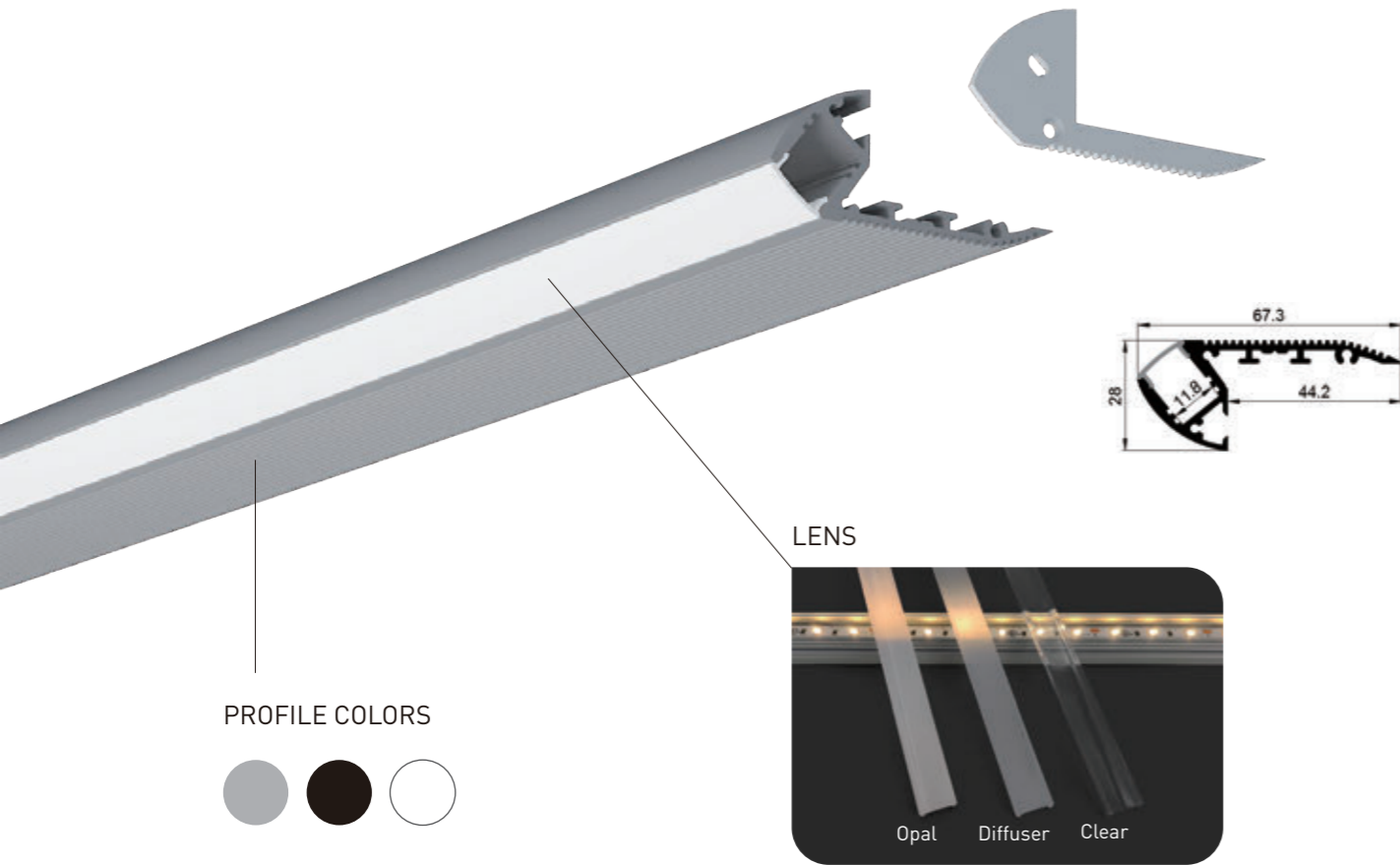
Part Code	Led Qty	Input Vol.	Power	CRI	Light Source Lumen	Diffuser Lens Lumen	Cutttable length	Max Run	Pcb Width
FN-2016-180	180pcs/m	24VDC	12.96W/m	90+	1000 lm/m	450 lm/m	33mm	3m	10mm
FN-2016-240	240pcs/m		17.28W/m	90+	1300 lm/m	585 lm/m	25mm		

Remark: The tested data based on silver finish in 4000K, CRI 90+ light source.



STAIRS SERIES

► SL662811



Installation: Stairs Recessed
 Length Available: 1-3m
 Profile Color: Silver, Black Anodized, White Powder Coating
 Lens: Opal, Diffuser, Clear
 Input Cable: Endcaps, Profile Bottom, Profile Sides
 Quick Female/Male Connectors Input cable & Junction Box available

STAIRS SERIES

► SL662811

ORDERING CODE

Luminaire	Finish	Lens	Vol.	Power	CRI	CCT	Input Cable	Connector	Wiring							
SL662811	W White	D Diffuser	24 24VDC	5.18W/m	90 90+	22-2200K , 24-2400K 25-2500K , 27-2700K 30-3000K , 35-3500K 40-4000K , 50-5000K 65-6500K	01 - Black&Red 22AWG	A - AMP male/female	B - Through profile back							
				6.00W/m												
				11.52W/m												
	B Black	O Opal		14.40W/m	TW	Tunable White - check your executive sales										
				21.60W/m												
				24.00W/m												
	S Silver	C Clear		28.80W/m	D2W	Dim To Warm - check your executive sales				02 - Black&White 22AWG	M - Molex male/female	E - Through Endcaps				
														03 - White PU protected 2 pin	D - DC male/female	S - Through profile side
					04 - 3Pin cable for Tunable white											

RECOMMENDED LIGHT SOURCE

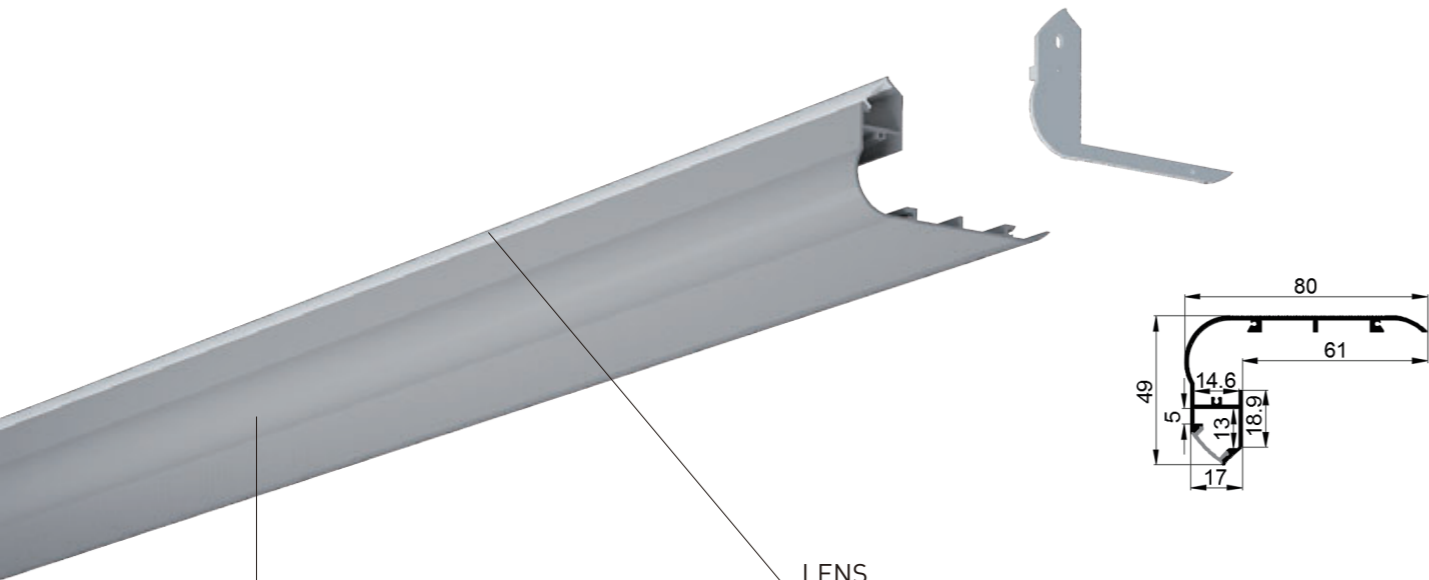
Performance	Part Code	Led Qty	Input Vol.	Power	CRI	Light Source Lumen	Diffuser Lens Lumen	Cutttable length	Max Run	Pcb Width
General	FN-2835T-120	120pcs/m	12/24VDC	14.40 W/m	90+	1512 lm/m	680lm/m	12V=25mm 24V=50mm	12V=5m 24V=9m	10 mm
					95+	1282 lm/m	577lm/m			
High Efficiency	FN-H2835T-128	128pcs/m	24VDC	11.52 W/m	90+	1613 lm/m	726lm/m	24V=62.5mm	24V=6m	10 mm
					95+	1475 lm/m	664lm/m			
	FN-H28350-160	160pcs/m	24VDC	24 W/m	90+	3480 lm/m	1739lm/m	50mm	3m	10 mm
					90+	1987 lm/m	894lm/m			
					95+	1843 lm/m	829lm/m			
FN-H28350-192	192pcs/m	24VDC	28.8 W/m	90+	4176 lm/m	2086lm/m	41.7mm	2.5m	10 mm	
Long Run	LN-H2835T-80	80pcs/m	36VDC	5.18W/m	90+	580 lm/m	261lm/m	100mm	50m	10 mm
					95+	482 lm/m	217lm/m			
	LN-H2835T-112	112pcs/m	48VDC	11.52 W/m	90+	1336 lm/m	601lm/m	125mm	25m	10 mm
					95+	1106 lm/m	498lm/m			
	LN-H2835T-120	120pcs/m	24VDC	6.00 W/m	90+	588 lm/m	265lm/m	50mm	21m	10 mm
					95+	486 lm/m	219lm/m			
Short Cut	FN-F2835A-120	120pcs/m	12VDC	21.60 W/m	90+	1922 lm/m	865lm/m	16.7mm	3.5m	10 mm
					95+	1595 lm/m	718lm/m			

Remark: 1. The tested data based on silver finish in 4000K, CRI 90+ light source. 2. LN-H2835T-80 is good for long run, but it will show light spot.

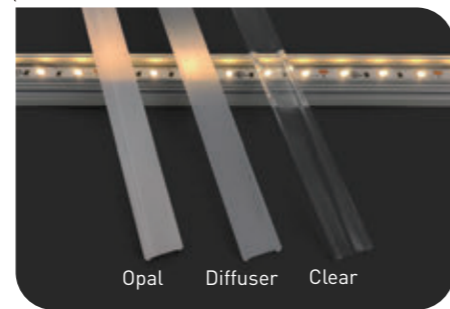


STAIRS SERIES

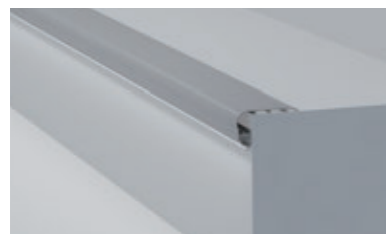
► SL805013



LENS



PROFILE COLORS



Installation: Stairs Recessed
 Length Available: 1-3m
 Profile Color: Silver, Black Anodized, White Powder Coating
 Lens: Opal, Diffuser, Clear
 Input Cable: Endcaps, Profile Bottom, Profile Sides
 Quick Female/Male Connectors Input cable & Junction Box available

STAIRS SERIES

► SL805013

ORDERING CODE

Luminaire	Finish	Lens	Vol.	Power	CRI	CCT	Input Cable	Connector	Wiring
SL805013	W White	D Diffuser	24 24VDC	14.4W/m	90 90+	22-2200K, 24-2400K 25-2500K, 27-2700K 30-3000K, 35-3500K 40-4000K, 50-5000K 65-6500K	01 - Black&Red 22AWG	A - AMP male/female	B - Through profile back
	B Black	O Opal		11.52W/m					
	S Silver	C Clear		24W/m					
				28.8W/m			02 - Black&White 22AWG	M - Molex male/female	E - Through Endcaps
				5.18W/m	TW	Tunable White - check your executive sales	03 - White PU protected 2 pin	D - DC male/female	S - Through profile side
				6W/m			04 - 3Pin cable for Tunable white		
				21.6W/m	D2W	Dim To Warm - check your executive sales			

RECOMMENDED LIGHT SOURCE

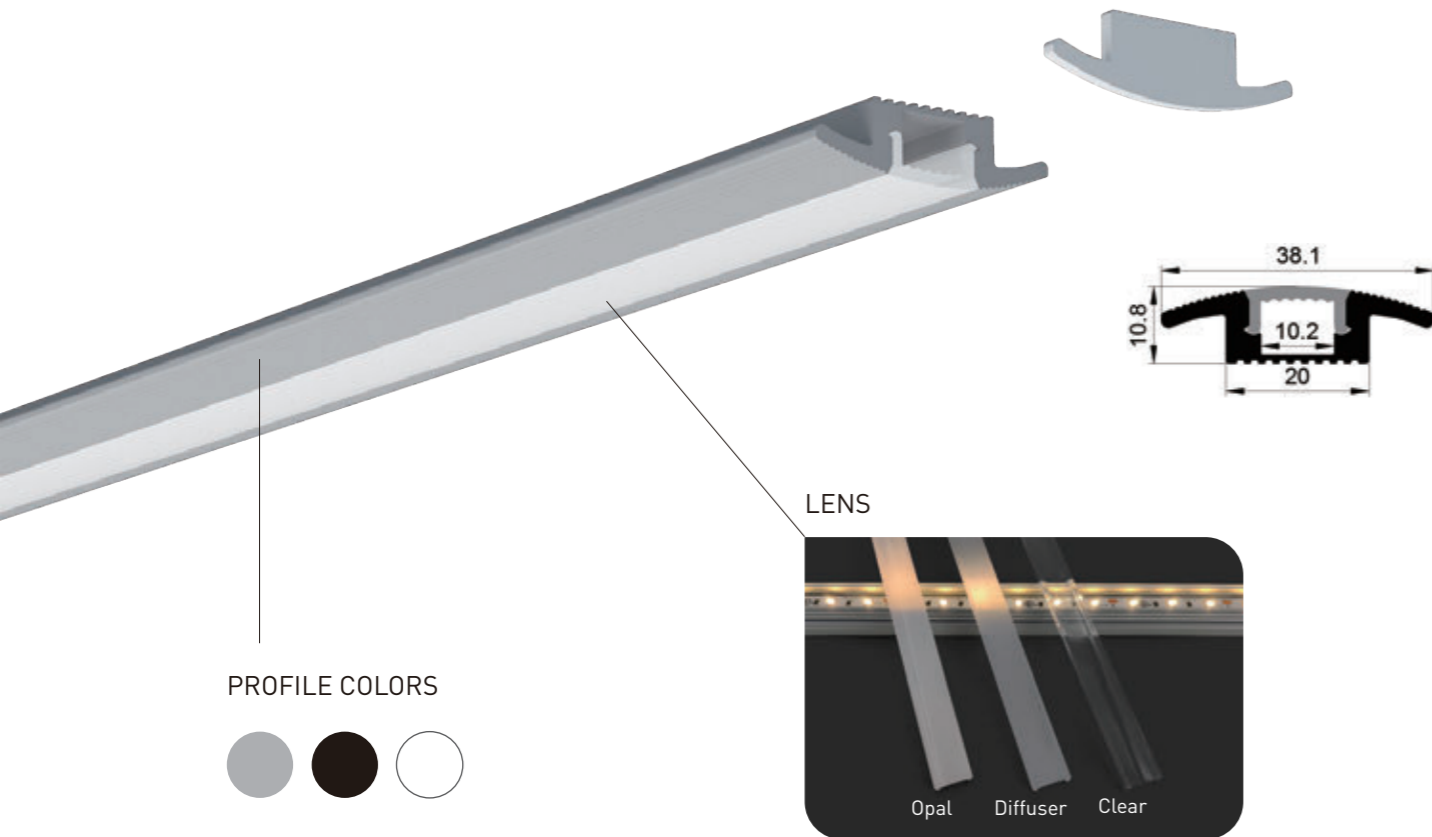
Performance	Part Code	Led Qty	Input Vol.	Power	CRI	Light Source Lumen	Diffuser Lens Lumen	Cuttable length	Max Run	Pcb Width
General	FN-2835T-120	120pcs/m	12/24VDC	14.40 W/m	90+	1512 lm/m	680lm/m	12V=25mm	12V=5m	10 mm
					95+	1282 lm/m	577lm/m	24V=50mm	24V=9m	
High Efficiency	FN-H2835T-128	128pcs/m	24VDC	11.52 W/m	90+	1613 lm/m	726lm/m	24V=62.5mm	24V=6m	10 mm
					95+	1475 lm/m	664lm/m			
	FN-H28350-160	160pcs/m	24VDC	24 W/m	90+	3480 lm/m	1739lm/m	50mm	3m	10 mm
					95+	1987 lm/m	894lm/m			
Long Run	LN-H2835T-80	80pcs/m	36VDC	5.18W/m	90+	580 lm/m	261lm/m	100mm	50m	10 mm
					95+	482 lm/m	217lm/m			
	LN-H2835T-112	112pcs/m	48VDC	11.52 W/m	90+	1336 lm/m	601lm/m	125mm	25m	10 mm
95+					1106 lm/m	498lm/m				
Short Cut	FN-H2835T-120	120pcs/m	24VDC	6.00 W/m	90+	588 lm/m	265lm/m	50mm	21m	10 mm
					95+	486 lm/m	219lm/m			
	FN-F2835A-120	120pcs/m	12VDC	21.60 W/m	90+	1922 lm/m	865lm/m	16.7mm	3.5m	10 mm
95+	1595 lm/m	718lm/m								

Remark: 1. The tested data based on silver finish in 4000K, CRI 90+ light source. 2. LN-H2835T-80 is good for long run, but it will show light spot.

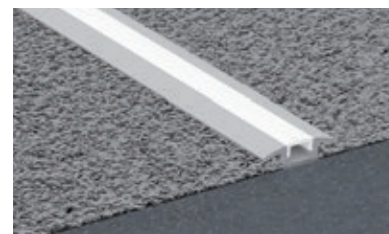


CARPET SERIES

► SL3810R10



PROFILE COLORS



Installation: Carpet Trimed Recessed
 Length Available: 1-3m
 Profile Color: Silver, Black Anodized, White Powder Coating
 Lens: Opal, Diffuser, Clear
 Input Cable: Endcaps, Profile Bottom, Profile Sides
 Quick Female/Male Connectors Input cable & Junction Box available

CARPET SERIES

► SL3810R10

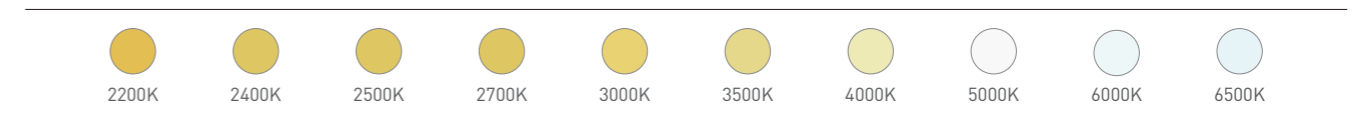
ORDERING CODE

Luminaire	Finish	Lens	Vol.	Power	CRI	CCT	Input Cable	Connector	Wiring		
SL3810R10	W White	D Diffuser	24 24VDC	12.96W/m 17.28W/m	90 90+	22-2200K , 24-2400K 25-2500K , 27-2700K 30-3000K , 35-3500K 40-4000K , 50-5000K 65-6500K	01 - Black&Red 22AWG	A - AMP male/female	B - Through profile back		
	B Black	O Opal								M - Molex male/female	E - Through Endcaps
	S Silver	C Clear								D - DC male/female	S - Through profile side
					TW	Tunable White - check your executive sales	03 - White PU protected 2 pin				
					D2W	Dim To Warm - check your executive sales	04 - 3Pin cable for Tunable white				

RECOMMENDED LIGHT SOURCE

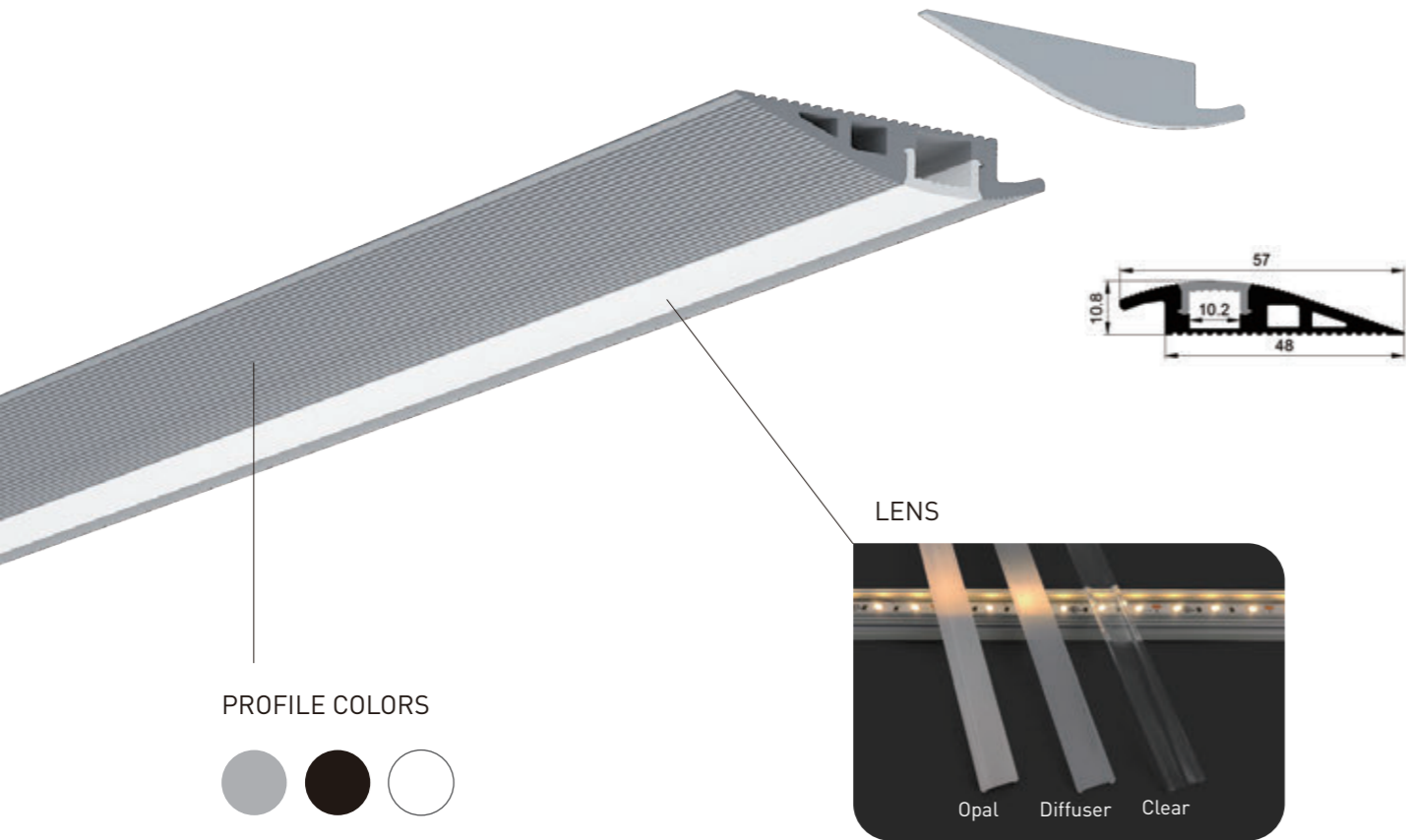
Part Code	Led Qty	Input Vol.	Power	CRI	Light Source Lumen	Diffuser Lens Lumen	Cutttable length	Max Run	Pcb Width
FN-2016-180	180pcs/m	24VDC	12.96W/m	90+	1000 lm/m	450 lm/m	33mm	3m	10mm
FN-2016-240	240pcs/m		17.28W/m	90+	1300 lm/m	585 lm/m	25mm		

Remark: The tested data based on silver finish in 4000K, CRI 90+ light source.



CARPET SERIES

► SL5710R10



CARPET SERIES

► SL5710R10

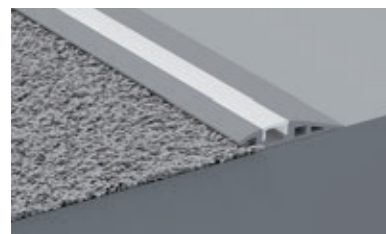
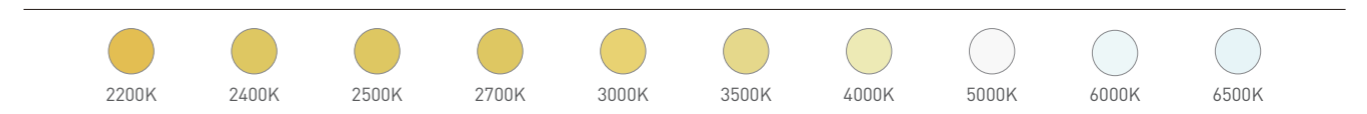
ORDERING CODE

Luminaire	Finish	Lens	Vol.	Power	CRI	CCT	Input Cable	Connector	Wiring			
SL5710R10	W White	D Diffuser	24 24VDC	12.96W/m 17.28W/m	90 90+	22-2200K , 24-2400K 25-2500K , 27-2700K 30-3000K , 35-3500K 40-4000K , 50-5000K 65-6500K	01 - Black&Red 22AWG	A - AMP male/female	B - Through profile back			
	B Black	O Opal								02 - Black&White 22AWG	M - Molex male/female	E - Through Endcaps
	S Silver	C Clear										
			TW	Tunable White - check your executive sales	04 - 3Pin cable for Tunable white							
						D2W	Dim To Warm - check your executive sales					

RECOMMENDED LIGHT SOURCE

Part Code	Led Qty	Input Vol.	Power	CRI	Light Source Lumen	Diffuser Lens Lumen	Cuttable length	Max Run	Pcb Width
FN-2016-180	180pcs/m	24VDC	12.96W/m	90+	1000 lm/m	450 lm/m	33mm	3m	10mm
FN-2016-240	240pcs/m		17.28W/m	90+	1300 lm/m	585 lm/m	25mm		

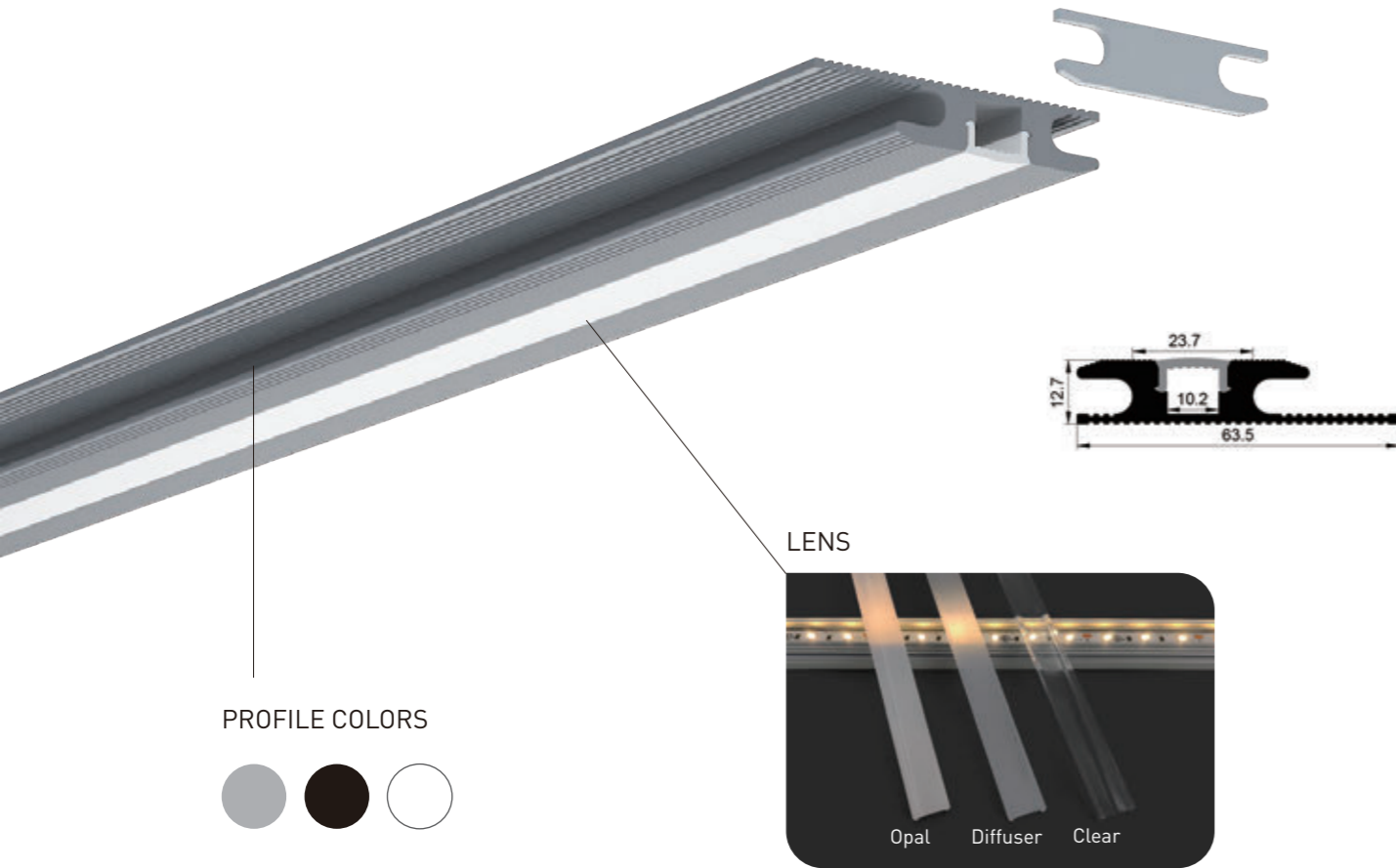
Remark: The tested data based on silver finish in 4000K, CRI 90+ light source.



Installation: Carpet Trimmed Recessed
 Length Available: 1-3m
 Profile Color: Silver, Black Anodized, White Powder Coating
 Lens: Opal, Diffuser, Clear
 Input Cable: Endcaps, Profile Bottom, Profile Sides
 Quick Female/Male Connectors Input cable & Junction Box available

CARPET SERIES

► SL6310R10



Installation: Carpet Trimmed Recessed
 Length Available: 1-3m
 Profile Color: Silver, Black Anodized, White Powder Coating
 Lens: Opal, Diffuser, Clear
 Input Cable: Endcaps, Profile Bottom, Profile Sides
 Quick Female/Male Connectors Input cable & Junction Box available

CARPET SERIES

► SL6310R10

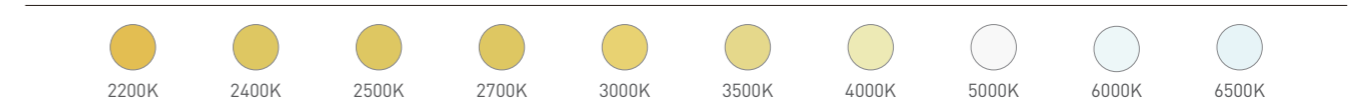
ORDERING CODE

Luminaire	Finish	Lens	Vol.	Power	CRI	CCT	Input Cable	Connector	Wiring
SL6310R10	W White	D Diffuser	24 24VDC	12.96W/m 17.28W/m	90 90+	22-2200K , 24-2400K 25-2500K , 27-2700K 30-3000K , 35-3500K 40-4000K , 50-5000K 65-6500K	01 - Black&Red 22AWG	A - AMP male/female	B - Through profile back
	B Black	O Opal					02 - Black&White 22AWG	M - Molex male/female	E - Through Endcaps
	S Silver	C Clear				TW Tunable White - check your executive sales	03 - White PU protected 2 pin	D - DC male/female	S - Through profile side
						D2W Dim To Warm - check your executive sales	04 - 3Pin cable for Tunable white		

RECOMMENDED LIGHT SOURCE

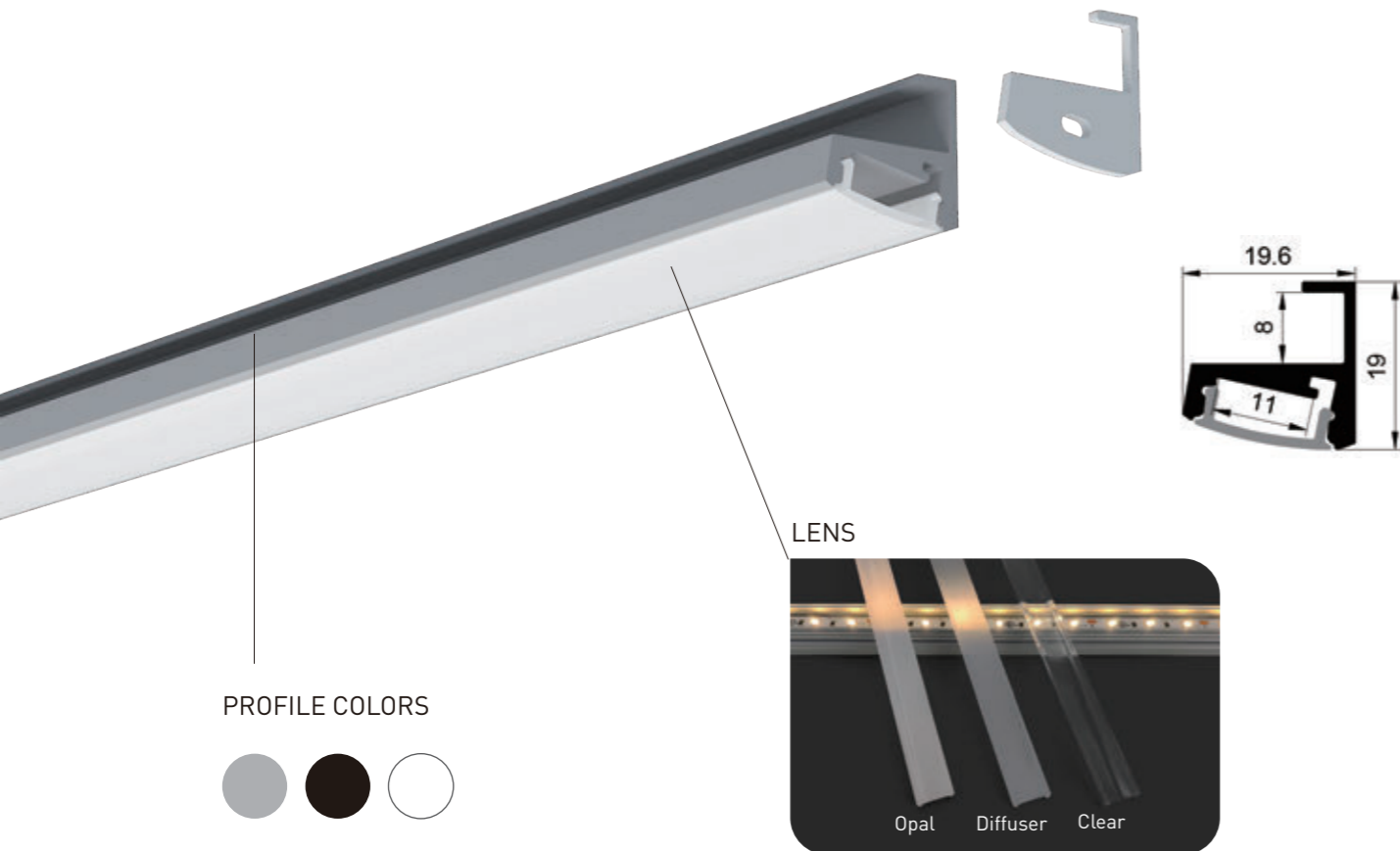
Part Code	Led Qty	Input Vol.	Power	CRI	Light Source Lumen	Diffuser Lens Lumen	Cutttable length	Max Run	Pcb Width
FN-2016-180	180pcs/m	24VDC	12.96W/m	90+	1000 lm/m	450 lm/m	33mm	3m	10mm
FN-2016-240	240pcs/m		17.28W/m	90+	1300 lm/m	585 lm/m	25mm		

Remark: The tested data based on silver finish in 4000K, CRI 90+ light source.



SHELF BOARD SERIES

► SL191811



Installation: Shelf Board Clipping
 Length Available: 1-3m
 Profile Color: Silver, Black Anodized, White Powder Coating
 Lens: Opal, Diffuser, Clear
 Input Cable: Endcaps, Profile Bottom, Profile Sides
 Quick Female/Male Connectors Input cable & Junction Box available

SHELF BOARD SERIES

► SL191811

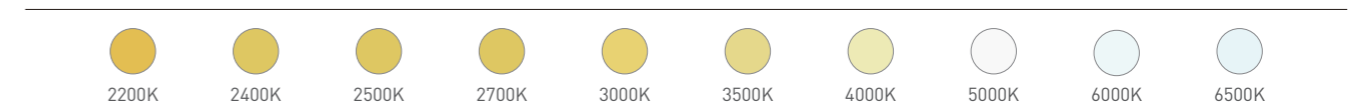
ORDERING CODE

Luminaire	Finish	Lens	Vol.	Power	CRI	CCT	Input Cable	Connector	Wiring
SL191811	W White	D Diffuser	24 24VDC	12.96W/m 17.28W/m	90 90+	22-2200K , 24-2400K 25-2500K , 27-2700K 30-3000K , 35-3500K 40-4000K , 50-5000K 65-6500K	01 - Black&Red 22AWG	A - AMP male/female	B - Through profile back
	B Black	O Opal					02 - Black&White 22AWG	M - Molex male/female	E - Through Endcaps
	S Silver	C Clear				TW Tunable White - check your executive sales	03 - White PU protected 2 pin	D - DC male/female	S - Through profile side
						D2W Dim To Warm - check your executive sales	04 - 3Pin cable for Tunable white		

RECOMMENDED LIGHT SOURCE

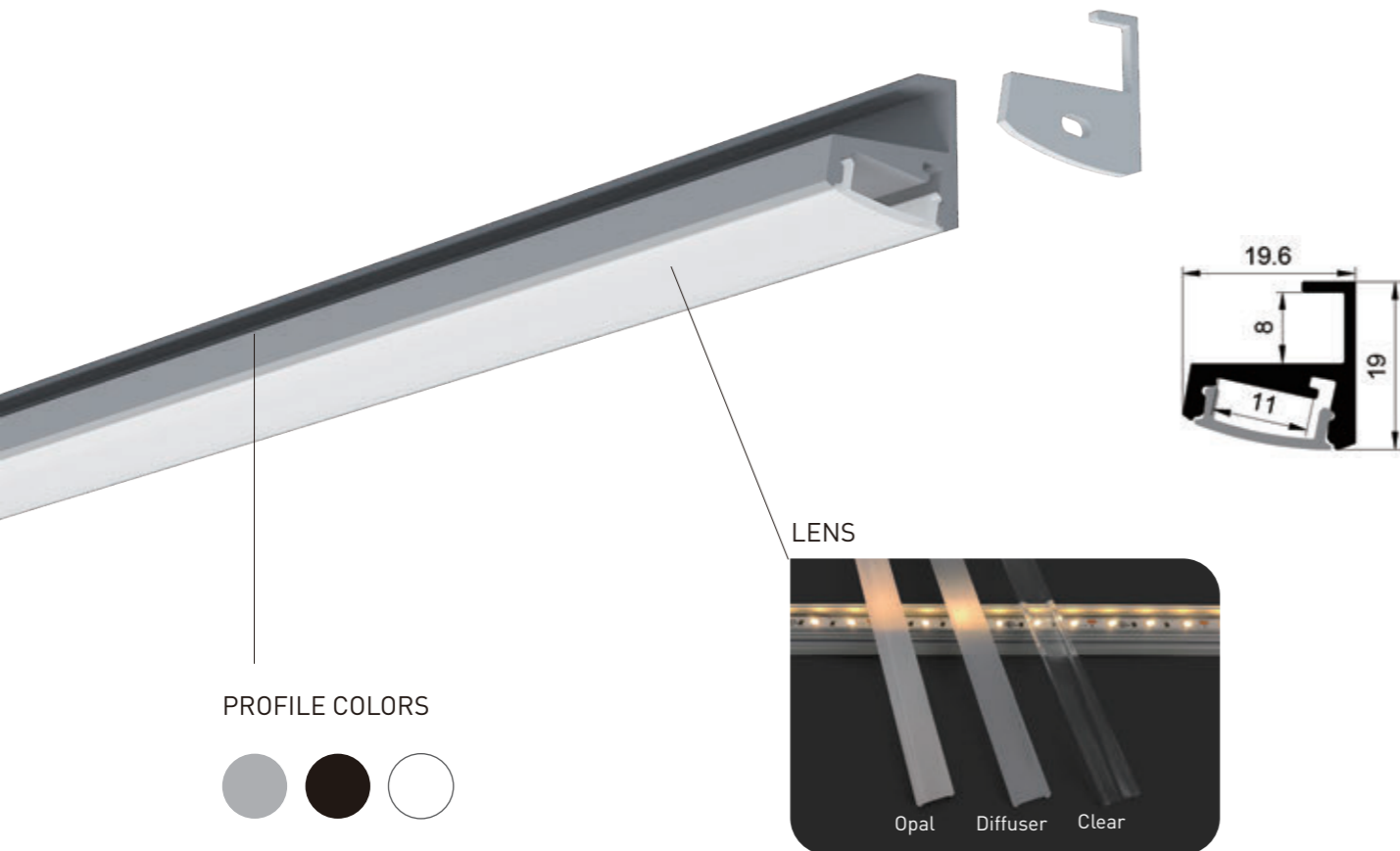
Part Code	Led Qty	Input Vol.	Power	CRI	Light Source Lumen	Diffuser Lens Lumen	Cutttable length	Max Run	Pcb Width
FN-2016-180	180pcs/m	24VDC	12.96W/m	90+	1000 lm/m	450 lm/m	33mm	3m	10mm
FN-2016-240	240pcs/m		17.28W/m	90+	1300 lm/m	585 lm/m	25mm		

Remark: The tested data based on silver finish in 4000K, CRI 90+ light source.



SHELF BOARD SERIES

► SL191811



Installation: Shelf Board Clipping
 Length Available: 1-3m
 Profile Color: Silver, Black Anodized, White Powder Coating
 Lens: Opal, Diffuser, Clear
 Input Cable: Endcaps, Profile Bottom, Profile Sides
 Quick Female/Male Connectors Input cable & Junction Box available

SHELF BOARD SERIES

► SL191811

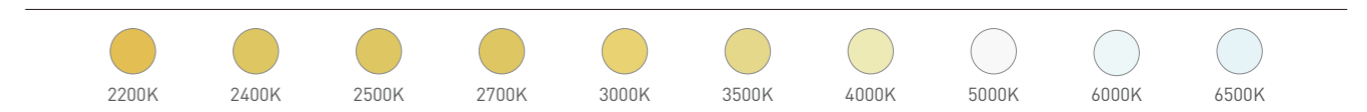
ORDERING CODE

Luminaire	Finish	Lens	Vol.	Power	CRI	CCT	Input Cable	Connector	Wiring
SL191811	W White	D Diffuser	24 24VDC	12.96W/m 17.28W/m	90 90+	22-2200K , 24-2400K 25-2500K , 27-2700K 30-3000K , 35-3500K 40-4000K , 50-5000K 65-6500K	01 - Black&Red 22AWG	A - AMP male/female	B - Through profile back
	B Black	O Opal					02 - Black&White 22AWG	M - Molex male/female	E - Through Endcaps
	S Silver	C Clear				TW Tunable White - check your executive sales	03 - White PU protected 2 pin	D - DC male/female	S - Through profile side
						D2W Dim To Warm - check your executive sales	04 - 3Pin cable for Tunable white		

RECOMMENDED LIGHT SOURCE

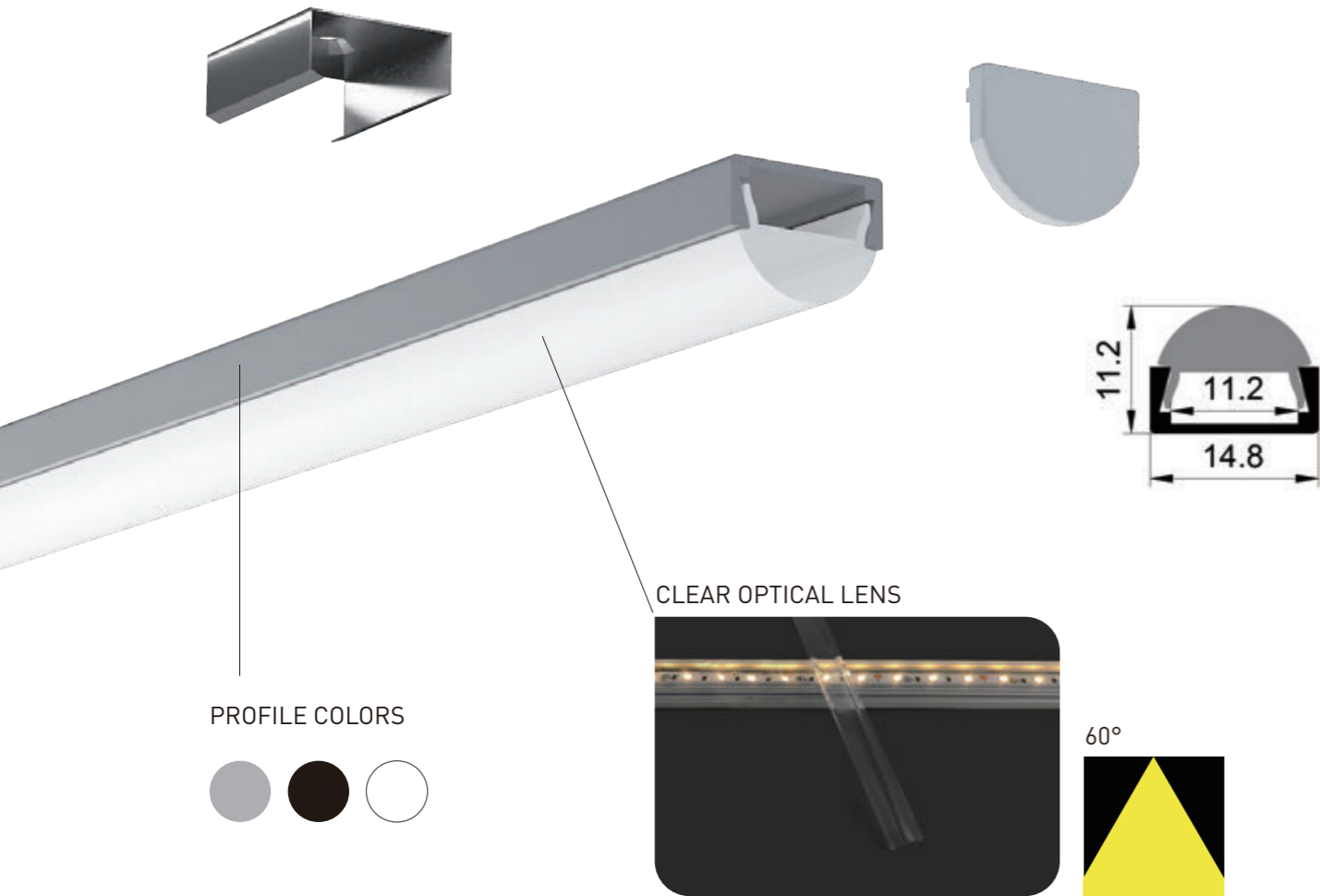
Part Code	Led Qty	Input Vol.	Power	CRI	Light Source Lumen	Diffuser Lens Lumen	Cutttable length	Max Run	Pcb Width
FN-2016-180	180pcs/m	24VDC	12.96W/m	90+	1000 lm/m	450 lm/m	33mm	3m	10mm
FN-2016-240	240pcs/m		17.28W/m	90+	1300 lm/m	585 lm/m	25mm		

Remark: The tested data based on silver finish in 4000K, CRI 90+ light source.



OPTICAL SERIES

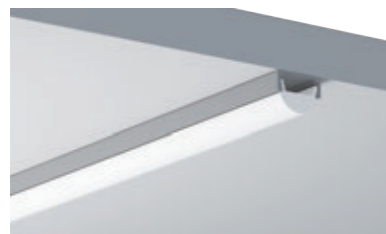
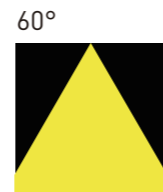
► SL1506F11



PROFILE COLORS



CLEAR OPTICAL LENS



Installation: Surface Mounted
 Length Available: 1-3m
 Profile Color: Silver, Black Anodized, White Powder Coating
 Lens: Clear Optical Lens
 Input Cable: Endcaps, Profile Bottom, Profile Sides
 Quick Female/Male Connectors Input cable & Junction Box available

OPTICAL SERIES

► SL1506F11

ORDERING CODE

Luminaire	Finish	Lens	Vol.	Power	CRI	CCT	Input Cable	Connector	Wiring
SL1506F11	W White	D Diffuser	12	2.40W/m	90 90+	22-2200K , 24-2400K , 25-2500K 27-2700K , 30-3000K , 35-3500K 40-4000K , 50-5000K , 65-6500K	01 - Black&Red 22AWG	A - AMP male/female	B - Through profile back
			24	5.04W/m					
			36	5.18W/m					
	B Black	O Opal	24	5.18W/m	95 95+	22-2200K , 25-2500K , 27-2700K 30-3000K , 35-3500K , 40-4000K 50-5000K , 65-6500K	02 - Black&White 22AWG	M - Molex male/female	E - Through Endcaps
			36	5.76W/m					
			48	6.00W/m					
	S Silver	C Clear	36	5.76W/m	TW	Tunable White - check your executive sales	03 - White PU protected 2 pin	D - DC male/female	S - Through profile side
			48	7.68W/m					
			48	7.68W/m					
				48	11.52W/m	D2W	Dim To Warm - check your executive sales	04 - 3Pin cable for Tunable white	
				14.40W/m					
				21.60W/m					
			24.00W/m						
			28.80W/m						

RECOMMENDED LIGHT SOURCE

Performance	Part Code	Led Qty	Input Vol.	Power	CRI	Light Source Lumen	Diffuser Lens Lumen	Cutttable length	Max Run	Pcb Width
General	FN-2835T-60	60pcs/m	12/24VDC	14.40 W/m	90+	1440 lm/m	1224 lm/m	12V=25mm 24V=100mm	12V=5m 24V=9m	10 mm
					95+	1238 lm/m	1052 lm/m			
High Efficiency	FN-H2835T-64	64pcs/m	24VDC	7.68 W/m	90+	1029 lm/m	875 lm/m	125mm	5m	10 mm
					95+	968 lm/m	823 lm/m			
	FN-H28350-80	80pcs/m	24VDC	14.40W/m	90+	2275 lm/m	1934 lm/m	100mm	4m	10 mm
Long Run	LN-2835T-60	60pcs/m	24VDC	5.04 W/m	90+	499 lm/m	424 lm/m	100mm	21m	10mm
					95+	413 lm/m	351 lm/m			
	LN-2835T-56	56pcs/m	48VDC	5.76 W/m	90+	230 lm/m	196 lm/m	100mm	50m	10 mm
					95+	190 lm/m	162 lm/m			
Short Cut	FN-F2835A-60	60pcs/m	12VDC	14.4 W/m	90+	668 lm/m	568 lm/m	250mm	35m	10 mm
					95+	553 lm/m	470 lm/m			
Short Cut	FN-F2835A-60	60pcs/m	12VDC	14.4 W/m	90+	1239 lm/m	1003 lm/m	33.3mm	5.5m	10 mm
					95+	979lm/m	832 lm/m			

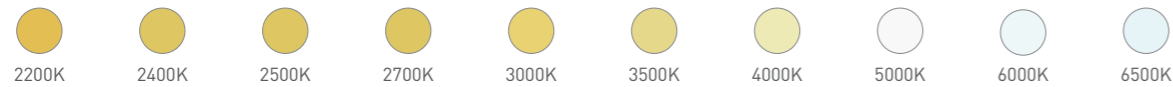
OPTICAL SERIES

► SL1506F11

RECOMMENDED LIGHT SOURCE

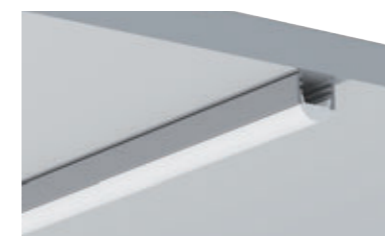
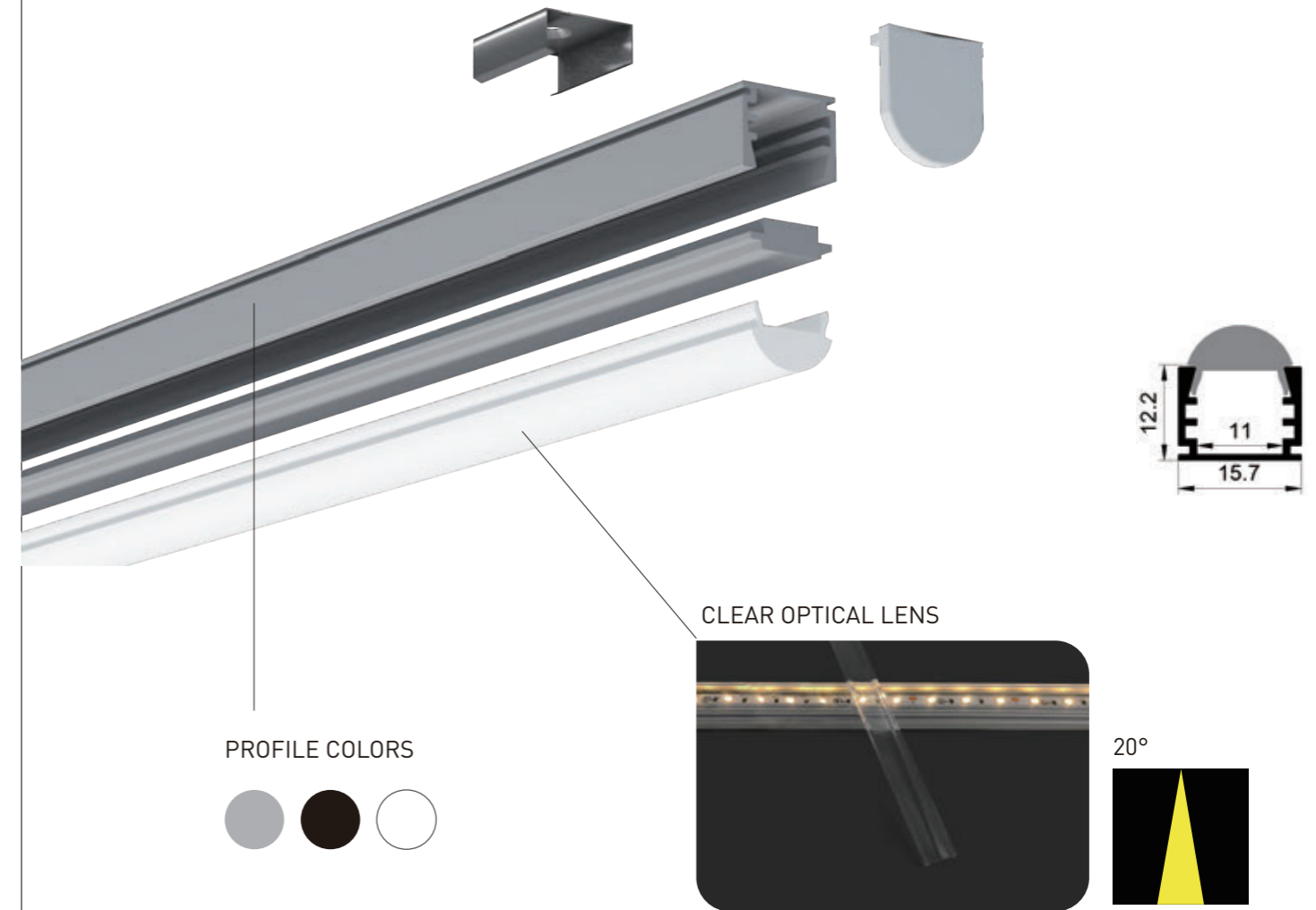
Performance	Part Code	Led Qty	Input Vol.	Power	CRI	Light Source Lumen	Diffuser Lens Lumen	Cutttable length	Max Run	Pcb Width
General	FN-2835T-120	120pcs/m	12/24VDC	14.40 W/m	90+	1512 lm/m	1285 lm/m	12V=25mm	12V=5m	10 mm
					95+	1282 lm/m	1090 lm/m	24V=50mm	24V=9m	
High Efficiency	FN-H2835T-128	128pcs/m	24VDC	11.52 W/m	90+	1613 lm/m	1371 lm/m	24V=62.5mm	24V=6m	10 mm
					95+	1475 lm/m	1254 lm/m			
	FN-H28350-160	160pcs/m	24VDC	24 W/m	90+	3480 lm/m	3284 lm/m	50mm	3m	10 mm
	FN-H2835T-160	160pcs/m	24VDC	14.40 W/m	90+	1987 lm/m	1689 lm/m	24V=50mm	24V=5m	10 mm
					95+	1843 lm/m	1567 lm/m			
FN-H28350-192	192pcs/m	24VDC	28.8 W/m	90+	4176 lm/m	3941 lm/m	41.7mm	2.5m	10 mm	
Long Run	LN-H2835T-80	80pcs/m	36VDC	5.18W/m	90+	580 lm/m	493 lm/m	100mm	50m	10 mm
					95+	482 lm/m	410 lm/m			
	LN-H2835T-112	112pcs/m	48VDC	11.52 W/m	90+	1336 lm/m	1136 lm/m	125mm	25m	10 mm
					95+	1106 lm/m	940 lm/m			
	LN-H2835T-120	120pcs/m	24VDC	6.00 W/m	90+	588 lm/m	500 lm/m	50mm	21m	10 mm
					95+	486 lm/m	413 lm/m			
Short Cut	FN-F2835A-120	120pcs/m	12VDC	21.60 W/m	90+	1922 lm/m	1634 lm/m	16.7mm	3.5m	10 mm
					95+	1595 lm/m	1356 lm/m			

Remark: 1. The tested data based on silver finish in 4000K, CRI 90+ light source. 2. LN-H2835T-80 is good for long run, but it will show light spot.



OPTICAL SERIES

► SL1612H10



Installation: Surface Mounted
 Length Available: 1-3m
 Profile Color: Silver, Black Anodized, White Powder Coating
 Lens: Clear Optical Lens
 Input Cable: Endcaps, Profile Bottom, Profile Sides
 Quick Female/Male Connectors Input cable & Junction Box available

OPTICAL SERIES

► SL1612H10

ORDERING CODE

Luminaire	Finish	Lens	Vol.	Power	CRI	CCT	Input Cable	Connector	Wiring
SL1612H10	W White	D Diffuser	12 12VDC	2.40W/m	90 90+	22-2200K , 24-2400K , 25-2500K 27-2700K , 30-3000K , 35-3500K 40-4000K , 50-5000K , 65-6500K	01 - Black&Red 22AWG	A - AMP male/female	B - Through profile back
			24 24VDC	5.04W/m					
	B Black	O Opal	24 24VDC	5.18W/m	95 95+	22-2200K , 25-2500K , 27-2700K 30-3000K , 35-3500K , 40-4000K 50-5000K , 65-6500K	02 - Black&White 22AWG	M - Molex male/female	E - Through Endcaps
			36 36VDC	5.76W/m					
	S Silver	C Clear	36 36VDC	6.00W/m	TW	Tunable White - check your executive sales	03 - White PU protected 2 pin	D - DC male/female	S - Through profile side
			48 48VDC	7.68W/m					
				11.52W/m	D2W	Dim To Warm - check your executive sales	04 - 3Pin cable for Tunable white		
				14.40W/m					
				21.60W/m					
				24.00W/m					
			28.80W/m						

RECOMMENDED LIGHT SOURCE

Performance	Part Code	Led Qty	Input Vol.	Power	CRI	Light Source Lumen	Diffuser Lens Lumen	Cutttable length	Max Run	Pcb Width
General	FN-2835T-60	60pcs/m	12/24VDC	14.40 W/m	90+	1440 lm/m	1224 lm/m	12V=25mm 24V=100mm	12V=5m 24V=9m	10 mm
					95+	1238 lm/m	1052 lm/m			
High Efficiency	FN-H2835T-64	64pcs/m	24VDC	7.68 W/m	90+	1029 lm/m	875 lm/m	125mm	5m	10 mm
					95+	968 lm/m	823 lm/m			
	FN-H28350-80	80pcs/m	24VDC	14.40W/m	90+	2275 lm/m	1934 lm/m	100mm	4m	10 mm
Long Run	LN-2835T-60	60pcs/m	24VDC	5.04 W/m	90+	499 lm/m	424 lm/m	100mm	21m	10mm
					95+	413 lm/m	351 lm/m			
				2.4 W/m	90+	230 lm/m	196 lm/m	100mm	50m	10 mm
					95+	190 lm/m	162 lm/m			
LN-2835T-56	56pcs/m	48VDC	5.76 W/m	90+	668 lm/m	568 lm/m	250mm	35m	10 mm	
				95+	553 lm/m	470 lm/m				
Short Cut	FN-F2835A-60	60pcs/m	12VDC	14.4 W/m	90+	1239 lm/m	1003 lm/m	33.3mm	5.5m	10 mm
					95+	979lm/m	832 lm/m			

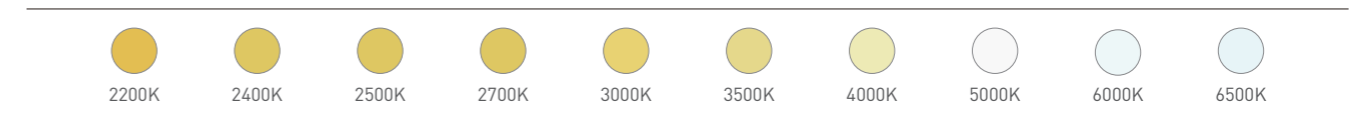
OPTICAL SERIES

► SL1612H10

RECOMMENDED LIGHT SOURCE

Performance	Part Code	Led Qty	Input Vol.	Power	CRI	Light Source Lumen	Diffuser Lens Lumen	Cutttable length	Max Run	Pcb Width
General	FN-2835T-120	120pcs/m	12/24VDC	14.40 W/m	90+	1512 lm/m	1285 lm/m	12V=25mm 24V=50mm	12V=5m 24V=9m	10 mm
					95+	1282 lm/m	1090 lm/m			
High Efficiency	FN-H2835T-128	128pcs/m	24VDC	11.52 W/m	90+	1613 lm/m	1371 lm/m	24V=62.5mm	24V=6m	10 mm
				95+	1475 lm/m	1254 lm/m				
	FN-H28350-160	160pcs/m	24VDC	24 W/m	90+	3480 lm/m	3284 lm/m	50mm	3m	10 mm
	FN-H2835T-160	160pcs/m	124VDC	14.40 W/m	90+	1987 lm/m	1689 lm/m	24V=50mm	24V=5m	10 mm
				95+	1843 lm/m	1567 lm/m				
FN-H28350-192	192pcs/m	24VDC	28.8 W/m	90+	4176 lm/m	3941 lm/m	41.7mm	2.5m	10 mm	
Long Run	LN-H2835T-80	80pcs/m	36VDC	5.18W/m	90+	580 lm/m	493 lm/m	100mm	50m	10 mm
					95+	482 lm/m	410 lm/m			
	LN-H2835T-112	112pcs/m	48VDC	11.52 W/m	90+	1336 lm/m	1136 lm/m	125mm	25m	10 mm
					95+	1106 lm/m	940 lm/m			
	LN-H2835T-120	120pcs/m	24VDC	6.00 W/m	90+	588 lm/m	500 lm/m	50mm	21m	10 mm
					95+	486 lm/m	413 lm/m			
Short Cut	FN-F2835A-120	120pcs/m	12VDC	21.60 W/m	90+	1922 lm/m	1634 lm/m	16.7mm	3.5m	10 mm
					95+	1595 lm/m	1356 lm/m			

Remark: 1. The tested data based on siliver finish in 4000K, CRI 90+ light source. 2. LN-H2835T-80 is good for long run, but it will show light spot.



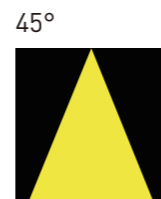
OPTICAL SERIES

► SL1815I12



CLEAR OPTICAL LENS

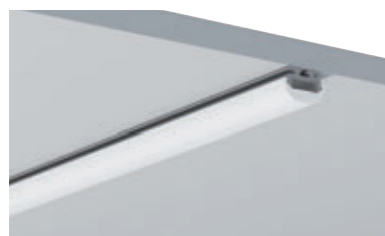
PROFILE COLORS



ACCESSORIES



Rotating Bracket



Installation: Surface Mounted
 Length Available: 1-3m
 Profile Color: Silver, Black Anodized, White Powder Coating
 Lens: Clear Optical Lens
 Input Cable: Endcaps, Profile Bottom, Profile Sides
 Quick Female/Male Connectors Input cable & Junction Box available

OPTICAL SERIES

► SL1815I12

ORDERING CODE

Luminaire	Finish	Lens	Vol.	Power	CRI	CCT	Input Cable	Connector	Wiring
SL1815I12	W White	D Diffuser	12	2.40W/m	90 90+	22-2200K , 24-2400K , 25-2500K 27-2700K , 30-3000K , 35-3500K 40-4000K , 50-5000K , 65-6500K	01 - Black&Red 22AWG	A - AMP male/female	B - Through profile back
			12VDC	5.04W/m					
	B Black	O Opal	24	5.18W/m	95 95+	22-2200K , 25-2500K , 27-2700K 30-3000K , 35-3500K , 40-4000K 50-5000K , 65-6500K	02 - Black&White 22AWG	M - Molex male/female	E - Through Endcaps
			24VDC	5.76W/m					
	S Silver	C Clear	36	6.00W/m	TW	Tunable White - check your executive sales	03 - White PU protected 2 pin	D - DC male/female	S - Through profile side
			36VDC	7.68W/m					
			48	11.52W/m	D2W	Dim To Warm - check your executive sales	04 - 3Pin cable for Tunable white		
			48VDC	14.40W/m					
				21.60W/m					
				24.00W/m					
				28.80W/m					

RECOMMENDED LIGHT SOURCE

Performance	Part Code	Led Qty	Input Vol.	Power	CRI	Light Source Lumen	Diffuser Lens Lumen	Cutttable length	Max Run	Pcb Width
General	FN-2835T-60	60pcs/m	12/24VDC	14.40 W/m	90+	1440 lm/m	1224 lm/m	12V=25mm 24V=100mm	12V=5m 24V=9m	10 mm
					95+	1238 lm/m	1052 lm/m			
High Efficiency	FN-H2835T-64	64pcs/m	24VDC	7.68 W/m	90+	1029 lm/m	875 lm/m	125mm	5m	10 mm
	95+	968 lm/m	823 lm/m							
	FN-H28350-80	80pcs/m	24VDC	14.40W/m	90+	2275 lm/m	1934 lm/m	100mm	4m	10 mm
Long Run	LN-2835T-60	60pcs/m	24VDC	5.04 W/m	90+	499 lm/m	424 lm/m	100mm	21m	10mm
					95+	413 lm/m	351 lm/m			
	2.4 W/m	90+	230 lm/m	196 lm/m	100mm	50m	10 mm			
		95+	190 lm/m	162 lm/m						
	LN-2835T-56	56pcs/m	48VDC	5.76 W/m	90+	668 lm/m	568 lm/m	250mm	35m	10 mm
	95+	553 lm/m	470 lm/m							
Short Cut	FN-F2835A-60	60pcs/m	12VDC	14.4 W/m	90+	1239 lm/m	1003 lm/m	33.3mm	5.5m	10 mm
					95+	979lm/m	832 lm/m			

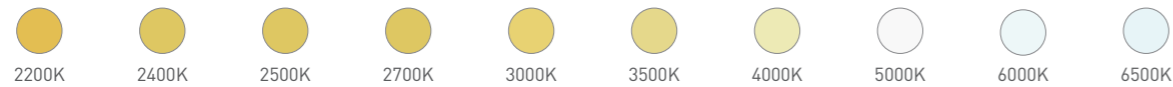
OPTICAL SERIES

► SL1815I12

RECOMMENDED LIGHT SOURCE

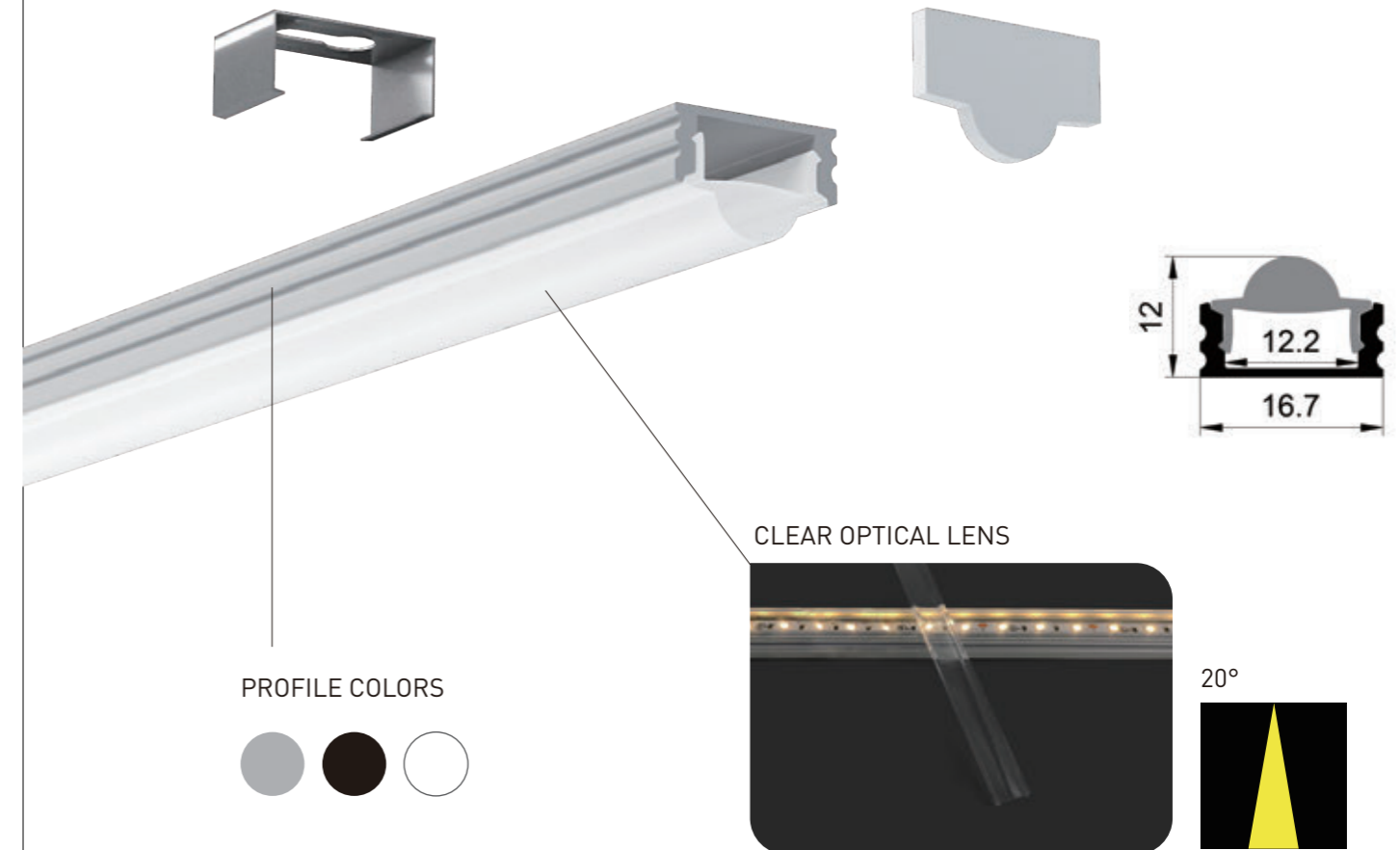
Performance	Part Code	Led Qty	Input Vol.	Power	CRI	Light Source Lumen	Diffuser Lens Lumen	Cutttable length	Max Run	Pcb Width
General	FN-2835T-120	120pcs/m	12/24VDC	14.40 W/m	90+	1512 lm/m	1285 lm/m	12V=25mm 24V=50mm	12V=5m 24V=9m	10 mm
					95+	1282 lm/m	1090 lm/m			
High Efficiency	FN-H2835T-128	128pcs/m	24VDC	11.52 W/m	90+	1613 lm/m	1371 lm/m	24V=62.5mm	24V=6m	10 mm
	FN-H28350-160	160pcs/m	24VDC	24 W/m	90+	3480 lm/m	3284 lm/m			
	FN-H2835T-160	160pcs/m	24VDC	14.40 W/m	90+	1987 lm/m	1689 lm/m	24V=50mm	24V=5m	10 mm
					95+	1843 lm/m	1567 lm/m			
	FN-H28350-192	192pcs/m	24VDC	28.8 W/m	90+	4176 lm/m	3941 lm/m	41.7mm	2.5m	10 mm
Long Run	LN-H2835T-80	80pcs/m	36VDC	5.18W/m	90+	580 lm/m	493 lm/m	100mm	50m	10 mm
	LN-H2835T-112	112pcs/m	48VDC	11.52 W/m	90+	1336 lm/m	1136 lm/m			
					95+	1106 lm/m	940 lm/m			
LN-H2835T-120	120pcs/m	24VDC	6.00 W/m	90+	588 lm/m	500 lm/m	50mm	21m	10 mm	
				95+	486 lm/m	413 lm/m				
Short Cut	FN-F2835A-120	120pcs/m	12VDC	21.60 W/m	90+	1922 lm/m	1634 lm/m	16.7mm	3.5m	10 mm
					95+	1595 lm/m	1356 lm/m			

Remark: 1. The tested data based on silver finish in 4000K, CRI 90+ light source. 2. LN-H2835T-80 is good for long run, but it will show light spot.



OPTICAL SERIES

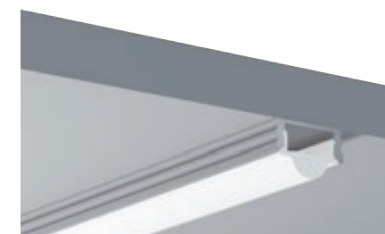
► SL1707F12



ACCESSORIES



Rotating Bracket



Installation: Surface Mounted
 Length Available: 1-3m
 Profile Color: Silver, Black Anodized, White Powder Coating
 Lens: Clear Optical Lens
 Input Cable: Endcaps, Profile Bottom, Profile Sides
 Quick Female/Male Connectors Input cable & Junction Box available

OPTICAL SERIES

► SL1707F12

ORDERING CODE

Luminaire	Finish	Lens	Vol.	Power	CRI	CCT	Input Cable	Connector	Wiring
SL1707F12	W White	D Diffuser	12 12VDC	2.40W/m	90 90+	22-2200K , 24-2400K , 25-2500K 27-2700K , 30-3000K , 35-3500K 40-4000K , 50-5000K , 65-6500K	01 - Black&Red 22AWG	A - AMP male/female	B - Through profile back
				5.04W/m					
				24 24VDC					
	B Black	O Opal	24 24VDC	5.18W/m	95 95+	22-2200K , 25-2500K , 27-2700K 30-3000K , 35-3500K , 40-4000K 50-5000K , 65-6500K	02 - Black&White 22AWG	M - Molex male/female	E - Through Endcaps
				5.76W/m					
				36 36VDC					
	S Silver	C Clear	36 36VDC	6.00W/m	TW	Tunable White - check your executive sales	03 - White PU protected 2 pin	D - DC male/female	S - Through profile side
				7.68W/m					
				48 48VDC					
				11.52W/m	D2W	Dim To Warm - check your executive sales	04 - 3Pin cable for Tunable white		
				14.40W/m					
				21.60W/m					
			24.00W/m						
			28.80W/m						

RECOMMENDED LIGHT SOURCE

Performance	Part Code	Led Qty	Input Vol.	Power	CRI	Light Source Lumen	Diffuser Lens Lumen	Cutttable length	Max Run	Pcb Width
General	FN-2835T-60	60pcs/m	12/24VDC	14.40 W/m	90+	1440 lm/m	1224 lm/m	12V=25mm 24V=100mm	12V=5m 24V=9m	10 mm
					95+	1238 lm/m	1052 lm/m			
High Efficiency	FN-H2835T-64	64pcs/m	24VDC	7.68 W/m	90+	1029 lm/m	875 lm/m	125mm	5m	10 mm
					95+	968 lm/m	823 lm/m			
	FN-H28350-80	80pcs/m	24VDC	14.40W/m	90+	2275 lm/m	1934 lm/m	100mm	4m	10 mm
Long Run	LN-2835T-60	60pcs/m	24VDC	5.04 W/m	90+	499 lm/m	424 lm/m	100mm	21m	10mm
					95+	413 lm/m	351 lm/m			
				2.4 W/m	90+	230 lm/m	196 lm/m	100mm	50m	10 mm
					95+	190 lm/m	162 lm/m			
LN-2835T-56	56pcs/m	48VDC	5.76 W/m	90+	668 lm/m	568 lm/m	250mm	35m	10 mm	
				95+	553 lm/m	470 lm/m				
Short Cut	FN-F2835A-60	60pcs/m	12VDC	14.4 W/m	90+	1239 lm/m	1003 lm/m	33.3mm	5.5m	10 mm
					95+	979lm/m	832 lm/m			

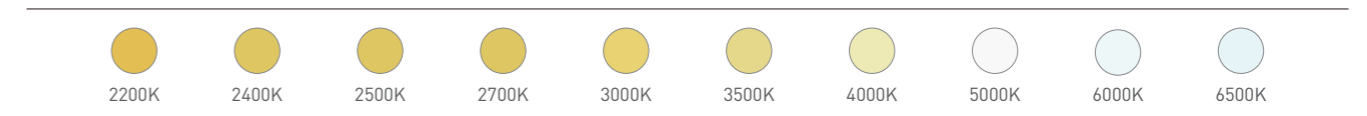
OPTICAL SERIES

► SL1707F12

RECOMMENDED LIGHT SOURCE

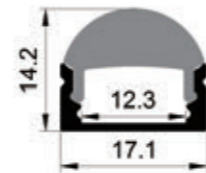
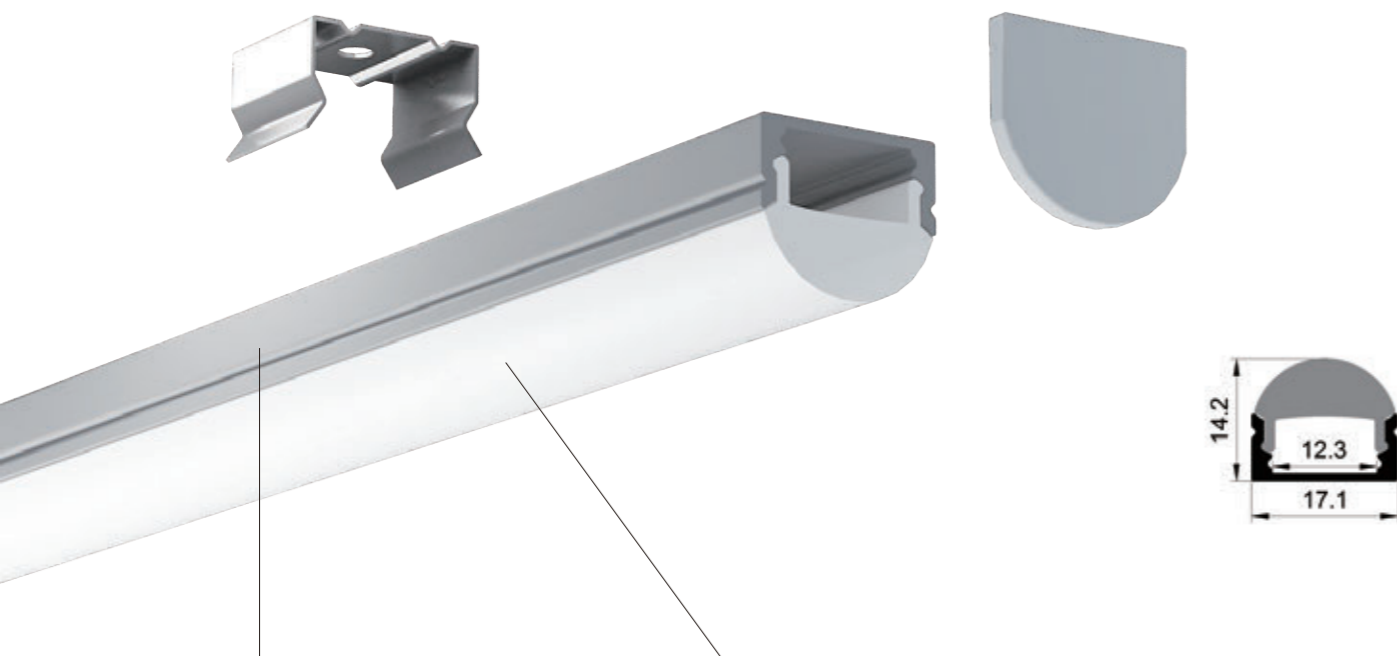
Performance	Part Code	Led Qty	Input Vol.	Power	CRI	Light Source Lumen	Diffuser Lens Lumen	Cutttable length	Max Run	Pcb Width
General	FN-2835T-120	120pcs/m	12/24VDC	14.40 W/m	90+	1512 lm/m	1285 lm/m	12V=25mm 24V=50mm	12V=5m 24V=9m	10 mm
					95+	1282 lm/m	1090 lm/m			
High Efficiency	FN-H2835T-128	128pcs/m	24VDC	11.52 W/m	90+	1613 lm/m	1371 lm/m	24V=62.5mm	24V=6m	10 mm
				95+	1475 lm/m	1254 lm/m				
	FN-H28350-160	160pcs/m	24VDC	24 W/m	90+	3480 lm/m	3284 lm/m	50mm	3m	10 mm
	FN-H2835T-160	160pcs/m	24VDC	14.40 W/m	90+	1987 lm/m	1689 lm/m	24V=50mm	24V=5m	10 mm
				95+	1843 lm/m	1567 lm/m				
FN-H28350-192	192pcs/m	24VDC	28.8 W/m	90+	4176 lm/m	3941 lm/m	41.7mm	2.5m	10 mm	
Long Run	LN-H2835T-80	80pcs/m	36VDC	5.18W/m	90+	580 lm/m	493 lm/m	100mm	50m	10 mm
					95+	482 lm/m	410 lm/m			
	LN-H2835T-112	112pcs/m	48VDC	11.52 W/m	90+	1336 lm/m	1136 lm/m	125mm	25m	10 mm
					95+	1106 lm/m	940 lm/m			
	LN-H2835T-120	120pcs/m	24VDC	6.00 W/m	90+	588 lm/m	500 lm/m	50mm	21m	10 mm
					95+	486 lm/m	413 lm/m			
Short Cut	FN-F2835A-120	120pcs/m	12VDC	21.60 W/m	90+	1922 lm/m	1634 lm/m	16.7mm	3.5m	10 mm
					95+	1595 lm/m	1356 lm/m			

Remark: 1. The tested data based on siliver finish in 4000K, CRI 90+ light source. 2. LN-H2835T-80 is good for long run, but it will show light spot.



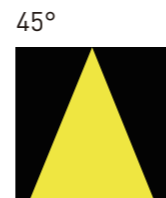
OPTICAL SERIES

► SL1707E12



CLEAR OPTICAL LENS

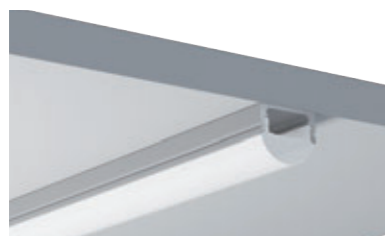
PROFILE COLORS



ACCESSORIES



Rotating Bracket



Installation: Surface Mounted
 Length Available: 1-3m
 Profile Color: Silver, Black Anodized, White Powder Coating
 Lens: Clear Optical Lens
 Input Cable: Endcaps, Profile Bottom, Profile Sides
 Quick Female/Male Connectors Input cable & Junction Box available

OPTICAL SERIES

► SL1707E12

ORDERING CODE

Luminaire	Finish	Lens	Vol.	Power	CRI	CCT	Input Cable	Connector	Wiring
SL1707E12	W White	D Diffuser	12 12VDC	2.40W/m	90 90+	22-2200K , 24-2400K , 25-2500K 27-2700K , 30-3000K , 35-3500K 40-4000K , 50-5000K , 65-6500K	01 - Black&Red 22AWG	A - AMP male/female	B - Through profile back
			24 24VDC	5.04W/m					
	B Black	O Opal	24 24VDC	5.18W/m	95 95+	22-2200K , 25-2500K , 27-2700K 30-3000K , 35-3500K , 40-4000K 50-5000K , 65-6500K	02 - Black&White 22AWG	M - Molex male/female	E - Through Endcaps
			36 36VDC	5.76W/m					
	S Silver	C Clear	48 48VDC	6.00W/m	TW	Tunable White - check your executive sales	03 - White PU protected 2 pin	D - DC male/female	S - Through profile side
				7.68W/m					
				11.52W/m	D2W	Dim To Warm - check your executive sales	04 - 3Pin cable for Tunable white		
				14.40W/m					
				21.60W/m					
				24.00W/m					
			28.80W/m						

RECOMMENDED LIGHT SOURCE

Performance	Part Code	Led Qty	Input Vol.	Power	CRI	Light Source Lumen	Diffuser Lens Lumen	Cutttable length	Max Run	Pcb Width
General	FN-2835T-60	60pcs/m	12/24VDC	14.40 W/m	90+	1440 lm/m	1224 lm/m	12V=25mm 24V=100mm	12V=5m 24V=9m	10 mm
					95+	1238 lm/m	1052 lm/m			
High Efficiency	FN-H2835T-64	64pcs/m	24VDC	7.68 W/m	90+	1029 lm/m	875 lm/m	125mm	5m	10 mm
	FN-H28350-80	80pcs/m	24VDC	14.40W/m	90+	968 lm/m	823 lm/m			
Long Run	LN-2835T-60	60pcs/m	24VDC	5.04 W/m	90+	499 lm/m	424 lm/m	100mm	21m	10mm
					95+	413 lm/m	351 lm/m			
	LN-2835T-56	56pcs/m	48VDC	5.76 W/m	90+	230 lm/m	196 lm/m	100mm	50m	10 mm
					95+	190 lm/m	162 lm/m			
Short Cut	FN-F2835A-60	60pcs/m	12VDC	14.4 W/m	90+	668 lm/m	568 lm/m	250mm	35m	10 mm
					95+	553 lm/m	470 lm/m			
Short Cut	FN-F2835A-60	60pcs/m	12VDC	14.4 W/m	90+	1239 lm/m	1003 lm/m	33.3mm	5.5m	10 mm
					95+	979lm/m	832 lm/m			

OPTICAL SERIES

► SL1707E12

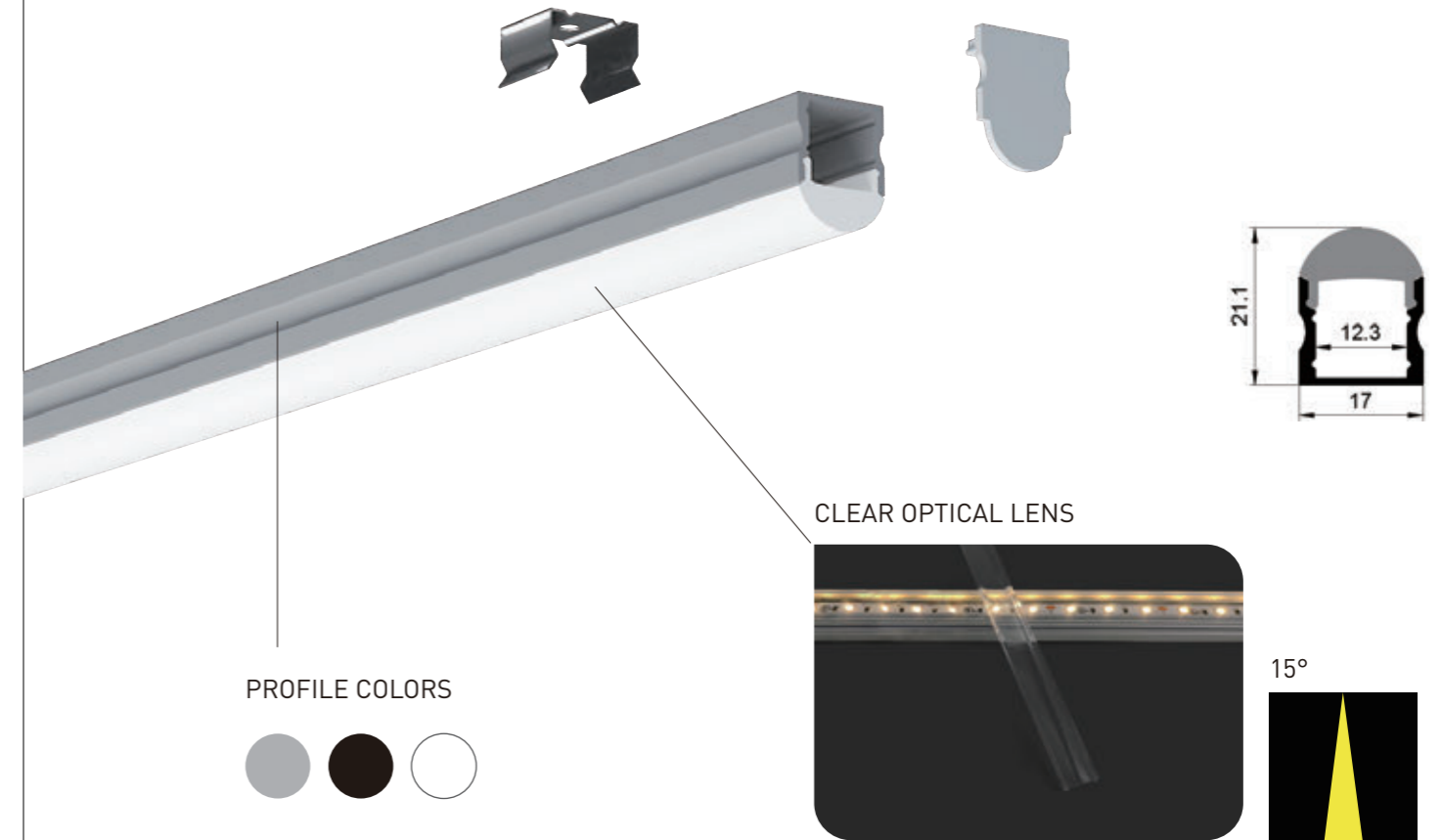
OPTICAL SERIES

► SL1715C12

RECOMMENDED LIGHT SOURCE

Performance	Part Code	Led Qty	Input Vol.	Power	CRI	Light Source Lumen	Diffuser Lens Lumen	Cuttable length	Max Run	Pcb Width
General	FN-2835T-120	120pcs/m	12/24VDC	14.40 W/m	90+	1512 lm/m	1285 lm/m	12V=25mm 24V=50mm	12V=5m 24V=9m	10 mm
					95+	1282 lm/m	1090 lm/m			
High Efficiency	FN-H2835T-128	128pcs/m	24VDC	11.52 W/m	90+	1613 lm/m	1371 lm/m	24V=62.5mm	24V=6m	10 mm
				95+	1475 lm/m	1254 lm/m				
	FN-H28350-160	160pcs/m	24VDC	24 W/m	90+	3480 lm/m	3284 lm/m	50mm	3m	10 mm
	FN-H2835T-160	160pcs/m	24VDC	14.40 W/m	90+	1987 lm/m	1689 lm/m	24V=50mm	24V=5m	10 mm
				95+	1843 lm/m	1567 lm/m				
FN-H28350-192	192pcs/m	24VDC	28.8 W/m	90+	4176 lm/m	3941 lm/m	41.7mm	2.5m	10 mm	
Long Run	LN-H2835T-80	80pcs/m	36VDC	5.18W/m	90+	580 lm/m	493 lm/m	100mm	50m	10 mm
					95+	482 lm/m	410 lm/m			
	LN-H2835T-112	112pcs/m	48VDC	11.52 W/m	90+	1336 lm/m	1136 lm/m	125mm	25m	10 mm
					95+	1106 lm/m	940 lm/m			
	LN-H2835T-120	120pcs/m	24VDC	6.00 W/m	90+	588 lm/m	500 lm/m	50mm	21m	10 mm
					95+	486 lm/m	413 lm/m			
Short Cut	FN-F2835A-120	120pcs/m	12VDC	21.60 W/m	90+	1922 lm/m	1634 lm/m	16.7mm	3.5m	10 mm
					95+	1595 lm/m	1356 lm/m			

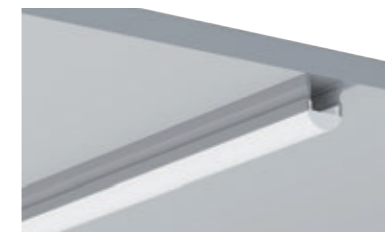
Remark: 1. The tested data based on silver finish in 4000K, CRI 90+ light source. 2. LN-H2835T-80 is good for long run, but it will show light spot.



ACCESSORIES



Rotating Bracket



Installation: Surface Mounted
 Length Available: 1-3m
 Profile Color: Silver, Black Anodized, White Powder Coating
 Lens: Clear Optical Lens
 Input Cable: Endcaps, Profile Bottom, Profile Sides
 Quick Female/Male Connectors Input cable & Junction Box available

OPTICAL SERIES

► SL1715C12

ORDERING CODE

Luminaire	Finish	Lens	Vol.	Power	CRI	CCT	Input Cable	Connector	Wiring
SL1715C12	W White	D Diffuser	12 12VDC	2.40W/m	90 90+	22-2200K , 24-2400K , 25-2500K 27-2700K , 30-3000K , 35-3500K 40-4000K , 50-5000K , 65-6500K	01 - Black&Red 22AWG	A - AMP male/female	B - Through profile back
			24 24VDC	5.04W/m					
	B Black	O Opal	24 24VDC	5.18W/m	95 95+	22-2200K , 25-2500K , 27-2700K 30-3000K , 35-3500K , 40-4000K 50-5000K , 65-6500K	02 - Black&White 22AWG	M - Molex male/female	E - Through Endcaps
			36 36VDC	5.76W/m					
	S Silver	C Clear	36 36VDC	6.00W/m	TW	Tunable White - check your executive sales	03 - White PU protected 2 pin	D - DC male/female	S - Through profile side
			48 48VDC	7.68W/m					
				11.52W/m	D2W	Dim To Warm - check your executive sales	04 - 3Pin cable for Tunable white		
				14.40W/m					
				21.60W/m					
				24.00W/m					
			28.80W/m						

RECOMMENDED LIGHT SOURCE

Performance	Part Code	Led Qty	Input Vol.	Power	CRI	Light Source Lumen	Diffuser Lens Lumen	Cutttable length	Max Run	Pcb Width
General	FN-2835T-60	60pcs/m	12/24VDC	14.40 W/m	90+	1440 lm/m	1224 lm/m	12V=25mm 24V=100mm	12V=5m 24V=9m	10 mm
					95+	1238 lm/m	1052 lm/m			
High Efficiency	FN-H2835T-64	64pcs/m	24VDC	7.68 W/m	90+	1029 lm/m	875 lm/m	125mm	5m	10 mm
					95+	968 lm/m	823 lm/m			
	FN-H28350-80	80pcs/m	24VDC	14.40W/m	90+	2275 lm/m	1934 lm/m	100mm	4m	10 mm
Long Run	LN-2835T-60	60pcs/m	24VDC	5.04 W/m	90+	499 lm/m	424 lm/m	100mm	21m	10mm
					95+	413 lm/m	351 lm/m			
				2.4 W/m	90+	230 lm/m	196 lm/m	100mm	50m	10 mm
					95+	190 lm/m	162 lm/m			
LN-2835T-56	56pcs/m	48VDC	5.76 W/m	90+	668 lm/m	568 lm/m	250mm	35m	10 mm	
				95+	553 lm/m	470 lm/m				
Short Cut	FN-F2835A-60	60pcs/m	12VDC	14.4 W/m	90+	1239 lm/m	1003 lm/m	33.3mm	5.5m	10 mm
					95+	979lm/m	832 lm/m			

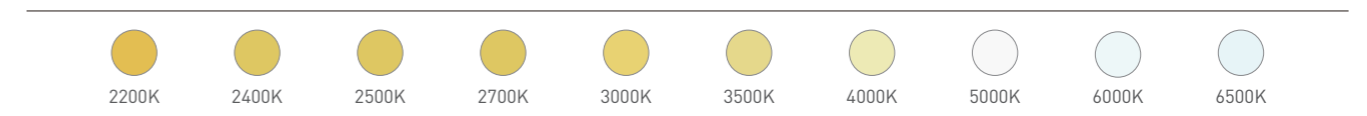
OPTICAL SERIES

► SL1715C12

RECOMMENDED LIGHT SOURCE

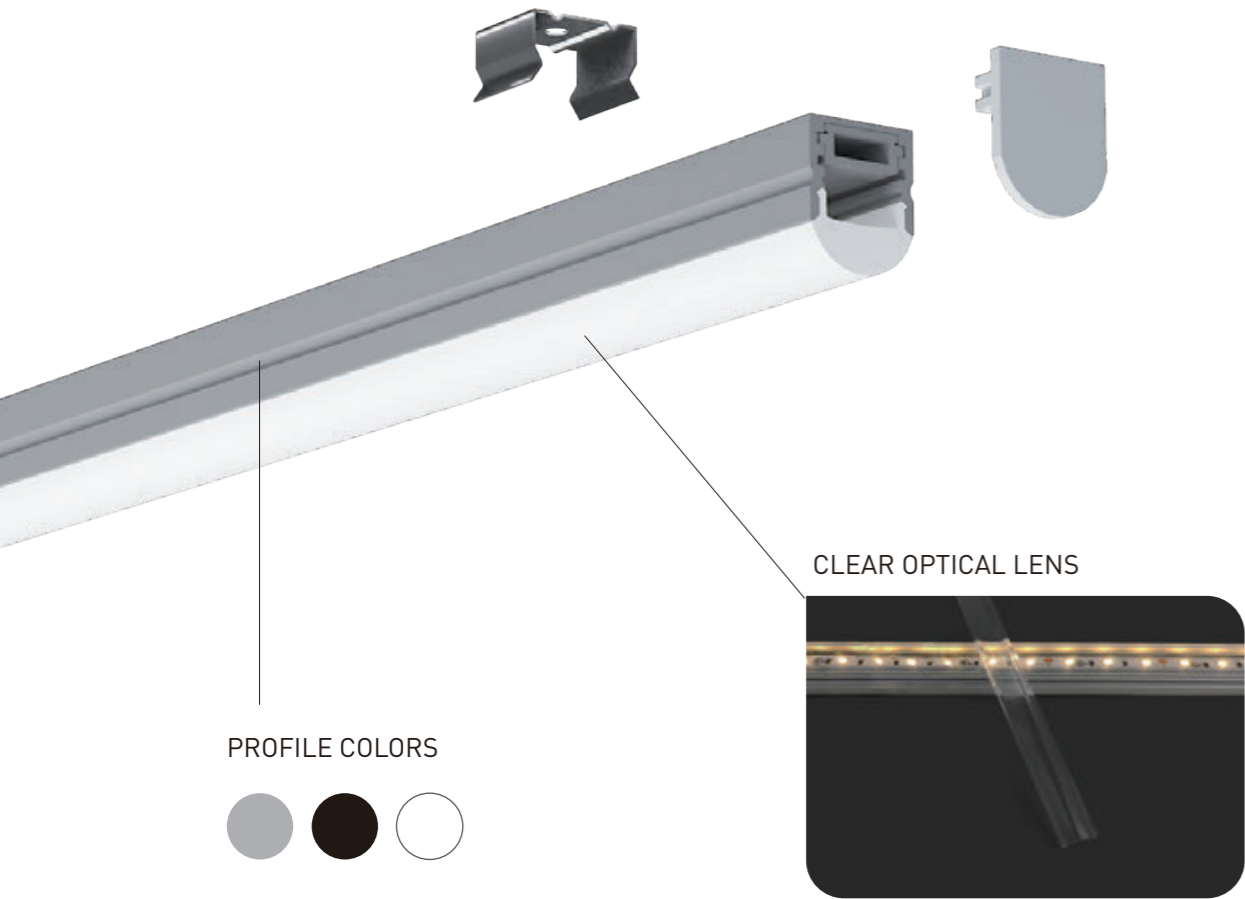
Performance	Part Code	Led Qty	Input Vol.	Power	CRI	Light Source Lumen	Diffuser Lens Lumen	Cutttable length	Max Run	Pcb Width
General	FN-2835T-120	120pcs/m	12/24VDC	14.40 W/m	90+	1512 lm/m	1285 lm/m	12V=25mm 24V=50mm	12V=5m 24V=9m	10 mm
					95+	1282 lm/m	1090 lm/m			
High Efficiency	FN-H2835T-128	128pcs/m	24VDC	11.52 W/m	90+	1613 lm/m	1371 lm/m	24V=62.5mm	24V=6m	10 mm
				95+	1475 lm/m	1254 lm/m				
	FN-H28350-160	160pcs/m	24VDC	24 W/m	90+	3480 lm/m	3284 lm/m	50mm	3m	10 mm
	FN-H2835T-160	160pcs/m	24VDC	14.40 W/m	90+	1987 lm/m	1689 lm/m	24V=50mm	24V=5m	10 mm
				95+	1843 lm/m	1567 lm/m				
FN-H28350-192	192pcs/m	24VDC	28.8 W/m	90+	4176 lm/m	3941 lm/m	41.7mm	2.5m	10 mm	
Long Run	LN-H2835T-80	80pcs/m	36VDC	5.18W/m	90+	580 lm/m	493 lm/m	100mm	50m	10 mm
					95+	482 lm/m	410 lm/m			
	LN-H2835T-112	112pcs/m	48VDC	11.52 W/m	90+	1336 lm/m	1136 lm/m	125mm	25m	10 mm
					95+	1106 lm/m	940 lm/m			
	LN-H2835T-120	120pcs/m	24VDC	6.00 W/m	90+	588 lm/m	500 lm/m	50mm	21m	10 mm
					95+	486 lm/m	413 lm/m			
Short Cut	FN-F2835A-120	120pcs/m	12VDC	21.60 W/m	90+	1922 lm/m	1634 lm/m	16.7mm	3.5m	10 mm
					95+	1595 lm/m	1356 lm/m			

Remark: 1. The tested data based on siliver finish in 4000K, CRI 90+ light source. 2. LN-H2835T-80 is good for long run, but it will show light spot.



OPTICAL SERIES

► SL1715F12



CLEAR OPTICAL LENS

PROFILE COLORS



20°-60°



ACCESSORIES



Rotating Bracket



Installation: Surface Mounted
 Length Available: 1-3m
 Profile Color: Silver, Black Anodized, White Powder Coating
 Lens: Clear Optical Lens
 Input Cable: Endcaps, Profile Bottom, Profile Sides
 Quick Female/Male Connectors Input cable & Junction Box available

OPTICAL SERIES

► SL1715F12

ORDERING CODE

Luminaire	Finish	Lens	Vol.	Power	CRI	CCT	Input Cable	Connector	Wiring
SL1715F12	W White	D Diffuser	12	2.40W/m	90 90+	22-2200K , 24-2400K , 25-2500K 27-2700K , 30-3000K , 35-3500K 40-4000K , 50-5000K , 65-6500K	01 - Black&Red 22AWG	A - AMP male/female	B - Through profile back
			12VDC	5.04W/m					
	B Black	O Opal	24	5.18W/m	95 95+	22-2200K , 25-2500K , 27-2700K 30-3000K , 35-3500K , 40-4000K 50-5000K , 65-6500K	02 - Black&White 22AWG	M - Molex male/female	E - Through Endcaps
			24VDC	5.76W/m					
	S Silver	C Clear	36	6.00W/m	TW	Tunable White - check your executive sales	03 - White PU protected 2 pin	D - DC male/female	S - Through profile side
			36VDC	7.68W/m					
			48	11.52W/m	D2W	Dim To Warm - check your executive sales	04 - 3Pin cable for Tunable white		
			48VDC	14.40W/m					
				21.60W/m					
				24.00W/m					
			28.80W/m						

RECOMMENDED LIGHT SOURCE

Performance	Part Code	Led Qty	Input Vol.	Power	CRI	Light Source Lumen	Diffuser Lens Lumen	Cutttable length	Max Run	Pcb Width
General	FN-2835T-60	60pcs/m	12/24VDC	14.40 W/m	90+	1440 lm/m	1224 lm/m	12V=25mm 24V=100mm	12V=5m 24V=9m	10 mm
					95+	1238 lm/m	1052 lm/m			
High Efficiency	FN-H2835T-64	64pcs/m	24VDC	7.68 W/m	90+	1029 lm/m	875 lm/m	125mm	5m	10 mm
	FN-H28350-80	80pcs/m	24VDC	14.40W/m	90+	968 lm/m	823 lm/m			
Long Run	LN-2835T-60	60pcs/m	24VDC	5.04 W/m	90+	499 lm/m	424 lm/m	100mm	21m	10mm
				95+	413 lm/m	351 lm/m				
	2.4 W/m	90+	230 lm/m	196 lm/m	100mm	50m	10 mm			
		95+	190 lm/m	162 lm/m						
LN-2835T-56	56pcs/m	48VDC	5.76 W/m	90+	668 lm/m	568 lm/m	250mm	35m	10 mm	
				95+	553 lm/m	470 lm/m				
Short Cut	FN-F2835A-60	60pcs/m	12VDC	14.4 W/m	90+	1239 lm/m	1003 lm/m	33.3mm	5.5m	10 mm
					95+	979lm/m	832 lm/m			

OPTICAL SERIES

► SL1715F12

OPTICAL SERIES

► SL1815D10

RECOMMENDED LIGHT SOURCE

Performance	Part Code	Led Qty	Input Vol.	Power	CRI	Light Source Lumen	Diffuser Lens Lumen	Cutable length	Max Run	Pcb Width
General	FN-2835T-120	120pcs/m	12/24VDC	14.40 W/m	90+	1512 lm/m	1285 lm/m	12V=25mm 24V=50mm	12V=5m 24V=9m	10 mm
					95+	1282 lm/m	1090 lm/m			
High Efficiency	FN-H2835T-128	128pcs/m	24VDC	11.52 W/m	90+	1613 lm/m	1371 lm/m	24V=62.5mm	24V=6m	10 mm
				95+	1475 lm/m	1254 lm/m				
	FN-H28350-160	160pcs/m	24VDC	24 W/m	90+	3480 lm/m	3284 lm/m	50mm	3m	10 mm
	FN-H2835T-160	160pcs/m	24VDC	14.40 W/m	90+	1987 lm/m	1689 lm/m	24V=50mm	24V=5m	10 mm
				95+	1843 lm/m	1567 lm/m				
FN-H28350-192	192pcs/m	24VDC	28.8 W/m	90+	4176 lm/m	3941 lm/m	41.7mm	2.5m	10 mm	
Long Run	LN-H2835T-80	80pcs/m	36VDC	5.18W/m	90+	580 lm/m	493 lm/m	100mm	50m	10 mm
				95+	482 lm/m	410 lm/m				
	LN-H2835T-112	112pcs/m	48VDC	11.52 W/m	90+	1336 lm/m	1136 lm/m	125mm	25m	10 mm
				95+	1106 lm/m	940 lm/m				
	LN-H2835T-120	120pcs/m	24VDC	6.00 W/m	90+	588 lm/m	500 lm/m	50mm	21m	10 mm
				95+	486 lm/m	413 lm/m				
Short Cut	FN-F2835A-120	120pcs/m	12VDC	21.60 W/m	90+	1922 lm/m	1634 lm/m	16.7mm	3.5m	10 mm
					95+	1595 lm/m	1356 lm/m			

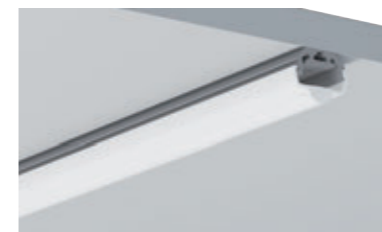
Remark: 1. The tested data based on silver finish in 4000K, CRI 90+ light source. 2. LN-H2835T-80 is good for long run, but it will show light spot.



ACCESSORIES



Rotating Bracket



Installation: Surface Mounted
 Length Available: 1-3m
 Profile Color: Silver, Black Anodized, White Powder Coating
 Lens: Clear Optical Lens
 Input Cable: Endcaps, Profile Bottom, Profile Sides
 Quick Female/Male Connectors Input cable & Junction Box available

OPTICAL SERIES

► SL1815D10

ORDERING CODE

Luminaire	Finish	Lens	Vol.	Power	CRI	CCT	Input Cable	Connector	Wiring
SL1815D10	W White	D Diffuser	12 12VDC	2.40W/m	90 90+	22-2200K , 24-2400K , 25-2500K 27-2700K , 30-3000K , 35-3500K 40-4000K , 50-5000K , 65-6500K	01 - Black&Red 22AWG	A - AMP male/female	B - Through profile back
			24 24VDC	5.04W/m					
			36 36VDC	5.18W/m					
	B Black	O Opal	24 24VDC	5.18W/m	95 95+	22-2200K , 25-2500K , 27-2700K 30-3000K , 35-3500K , 40-4000K 50-5000K , 65-6500K	02 - Black&White 22AWG	M - Molex male/female	E - Through Endcaps
			36 36VDC	5.76W/m					
			48 48VDC	6.00W/m					
	S Silver	C Clear	36 36VDC	5.76W/m	TW	Tunable White - check your executive sales	03 - White PU protected 2 pin	D - DC male/female	S - Through profile side
			48 48VDC	7.68W/m					
			48 48VDC	7.68W/m					
				11.52W/m	D2W	Dim To Warm - check your executive sales	04 - 3Pin cable for Tunable white		
			14.40W/m						
			21.60W/m						
		24.00W/m							
			28.80W/m						

RECOMMENDED LIGHT SOURCE

Performance	Part Code	Led Qty	Input Vol.	Power	CRI	Light Source Lumen	Diffuser Lens Lumen	Cutttable length	Max Run	Pcb Width
General	FN-2835T-60	60pcs/m	12/24VDC	14.40 W/m	90+	1440 lm/m	1224 lm/m	12V=25mm 24V=100mm	12V=5m 24V=9m	10 mm
					95+	1238 lm/m	1052 lm/m			
High Efficiency	FN-H2835T-64	64pcs/m	24VDC	7.68 W/m	90+	1029 lm/m	875 lm/m	125mm	5m	10 mm
					95+	968 lm/m	823 lm/m			
	FN-H28350-80	80pcs/m	24VDC	14.40W/m	90+	2275 lm/m	1934 lm/m	100mm	4m	10 mm
Long Run	LN-2835T-60	60pcs/m	24VDC	5.04 W/m	90+	499 lm/m	424 lm/m	100mm	21m	10mm
					95+	413 lm/m	351 lm/m			
				2.4 W/m	90+	230 lm/m	196 lm/m	100mm	50m	10 mm
					95+	190 lm/m	162 lm/m			
LN-2835T-56	56pcs/m	48VDC	5.76 W/m	90+	668 lm/m	568 lm/m	250mm	35m	10 mm	
				95+	553 lm/m	470 lm/m				
Short Cut	FN-F2835A-60	60pcs/m	12VDC	14.4 W/m	90+	1239 lm/m	1003 lm/m	33.3mm	5.5m	10 mm
					95+	979lm/m	832 lm/m			

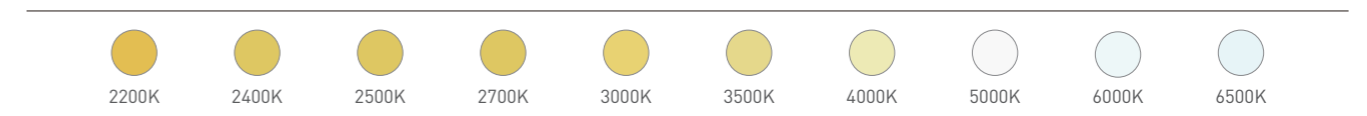
OPTICAL SERIES

► SL1815D10

RECOMMENDED LIGHT SOURCE

Performance	Part Code	Led Qty	Input Vol.	Power	CRI	Light Source Lumen	Diffuser Lens Lumen	Cutttable length	Max Run	Pcb Width
General	FN-2835T-120	120pcs/m	12/24VDC	14.40 W/m	90+	1512 lm/m	1285 lm/m	12V=25mm 24V=50mm	12V=5m 24V=9m	10 mm
					95+	1282 lm/m	1090 lm/m			
High Efficiency	FN-H2835T-128	128pcs/m	24VDC	11.52 W/m	90+	1613 lm/m	1371 lm/m	24V=62.5mm	24V=6m	10 mm
				95+	1475 lm/m	1254 lm/m				
	FN-H28350-160	160pcs/m	24VDC	24 W/m	90+	3480 lm/m	3284 lm/m	50mm	3m	10 mm
	FN-H2835T-160	160pcs/m	24VDC	14.40 W/m	90+	1987 lm/m	1689 lm/m	24V=50mm	24V=5m	10 mm
				95+	1843 lm/m	1567 lm/m				
FN-H28350-192	192pcs/m	24VDC	28.8 W/m	90+	4176 lm/m	3941 lm/m	41.7mm	2.5m	10 mm	
Long Run	LN-H2835T-80	80pcs/m	36VDC	5.18W/m	90+	580 lm/m	493 lm/m	100mm	50m	10 mm
					95+	482 lm/m	410 lm/m			
	LN-H2835T-112	112pcs/m	48VDC	11.52 W/m	90+	1336 lm/m	1136 lm/m	125mm	25m	10 mm
					95+	1106 lm/m	940 lm/m			
	LN-H2835T-120	120pcs/m	24VDC	6.00 W/m	90+	588 lm/m	500 lm/m	50mm	21m	10 mm
					95+	486 lm/m	413 lm/m			
Short Cut	FN-F2835A-120	120pcs/m	24VDC	21.60 W/m	90+	1922 lm/m	1634 lm/m	16.7mm	3.5m	10 mm
					95+	1595 lm/m	1356 lm/m			

Remark: 1. The tested data based on silver finish in 4000K, CRI 90+ light source. 2. LN-H2835T-80 is good for long run, but it will show light spot.



OPTICAL SERIES

► SL1815F10



PROFILE COLORS



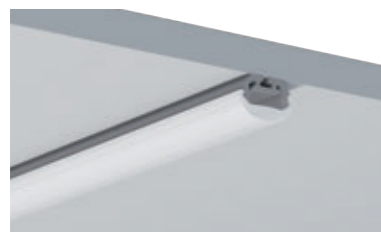
CLEAR OPTICAL LENS



ACCESSORIES



Rotating Bracket



Installation: Surface Mounted
 Length Available: 1-3m
 Profile Color: Silver, Black Anodized, White Powder Coating
 Lens: Clear Optical Lens
 Input Cable: Endcaps, Profile Bottom, Profile Sides
 Quick Female/Male Connectors Input cable & Junction Box available

OPTICAL SERIES

► SL1815F10

ORDERING CODE

Luminaire	Finish	Lens	Vol.	Power	CRI	CCT	Input Cable	Connector	Wiring
SL1815F10	W White	D Diffuser	12	2.40W/m	90 90+	22-2200K , 24-2400K , 25-2500K 27-2700K , 30-3000K , 35-3500K 40-4000K , 50-5000K , 65-6500K	01 - Black&Red 22AWG	A - AMP male/female	B - Through profile back
			12VDC	5.04W/m					
	B Black	O Opal	24	5.18W/m	95 95+	22-2200K , 25-2500K , 27-2700K 30-3000K , 35-3500K , 40-4000K 50-5000K , 65-6500K	02 - Black&White 22AWG	M - Molex male/female	E - Through Endcaps
			24VDC	5.76W/m					
	S Silver	C Clear	36	6.00W/m	TW	Tunable White - check your executive sales	03 - White PU protected 2 pin	D - DC male/female	S - Through profile side
			36VDC	7.68W/m					
			48	11.52W/m					
			48VDC	14.40W/m					
				21.60W/m					
				24.00W/m					
	28.80W/m								
				D2W	Dim To Warm - check your executive sales	04 - 3Pin cable for Tunable white			

RECOMMENDED LIGHT SOURCE

Performance	Part Code	Led Qty	Input Vol.	Power	CRI	Light Source Lumen	Diffuser Lens Lumen	Cutttable length	Max Run	Pcb Width
General	FN-2835T-60	60pcs/m	12/24VDC	14.40 W/m	90+	1440 lm/m	1224 lm/m	12V=25mm 24V=100mm	12V=5m 24V=9m	10 mm
					95+	1238 lm/m	1052 lm/m			
High Efficiency	FN-H2835T-64	64pcs/m	24VDC	7.68 W/m	90+	1029 lm/m	875 lm/m	125mm	5m	10 mm
	FN-H2835O-80	80pcs/m	24VDC	14.40W/m	90+	968 lm/m	823 lm/m			
Long Run	LN-2835T-60	60pcs/m	24VDC	5.04 W/m	90+	499 lm/m	424 lm/m	100mm	21m	10mm
				95+	413 lm/m	351 lm/m				
	LN-2835T-56	56pcs/m	48VDC	2.4 W/m	90+	230 lm/m	196 lm/m	100mm	50m	10 mm
				95+	190 lm/m	162 lm/m				
Short Cut	FN-F2835A-60	60pcs/m	12VDC	14.4 W/m	90+	668 lm/m	568 lm/m	250mm	35m	10 mm
					95+	553 lm/m	470 lm/m			
Short Cut	FN-F2835A-60	60pcs/m	12VDC	14.4 W/m	90+	1239 lm/m	1003 lm/m	33.3mm	5.5m	10 mm
					95+	979lm/m	832 lm/m			

OPTICAL SERIES

► SL1815F10

RECOMMENDED LIGHT SOURCE

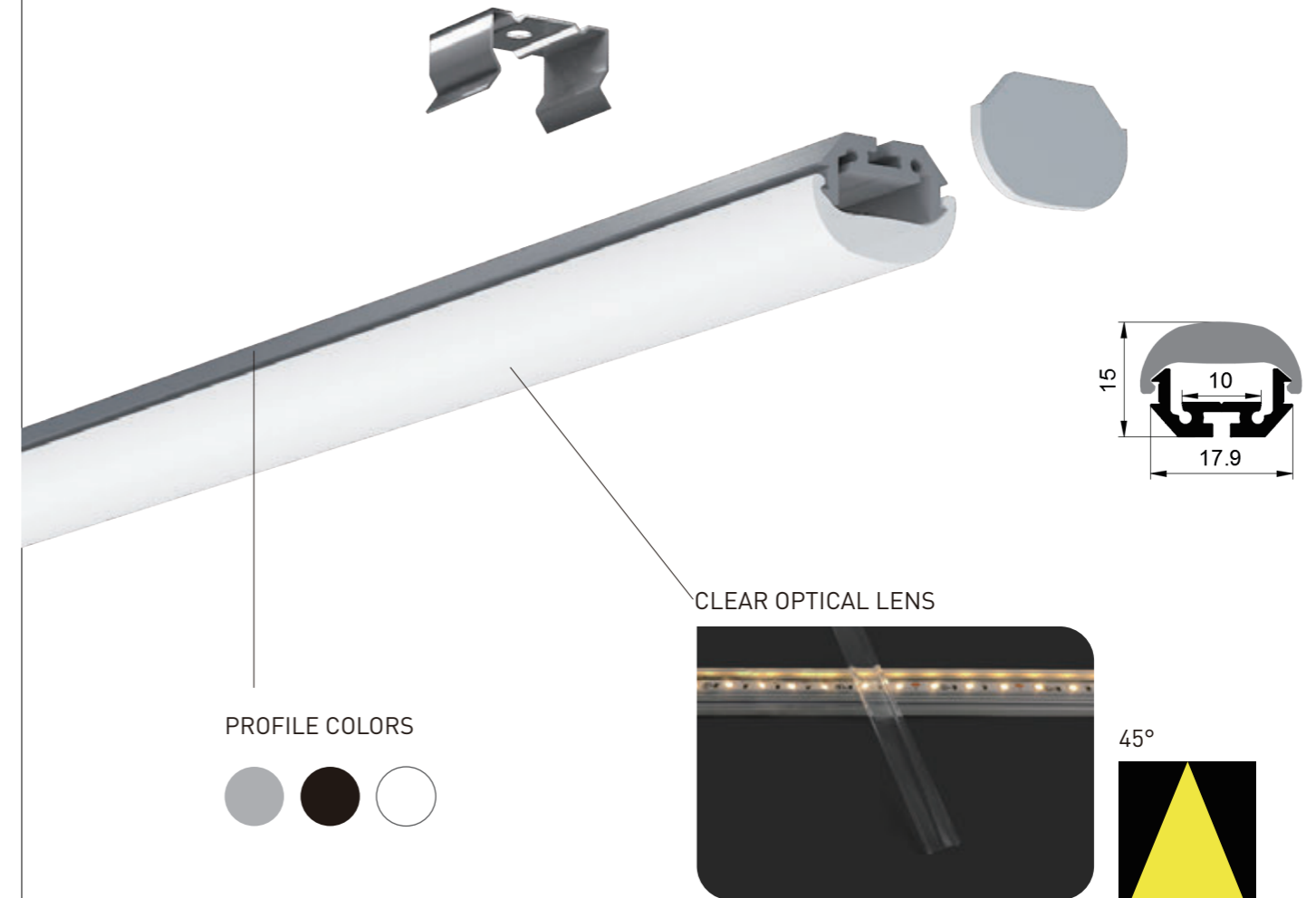
Performance	Part Code	Led Qty	Input Vol.	Power	CRI	Light Source Lumen	Diffuser Lens Lumen	Cutttable length	Max Run	Pcb Width
General	FN-2835T-120	120pcs/m	12/24VDC	14.40 W/m	90+	1512 lm/m	1285 lm/m	12V=25mm	12V=5m	10 mm
					95+	1282 lm/m	1090 lm/m	24V=50mm	24V=9m	
High Efficiency	FN-H2835T-128	128pcs/m	24VDC	11.52 W/m	90+	1613 lm/m	1371 lm/m	24V=62.5mm	24V=6m	10 mm
				95+	1475 lm/m	1254 lm/m				
	FN-H28350-160	160pcs/m	24VDC	24 W/m	90+	3480 lm/m	3284 lm/m	50mm	3m	10 mm
	FN-H2835T-160	160pcs/m	24VDC	14.40 W/m	90+	1987 lm/m	1689 lm/m	24V=50mm	24V=5m	10 mm
				95+	1843 lm/m	1567 lm/m				
FN-H28350-192	192pcs/m	24VDC	28.8 W/m	90+	4176 lm/m	3941 lm/m	41.7mm	2.5m	10 mm	
Long Run	LN-H2835T-80	80pcs/m	36VDC	5.18W/m	90+	580 lm/m	493 lm/m	100mm	50m	10 mm
				95+	482 lm/m	410 lm/m				
	LN-H2835T-112	112pcs/m	48VDC	11.52 W/m	90+	1336 lm/m	1136 lm/m	125mm	25m	10 mm
				95+	1106 lm/m	940 lm/m				
	LN-H2835T-120	120pcs/m	24VDC	6.00 W/m	90+	588 lm/m	500 lm/m	50mm	21m	10 mm
				95+	486 lm/m	413 lm/m				
Short Cut	FN-F2835A-120	120pcs/m	12VDC	21.60 W/m	90+	1922 lm/m	1634 lm/m	16.7mm	3.5m	10 mm
					95+	1595 lm/m	1356 lm/m			

Remark: 1. The tested data based on silver finish in 4000K, CRI 90+ light source. 2. LN-H2835T-80 is good for long run, but it will show light spot.



OPTICAL SERIES

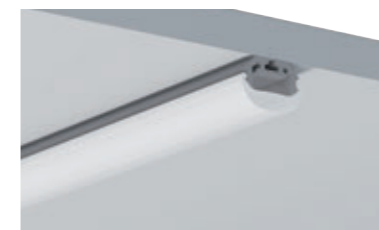
► SL1815G10



ACCESSORIES



Rotating Bracket



Installation: Surface Mounted
 Length Available: 1-3m
 Profile Color: Silver, Black Anodized, White Powder Coating
 Lens: Clear Optical Lens
 Input Cable: Endcaps, Profile Bottom, Profile Sides
 Quick Female/Male Connectors Input cable & Junction Box available

OPTICAL SERIES

► SL1815G10

OPTICAL SERIES

► SL1815G10

ORDERING CODE

Luminaire	Finish	Lens	Vol.	Power	CRI	CCT	Input Cable	Connector	Wiring
SL1815G10	W White	D Diffuser	12 12VDC	14.40W/m	90 90+	22-2200K , 24-2400K , 25-2500K 27-2700K , 30-3000K , 35-3500K 40-4000K , 50-5000K , 65-6500K	01 - Black&Red 22AWG	A - AMP male/female	B - Through profile back
			24 24VDC	7.68W/m					
	B Black	O Opal	24 24VDC	5.04W/m	95 95+	22-2200K , 25-2500K , 27-2700K 30-3000K , 35-3500K , 40-4000K 50-5000K , 65-6500K	02 - Black&White 22AWG	M - Molex male/female	E - Through Endcaps
			36 36VDC	2.40W/m					
	S Silver	C Clear	36 36VDC	2.40W/m	TW	Tunable White - check your executive sales	03 - White PU protected 2 pin	D - DC male/female	S - Through profile side
			48 48VDC	5.76W/m					
				11.52W/m	D2W	Dim To Warm - check your executive sales	04 - 3Pin cable for Tunable white		
				24.00W/m					
				28.80W/m					
				5.18W/m					
			6.00W/m						
			21.60W/m						

RECOMMENDED LIGHT SOURCE

Performance	Part Code	Led Qty	Input Vol.	Power	CRI	Light Source Lumen	Diffuser Lens Lumen	Cutttable length	Max Run	Pcb Width
General	FN-2835T-120	120pcs/m	12/24VDC	14.40 W/m	90+	1512 lm/m	1285 lm/m	12V=25mm 24V=50mm	12V=5m 24V=9m	10 mm
					95+	1282 lm/m	1090 lm/m			
High Efficiency	FN-H2835T-128	128pcs/m	24VDC	11.52 W/m	90+	1613 lm/m	1371 lm/m	24V=62.5mm	24V=6m	10 mm
				95+	1475 lm/m	1254 lm/m				
	FN-H28350-160	160pcs/m	24VDC	24 W/m	90+	3480 lm/m	3284 lm/m	50mm	3m	10 mm
	FN-H2835T-160	160pcs/m	24VDC	14.40 W/m	90+	1987 lm/m	1689 lm/m	24V=50mm	24V=5m	10 mm
				95+	1843 lm/m	1567 lm/m				
FN-H28350-192	192pcs/m	24VDC	28.8 W/m	90+	4176 lm/m	3941 lm/m	41.7mm	2.5m	10 mm	
Long Run	LN-H2835T-80	80pcs/m	36VDC	5.18W/m	90+	580 lm/m	493 lm/m	100mm	50m	10 mm
					95+	482 lm/m	410 lm/m			
	LN-H2835T-112	112pcs/m	48VDC	11.52 W/m	90+	1336 lm/m	1136 lm/m	125mm	25m	10 mm
					95+	1106 lm/m	940 lm/m			
	LN-H2835T-120	120pcs/m	24VDC	6.00 W/m	90+	588 lm/m	500 lm/m	50mm	21m	10 mm
					95+	486 lm/m	413 lm/m			
Short Cut	FN-F2835A-120	120pcs/m	12VDC	21.60 W/m	90+	1922 lm/m	1634 lm/m	16.7mm	3.5m	10 mm
					95+	1595 lm/m	1356 lm/m			

Remark: 1. The tested data based on silver finish in 4000K, CRI 90+ light source. 2. LN-H2835T-80 is good for long run, but it will show light spot.

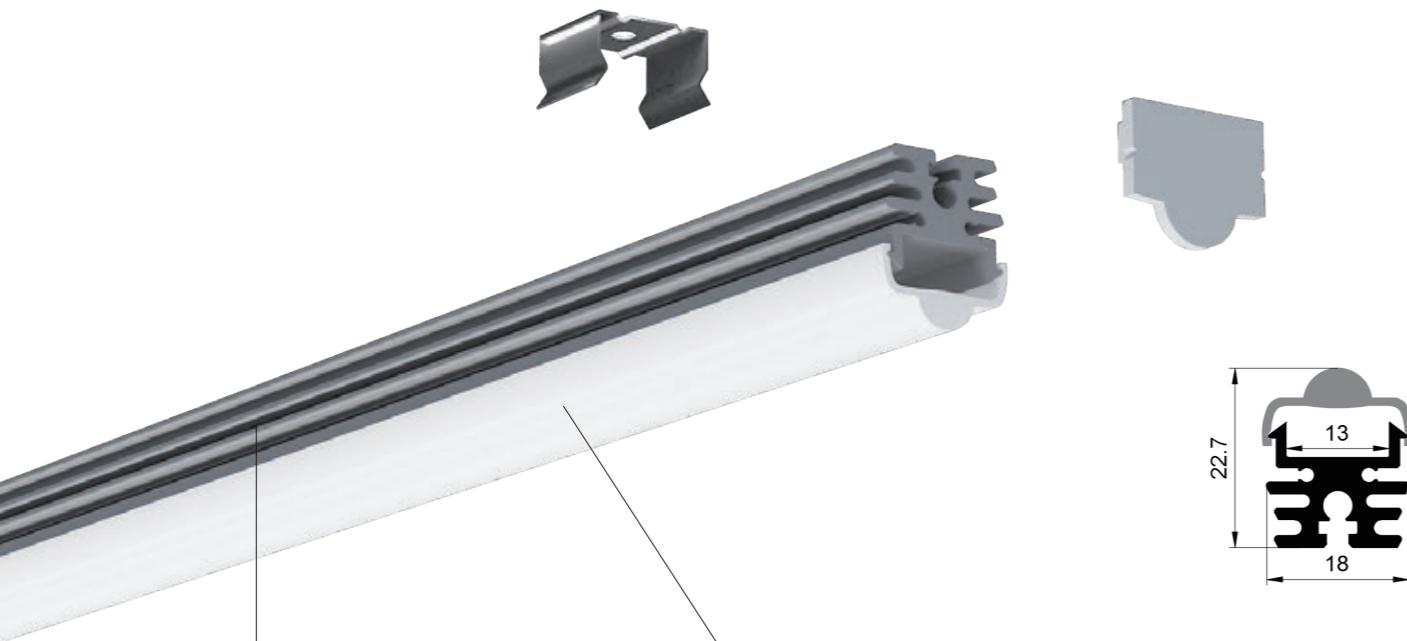


RECOMMENDED LIGHT SOURCE

Performance	Part Code	Led Qty	Input Vol.	Power	CRI	Light Source Lumen	Diffuser Lens Lumen	Cutttable length	Max Run	Pcb Width
General	FN-2835T-60	60pcs/m	12/24VDC	14.40 W/m	90+	1440 lm/m	1224 lm/m	12V=25mm 24V=100mm	12V=5m 24V=9m	10 mm
					95+	1238 lm/m	1052 lm/m			
High Efficiency	FN-H2835T-64	64pcs/m	24VDC	7.68 W/m	90+	1029 lm/m	875 lm/m	125mm	5m	10 mm
				95+	968 lm/m	823 lm/m				
	FN-H28350-80	80pcs/m	24VDC	14.40W/m	90+	2275 lm/m	1934 lm/m	100mm	4m	10 mm
Long Run	LN-2835T-60	60pcs/m	24VDC	5.04 W/m	90+	499 lm/m	424 lm/m	100mm	21m	10mm
					95+	413 lm/m	351 lm/m			
				2.4 W/m	90+	230 lm/m	196 lm/m	100mm	50m	10 mm
					95+	190 lm/m	162 lm/m			
LN-2835T-56	56pcs/m	48VDC	5.76 W/m	90+	668 lm/m	568 lm/m	250mm	35m	10 mm	
				95+	553 lm/m	470 lm/m				
Short Cut	FN-F2835A-60	60pcs/m	12VDC	14.4 W/m	90+	1239 lm/m	1003 lm/m	33.3mm	5.5m	10 mm
					95+	979lm/m	832 lm/m			

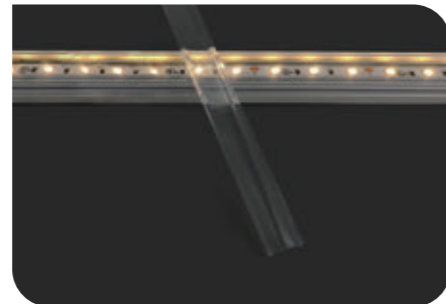
OPTICAL SERIES

► SL1824B12

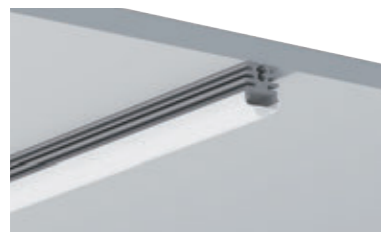


CLEAR OPTICAL LENS

PROFILE COLORS



15°



Installation: Surface Mounted
 Length Available: 1-3m
 Profile Color: Silver, Black Anodized, White Powder Coating
 Lens: Clear Optical Lens
 Input Cable: Endcaps, Profile Bottom, Profile Sides
 Quick Female/Male Connectors Input cable & Junction Box available

OPTICAL SERIES

► SL1824B12

ORDERING CODE

Luminaire	Finish	Lens	Vol.	Power	CRI	CCT	Input Cable	Connector	Wiring
SL1824B12	W White	D Diffuser	12 12VDC	2.40W/m	90 90+	22-2200K , 24-2400K , 25-2500K 27-2700K , 30-3000K , 35-3500K 40-4000K , 50-5000K , 65-6500K	01 - Black&Red 22AWG	A - AMP male/female	B - Through profile back
				5.04W/m					
	B Black	O Opal	24 24VDC	5.18W/m	95 95+	22-2200K , 25-2500K , 27-2700K 30-3000K , 35-3500K , 40-4000K 50-5000K , 65-6500K	02 - Black&White 22AWG	M - Molex male/female	E - Through Endcaps
				5.76W/m					
	S Silver	C Clear	36 36VDC	6.00W/m	TW	Tunable White - check your executive sales	03 - White PU protected 2 pin	D - DC male/female	S - Through profile side
				7.68W/m					
			48 48VDC	11.52W/m	D2W	Dim To Warm - check your executive sales	04 - 3Pin cable for Tunable white		
				14.40W/m					
				21.60W/m					
				24.00W/m					
			28.80W/m						

RECOMMENDED LIGHT SOURCE

Performance	Part Code	Led Qty	Input Vol.	Power	CRI	Light Source Lumen	Diffuser Lens Lumen	Cutttable length	Max Run	Pcb Width
General	FN-2835T-60	60pcs/m	12/24VDC	14.40 W/m	90+	1440 lm/m	1224 lm/m	12V=25mm 24V=100mm	12V=5m 24V=9m	10 mm
					95+	1238 lm/m	1052 lm/m			
High Efficiency	FN-H2835T-64	64pcs/m	24VDC	7.68 W/m	90+	1029 lm/m	875 lm/m	125mm	5m	10 mm
	95+	968 lm/m	823 lm/m							
	FN-H28350-80	80pcs/m	24VDC	14.40W/m	90+	2275 lm/m	1934 lm/m	100mm	4m	10 mm
Long Run	LN-2835T-60	60pcs/m	24VDC	5.04 W/m	90+	499 lm/m	424 lm/m	100mm	21m	10mm
					95+	413 lm/m	351 lm/m			
	LN-2835T-56	56pcs/m	48VDC	5.76 W/m	90+	230 lm/m	196 lm/m	100mm	50m	10 mm
					95+	190 lm/m	162 lm/m			
					90+	668 lm/m	568 lm/m	250mm	35m	10 mm
					95+	553 lm/m	470 lm/m			
Short Cut	FN-F2835A-60	60pcs/m	12VDC	14.4 W/m	90+	1239 lm/m	1003 lm/m	33.3mm	5.5m	10 mm
					95+	979lm/m	832 lm/m			

OPTICAL SERIES

► SL1824B12

RECOMMENDED LIGHT SOURCE

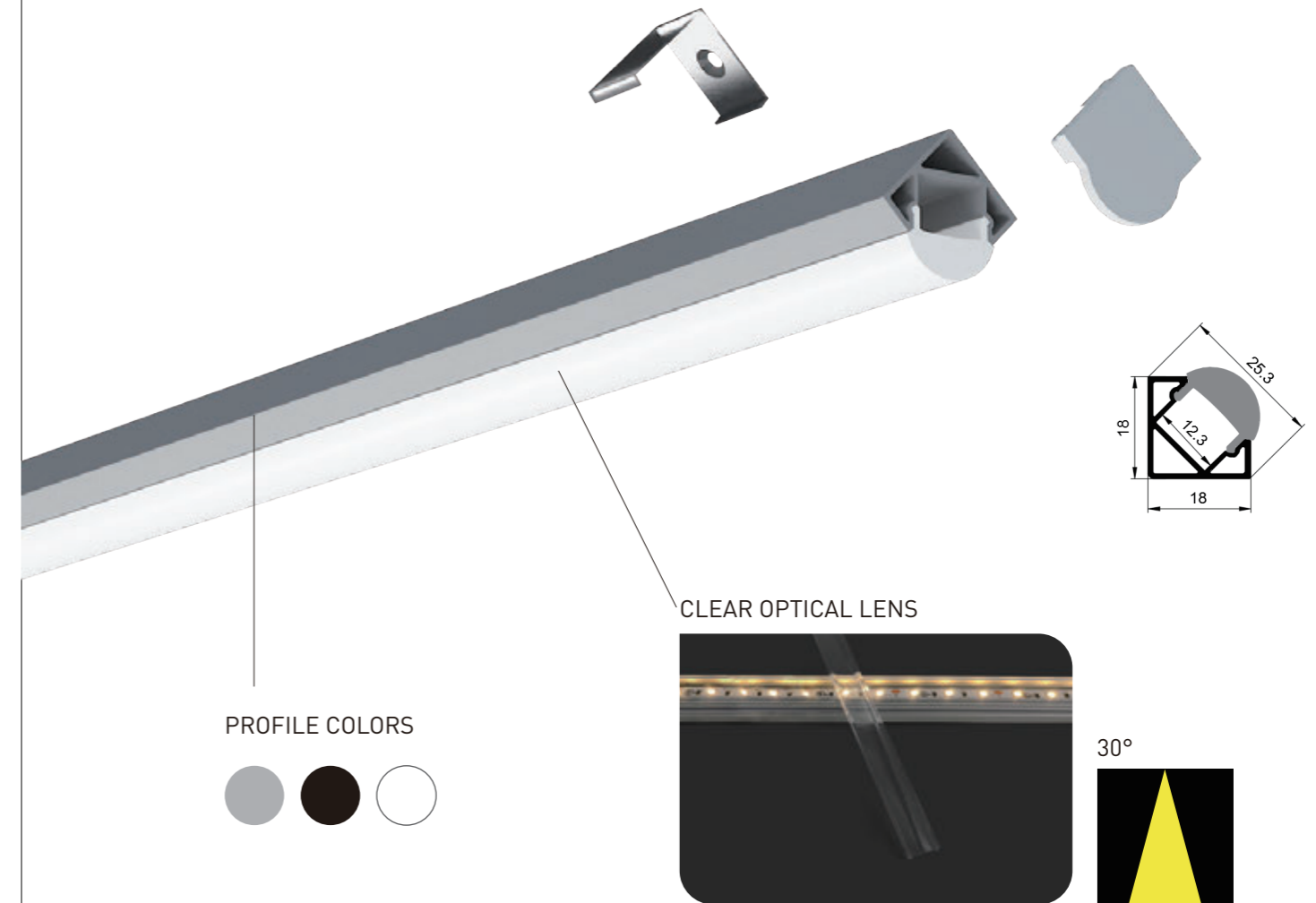
Performance	Part Code	Led Qty	Input Vol.	Power	CRI	Light Source Lumen	Diffuser Lens Lumen	Cutttable length	Max Run	Pcb Width
General	FN-2835T-120	120pcs/m	12/24VDC	14.40 W/m	90+	1512 lm/m	1285 lm/m	12V=25mm 24V=50mm	12V=5m 24V=9m	10 mm
					95+	1282 lm/m	1090 lm/m			
High Efficiency	FN-H2835T-128	128pcs/m	24VDC	11.52 W/m	90+	1613 lm/m	1371 lm/m	24V=62.5mm	24V=6m	10 mm
				95+	1475 lm/m	1254 lm/m				
	FN-H28350-160	160pcs/m	24VDC	24 W/m	90+	3480 lm/m	3284 lm/m	50mm	3m	10 mm
	FN-H2835T-160	160pcs/m	24VDC	14.40 W/m	90+	1987 lm/m	1689 lm/m	24V=50mm	24V=5m	10 mm
				95+	1843 lm/m	1567 lm/m				
FN-H28350-192	192pcs/m	24VDC	28.8 W/m	90+	4176 lm/m	3941 lm/m	41.7mm	2.5m	10 mm	
Long Run	LN-H2835T-80	80pcs/m	36VDC	5.18W/m	90+	580 lm/m	493 lm/m	100mm	50m	10 mm
				95+	482 lm/m	410 lm/m				
	LN-H2835T-112	112pcs/m	48VDC	11.52 W/m	90+	1336 lm/m	1136 lm/m	125mm	25m	10 mm
				95+	1106 lm/m	940 lm/m				
	LN-H2835T-120	120pcs/m	24VDC	6.00 W/m	90+	588 lm/m	500 lm/m	50mm	21m	10 mm
				95+	486 lm/m	413 lm/m				
Short Cut	FN-F2835A-120	120pcs/m	12VDC	21.60 W/m	90+	1922 lm/m	1634 lm/m	16.7mm	3.5m	10 mm
					95+	1595 lm/m	1356 lm/m			

Remark: 1. The tested data based on silver finish in 4000K, CRI 90+ light source. 2. LN-H2835T-80 is good for long run, but it will show light spot.



OPTICAL SERIES

► SL1919F12



Installation: Angular Surface Mounted
 Length Available: 1-3m
 Profile Color: Silver, Black Anodized, White Powder Coating
 Lens: Clear Optical Lens
 Input Cable: Endcaps, Profile Bottom, Profile Sides
 Quick Female/Male Connectors Input cable & Junction Box available

OPTICAL SERIES

► SL1919F12

ORDERING CODE

Luminaire	Finish	Lens	Vol.	Power	CRI	CCT	Input Cable	Connector	Wiring
SL1919F12	W White	D Diffuser	12 12VDC	2.40W/m	90 90+	22-2200K , 24-2400K , 25-2500K 27-2700K , 30-3000K , 35-3500K 40-4000K , 50-5000K , 65-6500K	01 - Black&Red 22AWG	A - AMP male/female	B - Through profile back
			24 24VDC	5.04W/m					
	B Black	O Opal	24 24VDC	5.18W/m	95 95+	22-2200K , 25-2500K , 27-2700K 30-3000K , 35-3500K , 40-4000K 50-5000K , 65-6500K	02 - Black&White 22AWG	M - Molex male/female	E - Through Endcaps
			36 36VDC	5.76W/m					
	S Silver	C Clear	36 36VDC	6.00W/m	TW	Tunable White - check your executive sales	03 - White PU protected 2 pin	D - DC male/female	S - Through profile side
			48 48VDC	7.68W/m					
				11.52W/m	D2W	Dim To Warm - check your executive sales	04 - 3Pin cable for Tunable white		
				14.40W/m					
				21.60W/m					
				24.00W/m					
			28.80W/m						

RECOMMENDED LIGHT SOURCE

Performance	Part Code	Led Qty	Input Vol.	Power	CRI	Light Source Lumen	Diffuser Lens Lumen	Cutttable length	Max Run	Pcb Width
General	FN-2835T-60	60pcs/m	12/24VDC	14.40 W/m	90+	1440 lm/m	1224 lm/m	12V=25mm 24V=100mm	12V=5m 24V=9m	10 mm
					95+	1238 lm/m	1052 lm/m			
High Efficiency	FN-H2835T-64	64pcs/m	24VDC	7.68 W/m	90+	1029 lm/m	875 lm/m	125mm	5m	10 mm
					95+	968 lm/m	823 lm/m			
	FN-H28350-80	80pcs/m	24VDC	14.40W/m	90+	2275 lm/m	1934 lm/m	100mm	4m	10 mm
Long Run	LN-2835T-60	60pcs/m	24VDC	5.04 W/m	90+	499 lm/m	424 lm/m	100mm	21m	10mm
					95+	413 lm/m	351 lm/m			
				2.4 W/m	90+	230 lm/m	196 lm/m	100mm	50m	10 mm
					95+	190 lm/m	162 lm/m			
LN-2835T-56	56pcs/m	48VDC	5.76 W/m	90+	668 lm/m	568 lm/m	250mm	35m	10 mm	
				95+	553 lm/m	470 lm/m				
Short Cut	FN-F2835A-60	60pcs/m	12VDC	14.4 W/m	90+	1239 lm/m	1003 lm/m	33.3mm	5.5m	10 mm
					95+	979lm/m	832 lm/m			

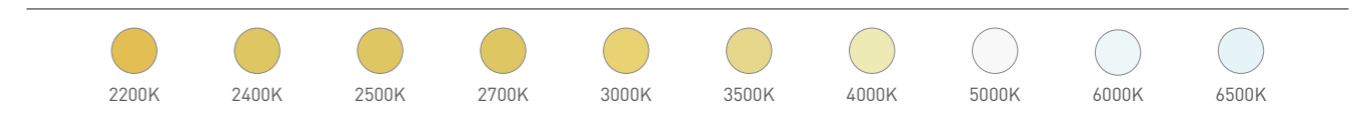
OPTICAL SERIES

► SL1919F12

RECOMMENDED LIGHT SOURCE

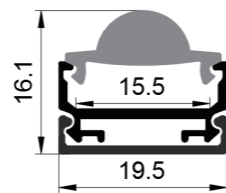
Performance	Part Code	Led Qty	Input Vol.	Power	CRI	Light Source Lumen	Diffuser Lens Lumen	Cutttable length	Max Run	Pcb Width
General	FN-2835T-120	120pcs/m	12/24VDC	14.40 W/m	90+	1512 lm/m	1285 lm/m	12V=25mm 24V=50mm	12V=5m 24V=9m	10 mm
					95+	1282 lm/m	1090 lm/m			
High Efficiency	FN-H2835T-128	128pcs/m	24VDC	11.52 W/m	90+	1613 lm/m	1371 lm/m	24V=62.5mm	24V=6m	10 mm
				95+	1475 lm/m	1254 lm/m				
	FN-H28350-160	160pcs/m	24VDC	24 W/m	90+	3480 lm/m	3284 lm/m	50mm	3m	10 mm
	FN-H2835T-160	160pcs/m	24VDC	14.40 W/m	90+	1987 lm/m	1689 lm/m	24V=50mm	24V=5m	10 mm
				95+	1843 lm/m	1567 lm/m				
FN-H28350-192	192pcs/m	24VDC	28.8 W/m	90+	4176 lm/m	3941 lm/m	41.7mm	2.5m	10 mm	
Long Run	LN-H2835T-80	80pcs/m	36VDC	5.18W/m	90+	580 lm/m	493 lm/m	100mm	50m	10 mm
					95+	482 lm/m	410 lm/m			
	LN-H2835T-112	112pcs/m	48VDC	11.52 W/m	90+	1336 lm/m	1136 lm/m	125mm	25m	10 mm
					95+	1106 lm/m	940 lm/m			
	LN-H2835T-120	120pcs/m	24VDC	6.00 W/m	90+	588 lm/m	500 lm/m	50mm	21m	10 mm
					95+	486 lm/m	413 lm/m			
Short Cut	FN-F2835A-120	120pcs/m	12VDC	21.60 W/m	90+	1922 lm/m	1634 lm/m	16.7mm	3.5m	10 mm
					95+	1595 lm/m	1356 lm/m			

Remark: 1. The tested data based on siliver finish in 4000K, CRI 90+ light source. 2. LN-H2835T-80 is good for long run, but it will show light spot.



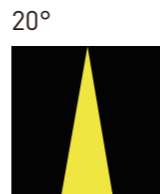
OPTICAL SERIES

► SL2019F15



CLEAR OPTICAL LENS

PROFILE COLORS



Installation: Surface Mounted
 Length Available: 1-3m
 Profile Color: Silver, Black Anodized, White Powder Coating
 Lens: Clear Optical Lens
 Input Cable: Endcaps, Profile Bottom, Profile Sides
 Quick Female/Male Connectors Input cable & Junction Box available

OPTICAL SERIES

► SL2019F15

ORDERING CODE

Luminaire	Finish	Lens	Vol.	Power	CRI	CCT	Input Cable	Connector	Wiring
SL2019F15	W White	D Diffuser	12	2.40W/m	90 90+	22-2200K , 24-2400K , 25-2500K 27-2700K , 30-3000K , 35-3500K 40-4000K , 50-5000K , 65-6500K	01 - Black&Red 22AWG	A - AMP male/female	B - Through profile back
			12VDC	5.04W/m					
	B Black	O Opal	24	5.18W/m	95 95+	22-2200K , 25-2500K , 27-2700K 30-3000K , 35-3500K , 40-4000K 50-5000K , 65-6500K	02 - Black&White 22AWG	M - Molex male/female	E - Through Endcaps
			24VDC	5.76W/m					
	S Silver	C Clear	36	6.00W/m	TW	Tunable White - check your executive sales	03 - White PU protected 2 pin	D - DC male/female	S - Through profile side
			36VDC	7.68W/m					
			48	11.52W/m	D2W	Dim To Warm - check your executive sales	04 - 3Pin cable for Tunable white		
			48	14.40W/m					
				21.60W/m					
				24.00W/m					
			28.80W/m						

RECOMMENDED LIGHT SOURCE

Performance	Part Code	Led Qty	Input Vol.	Power	CRI	Light Source Lumen	Diffuser Lens Lumen	Cutttable length	Max Run	Pcb Width
General	FN-2835T-60	60pcs/m	12/24VDC	14.40 W/m	90+	1440 lm/m	1224 lm/m	12V=25mm 24V=100mm	12V=5m 24V=9m	10 mm
					95+	1238 lm/m	1052 lm/m			
High Efficiency	FN-H2835T-64	64pcs/m	24VDC	7.68 W/m	90+	1029 lm/m	875 lm/m	125mm	5m	10 mm
				95+	968 lm/m	823 lm/m				
	FN-H28350-80	80pcs/m	24VDC	14.40W/m	90+	2275 lm/m	1934 lm/m	100mm	4m	10 mm
Long Run	LN-2835T-60	60pcs/m	24VDC	5.04 W/m	90+	499 lm/m	424 lm/m	100mm	21m	10mm
					95+	413 lm/m	351 lm/m			
	LN-2835T-56	56pcs/m	48VDC	5.76 W/m	90+	230 lm/m	196 lm/m	100mm	50m	10 mm
					95+	190 lm/m	162 lm/m			
					90+	668 lm/m	568 lm/m	250mm	35m	10 mm
					95+	553 lm/m	470 lm/m			
Short Cut	FN-F2835A-60	60pcs/m	12VDC	14.4 W/m	90+	1239 lm/m	1003 lm/m	33.3mm	5.5m	10 mm
					95+	979lm/m	832 lm/m			

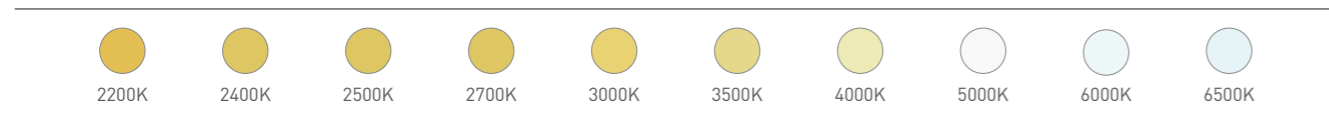
OPTICAL SERIES

► SL2019F15

RECOMMENDED LIGHT SOURCE

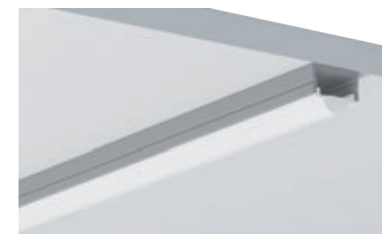
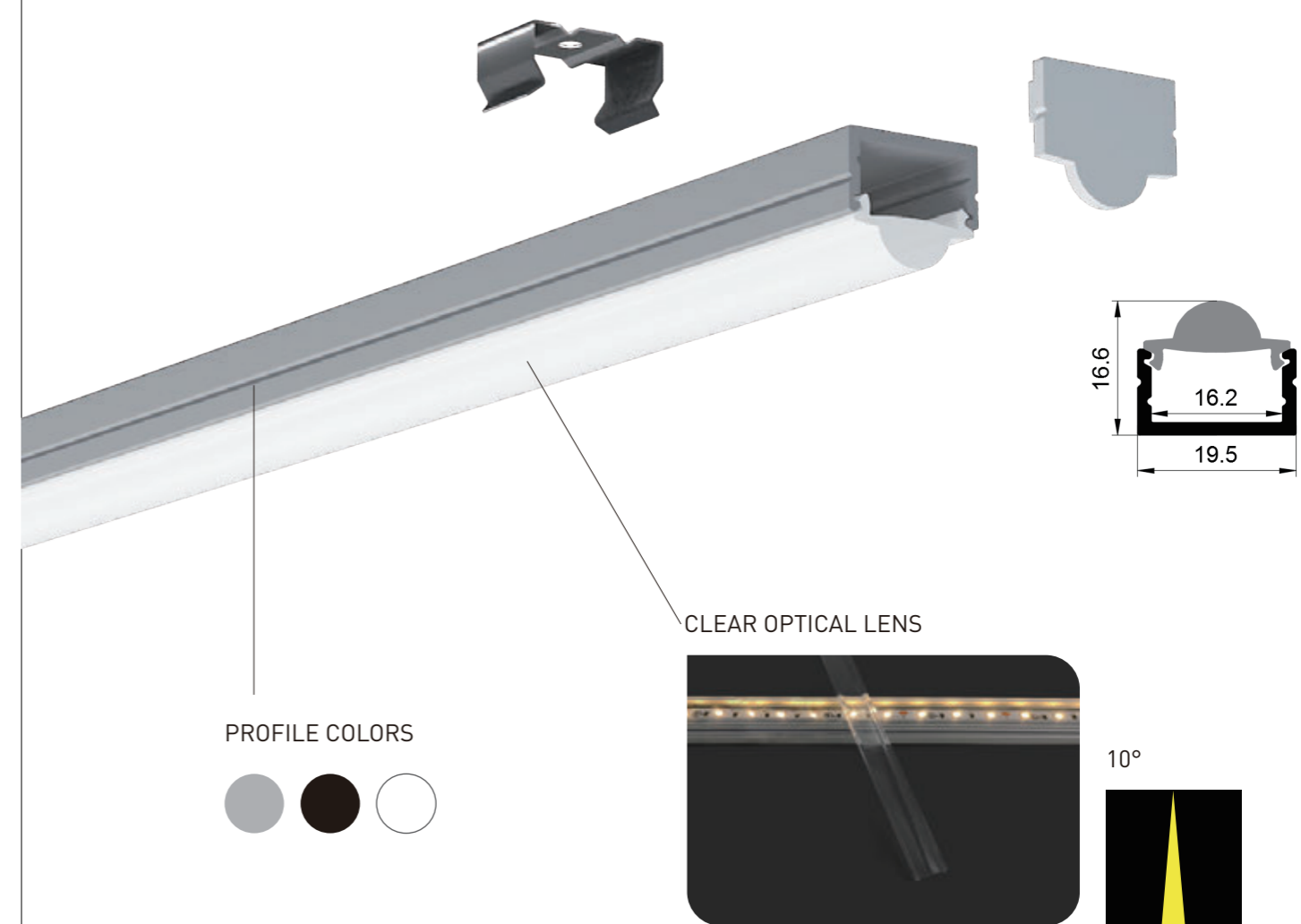
Performance	Part Code	Led Qty	Input Vol.	Power	CRI	Light Source Lumen	Diffuser Lens Lumen	Cutttable length	Max Run	Pcb Width
General	FN-2835T-120	120pcs/m	12/24VDC	14.40 W/m	90+	1512 lm/m	1285 lm/m	12V=25mm 24V=50mm	12V=5m 24V=9m	10 mm
					95+	1282 lm/m	1090 lm/m			
High Efficiency	FN-H2835T-128	128pcs/m	24VDC	11.52 W/m	90+	1613 lm/m	1371 lm/m	24V=62.5mm	24V=6m	10 mm
				95+	1475 lm/m	1254 lm/m				
	FN-H28350-160	160pcs/m	24VDC	24 W/m	90+	3480 lm/m	3284 lm/m	50mm	3m	10 mm
	FN-H2835T-160	160pcs/m	24VDC	14.40 W/m	90+	1987 lm/m	1689 lm/m	24V=50mm	24V=5m	10 mm
				95+	1843 lm/m	1567 lm/m				
FN-H28350-192	192pcs/m	24VDC	28.8 W/m	90+	4176 lm/m	3941 lm/m	41.7mm	2.5m	10 mm	
Long Run	LN-H2835T-80	80pcs/m	36VDC	5.18W/m	90+	580 lm/m	493 lm/m	100mm	50m	10 mm
				95+	482 lm/m	410 lm/m				
	LN-H2835T-112	112pcs/m	48VDC	11.52 W/m	90+	1336 lm/m	1136 lm/m	125mm	25m	10 mm
				95+	1106 lm/m	940 lm/m				
	LN-H2835T-120	120pcs/m	24VDC	6.00 W/m	90+	588 lm/m	500 lm/m	50mm	21m	10 mm
				95+	486 lm/m	413 lm/m				
Short Cut	FN-F2835A-120	120pcs/m	12VDC	21.60 W/m	90+	1922 lm/m	1634 lm/m	16.7mm	3.5m	10 mm
					95+	1595 lm/m	1356 lm/m			

Remark: 1. The tested data based on silver finish in 4000K, CRI 90+ light source. 2. LN-H2835T-80 is good for long run, but it will show light spot.



OPTICAL SERIES

► SL2016G16



Installation: Surface Mounted
 Length Available: 1-3m
 Profile Color: Silver, Black Anodized, White Powder Coating
 Lens: Clear Optical Lens
 Input Cable: Endcaps, Profile Bottom, Profile Sides
 Quick Female/Male Connectors Input cable & Junction Box available

OPTICAL SERIES

► SL2016G16

ORDERING CODE

Luminaire	Finish	Lens	Vol.	Power	CRI	CCT	Input Cable	Connector	Wiring
SL2016G16	W White	D Diffuser	12 12VDC	2.40W/m	90 90+	22-2200K , 24-2400K , 25-2500K 27-2700K , 30-3000K , 35-3500K 40-4000K , 50-5000K , 65-6500K	01 - Black&Red 22AWG	A - AMP male/female	B - Through profile back
				5.04W/m					
	B Black	O Opal	24 24VDC	5.18W/m	95 95+	22-2200K , 25-2500K , 27-2700K 30-3000K , 35-3500K , 40-4000K 50-5000K , 65-6500K	02 - Black&White 22AWG	M - Molex male/female	E - Through Endcaps
				5.76W/m					
	S Silver	C Clear	36 36VDC	6.00W/m	TW	Tunable White - check your executive sales	03 - White PU protected 2 pin	D - DC male/female	S - Through profile side
				7.68W/m					
				11.52W/m	D2W	Dim To Warm - check your executive sales	04 - 3Pin cable for Tunable white		
				14.40W/m					
				21.60W/m					
				24.00W/m					
			28.80W/m						

RECOMMENDED LIGHT SOURCE

Performance	Part Code	Led Qty	Input Vol.	Power	CRI	Light Source Lumen	Diffuser Lens Lumen	Cutttable length	Max Run	Pcb Width
General	FN-2835T-60	60pcs/m	12/24VDC	14.40 W/m	90+	1440 lm/m	1224 lm/m	12V=25mm 24V=100mm	12V=5m 24V=9m	10 mm
					95+	1238 lm/m	1052 lm/m			
High Efficiency	FN-H2835T-64	64pcs/m	24VDC	7.68 W/m	90+	1029 lm/m	875 lm/m	125mm	5m	10 mm
					95+	968 lm/m	823 lm/m			
	FN-H28350-80	80pcs/m	24VDC	14.40W/m	90+	2275 lm/m	1934 lm/m	100mm	4m	10 mm
Long Run	LN-2835T-60	60pcs/m	24VDC	5.04 W/m	90+	499 lm/m	424 lm/m	100mm	21m	10mm
					95+	413 lm/m	351 lm/m			
				2.4 W/m	90+	230 lm/m	196 lm/m	100mm	50m	10 mm
					95+	190 lm/m	162 lm/m			
LN-2835T-56	56pcs/m	48VDC	5.76 W/m	90+	668 lm/m	568 lm/m	250mm	35m	10 mm	
				95+	553 lm/m	470 lm/m				
Short Cut	FN-F2835A-60	60pcs/m	12VDC	14.4 W/m	90+	1239 lm/m	1003 lm/m	33.3mm	5.5m	10 mm
					95+	979lm/m	832 lm/m			

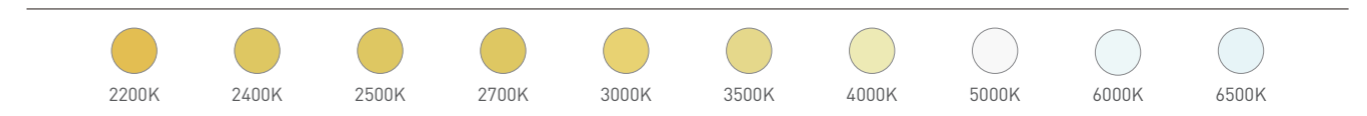
OPTICAL SERIES

► SL2016G16

RECOMMENDED LIGHT SOURCE

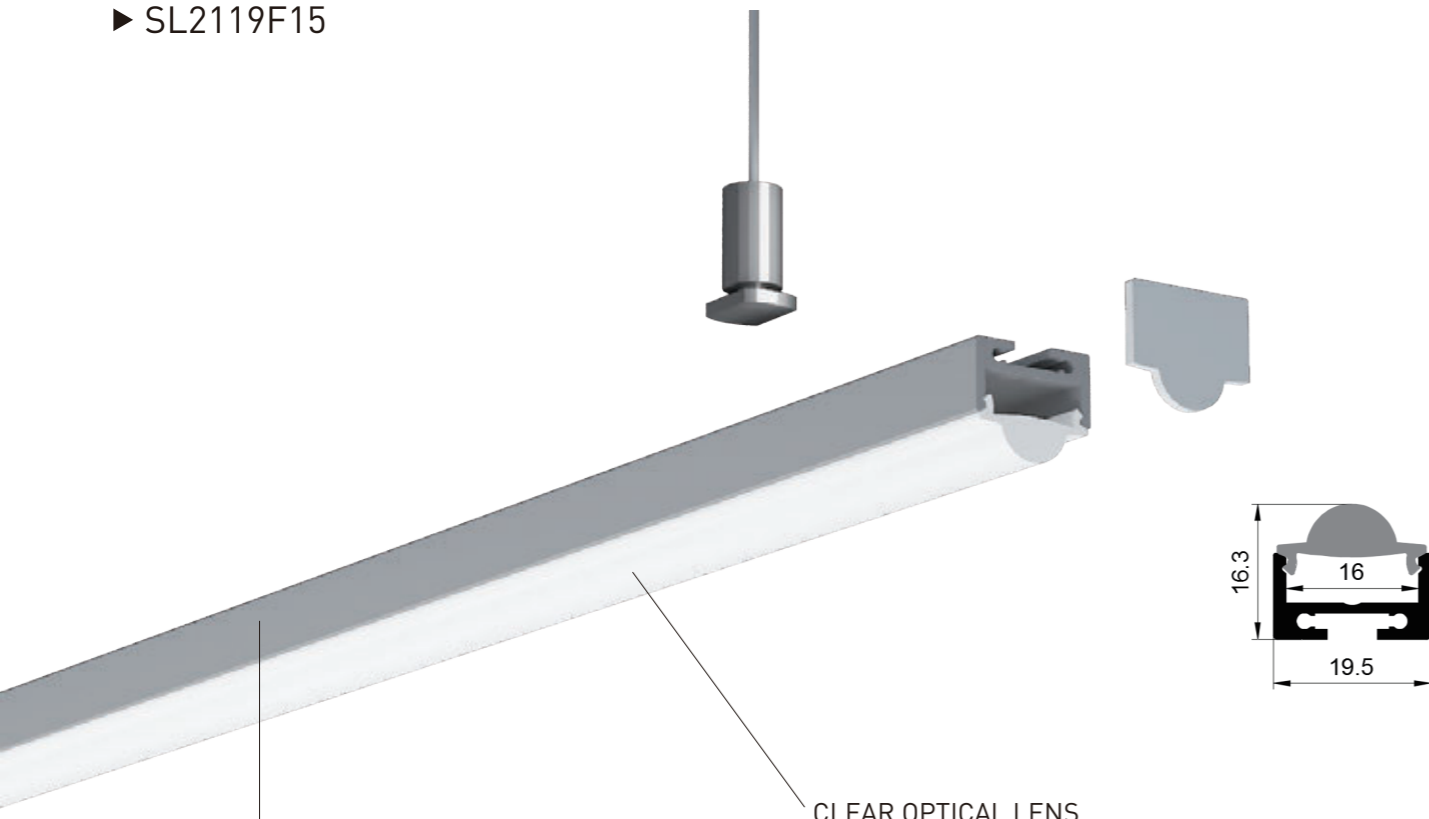
Performance	Part Code	Led Qty	Input Vol.	Power	CRI	Light Source Lumen	Diffuser Lens Lumen	Cutttable length	Max Run	Pcb Width
General	FN-2835T-120	120pcs/m	12/24VDC	14.40 W/m	90+	1512 lm/m	1285 lm/m	12V=25mm 24V=50mm	12V=5m 24V=9m	10 mm
					95+	1282 lm/m	1090 lm/m			
High Efficiency	FN-H2835T-128	128pcs/m	24VDC	11.52 W/m	90+	1613 lm/m	1371 lm/m	24V=62.5mm	24V=6m	10 mm
				95+	1475 lm/m	1254 lm/m				
	FN-H28350-160	160pcs/m	24VDC	24 W/m	90+	3480 lm/m	3284 lm/m	50mm	3m	10 mm
	FN-H2835T-160	160pcs/m	24VDC	14.40 W/m	90+	1987 lm/m	1689 lm/m	24V=50mm	24V=5m	10 mm
				95+	1843 lm/m	1567 lm/m				
FN-H28350-192	192pcs/m	24VDC	28.8 W/m	90+	4176 lm/m	3941 lm/m	41.7mm	2.5m	10 mm	
Long Run	LN-H2835T-80	80pcs/m	36VDC	5.18W/m	90+	580 lm/m	493 lm/m	100mm	50m	10 mm
					95+	482 lm/m	410 lm/m			
	LN-H2835T-112	112pcs/m	48VDC	11.52 W/m	90+	1336 lm/m	1136 lm/m	125mm	25m	10 mm
					95+	1106 lm/m	940 lm/m			
	LN-H2835T-120	120pcs/m	24VDC	6.00 W/m	90+	588 lm/m	500 lm/m	50mm	21m	10 mm
					95+	486 lm/m	413 lm/m			
Short Cut	FN-F2835A-120	120pcs/m	12VDC	21.60 W/m	90+	1922 lm/m	1634 lm/m	16.7mm	3.5m	10 mm
					95+	1595 lm/m	1356 lm/m			

Remark: 1. The tested data based on silver finish in 4000K, CRI 90+ light source. 2. LN-H2835T-80 is good for long run, but it will show light spot.



OPTICAL SERIES

► SL2119F15



CLEAR OPTICAL LENS

PROFILE COLORS



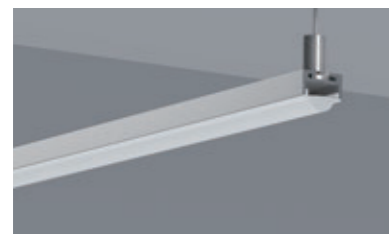
20°



ACCESSORIES



Pendant Kit



Installation: Pendant
 Length Available: 1-3m
 Profile Color: Silver, Black Anodized, White Powder Coating
 Lens: Clear Optical Lens
 Input Cable: Endcaps, Profile Bottom, Profile Sides
 Quick Female/Male Connectors Input cable & Junction Box available

OPTICAL SERIES

► SL2119F15

ORDERING CODE

Luminaire	Finish	Lens	Vol.	Power	CRI	CCT	Input Cable	Connector	Wiring
SL2119F15	W White	D Diffuser	12 12VDC	14.40W/m	90 90+	22-2200K , 24-2400K , 25-2500K 27-2700K , 30-3000K , 35-3500K 40-4000K , 50-5000K , 65-6500K	01 - Black&Red 22AWG	A - AMP male/female	B - Through profile back
			24 24VDC	7.68W/m					
	B Black	O Opal	24 24VDC	5.04W/m	95 95+	22-2200K , 25-2500K , 27-2700K 30-3000K , 35-3500K , 40-4000K 50-5000K , 65-6500K	02 - Black&White 22AWG	M - Molex male/female	E - Through Endcaps
			36 36VDC	2.40W/m					
	S Silver	C Clear	48 48VDC	5.76W/m	TW	Tunable White - check your executive sales	03 - White PU protected 2 pin	D - DC male/female	S - Through profile side
			48 48VDC	11.52W/m					
				24.00W/m	D2W	Dim To Warm - check your executive sales	04 - 3Pin cable for Tunable white		
				28.80W/m					
				5.18W/m					
				6.00W/m					
			21.60W/m						

RECOMMENDED LIGHT SOURCE

Performance	Part Code	Led Qty	Input Vol.	Power	CRI	Light Source Lumen	Diffuser Lens Lumen	Cutttable length	Max Run	Pcb Width
General	FN-2835T-60	60pcs/m	12/24VDC	14.40 W/m	90+	1440 lm/m	1224 lm/m	12V=25mm 24V=100mm	12V=5m 24V=9m	10 mm
					95+	1238 lm/m	1052 lm/m			
High Efficiency	FN-H2835T-64	64pcs/m	24VDC	7.68 W/m	90+	1029 lm/m	875 lm/m	125mm	5m	10 mm
	FN-H2835O-80	80pcs/m	24VDC	14.40W/m	90+	968 lm/m	823 lm/m			
Long Run	LN-2835T-60	60pcs/m	24VDC	5.04 W/m	90+	499 lm/m	424 lm/m	100mm	21m	10mm
				95+	413 lm/m	351 lm/m				
	LN-2835T-56	56pcs/m	48VDC	2.4 W/m	90+	230 lm/m	196 lm/m	100mm	50m	10 mm
				95+	190 lm/m	162 lm/m				
Short Cut	FN-F2835A-60	60pcs/m	12VDC	14.4 W/m	90+	1239 lm/m	1003 lm/m	33.3mm	5.5m	10 mm
					95+	979lm/m	832 lm/m			

OPTICAL SERIES

► SL2119F15

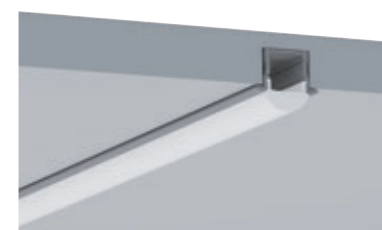
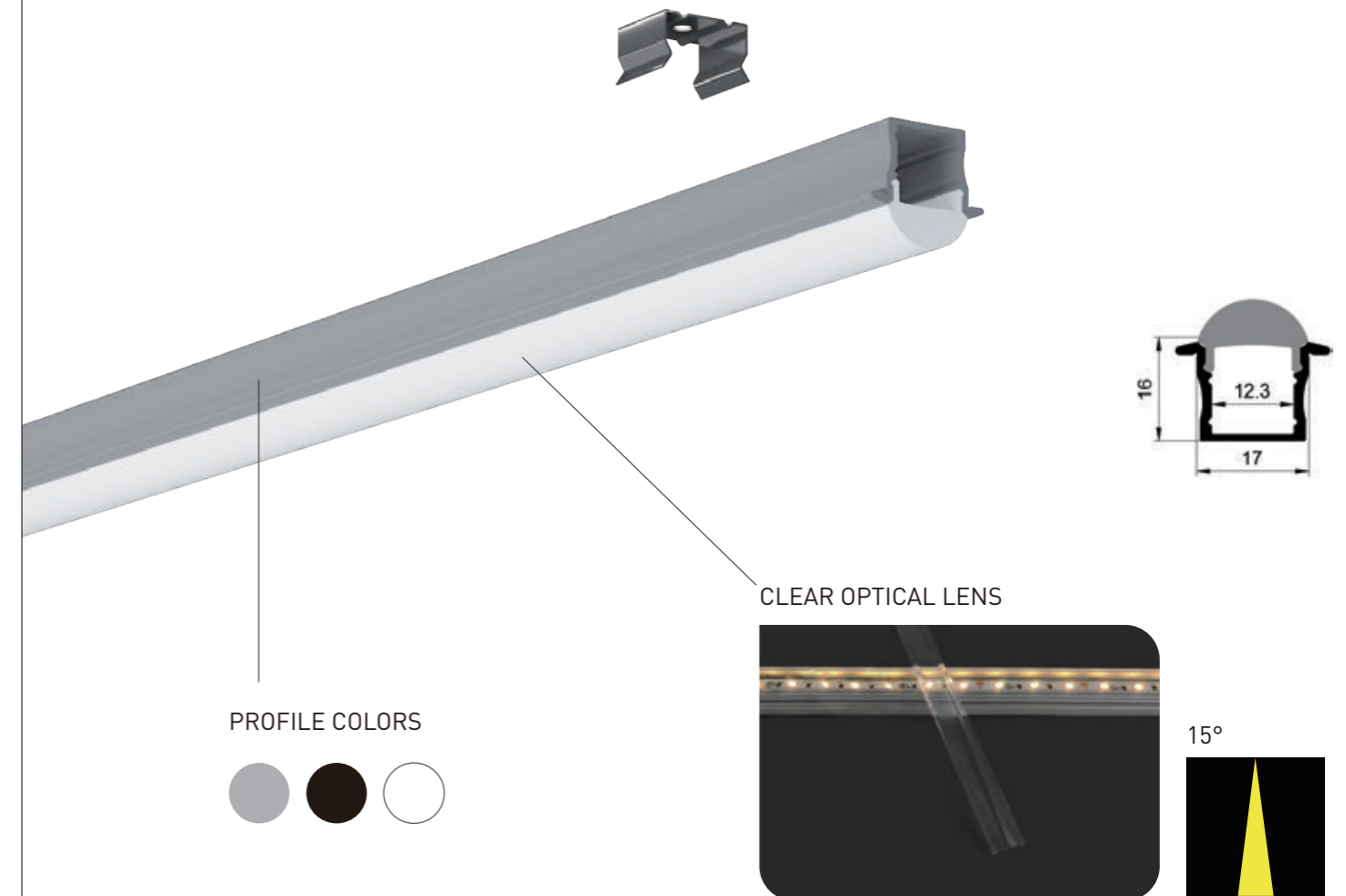
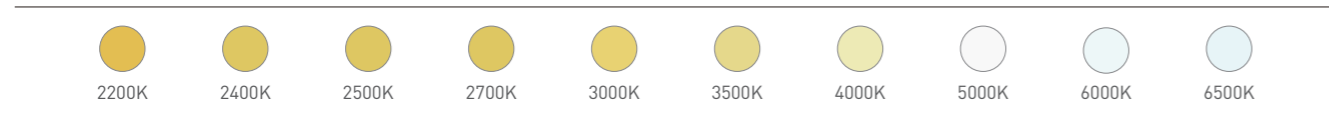
OPTICAL SERIES

► SL2515F12

RECOMMENDED LIGHT SOURCE

Performance	Part Code	Led Qty	Input Vol.	Power	CRI	Light Source Lumen	Diffuser Lens Lumen	Cutable length	Max Run	Pcb Width
General	FN-2835T-120	120pcs/m	12/24VDC	14.40 W/m	90+	1512 lm/m	1285 lm/m	12V=25mm 24V=50mm	12V=5m 24V=9m	10 mm
					95+	1282 lm/m	1090 lm/m			
High Efficiency	FN-H2835T-128	128pcs/m	24VDC	11.52 W/m	90+	1613 lm/m	1371 lm/m	24V=62.5mm	24V=6m	10 mm
				95+	1475 lm/m	1254 lm/m				
	FN-H28350-160	160pcs/m	24VDC	24 W/m	90+	3480 lm/m	3284 lm/m	50mm	3m	10 mm
	FN-H2835T-160	160pcs/m	24VDC	14.40 W/m	90+	1987 lm/m	1689 lm/m	24V=50mm	24V=5m	10 mm
				95+	1843 lm/m	1567 lm/m				
FN-H28350-192	192pcs/m	24VDC	28.8 W/m	90+	4176 lm/m	3941 lm/m	41.7mm	2.5m	10 mm	
Long Run	LN-H2835T-80	80pcs/m	36VDC	5.18W/m	90+	580 lm/m	493 lm/m	100mm	50m	10 mm
					95+	482 lm/m	410 lm/m			
	LN-H2835T-112	112pcs/m	48VDC	11.52 W/m	90+	1336 lm/m	1136 lm/m	125mm	25m	10 mm
					95+	1106 lm/m	940 lm/m			
	LN-H2835T-120	120pcs/m	24VDC	6.00 W/m	90+	588 lm/m	500 lm/m	50mm	21m	10 mm
					95+	486 lm/m	413 lm/m			
Short Cut	FN-F2835A-120	120pcs/m	12VDC	21.60 W/m	90+	1922 lm/m	1634 lm/m	16.7mm	3.5m	10 mm
					95+	1595 lm/m	1356 lm/m			

Remark: 1. The tested data based on silver finish in 4000K, CRI 90+ light source. 2. LN-H2835T-80 is good for long run, but it will show light spot.



Installation: Trimed Recessed
 Length Available: 1-3m
 Profile Color: Silver, Black Anodized, White Powder Coating
 Lens: Clear Optical Lens
 Input Cable: Endcaps, Profile Bottom, Profile Sides
 Quick Female/Male Connectors Input cable & Junction Box available

OPTICAL SERIES

► SL2515F12

OPTICAL SERIES

► SL2515F12

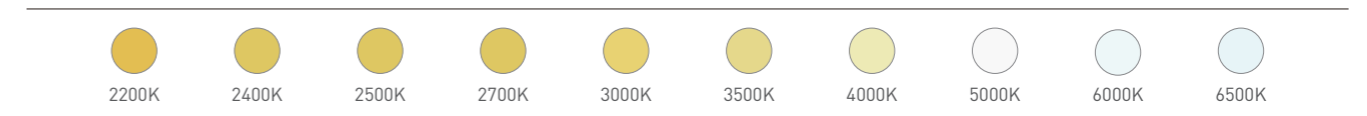
ORDERING CODE

Luminaire	Finish	Lens	Vol.	Power	CRI	CCT	Input Cable	Connector	Wiring
SL2515F12	W White	D Diffuser	12 12VDC	2.40W/m	90 90+	22-2200K , 24-2400K , 25-2500K 27-2700K , 30-3000K , 35-3500K 40-4000K , 50-5000K , 65-6500K	01 - Black&Red 22AWG	A - AMP male/female	B - Through profile back
			24 24VDC	5.04W/m					
	B Black	O Opal	24 24VDC	5.18W/m	95 95+	22-2200K , 25-2500K , 27-2700K 30-3000K , 35-3500K , 40-4000K 50-5000K , 65-6500K	02 - Black&White 22AWG	M - Molex male/female	E - Through Endcaps
			36 36VDC	5.76W/m					
	S Silver	C Clear	36 36VDC	6.00W/m	TW	Tunable White - check your executive sales	03 - White PU protected 2 pin	D - DC male/female	S - Through profile side
			48 48VDC	7.68W/m					
				11.52W/m	D2W	Dim To Warm - check your executive sales	04 - 3Pin cable for Tunable white		
				14.40W/m					
				21.60W/m					
				24.00W/m					
			28.80W/m						

RECOMMENDED LIGHT SOURCE

Performance	Part Code	Led Qty	Input Vol.	Power	CRI	Light Source Lumen	Diffuser Lens Lumen	Cutttable length	Max Run	Pcb Width
General	FN-2835T-120	120pcs/m	12/24VDC	14.40 W/m	90+	1512 lm/m	1285 lm/m	12V=25mm 24V=50mm	12V=5m 24V=9m	10 mm
					95+	1282 lm/m	1090 lm/m			
High Efficiency	FN-H2835T-128	128pcs/m	24VDC	11.52 W/m	90+	1613 lm/m	1371 lm/m	24V=62.5mm	24V=6m	10 mm
					95+	1475 lm/m	1254 lm/m			
	FN-H28350-160	160pcs/m	24VDC	24 W/m	90+	3480 lm/m	3284 lm/m	50mm	3m	10 mm
	FN-H2835T-160	160pcs/m	24VDC	14.40 W/m	90+	1987 lm/m	1689 lm/m	24V=50mm	24V=5m	10 mm
					95+	1843 lm/m	1567 lm/m			
FN-H28350-192	192pcs/m	24VDC	28.8 W/m	90+	4176 lm/m	3941 lm/m	41.7mm	2.5m	10 mm	
Long Run	LN-H2835T-80	80pcs/m	36VDC	5.18W/m	90+	580 lm/m	493 lm/m	100mm	50m	10 mm
					95+	482 lm/m	410 lm/m			
	LN-H2835T-112	112pcs/m	48VDC	11.52 W/m	90+	1336 lm/m	1136 lm/m	125mm	25m	10 mm
					95+	1106 lm/m	940 lm/m			
	LN-H2835T-120	120pcs/m	24VDC	6.00 W/m	90+	588 lm/m	500 lm/m	50mm	21m	10 mm
					95+	486 lm/m	413 lm/m			
Short Cut	FN-F2835A-120	120pcs/m	12VDC	21.60 W/m	90+	1922 lm/m	1634 lm/m	16.7mm	3.5m	10 mm
					95+	1595 lm/m	1356 lm/m			

Remark: 1. The tested data based on siliver finish in 4000K, CRI 90+ light source. 2. LN-H2835T-80 is good for long run, but it will show light spot.

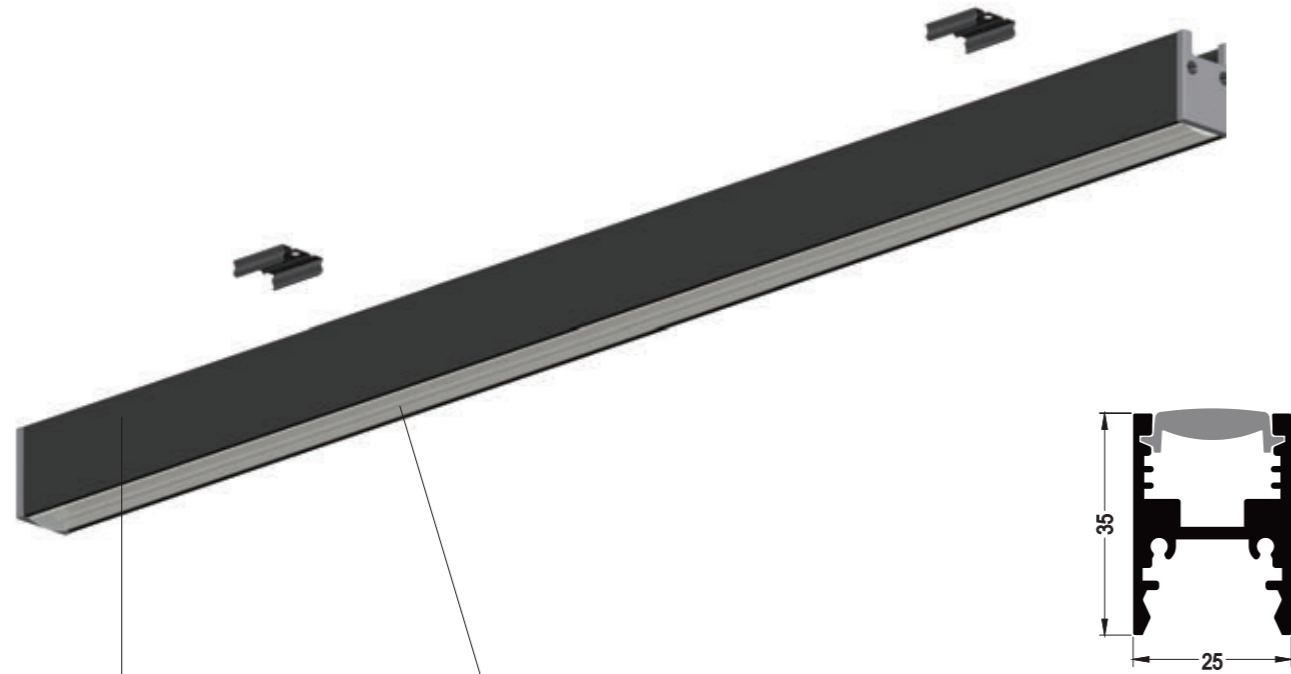


RECOMMENDED LIGHT SOURCE

Performance	Part Code	Led Qty	Input Vol.	Power	CRI	Light Source Lumen	Diffuser Lens Lumen	Cutttable length	Max Run	Pcb Width
General	FN-2835T-60	60pcs/m	12/24VDC	14.40 W/m	90+	1440 lm/m	1224 lm/m	12V=25mm 24V=100mm	12V=5m 24V=9m	10 mm
					95+	1238 lm/m	1052 lm/m			
High Efficiency	FN-H2835T-64	64pcs/m	24VDC	7.68 W/m	90+	1029 lm/m	875 lm/m	125mm	5m	10 mm
					95+	968 lm/m	823 lm/m			
	FN-H28350-80	80pcs/m	24VDC	14.40W/m	90+	2275 lm/m	1934 lm/m	100mm	4m	10 mm
Long Run	LN-2835T-60	60pcs/m	24VDC	5.04 W/m	90+	499 lm/m	424 lm/m	100mm	21m	10mm
					95+	413 lm/m	351 lm/m			
				2.4 W/m	90+	230 lm/m	196 lm/m	100mm	50m	10 mm
					95+	190 lm/m	162 lm/m			
LN-2835T-56	56pcs/m	48VDC	5.76 W/m	90+	668 lm/m	568 lm/m	250mm	35m	10 mm	
				95+	553 lm/m	470 lm/m				
Short Cut	FN-F2835A-60	60pcs/m	12VDC	14.4 W/m	90+	1239 lm/m	1003 lm/m	33.3mm	5.5m	10 mm
					95+	979lm/m	832 lm/m			

OPTICAL SERIES

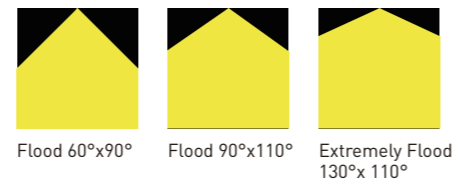
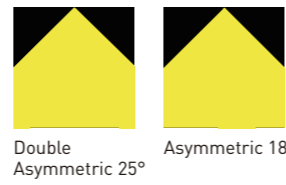
► SL253520



PROFILE COLORS



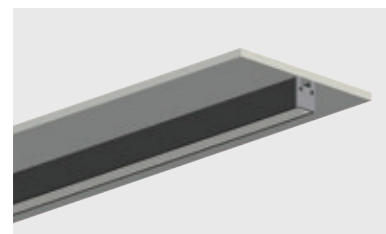
LENS



ACCESSORY



Swivel Bracket



Installation: Surface Mounted
 Length Available: 1-3m
 Profile Color: Silver Anodized, Black, White Powder Coating
 Lens: Extruded Clear
 Input Cable: Endcaps, Profile Bottom, Profile Sides
 Quick Female/Male Connectors Input cable & Junction Box available

OPTICAL SERIES

► SL253520

ORDERING CODE

Luminaire	Finish	Lens	Vol.	Power	CRI	CCT	Input Cable	Connector	Wiring	
SL253520	W White	A18 Asymmetric 18°	12	5.18W/m	90 90+	22-2200K, 24-2400K, 25-2500K 27-2700K, 30-3000K, 35-3500K 40-4000K, 50-5000K, 65-6500K	01 - Black&Red 22AWG	A - AMP male/female	B - Through profile back	
			24	6.00W/m						
			36	11.52W/m						
	B Black	A25 Asymmetric 25°	24	11.52W/m	95 95+	22-2200K, 25-2500K, 27-2700K 30-3000K, 35-3500K, 40-4000K 50-5000K, 65-6500K	02 - Black&White 22AWG	M - Molex male/female	E - Through Endcaps	
			36	14.40W/m						
			48	21.60W/m						
	S Silver	6011 60x110°	48	24.00W/m	TW	Tunable White - check your executive sales	03 - White PU protected 2 pin	D - DC male/female	S - Through profile side	
			48	24.00W/m						
			48	24.00W/m						
		9011 90x110°	1311 130x110°	48	28.80W/m	D2W	Dim To Warm - check your executive sales	04 - 3Pin cable for Tunable white		
				48	28.80W/m					
				48	28.80W/m					

RECOMMENDED LIGHT SOURCE

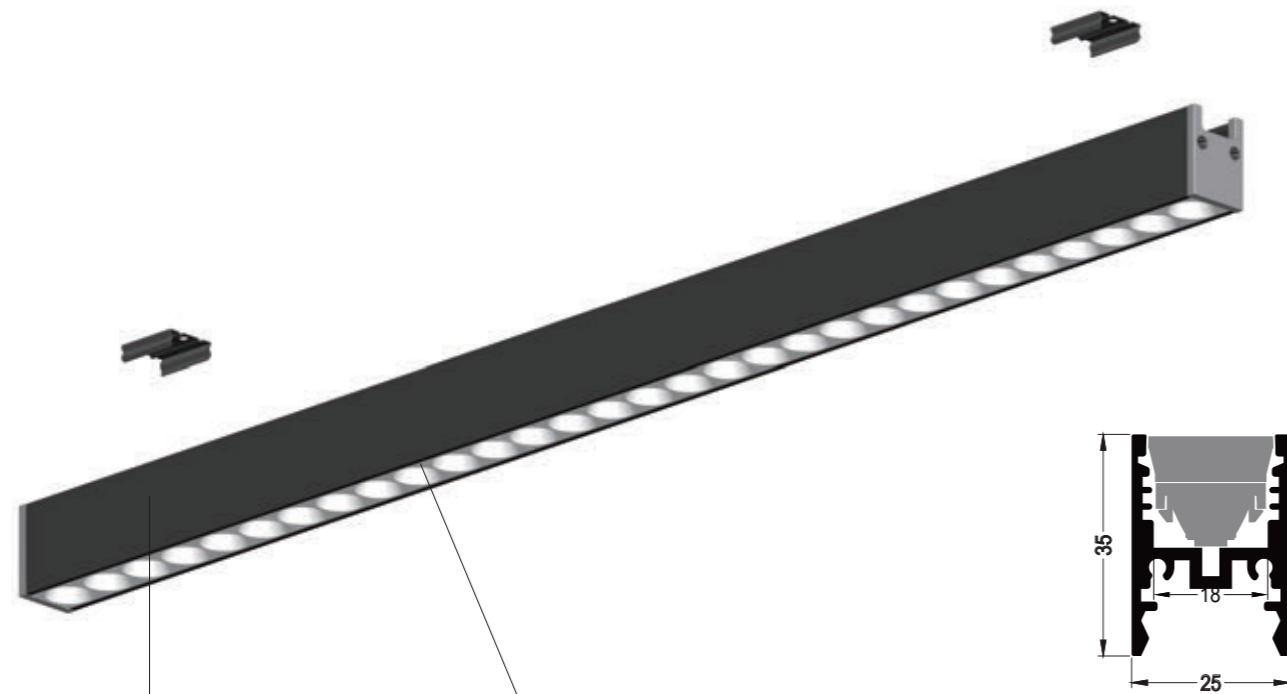
Performance	Part Code	Led Qty	Input Vol.	Power	CRI	Light Source Lumen	Diffuser Lens Lumen	Cuttable length	Max Run	Pcb Width
General	FN-2835T-120	120pcs/m	12/24VDC	14.40 W/m	90+	1512 lm/m	877lm/m	12V=25mm	12V=5m	10 mm
					95+	1282 lm/m	744lm/m	24V=50mm	24V=9m	
High Efficiency	FN-H2835T-128	128pcs/m	24VDC	11.52 W/m	90+	1613 lm/m	936lm/m	24V=62.5mm	24V=6m	10 mm
					95+	1475 lm/m	856lm/m			
	FN-H28350-160	160pcs/m	24VDC	24 W/m	90+	3480 lm/m	2241lm/m	50mm	3m	10 mm
					95+	1987 lm/m	1152lm/m			
FN-H2835T-160	160pcs/m	24VDC	14.40 W/m	90+	1843 lm/m	1069lm/m	24V=50mm	24V=5m	10 mm	
				95+	1843 lm/m	1069lm/m				
FN-H28350-192	192pcs/m	24VDC	28.8 W/m	90+	4176 lm/m	2289lm/m	41.7mm	2.5m	10 mm	
Long Run	LN-H2835T-112	112pcs/m	48VDC	11.52 W/m	90+	1336 lm/m	779lm/m	125mm	25m	10 mm
					95+	1106 lm/m	641lm/m			
	LN-H2835T-120	120pcs/m	24VDC	6.00 W/m	90+	588 lm/m	341lm/m	50mm	21m	10 mm
95+					486 lm/m	282lm/m				
Short Cut	FN-F2835A-120	120pcs/m	12VDC	21.60 W/m	90+	1922 lm/m	1115lm/m	16.7mm	3.5m	10 mm
					95+	1595 lm/m	925lm/m			

Remark: The tested data based on silver finish in 4000K, CRI 90+ light source.



OPTICAL SERIES

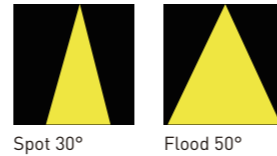
► SL253518



PROFILE COLORS



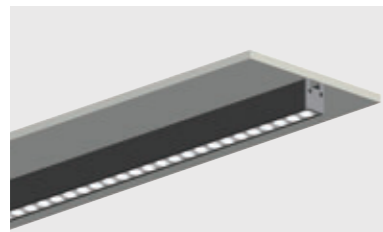
LENS



ACCESSORY



Swivel Bracket



Installation: Surface Mounted
 Length Available: 1-3m
 Profile Color: Silver Anodized, Black, White Powder Coating
 Lens: Loper & Reflector White, Black, Silver
 Input Cable: Endcaps, Profile Bottom, Profile Sides
 Quick Female/Male Connectors Input cable & Junction Box available

OPTICAL SERIES

► SL253518

ORDERING CODE

Luminaire	Finish	Lens	Lens Color	Vol.	Power	CRI	CCT	Input Cable	Connector	Wiring
SL253518	W White	S3 Spot 30°	W White	24 24VDC	18W/1.2m	90 - 90+ 95 - 95+	30 - 3000K 40 - 4000K 50 - 5000K 65 - 6500K	01 - Black&Red 22AWG 02 - Black&White 22AWG 03 - White PU protected 2 pin 04 - 3Pin cable for Tunable white	A - AMP male/female M - Molex male/female D - DC male/female	B - Through profile back E - Through Endcaps S - Through profile side

RECOMMENDED LIGHT SOURCE

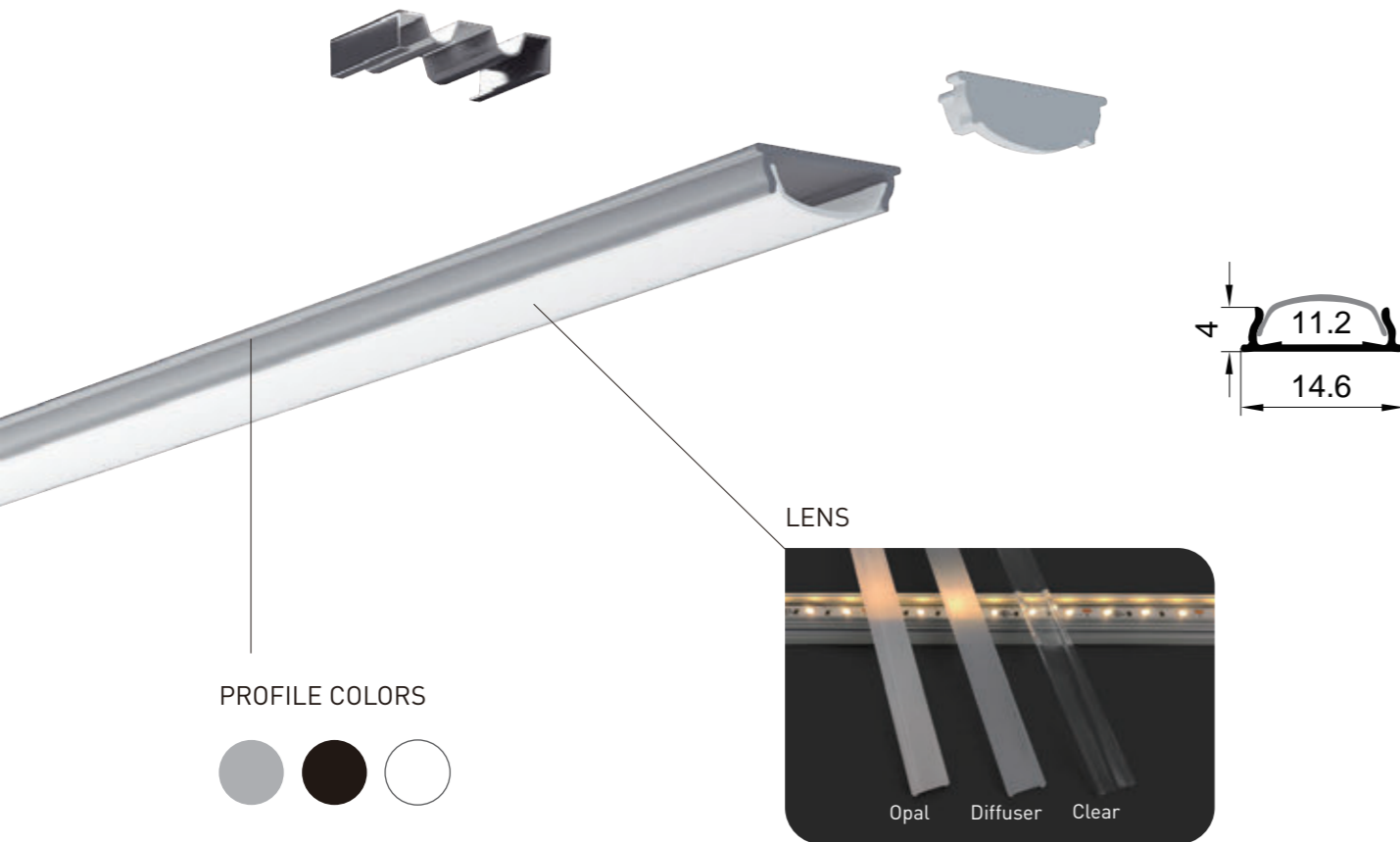
Performance	Part Code	Led Qty	Input Vol.	Power	CRI	Light Source Lumen	Diffuser Lens Lumen	Cuttable length	Max Run	Pcb Width
Rigid PCBA	RD-2835-60	60pcs /1.2m	24VDC	18 W / 1.2m	90+ 95+	2520 lm/m 2142 lm/m	1710 lm/m 1453 lm/m	300mm	3m	17 mm

Remark: The tested data based on silver finish in 4000K, CRI 90+ light source.



BENDING SERIES

► SL140711



Installation: Surface Mounted
 Length Available: 1-3m
 Profile Color: Silver, Black Anodized, White Powder Coating
 Lens: Opal, Diffuser, Clear
 Input Cable: Endcaps, Profile Bottom, Profile Sides
 Quick Female/Male Connectors Input cable & Junction Box available

BENDING SERIES

► SL140711

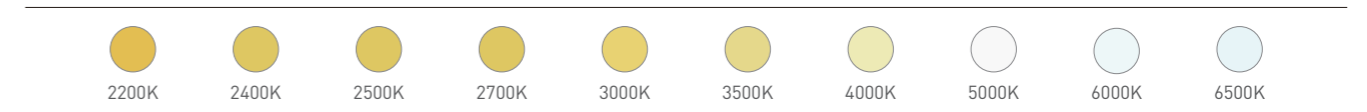
ORDERING CODE

Luminaire	Finish	Lens	Vol.	Power	CRI	CCT	Input Cable	Connector	Wiring
SL140711	W White	D Diffuser	24 24VDC	16.42W/m	90 90+	22-2200K , 24-2400K 25-2500K , 27-2700K 30-3000K , 35-3500K 40-4000K , 50-5000K 65-6500K	01 - Black&Red 22AWG 02 - Black&White 22AWG 03 - White PU protected 2 pin 04 - 3Pin cable for Tunable white	A - AMP male/female M - Molex male/female D - DC male/female	B - Through profile back E - Through Endcaps S - Through profile side
	B Black	O Opal							
	S Silver	C Clear							
	TW	Tunable White - check your executive sales							
D2W	Dim To Warm - check your executive sales								

RECOMMENDED LIGHT SOURCE

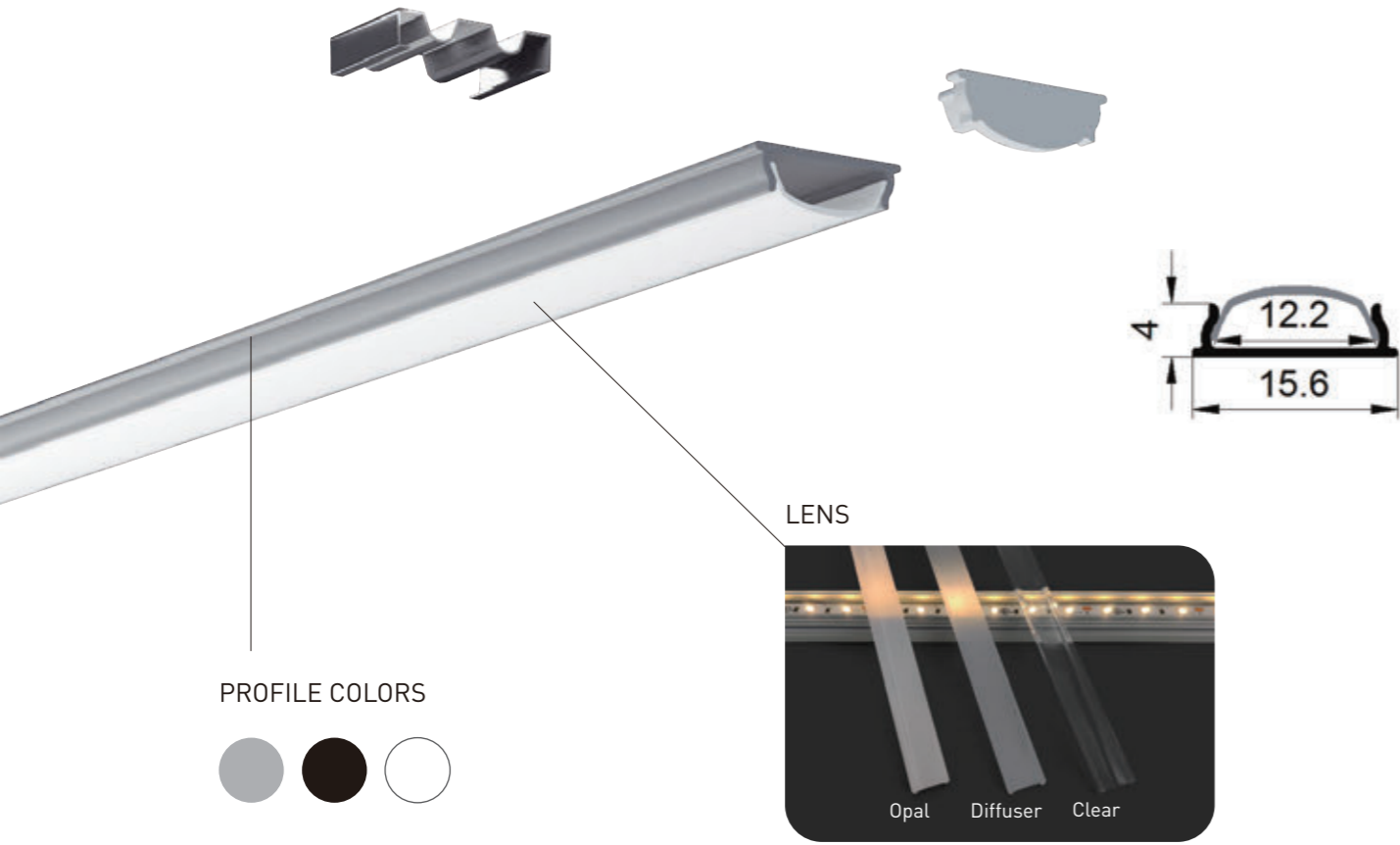
Performance	Part Code	Led Qty	Input Vol.	Power	CRI	Light Source Lumen	Diffuser Lens Lumen	Cutttable length	Max Run	Pcb Width
General	FN-2016-266	266pcs/m	24VDC	16.42W/m	90+	1700 lm/m	1207lm/m	26.3mm	3m	10mm

Remark: The tested data based on silver finish in 4000K, CRI 90+ light source.



BENDING SERIES

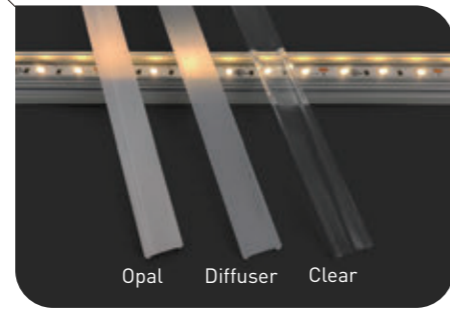
► SL150712



PROFILE COLORS



LENS



Installation: Surface Mounted
 Length Available: 1-3m
 Profile Color: Silver, Black Anodized, White Powder Coating
 Lens: Opal, Diffuser, Clear
 Input Cable: Endcaps, Profile Bottom, Profile Sides
 Quick Female/Male Connectors Input cable & Junction Box available

BENDING SERIES

► SL150712

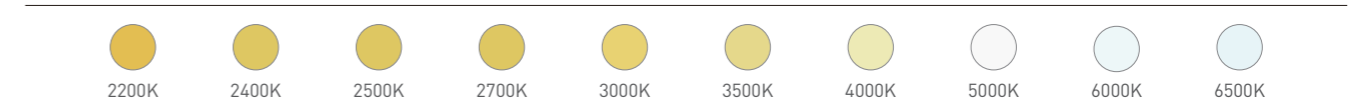
ORDERING CODE

Luminaire	Finish	Lens	Vol.	Power	CRI	CCT	Input Cable	Connector	Wiring
SL150712	W White	D Diffuser	24 24VDC	16.42W/m	90 90+	22-2200K , 24-2400K 25-2500K , 27-2700K 30-3000K , 35-3500K 40-4000K , 50-5000K 65-6500K	01 - Black&Red 22AWG	A - AMP male/female	B - Through profile back
	B Black	O Opal					02 - Black&White 22AWG	M - Molex male/female	E - Through Endcaps
	S Silver	C Clear					03 - White PU protected 2 pin	D - DC male/female	S - Through profile side
					TW	Tunable White - check your executive sales			
					D2W	Dim To Warm - check your executive sales	04 - 3Pin cable for Tunable white		

RECOMMENDED LIGHT SOURCE

Performance	Part Code	Led Qty	Input Vol.	Power	CRI	Light Source Lumen	Diffuser Lens Lumen	Cuttable length	Max Run	Pcb Width
General	FN-2016-266	266pcs/m	24VDC	16.42W/m	90+	1700 lm/m	lm/m	26.3mm	3m	10mm

Remark: The tested data based on silver finish in 4000K, CRI 90+ light source.

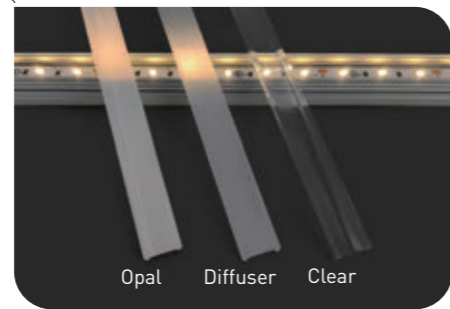


BENDING SERIES

► SL180715



LENS



PROFILE COLORS



Installation: Surface Mounted
 Length Available: 1-3m
 Profile Color: Silver, Black Anodized, White Powder Coating
 Lens: Opal, Diffuser, Clear
 Input Cable: Endcaps, Profile Bottom, Profile Sides
 Quick Female/Male Connectors Input cable & Junction Box available

BENDING SERIES

► SL180715

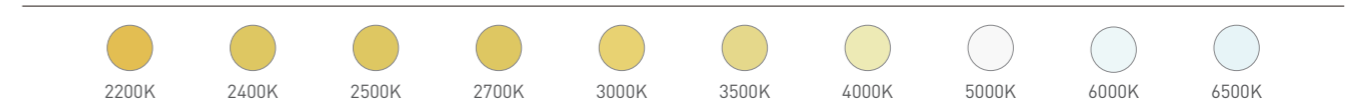
ORDERING CODE

Luminaire	Finish	LENS	Vol.	Power	CRI	CCT	Input Cable	Connector	Wiring
SL180715	W White	D Diffuser	24 24VDC	16.42W/m	90 90+	22-2200K , 24-2400K 25-2500K , 27-2700K 30-3000K , 35-3500K 40-4000K , 50-5000K 65-6500K	01 - Black&Red 22AWG 02 - Black&White 22AWG 03 - White PU protected 2 pin 04 - 3Pin cable for Tunable white	A - AMP male/female M - Molex male/female D - DC male/female	B - Through profile back E - Through Endcaps S - Through profile side
	B Black	O Opal							
	S Silver	C Clear							
					TW	Tunable White - check your executive sales			
					D2W	Dim To Warm - check your executive sales			

RECOMMENDED LIGHT SOURCE

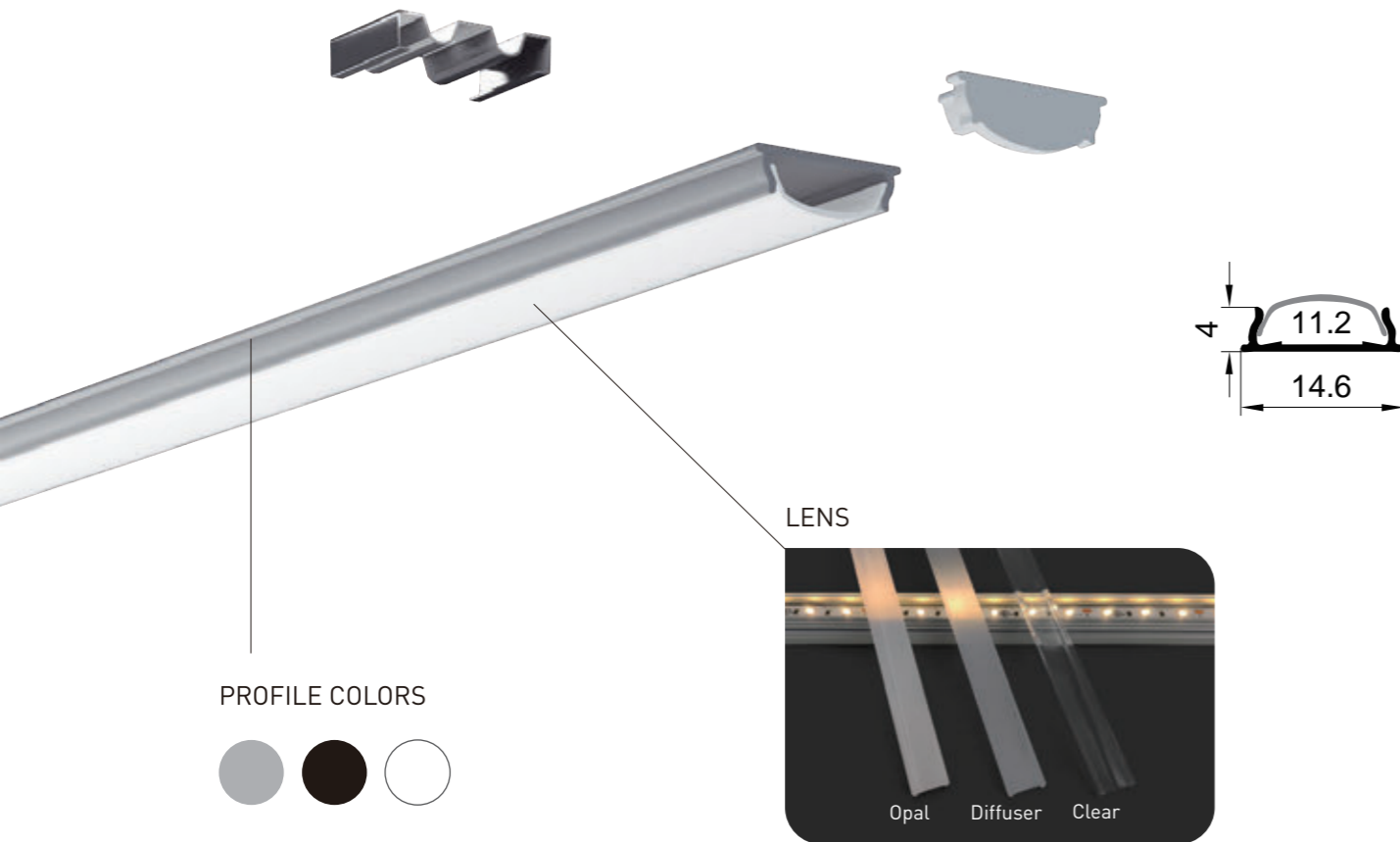
Performance	Part Code	Led Qty	Input Vol.	Power	CRI	Light Source Lumen	Diffuser Lens Lumen	Cutttable length	Max Run	Pcb Width
General	FN-2016-266	266pcs/m	24VDC	16.42W/m	90+	1700 lm/m	lm/m	26.3mm	3m	10mm

Remark: The tested data based on silver finish in 4000K, CRI 90+ light source.



BENDING SERIES

► SL140711



Installation: Surface Mounted
 Length Available: 1-3m
 Profile Color: Silver, Black Anodized, White Powder Coating
 Lens: Opal, Diffuser, Clear
 Input Cable: Endcaps, Profile Bottom, Profile Sides
 Quick Female/Male Connectors Input cable & Junction Box available

BENDING SERIES

► SL140711

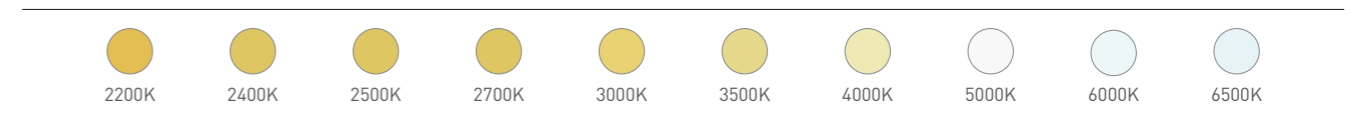
ORDERING CODE

Luminaire	Finish	Lens	Vol.	Power	CRI	CCT	Input Cable	Connector	Wiring
SL140711	W White	D Diffuser	24 24VDC	16.42W/m	90 90+	22-2200K , 24-2400K 25-2500K , 27-2700K 30-3000K , 35-3500K 40-4000K , 50-5000K 65-6500K	01 - Black&Red 22AWG 02 - Black&White 22AWG 03 - White PU protected 2 pin 04 - 3Pin cable for Tunable white	A - AMP male/female M - Molex male/female D - DC male/female	B - Through profile back E - Through Endcaps S - Through profile side
	B Black	O Opal							
	S Silver	C Clear							
	TW	Tunable White - check your executive sales							
D2W	Dim To Warm - check your executive sales								

RECOMMENDED LIGHT SOURCE

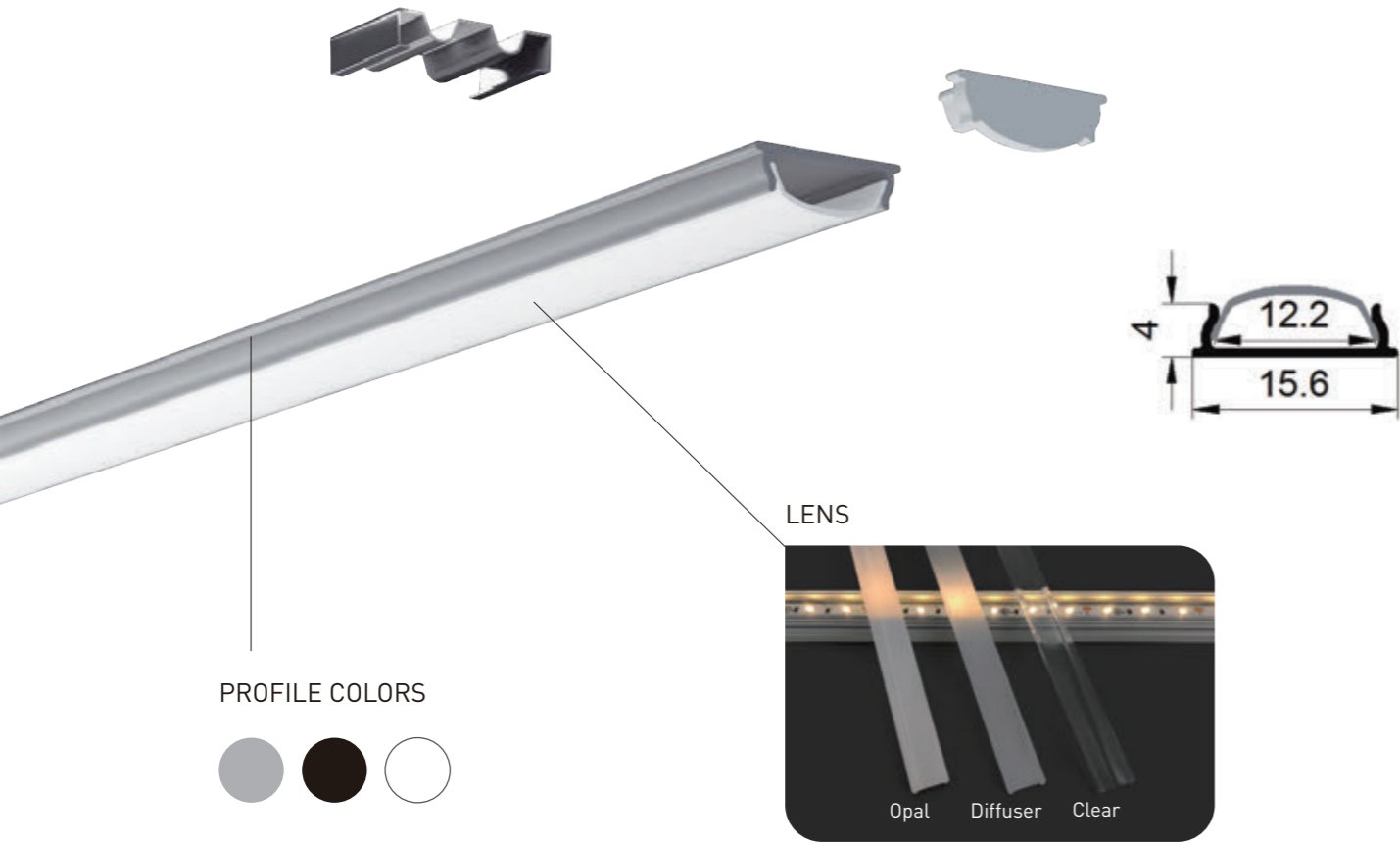
Performance	Part Code	Led Qty	Input Vol.	Power	CRI	Light Source Lumen	Diffuser Lens Lumen	Cuttable length	Max Run	Pcb Width
General	FN-2016-266	266pcs/m	24VDC	16.42W/m	90+	1700 lm/m	1207lm/m	26.3mm	3m	10mm

Remark: The tested data based on silver finish in 4000K, CRI 90+ light source.



BENDING SERIES

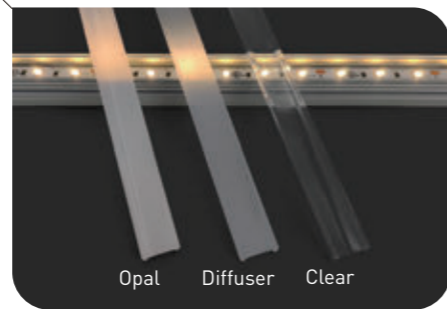
► SL150712



PROFILE COLORS



LENS



Installation: Surface Mounted
 Length Available: 1-3m
 Profile Color: Silver, Black Anodized, White Powder Coating
 Lens: Opal, Diffuser, Clear
 Input Cable: Endcaps, Profile Bottom, Profile Sides
 Quick Female/Male Connectors Input cable & Junction Box available

BENDING SERIES

► SL150712

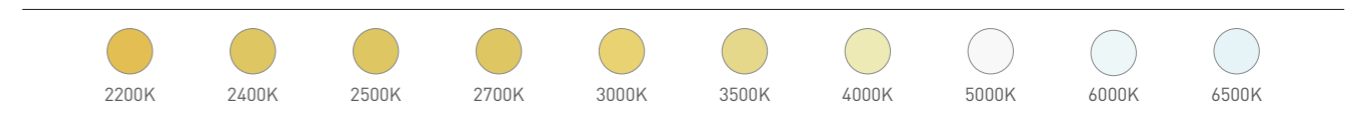
ORDERING CODE

Luminaire	Finish	Lens	Vol.	Power	CRI	CCT	Input Cable	Connector	Wiring
SL150712	W White	D Diffuser	24 24VDC	16.42W/m	90 90+	22-2200K , 24-2400K 25-2500K , 27-2700K 30-3000K , 35-3500K 40-4000K , 50-5000K 65-6500K	01 - Black&Red 22AWG	A - AMP male/female	B - Through profile back
	B Black	O Opal					02 - Black&White 22AWG	M - Molex male/female	E - Through Endcaps
	S Silver	C Clear					03 - White PU protected 2 pin	D - DC male/female	S - Through profile side
					TW	Tunable White - check your executive sales			
					D2W	Dim To Warm - check your executive sales	04 - 3Pin cable for Tunable white		

RECOMMENDED LIGHT SOURCE

Performance	Part Code	Led Qty	Input Vol.	Power	CRI	Light Source Lumen	Diffuser Lens Lumen	Cuttable length	Max Run	Pcb Width
General	FN-2016-266	266pcs/m	24VDC	16.42W/m	90+	1700 lm/m	lm/m	26.3mm	3m	10mm

Remark: The tested data based on silver finish in 4000K, CRI 90+ light source.

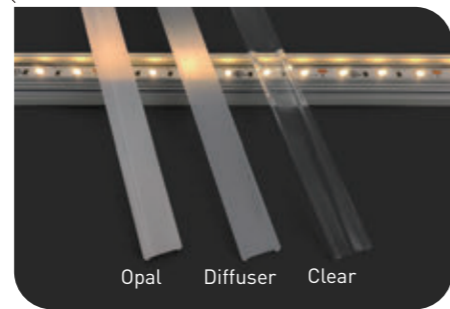


BENDING SERIES

► SL180715



LENS



PROFILE COLORS



Installation: Surface Mounted
 Length Available: 1-3m
 Profile Color: Silver, Black Anodized, White Powder Coating
 Lens: Opal, Diffuser, Clear
 Input Cable: Endcaps, Profile Bottom, Profile Sides
 Quick Female/Male Connectors Input cable & Junction Box available

BENDING SERIES

► SL180715

ORDERING CODE

Luminaire	Finish	LENS	Vol.	Power	CRI	CCT	Input Cable	Connector	Wiring
SL180715	W White	D Diffuser	24 24VDC	16.42W/m	90 90+	22-2200K , 24-2400K 25-2500K , 27-2700K 30-3000K , 35-3500K 40-4000K , 50-5000K 65-6500K	01 - Black&Red 22AWG	A - AMP male/female	B - Through profile back
	B Black	O Opal					02 - Black&White 22AWG	M - Molex male/female	E - Through Endcaps
	S Silver	C Clear					03 - White PU protected 2 pin	D - DC male/female	S - Through profile side
					TW	Tunable White - check your executive sales			
					D2W	Dim To Warm - check your executive sales	04 - 3Pin cable for Tunable white		

RECOMMENDED LIGHT SOURCE

Performance	Part Code	Led Qty	Input Vol.	Power	CRI	Light Source Lumen	Diffuser Lens Lumen	Cutttable length	Max Run	Pcb Width
General	FN-2016-266	266pcs/m	24VDC	16.42W/m	90+	1700 lm/m	lm/m	26.3mm	3m	10mm

Remark: The tested data based on silver finish in 4000K, CRI 90+ light source.

