

Backlit waterproof LED modules

VTM-STL-H

Top grade 2835 SMD LED brings high brightness, wide angle lens, stable and uniform light distribution for letters and illuminated signs.

VTM-STL-H

General specifications

Input voltage	12/24V DC
Efficacy (lm/W)	160
Ra	≥70
IP class	IP67
Lifetime	50 000H L70
LED type	2835 SMD
Certificates	CE/RoHS/UL

Applications

- Letters
- Illuminated signs
- Creative lighting art



Key features



Outdoor use



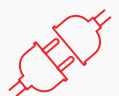
Cuttable every LED



5 years warranty



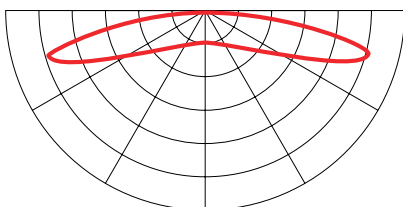
Dimmable



Unisex connectors, easy connection and installation

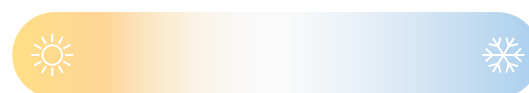
Light distribution graph

Beam angle 170°



Available color temperature

Other color options available on request

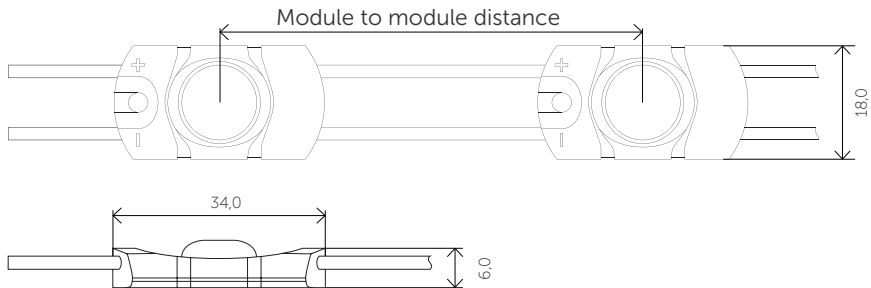


6500K

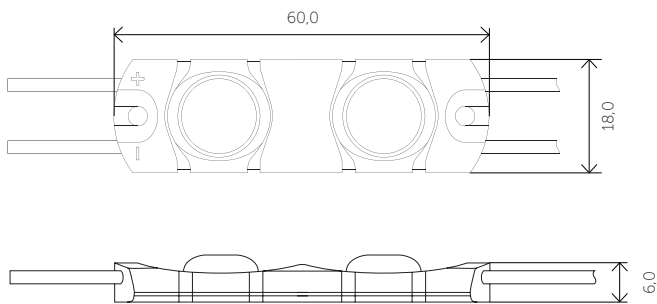
Profile drawings

Unit:mm

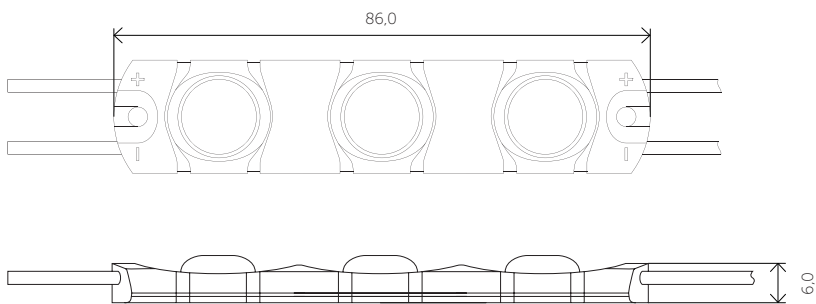
VTM-STL-H1



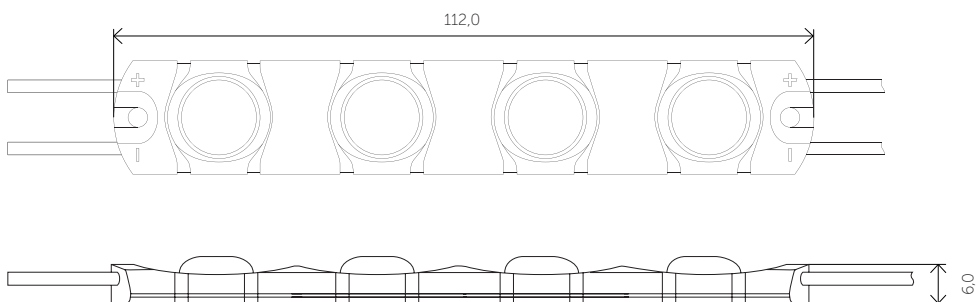
VTM-STL-H2



VTM-STL-H3



VTM-STL-H4



Installation reference

12V

Article name	Surface Material	Depth(H) (mm)	Illumination (lux)	Uniformity	Density (pcs/m ²)	Spacing (X*Y)mm	Power Density (W/m ²)
VTM-STL-H-1	White Soft Film	50	5190-5610	0.94	12*12	80*80	52
		60	3280-3880	0.85	10*10	100*100	36
		80	2050-2360	0.87	7*8	140*120	21
		100	1591-1772	0.90	6*7	160*140	16
		120	1440-1532	0.94	6*7	160*140	16
VTM-STL-H-2	White Soft Film	60	6810-7560	0.90	10*10	100*100	72
		80	3890-4470	0.87	7*8	140*120	41
		100	2450-3020	0.81	5*6	180*160	22
		120	1930-2210	0.87	5*5	200*180	18
		150	1734-1927	0.90	5*5	200*180	18
		180	1476-1641	0.90	5*5	200*180	18
VTM-STL-H-3	White Soft Film	60	9820-11750	0.84	10*12	100*80	130
		80	5250-5710	0.92	7*7	140*140	53
		100	3100-3580	0.87	5*5	180*180	27
		120	1783-2140	0.83	4*4	250*250	18
		150	1642-1857	0.88	4*4	250*250	18
		180	1513-1648	0.92	4*4	250*250	18

24 V

Article name	Surface Material	Depth(H) (mm)	Illumination (lux)	Uniformity	Density (pcs/m ²)	Spacing (X*Y)mm	Power Density (W/m ²)
VTM-STL-H-2	White Soft Film	60	6420-8020	0.80	10*10	100*100	72
		80	4160-5220	0.80	8*8	120*120	46
		100	2840-3660	0.78	6*7	160*140	30
		120	2170-2630	0.83	5*6	180*160	22
		150	1843-2170	0.85	5*5	180*180	18
		180	1674-1879	0.89	5*5	180*180	18
VTM-STL-H-4	White Soft Film	80	7470-8760	0.85	6*8	160*120	69
		100	5070-6210	0.82	6*6	160*160	52
		120	3410-4370	0.78	5*5	200*200	36
		150	2430-2880	0.84	4*4	250*250	23
		180	2240-2630	0.85	4*4	250*250	23

Safety & operation instructions

- Requires proper installation by qualified people
- All connections must be made while disconnected from the main power
- For indoor installation environment only
- Operating temperature range: -20°C to 60°C
- Storage temperature range: -20°C to 70°C
- LED bars can be fixed with double-sided tape or screws, clean surface required
- 12/24V DC input: safe, low voltage loss & longer run

Specifications

Article name	Input voltage	Power	Lumen output	Efficacy (lm/W)	Maximum series connections (pcs)	(mm)
VTM-STL-H-1 65K	12V (DC)	0.36W	58 lm	160	50	158
VTM-STL-H-2 65K	12V (DC)	0.72W	115 lm	160	30	204
VTM-STL-H-3 65K	12V (DC)	1.08W	173 lm	160	25	250
VTM-STL-H-2 65K	24V (DC)	0.72W	115 lm	160	50	204
VTM-STL-H-4 65K	24V (DC)	1.44W	230 lm	160	30	296

